

REV	DESCRIPTION	DATE
-	INITIAL REVISION	10-MAR-2017
A	DRAWING UPDATED ON SH14, SH15, SH16, SH18, SH27, SH32, SH60, SH91, SH110, SH112, SH113, SH114, SH115, SH129, SH130, SH131, SH132, SH133, SH134, SH135, SH136, SH137, SH138, SH139 AND SH140.	29-MAR-2017
B	DRAWING UPDATED ON SH21.	29-NOV-2017
C	DRAWING UPDATED ON SH127 AND SH128.	07-DEC-2017
D	CUT LINES ADDED THROUGHOUT DRAWING TO ASSIST INSTALLATION.	11-JAN-2018

PARTS -1, -23, -43, -49, -63, -65, -73, -81, -83, -85, -307, -95, -97, -105, -117, -119, -121, -123, -149, -155, -165, -179, -193, -207, -213, -217, -219, -225, -227, -251, -253, -267, -269 AND -279 UPDATED.

PARTS -341, -309, -311, -313, -315, 317, -319, -321, -323, -325, -327, -329, -331, -333, -335, -337, -339 AND -343 ADDED.

QUANTITIES FOR NEW PARTS ADDED.

QUANTITIES FOR -1, -11, -23, -75, -81, -93, -105, -165, -179, -193, -237, 287, -291, -295 AND -299 UPDATED.

FN2 AND FN3 ADDED.

GN11 UPDATED.

GN13 REMOVED.

INDEX																							
SHEET	REV	DESCRIPTION	NHA	SHEET	REV	DESCRIPTION	NHA	SHEET	REV	DESCRIPTION	NHA	SHEET	REV	DESCRIPTION	NHA	SHEET	REV	DESCRIPTION	NHA	SHEET	REV	DESCRIPTION	NHA
0	D	INDEX	-	32	D	DETAIL -61	-	64	D	DETAIL -125	-	96	D	DETAIL -197	-	128	D	DETAIL -261	-	160	D	DETAIL -329	-
1	D	PARTS LIST	-	33	D	DETAIL -63	-	65	D	DETAIL -127	-	97	D	DETAIL -199	-	129	D	DETAIL -263	-	161	D	DETAIL -331	-
2	D	NOTES	-	34	D	DETAIL -65	-	66	D	DETAIL -129	-	98	D	DETAIL -201	-	130	D	DETAIL -265	-	162	D	DETAIL -333	-
3	D	DETAIL -1	-	35	D	DETAIL -67	-	67	D	DETAIL -131	-	99	D	DETAIL -203	-	131	D	DETAIL -267	-	163	D	DETAIL -335	-
4	D	DETAIL -3	-	36	D	DETAIL -69	-	68	D	DETAIL -133	-	100	D	DETAIL -205	-	132	D	DETAIL -269	-	164	D	DETAIL -337	-
5	D	DETAIL -5	-	37	D	DETAIL -71	-	69	D	DETAIL -135	-	101	D	DETAIL -207	-	133	D	DETAIL -271	-	165	D	DETAIL -339	-
6	D	DETAIL -303	-	38	D	DETAIL -73	-	70	D	DETAIL -137	-	102	D	DETAIL -209	-	134	D	DETAIL -273	-	166	D	DETAIL -343	-
7	D	DETAIL -11	-	39	D	DETAIL -75	-	71	D	DETAIL -139	-	103	D	DETAIL -211	-	135	D	DETAIL -275	-				
8	D	DETAIL -13	-	40	D	DETAIL -77	-	72	D	DETAIL -149	-	104	D	DETAIL -213	-	136	D	DETAIL -277	-				
9	D	DETAIL -15	-	41	D	DETAIL -79	-	73	D	DETAIL -151	-	105	D	DETAIL -215	-	137	D	DETAIL -279	-				
10	D	DETAIL -305	-	42	D	DETAIL -81	-	74	D	DETAIL -153	-	106	D	DETAIL -217	-	138	D	DETAIL -281	-				
11	D	DETAIL -19	-	43	D	DETAIL -83	-	75	D	DETAIL -155	-	107	D	DETAIL -219	-	139	D	DETAIL -283	-				
12	D	DETAIL -21	-	44	D	DETAIL -85	-	76	D	DETAIL -157	-	108	D	DETAIL -221	-	140	D	DETAIL -285	-				
13	D	DETAIL -23	-	45	D	DETAIL -87	-	77	D	DETAIL -159	-	109	D	DETAIL -223	-	141	D	DETAIL -287	-				
14	D	DETAIL -25	-	46	D	DETAIL -307	-	78	D	DETAIL -161	-	110	D	DETAIL -225	-	142	D	DETAIL -289	-				
15	D	DETAIL -27	-	47	D	DETAIL -91	-	79	D	DETAIL -163	-	111	D	DETAIL -227	-	143	D	DETAIL -291	-				
16	D	DETAIL -29	-	48	D	DETAIL -93	-	80	D	DETAIL -165	-	112	D	DETAIL -229	-	144	D	DETAIL -293	-				
17	D	DETAIL -31	-	49	D	DETAIL -95	-	81	D	DETAIL -167	-	113	D	DETAIL -231	-	145	D	DETAIL -295	-				
18	D	DETAIL -33	-	50	D	DETAIL -97	-	82	D	DETAIL -169	-	114	D	DETAIL -233	-	146	D	DETAIL -297	-				
19	D	DETAIL -35	-	51	D	DETAIL -99	-	83	D	DETAIL -171	-	115	D	DETAIL -235	-	147	D	DETAIL -299	-				
20	D	DETAIL -37	-	52	D	DETAIL -101	-	84	D	DETAIL -173	-	116	D	DETAIL -237	-	148	D	DETAIL -301	-				
21	D	DETAIL -39	-	53	D	DETAIL -103	-	85	D	DETAIL -175	-	117	D	DETAIL -239	-	149	D	DETAIL -303	-				
22	D	DETAIL -41	-	54	D	DETAIL -105	-	86	D	DETAIL -177	-	118	D	DETAIL -241	-	150	D	DETAIL -305	-				
23	D	DETAIL -43	-	55	D	DETAIL -107	-	87	D	DETAIL -179	-	119	D	DETAIL -243	-	151	D	DETAIL -307	-				
24	D	DETAIL -45	-	56	D	DETAIL -109	-	88	D	DETAIL -181	-	120	D	DETAIL -245	-	152	D	DETAIL -309	-				
25	D	DETAIL -47	-	57	D	DETAIL -111	-	89	D	DETAIL -183	-	121	D	DETAIL -247	-	153	D	DETAIL -311	-				
26	D	DETAIL -49	-	58	D	DETAIL -113	-	90	D	DETAIL -185	-	122	D	DETAIL -249	-	154	D	DETAIL -313	-				
27	D	DETAIL -51	-	59	D	DETAIL -115	-	91	D	DETAIL -187	-	123	D	DETAIL -251	-	155	D	DETAIL -315	-				
28	D	DETAIL -53	-	60	D	DETAIL -117	-	92	D	DETAIL -189	-	124	D	DETAIL -253	-	156	D	DETAIL -317	-				
29	D	DETAIL -55	-	61	D	DETAIL -119	-	93	D	DETAIL -191	-	125	D	DETAIL -255	-	157	D	DETAIL -319	-				
30	D	DETAIL -57	-	62	D	DETAIL -121	-	94	D	DETAIL -193	-	126	D	DETAIL -257	-	158	D	DETAIL -321	-				
31	D	DETAIL -59	-	63	D	DETAIL -123	-	95	D	DETAIL -195	-	127	D	DETAIL -259	-	159	D	DETAIL -323	-				

UNLESS OTHERWISE SPECIFIED
DIMENSIONS ARE IN INCHES [MM]
TOLERANCES ARE:

.X ±.25 ±[6.35]	.XX ±.25 ±[6.35]	.XXX ±.25 ±[6.35]	ANGLE ±2°
-----------------------	------------------------	-------------------------	--------------

THIRD ANGLE PROJECTION

DO NOT SCALE DRAWING

THE INFORMATION CONTAINED HEREIN IS PROPRIETARY TO COMTECH AVIATION SERVICES AND SHALL NOT BE REPRODUCED OR DISCLOSED IN WHOLE OR IN PART OR USED FOR ANY DESIGN OR MANUFACTURE EXCEPT WHEN SUCH USER POSSESSES DIRECT, WRITTEN AUTHORIZATION FROM COMTECH AVIATION SERVICES.

CAD DRAWING NOT TO BE REVISED BY HAND

APPROVALS	DATE	APPROVALS	DATE
DRAWN A. CHONG 	11 JAN 2018	STRUCTURES N/A	
CHECKED F. WAHAB 	11 JAN 2018	SYSTEMS N/A	
INTERIORS N/A		APPROVED R. BLASCO 	11 JAN 2018

121 ALHAMBRA PLAZA
SUITE 1700, CORAL GABLES
FL 33134 USA
WWW.AERSALE.COM

DRAWING TITLE
**FOAM BLOCK - CENTER SECTION
767**

SIZE **A3** DRAWING NUMBER **AES-D0006** REV **D**

SCALE **NONE** DATASET **AES-D0006D** SHEET **0** OF **166**

43	AES-D0006-87	FOAM BLOCK	1
42	AES-D0006-85	FOAM BLOCK	1
41	AES-D0006-83	FOAM BLOCK	1
40	AES-D0006-81	FOAM BLOCK	1
39	AES-D0006-79	FOAM BLOCK	1
38	AES-D0006-77	FOAM BLOCK	1
37	AES-D0006-75	FOAM BLOCK	4
36	AES-D0006-73	FOAM BLOCK	1
35	AES-D0006-71	FOAM BLOCK	1
34	AES-D0006-69	FOAM BLOCK	1
33	AES-D0006-67	FOAM BLOCK	1
32	AES-D0006-65	FOAM BLOCK	1
31	AES-D0006-63	FOAM BLOCK	1
30	AES-D0006-61	FOAM BLOCK	1
29	AES-D0006-59	FOAM BLOCK	1
28	AES-D0006-57	FOAM BLOCK	1
27	AES-D0006-55	FOAM BLOCK	1
26	AES-D0006-53	FOAM BLOCK	1
25	AES-D0006-51	FOAM BLOCK	1
24	AES-D0006-49	FOAM BLOCK	1
23	AES-D0006-47	FOAM BLOCK	1
22	AES-D0006-45	FOAM BLOCK	1
21	AES-D0006-43	FOAM BLOCK	1
20	AES-D0006-41	FOAM BLOCK	1
19	AES-D0006-39	FOAM BLOCK	1
18	AES-D0006-37	FOAM BLOCK	1
17	AES-D0006-35	FOAM BLOCK	1
16	AES-D0006-33	FOAM BLOCK	1
15	AES-D0006-31	FOAM BLOCK	2
14	AES-D0006-29	FOAM BLOCK	1
13	AES-D0006-27	FOAM BLOCK	1
12	AES-D0006-25	FOAM BLOCK	1
11	AES-D0006-23	FOAM BLOCK	1
10	AES-D0006-21	FOAM BLOCK	1
9	AES-D0006-19	FOAM BLOCK	1
8	AES-D0006-305	FOAM BLOCK	1
7	AES-D0006-15	FOAM BLOCK	1
6	AES-D0006-13	FOAM BLOCK	1
5	AES-D0006-11	FOAM BLOCK	1
4	AES-D0006-303	FOAM BLOCK	1
3	AES-D0006-5	FOAM BLOCK	1
2	AES-D0006-3	FOAM BLOCK	1
1	AES-D0006-1	FOAM BLOCK	1
ITEM	PART NO.	DESCRIPTION	QTY

86	AES-D0006-181	FOAM BLOCK	1
85	AES-D0006-179	FOAM BLOCK	1
84	AES-D0006-177	FOAM BLOCK	1
83	AES-D0006-175	FOAM BLOCK	1
82	AES-D0006-173	FOAM BLOCK	1
81	AES-D0006-171	FOAM BLOCK	1
80	AES-D0006-169	FOAM BLOCK	1
79	AES-D0006-167	FOAM BLOCK	1
78	AES-D0006-165	FOAM BLOCK	1
77	AES-D0006-163	FOAM BLOCK	1
76	AES-D0006-161	FOAM BLOCK	1
75	AES-D0006-159	FOAM BLOCK	1
74	AES-D0006-157	FOAM BLOCK	1
73	AES-D0006-155	FOAM BLOCK	1
72	AES-D0006-153	FOAM BLOCK	1
71	AES-D0006-151	FOAM BLOCK	1
70	AES-D0006-149	FOAM BLOCK	1
69	AES-D0006-139	FOAM BLOCK	2
68	AES-D0006-137	FOAM BLOCK	2
67	AES-D0006-135	FOAM BLOCK	2
66	AES-D0006-133	FOAM BLOCK	2
65	AES-D0006-131	FOAM BLOCK	1
64	AES-D0006-129	FOAM BLOCK	1
63	AES-D0006-127	FOAM BLOCK	1
62	AES-D0006-125	FOAM BLOCK	1
61	AES-D0006-123	FOAM BLOCK	1
60	AES-D0006-121	FOAM BLOCK	1
59	AES-D0006-119	FOAM BLOCK	1
58	AES-D0006-117	FOAM BLOCK	1
57	AES-D0006-115	FOAM BLOCK	8
56	AES-D0006-113	FOAM BLOCK	1
55	AES-D0006-111	FOAM BLOCK	1
54	AES-D0006-109	FOAM BLOCK	1
53	AES-D0006-107	FOAM BLOCK	1
52	AES-D0006-105	FOAM BLOCK	1
51	AES-D0006-103	FOAM BLOCK	1
50	AES-D0006-101	FOAM BLOCK	1
49	AES-D0006-99	FOAM BLOCK	1
48	AES-D0006-97	FOAM BLOCK	1
47	AES-D0006-95	FOAM BLOCK	4
46	AES-D0006-93	FOAM BLOCK	47
45	AES-D0006-91	FOAM BLOCK	1
44	AES-D0006-307	FOAM BLOCK	1
ITEM	PART NO.	DESCRIPTION	QTY

129	AES-D0006-267	FOAM BLOCK	1
128	AES-D0006-265	FOAM BLOCK	1
127	AES-D0006-263	FOAM BLOCK	1
126	AES-D0006-261	FOAM BLOCK	1
125	AES-D0006-259	FOAM BLOCK	1
124	AES-D0006-257	FOAM BLOCK	1
123	AES-D0006-255	FOAM BLOCK	1
122	AES-D0006-253	FOAM BLOCK	1
121	AES-D0006-251	FOAM BLOCK	1
120	AES-D0006-249	FOAM BLOCK	1
119	AES-D0006-247	FOAM BLOCK	1
118	AES-D0006-245	FOAM BLOCK	1
117	AES-D0006-243	FOAM BLOCK	1
116	AES-D0006-241	FOAM BLOCK	1
115	AES-D0006-239	FOAM BLOCK	1
114	AES-D0006-237	FOAM BLOCK	34
113	AES-D0006-235	FOAM BLOCK	1
112	AES-D0006-233	FOAM BLOCK	1
111	AES-D0006-231	FOAM BLOCK	2
110	AES-D0006-229	FOAM BLOCK	1
109	AES-D0006-227	FOAM BLOCK	1
108	AES-D0006-225	FOAM BLOCK	1
107	AES-D0006-223	FOAM BLOCK	1
106	AES-D0006-221	FOAM BLOCK	1
105	AES-D0006-219	FOAM BLOCK	1
104	AES-D0006-217	FOAM BLOCK	1
103	AES-D0006-215	FOAM BLOCK	1
102	AES-D0006-213	FOAM BLOCK	1
101	AES-D0006-211	FOAM BLOCK	1
100	AES-D0006-209	FOAM BLOCK	1
99	AES-D0006-207	FOAM BLOCK	1
98	AES-D0006-205	FOAM BLOCK	1
97	AES-D0006-203	FOAM BLOCK	1
96	AES-D0006-201	FOAM BLOCK	1
95	AES-D0006-199	FOAM BLOCK	1
94	AES-D0006-197	FOAM BLOCK	1
93	AES-D0006-195	FOAM BLOCK	1
92	AES-D0006-193	FOAM BLOCK	1
91	AES-D0006-191	FOAM BLOCK	1
90	AES-D0006-189	FOAM BLOCK	1
89	AES-D0006-187	FOAM BLOCK	1
88	AES-D0006-185	FOAM BLOCK	1
87	AES-D0006-183	FOAM BLOCK	1
ITEM	PART NO.	DESCRIPTION	QTY

164	AES-D0006-343	FOAM BLOCK	2
163	AES-D0006-341	FOAM BLOCK	1
162	AES-D0006-339	FOAM BLOCK	1
161	AES-D0006-337	FOAM BLOCK	1
160	AES-D0006-335	FOAM BLOCK	1
159	AES-D0006-333	FOAM BLOCK	1
158	AES-D0006-331	FOAM BLOCK	1
157	AES-D0006-329	FOAM BLOCK	1
156	AES-D0006-327	FOAM BLOCK	1
155	AES-D0006-325	FOAM BLOCK	1
154	AES-D0006-323	FOAM BLOCK	1
153	AES-D0006-321	FOAM BLOCK	1
152	AES-D0006-319	FOAM BLOCK	1
151	AES-D0006-317	FOAM BLOCK	1
150	AES-D0006-315	FOAM BLOCK	1
149	AES-D0006-313	FOAM BLOCK	2
148	AES-D0006-311	FOAM BLOCK	1
147	AES-D0006-309	FOAM BLOCK	1
146	AES-D0006-301	FOAM BLOCK	1
145	AES-D0006-299	FOAM BLOCK	2
144	AES-D0006-297	FOAM BLOCK	1
143	AES-D0006-295	FOAM BLOCK	2
142	AES-D0006-293	FOAM BLOCK	1
141	AES-D0006-291	FOAM BLOCK	2
140	AES-D0006-289	FOAM BLOCK	1
139	AES-D0006-287	FOAM BLOCK	2
138	AES-D0006-285	FOAM BLOCK	1
137	AES-D0006-283	FOAM BLOCK	1
136	AES-D0006-281	FOAM BLOCK	1
135	AES-D0006-279	FOAM BLOCK	1
134	AES-D0006-277	FOAM BLOCK	1
133	AES-D0006-275	FOAM BLOCK	1
132	AES-D0006-273	FOAM BLOCK	1
131	AES-D0006-271	FOAM BLOCK	1
130	AES-D0006-269	FOAM BLOCK	1
ITEM	PART NO.	DESCRIPTION	QTY



DRAWING NUMBER

AES-D0006

SIZE	SCALE	SHEET	OF	REVISION
A3	NONE	1	166	D

GENERAL NOTES:

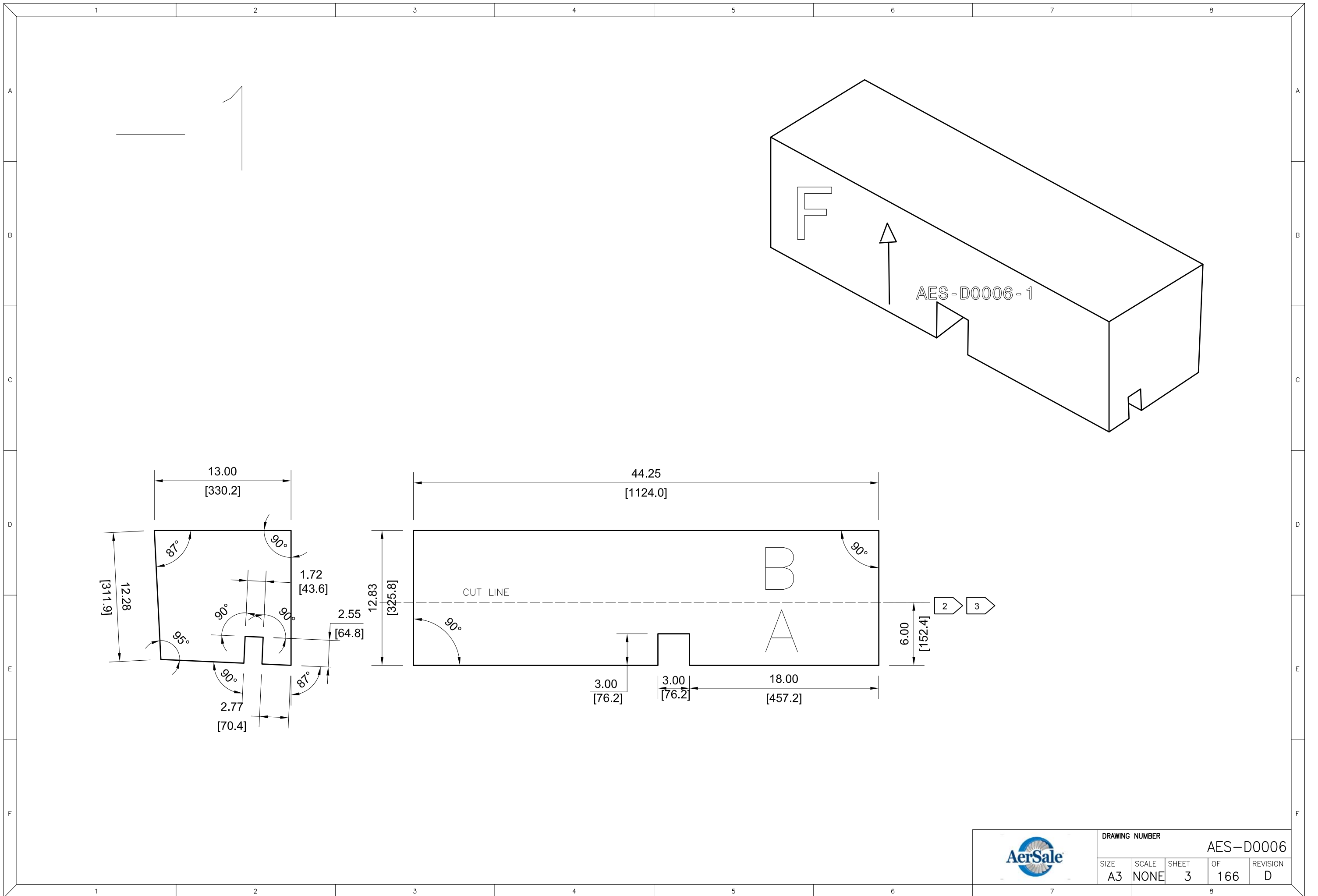
- GN1 FOAM TO BE IN ACCORDANCE WITH MIL SPEC MIL-PRF-87260B, CLASS 2 - GRADE 1 (COARSE PORE).
- GN2 IF BULK FOAM MATERIAL IS PROVIDED, THE FOAM SHOULD BE RECEIVED IN A MULTIPACKED CONFIGURATION FROM THE SUPPLIER TO ENSURE NO CONTAMINATION. MULTIPLE BUNS MAY BE CONTAINED IN A PACKAGE BUT EACH BUN MUST BE INDIVIDUALLY PACKED. UPON RECEIPT OF THE PACKAGES, CHECK THE PACKAGING FOR DAMAGE. IF DAMAGE IS PRESENT, CHECK THE FOAM FOR DAMAGE / CONTAMINATION. REFER TO SAE SPECIFICATION AIR4170 REV. B, PARAGRAPH 3.7.1 FOR INFORMATION ON PACKAGING DAMAGE.
- GN3 STORAGE OF THE FOAM MUST BE IN UNDAMAGED PACKAGING AWAY FROM ULTRAVIOLET LIGHT AND IN AN ENVIRONMENT WHERE CONTAMINATION IS AVOIDED. REFER TO SAE SPECIFICATION AIR4170 REV. B, PARAGRAPH 3.7.1 FOR INFORMATION ON PACKAGING DAMAGE.
- GN4 THE FABRICATOR'S MANUFACTURING AREA SHOULD MEET REQUIRED CLEANLINESS TO CONTROL CONTAMINANTS THAT WOULD ADVERSELY AFFECT THE MATERIAL OR ITS FUNCTIONALITY. IT IS EXTREMELY IMPORTANT TO CONTROL SUCH CONTAMINANTS AS FOREIGN PARTICLES, METAL PARTICLES, DUST, SUNLIGHT, WATER, WATER VAPOR STEAM, HARMFUL LIQUIDS, AND HARMFUL GASES. MANUFACTURING MANAGEMENT SHOULD ADDRESS THE REQUIREMENTS IDENTIFIED IN SAE SPECIFICATION AIR4170 REV. B, PARAGRAPH 3.7.3.
- GN5 CUTTING AND SHAPING OF INDIVIDUAL FOAM COMPONENTS CAN BE ACCOMPLISHED BY THE FOLLOWING METHODS:
 A. HOT WIRE CUTTING (SEE SAE SPECIFICATION AIR4170 REV. B, PARAGRAPH 3.7.3.1).
 B. MECHANICAL BLADE TYPE CUTTING (BAND SAW, ELECTRIC KNIFE) (SEE SAE SPECIFICATION AIR4170 REV. B, PARAGRAPH 3.7.3.2)
 C. SPECIALLY DESIGNED / MANUFACTURED SMOOTH BLADE TYPE CUTTING TOOLS.
- GN6 HANDLING OF RETICULATED POLYURETHANE FOAM SHOULD NOT RESULT IN THE TRANSFER OF FOREIGN MATERIALS ONTO, OR INTO THE FOAM STRUCTURE. THE CLOTHING WORN BY PERSONNEL FABRICATING THE COMPONENTS/KITS SHOULD NOT BE A SOURCE OF CONTAMINATION TO THE FUEL CELL BAFFLE MATERIAL. REFER TO SAE SPECIFICATION AIR4170 REV. B, PARAGRAPH 3.7.3.3 FOR FURTHER DETAILS.
- GN7 UPON COMPLETION OF FABRICATION AND BEFORE FINAL INSPECTION, COMPONENTS WILL REQUIRE A FINAL CLEANING TO REMOVE ANY FOAM DEBRIS OR CONTAMINANTS LEFT FROM THE FABRICATING PROCESS. ALL COMPONENTS MUST BE BOUNCED AND THOROUGHLY SCRUBBED ON A SCREEN OR HARDWARE CLOTH TO REMOVE LOOSE PARTICLES OF FOAM AND/OR BEADS OF MELTED FOAM AS A RESULT OF FABRICATION. REFER TO SAE SPECIFICATION AIR4170 REV. B, PARAGRAPH 3.7.3.4 FOR INFORMATION ON CLEANING.
- GN8 COMPONENT IDENTIFICATION NUMBERS/LETTERS MUST BE APPLIED TO EACH COMPONENT AFTER FABRICATION IN THE POSITION SHOWN ON THE DRAWINGS. REFER GN11 & GN12 FOR ADDITIONAL DETAILS ON MARKING. PART MARKING MUST ALSO INCLUDE DATE OF FABRICATION. INK TO BE IN ACCORDANCE WITH FEDERAL SPECIFICATION A-A-208() IN A CONTRASTING COLOUR.
- GN9 IMMEDIATELY UPON COMPLETING THE CLEANING AND IDENTIFICATION MARKING OF A COMPONENT IT SHALL BE PACKAGED TO PREVENT POSSIBLE CONTAMINATION. MINIMUM LEVEL OF PROTECTION WHEN PACKAGING SHOULD BE AS FOLLOWS:
 - EACH INDIVIDUAL COMPONENT SHALL BE WRAPPED IN A 4-MIL, BLACK POLYETHYLENE FILM, TAPED OR SEALED CLOSED, AND PROPERLY IDENTIFIED
 - INDIVIDUALLY WRAPPED COMPONENTS SHALL THEN BE MULTIPACKED INTO COMMERCIAL GRADE CORRUGATED CARTONS, AND SEALED CLOSED WITH TAPE. MARKINGS ON THE EXTERIOR CARTON SHALL IDENTIFY THE CONTENTS. THE PACKAGED COMPONENTS/KITS SHALL BE STORED IN AN AREA TO PROTECT THEM FROM THE OUTDOOR ENVIRONMENT.
 REFER TO SAE SPECIFICATION AIR4170 REV. B, PARAGRAPH 3.7.6 FOR INFORMATION ON PACKAGING AND STORAGE
- GN10 MARKINGS ON THE FOAM REPRESENT THE FOLLOWING:
 'F' - FACE OF FOAM FACING FORWARD OF THE AIRCRAFT
 ↑ - 'THIS END UP' ARROW
- GN11 PART NUMBER AND ALL MARKINGS PER GN10 TO BE MARKED IN POSITION SHOWN ON DRAWING. THE MINIMUM TEXT HEIGHT OF PART NUMBER IS 2 INCHES AND THE MAXIMUM TEXT HEIGHT IS 2.5 INCHES. THE TEXT HEIGHT FOR FACE OF FOAM MARKING ('F') IS 5 INCHES AND ARROW HEIGHT IS 5 INCHES. HOWEVER, IF CONSTRAINED FOR SPACE PART NUMBER CAN BE MARKED ON ADJACENT FACES. ARROW NEEDS TO BE CONSPICUOUS.
- GN12 PAGE 0 CONTAINS REV BLOCK, DOC NAME/REV/DATE/NUMBER, TOLERANCES, SIGNATURES AND INDEX.

FLAG NOTES:

- 1 → ARROW INDICATES DIRECTION OF AIRCRAFT RELATIVE TO THE FOAM SECTION VIEW. THIS IS TO ASSIST MARKINGS ON THE FOAM BLOCK.
- 2 → REFERS TO CUT LINE, DIMENSIONS TO AND FROM CUT-LINE HAVE TOLERANCE +/- 2 INCHES.
- 3 → ONCE PARTS ARE CUT, ENSURE PART NUMBER AND ALL MARKINGS ARE REPLICATED ON ALL SPLIT PARTS. ADDITIONALLY, MARK THE LETTERS 'A', 'B', 'C' OR 'D' AS INDICATED ON THE DRAWING.

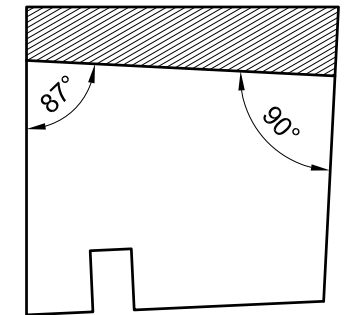
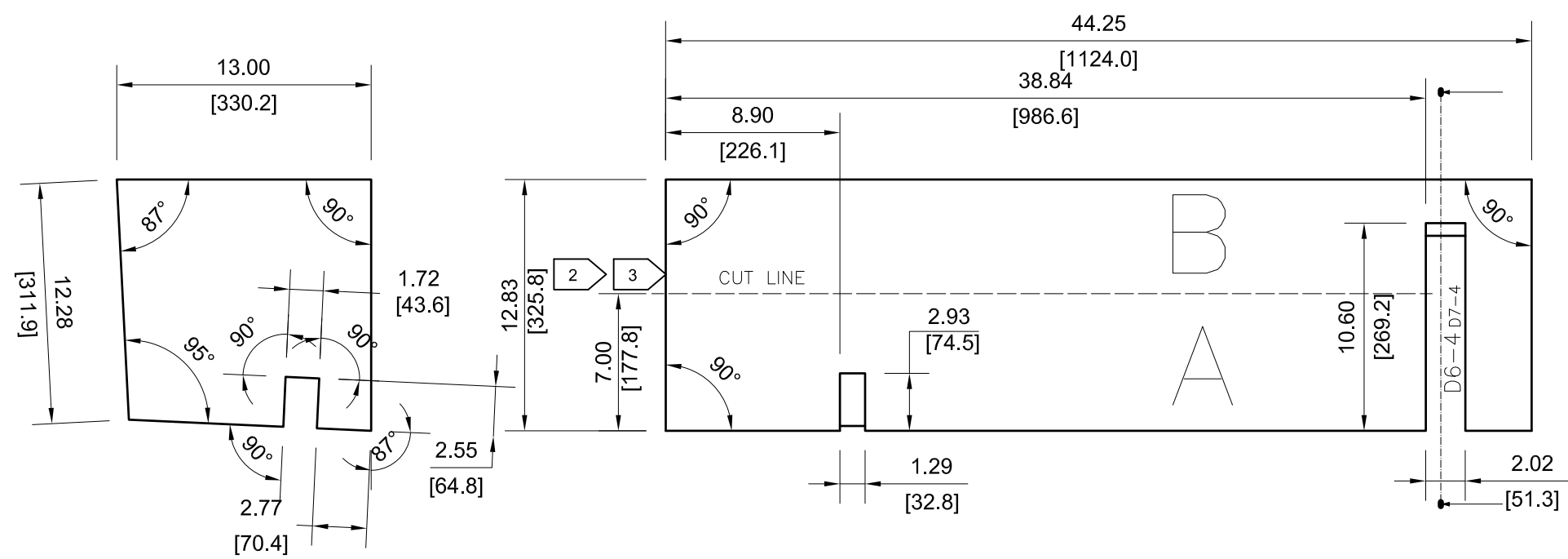
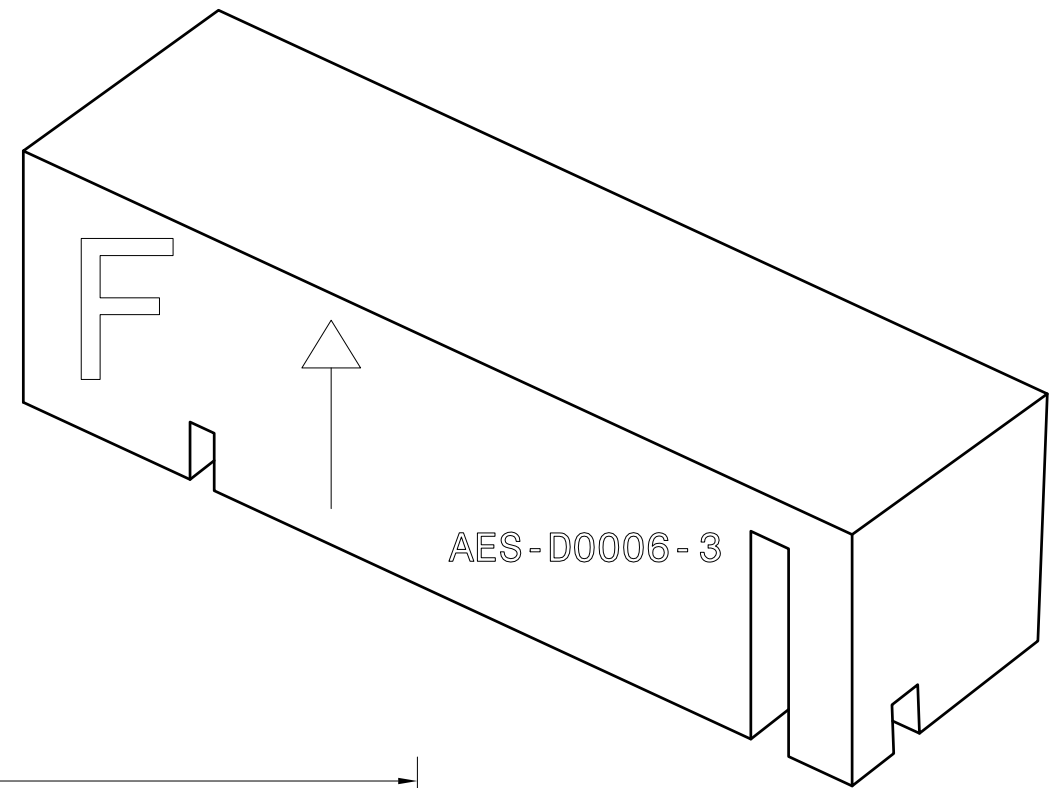


DRAWING NUMBER				
AES-D0006				
SIZE	SCALE	SHEET	OF	REVISION
A3	NONE	2	166	D

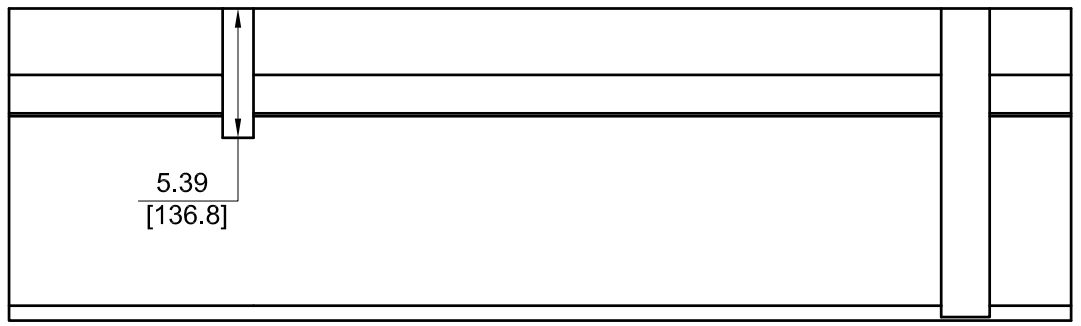



DRAWING NUMBER					AES-D0006	
SIZE	SCALE	SHEET	OF	REVISION		
A3	NONE	3	166	D		

3



SECTION VIEW D6-4

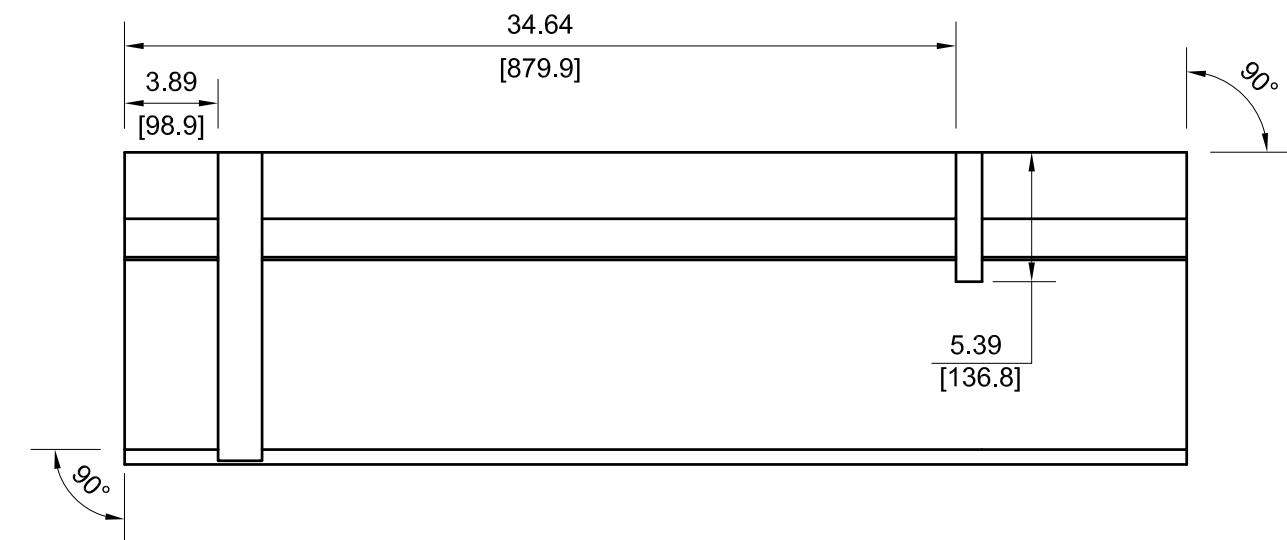
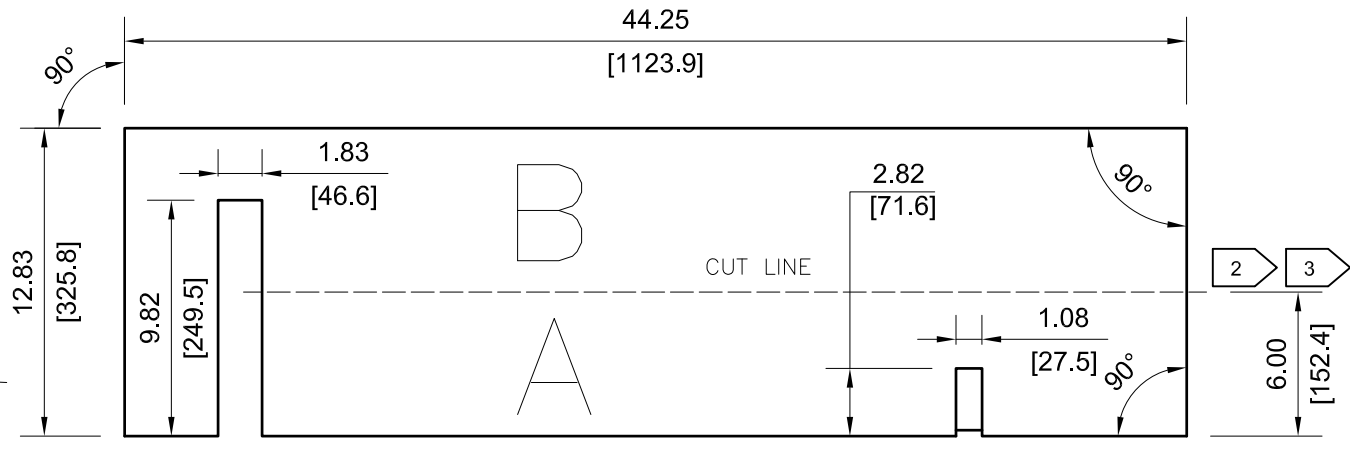
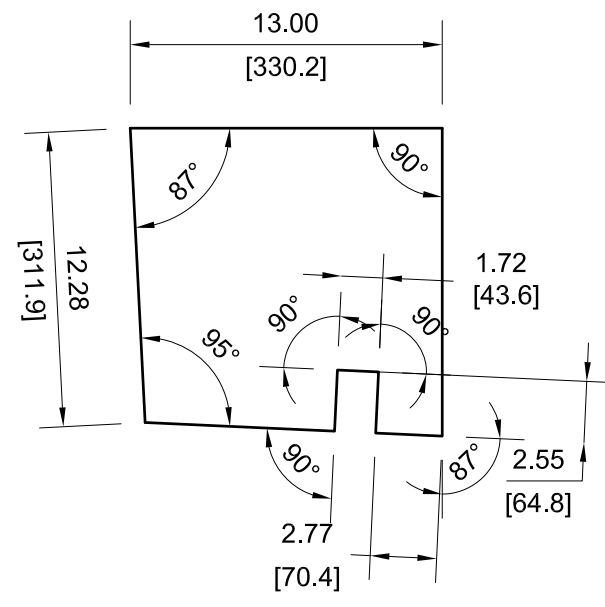
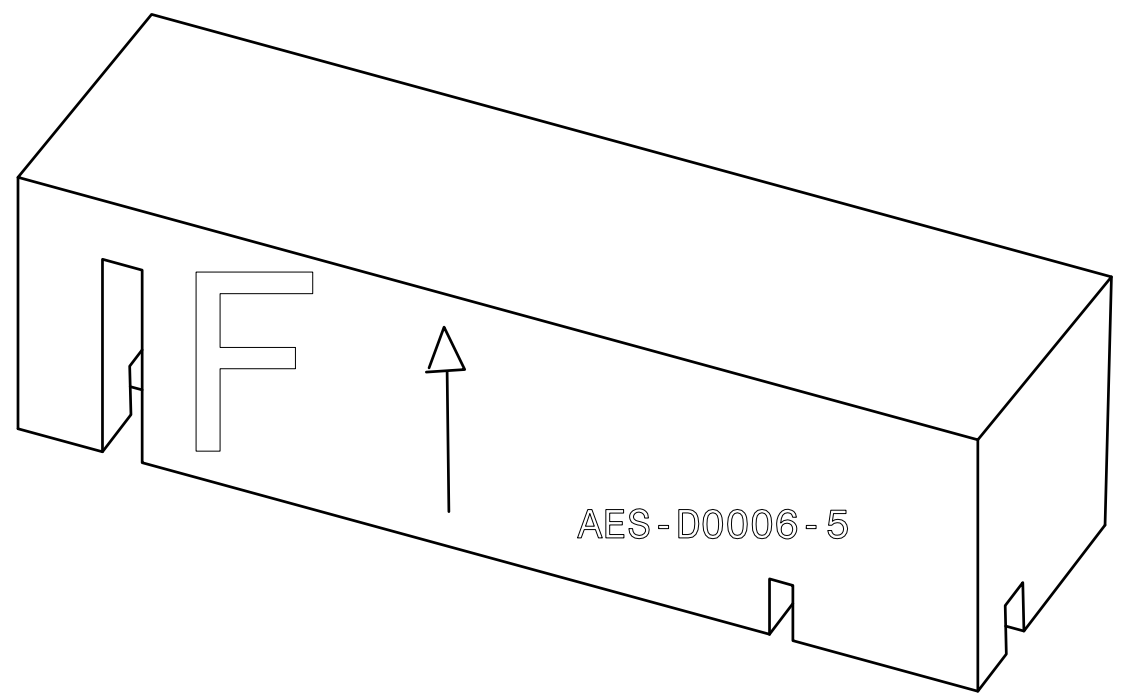



	DRAWING NUMBER			
	AES-D0006			
SIZE	SCALE	SHEET	OF	REVISION
A3	NONE	4	166	D

1 2 3 4 5 6 7 8

A B C D E F

5



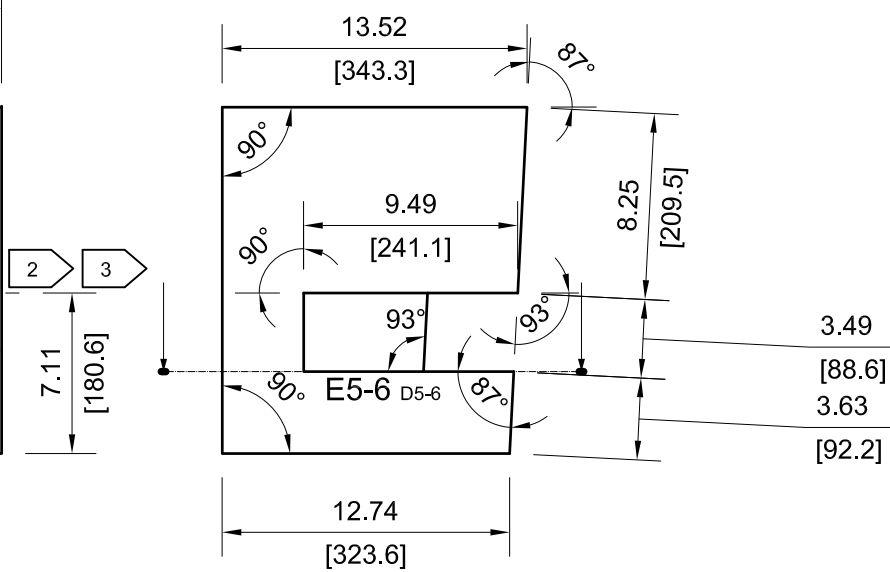
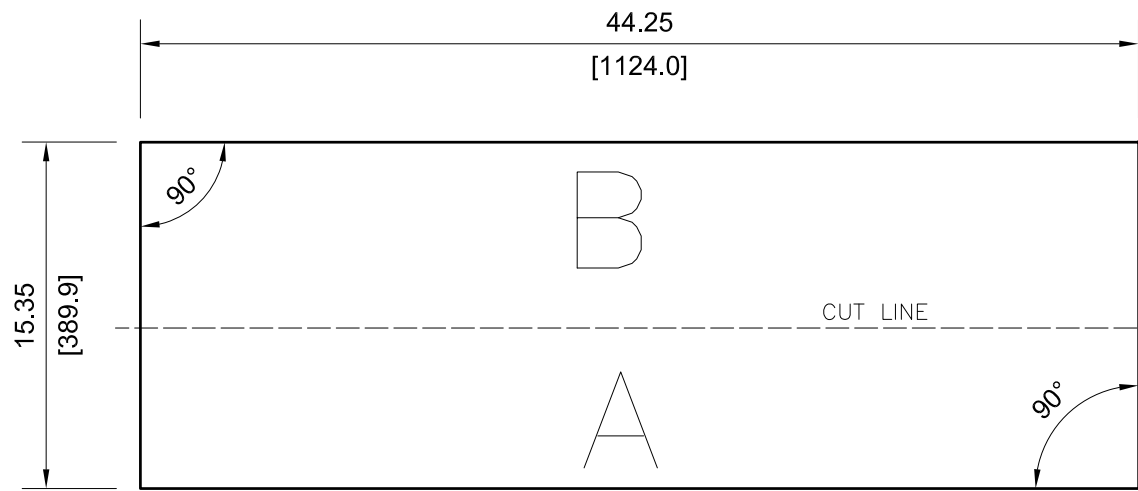
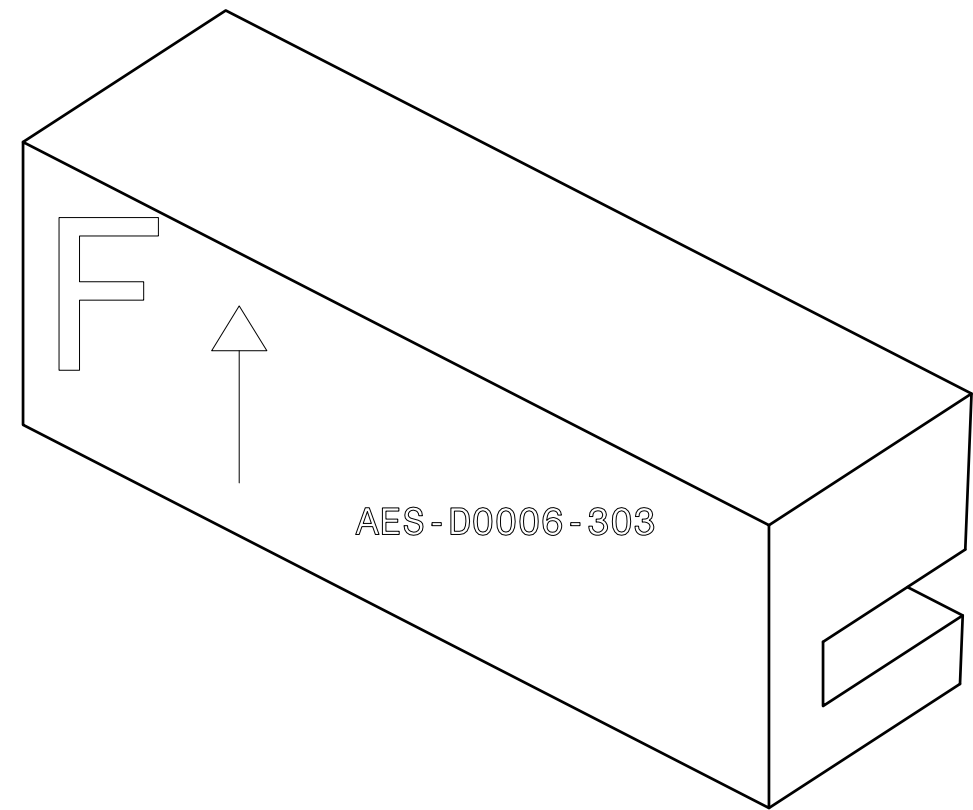
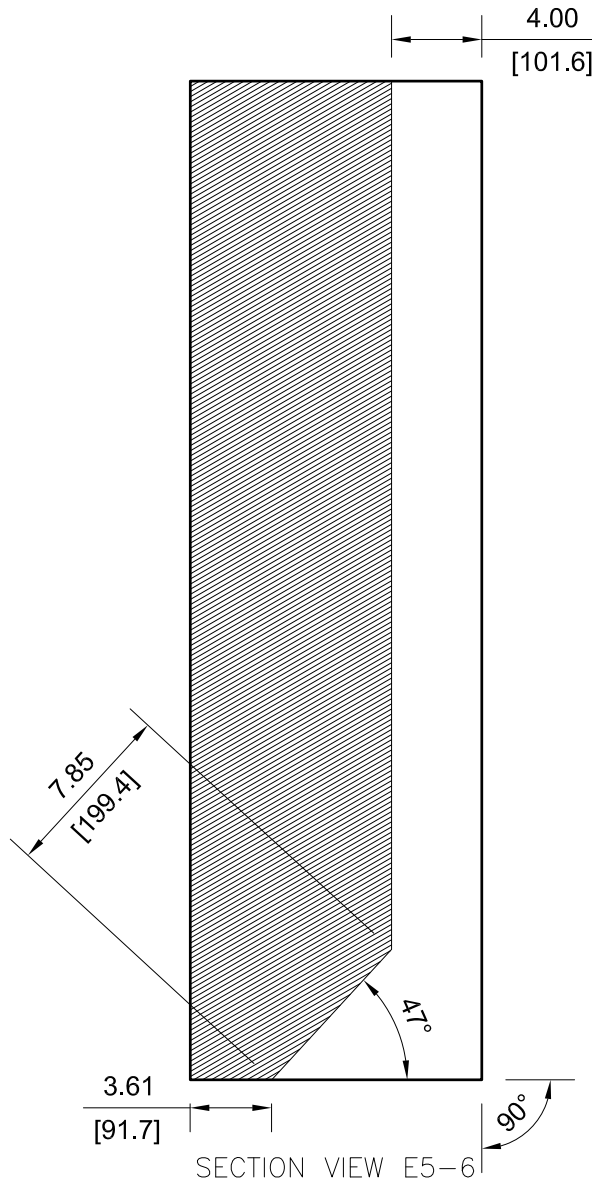
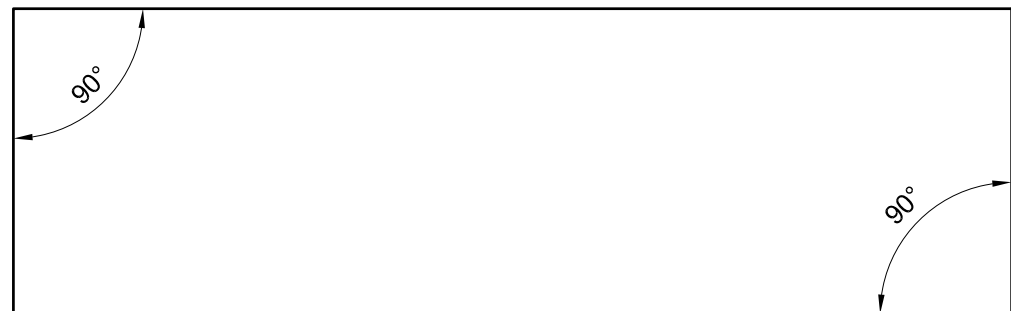
		DRAWING NUMBER			
		AES-D0006			
SIZE	SCALE	SHEET	OF	REVISION	
A3	NONE	5	166	D	

1 2 3 4 5 6 7 8

1 2 3 4 5 6 7 8

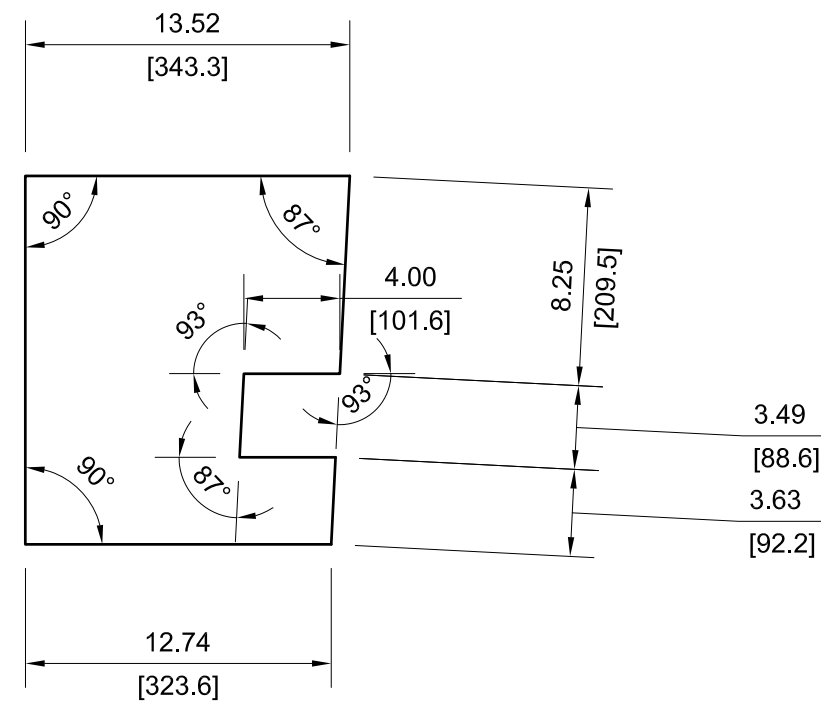
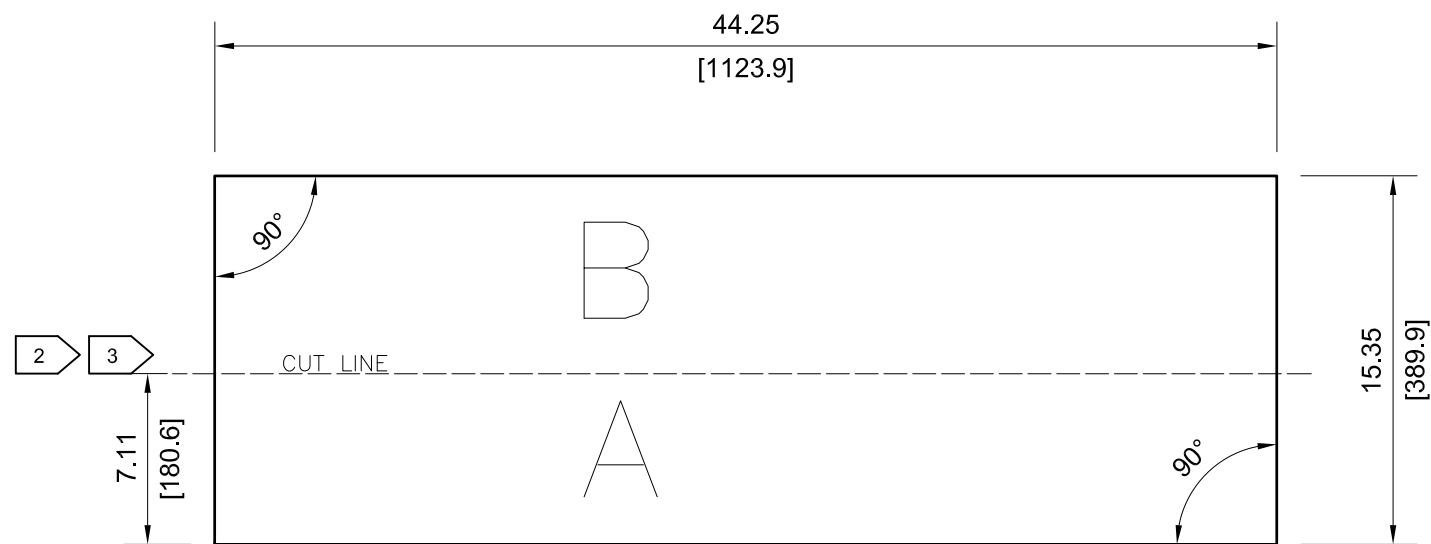
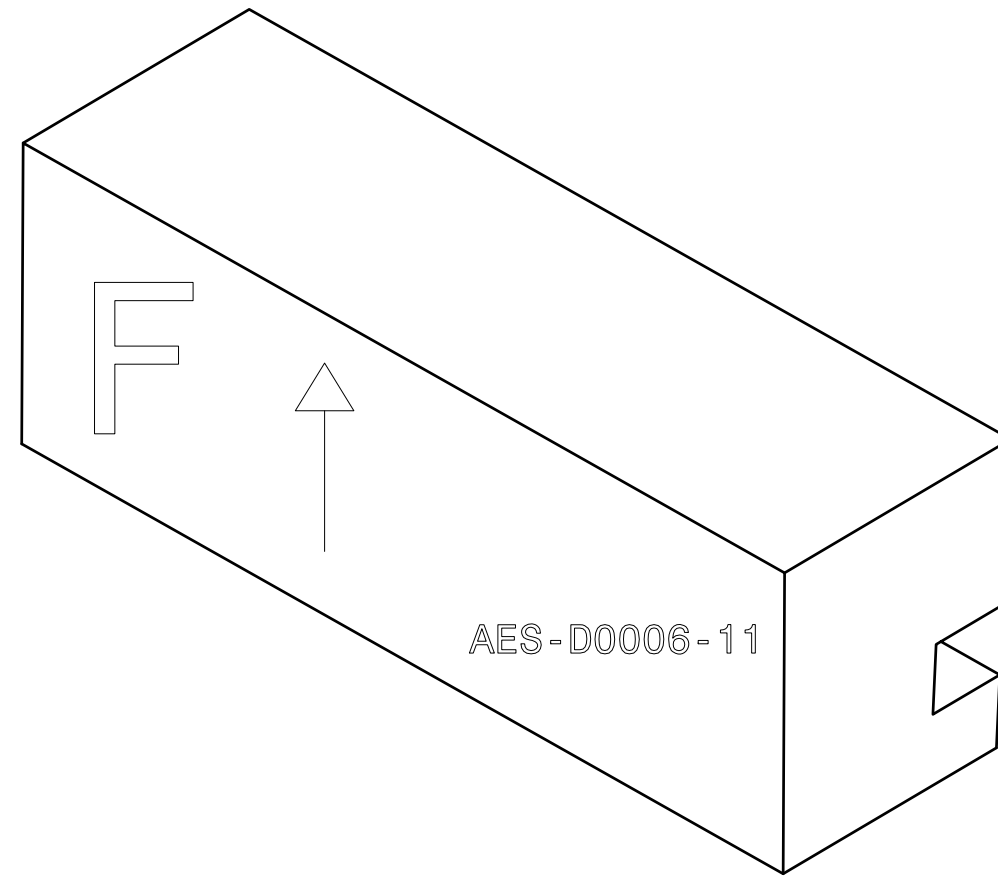
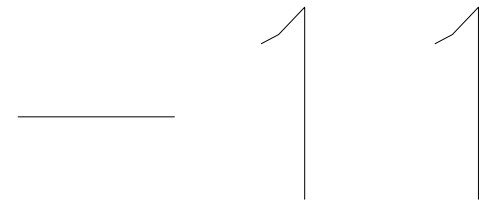
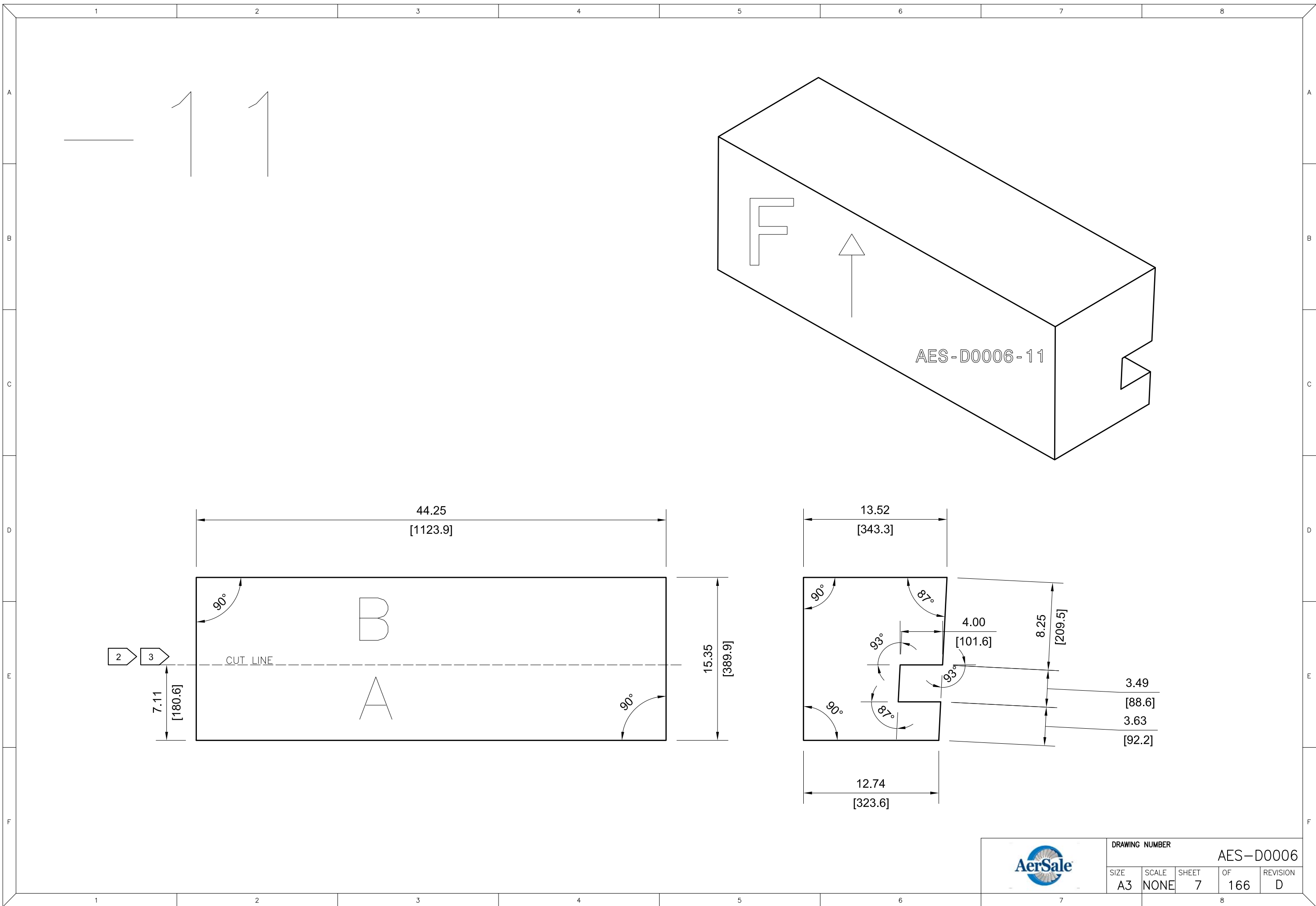
A
B
C
D
E
F


303

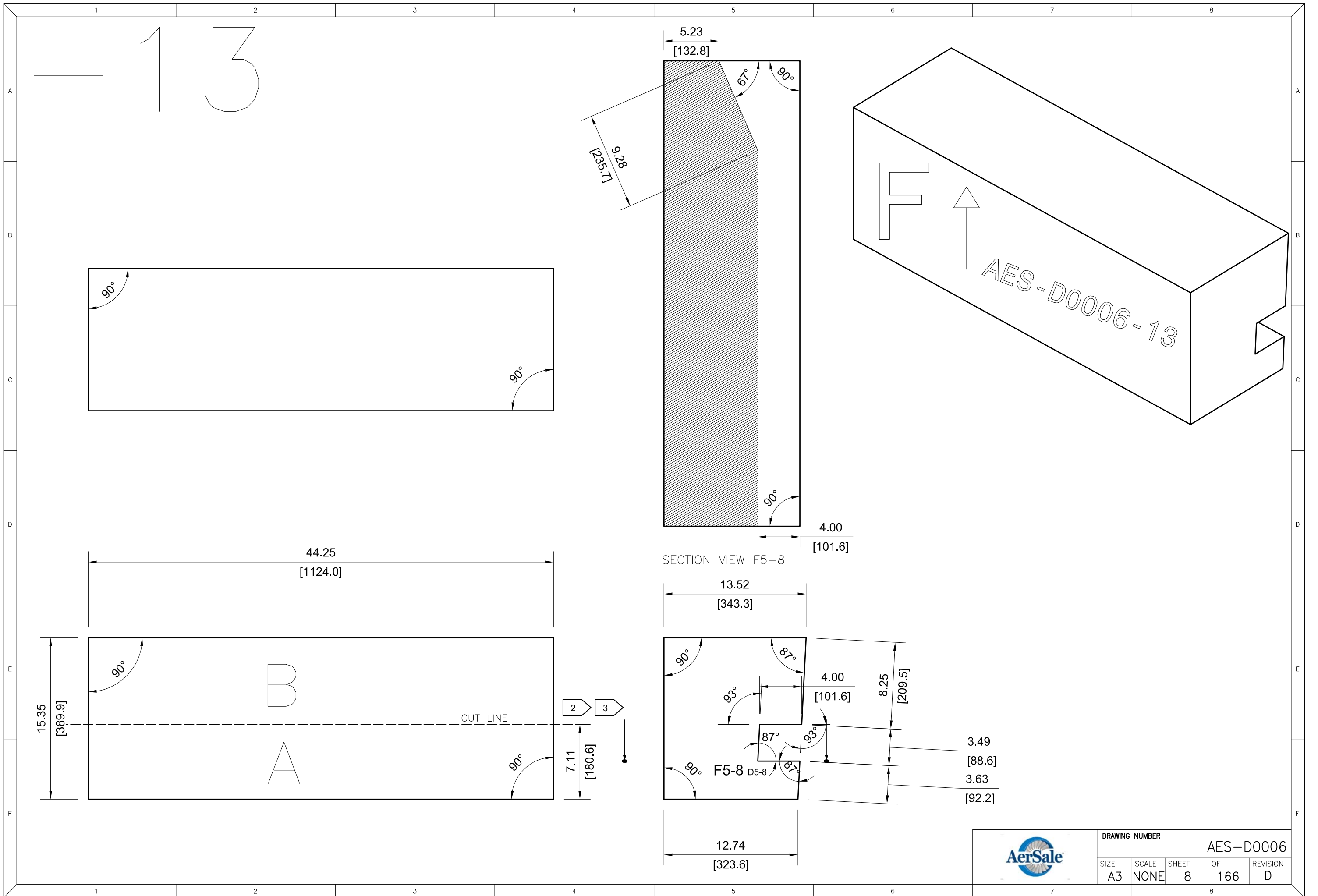


		DRAWING NUMBER			
		AES-D0006			
SIZE	SCALE	SHEET	OF	REVISION	
A3	NONE	6	166	D	

1 2 3 4 5 6 7 8

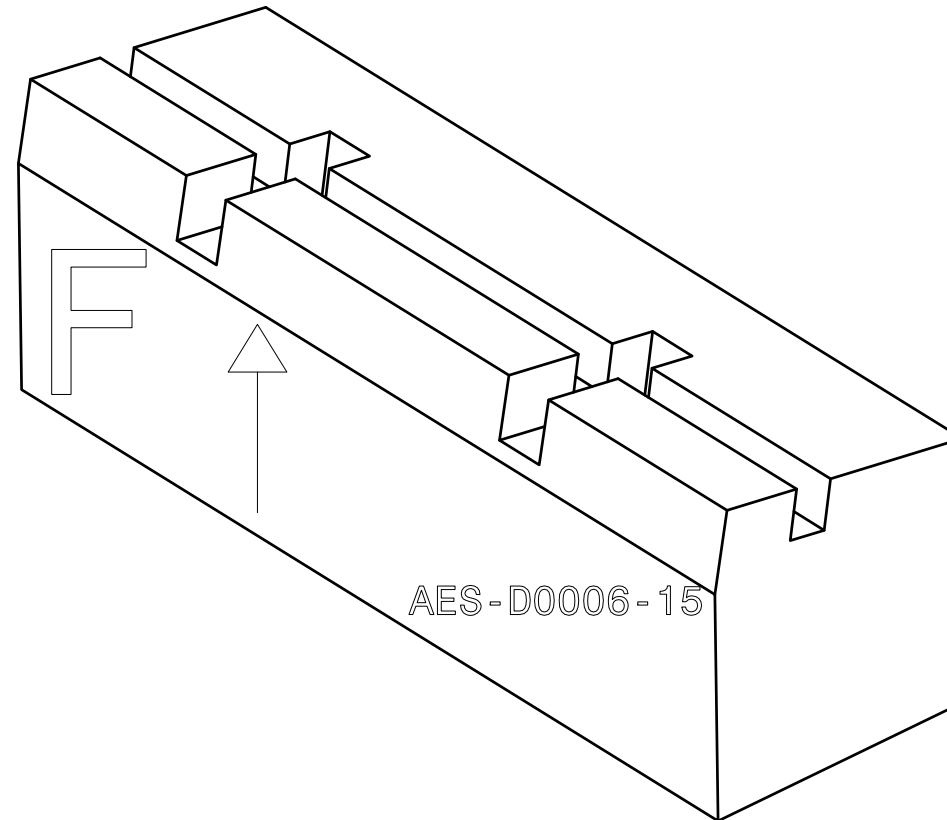


		DRAWING NUMBER			
		AES-D0006			
SIZE	SCALE	SHEET	OF	REVISION	
A3	NONE	7	166	D	

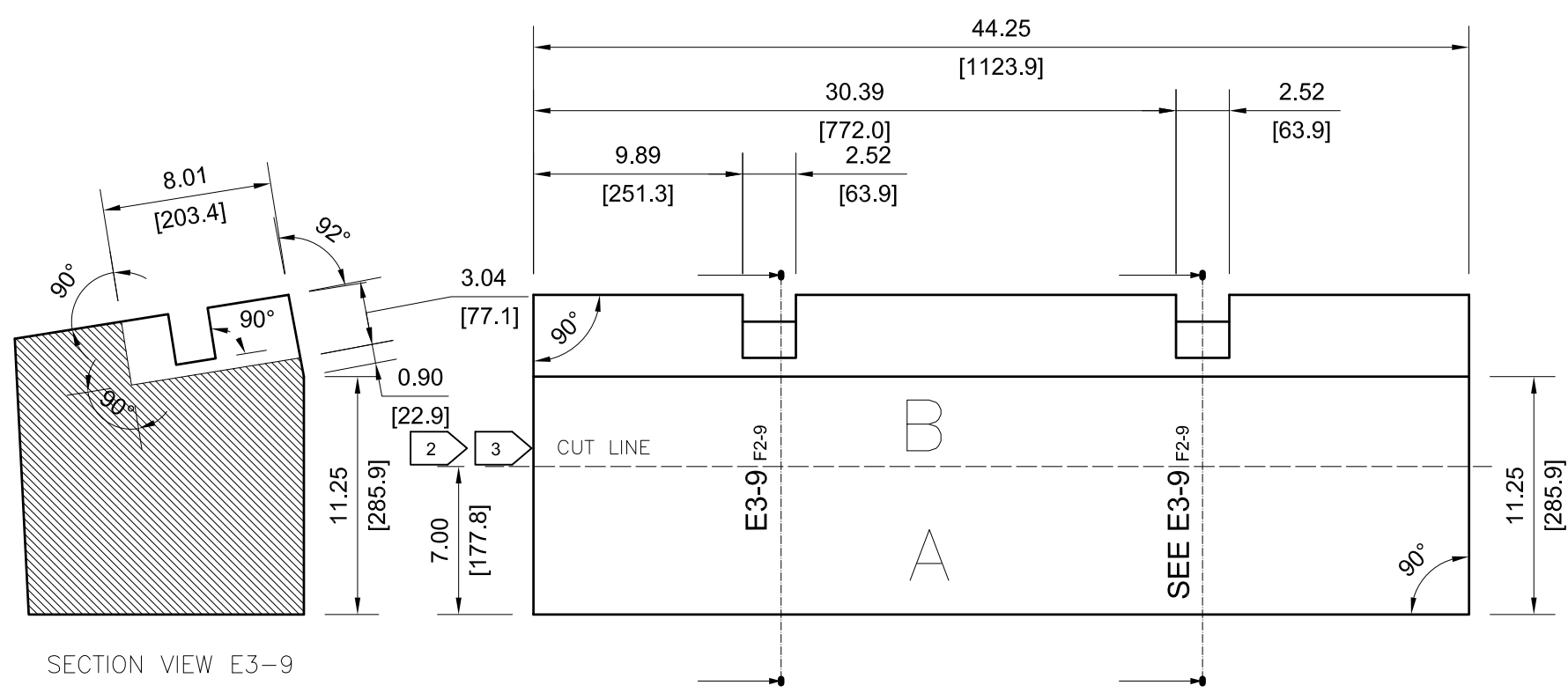
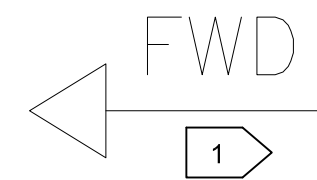


DRAWING NUMBER				
AES-D0006				
SIZE	SCALE	SHEET	OF	REVISION
A3	NONE	8	166	D

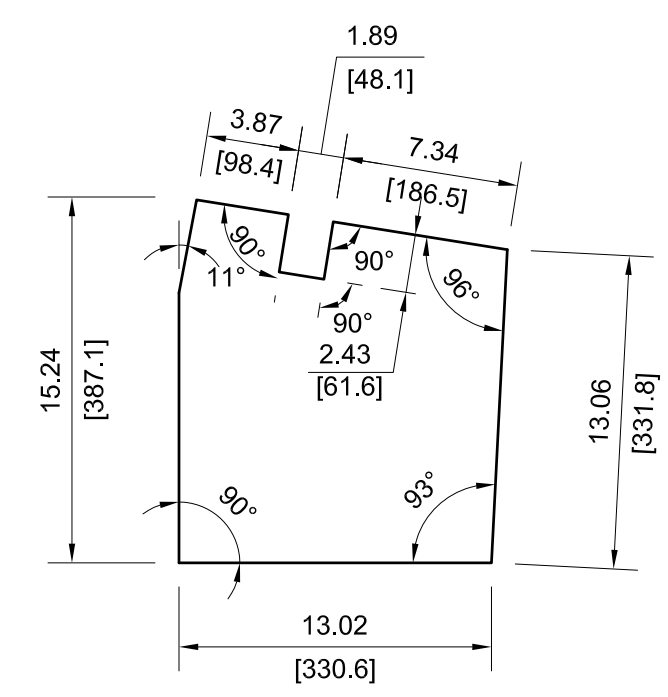
15



AES-D0006-15



SECTION VIEW E3-9

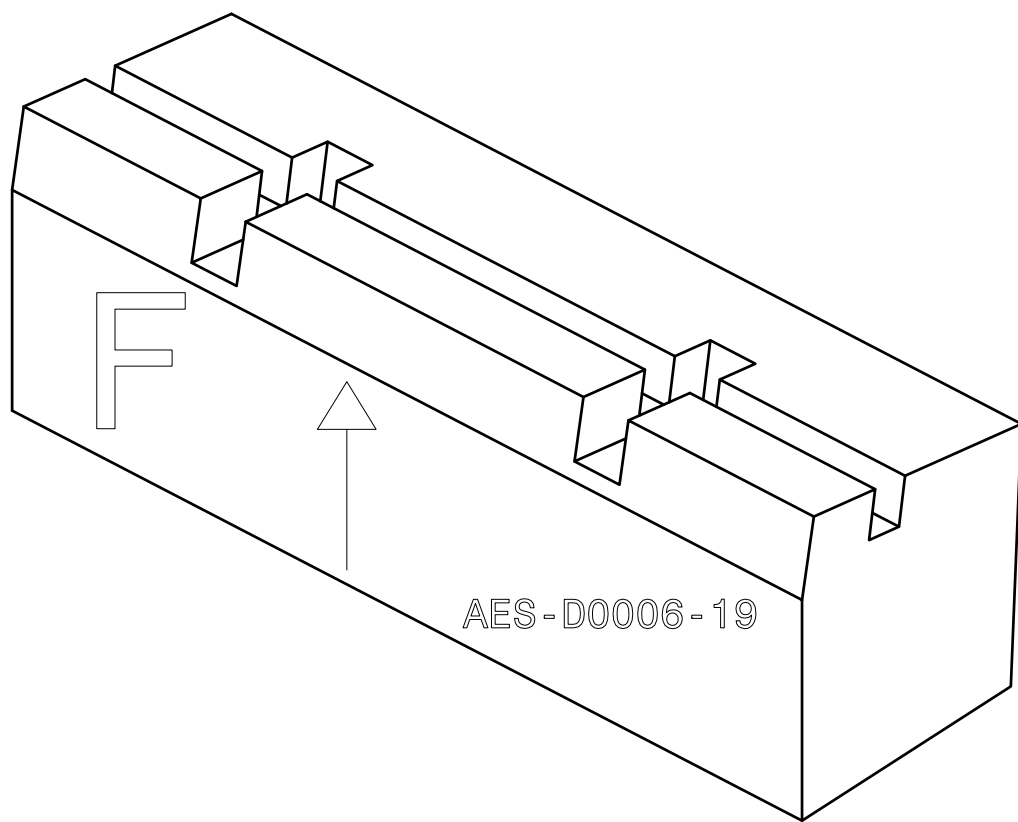


		DRAWING NUMBER			
		AES-D0006			
SIZE	SCALE	SHEET	OF	REVISION	
A3	NONE	9	166	D	

1 2 3 4 5 6 7 8

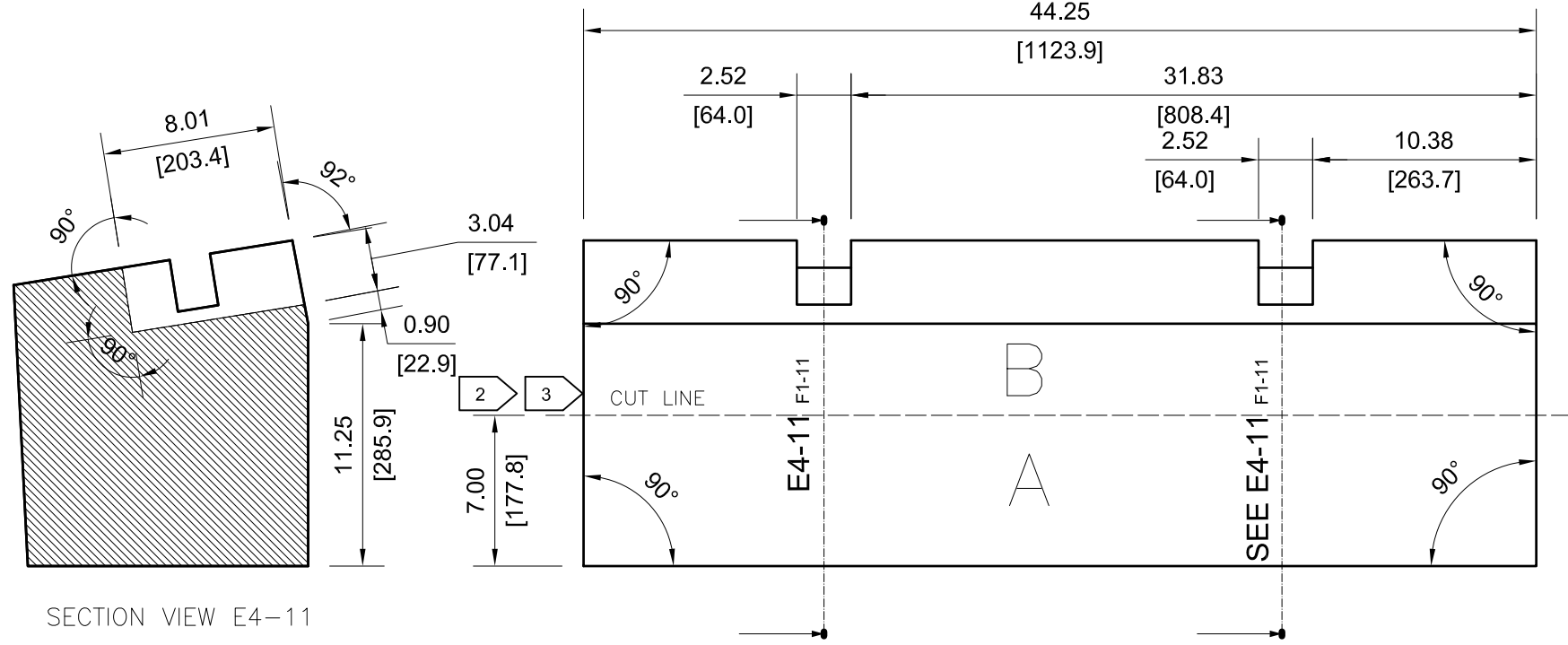
A
B
C
D
E
F

19

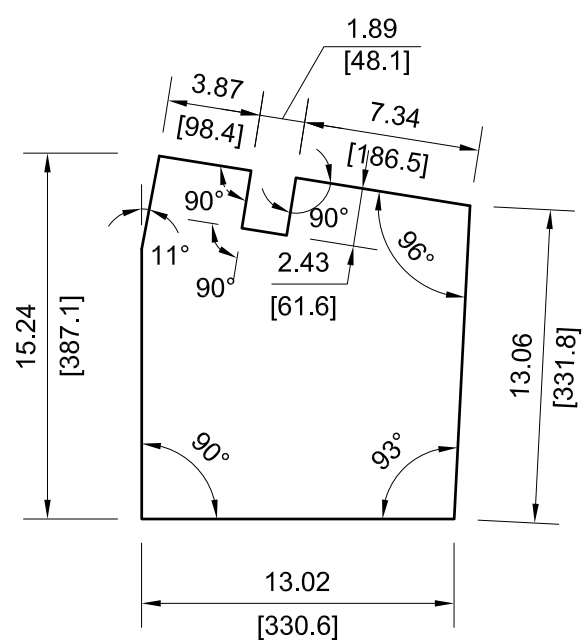


AES-D0006-19

FWD



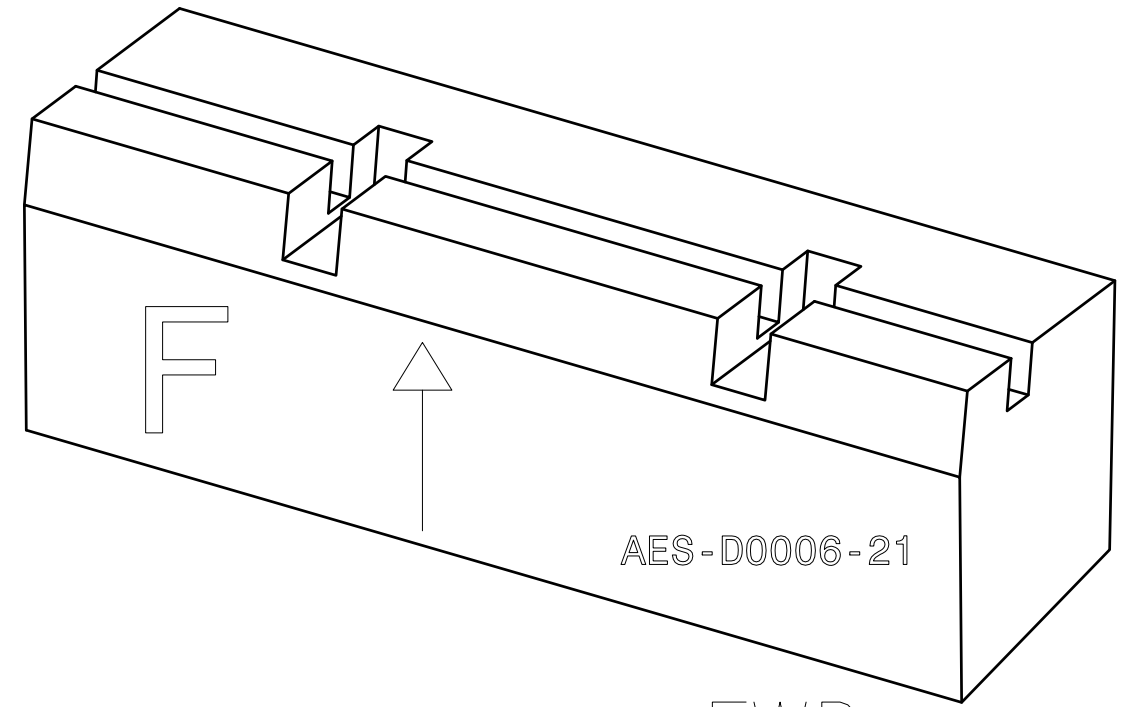
SECTION VIEW E4-11



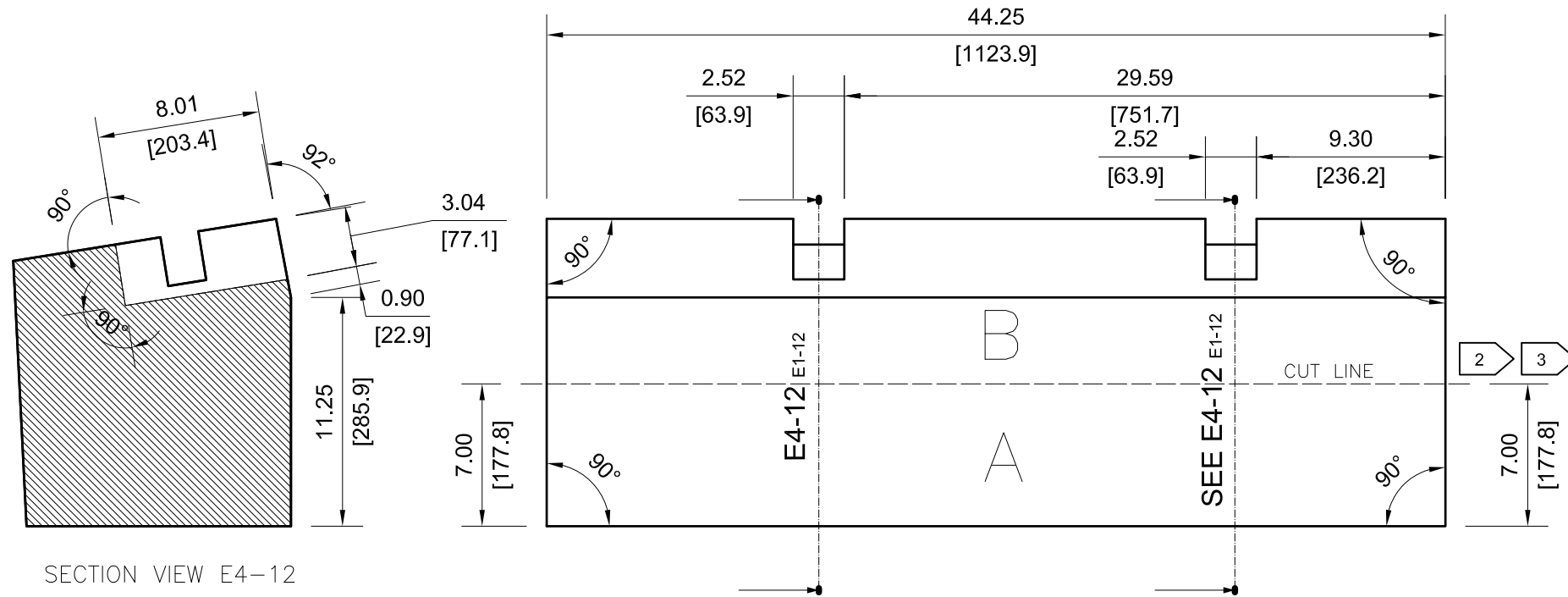
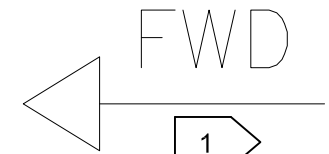
DRAWING NUMBER				
AES-D0006				
SIZE	SCALE	SHEET	OF	REVISION
A3	NONE	11	166	D

1 2 3 4 5 6 7 8

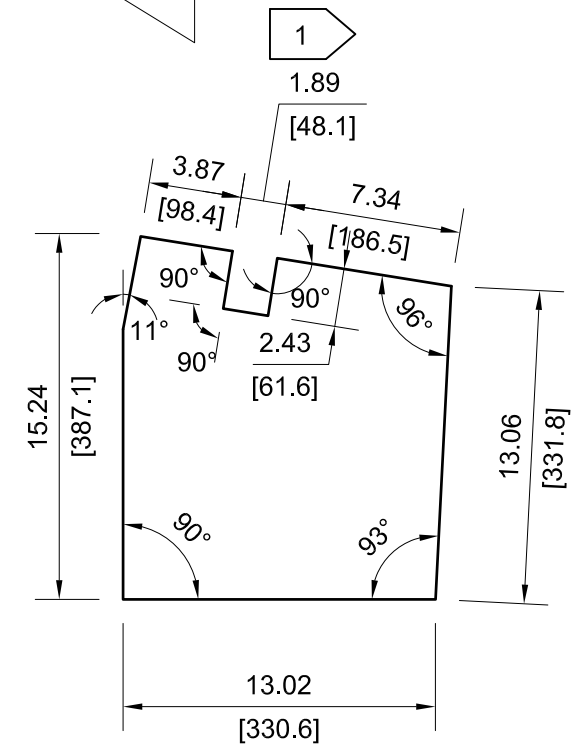
21




AES-D0006-21

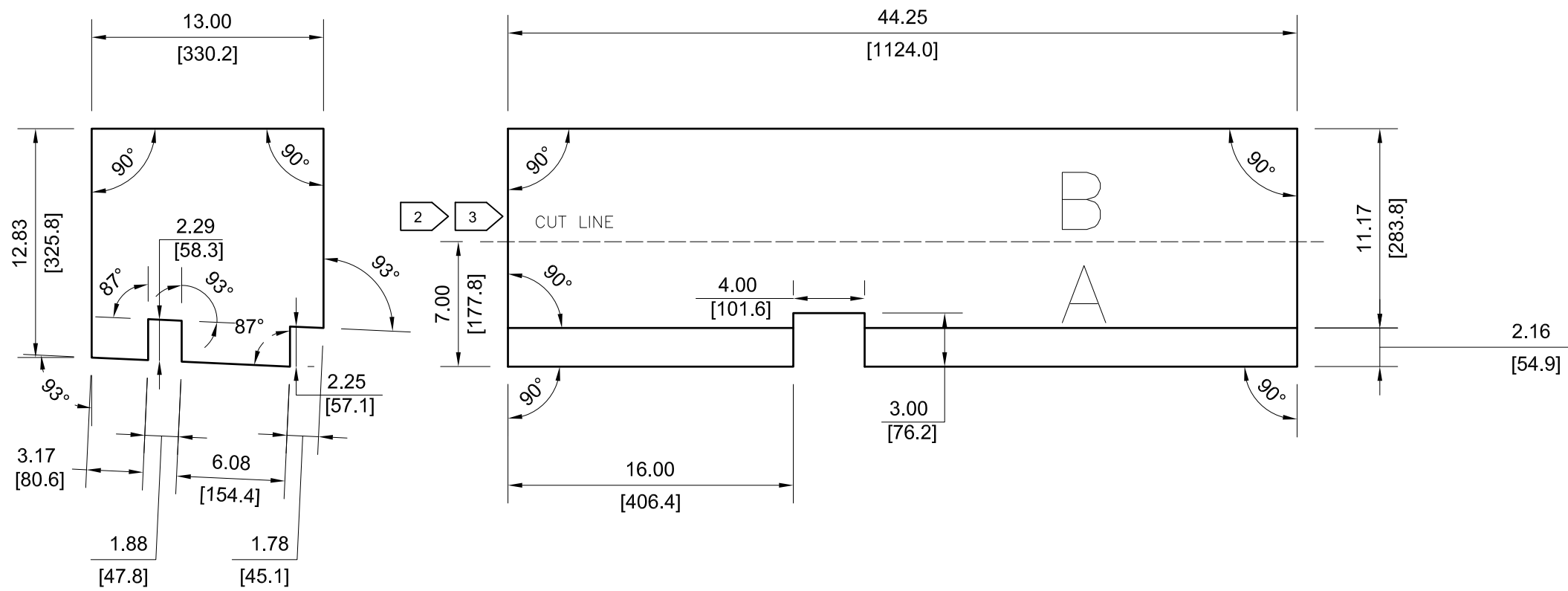
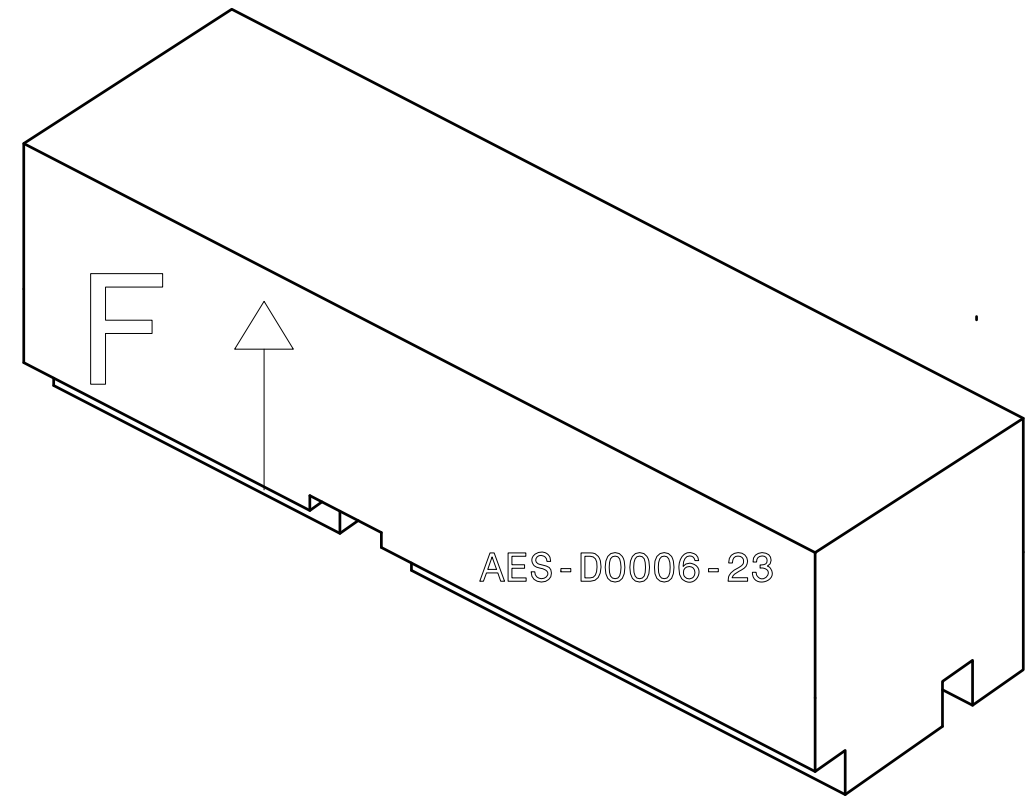


SECTION VIEW E4-12



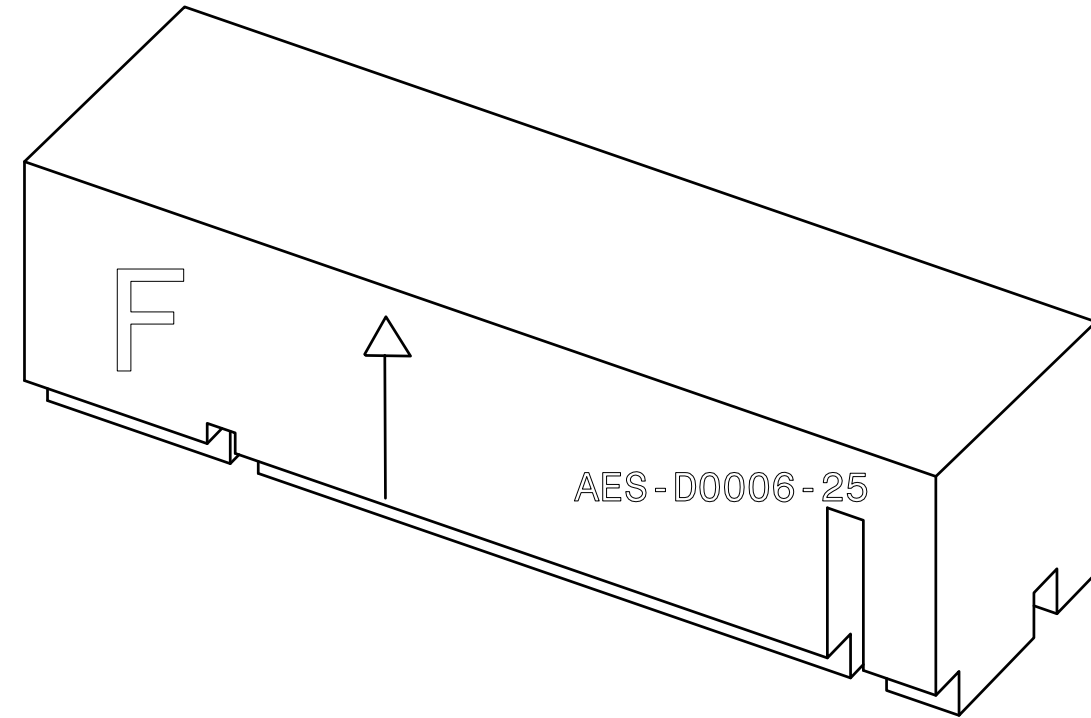
	DRAWING NUMBER				
	AES-D0006				
SIZE	SCALE	SHEET	OF	REVISION	
A3	NONE	12	166	D	

— 23

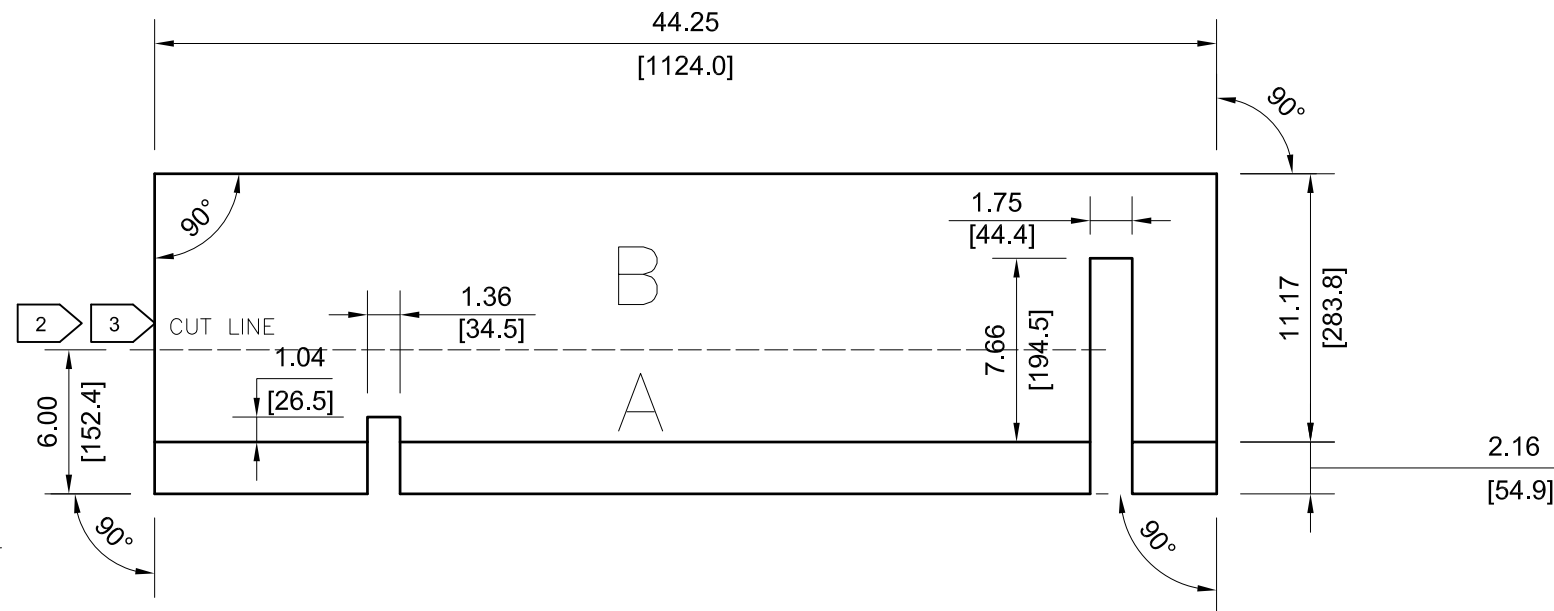
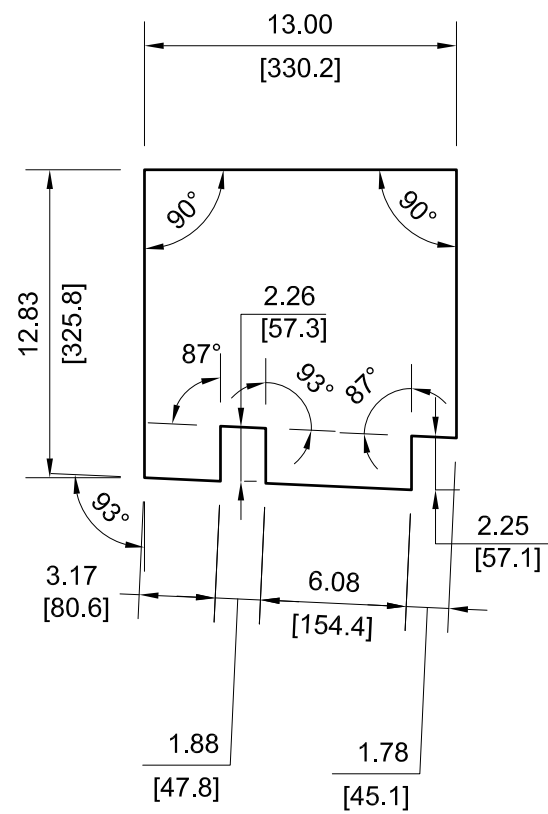



DRAWING NUMBER				
AES-D0006				
SIZE	SCALE	SHEET	OF	REVISION
A3	NONE	13	166	D

— 25

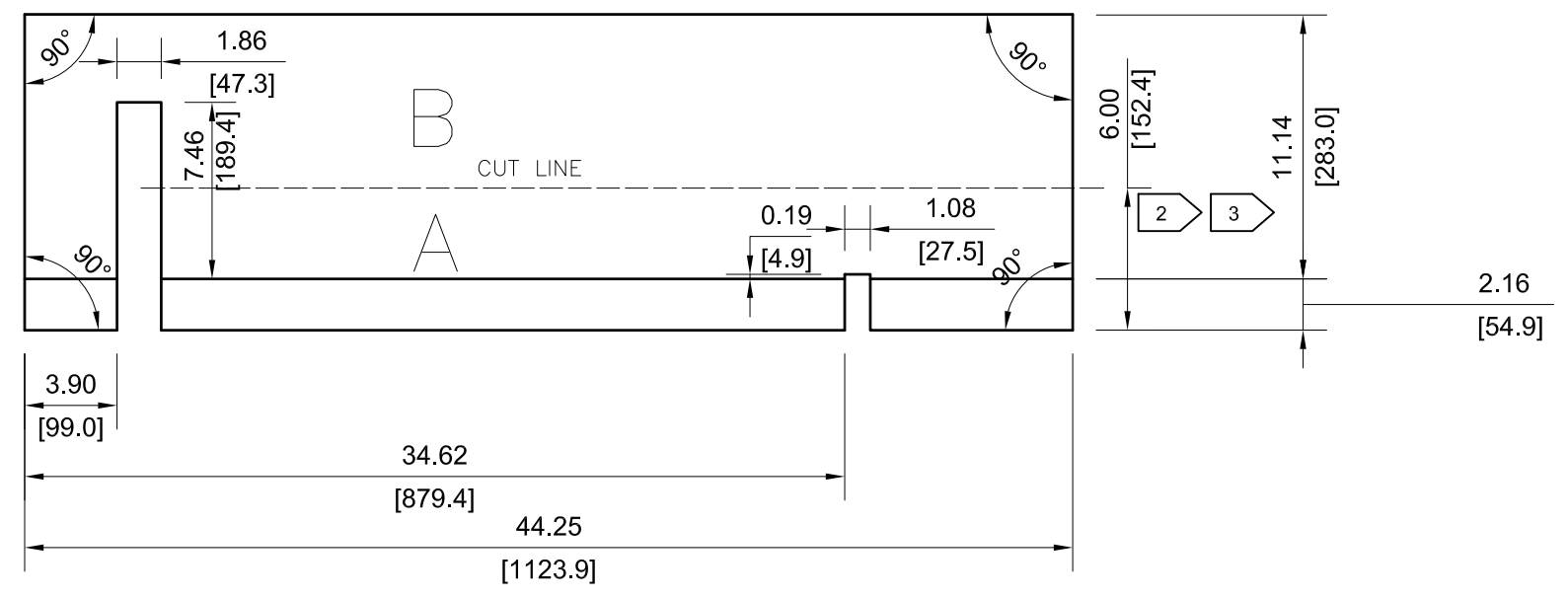
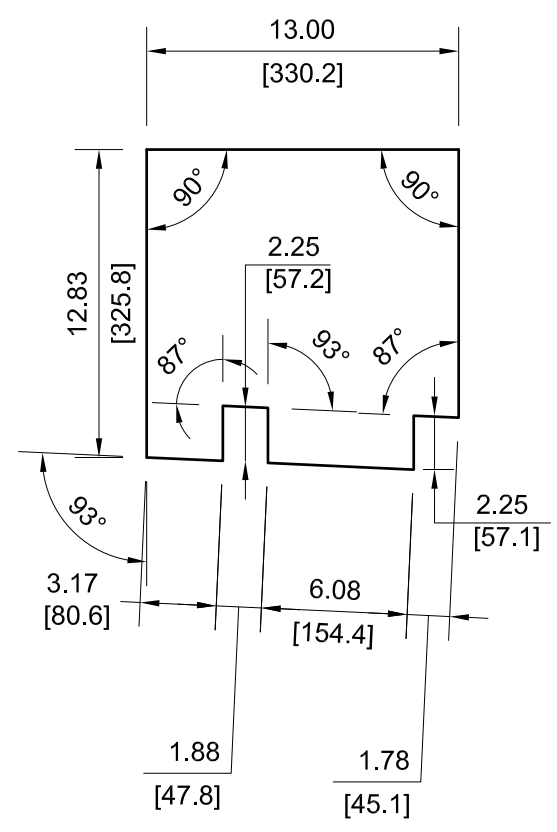
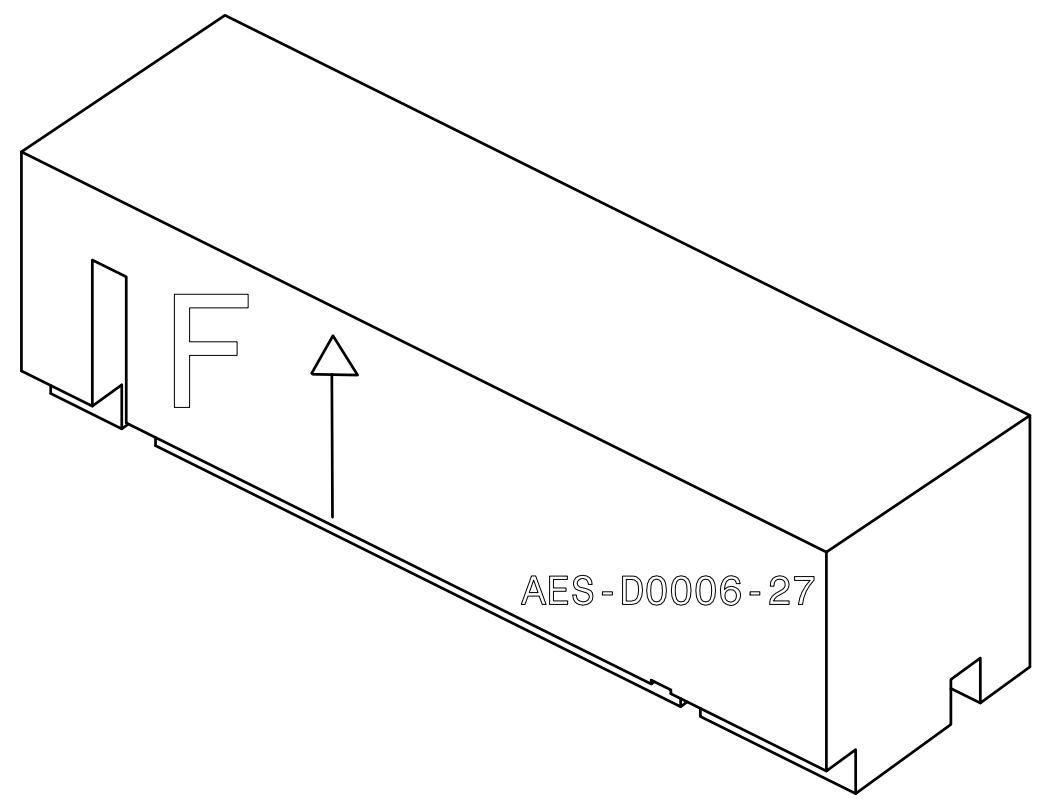



AES-D0006-25



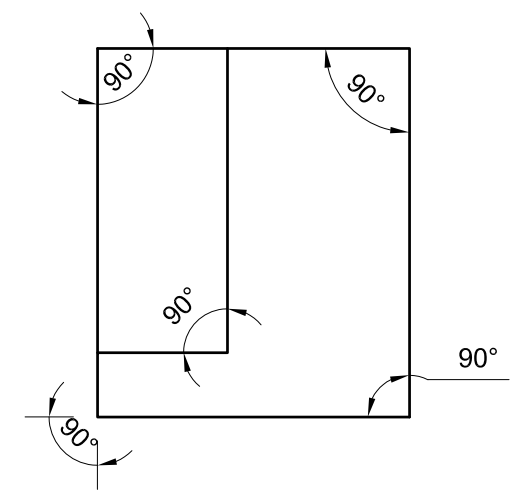
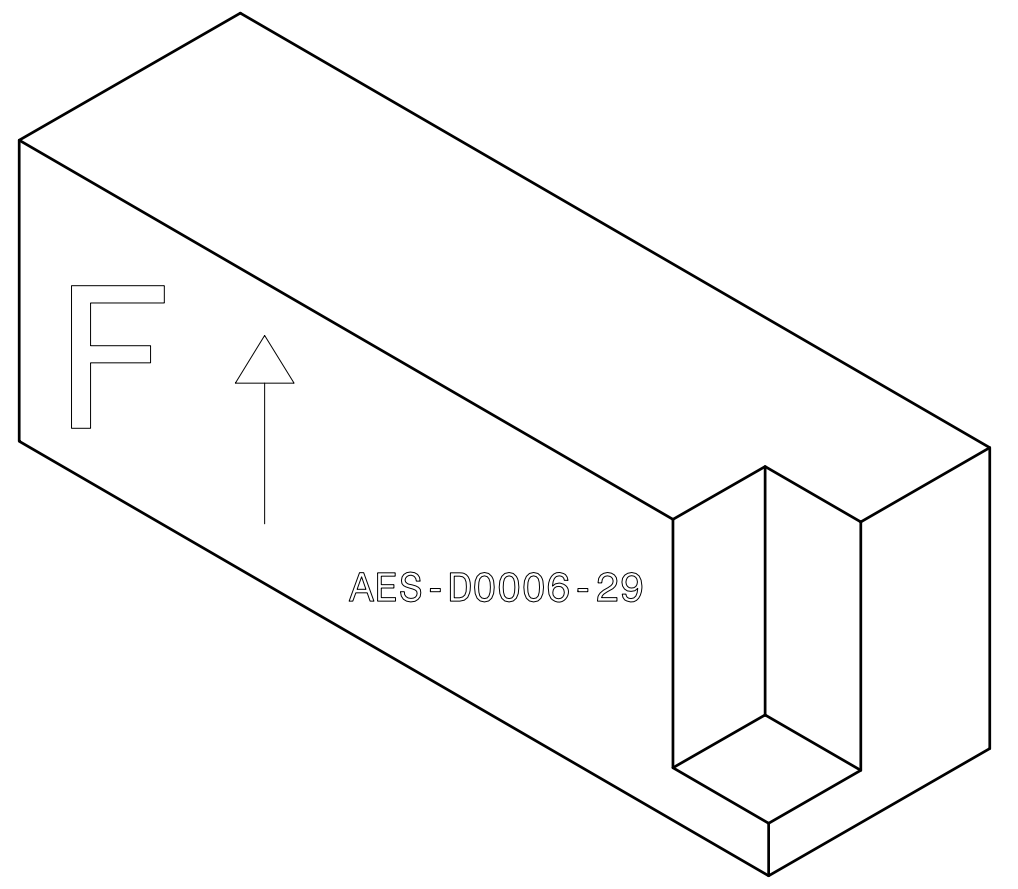
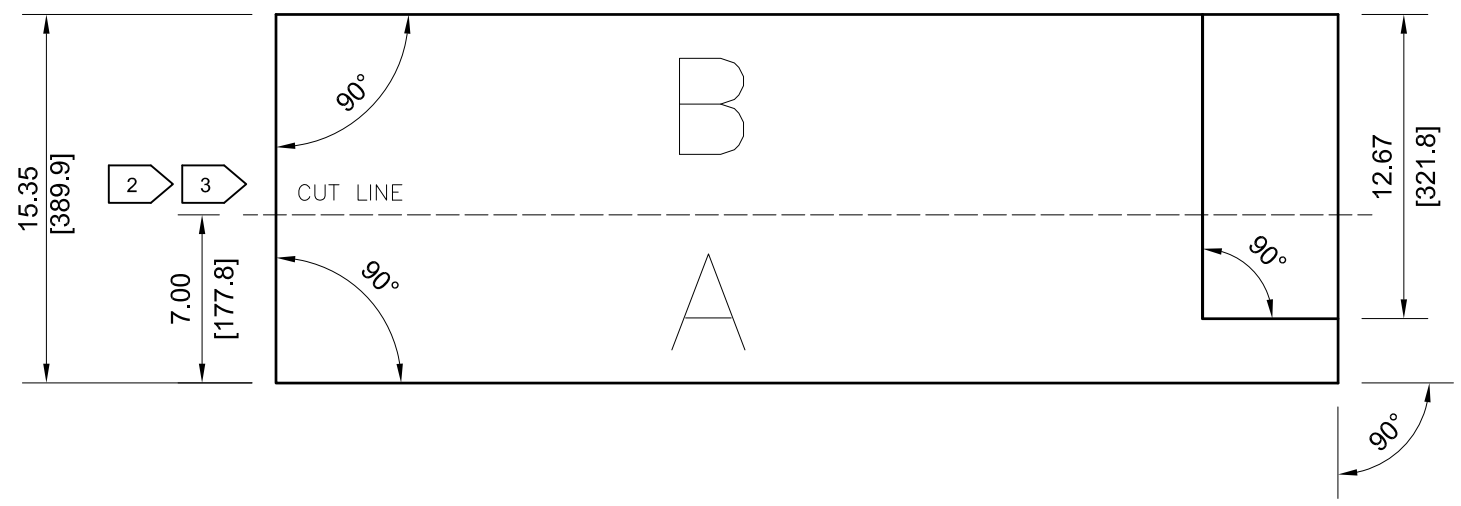
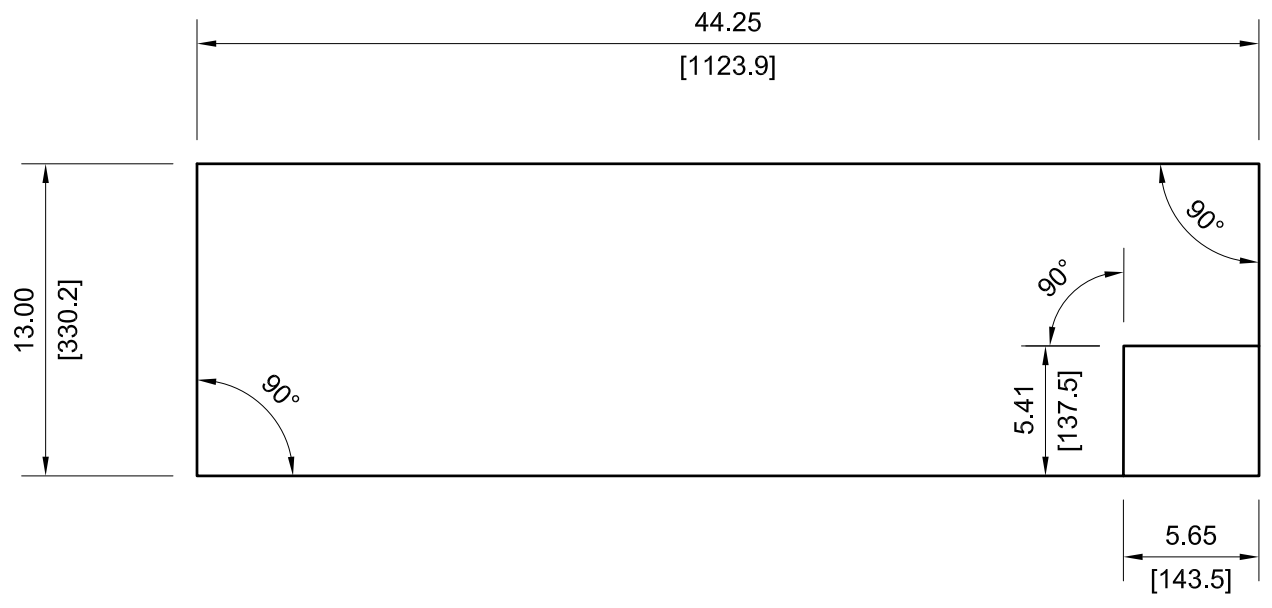
	DRAWING NUMBER				
	AES-D0006				
SIZE	SCALE	SHEET	OF	REVISION	
A3	NONE	14	166	D	

27



		DRAWING NUMBER			
		AES-D0006			
SIZE	SCALE	SHEET	OF	REVISION	
A3	NONE	15	166	D	

— 29

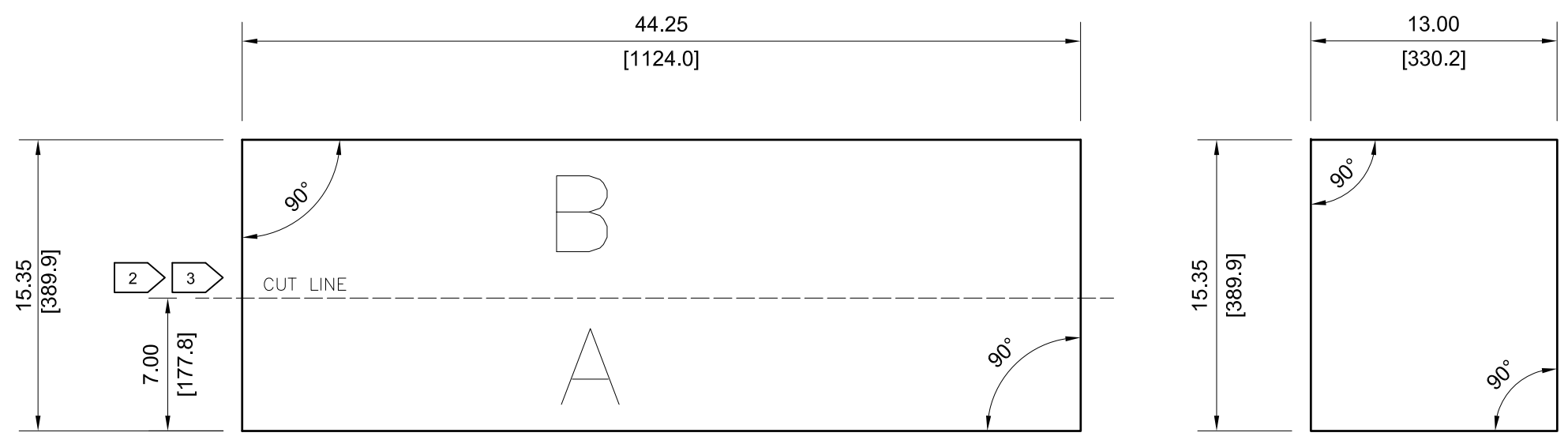
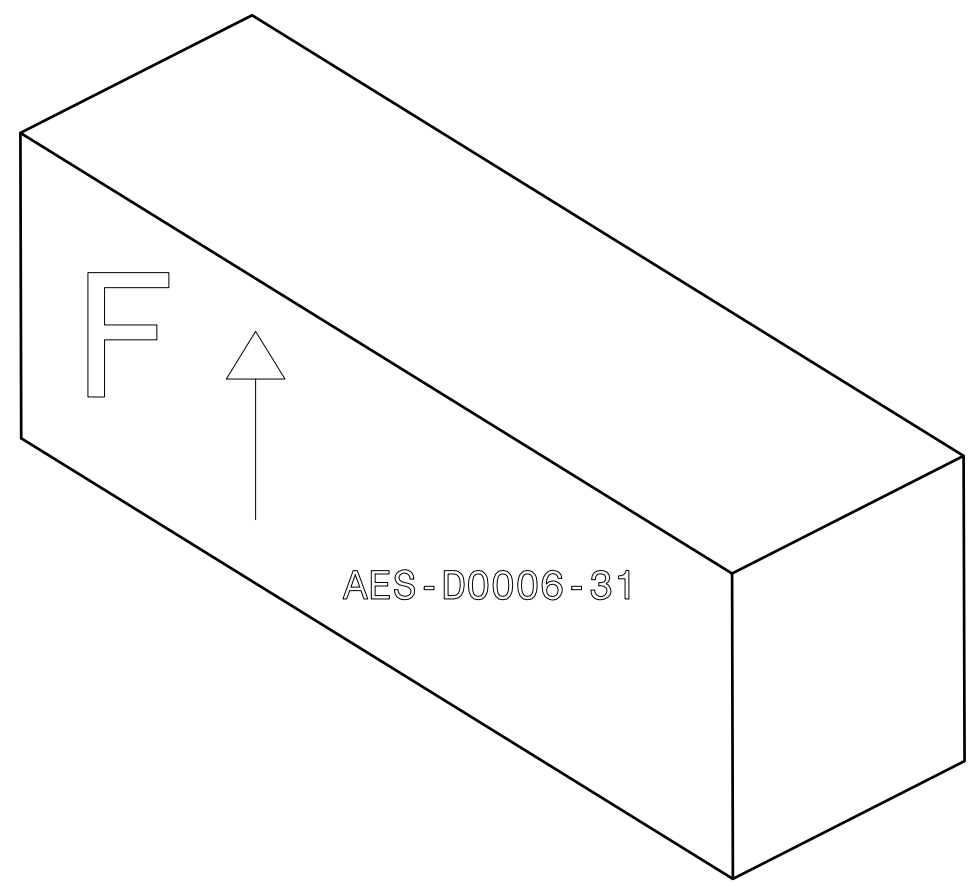


DRAWING NUMBER				
AES-D0006				
SIZE	SCALE	SHEET	OF	REVISION
A3	NONE	16	166	D

1 2 3 4 5 6 7 8

A
B
C
D
E
F

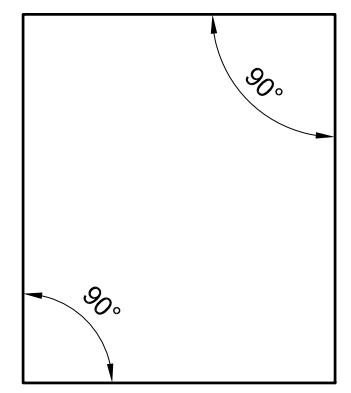
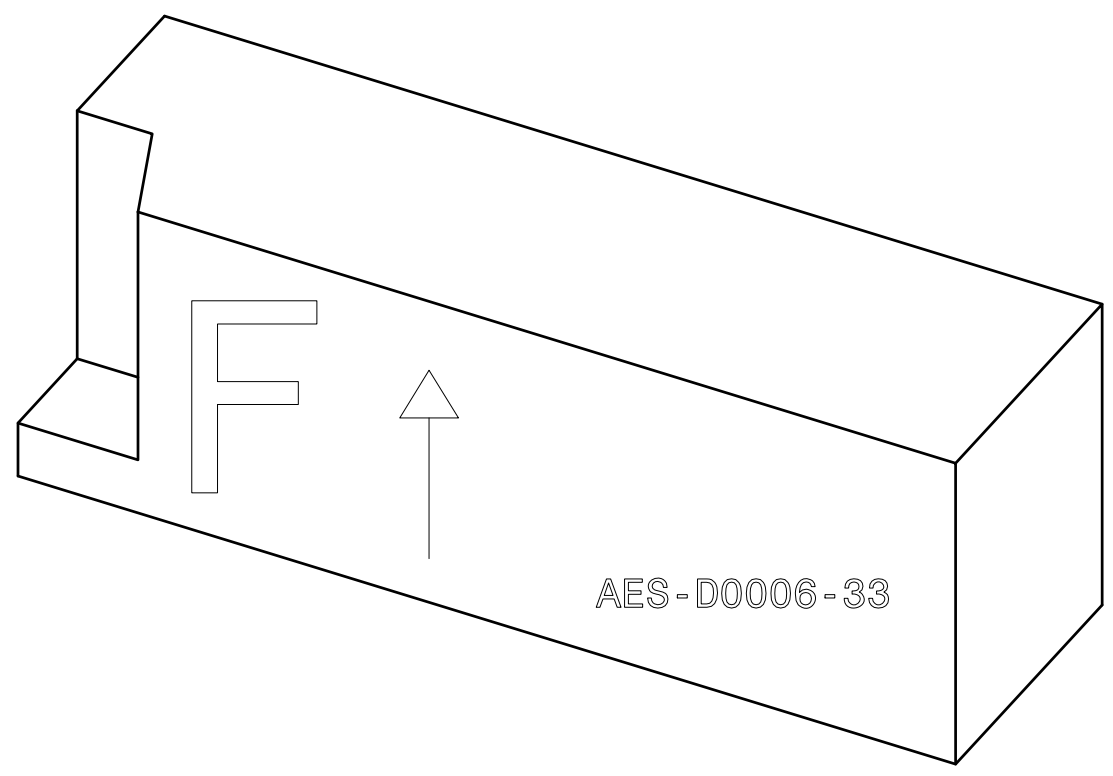
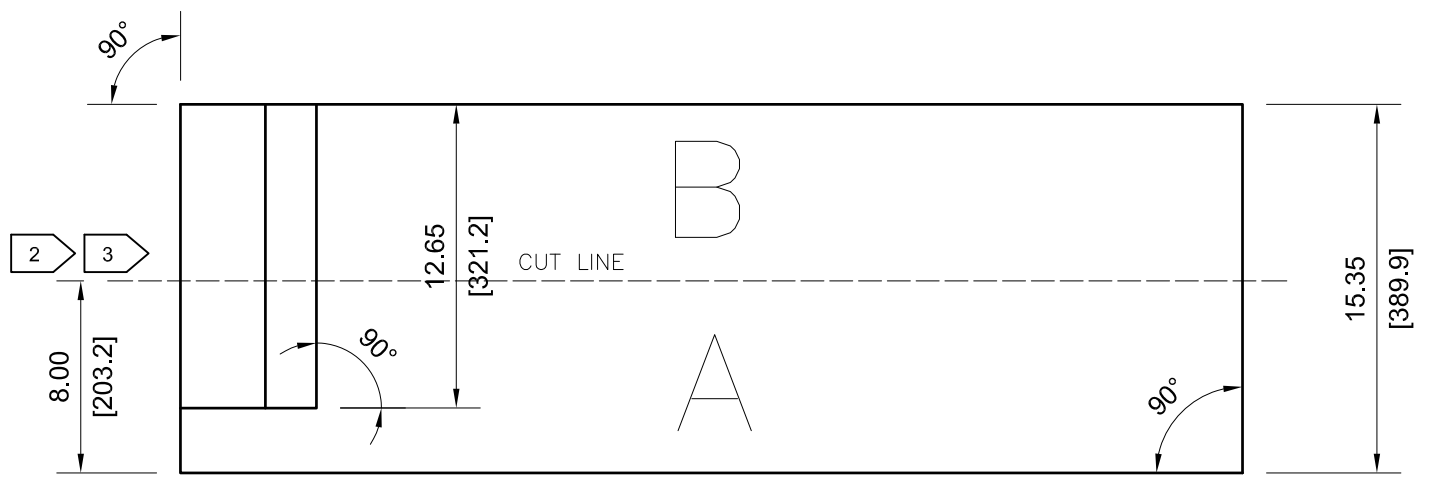
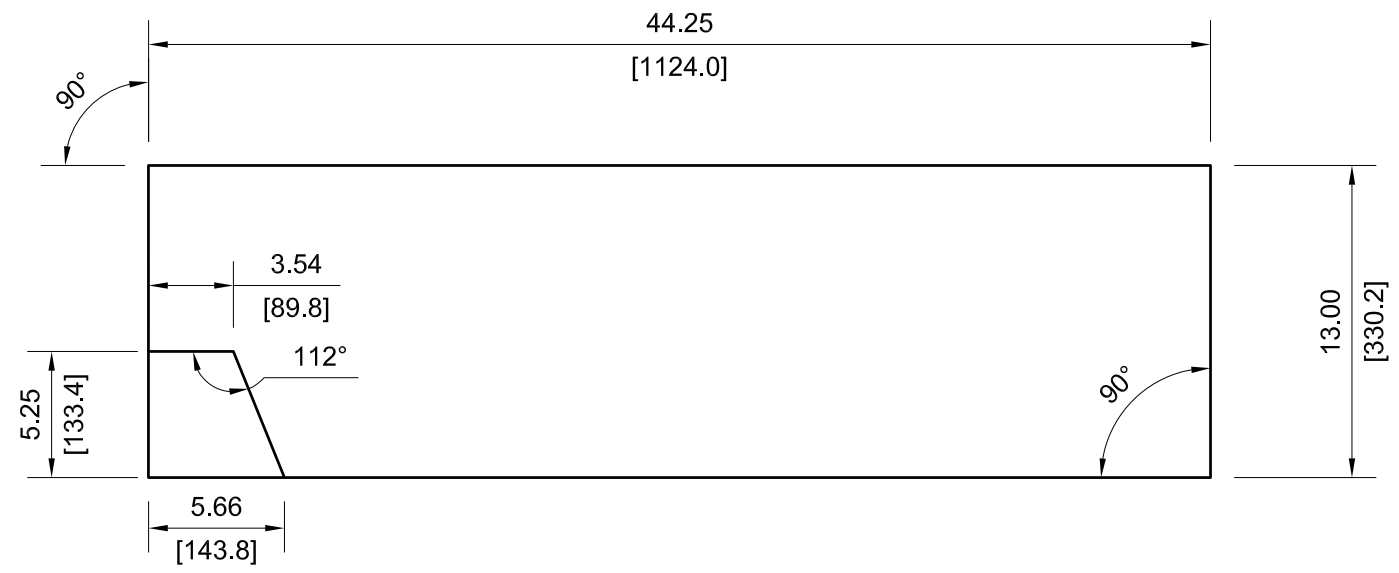
-31



DRAWING NUMBER				
AES-D0006				
SIZE	SCALE	SHEET	OF	REVISION
A3	NONE	17	166	D

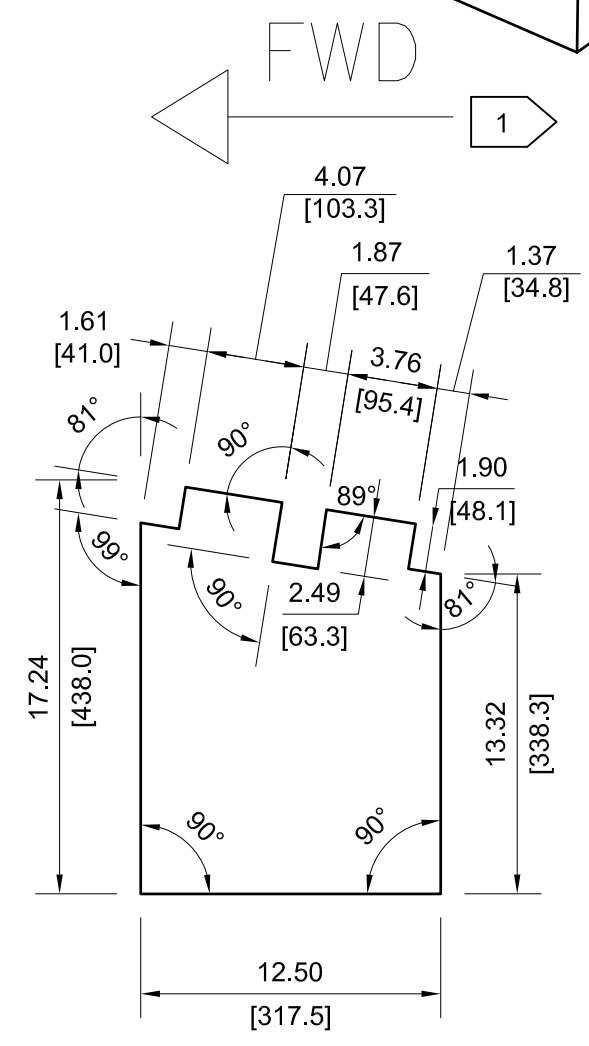
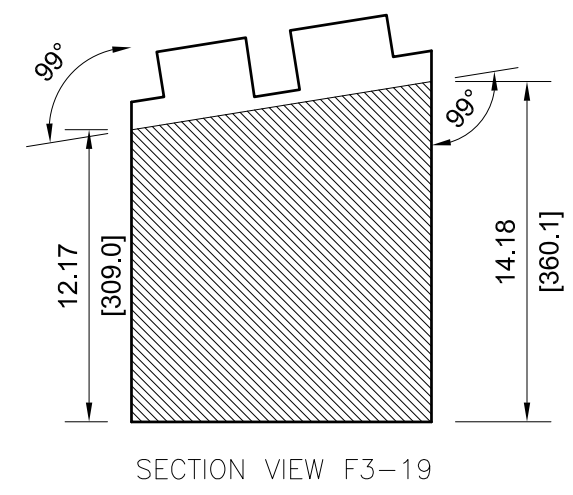
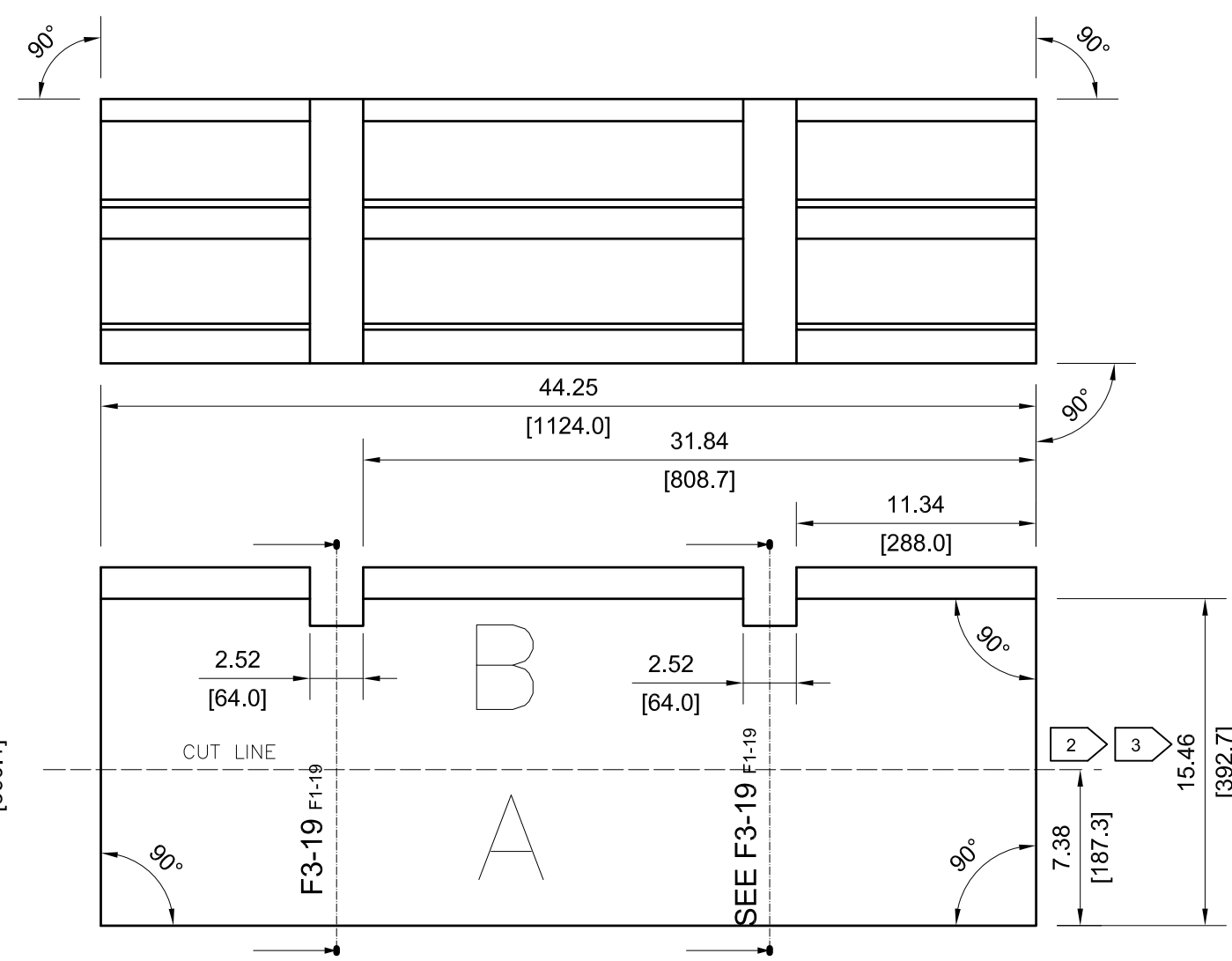
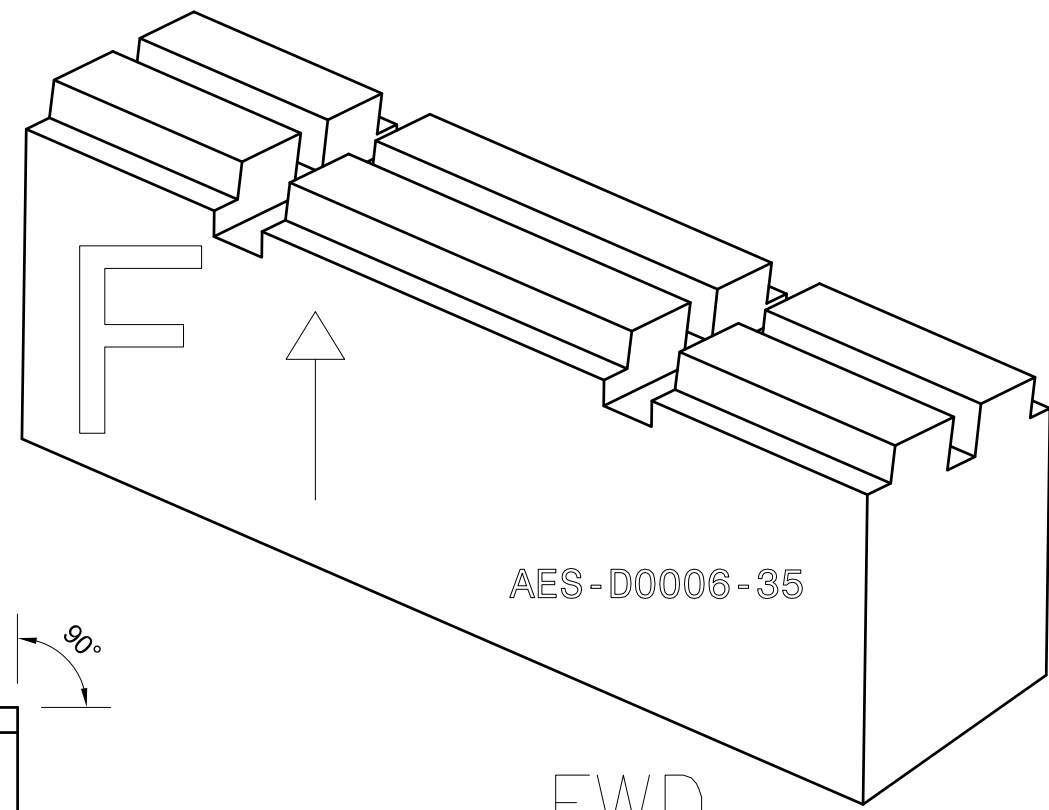
1 2 3 4 5 6 7 8

33



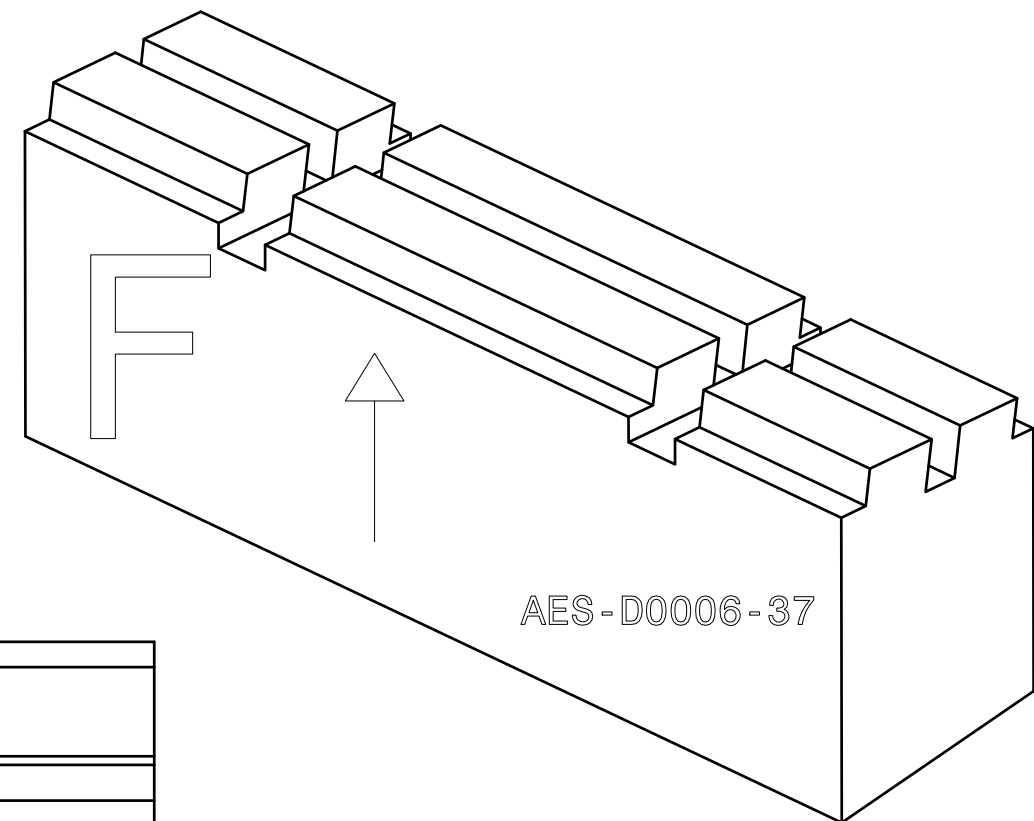
DRAWING NUMBER					AES-D0006	
SIZE	SCALE	SHEET	OF	REVISION		
A3	NONE	18	166	D		

35

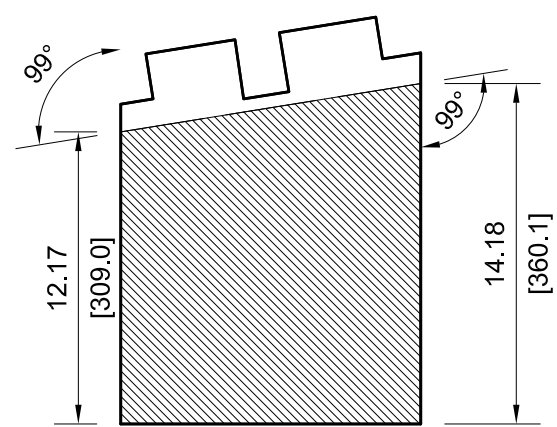
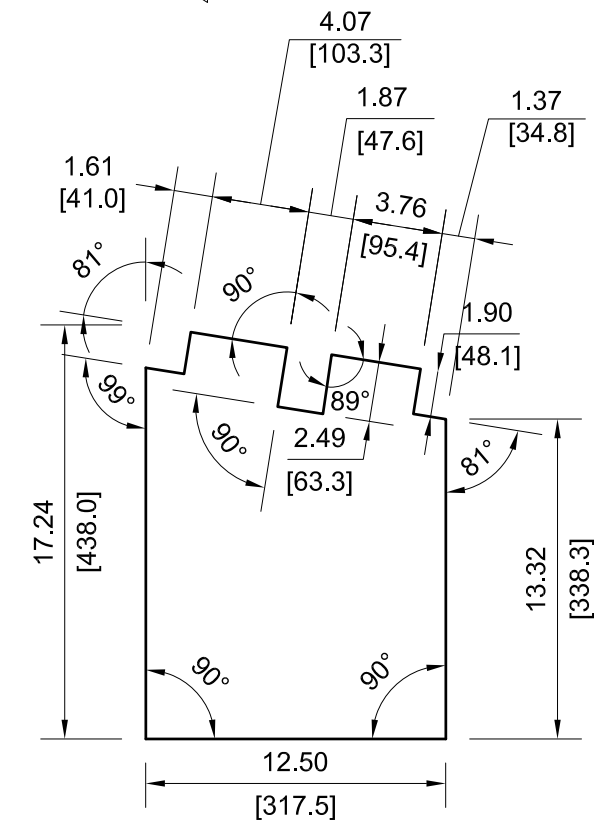
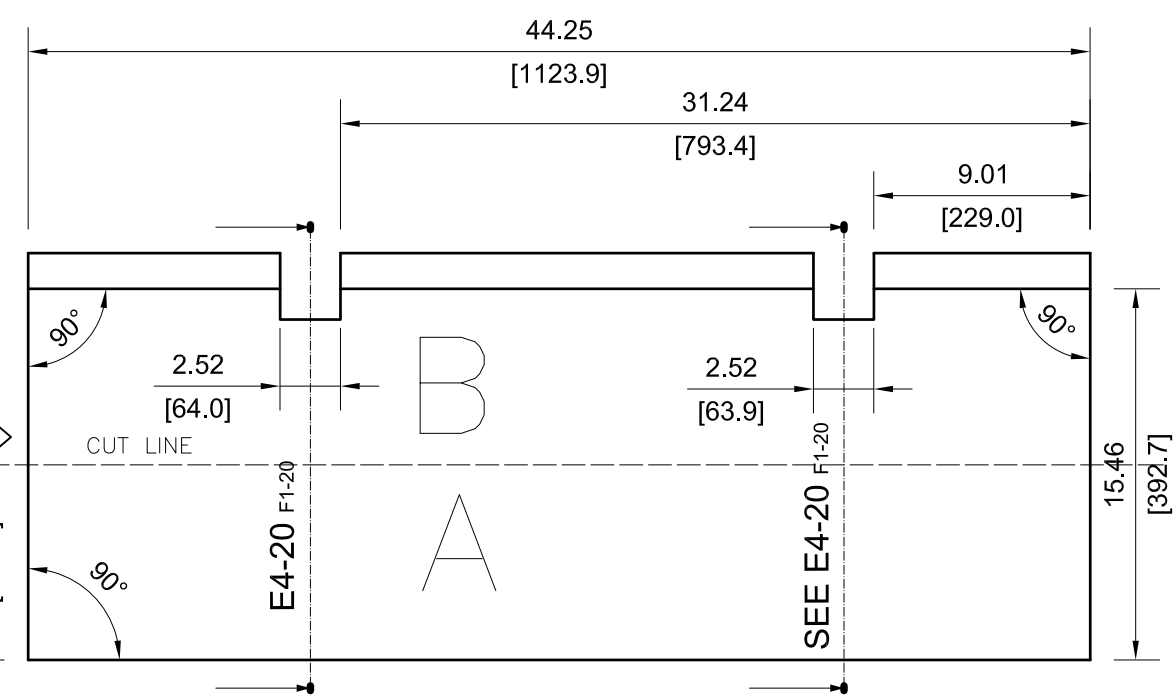
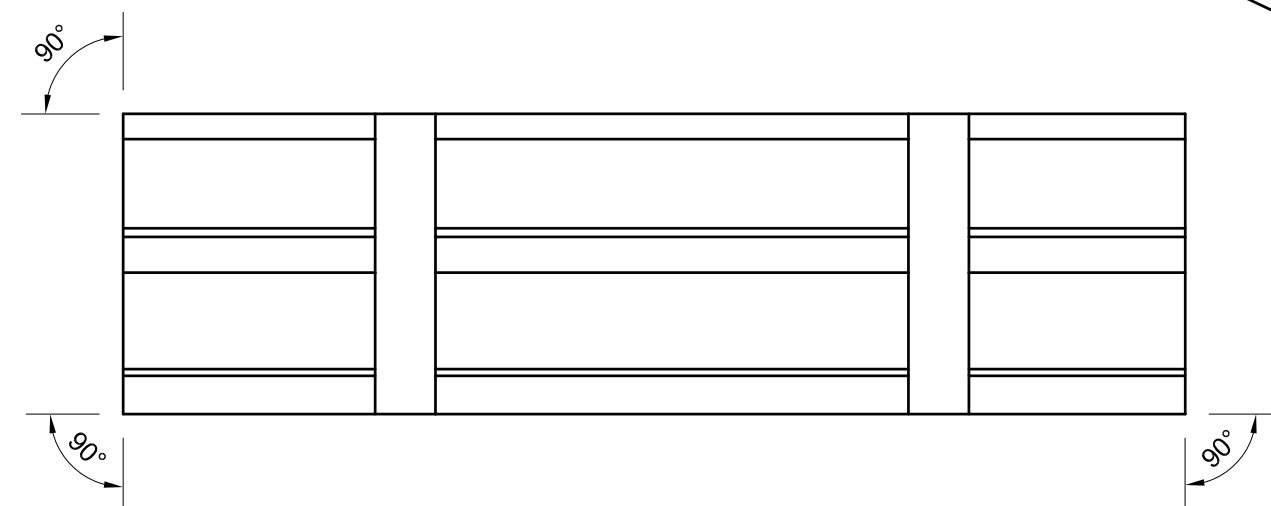


		DRAWING NUMBER			
		AES-D0006			
SIZE	SCALE	SHEET	OF	REVISION	
A3	NONE	19	166	D	

37



AES-D0006-37

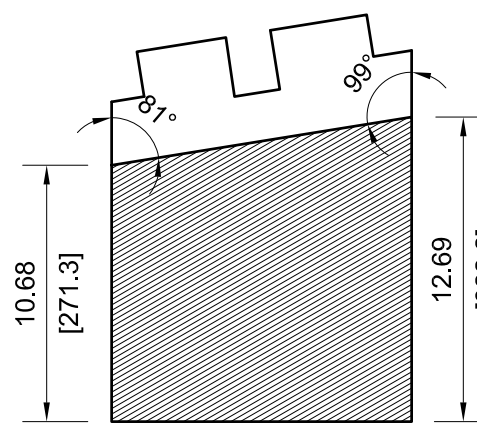
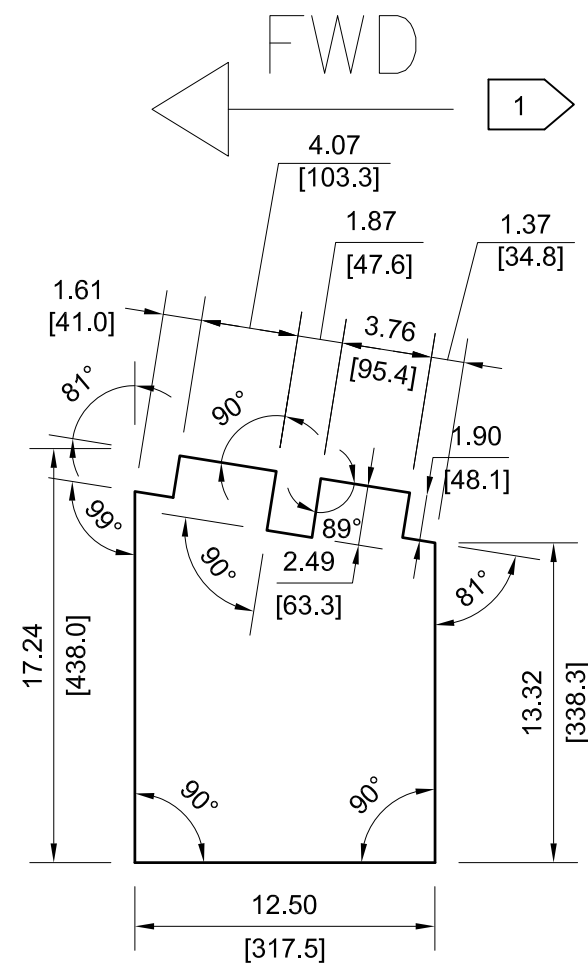
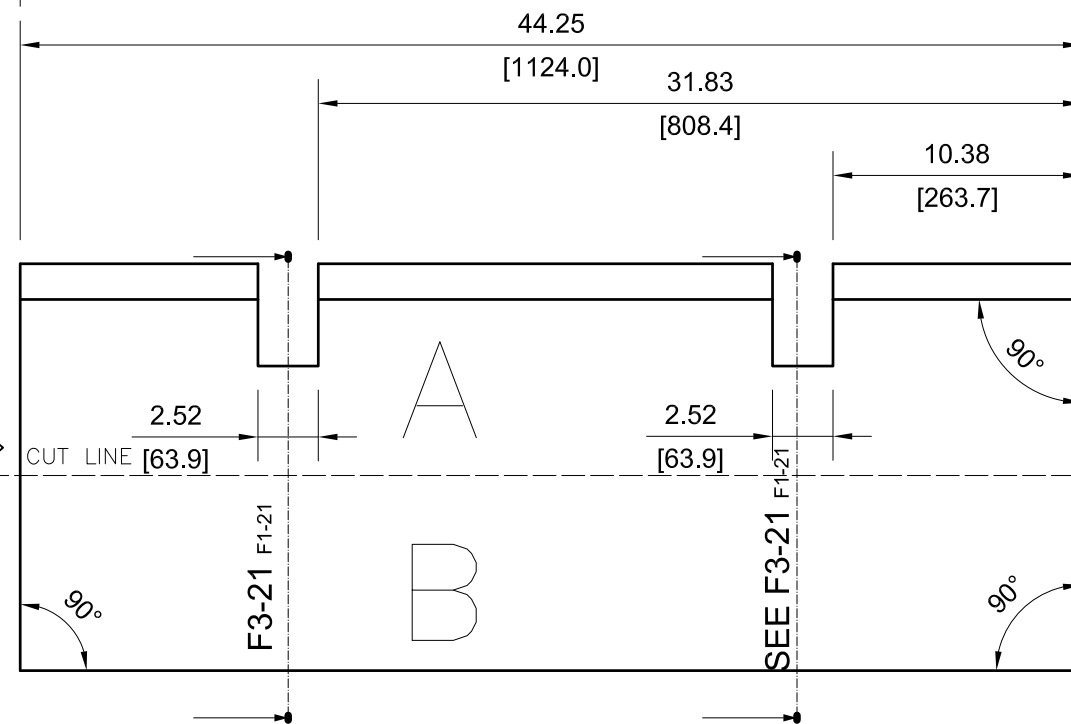
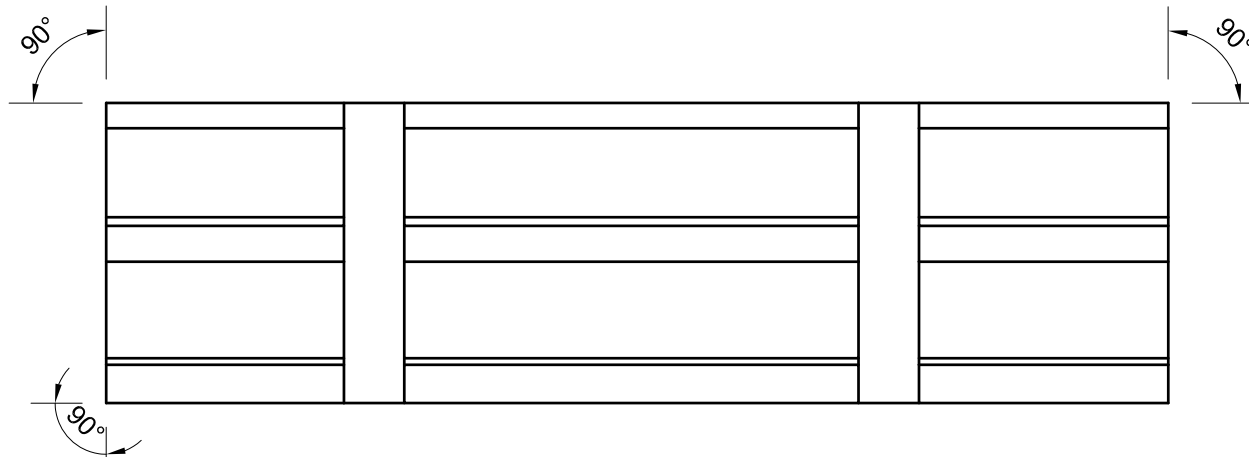
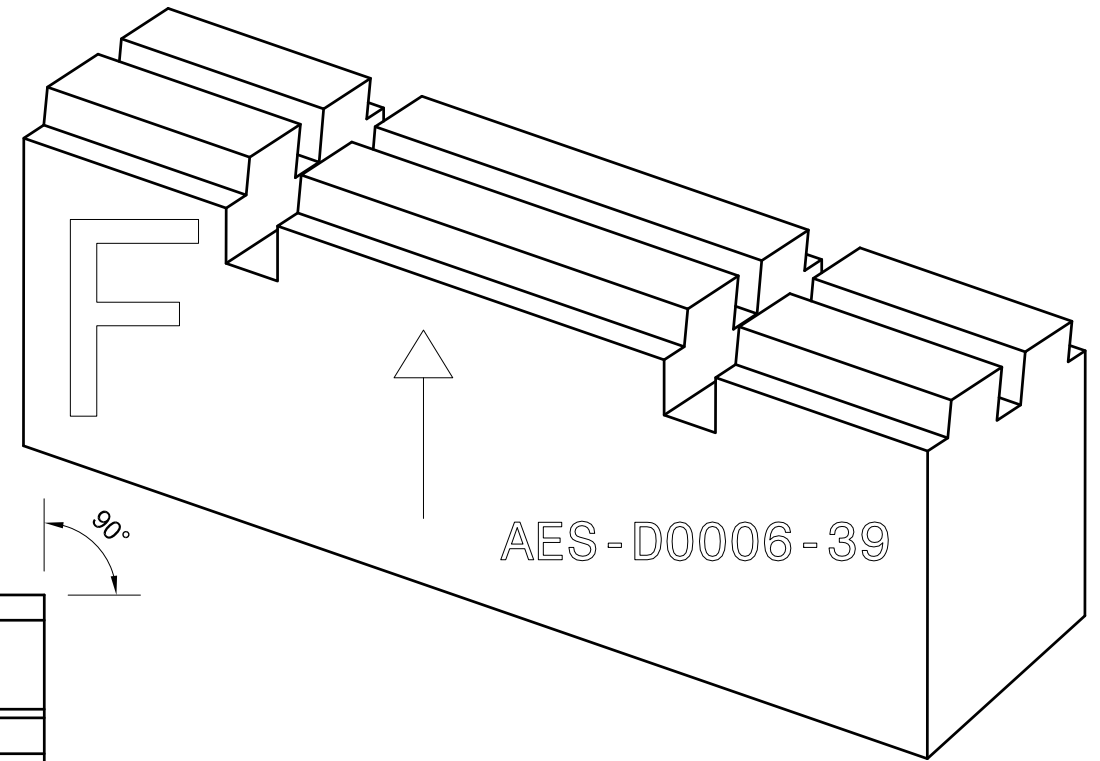


SECTION VIEW E4-20



DRAWING NUMBER				
AES-D0006				
SIZE	SCALE	SHEET	OF	REVISION
A3	NONE	20	166	D

39

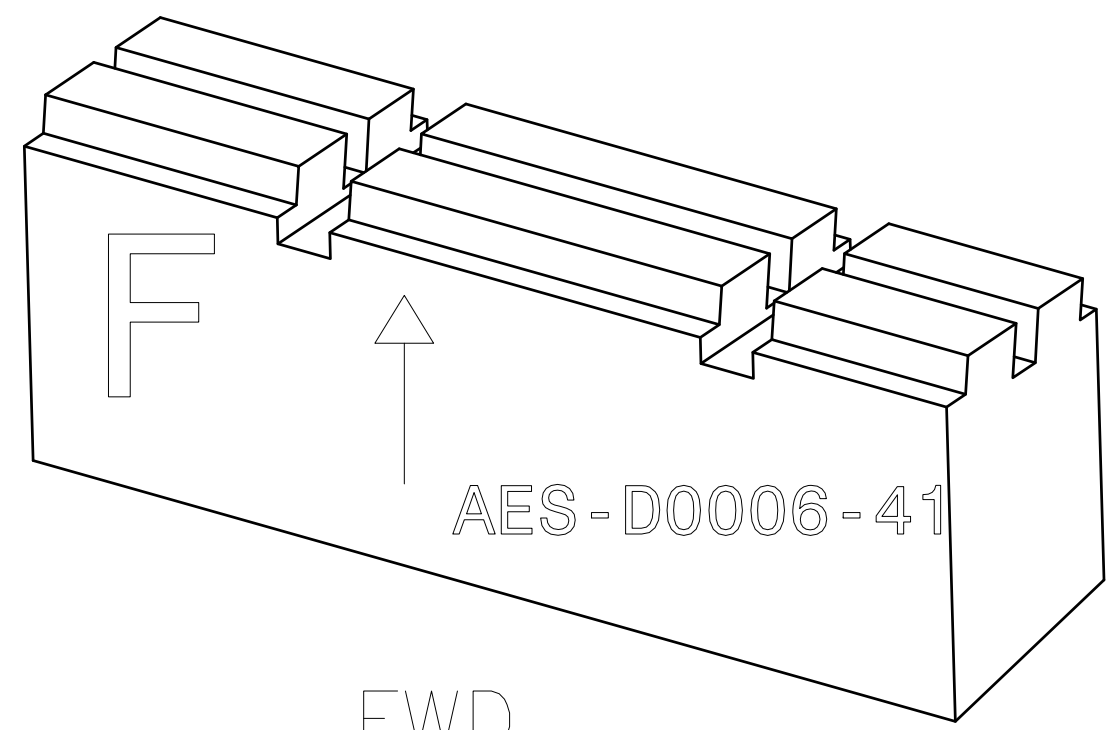


SECTION VIEW F3-21

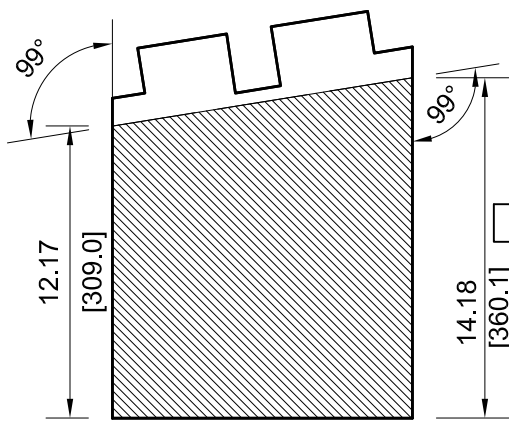
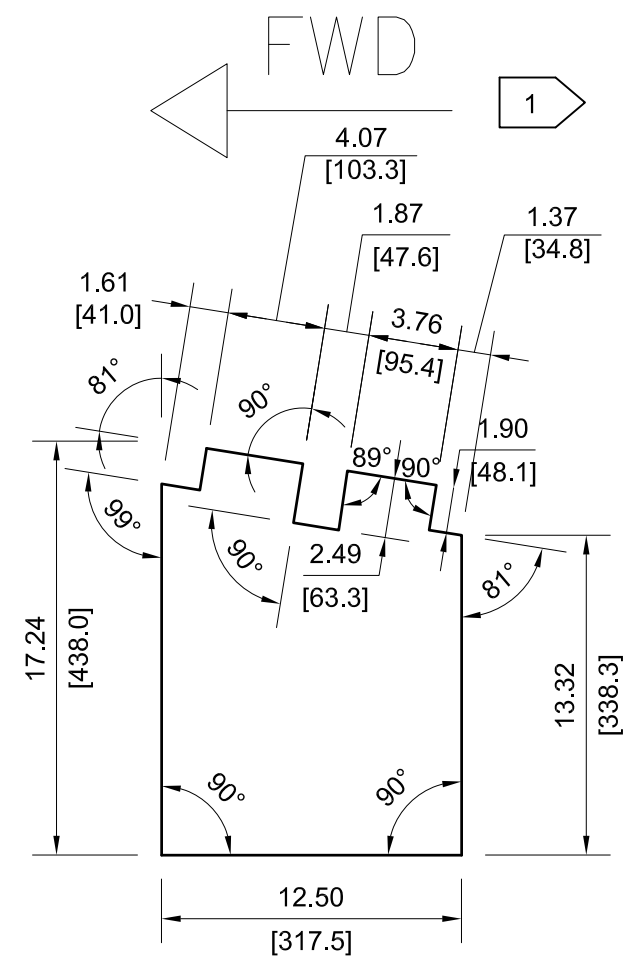
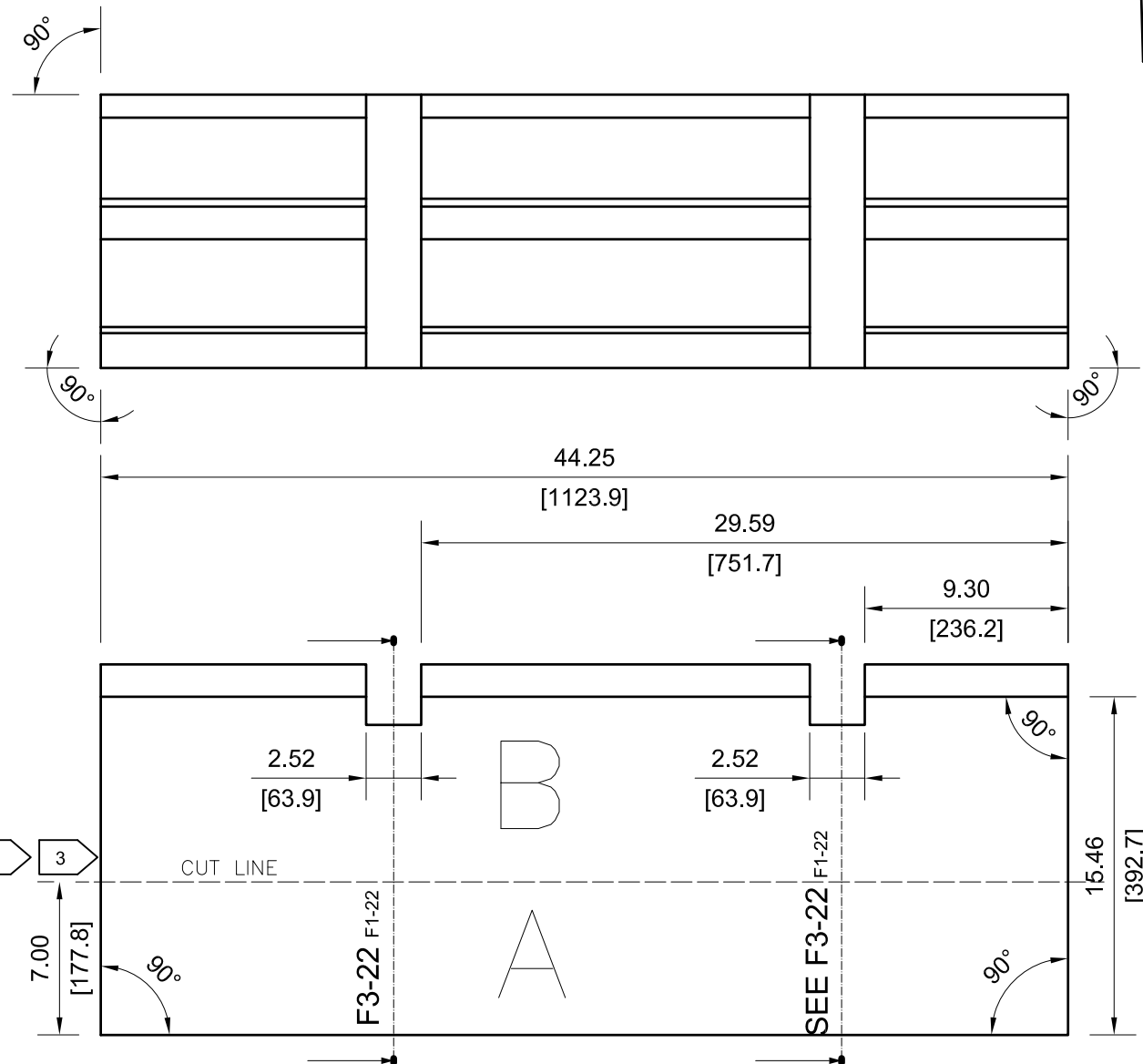


DRAWING NUMBER				
AES-D0006				
SIZE	SCALE	SHEET	OF	REVISION
A3	NONE	21	166	D

41



AES-D0006-41

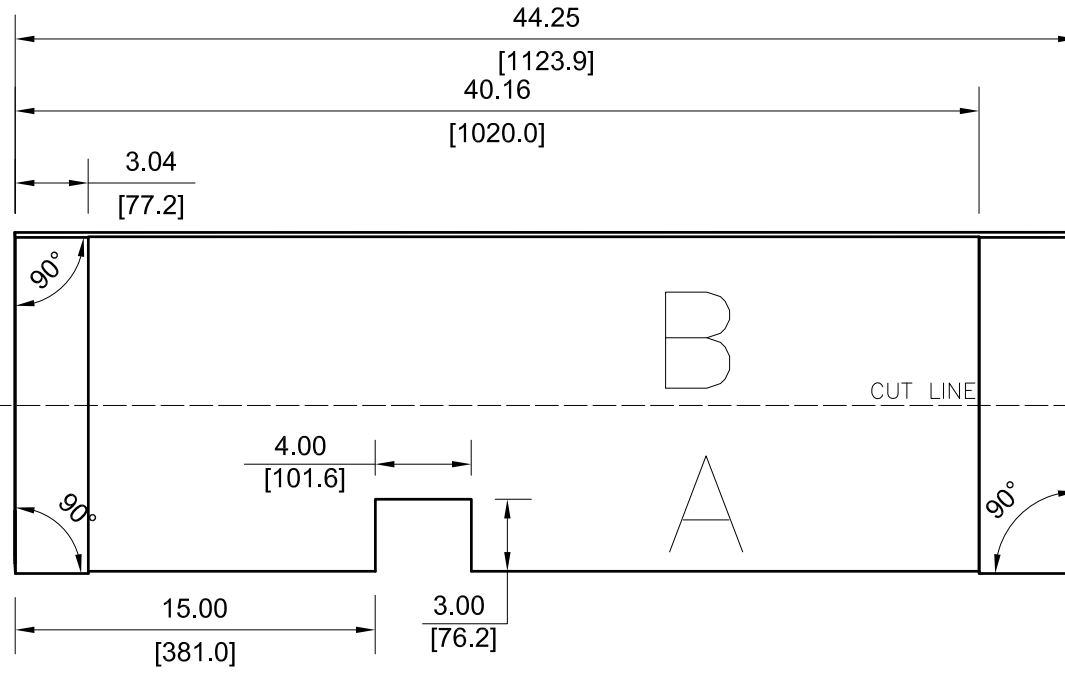
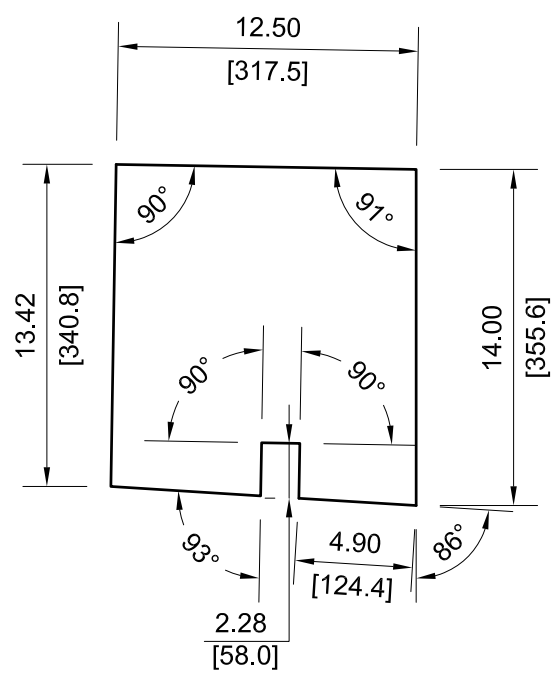
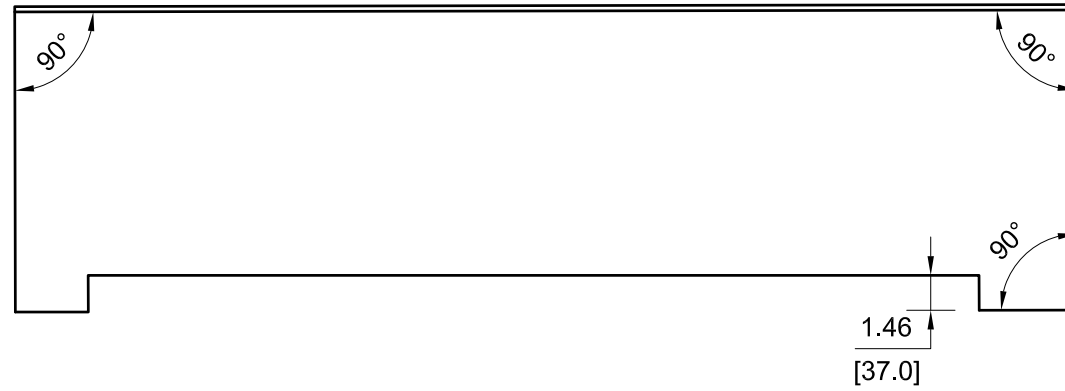
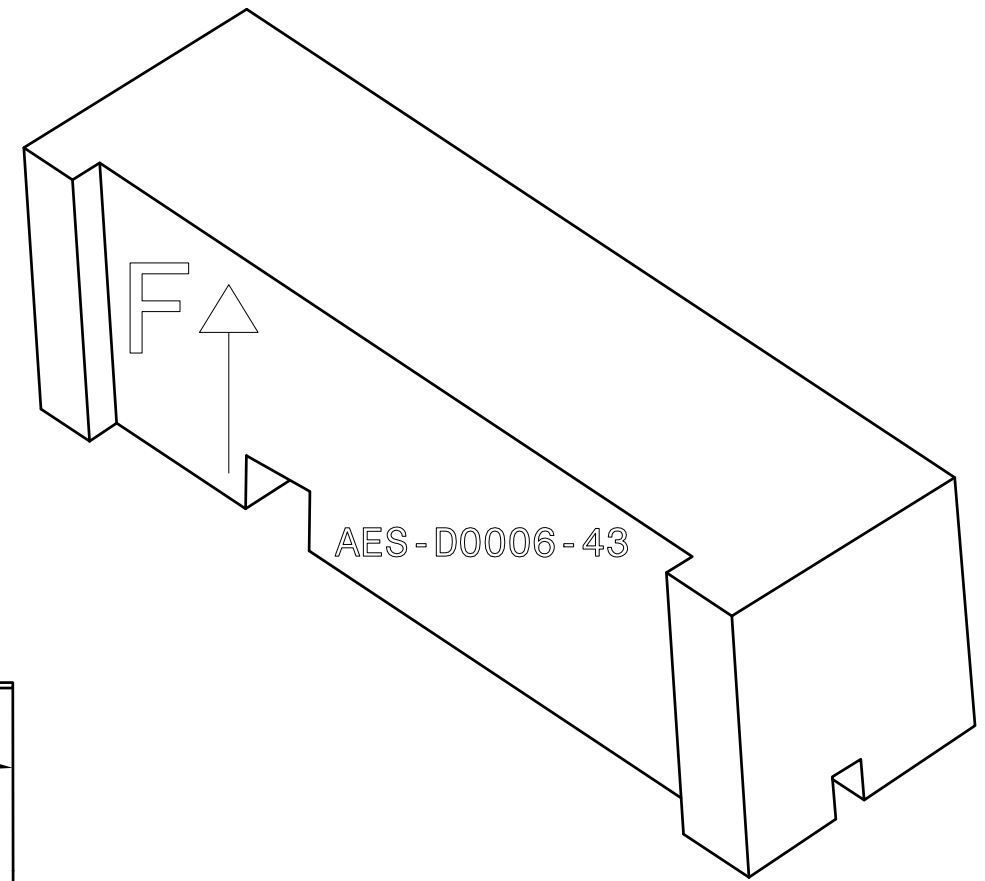


SECTION VIEW F3-22



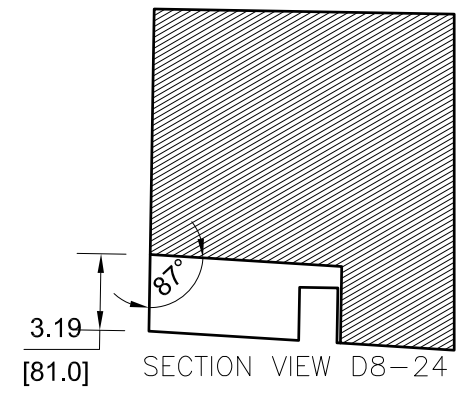
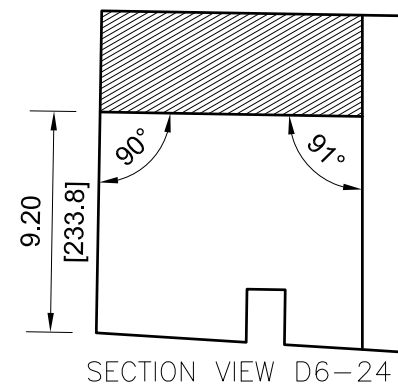
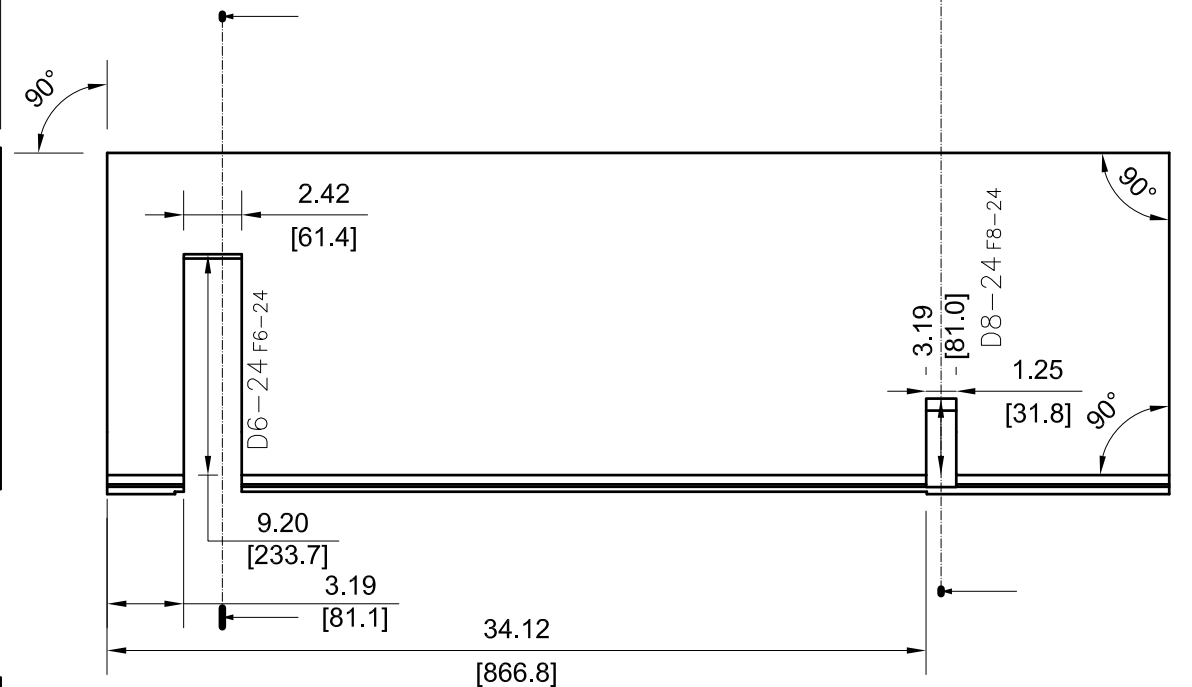
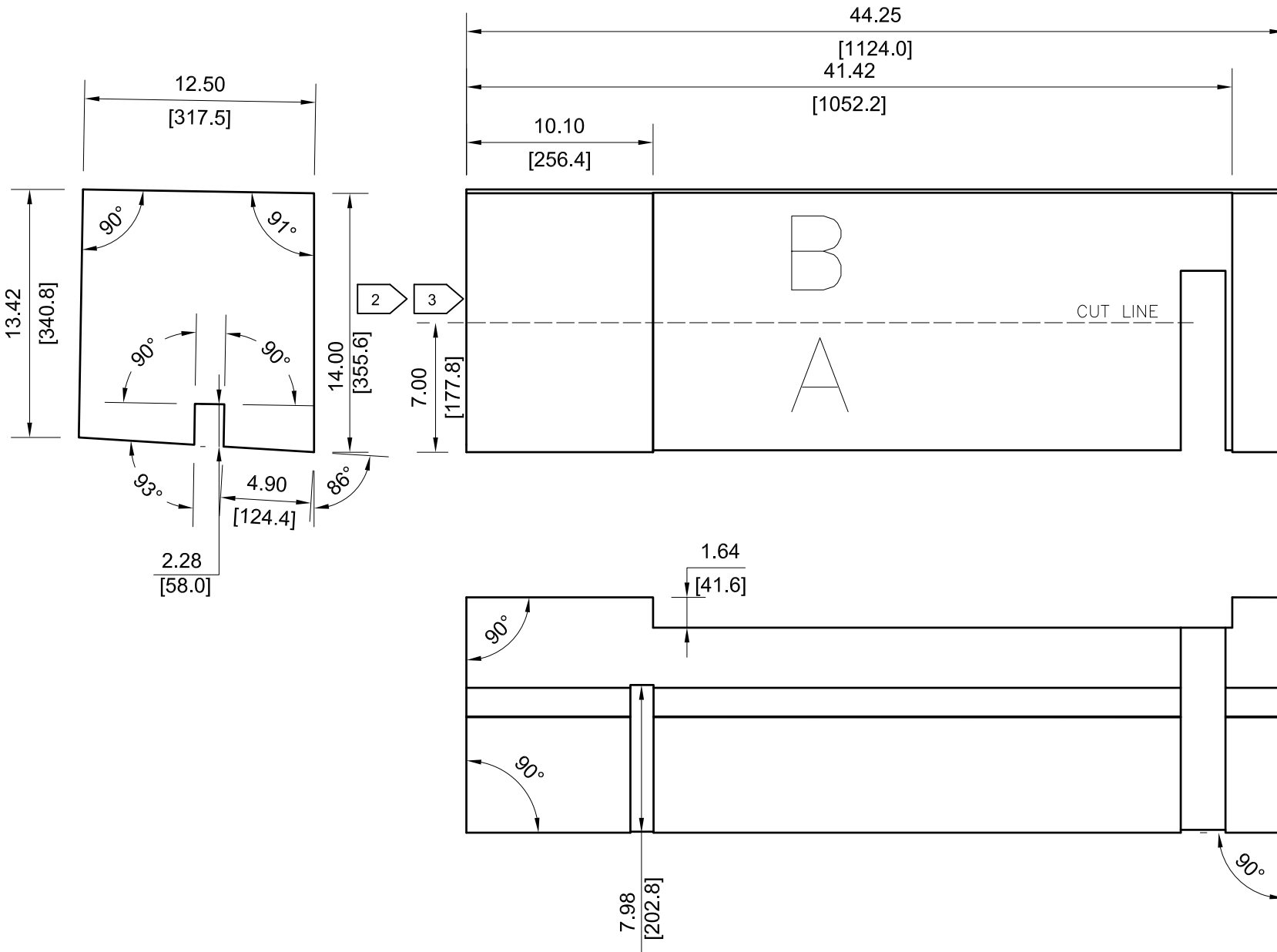
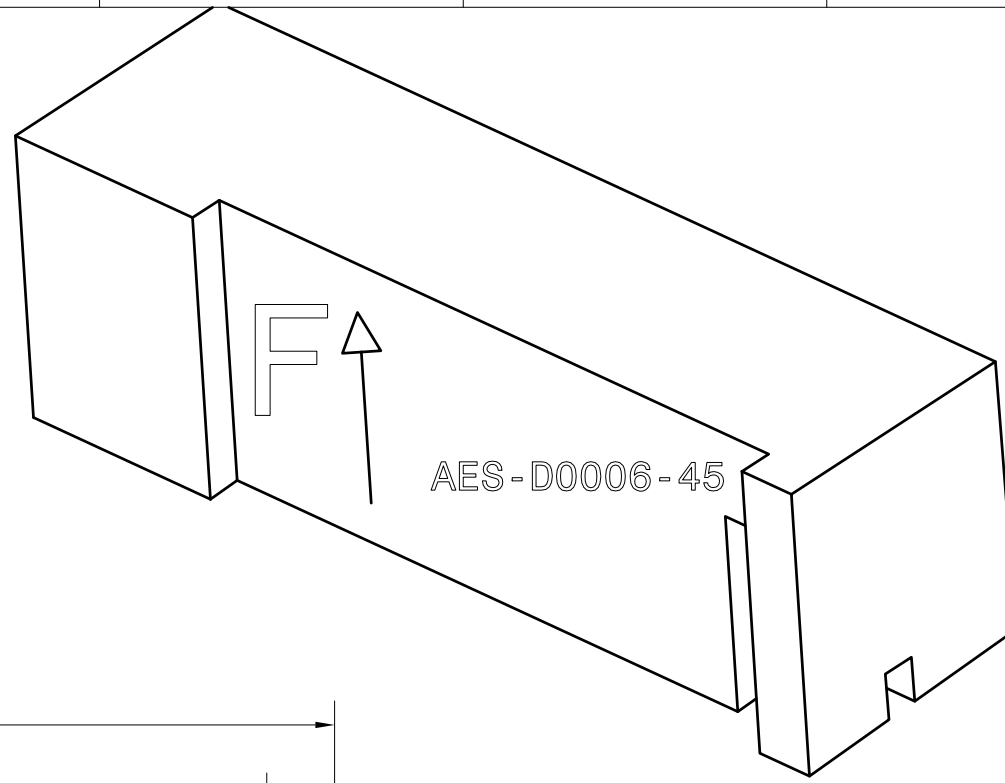
DRAWING NUMBER				
AES-D0006				
SIZE	SCALE	SHEET	OF	REVISION
A3	NONE	22	166	D

43

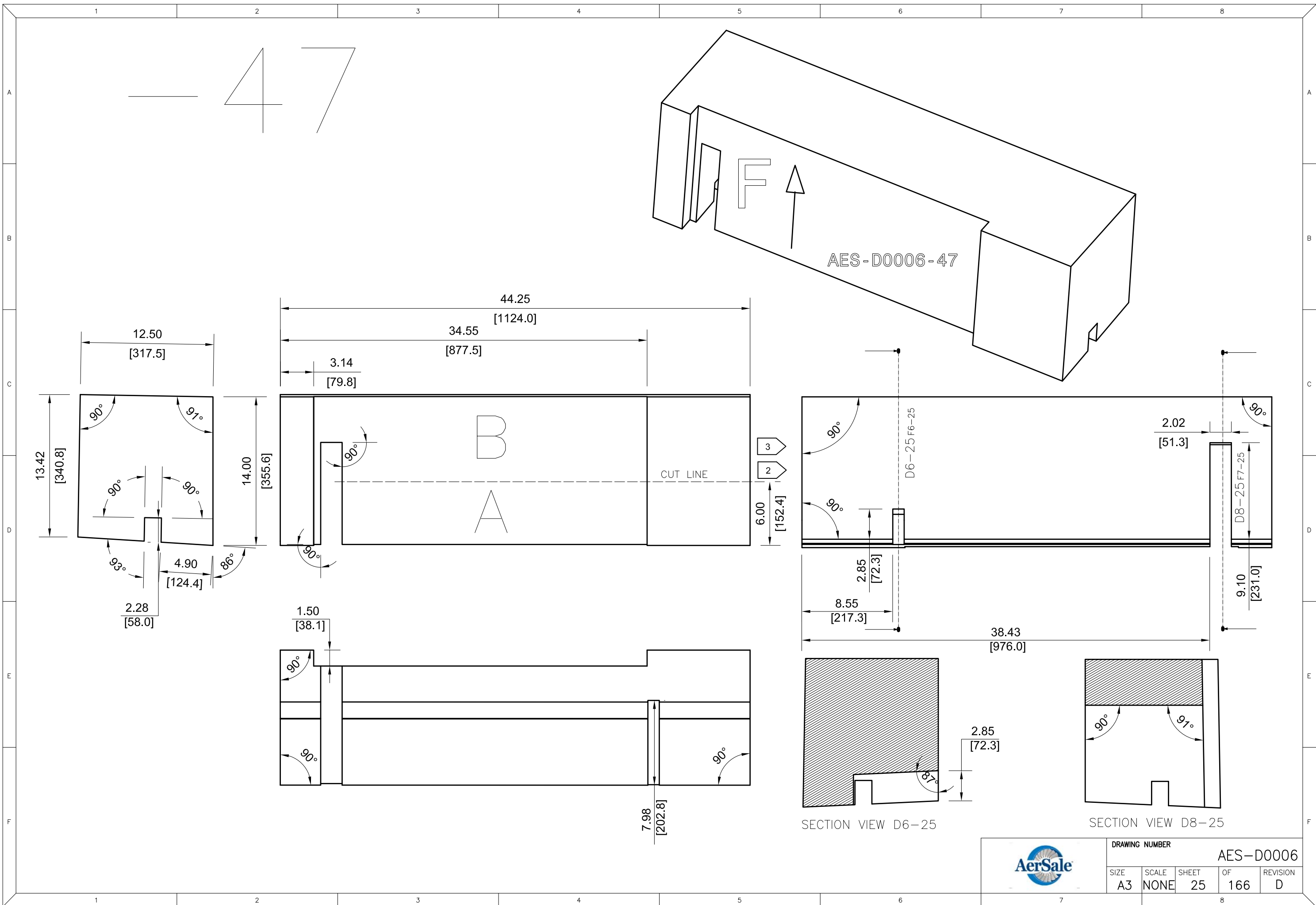



	DRAWING NUMBER				AES-D0006
	SIZE	SCALE	SHEET	OF	REVISION
A3	NONE	23	166	D	

45

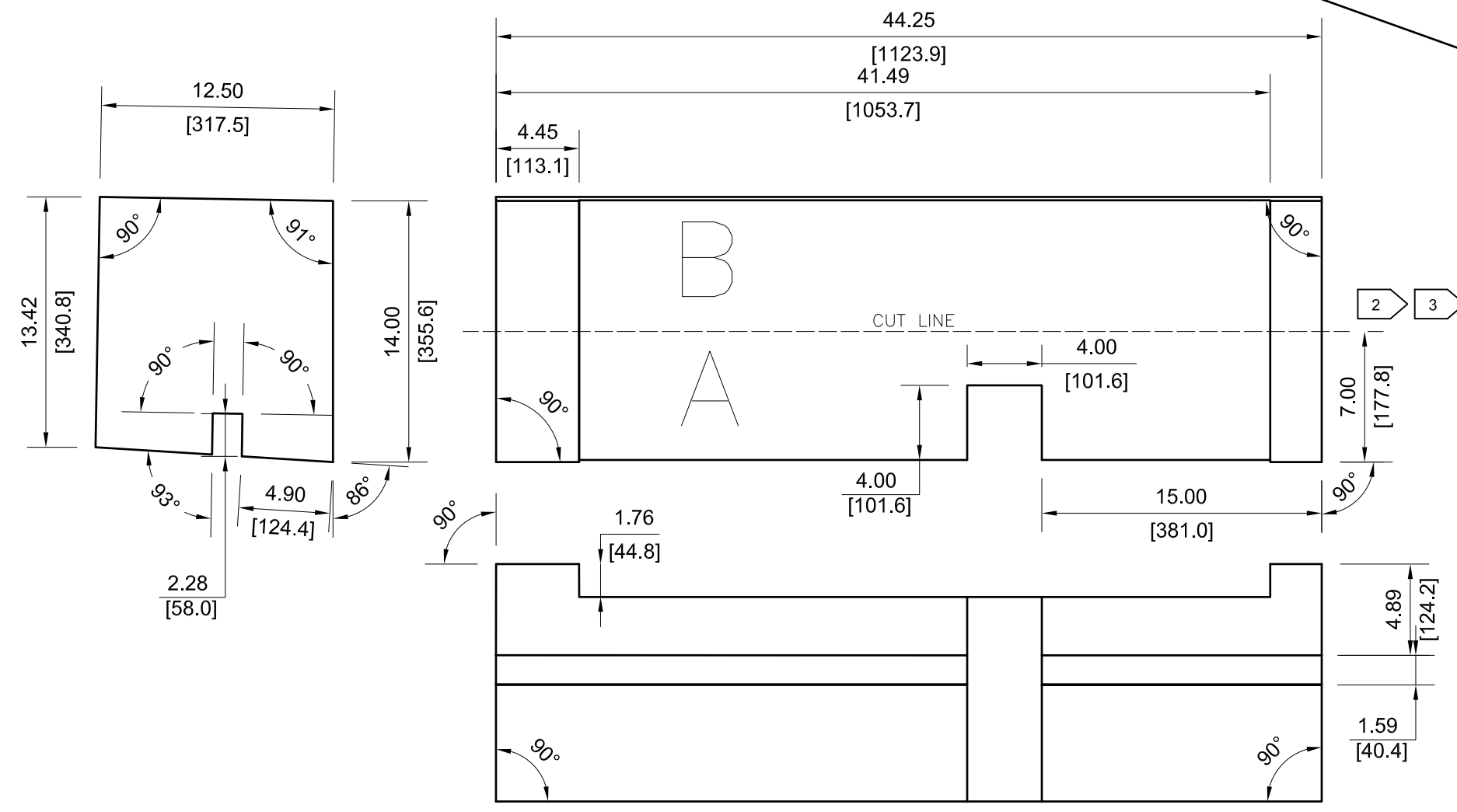
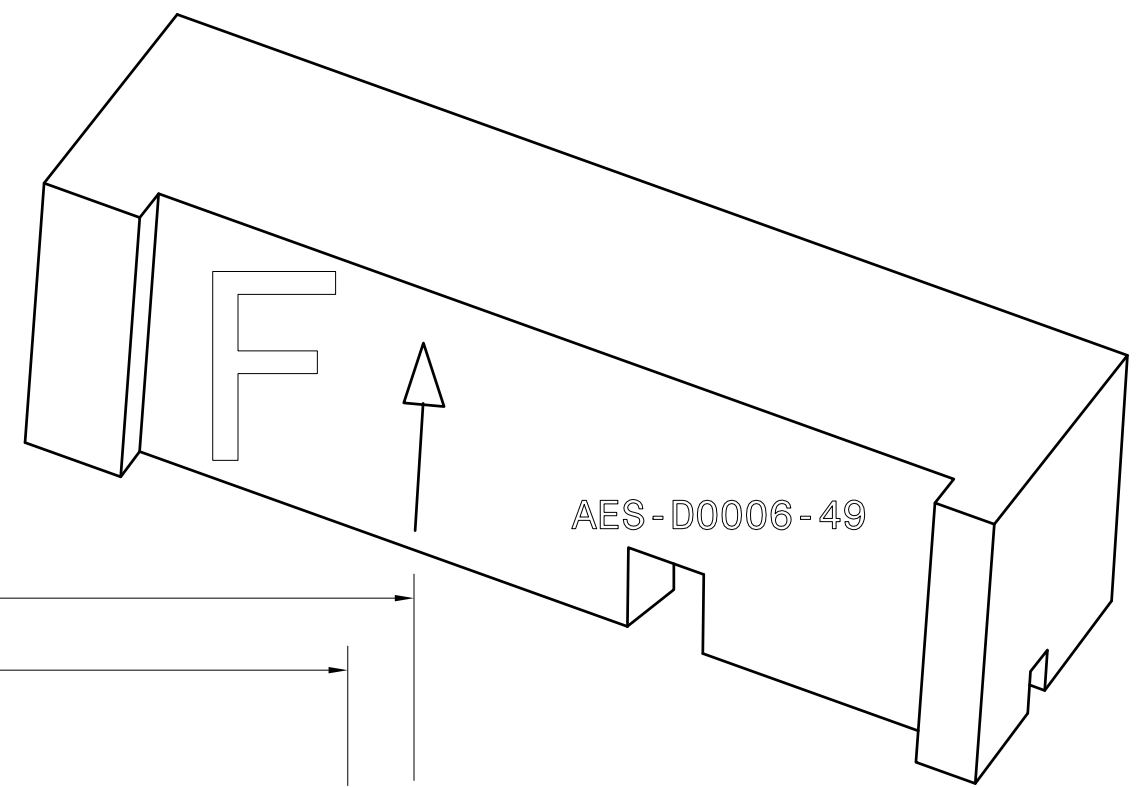


		DRAWING NUMBER			
		AES-D0006			
SIZE	SCALE	SHEET	OF	REVISION	
A3	NONE	24	166	D	

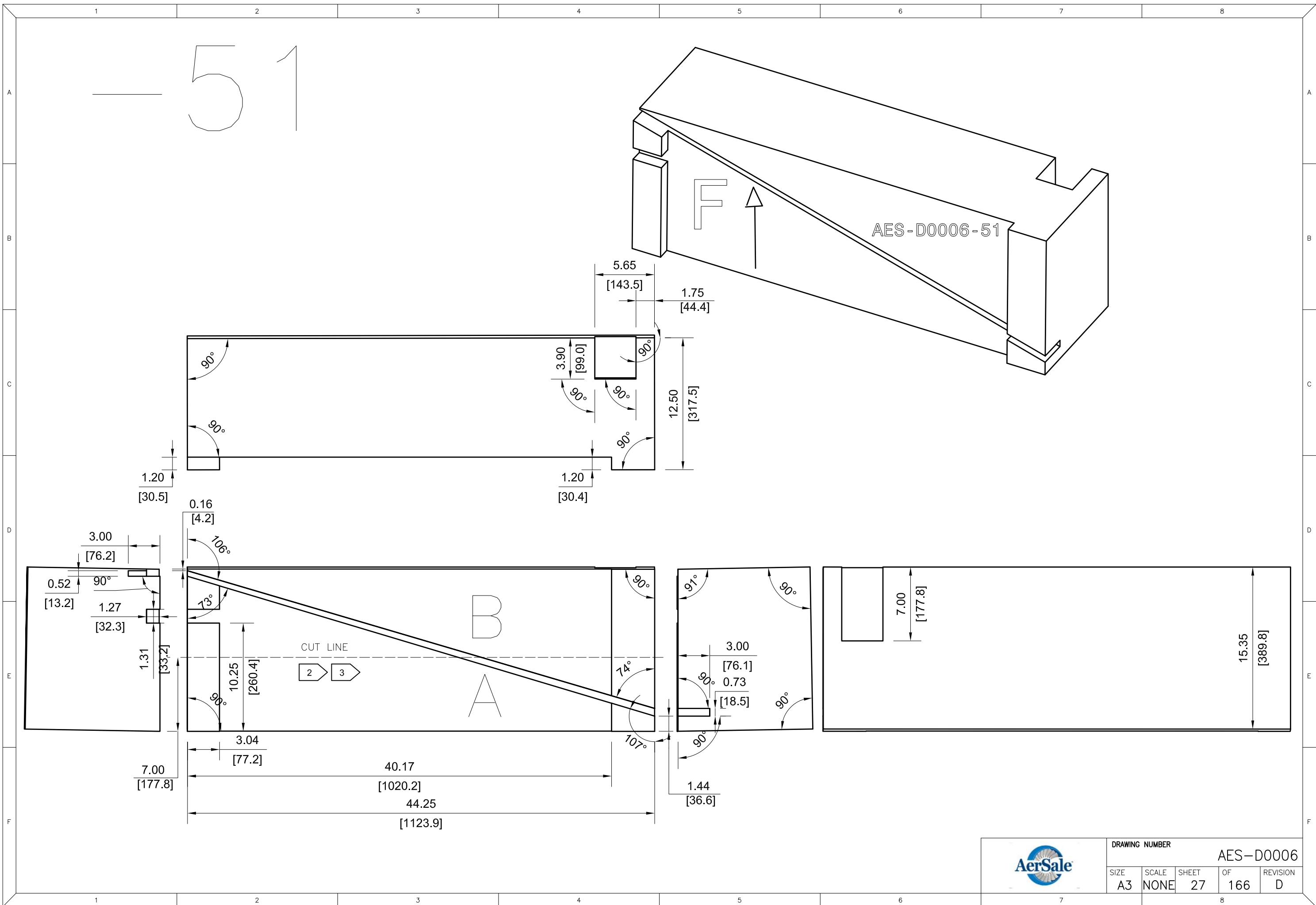



		DRAWING NUMBER			
		AES-D0006			
SIZE	SCALE	SHEET	OF	REVISION	
A3	NONE	25	166	D	

49

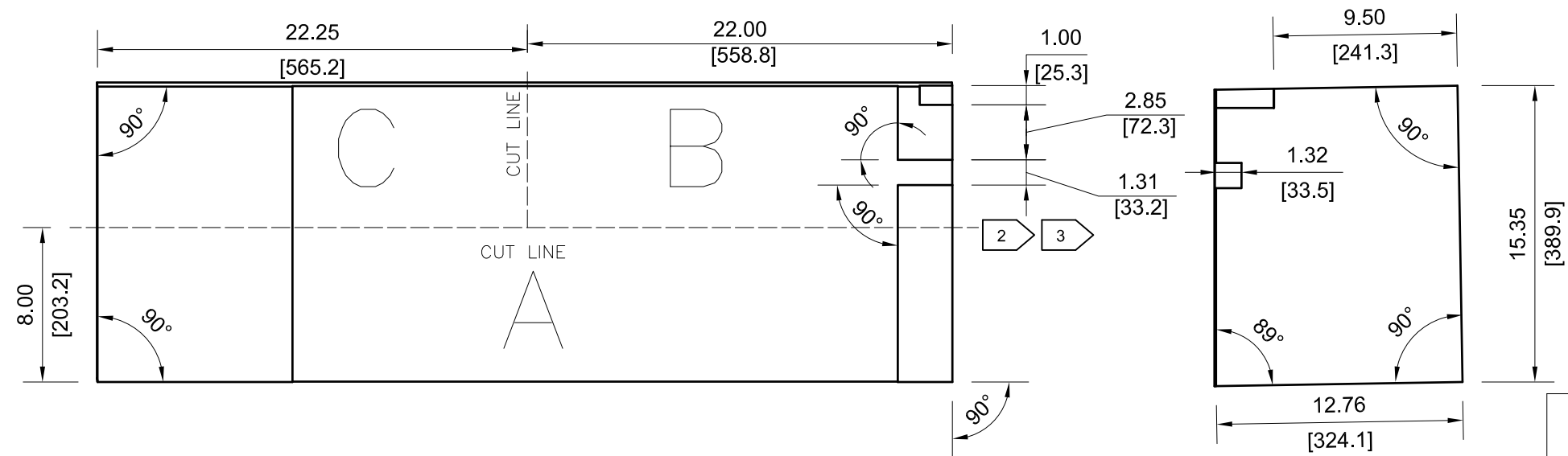
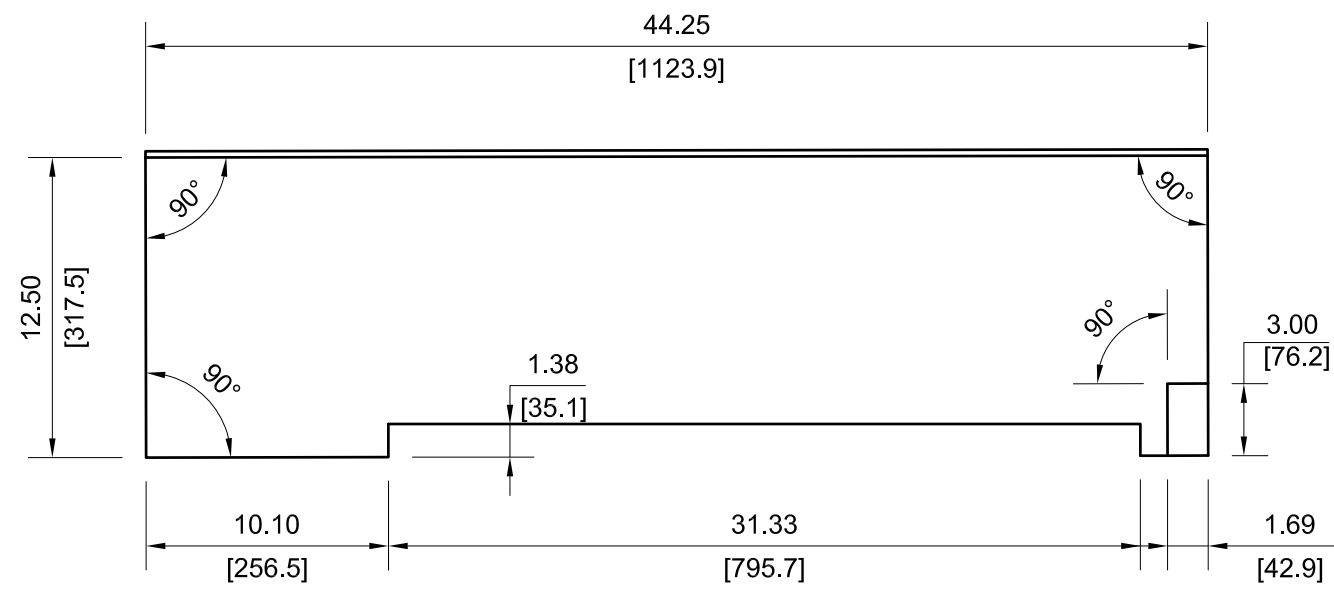
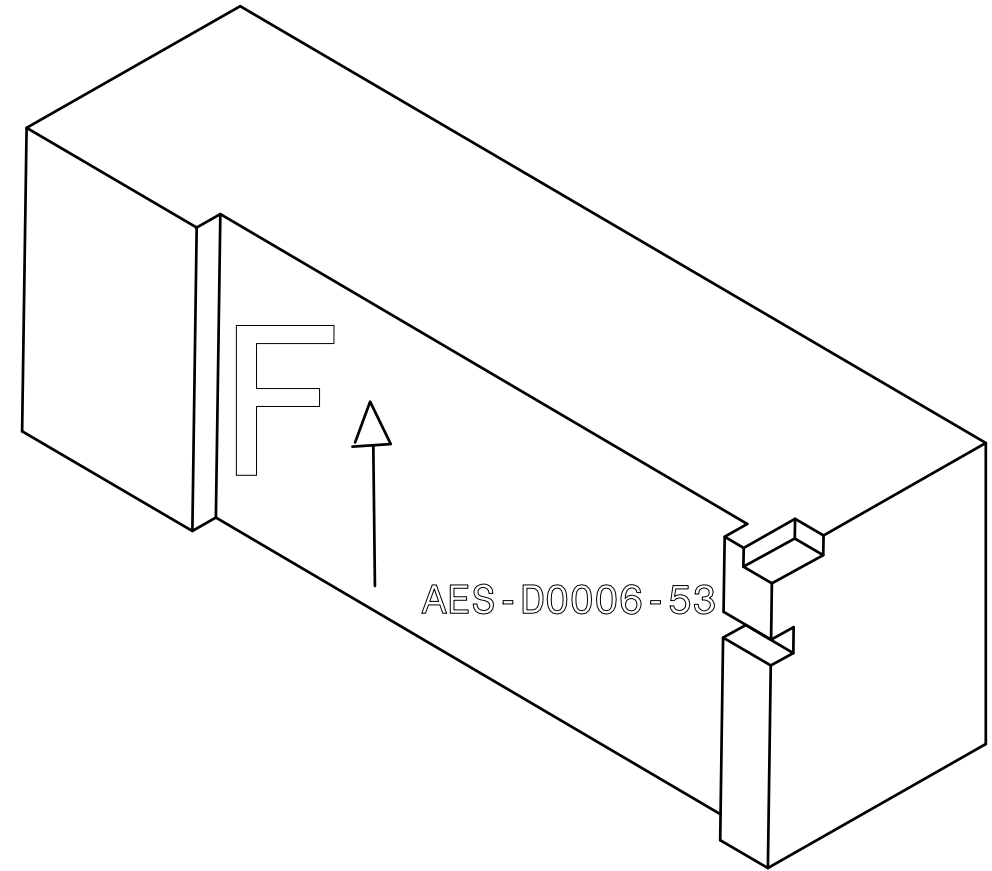


	DRAWING NUMBER				AES-D0006
	SIZE	SCALE	SHEET	OF	REVISION
A3	NONE	26	166	D	



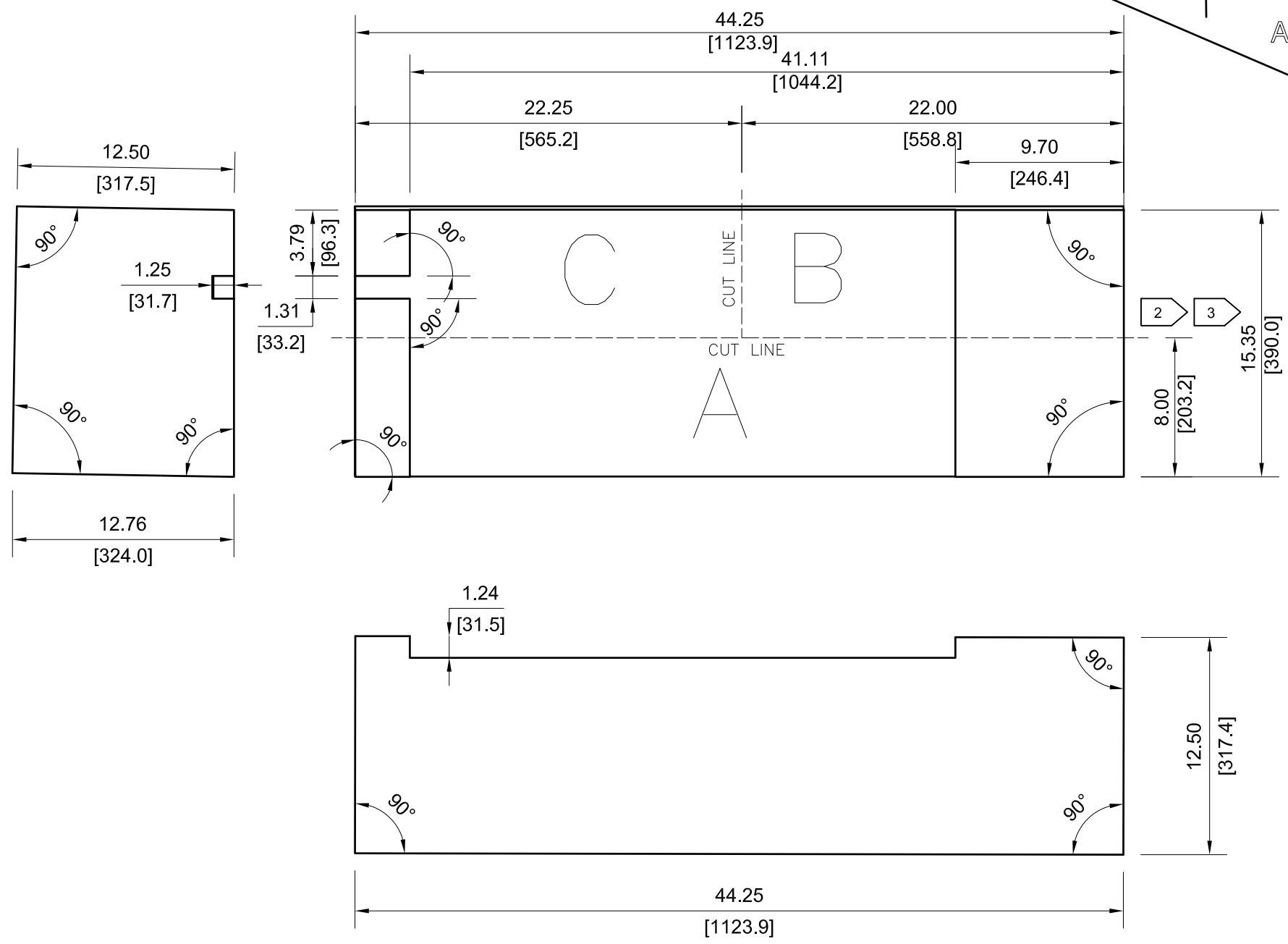
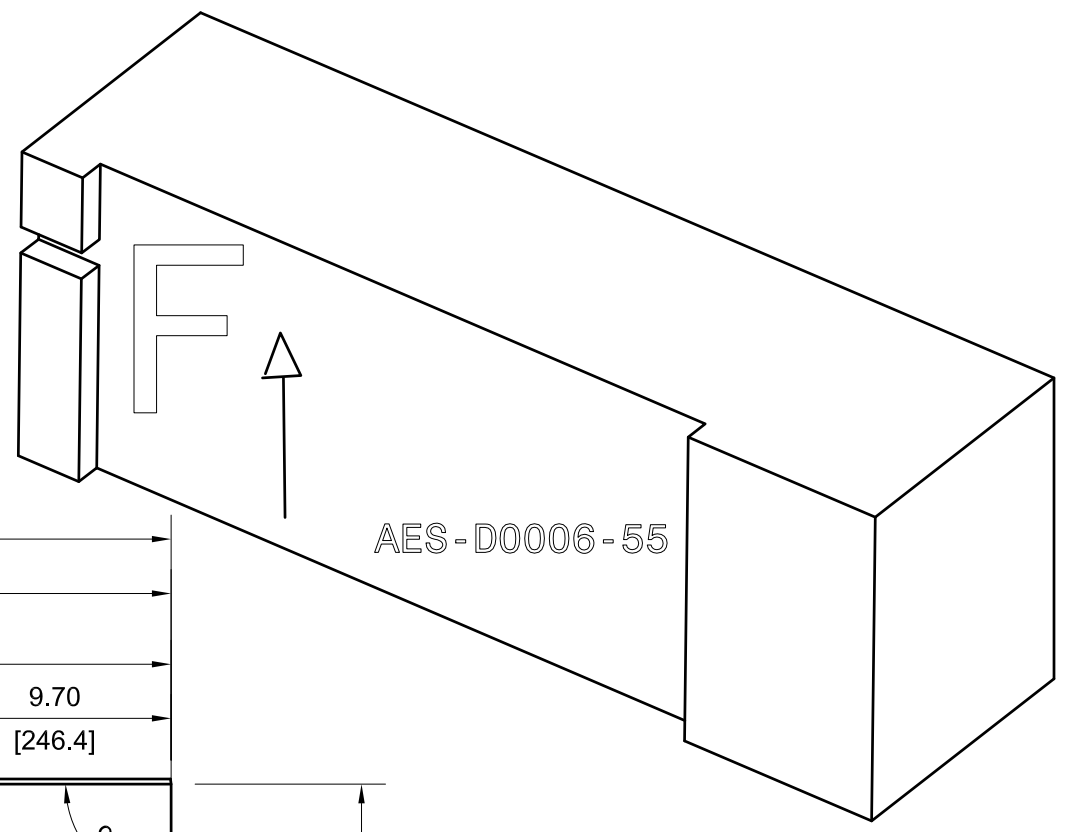
		DRAWING NUMBER			
		AES-D0006			
SIZE	SCALE	SHEET	OF	REVISION	
A3	NONE	27	166	D	


53

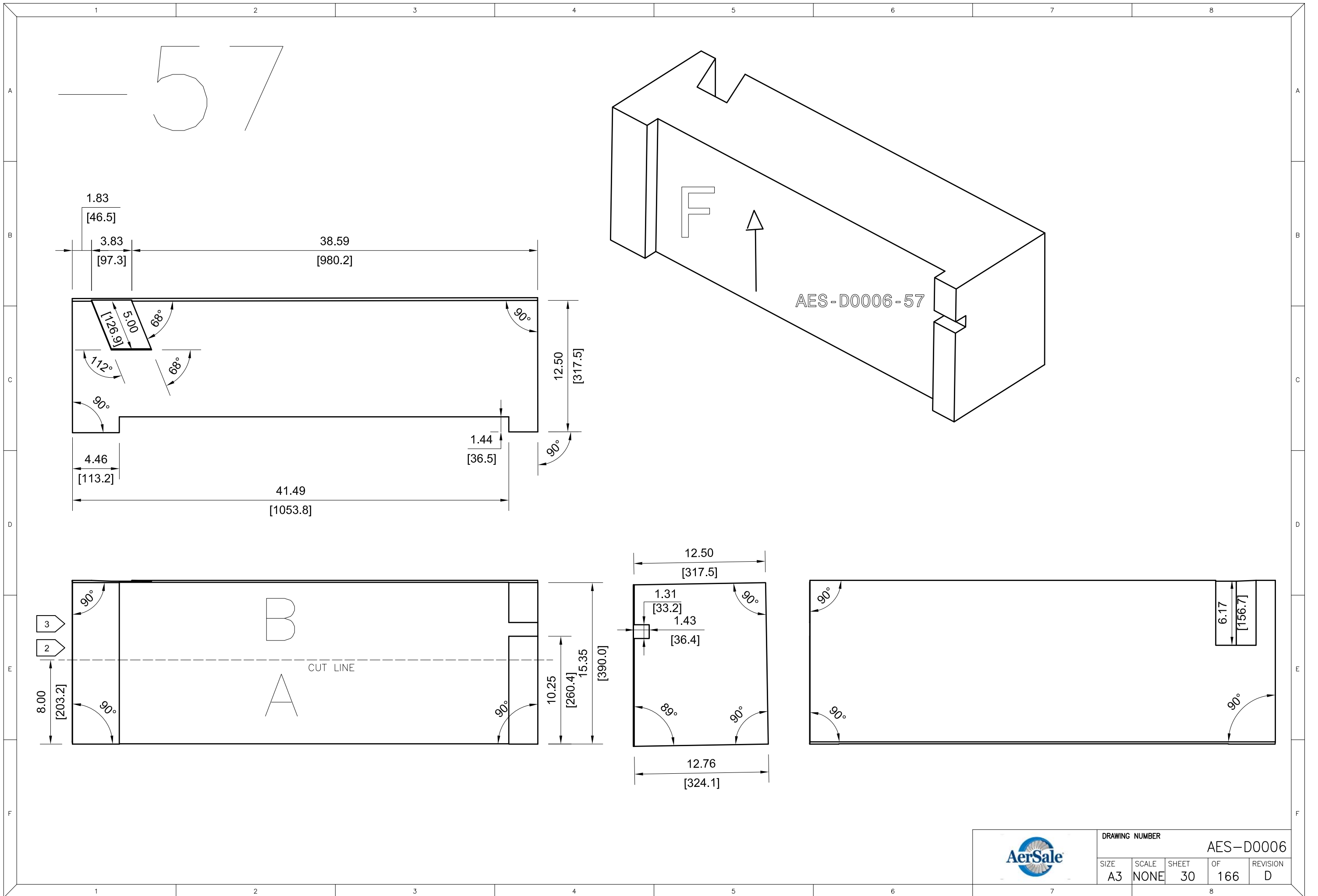



DRAWING NUMBER				
AES-D0006				
SIZE	SCALE	SHEET	OF	REVISION
A3	NONE	28	166	D

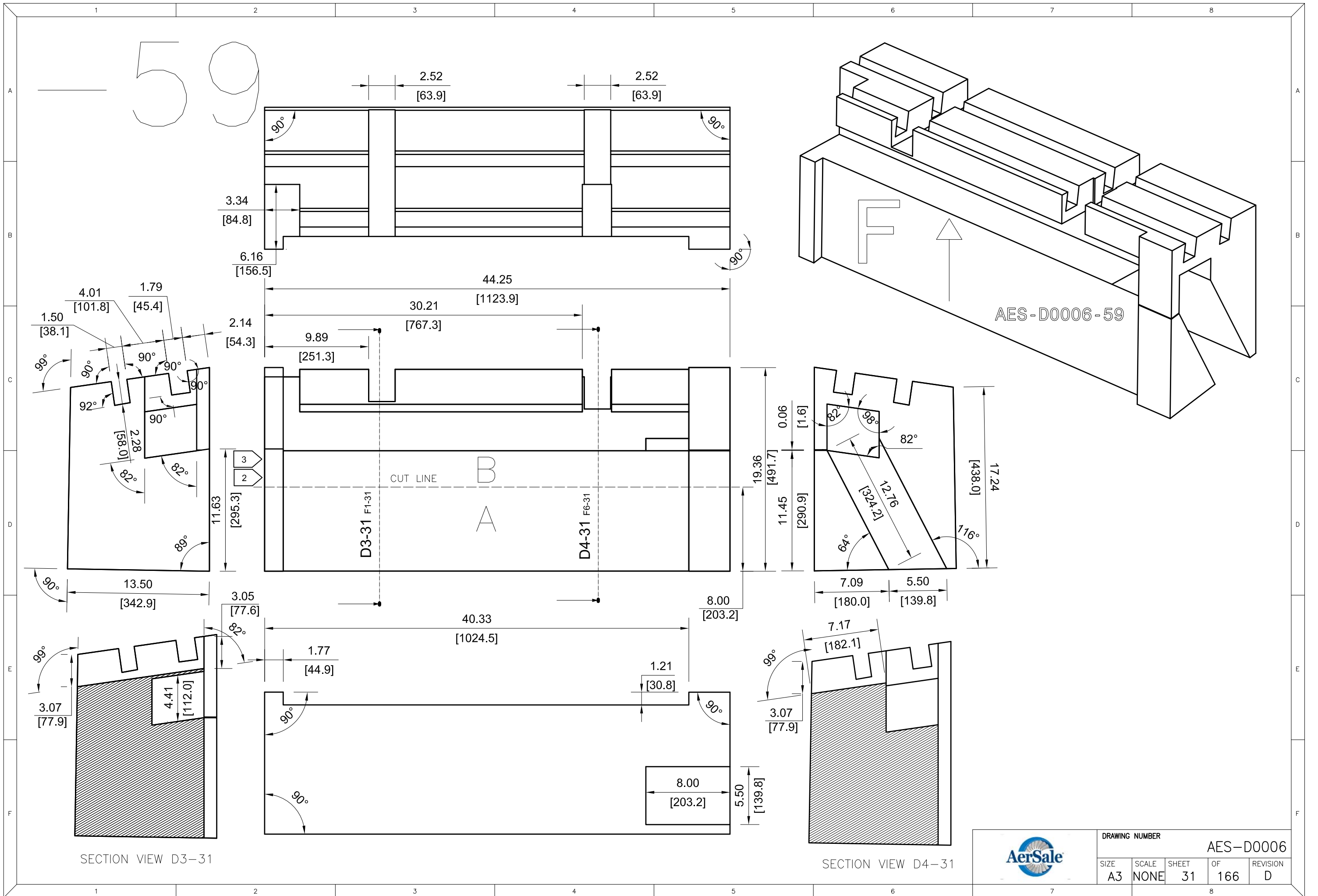
55




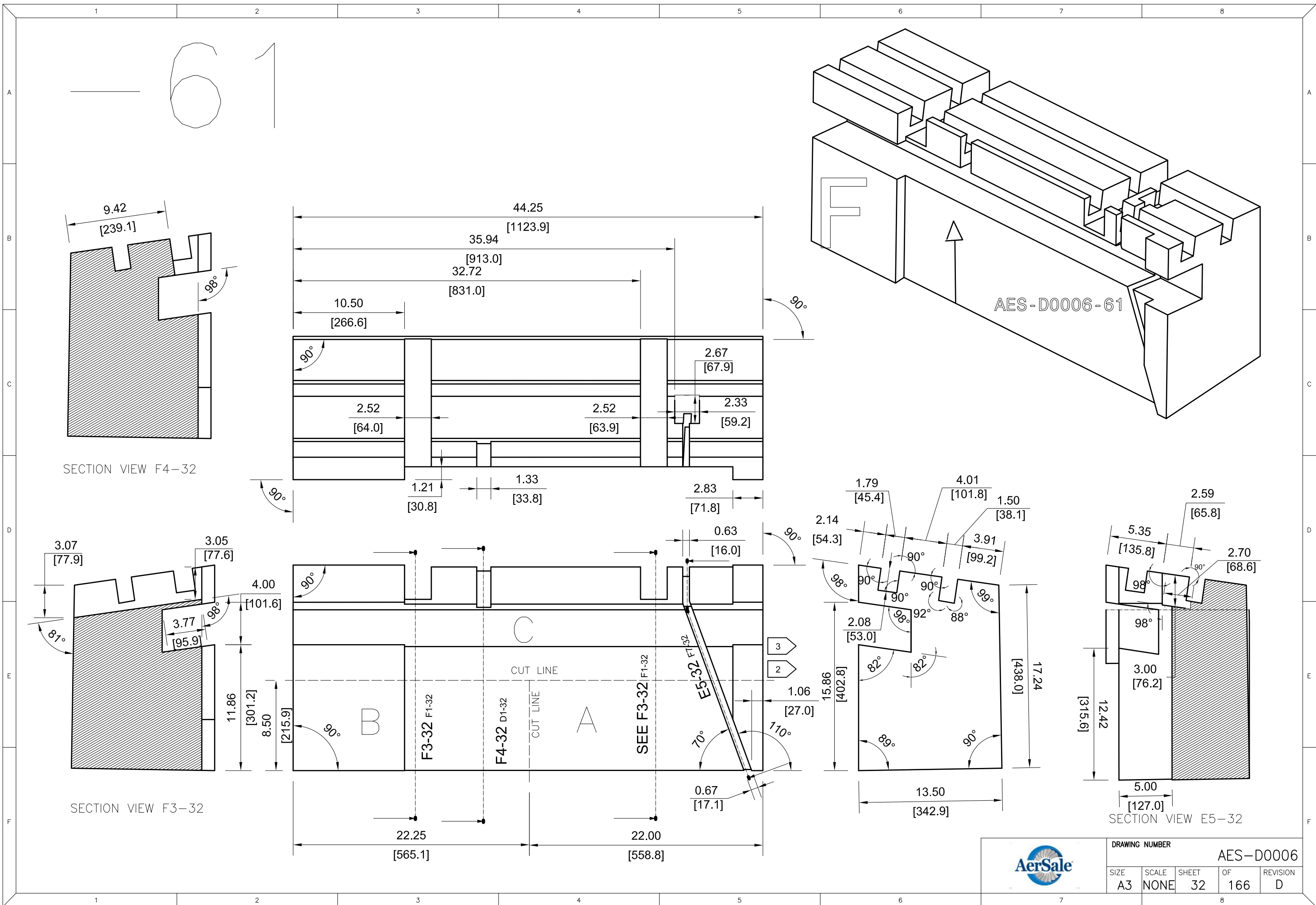
	DRAWING NUMBER				AES-D0006
	SIZE	SCALE	SHEET	OF	REVISION
A3	NONE	29	166	D	



		DRAWING NUMBER			
		AES-D0006			
SIZE	SCALE	SHEET	OF	REVISION	
A3	NONE	30	166	D	




		DRAWING NUMBER			
		AES-D0006			
SIZE	SCALE	SHEET	OF	REVISION	
A3	NONE	31	166	D	



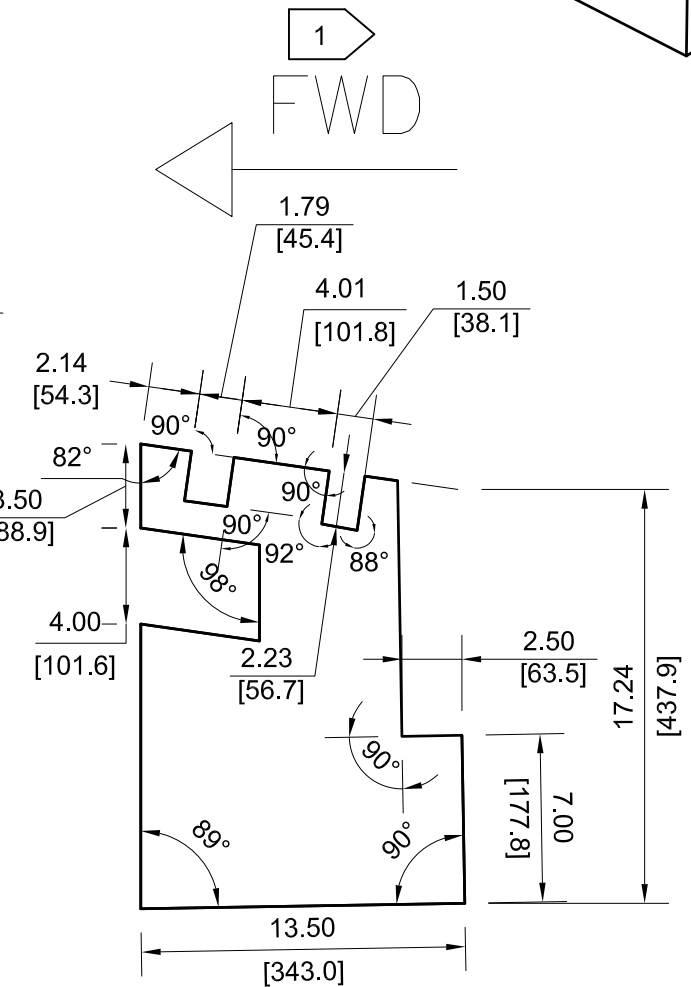
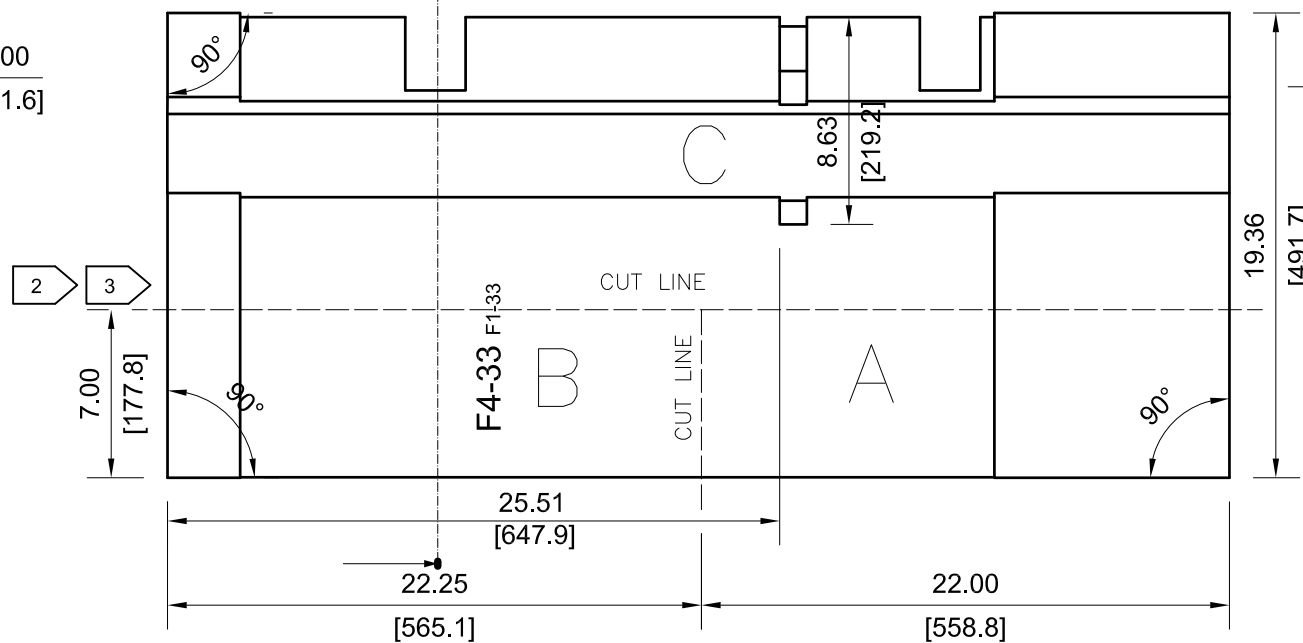
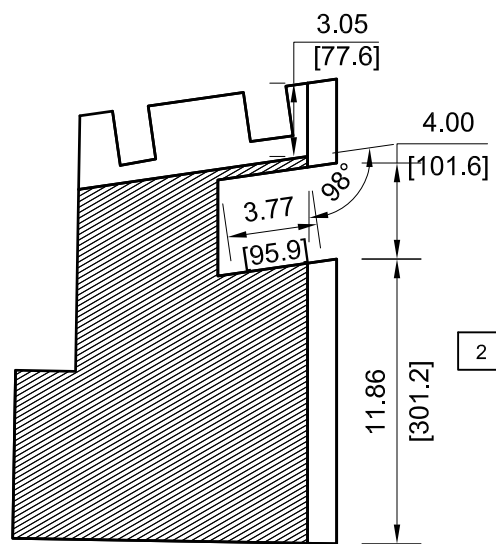
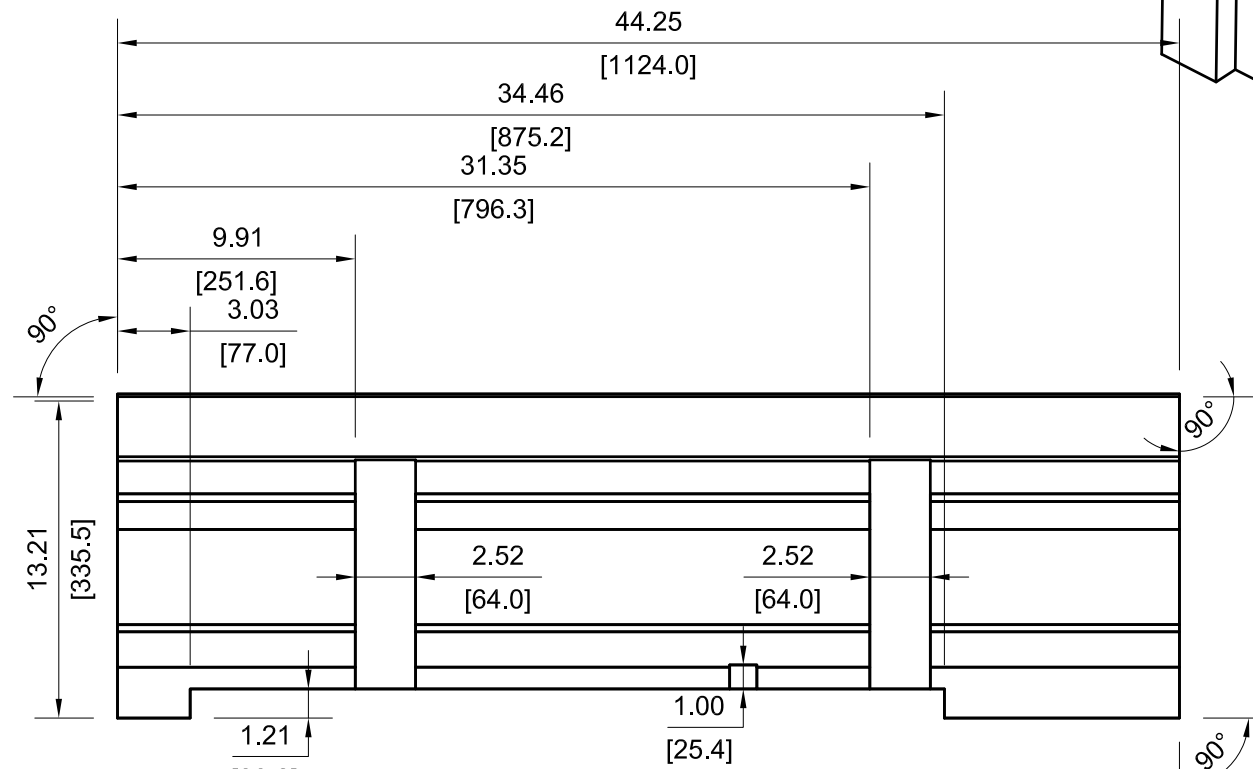
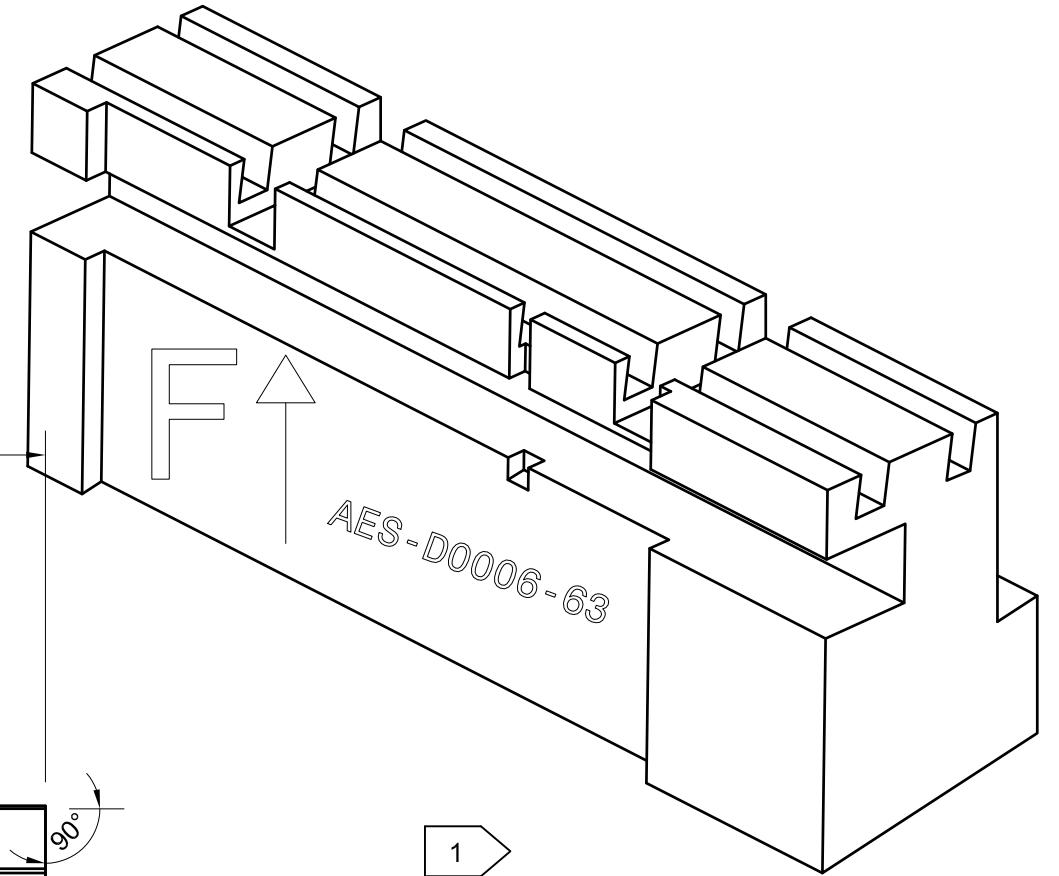
SECTION VIEW F4-32

SECTION VIEW F3-32

SECTION VIEW E5-32

		DRAWING NUMBER			
		AES-D0006			
SIZE	SCALE	SHEET	OF	REVISION	
A3	NONE	32	166	D	

63

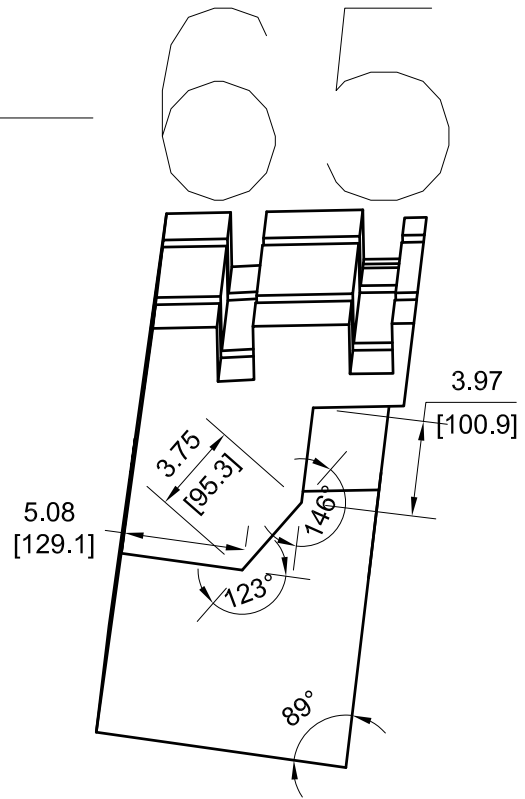


AES-D0006-63

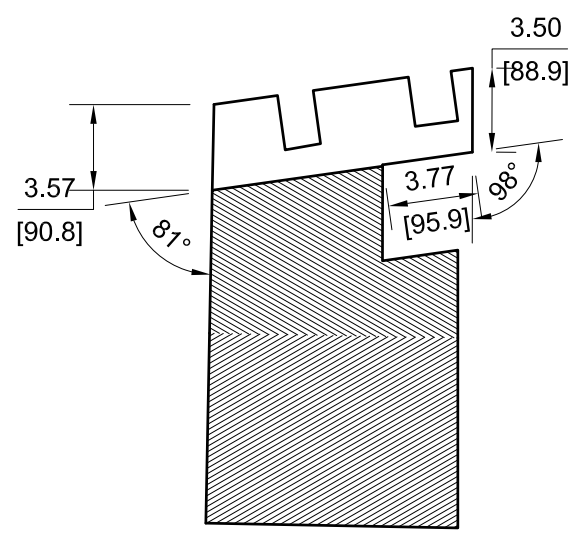
1
FWD



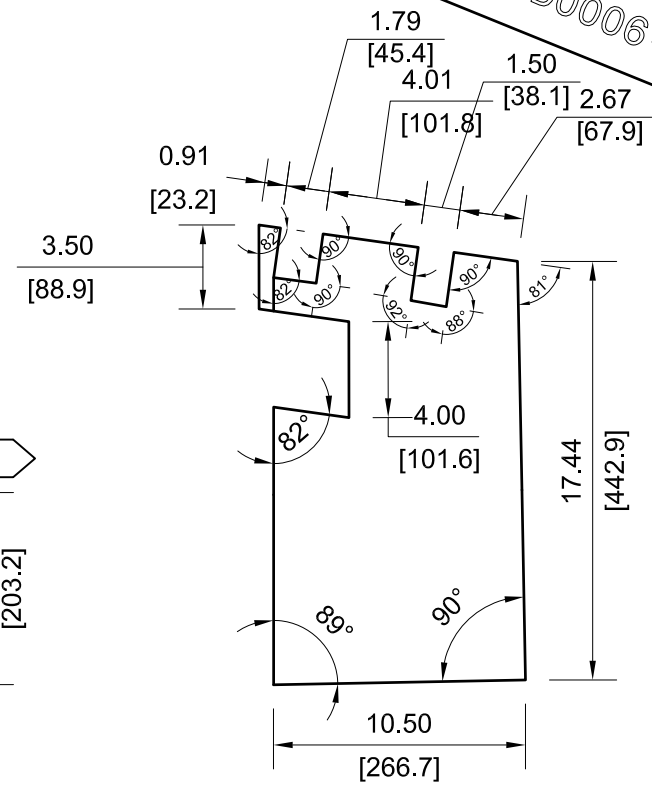
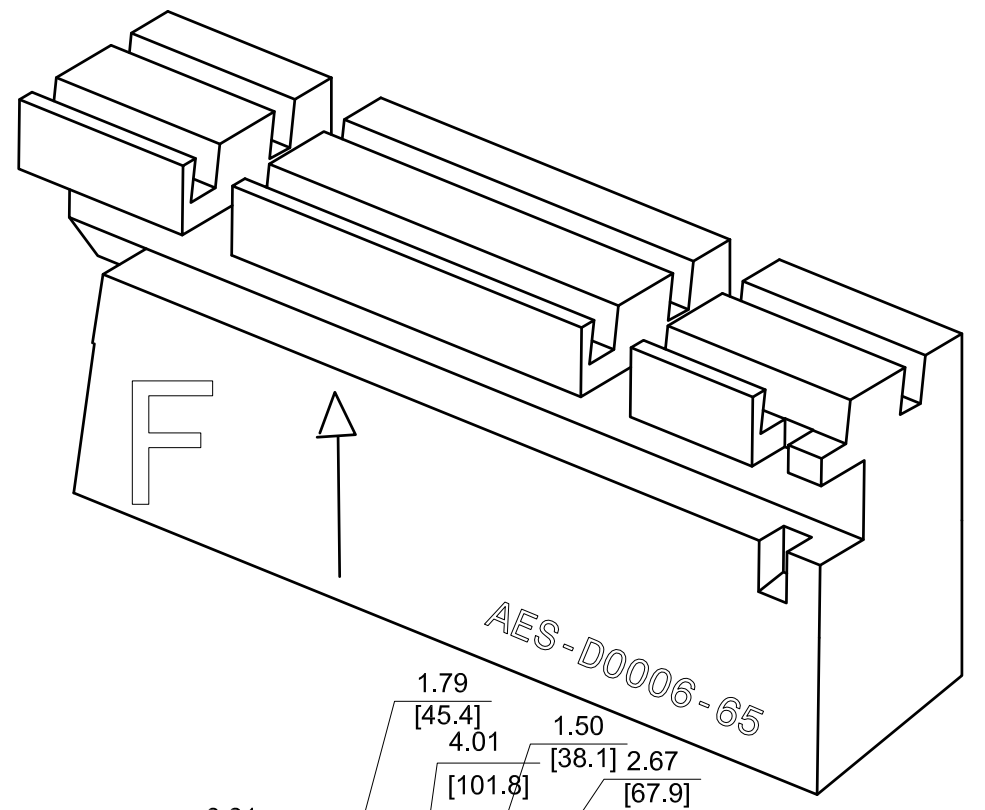
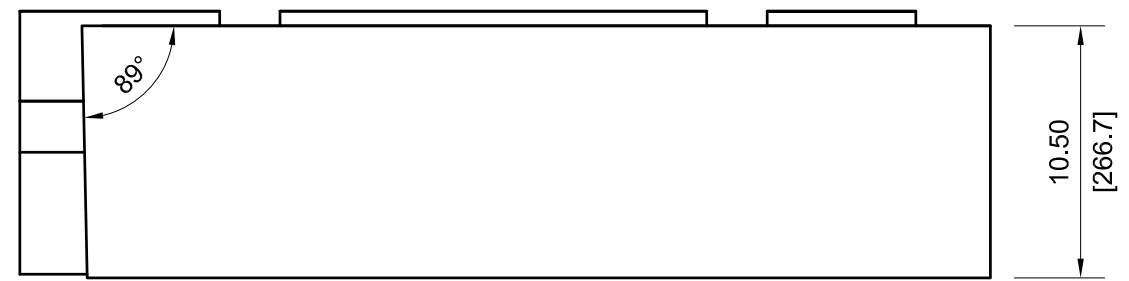
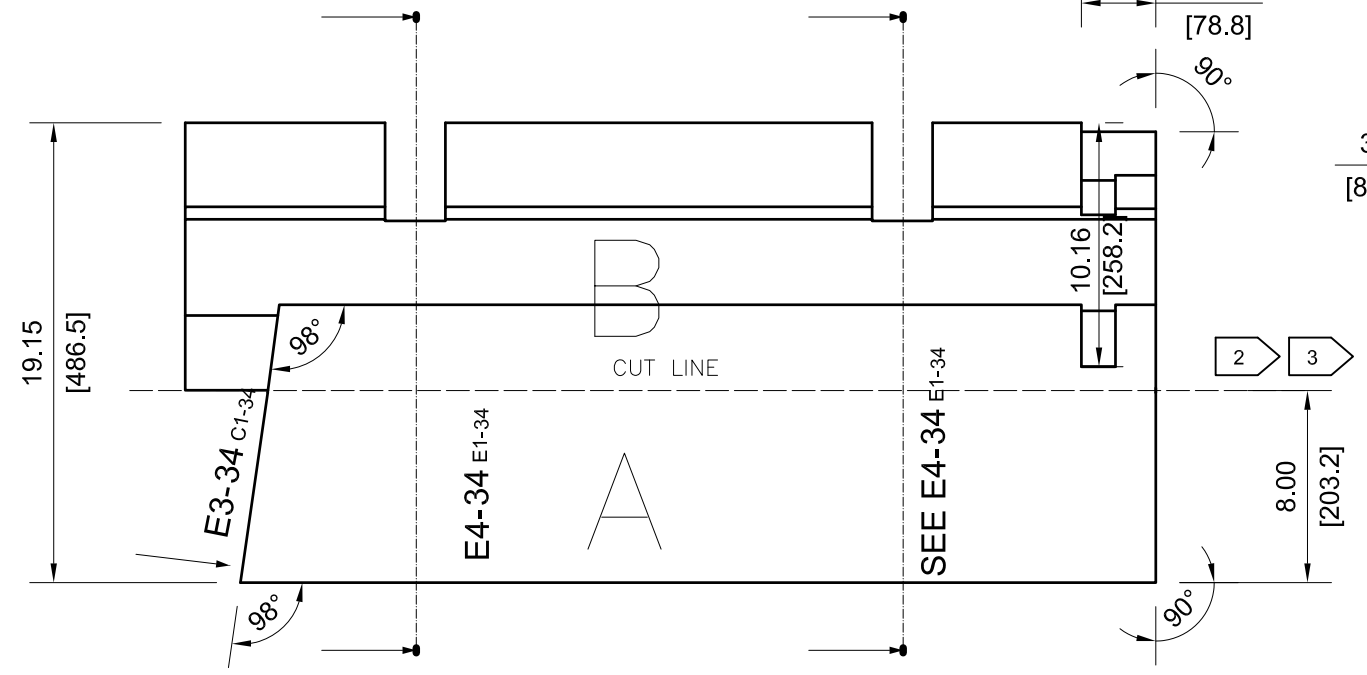
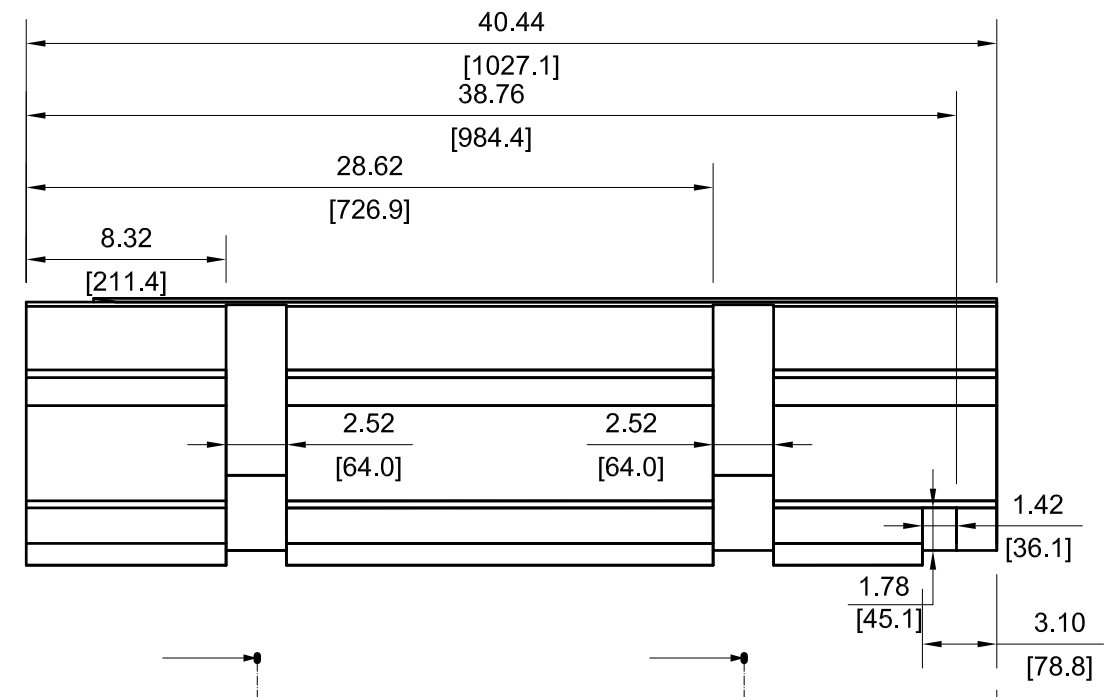
DRAWING NUMBER				
AES-D0006				
SIZE	SCALE	SHEET	OF	REVISION
A3	NONE	33	166	D



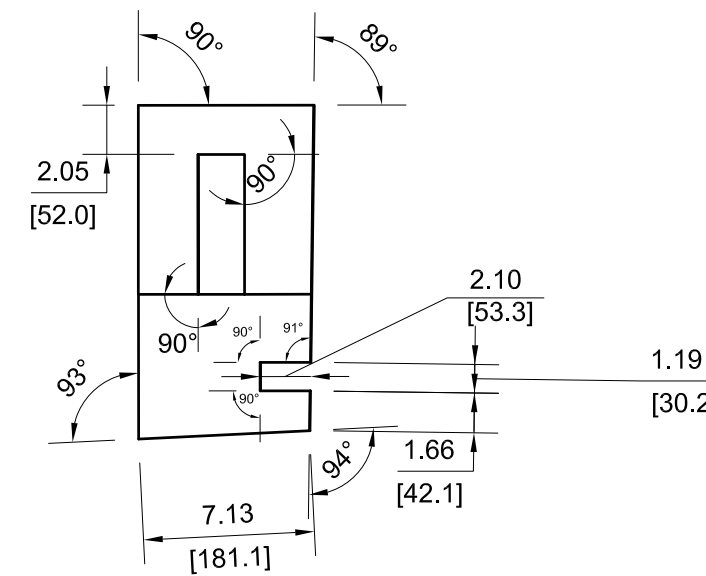
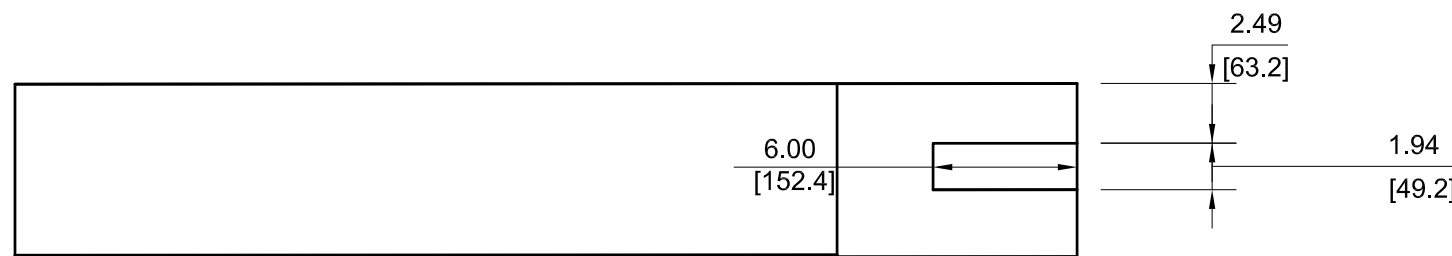
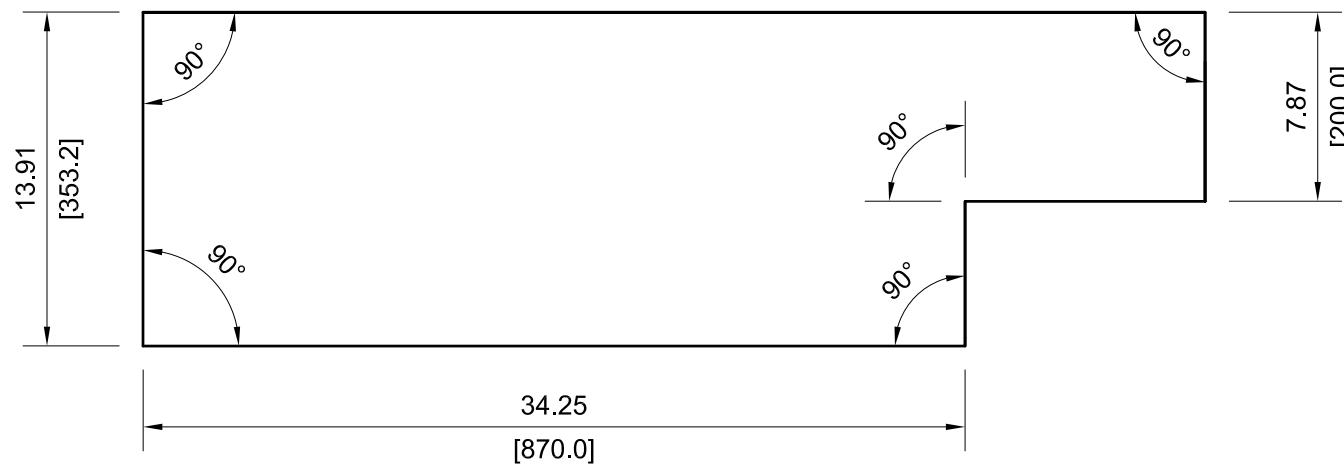
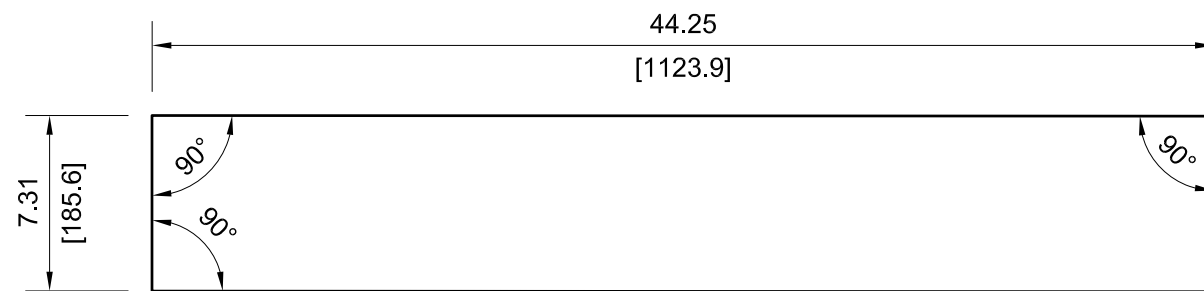
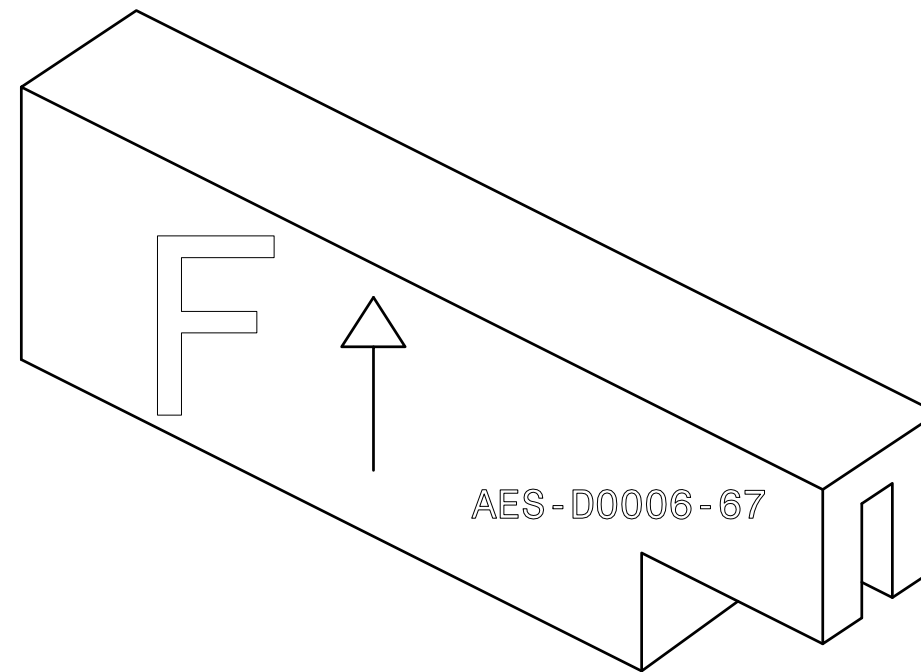
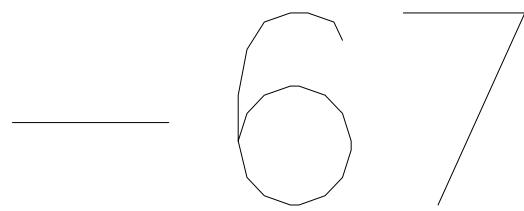
VIEW E3-34



SECTION VIEW E4-34

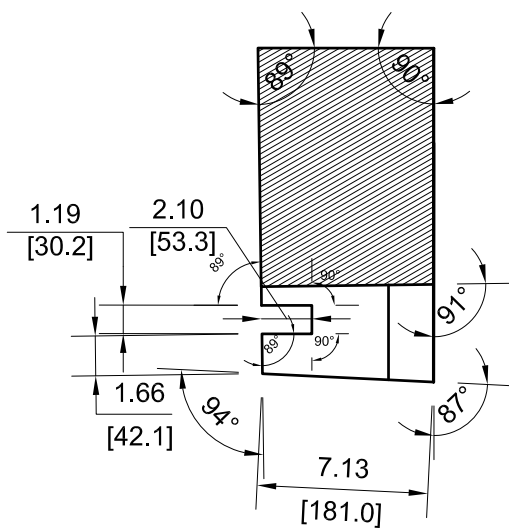
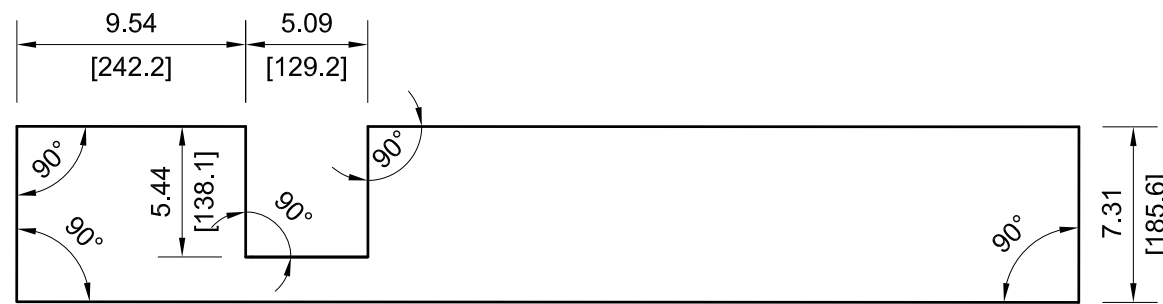
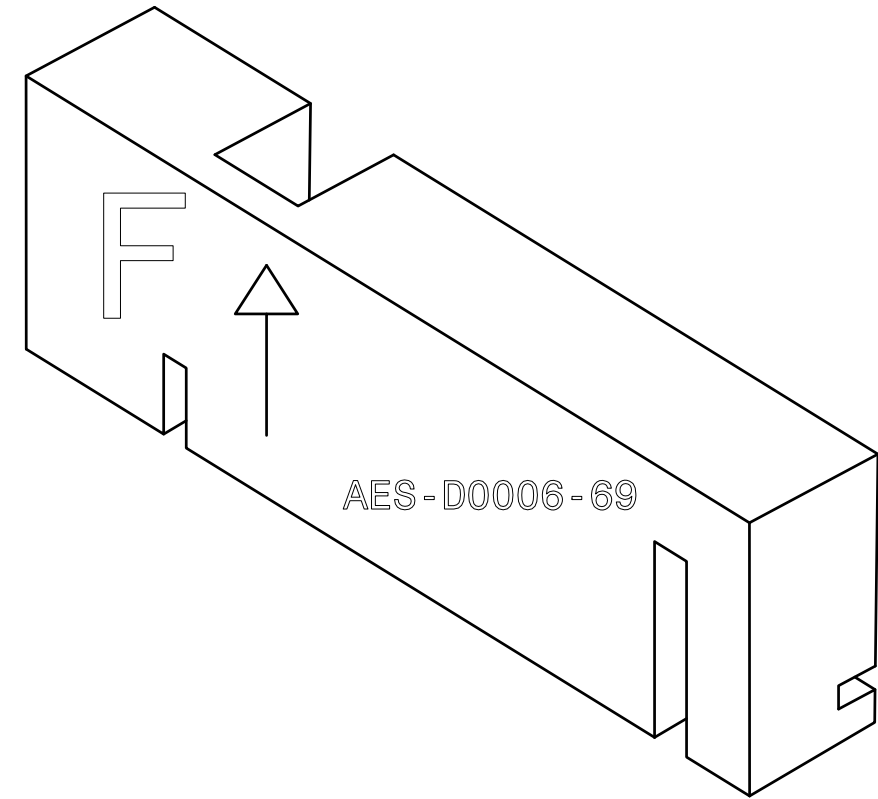


	DRAWING NUMBER				
	AES-D0006				
SIZE	SCALE	SHEET	OF	REVISION	
A3	NONE	34	166	D	

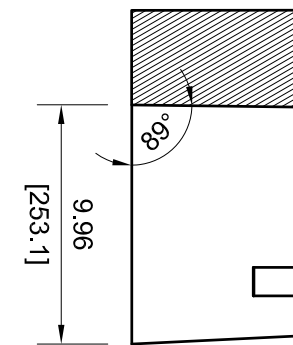
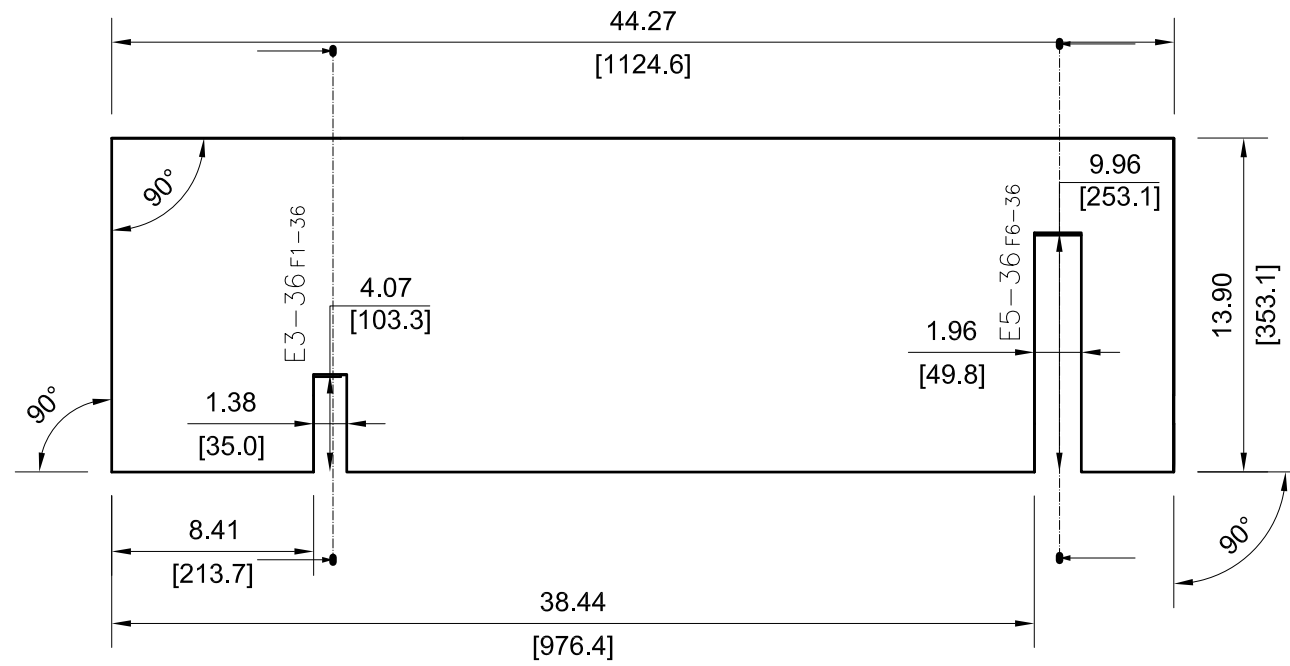


DRAWING NUMBER				
AES-D0006				
SIZE	SCALE	SHEET	OF	REVISION
A3	NONE	35	166	D

69



SECTION VIEW E3-36

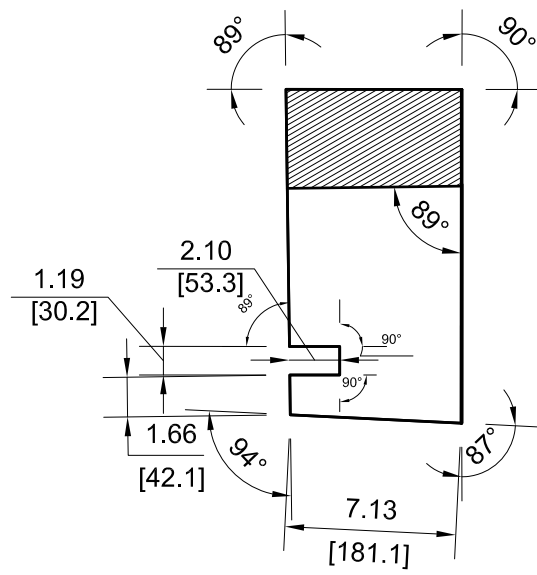
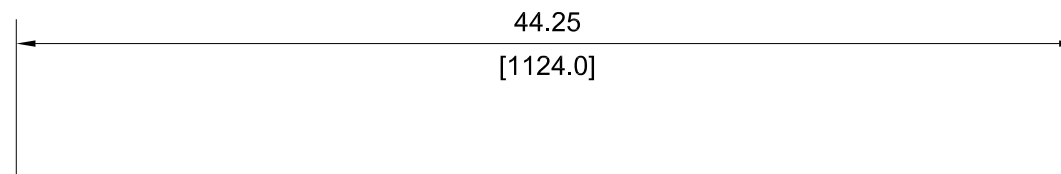
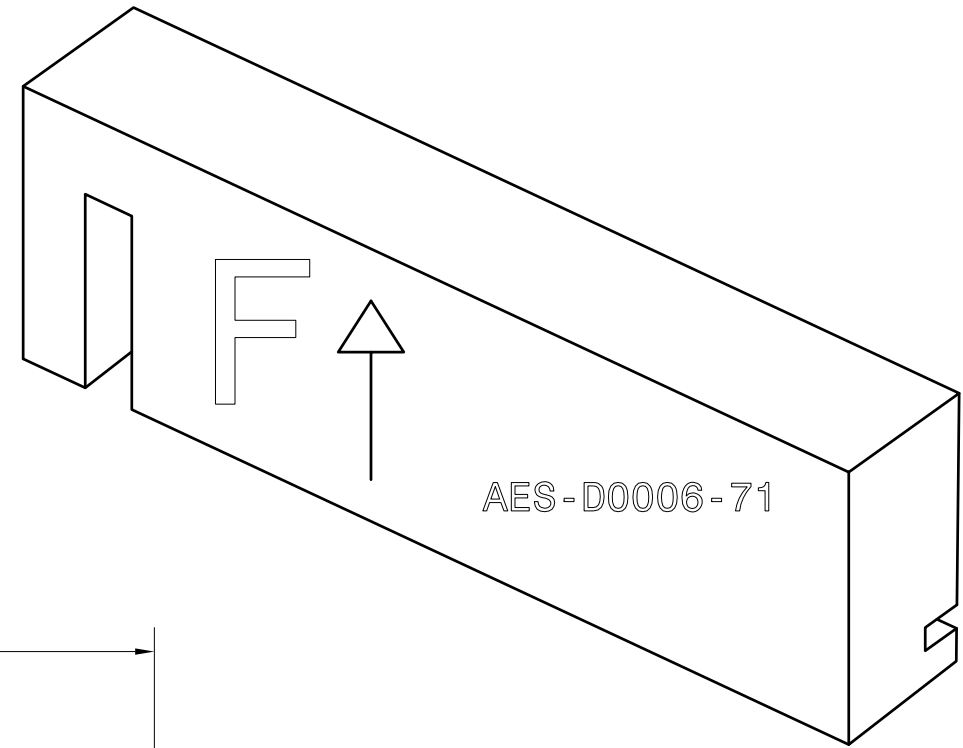


SECTION VIEW E5-36



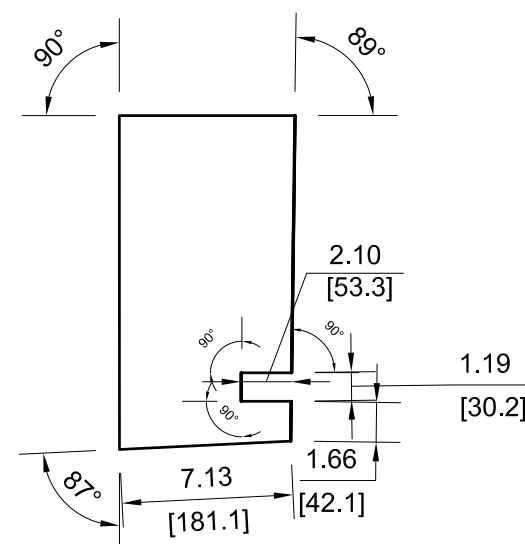
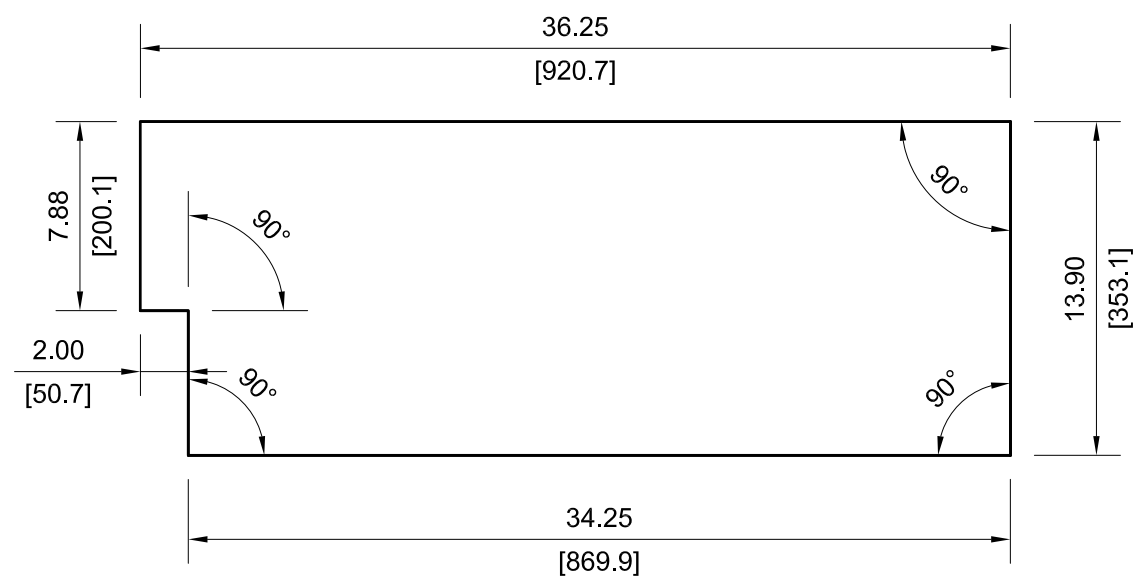
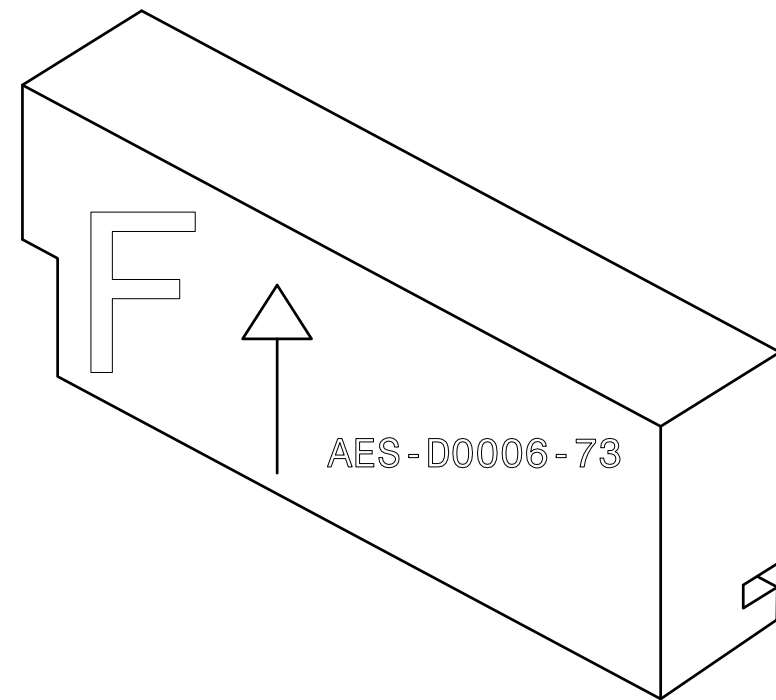
DRAWING NUMBER				
AES-D0006				
SIZE	SCALE	SHEET	OF	REVISION
A3	NONE	36	166	D

71



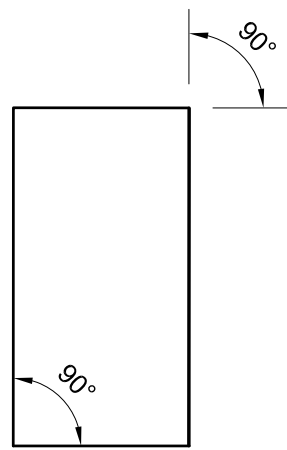
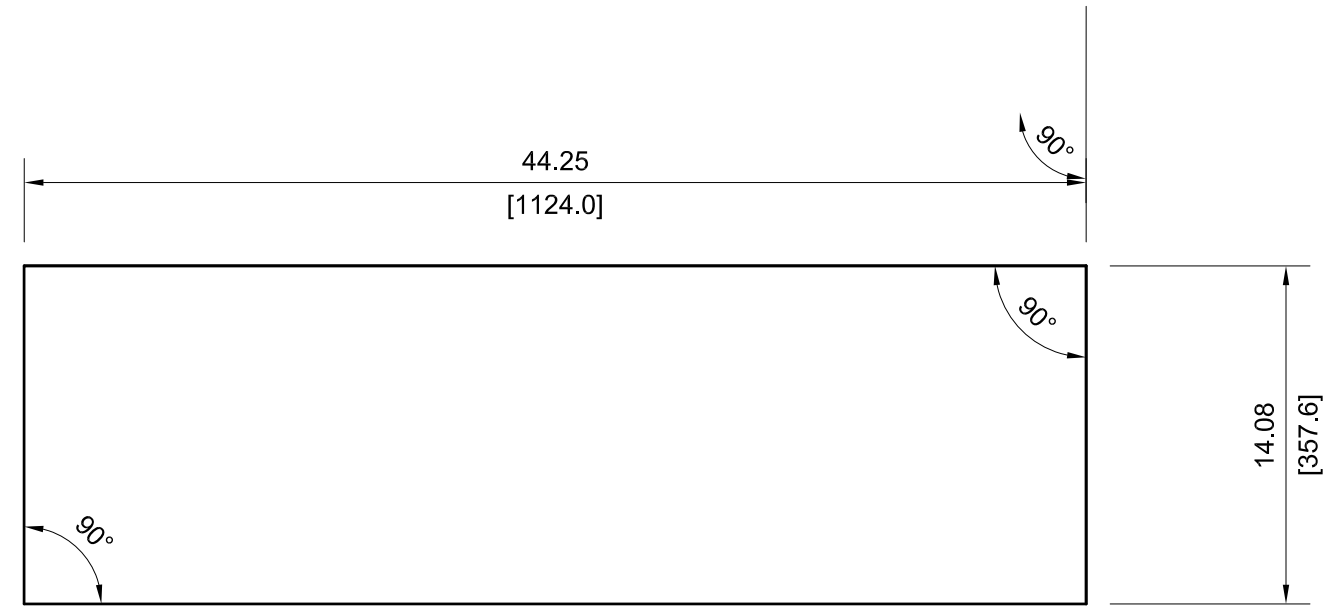
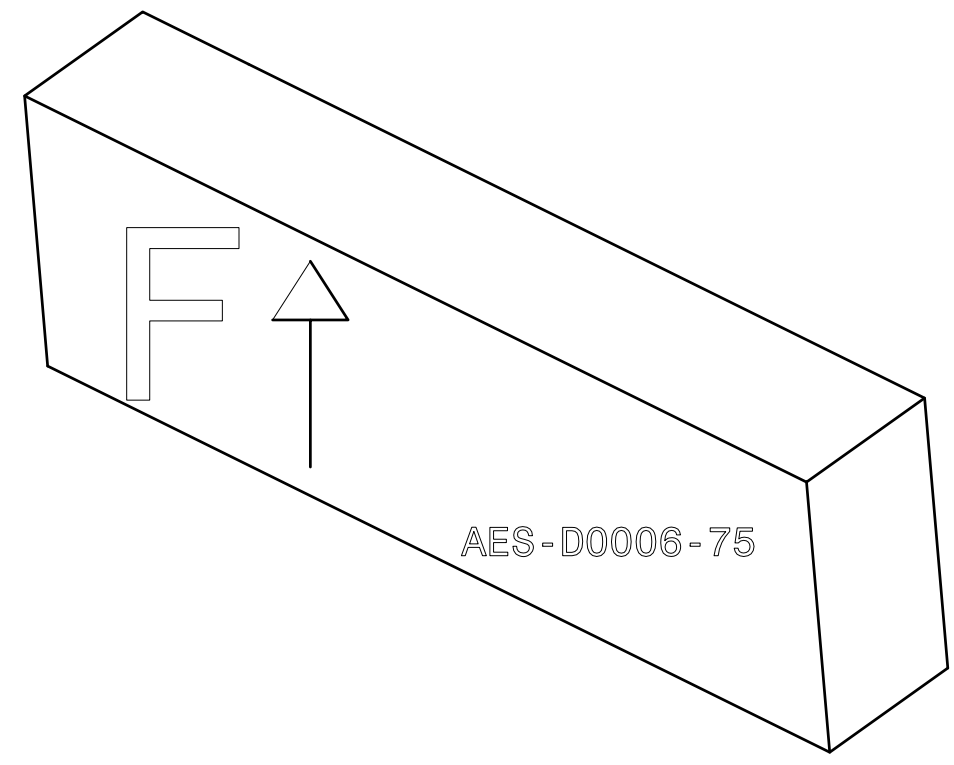
DRAWING NUMBER				
AES-D0006				
SIZE	SCALE	SHEET	OF	REVISION
A3	NONE	37	166	D

-73

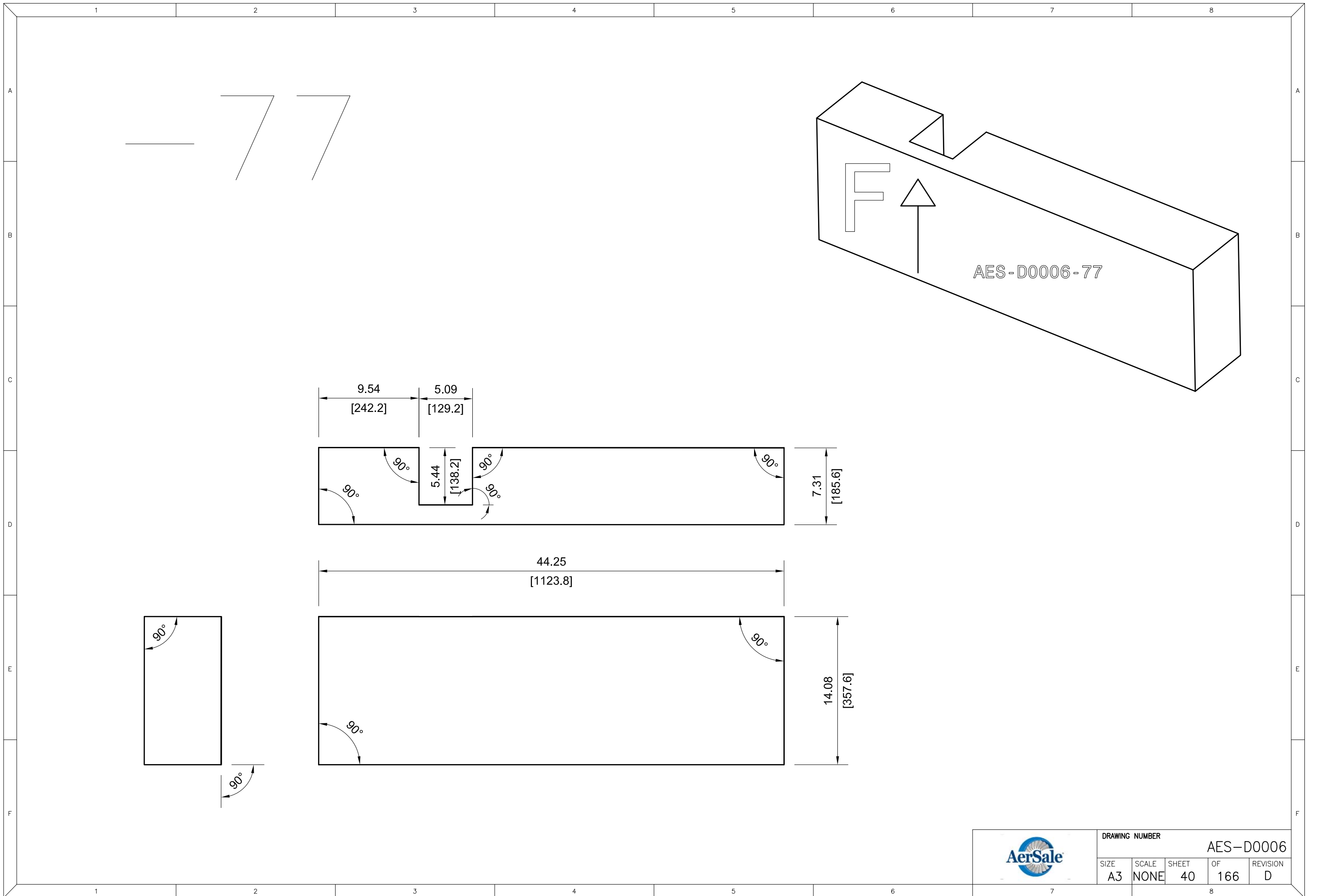



DRAWING NUMBER				
AES-D0006				
SIZE	SCALE	SHEET	OF	REVISION
A3	NONE	38	166	D

75

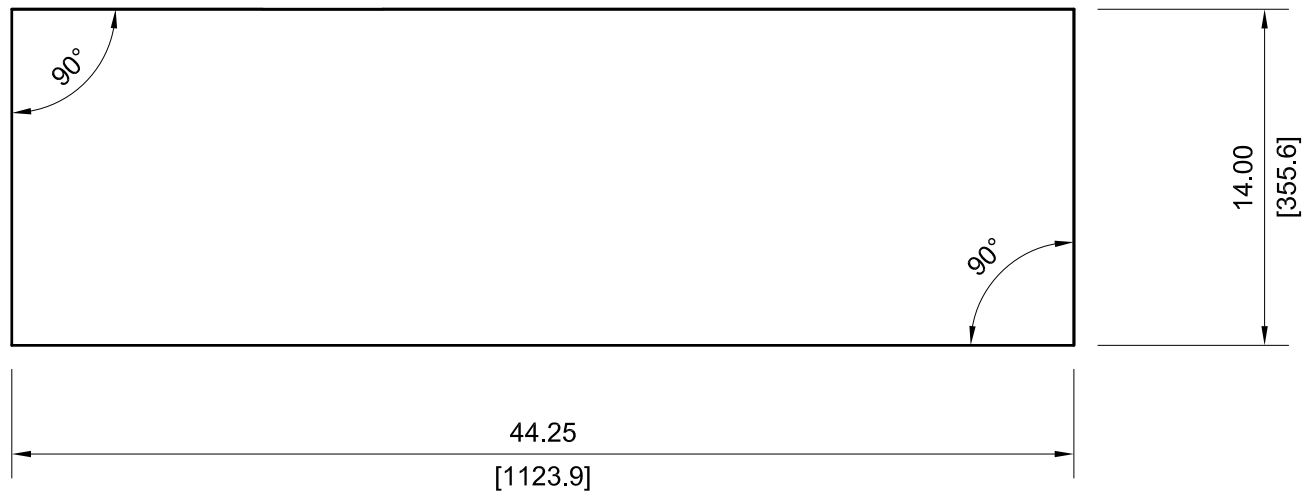
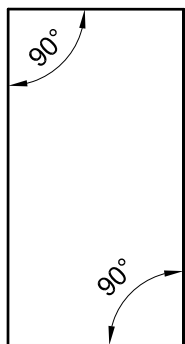
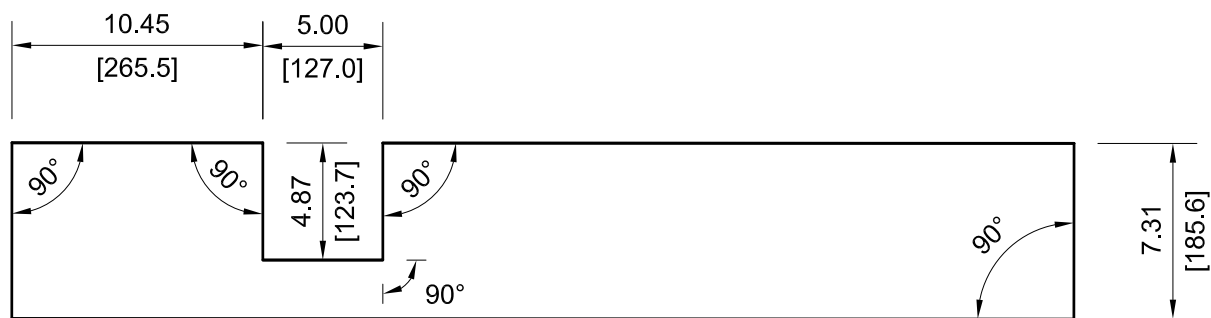
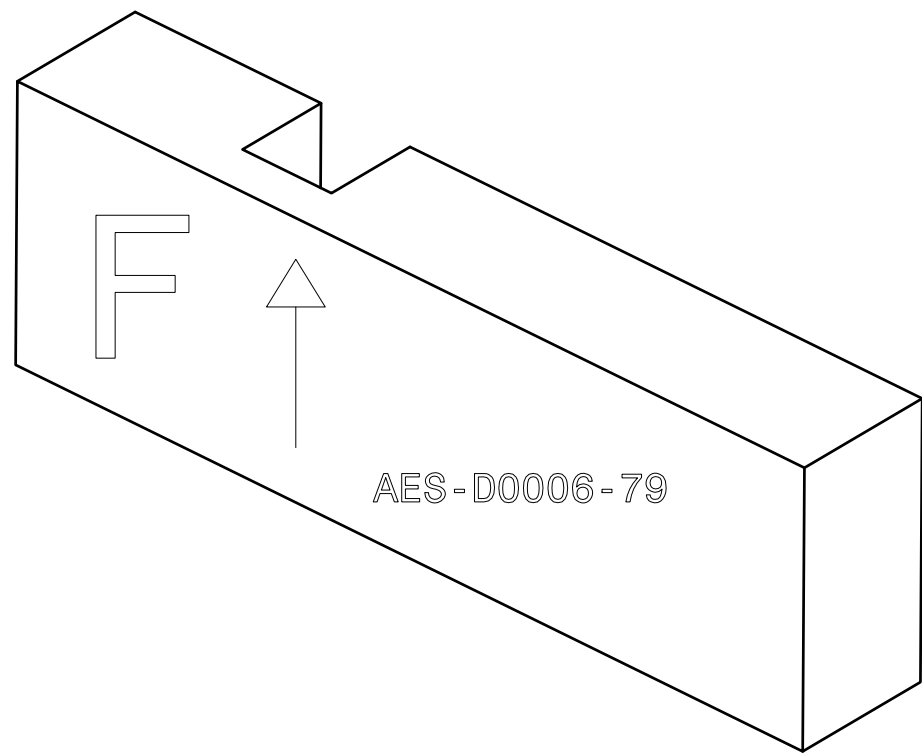



DRAWING NUMBER				
AES-D0006				
SIZE	SCALE	SHEET	OF	REVISION
A3	NONE	39	166	D

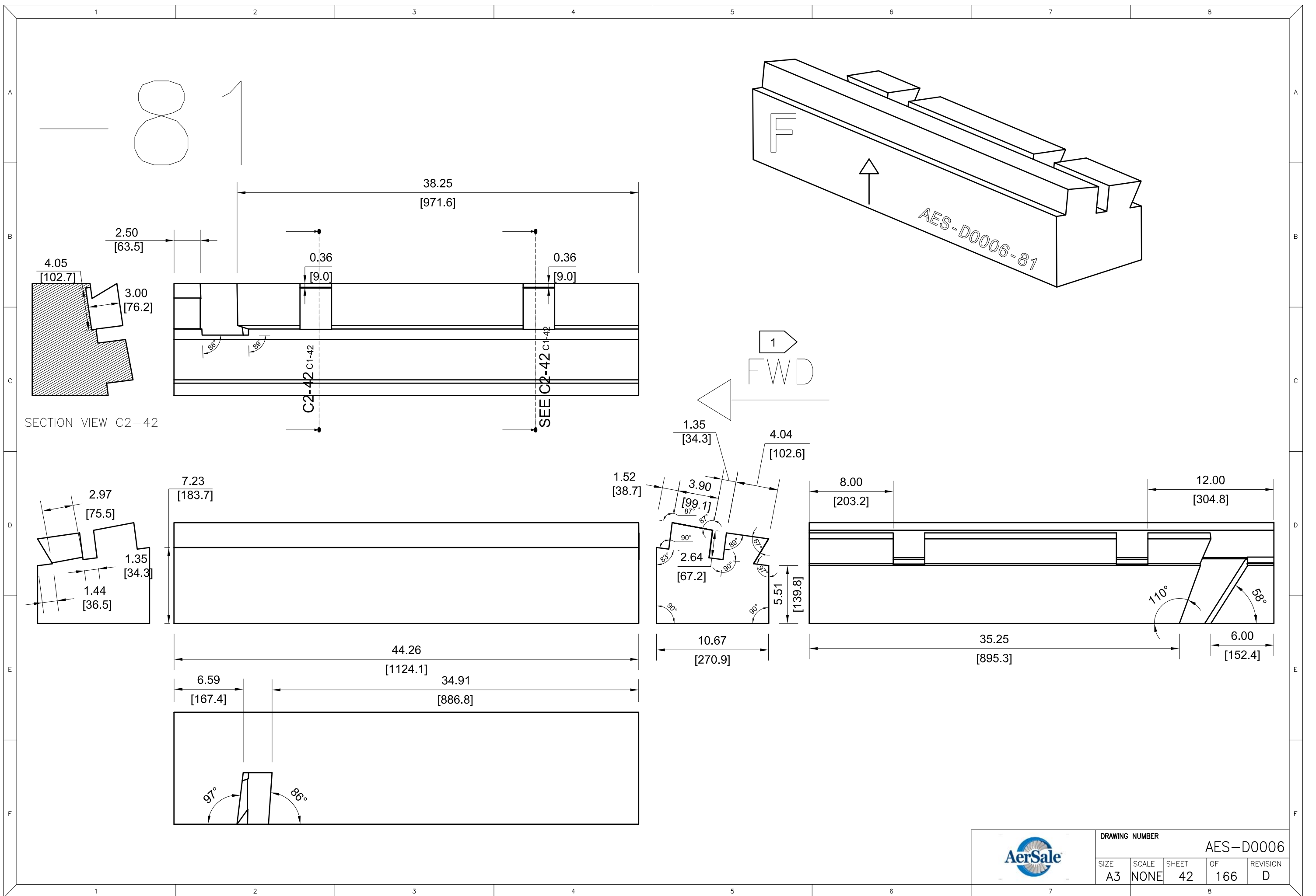


		DRAWING NUMBER			
		AES-D0006			
SIZE	SCALE	SHEET	OF	REVISION	
A3	NONE	40	166	D	

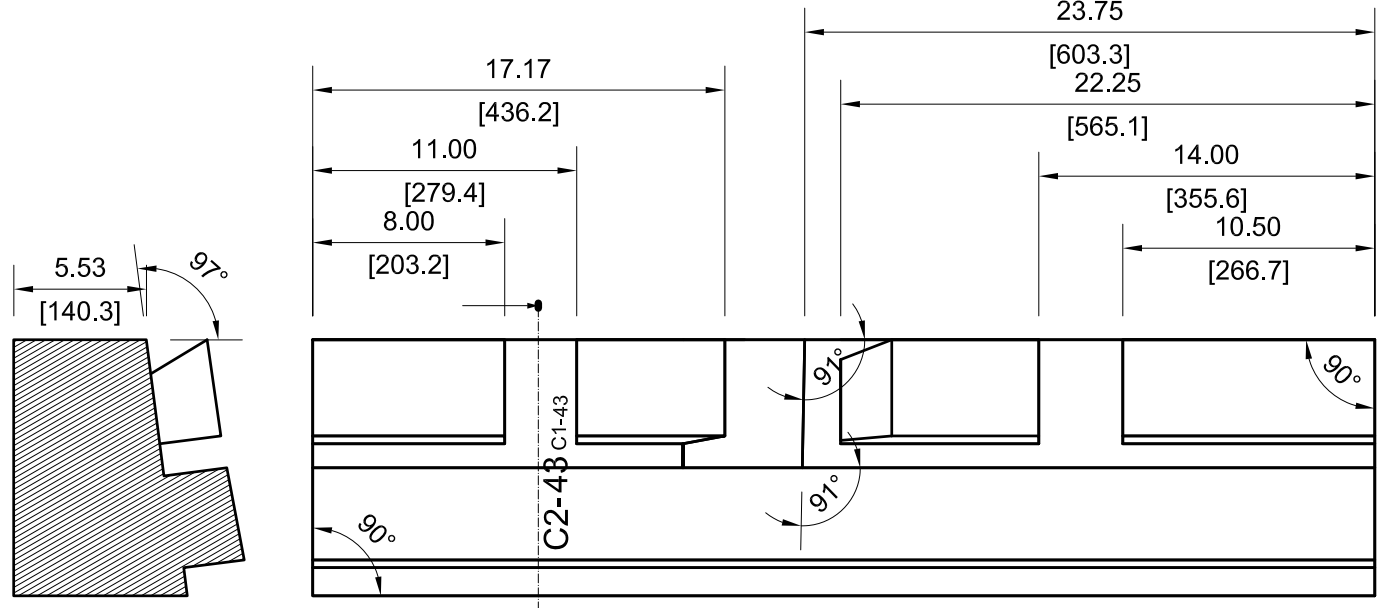
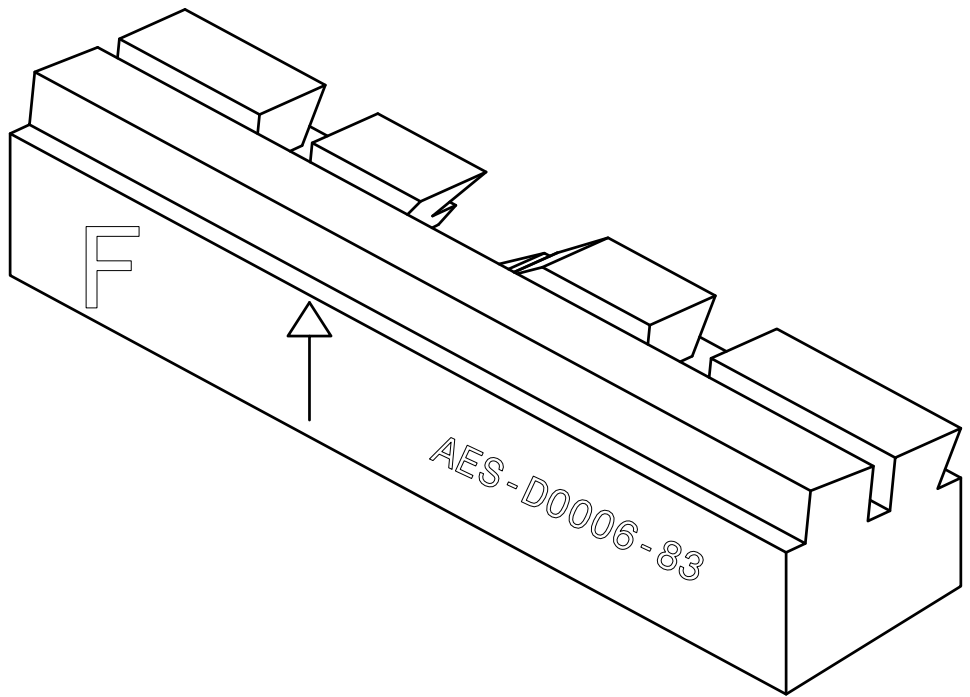
79



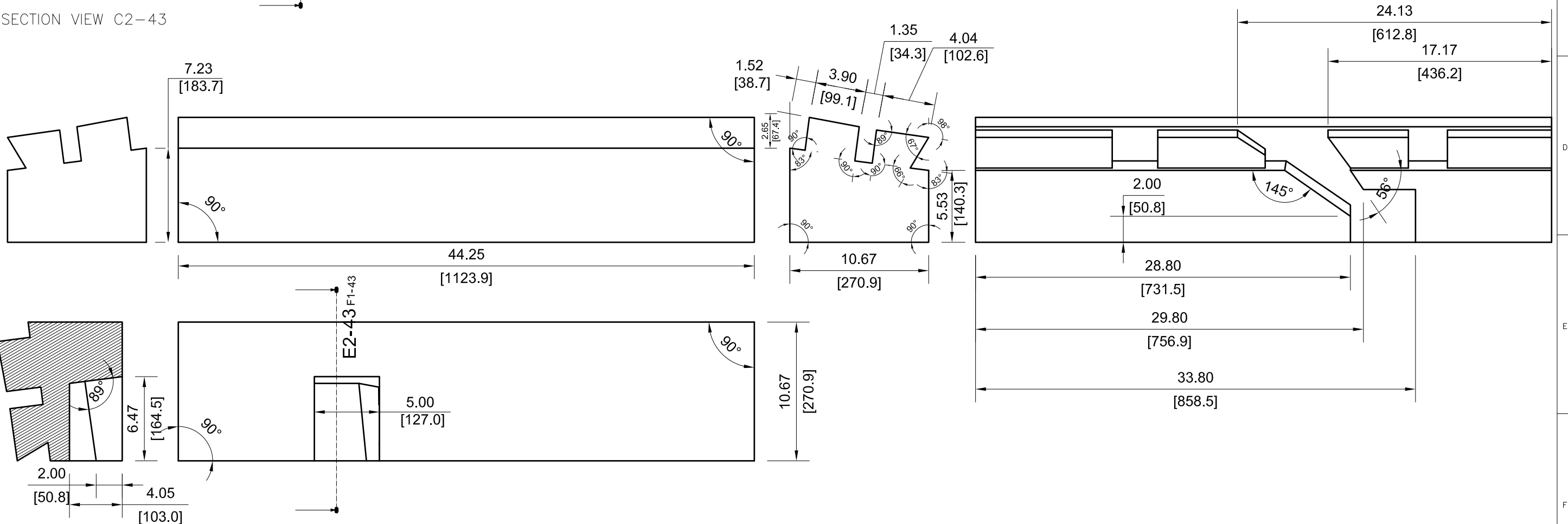
	DRAWING NUMBER				AES-D0006	
	SIZE	SCALE	SHEET	OF	REVISION	
A3	NONE	41	166	D		



83



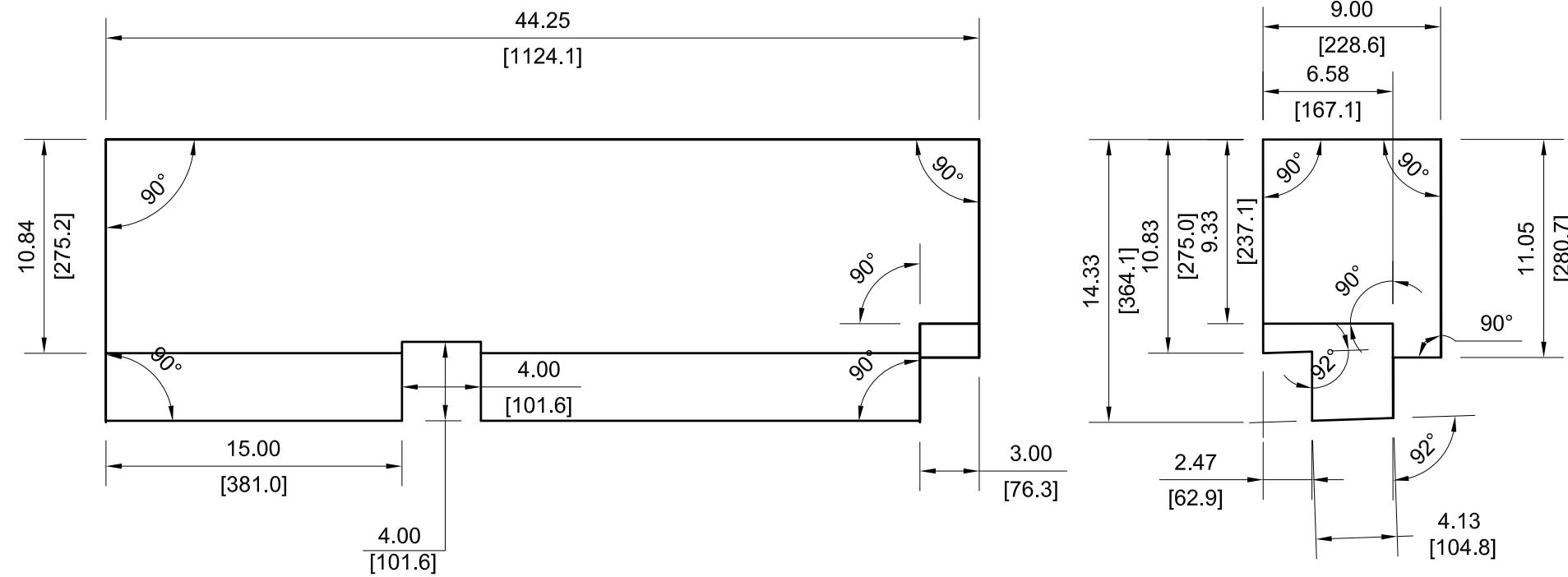
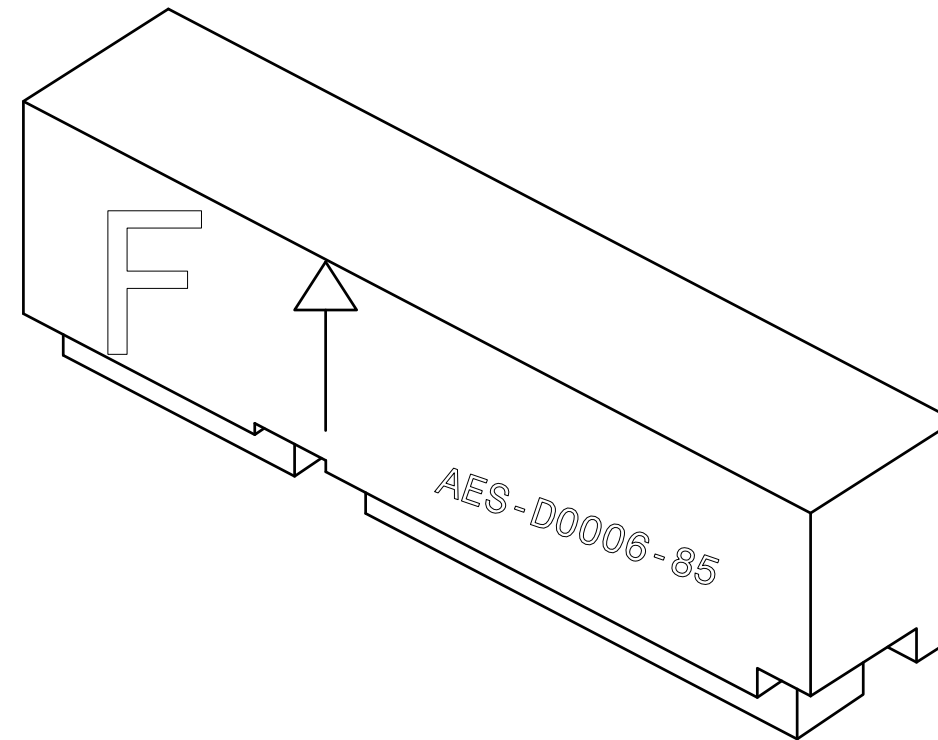
SECTION VIEW C2-43



SECTION VIEW E2-43

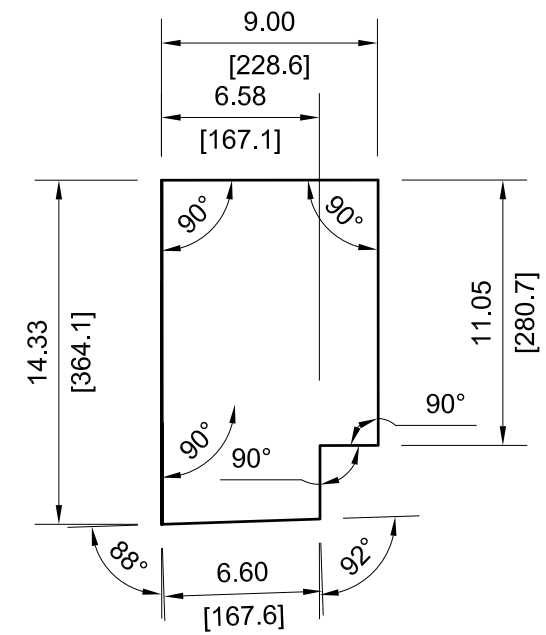
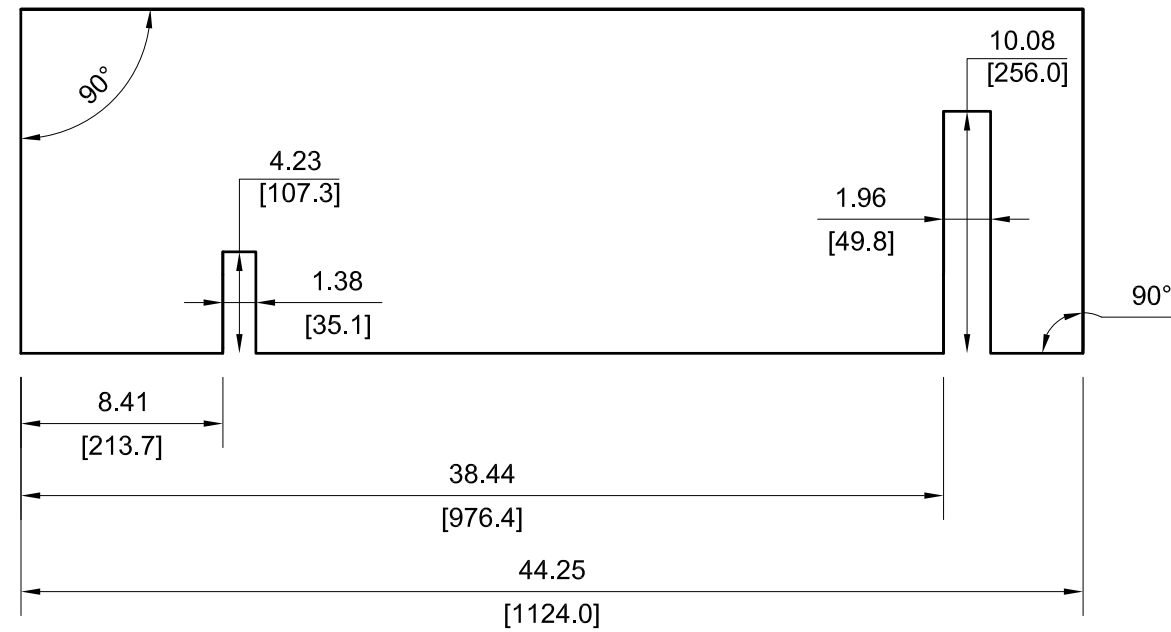
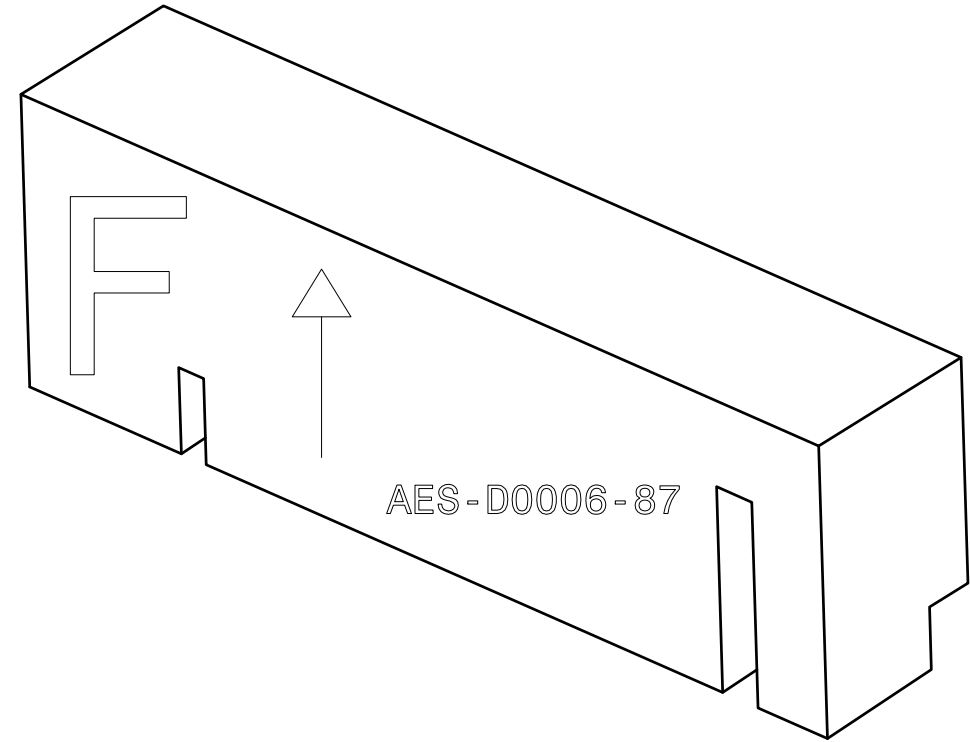
		DRAWING NUMBER			
		AES-D0006			
SIZE	SCALE	SHEET	OF	REVISION	
A3	NONE	43	166	D	


— 85



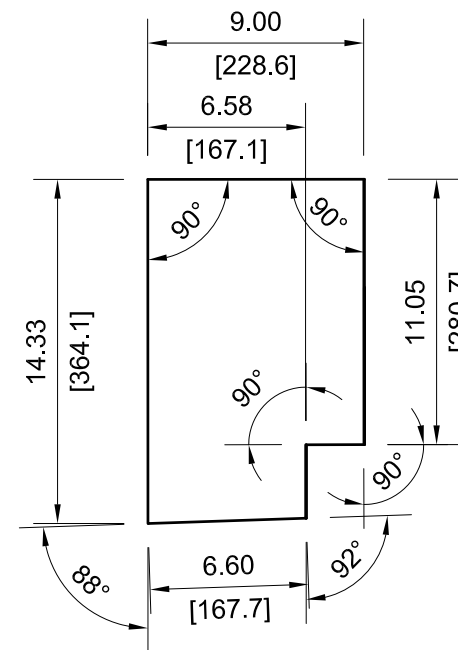
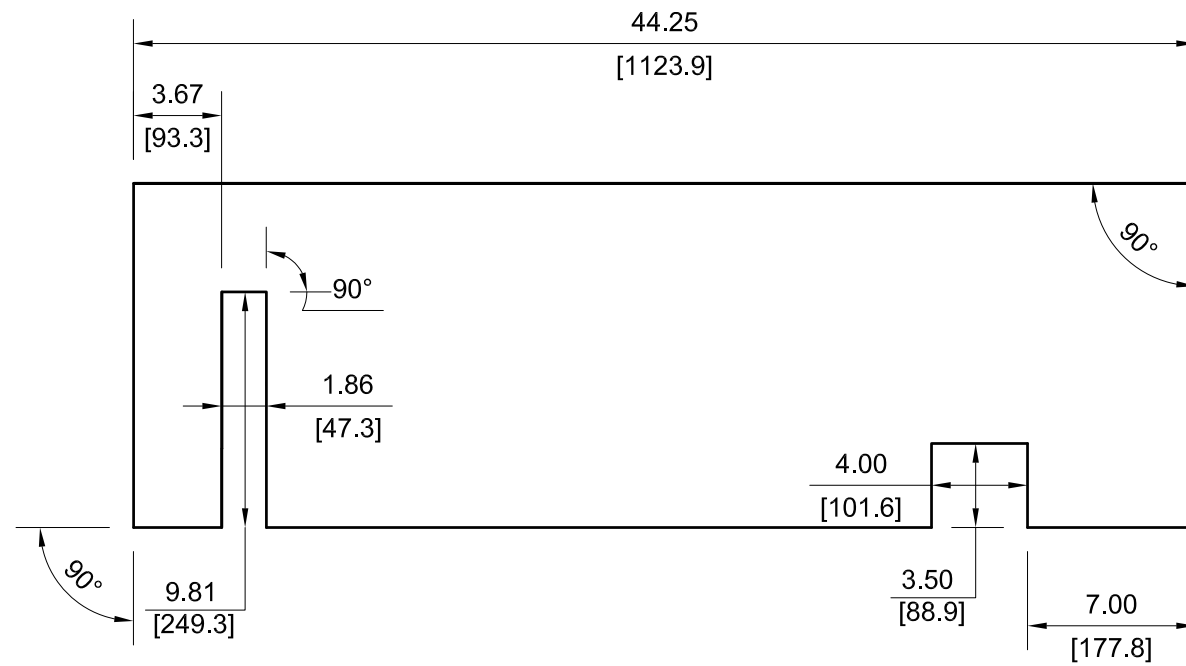
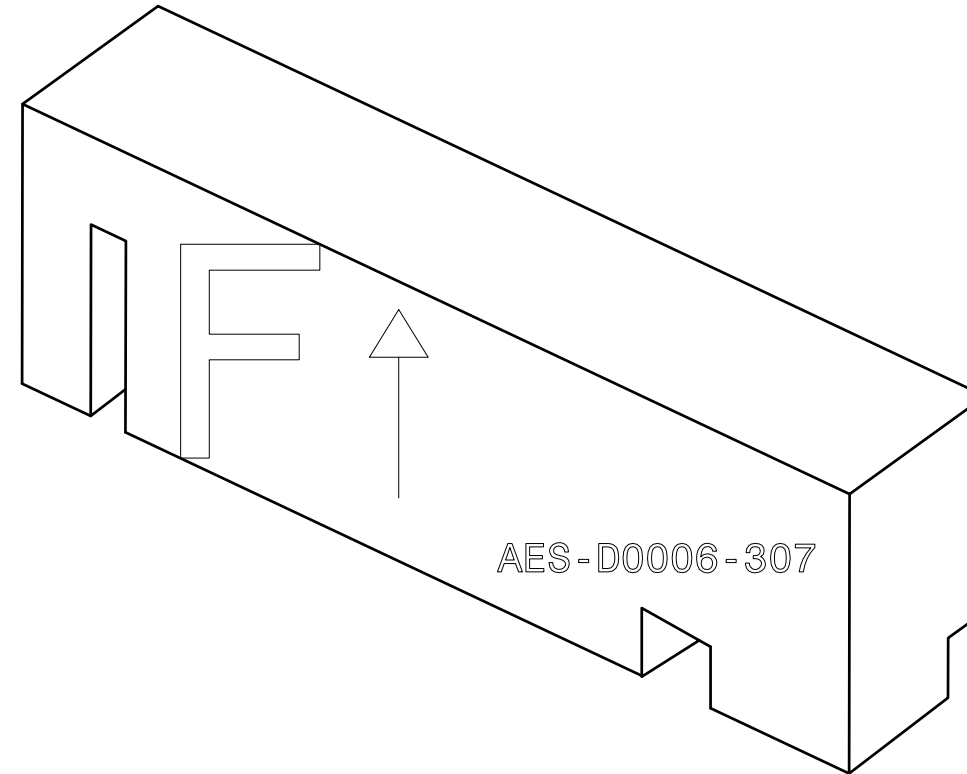
DRAWING NUMBER				
AES-D0006				
SIZE	SCALE	SHEET	OF	REVISION
A3	NONE	44	166	D

— 87



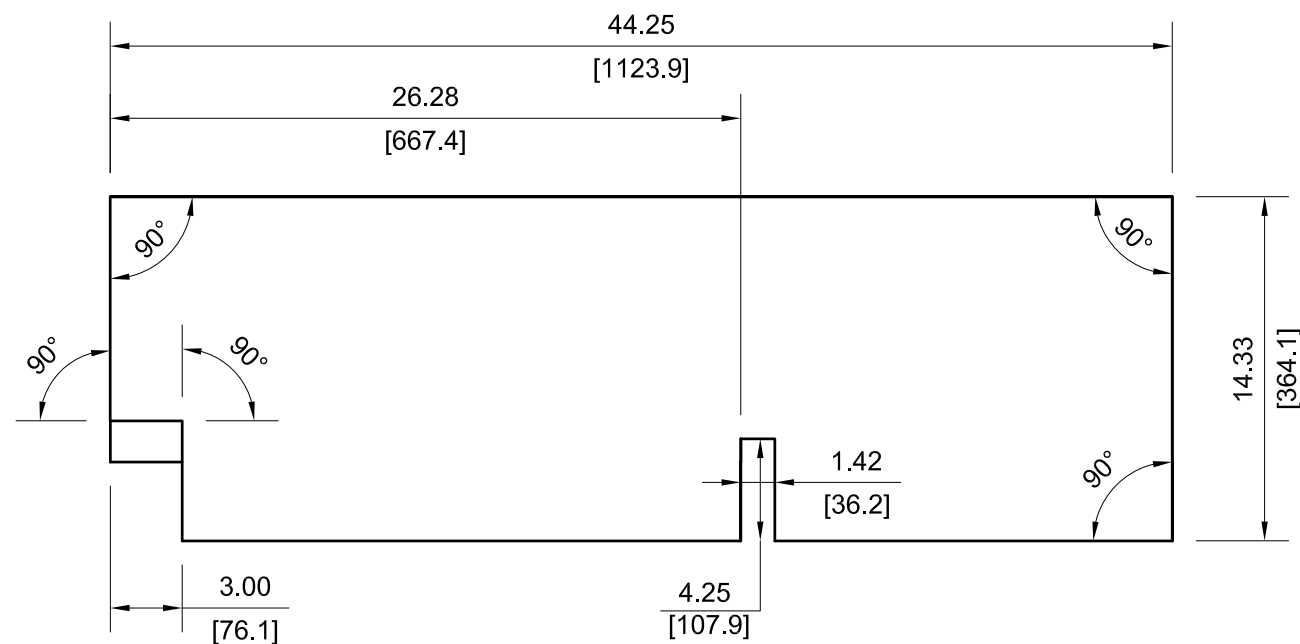
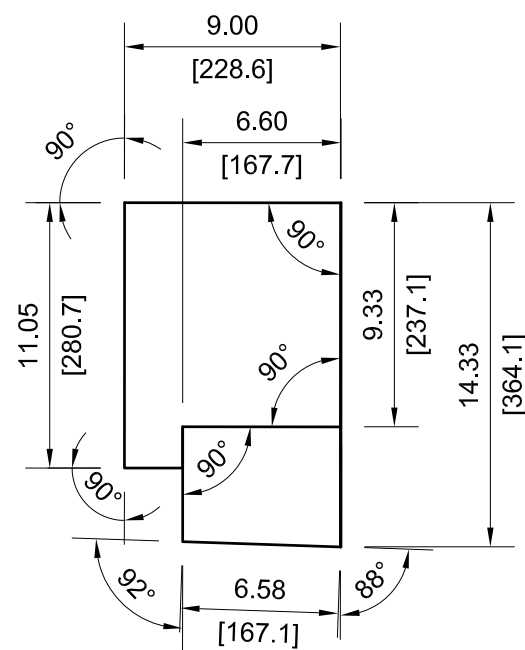
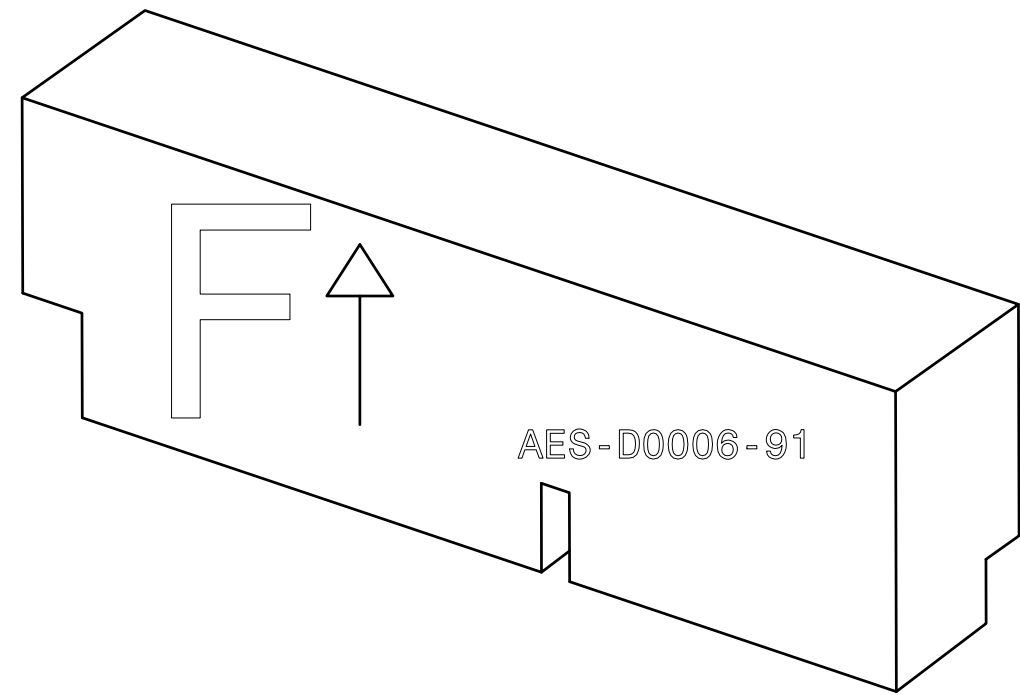
		DRAWING NUMBER			
		AES-D0006			
SIZE	SCALE	SHEET	OF	REVISION	
A3	NONE	45	166	D	

-307

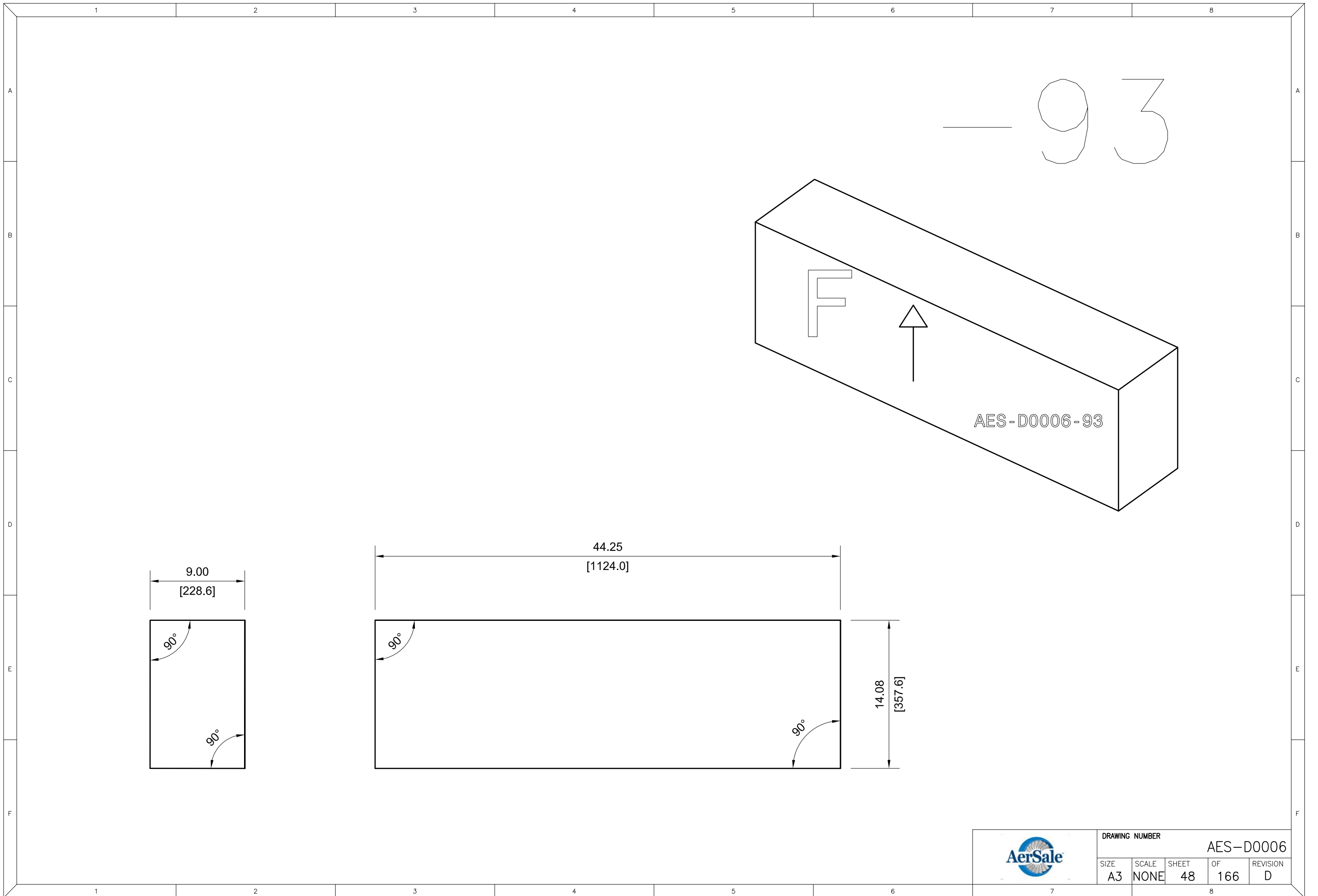



DRAWING NUMBER				
AES-D0006				
SIZE	SCALE	SHEET	OF	REVISION
A3	NONE	46	166	D

91

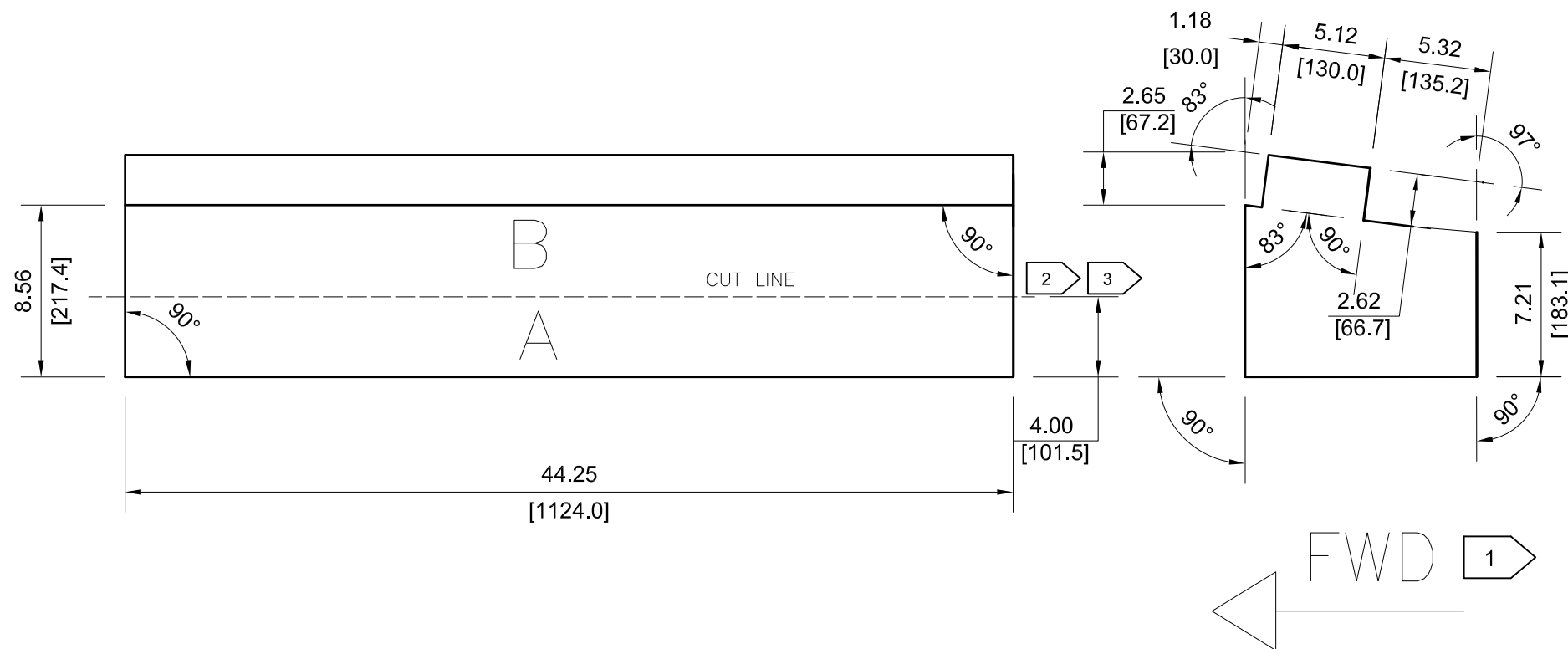
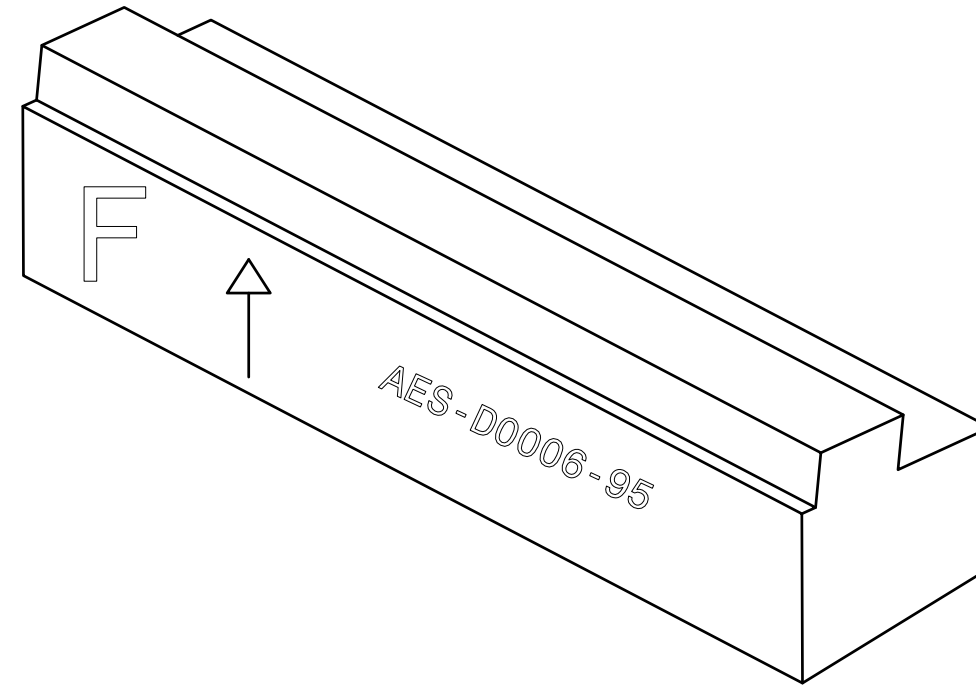


DRAWING NUMBER					AES-D0006	
SIZE	SCALE	SHEET	OF	REVISION		
A3	NONE	47	166	D		



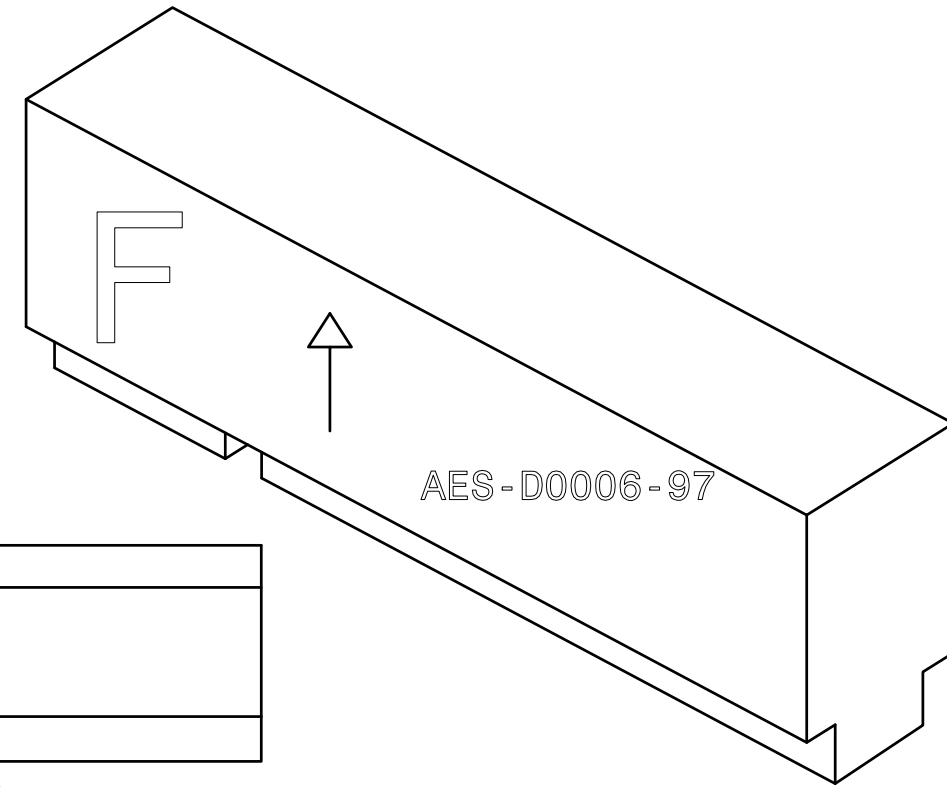
	DRAWING NUMBER				AES-D0006
	SIZE	SCALE	SHEET	OF	REVISION
A3	NONE	48	166	D	

95

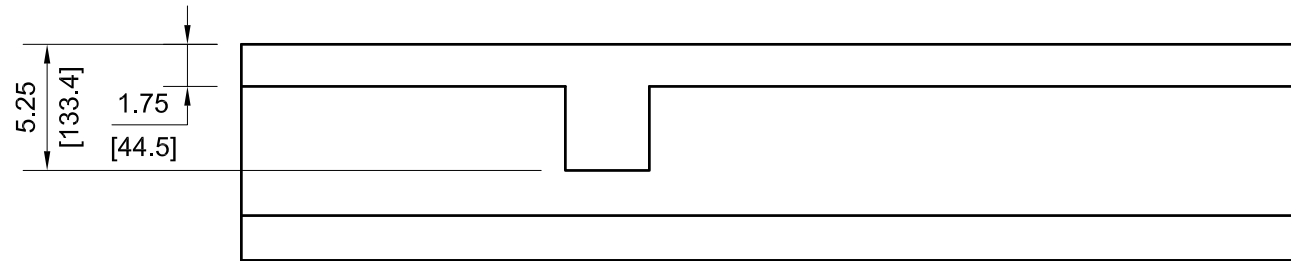
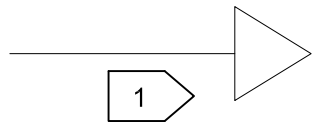


	DRAWING NUMBER				AES-D0006
	SIZE	SCALE	SHEET	OF	REVISION
A3	NONE	49	166	D	

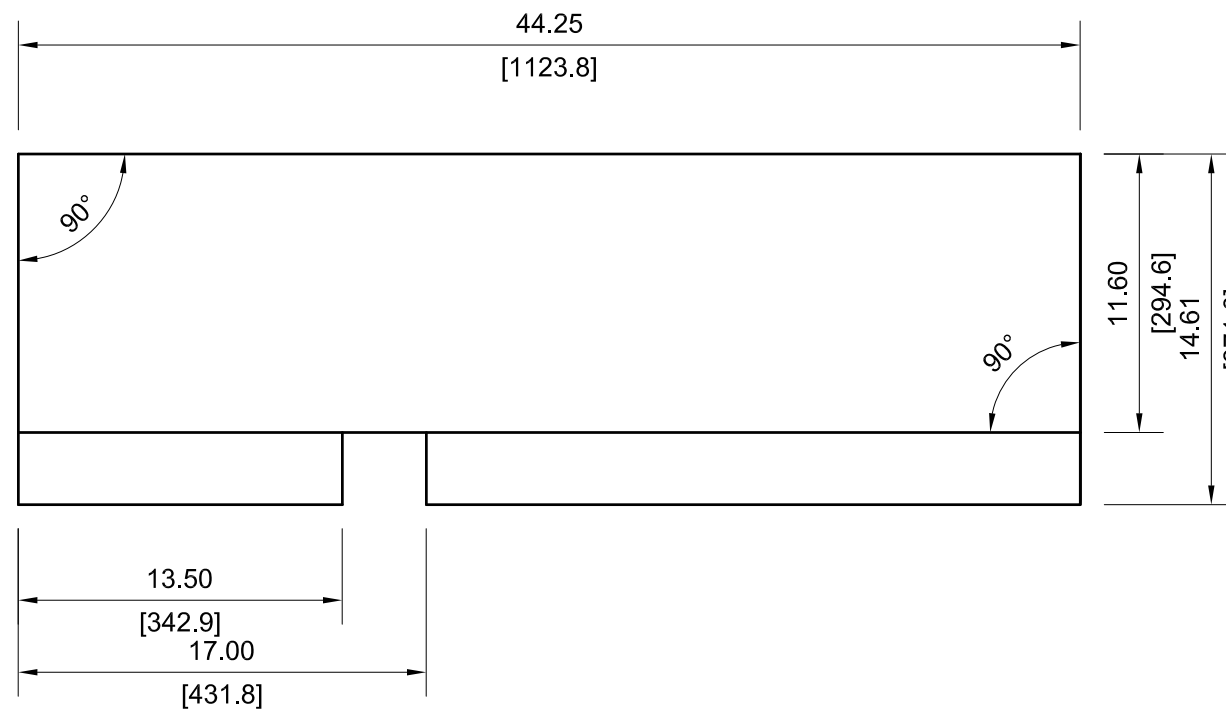
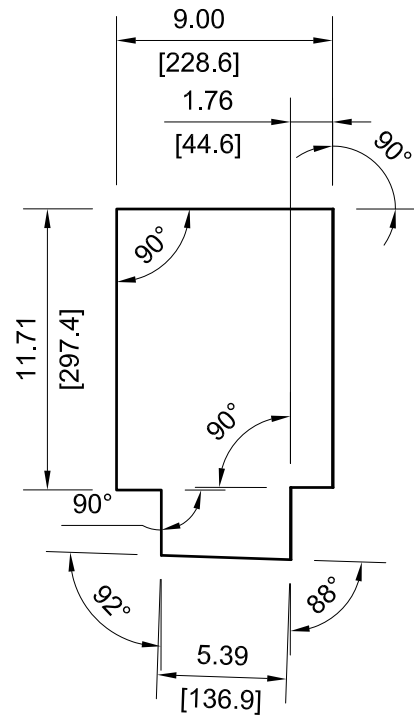
97



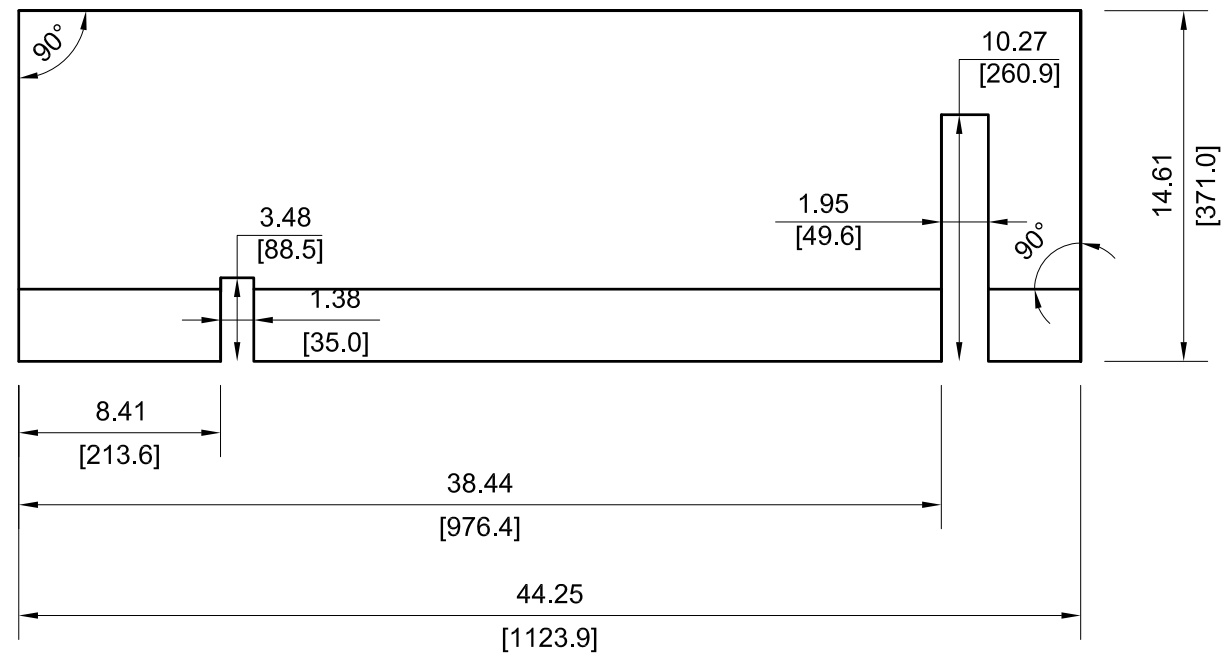
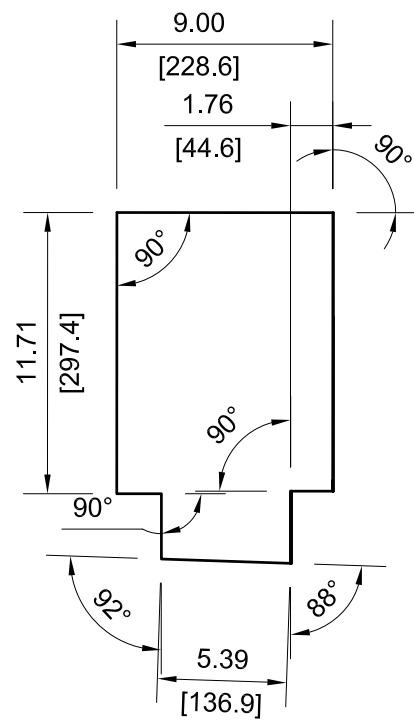
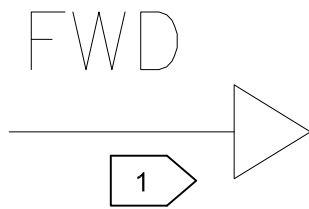
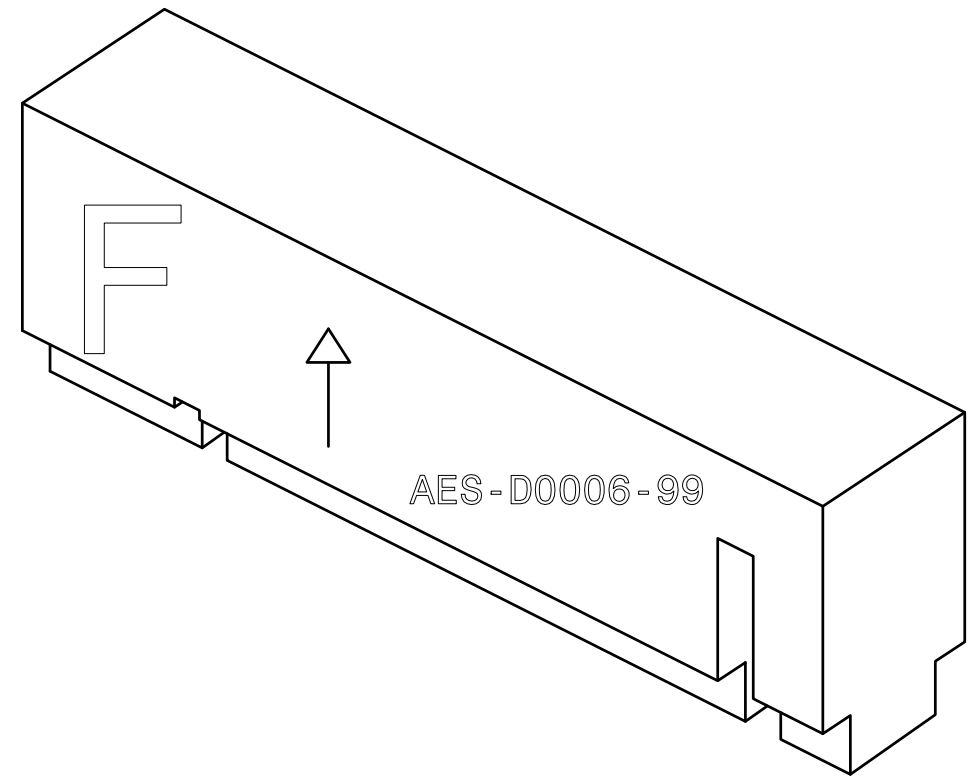
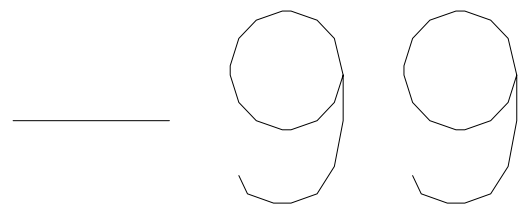
FWD




BOTTOM VIEW RELATIVE TO VIEW E4-50

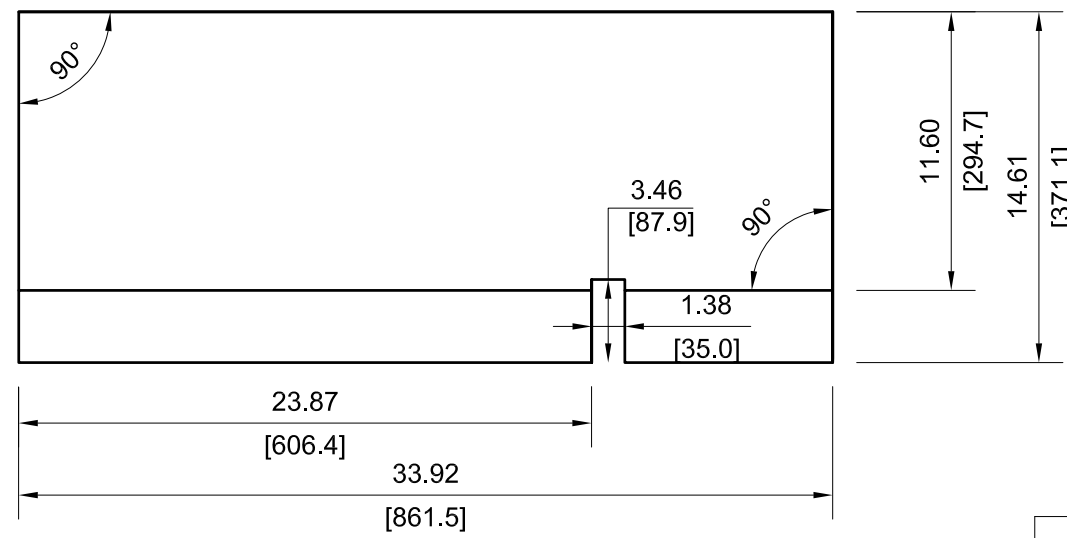
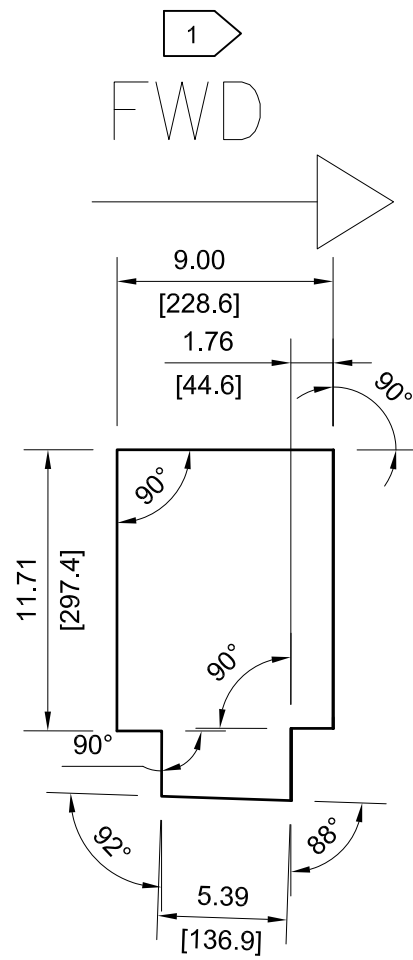
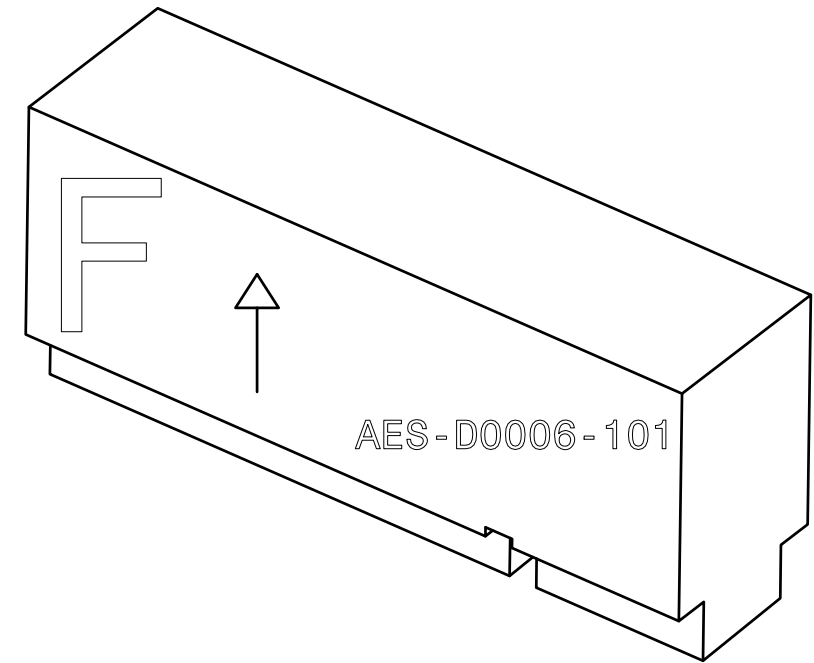



DRAWING NUMBER				
AES-D0006				
SIZE	SCALE	SHEET	OF	REVISION
A3	NONE	50	166	D



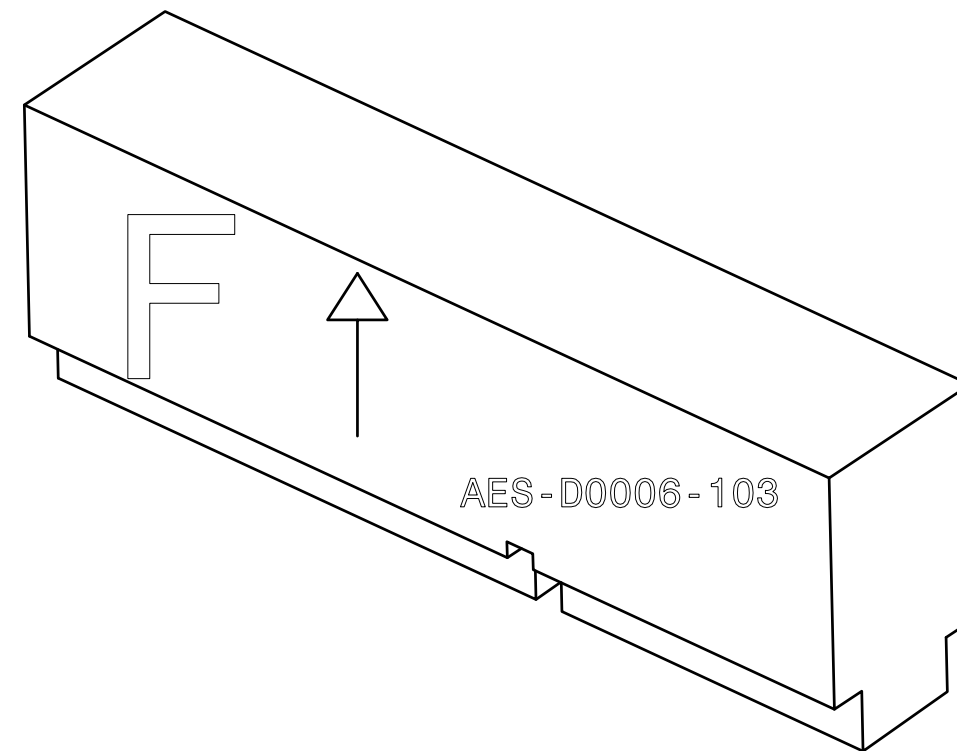
		DRAWING NUMBER			
		AES-D0006			
SIZE	SCALE	SHEET	OF	REVISION	
A3	NONE	51	166	D	

101

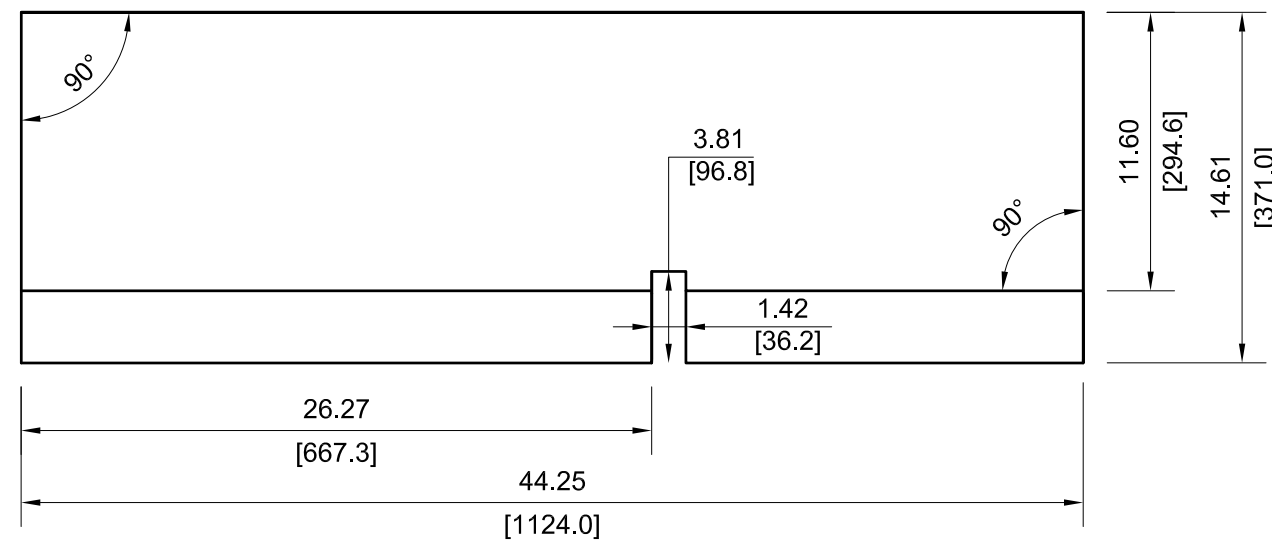
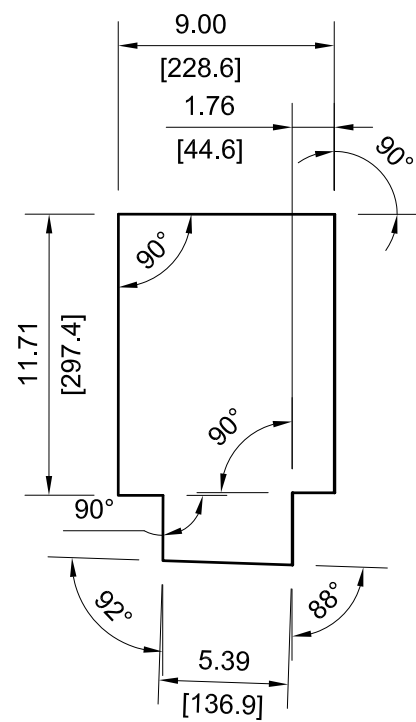
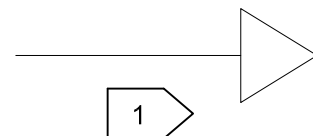


		DRAWING NUMBER			
		AES-D0006			
SIZE	SCALE	SHEET	OF	REVISION	
A3	NONE	52	166	D	

103

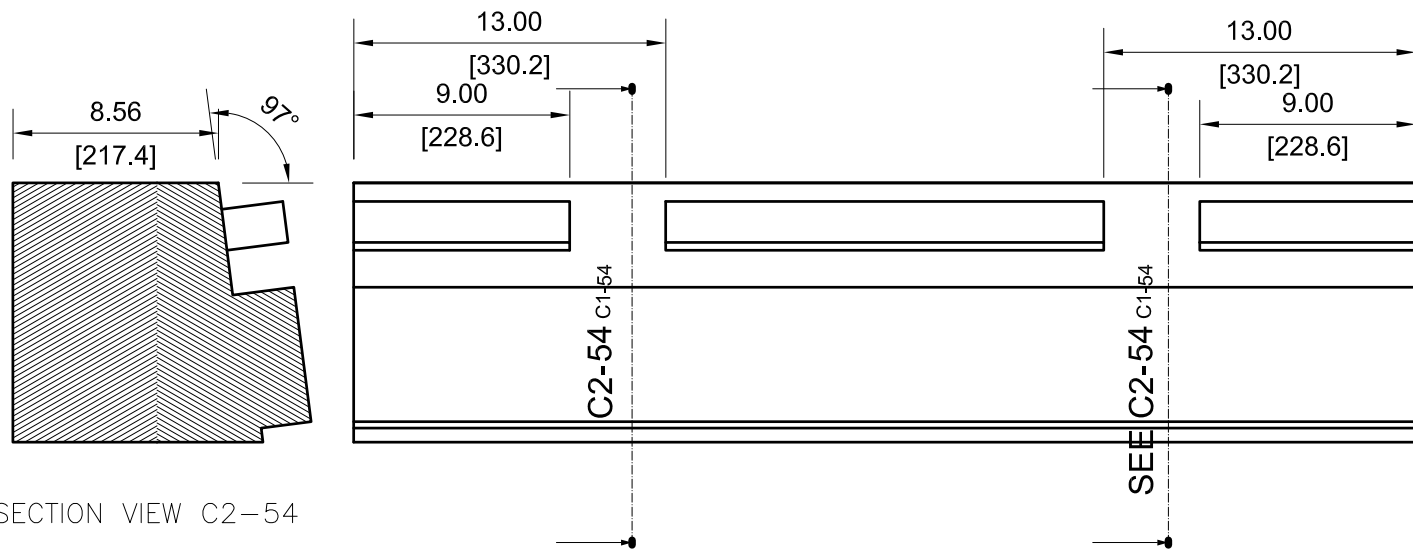
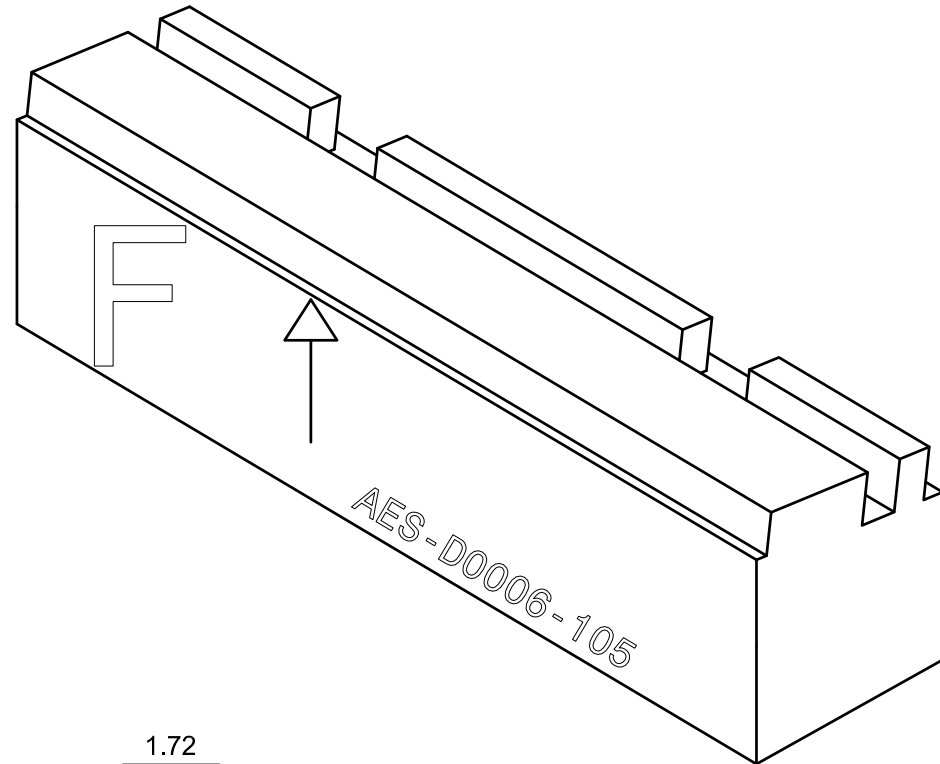


FWD

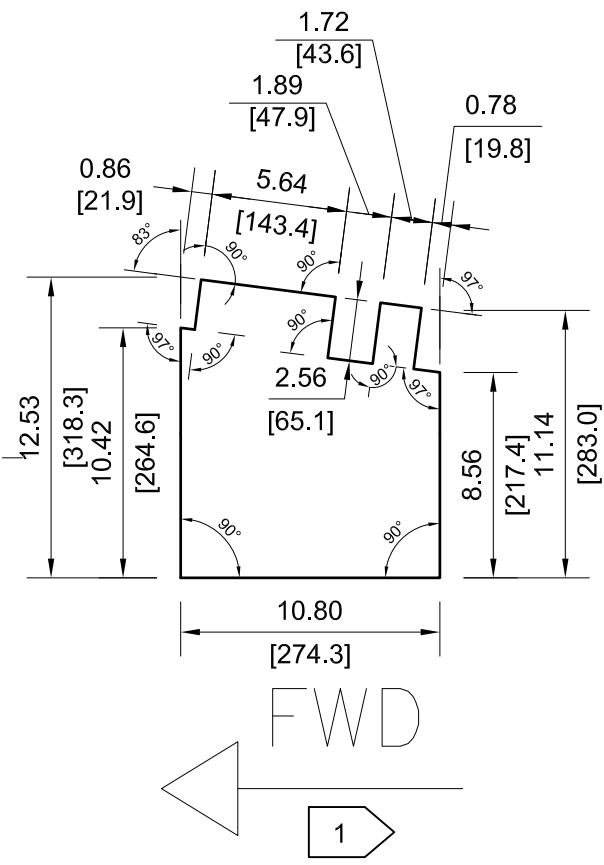
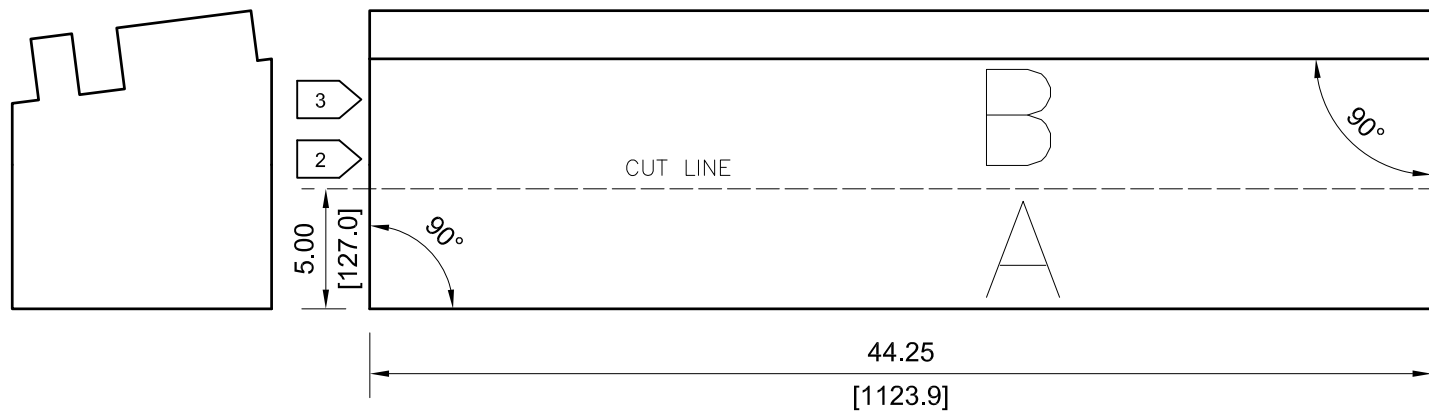


DRAWING NUMBER				
AES-D0006				
SIZE	SCALE	SHEET	OF	REVISION
A3	NONE	53	166	D

105



SECTION VIEW C2-54

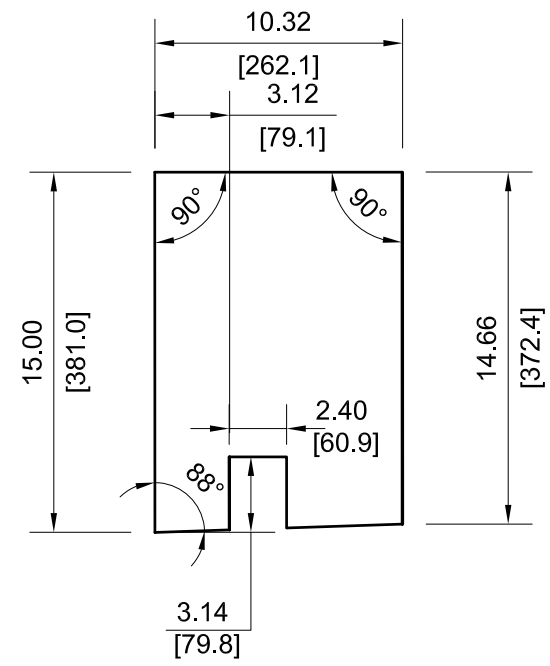
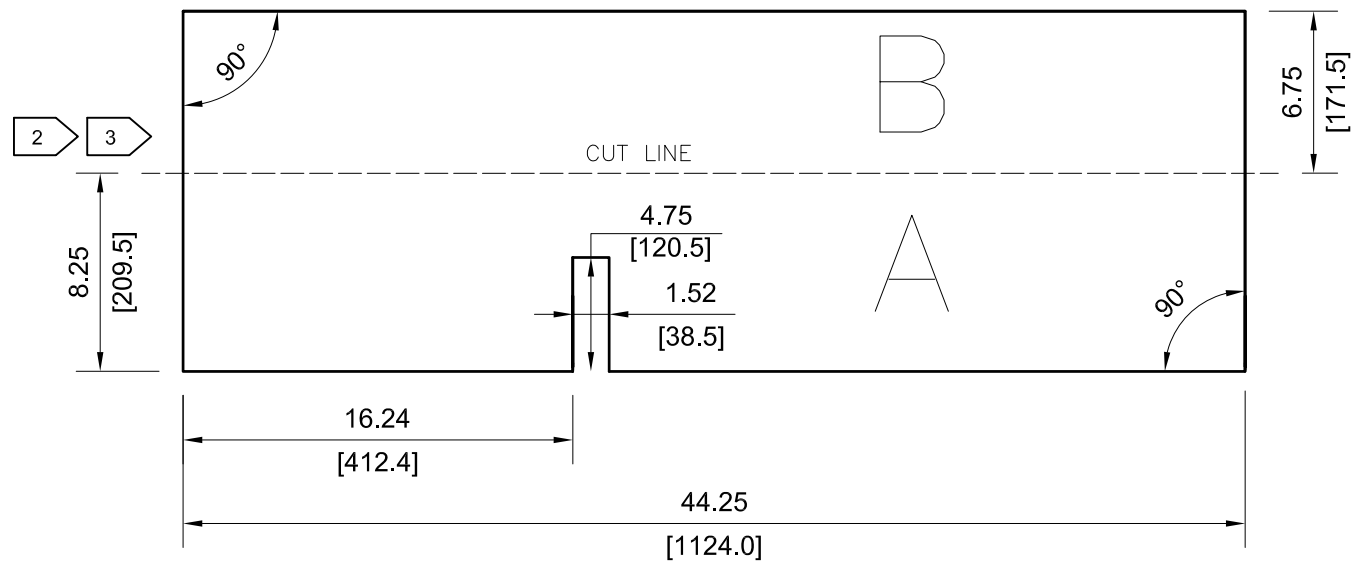
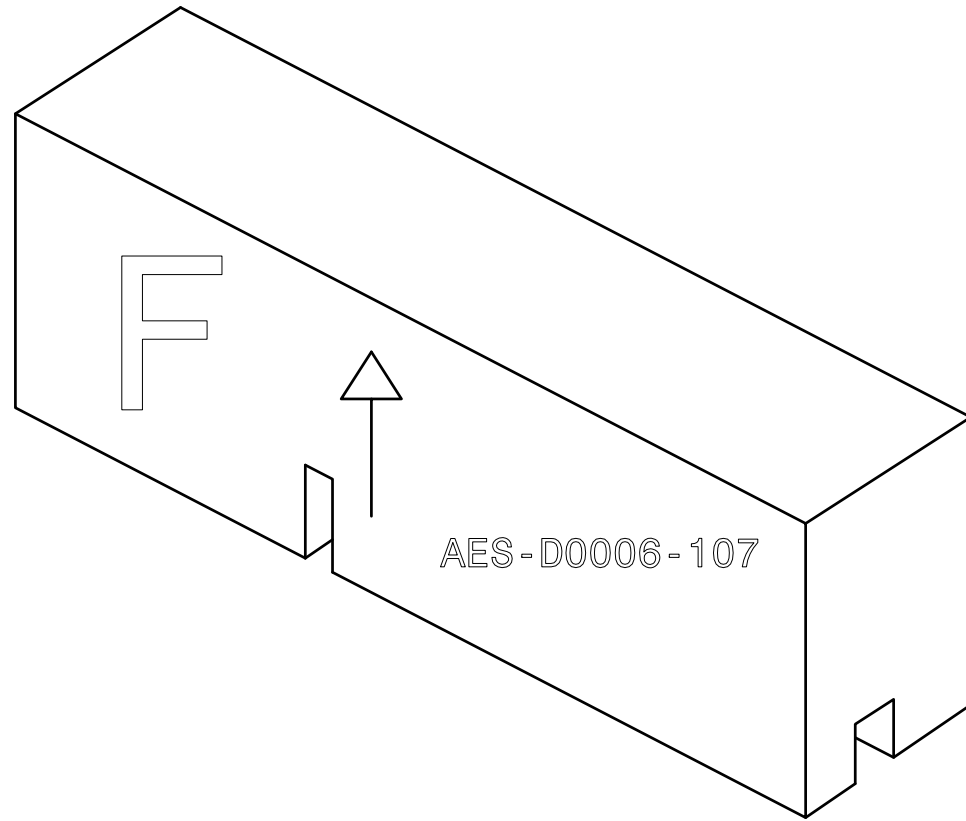



	DRAWING NUMBER				
	AES-D0006				
SIZE	SCALE	SHEET	OF	REVISION	
A3	NONE	54	166	D	

1 2 3 4 5 6 7 8

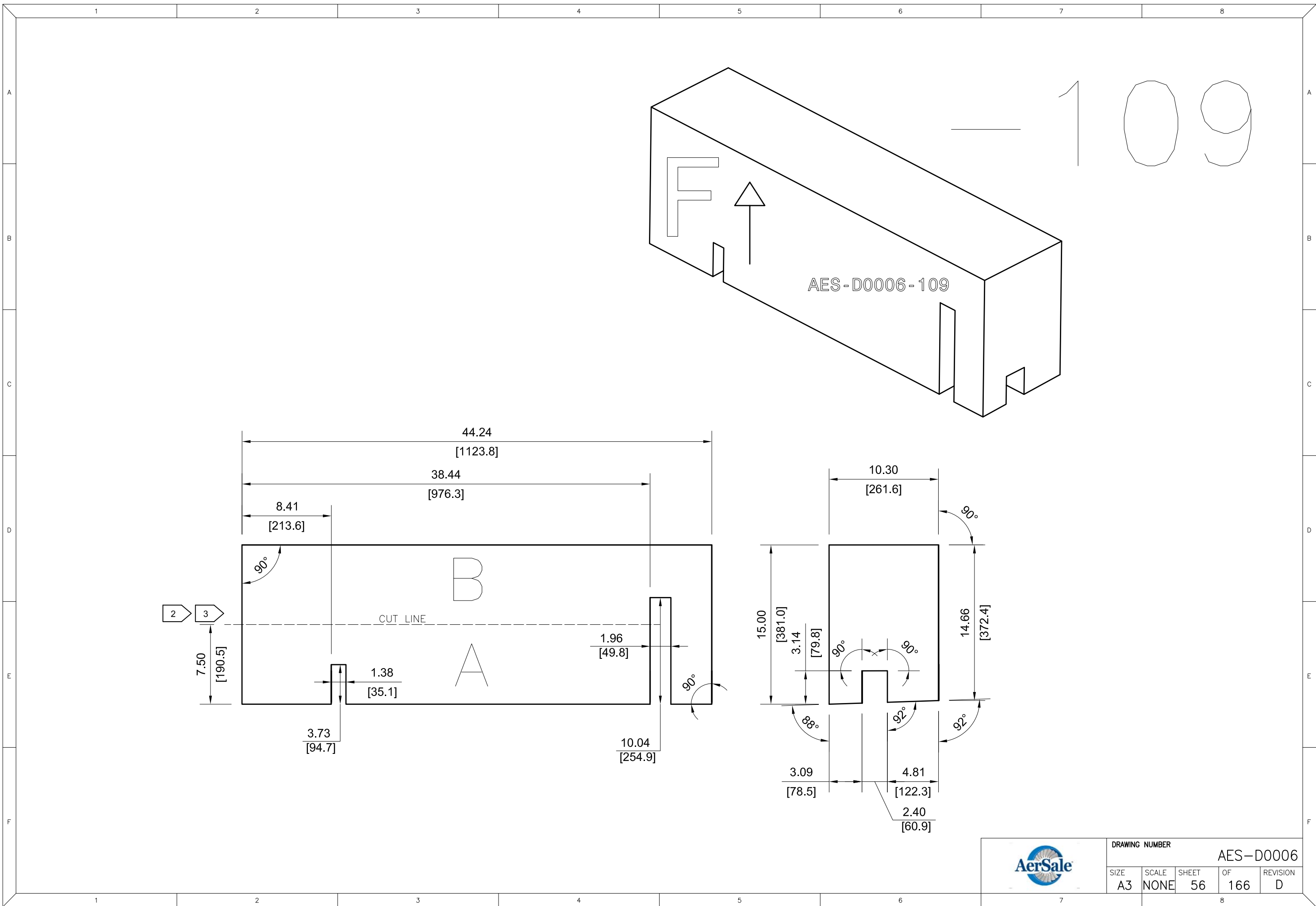
A
B
C
D
E
F


107

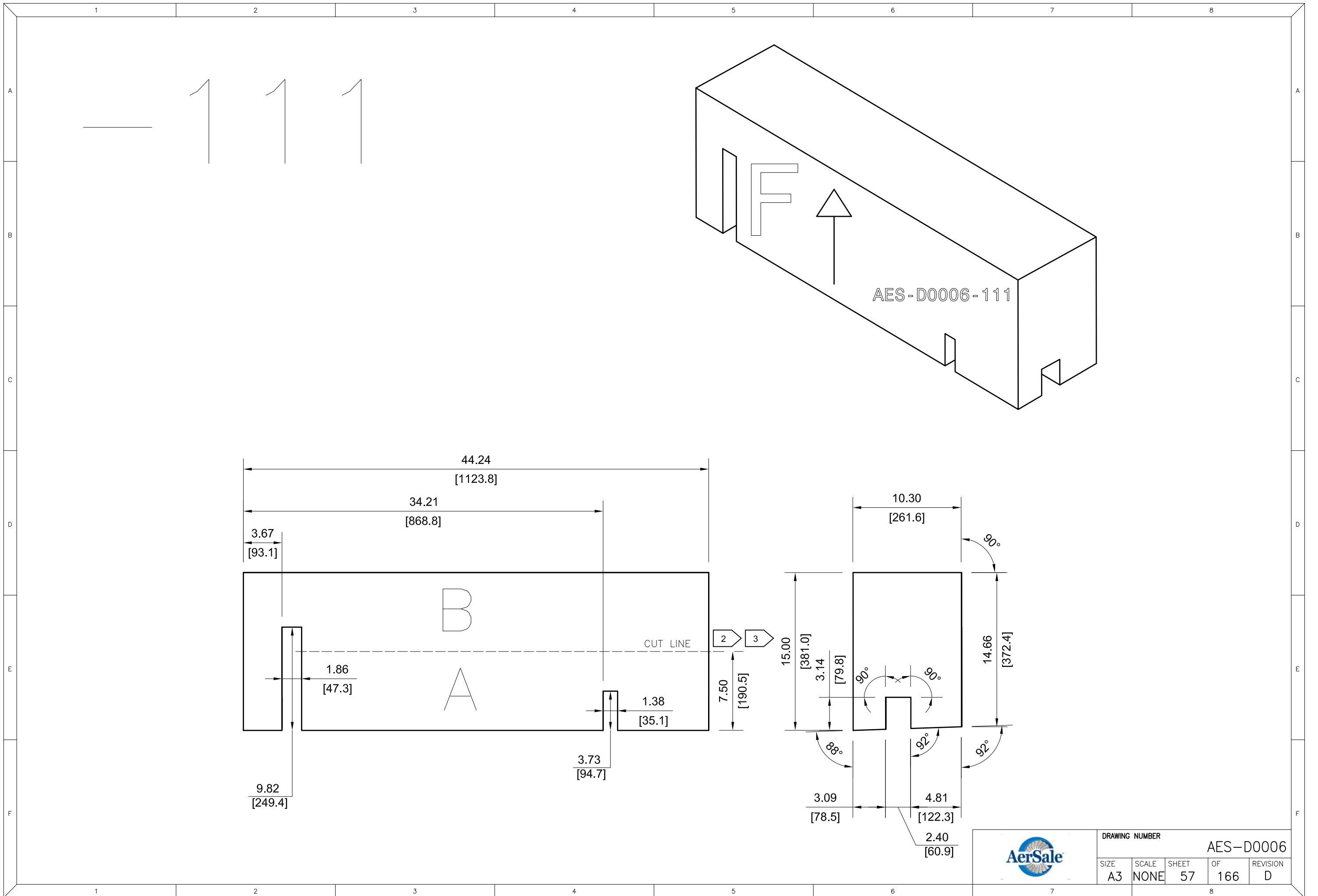


		DRAWING NUMBER			
		AES-D0006			
SIZE	SCALE	SHEET	OF	REVISION	
A3	NONE	55	166	D	

1 2 3 4 5 6 7 8

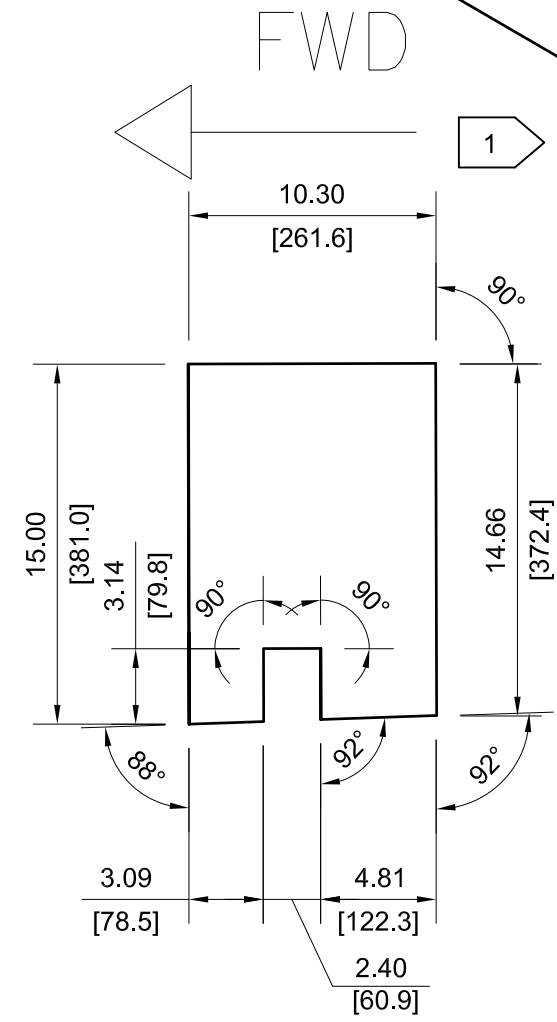
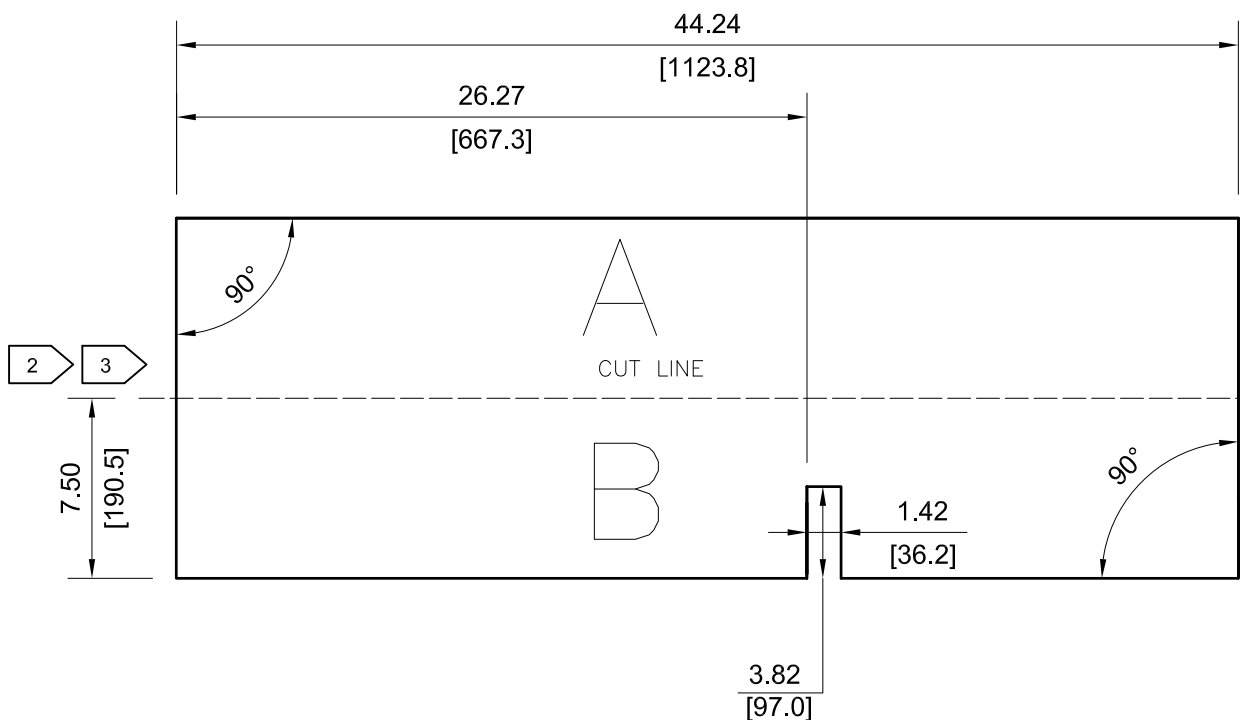
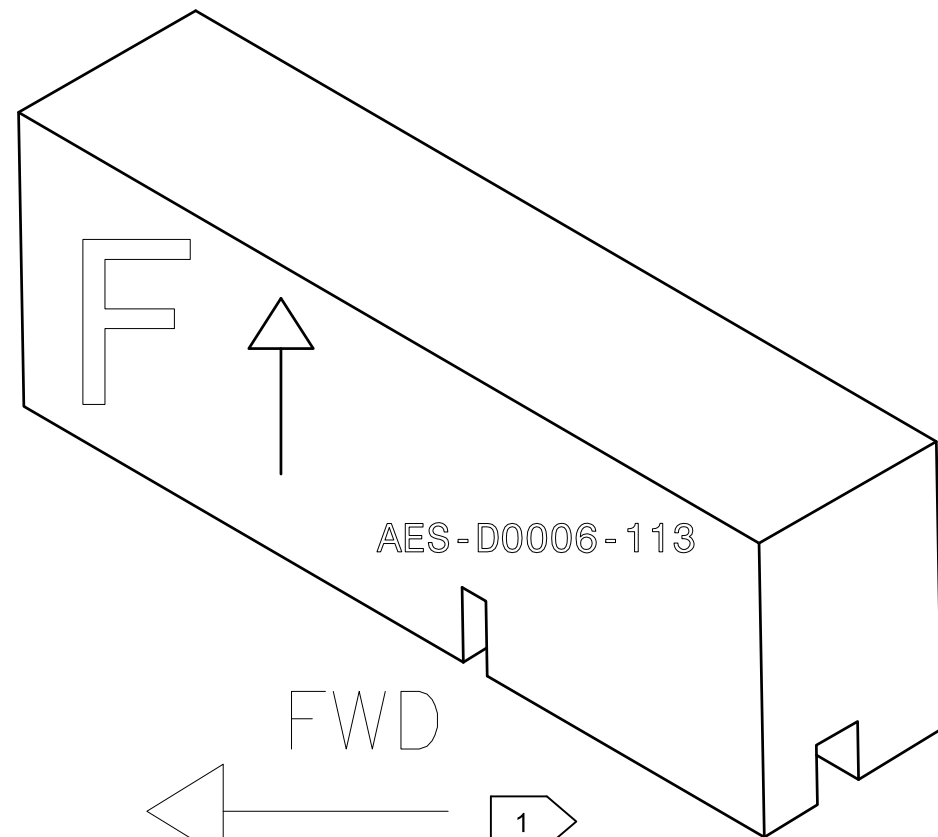


		DRAWING NUMBER			
		AES-D0006			
SIZE	SCALE	SHEET	OF	REVISION	
A3	NONE	56	166	D	



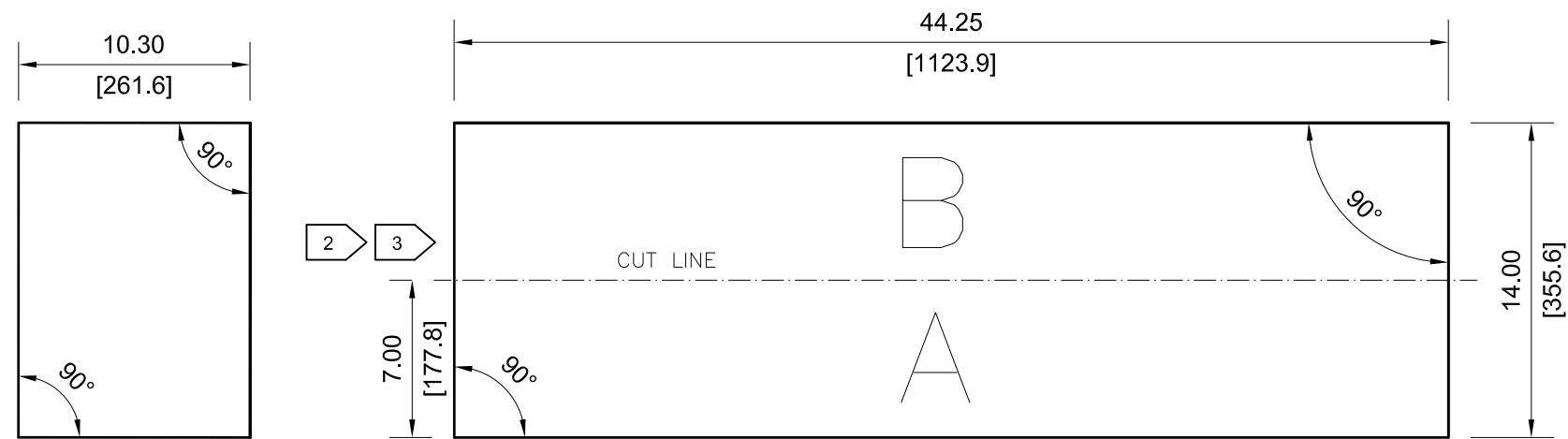
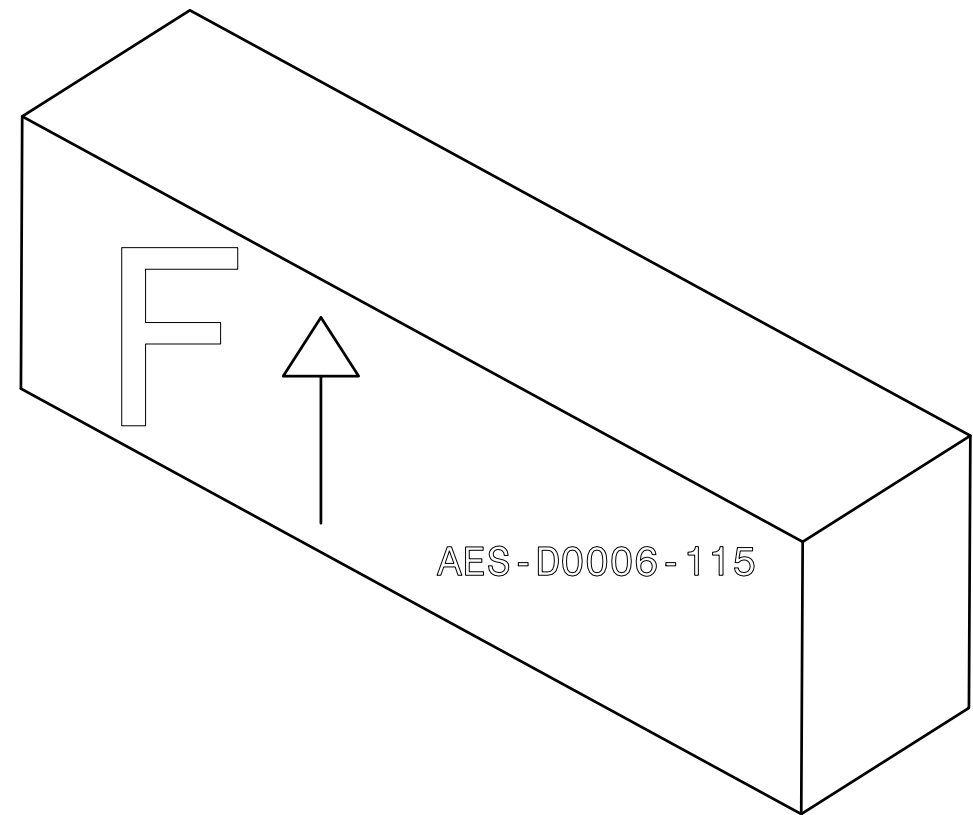
DRAWING NUMBER					AES-D0006				
SIZE	SCALE	SHEET	OF	REVISION					
A3	NONE	57	166	D					

- 113



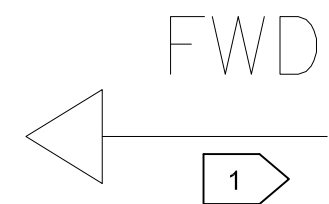
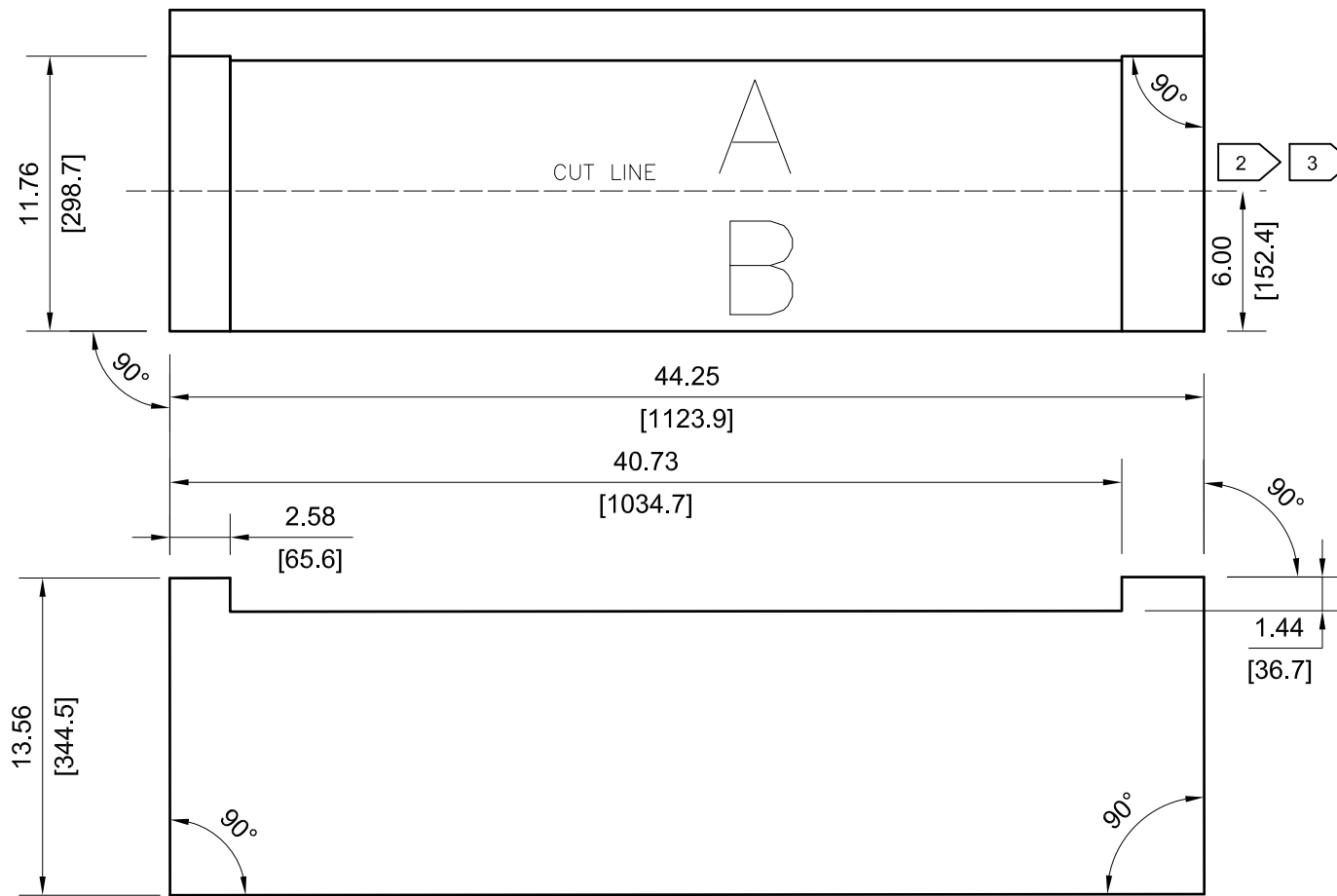
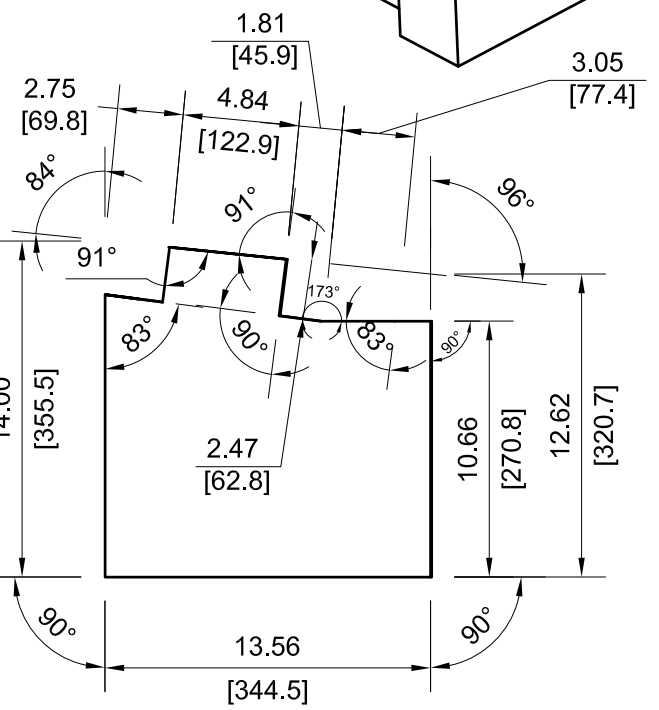
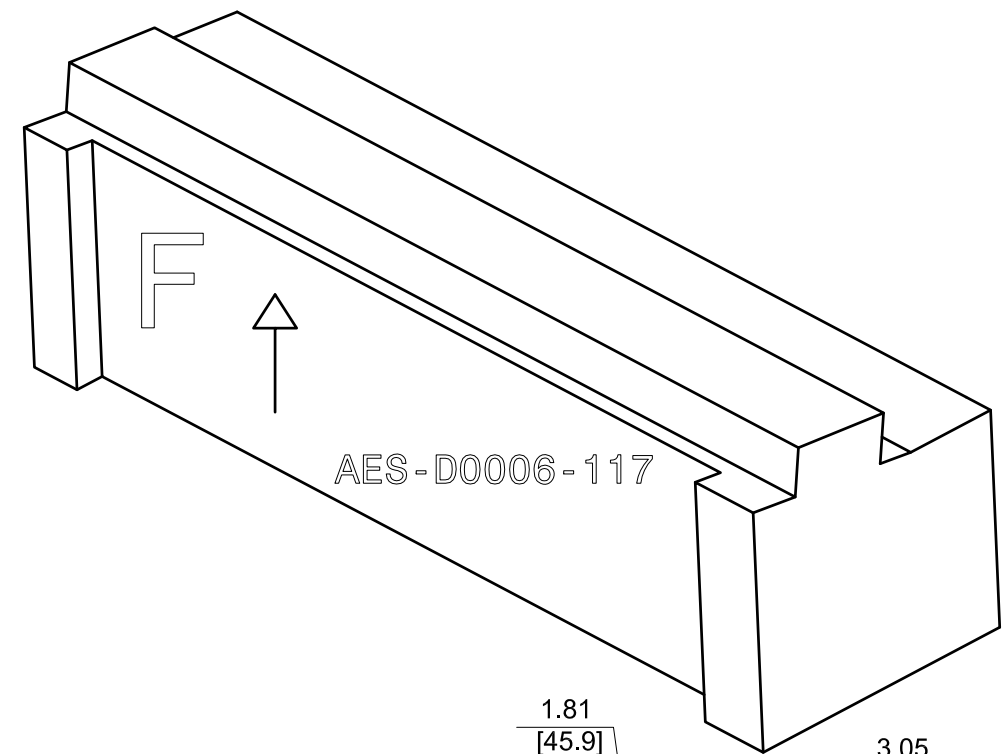
DRAWING NUMBER				
AES-D0006				
SIZE	SCALE	SHEET	OF	REVISION
A3	NONE	58	166	D

— 115



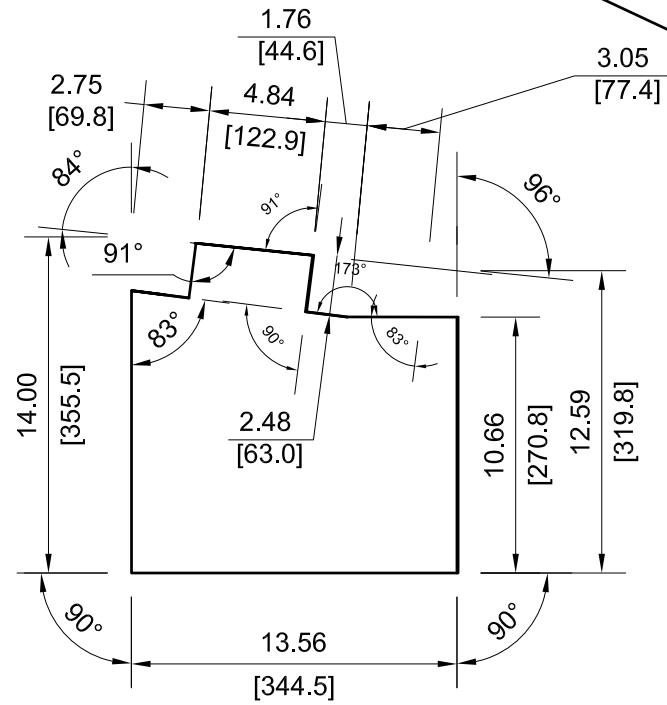
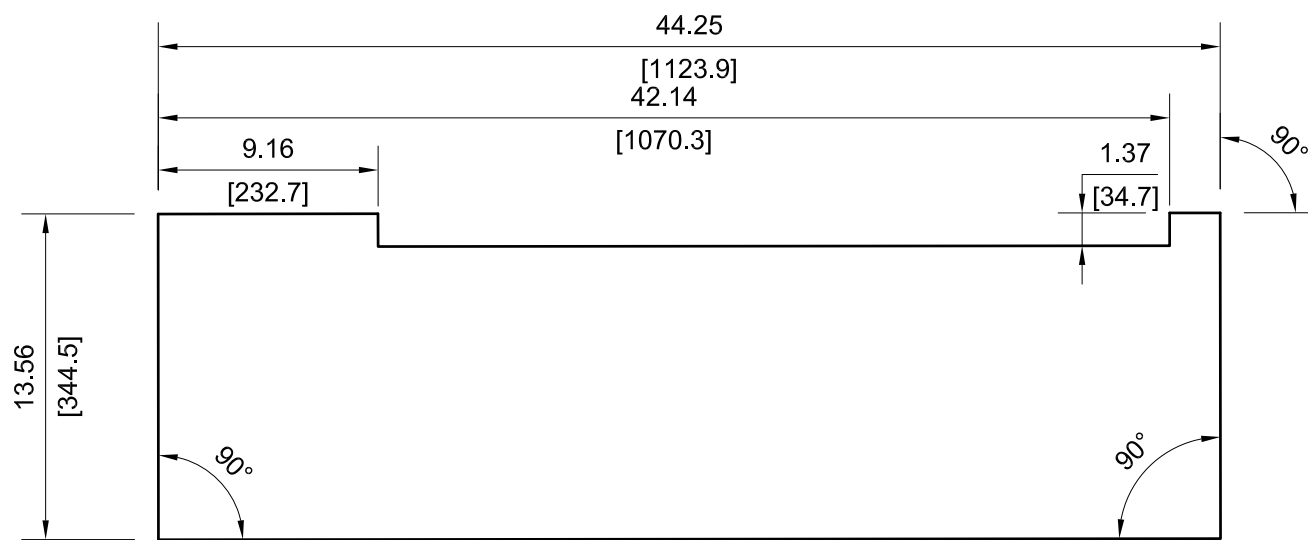
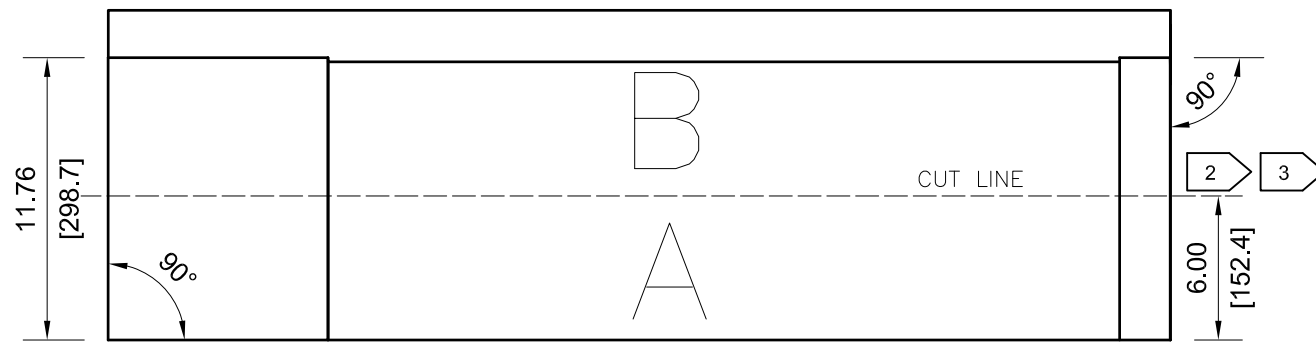
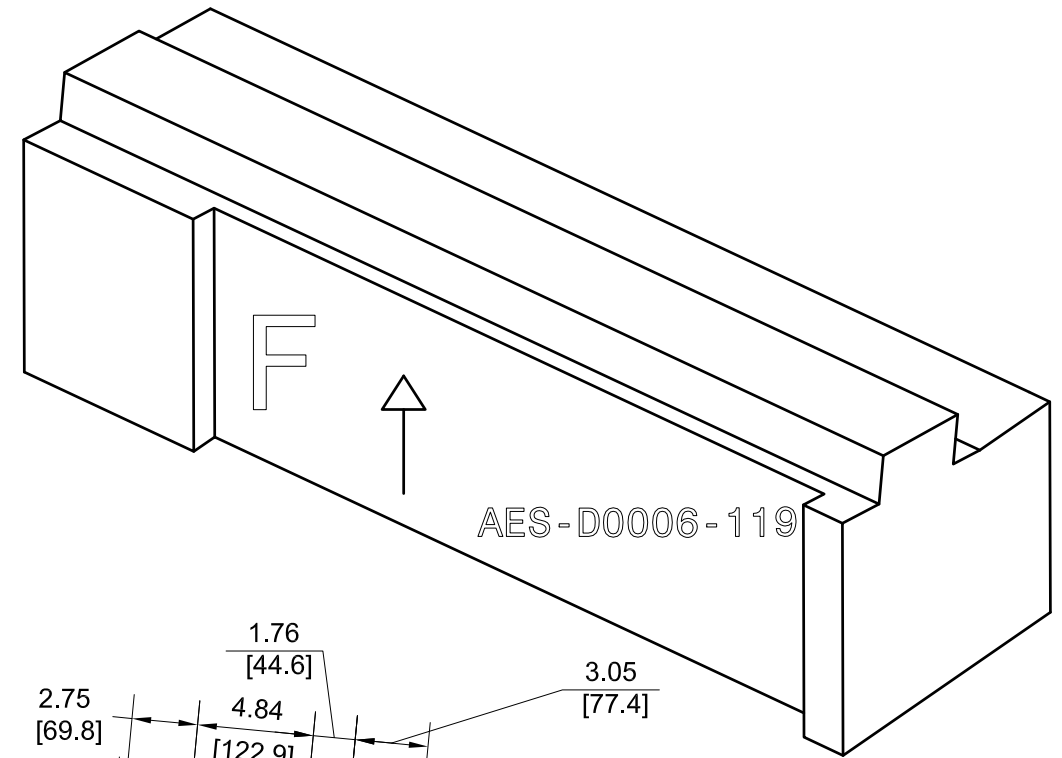
DRAWING NUMBER				
AES-D0006				
SIZE	SCALE	SHEET	OF	REVISION
A3	NONE	59	166	D


117



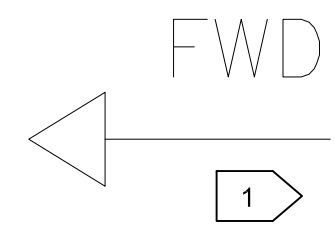
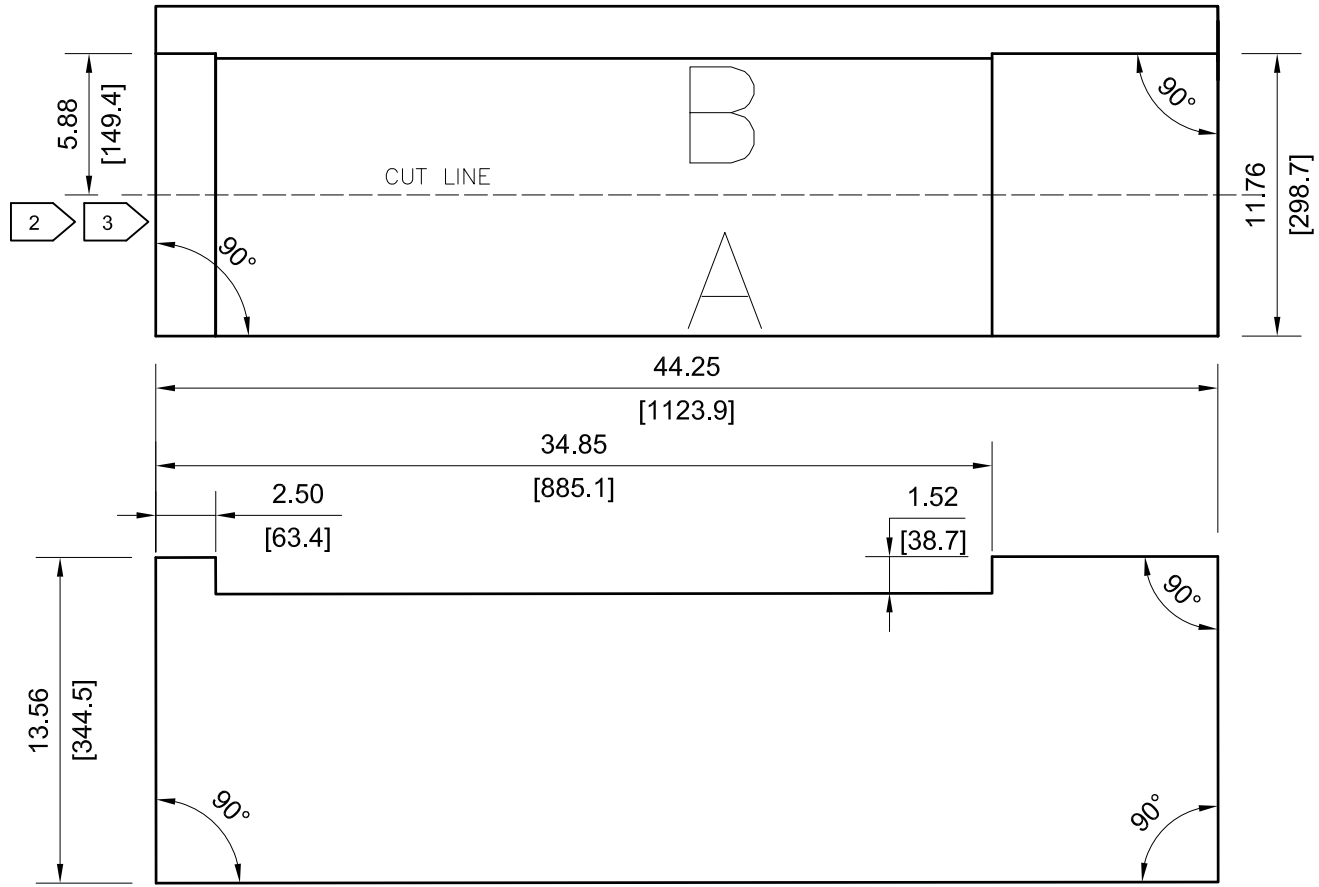
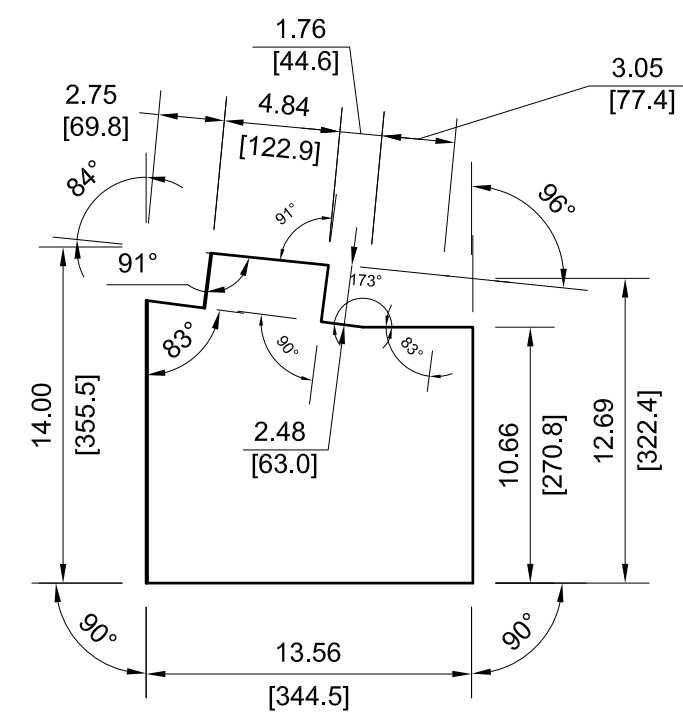
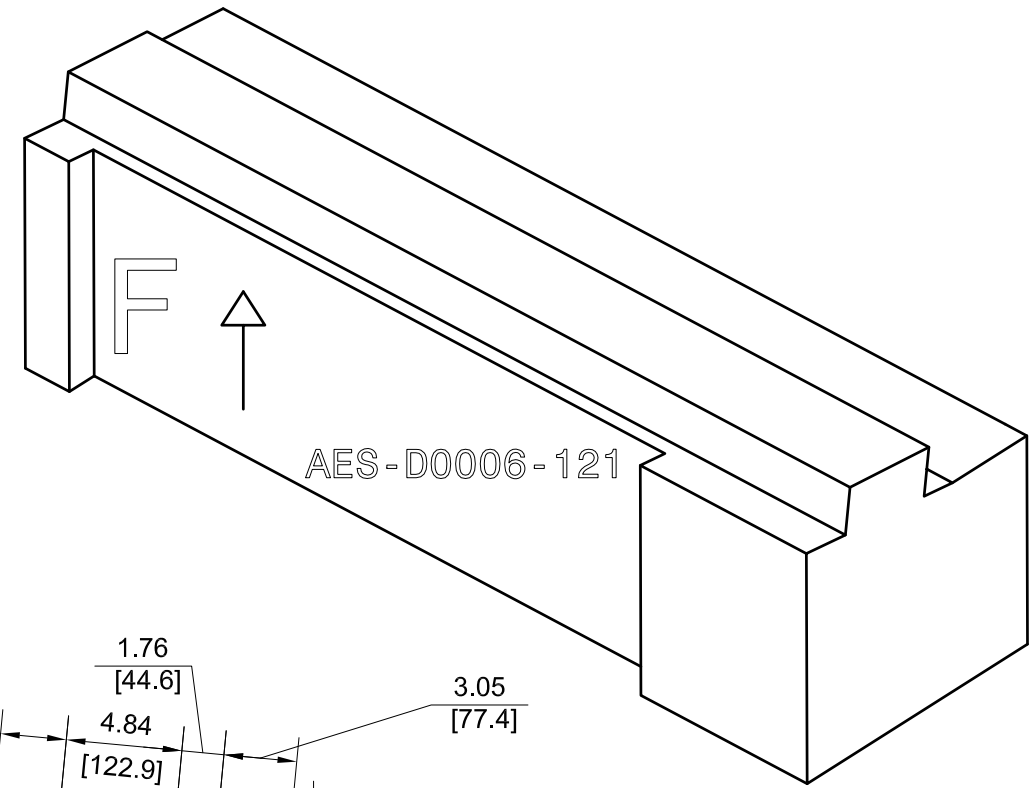
DRAWING NUMBER				
AES-D0006				
SIZE	SCALE	SHEET	OF	REVISION
A3	NONE	60	166	D

119



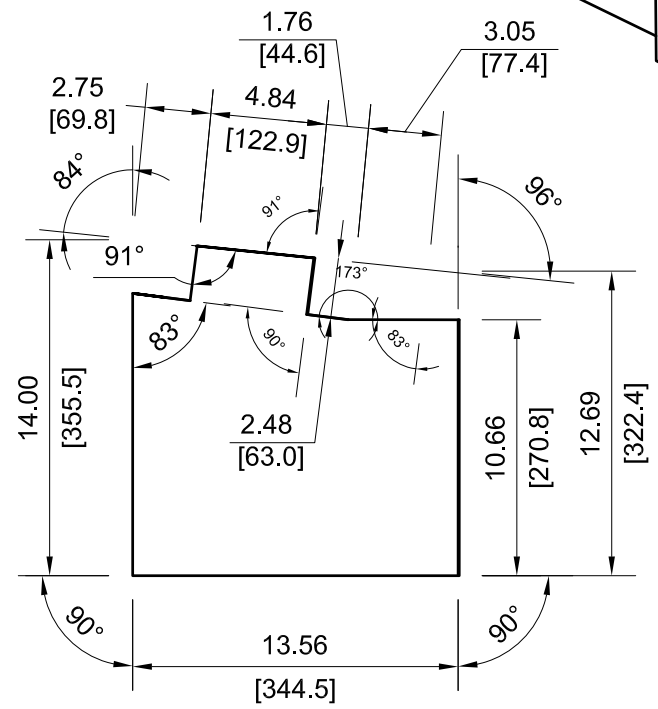
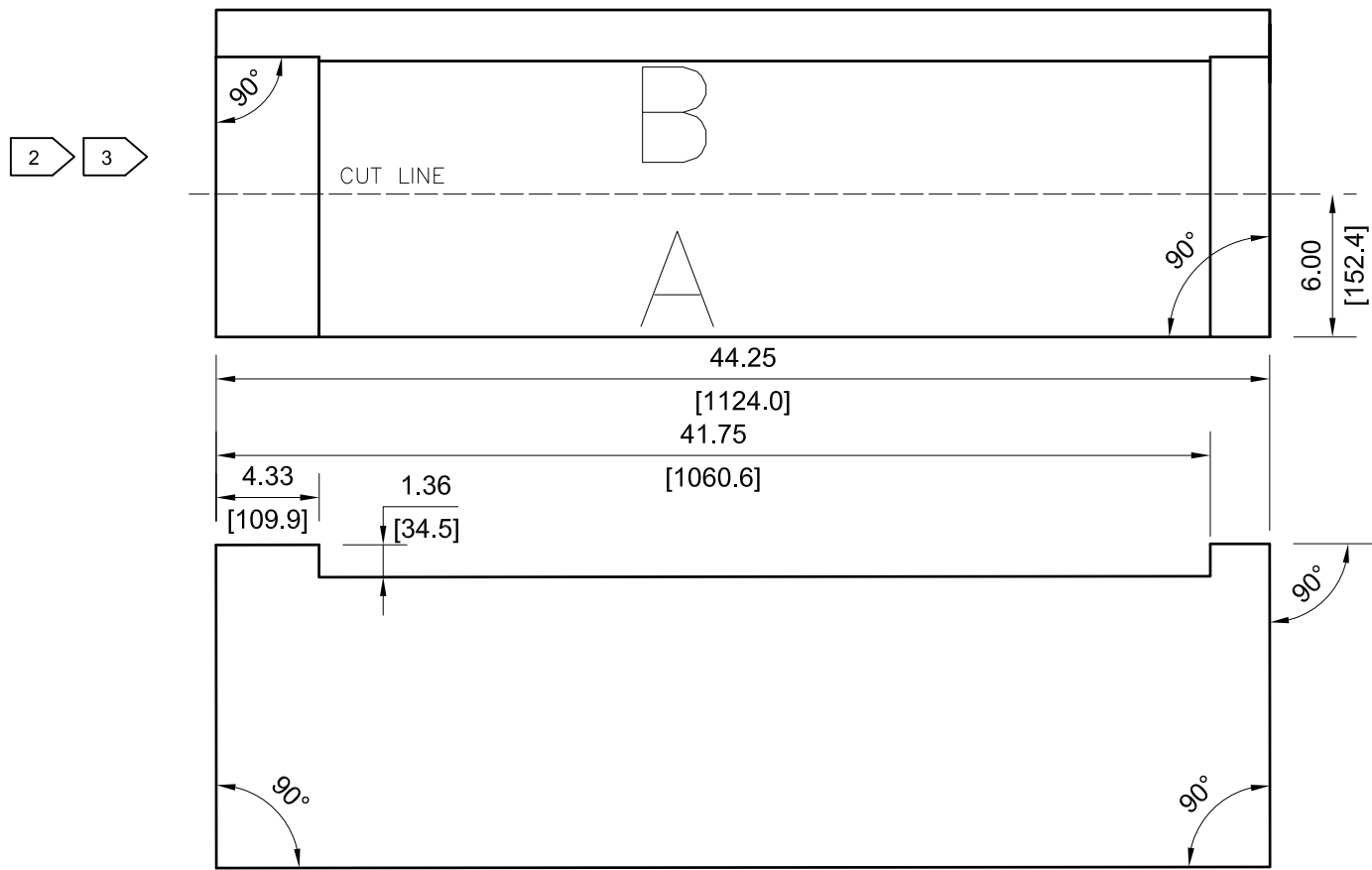
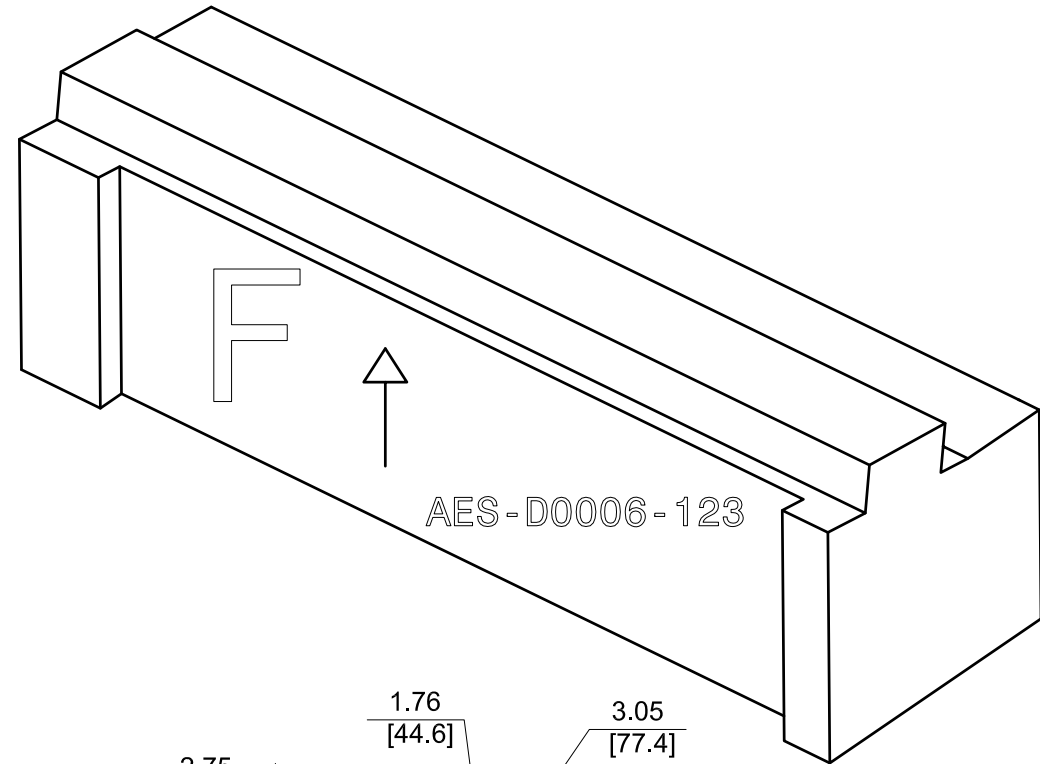
		DRAWING NUMBER			
		AES-D0006			
SIZE	SCALE	SHEET	OF	REVISION	
A3	NONE	61	166	D	


121

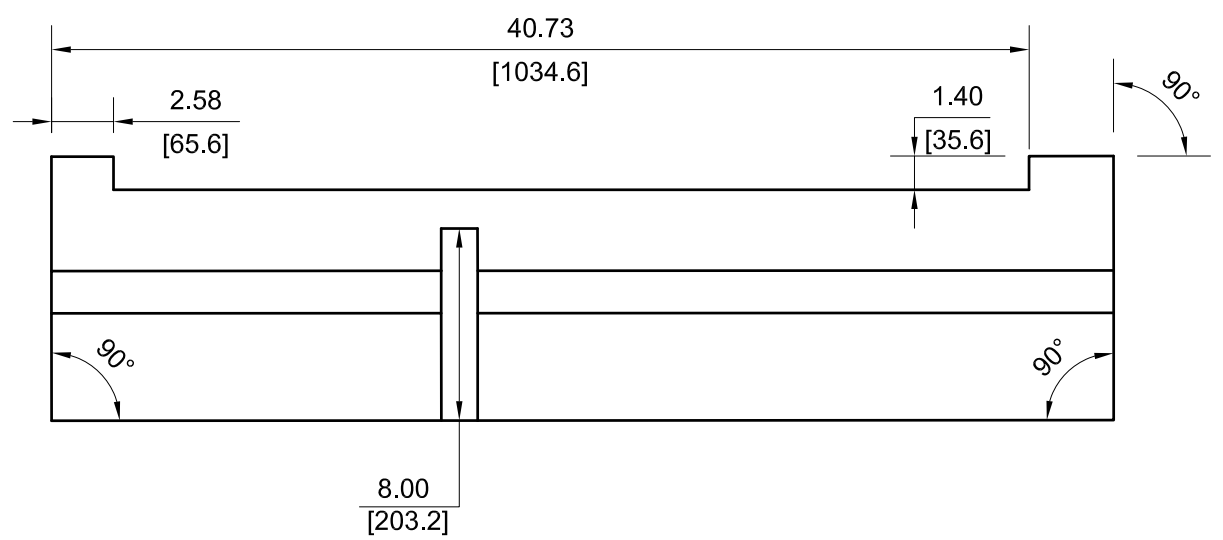
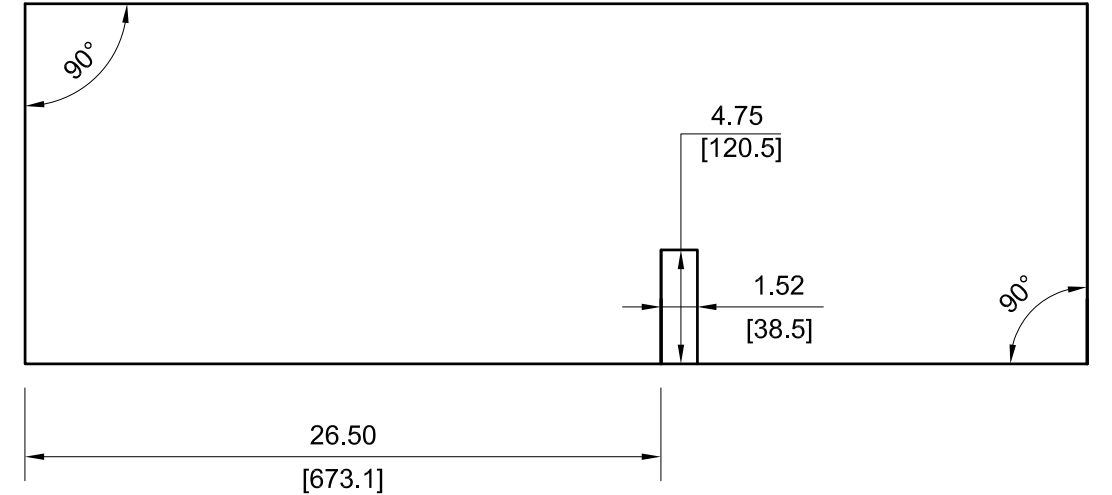
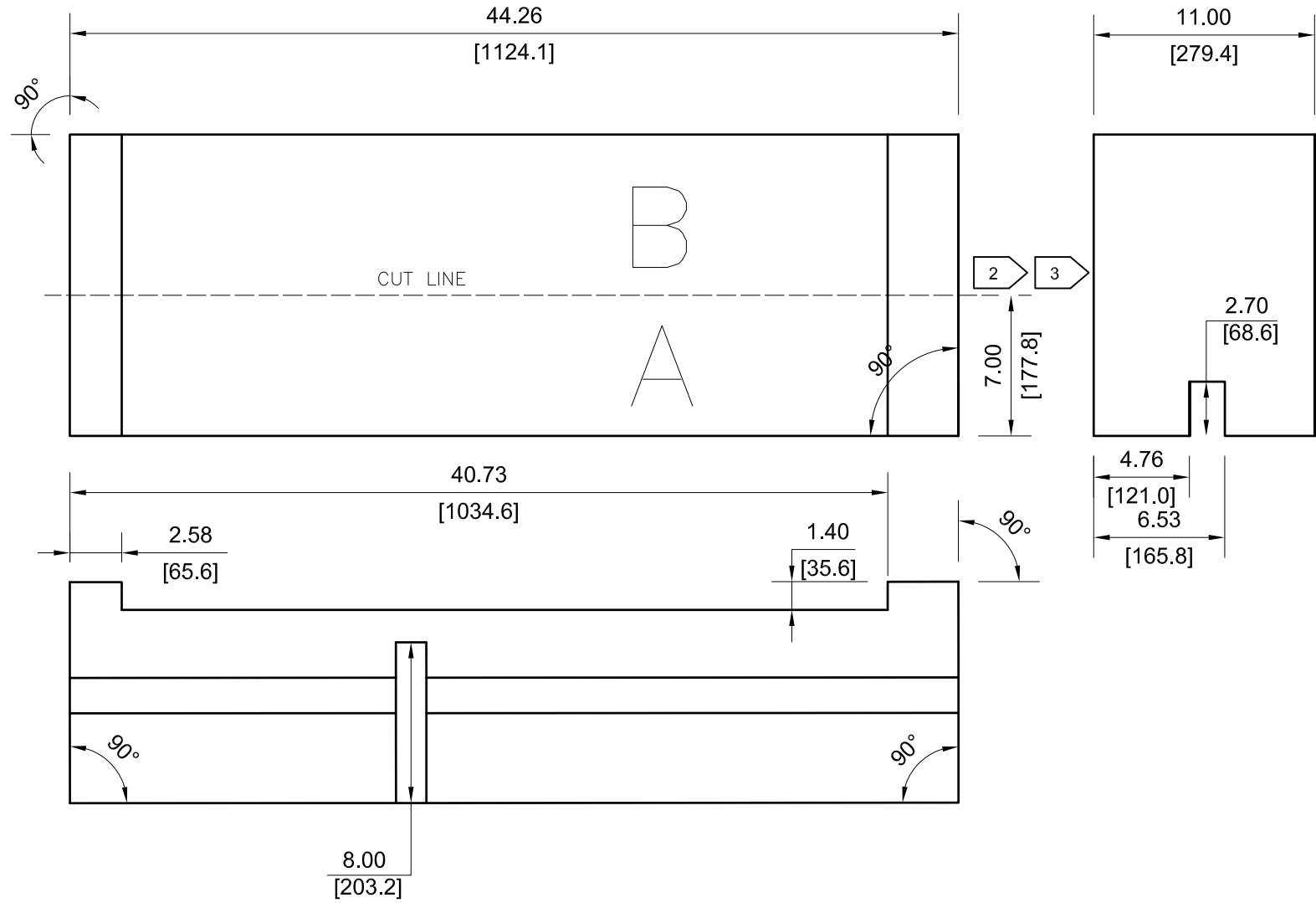
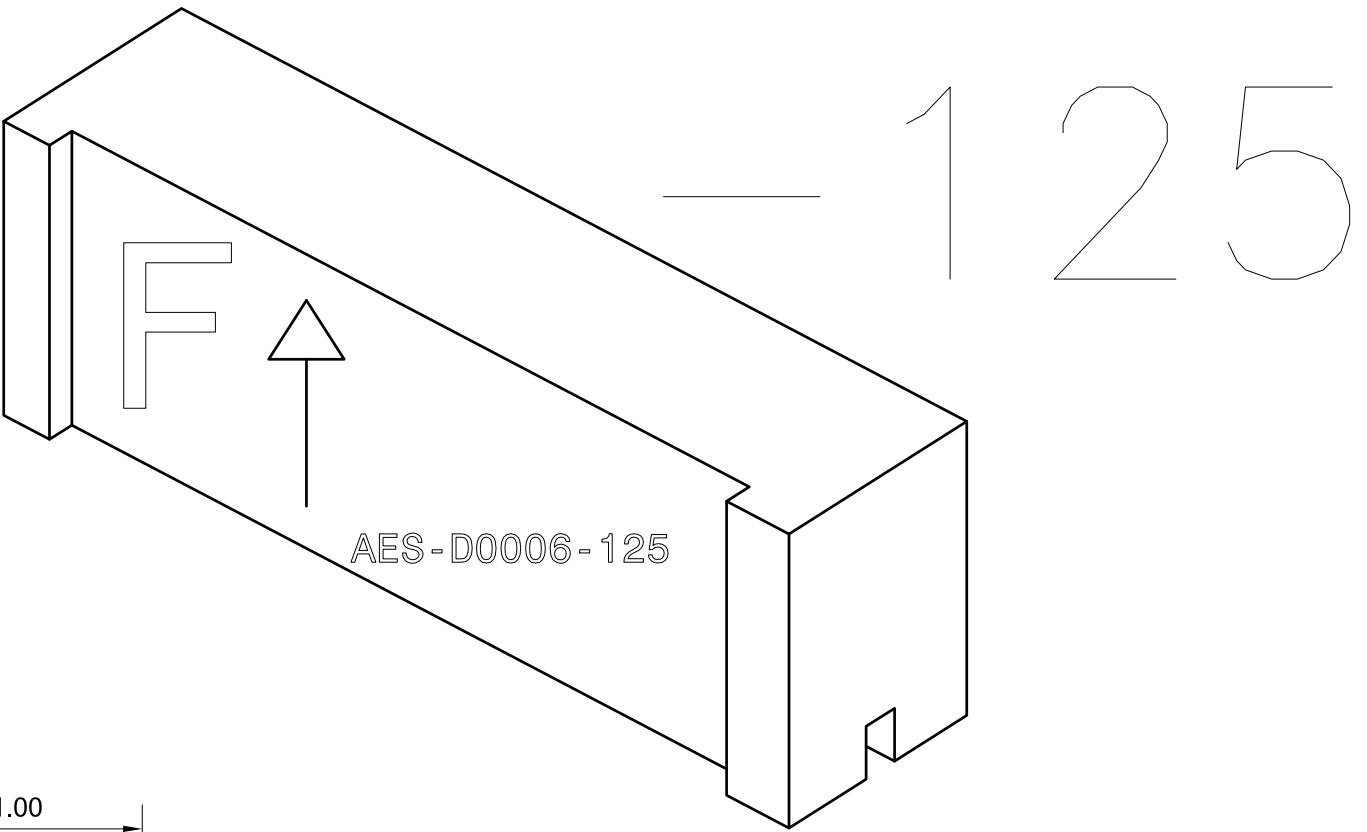
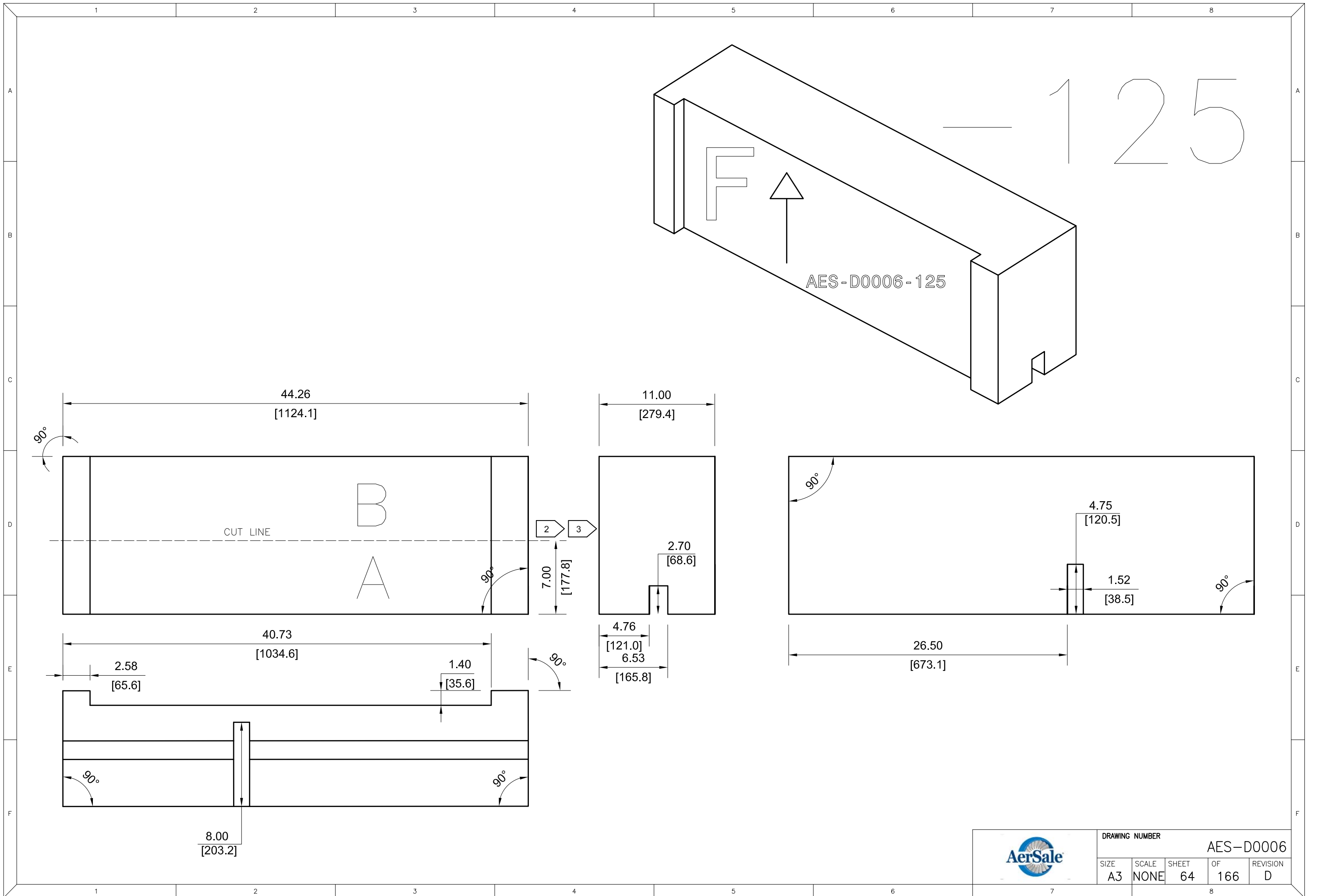



	DRAWING NUMBER				
	AES-D0006				
SIZE	SCALE	SHEET	OF	REVISION	
A3	NONE	62	166	D	

1 2 3



		DRAWING NUMBER			
		AES-D0006			
SIZE	SCALE	SHEET	OF	REVISION	
A3	NONE	63	166	D	

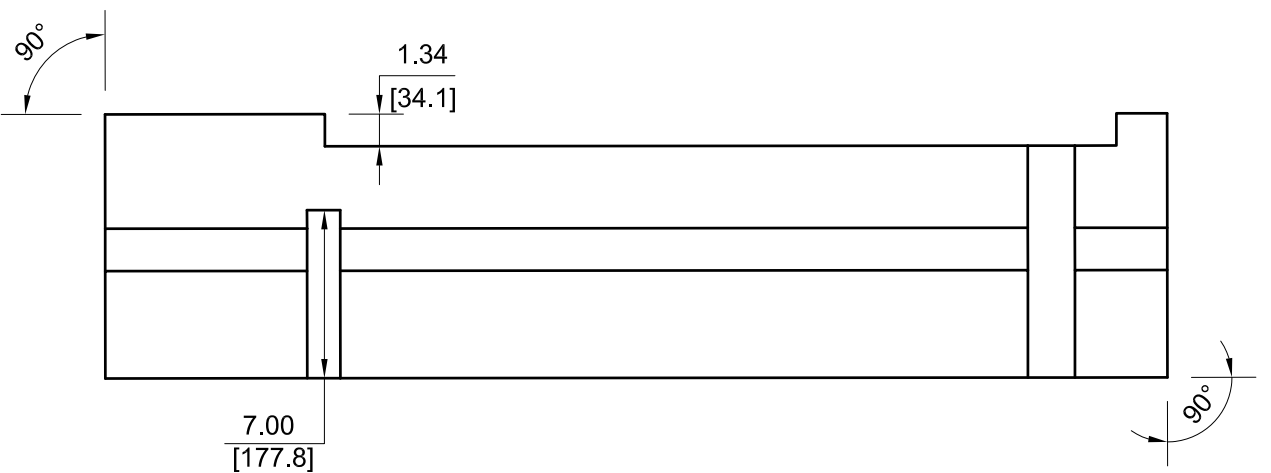
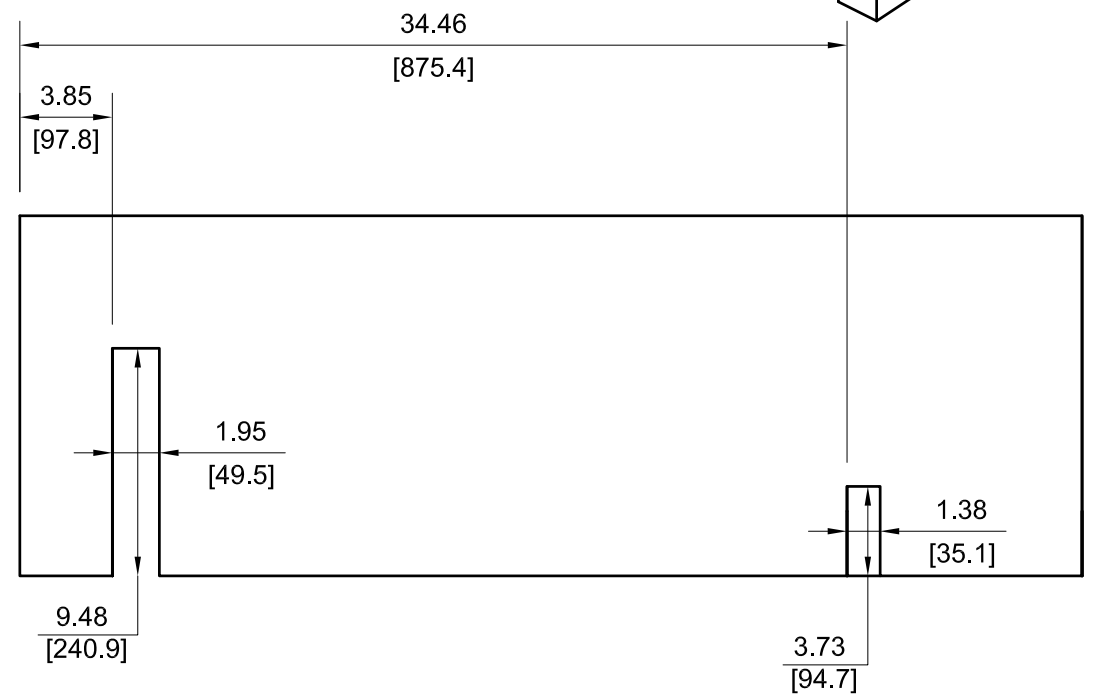
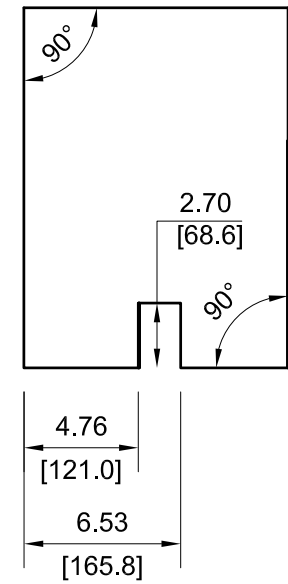
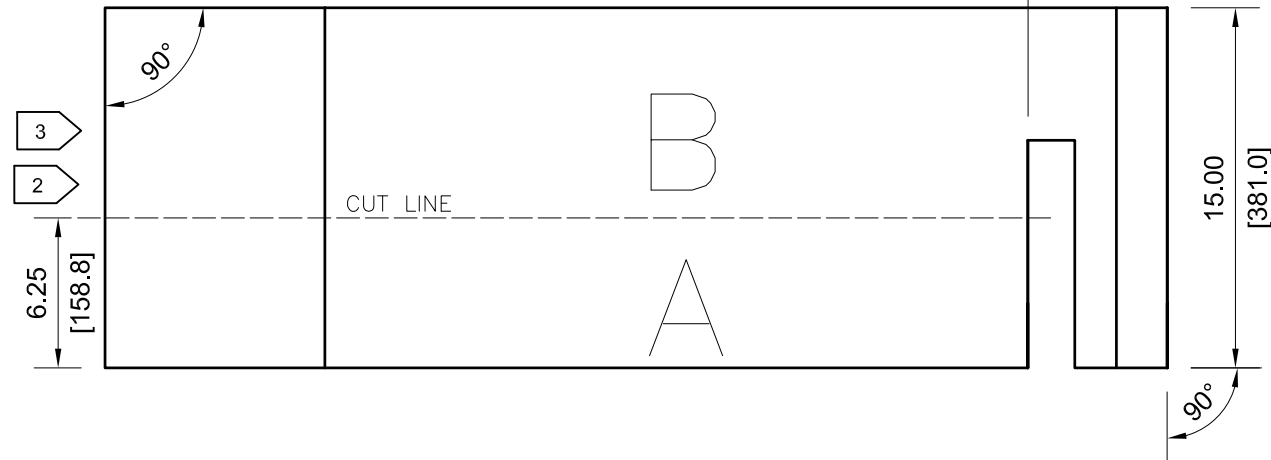
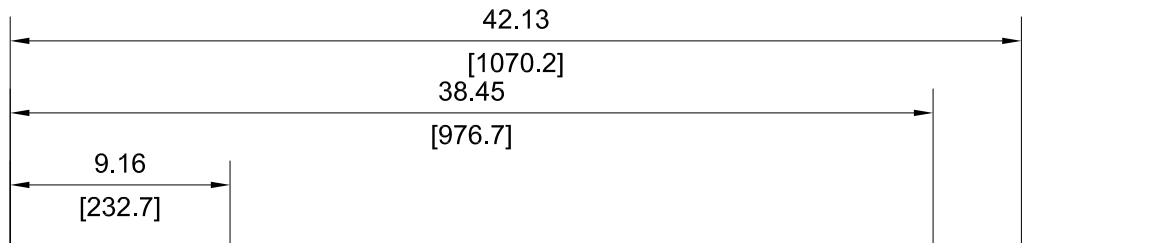
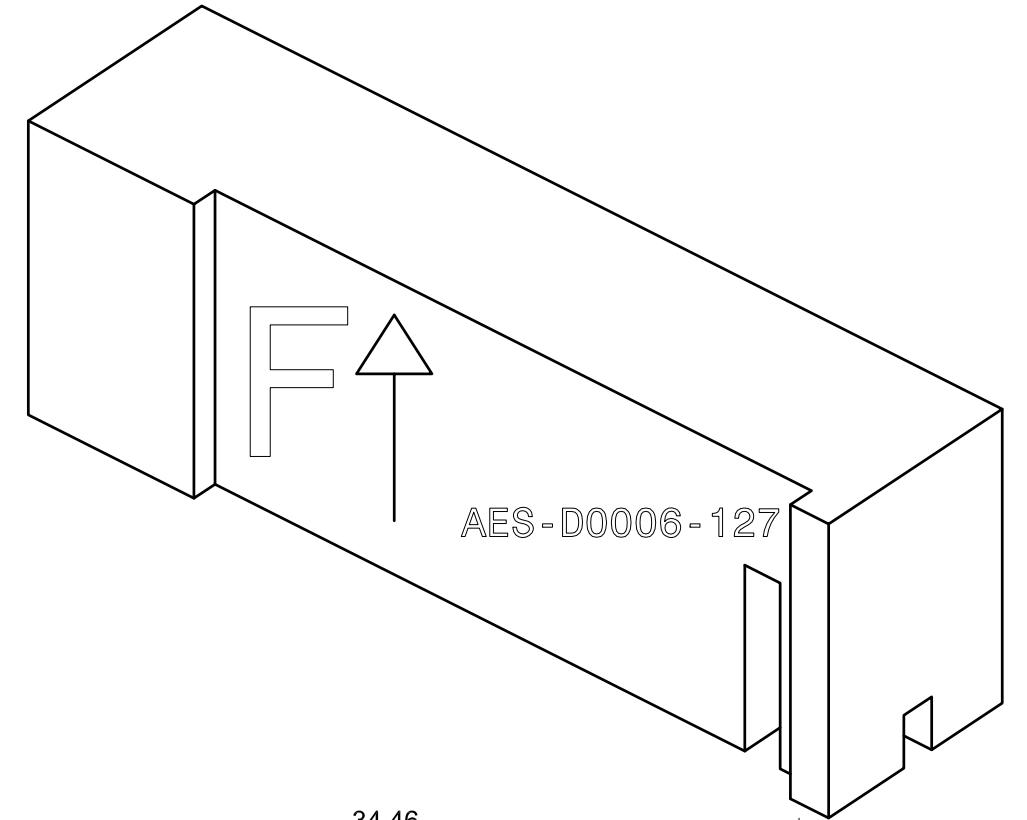


	DRAWING NUMBER				
	AES-D0006				
SIZE	SCALE	SHEET	OF	REVISION	
A3	NONE	64	166	D	

1 2 3 4 5 6 7 8

A
B
C
D
E
F

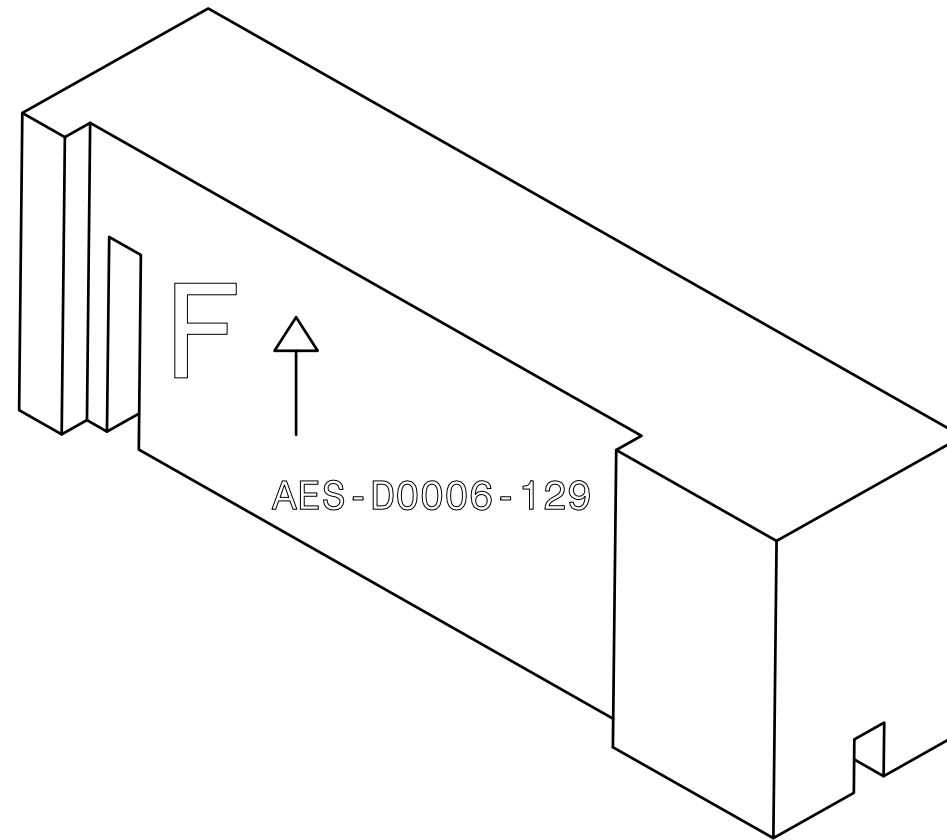
-127



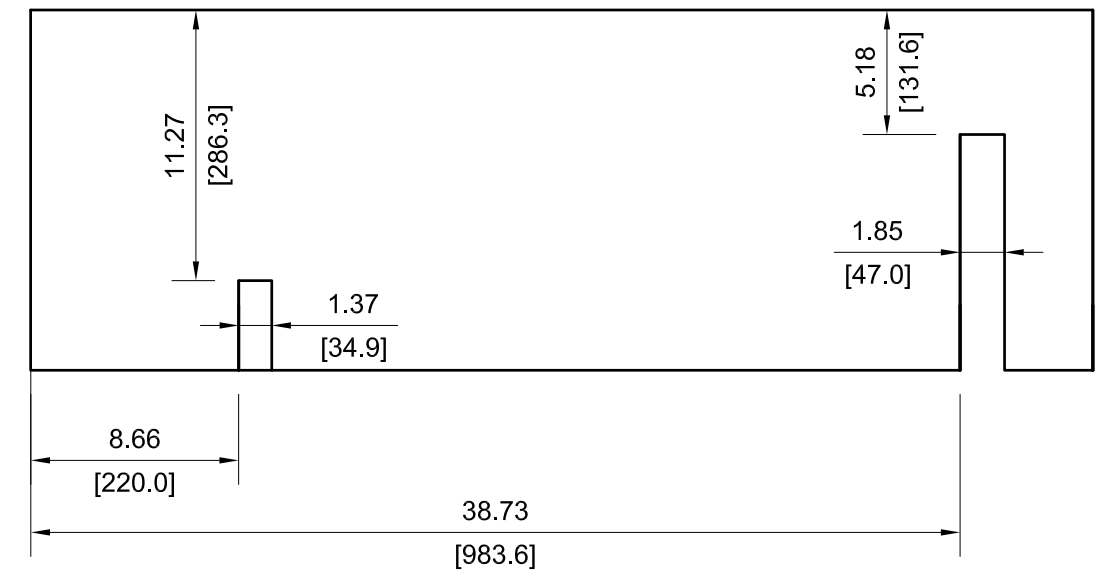
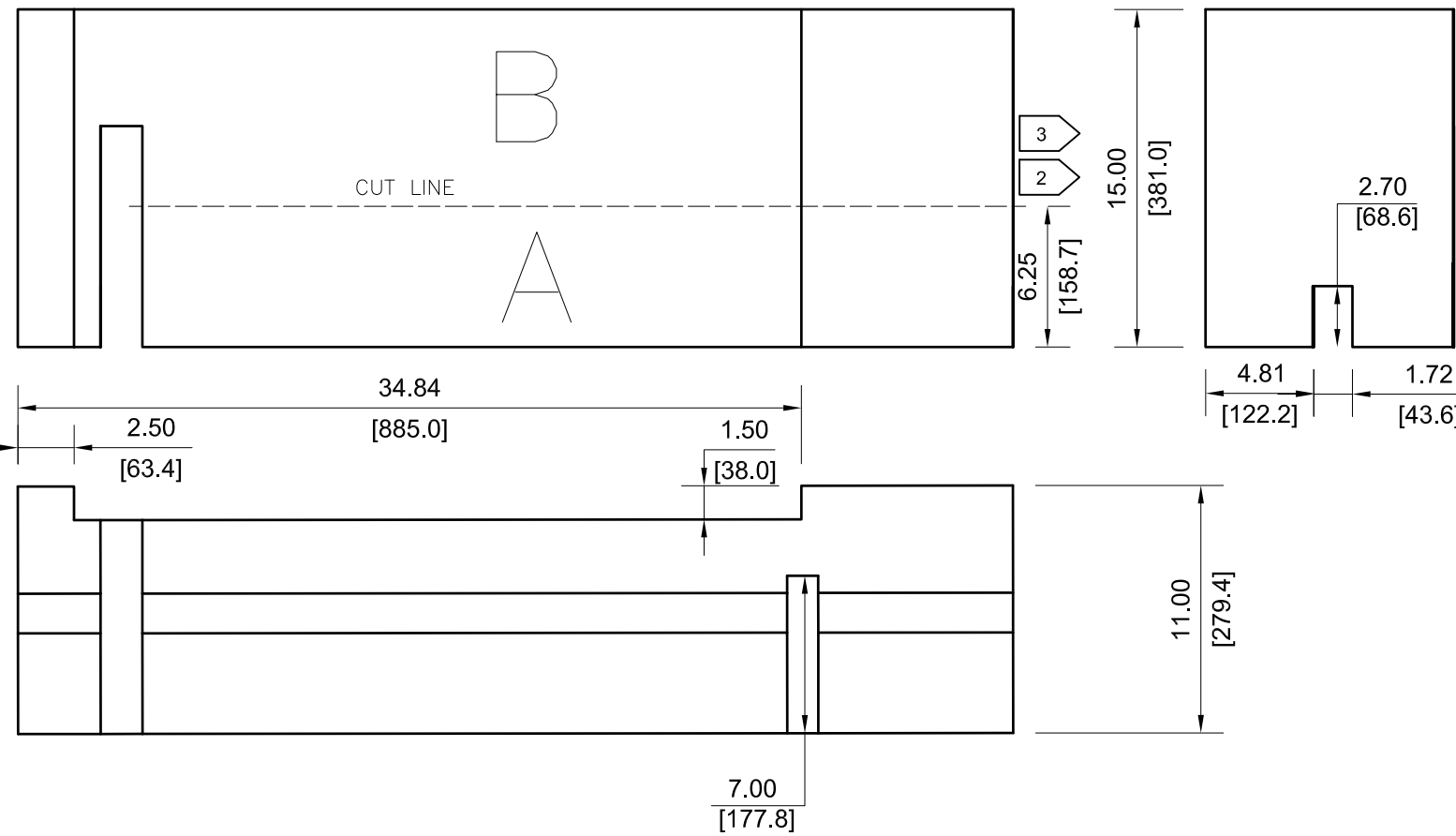
	DRAWING NUMBER				
	AES-D0006				
SIZE	SCALE	SHEET	OF	REVISION	
A3	NONE	65	166	D	

1 2 3 4 5 6 7 8

129

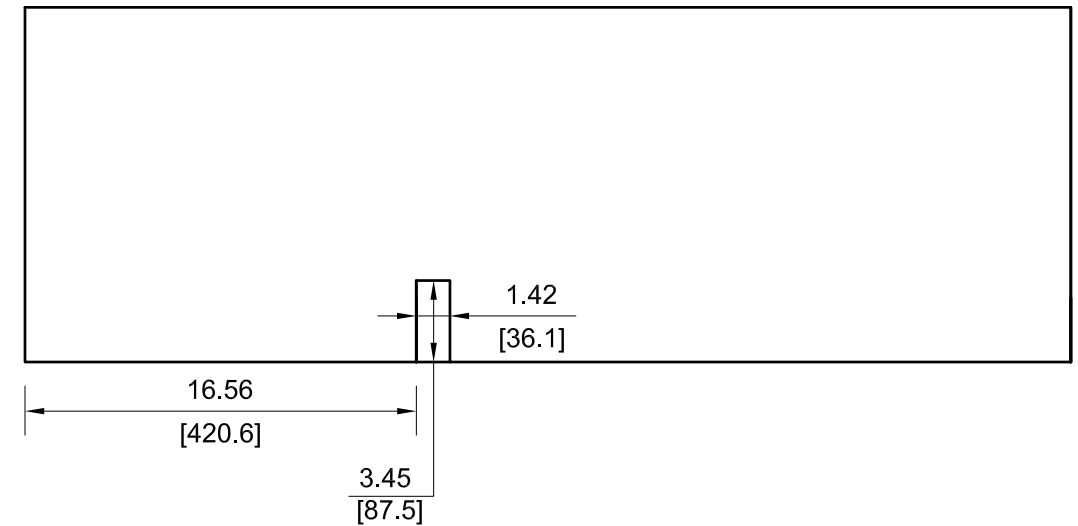
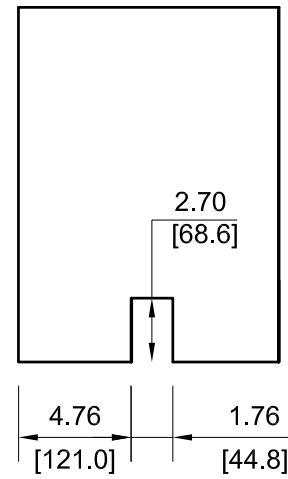
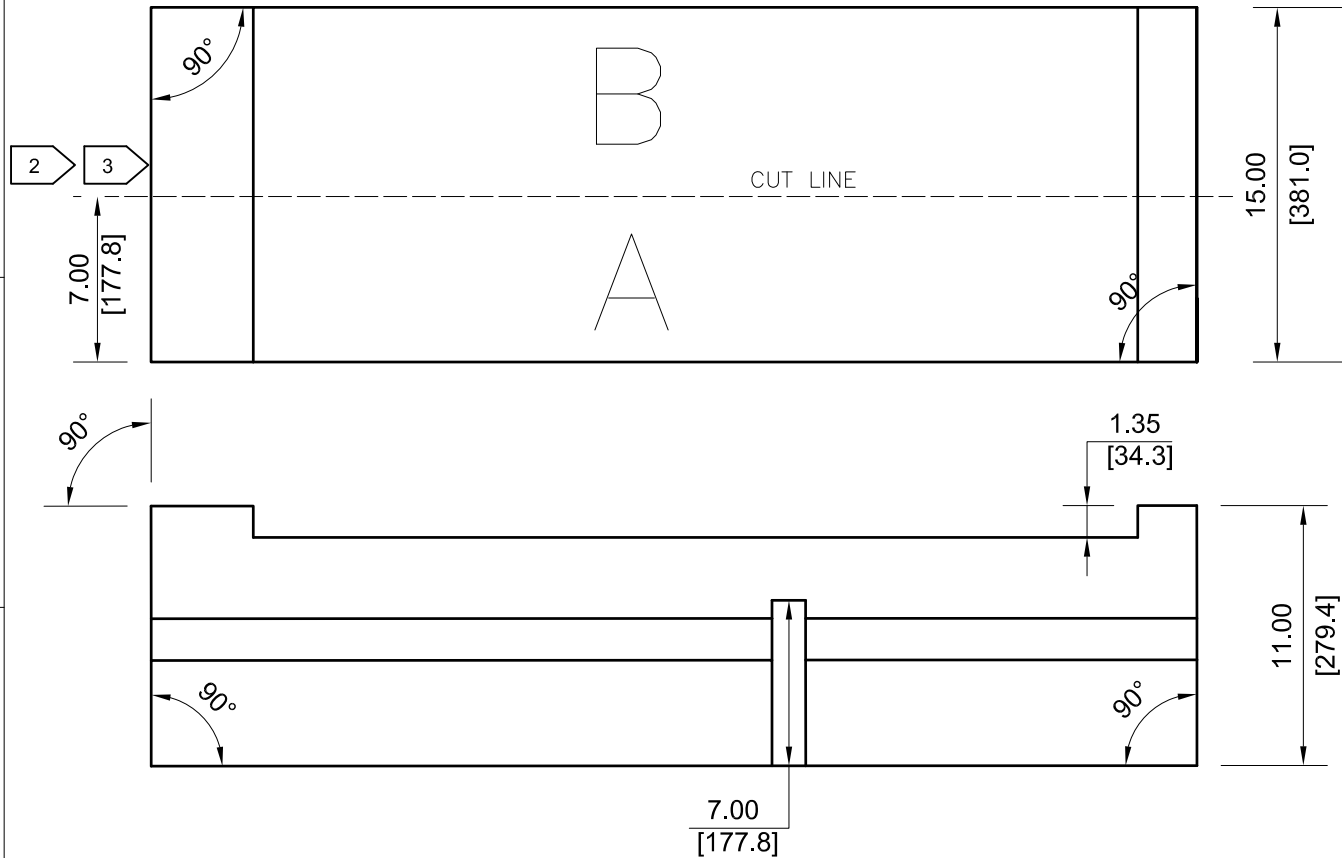
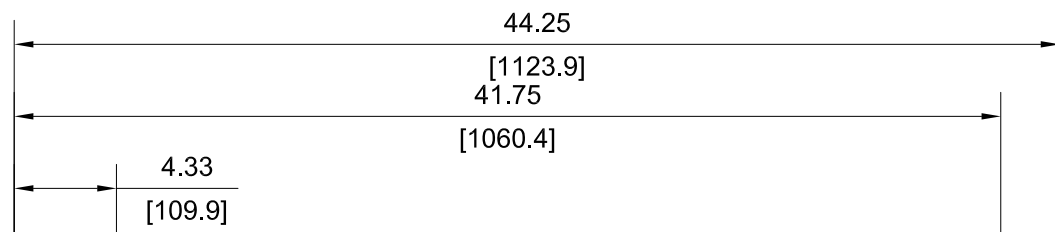
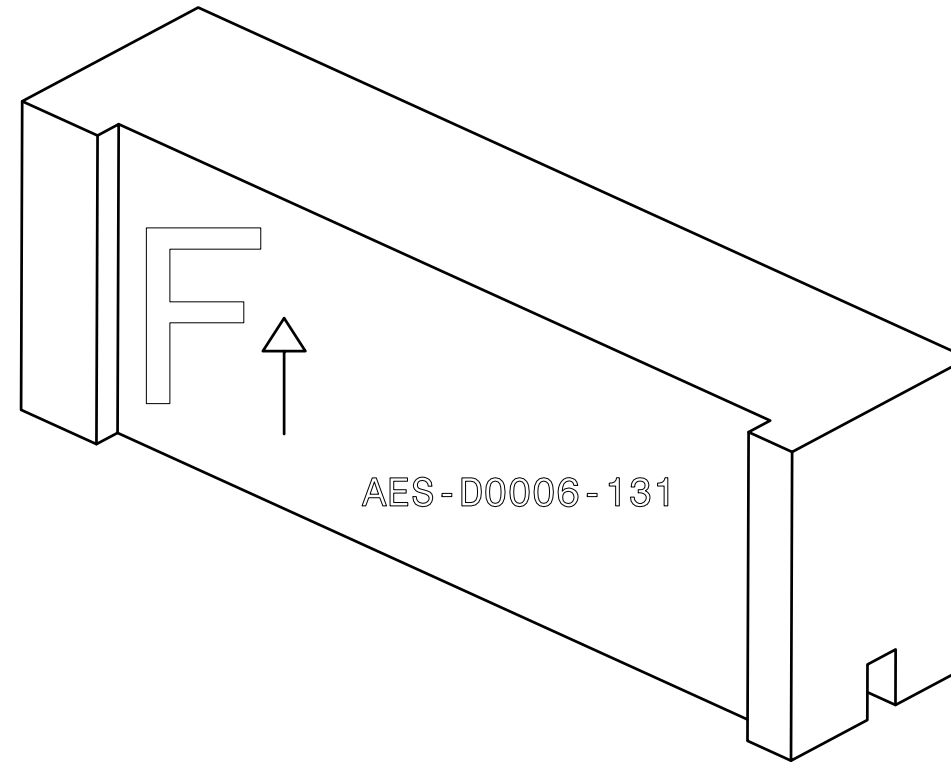


AES-D0006-129

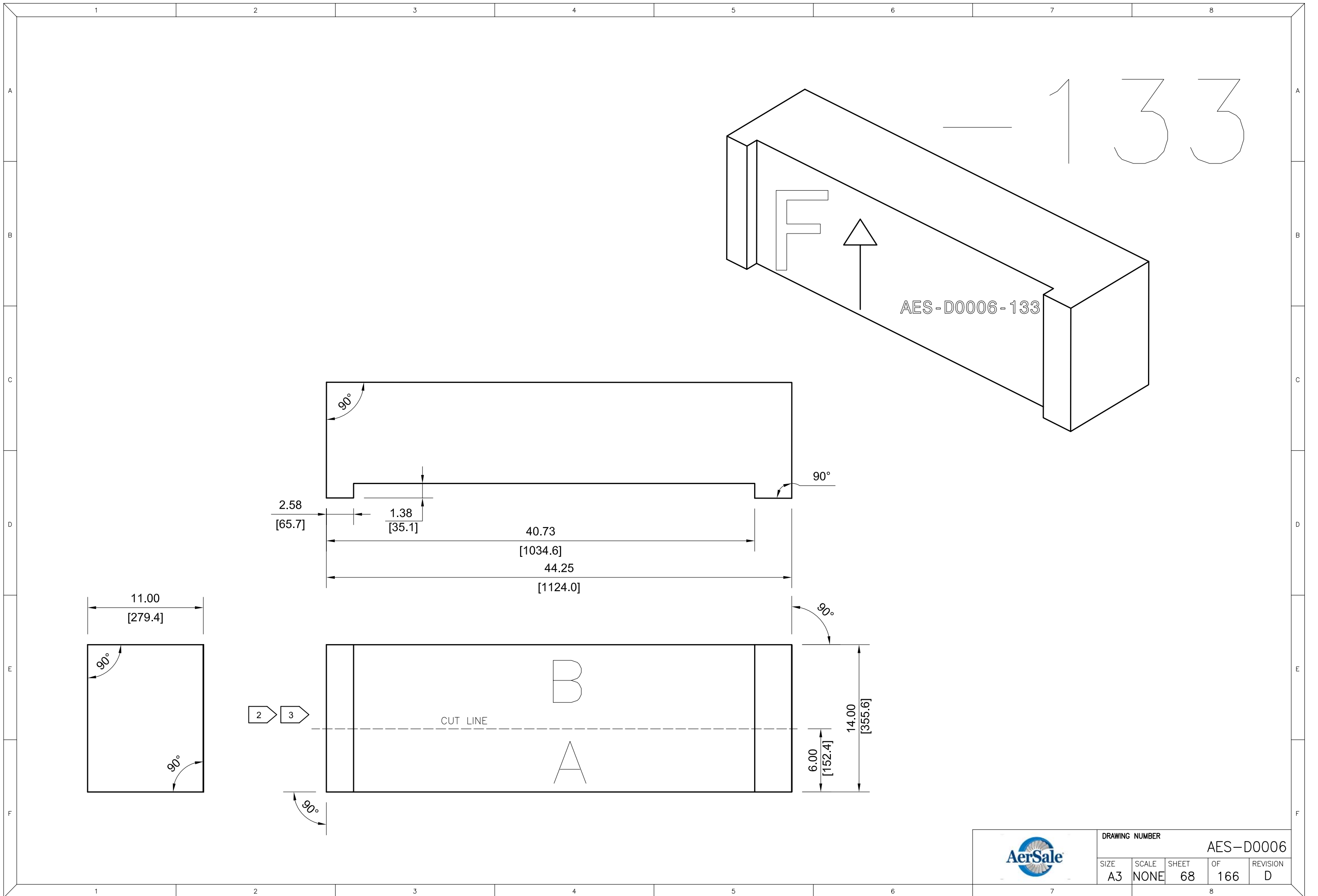



DRAWING NUMBER				
AES-D0006				
SIZE	SCALE	SHEET	OF	REVISION
A3	NONE	66	166	D

131

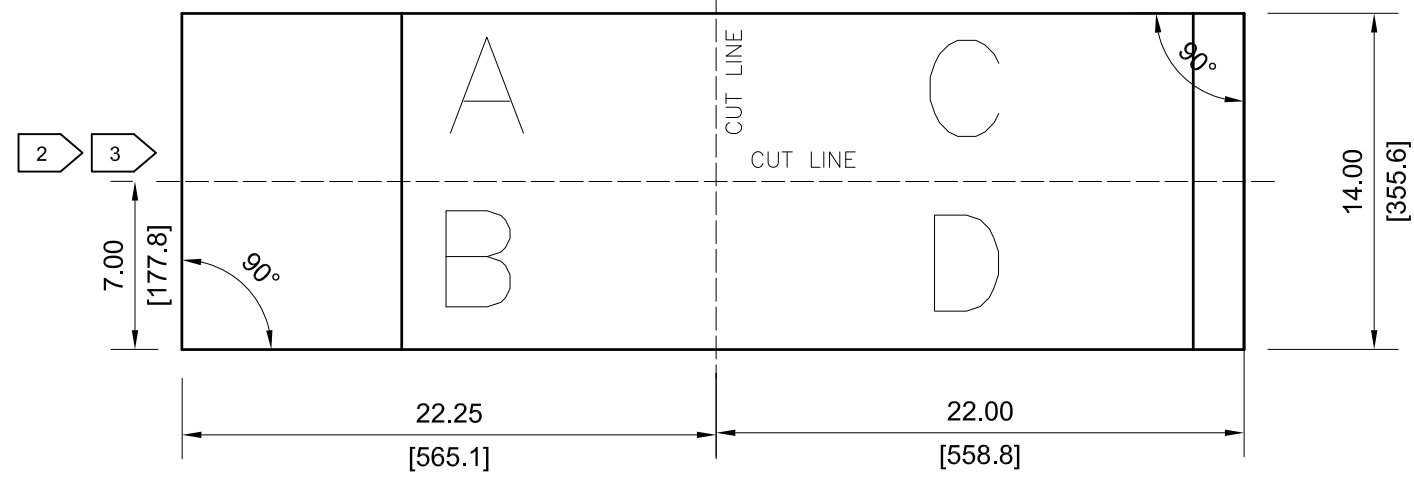
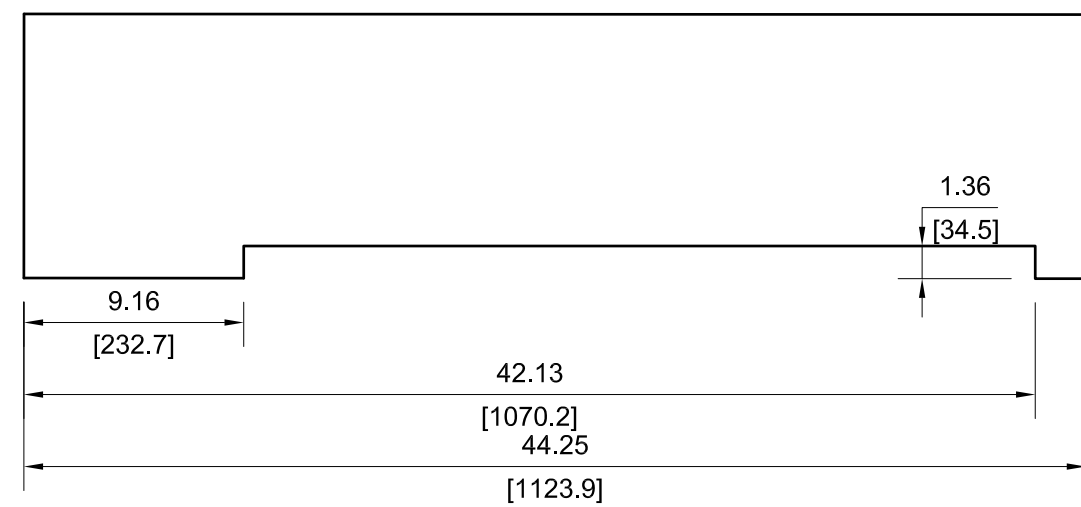
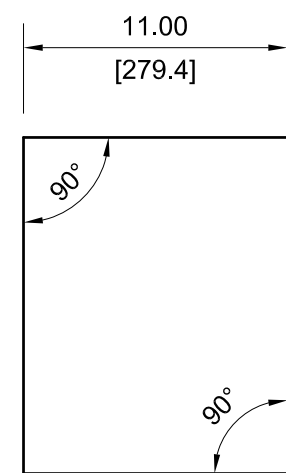
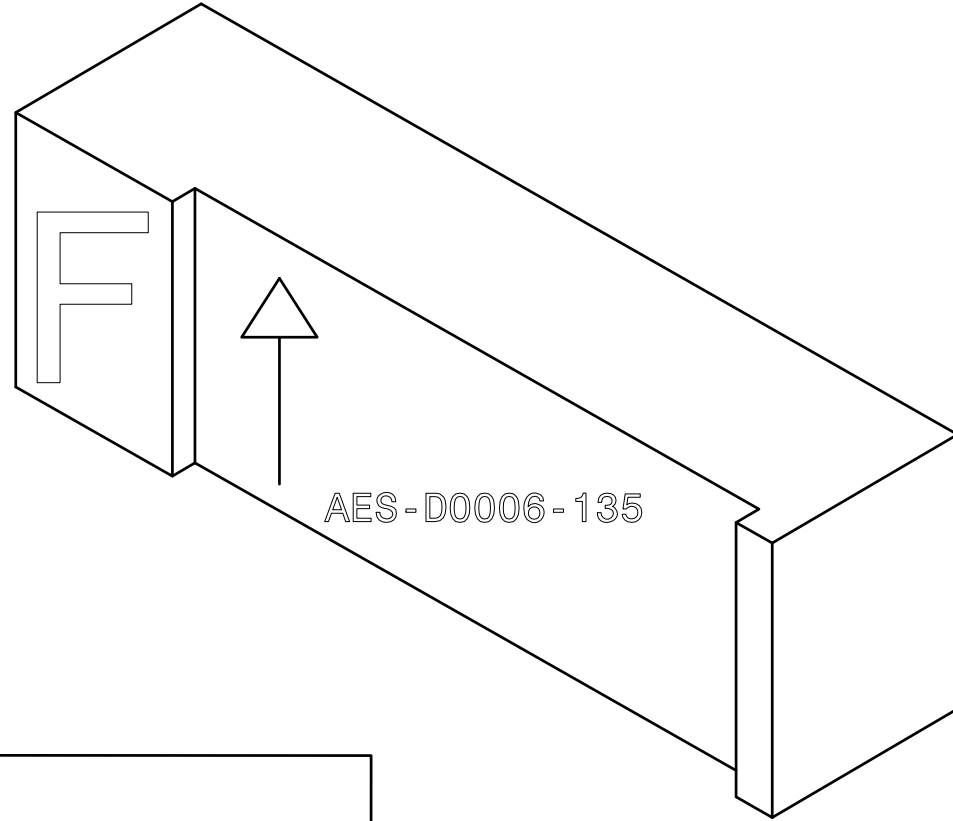



DRAWING NUMBER				
AES-D0006				
SIZE	SCALE	SHEET	OF	REVISION
A3	NONE	67	166	D

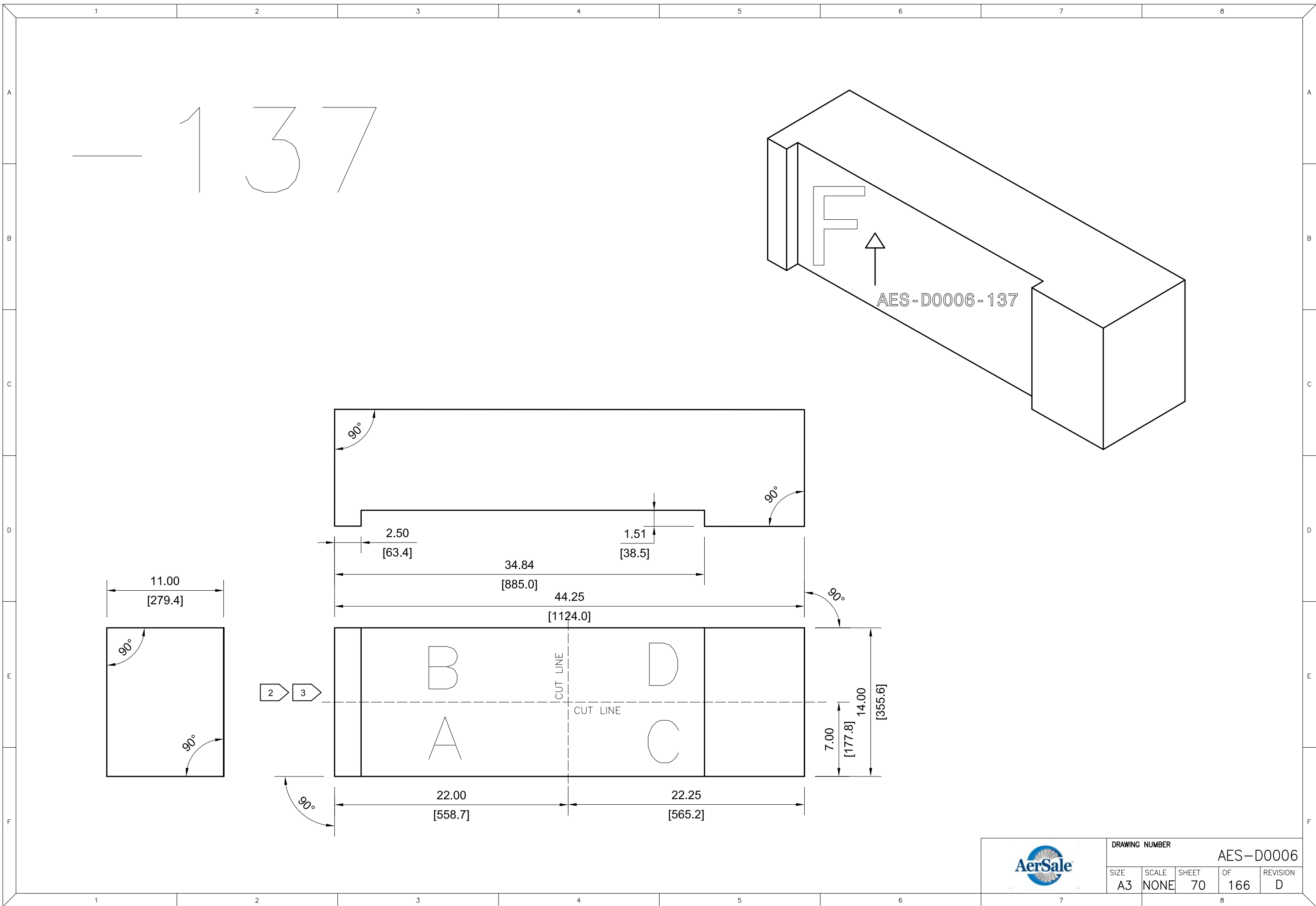



		DRAWING NUMBER			
		AES-D0006			
SIZE	SCALE	SHEET	OF	REVISION	
A3	NONE	68	166	D	

135

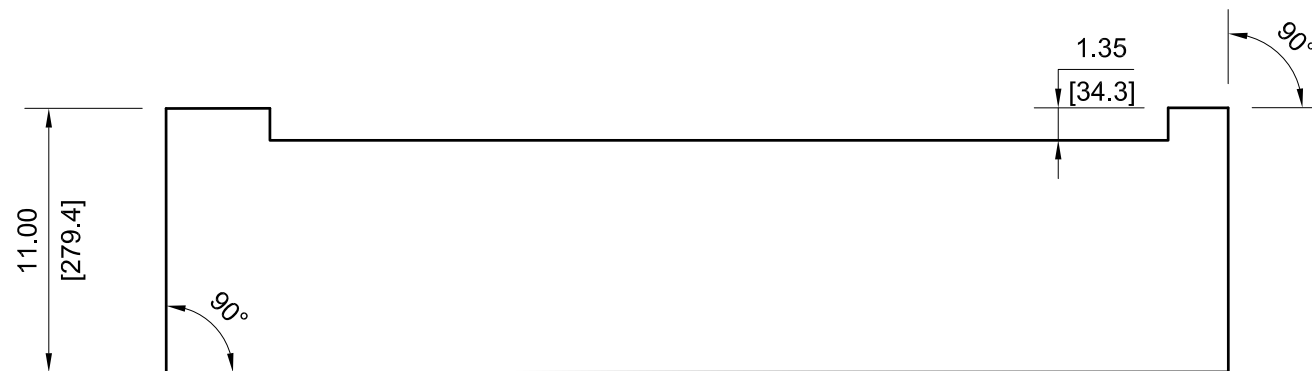
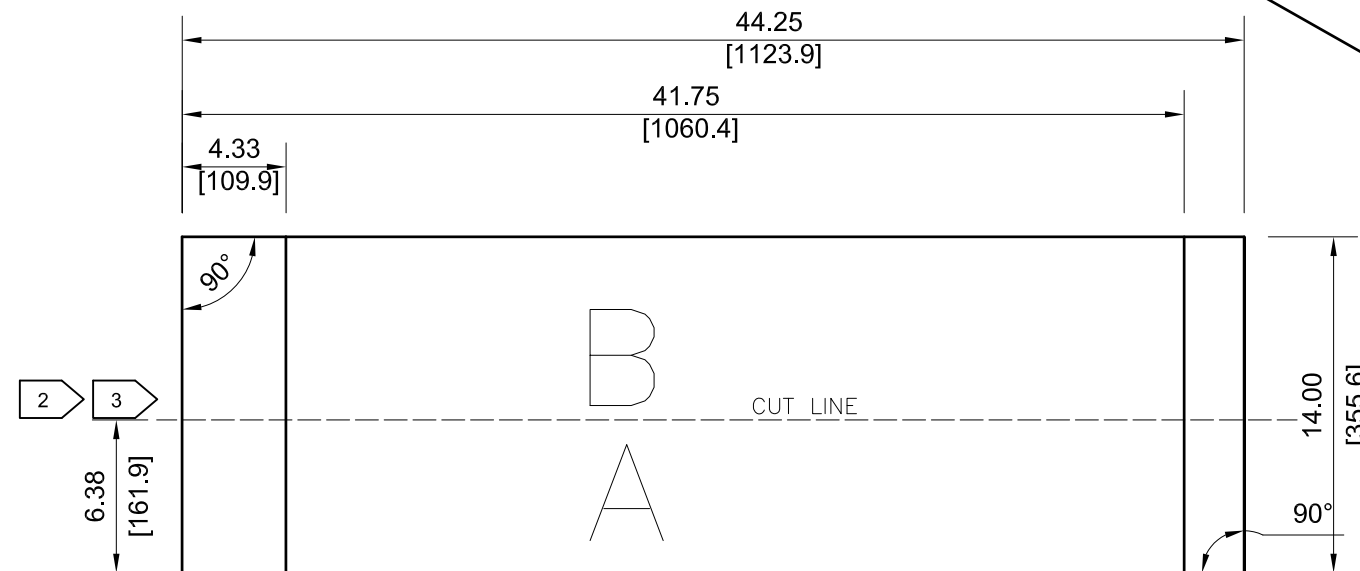
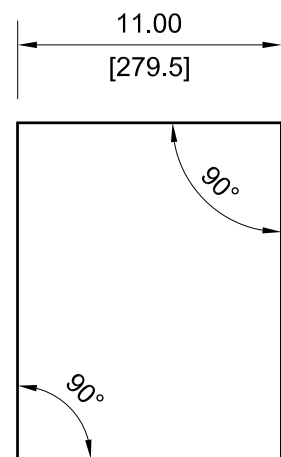
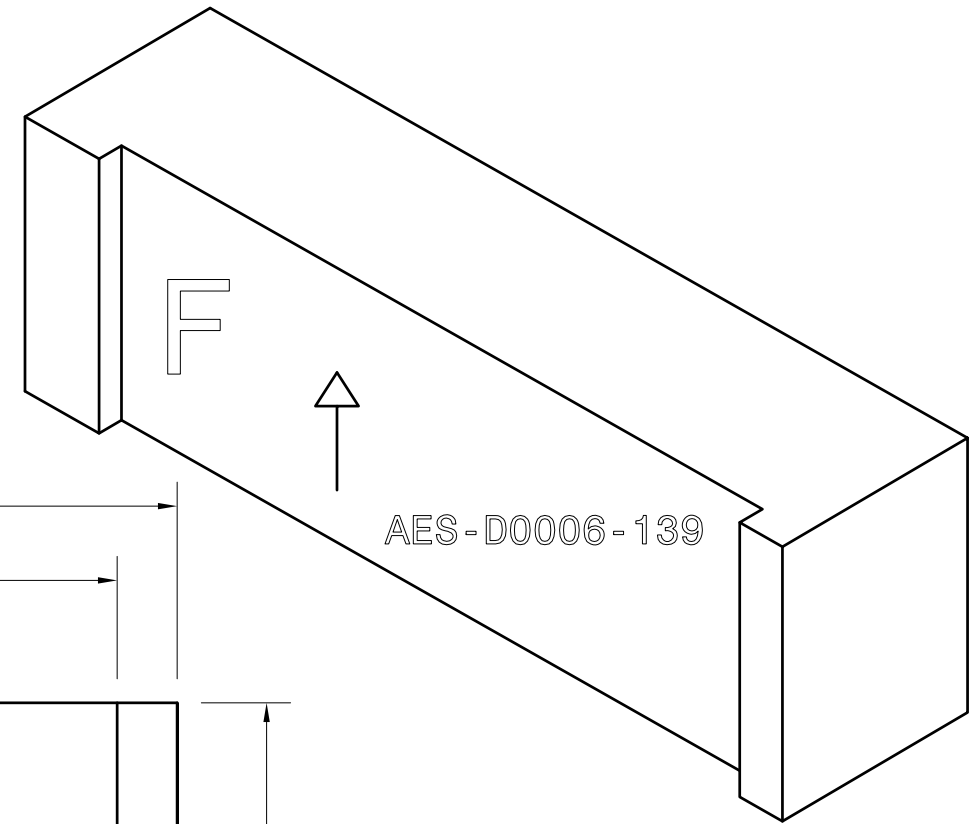


		DRAWING NUMBER			
		AES-D0006			
SIZE	SCALE	SHEET	OF	REVISION	
A3	NONE	69	166	D	



		DRAWING NUMBER			
		AES-D0006			
SIZE	SCALE	SHEET	OF	REVISION	
A3	NONE	70	166	D	

139



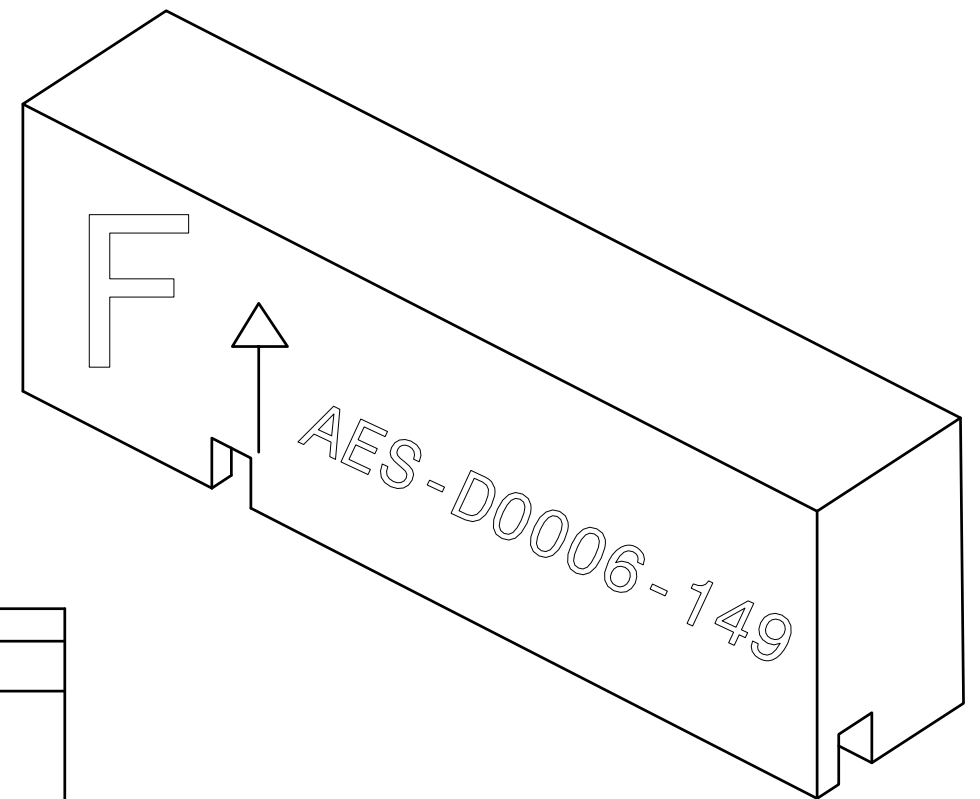
DRAWING NUMBER				
AES-D0006				
SIZE	SCALE	SHEET	OF	REVISION
A3	NONE	71	166	D

1 2 3 4 5 6 7 8

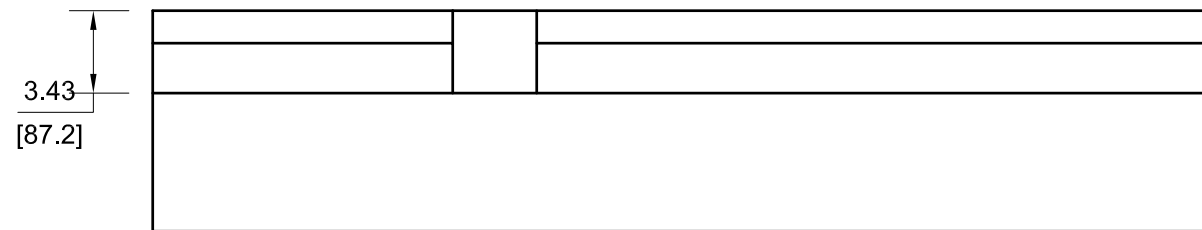
A

— 1 4 9

B

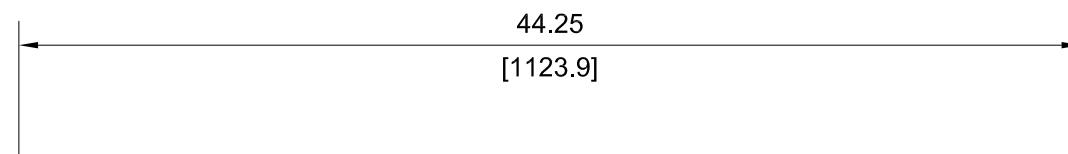
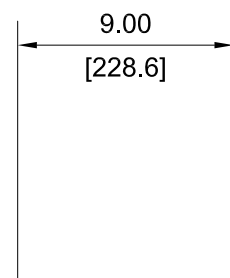


C

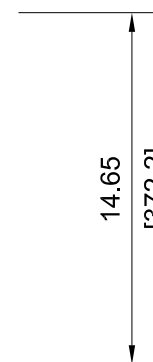
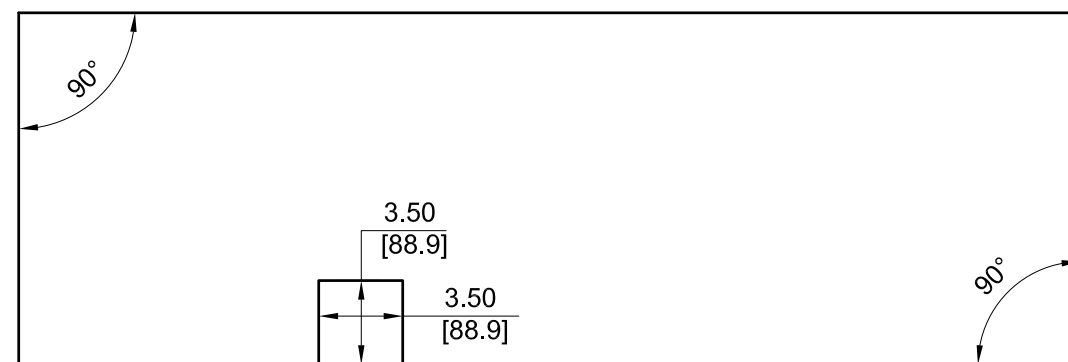
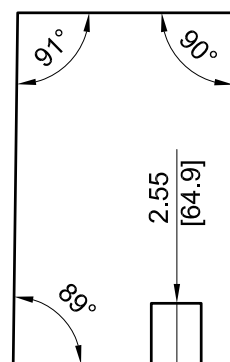


BOTTOM VIEW RELATIVE TO VIEW E4-72

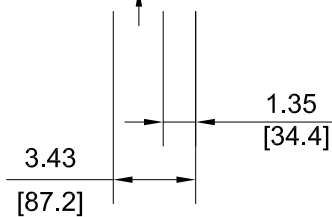
D




E



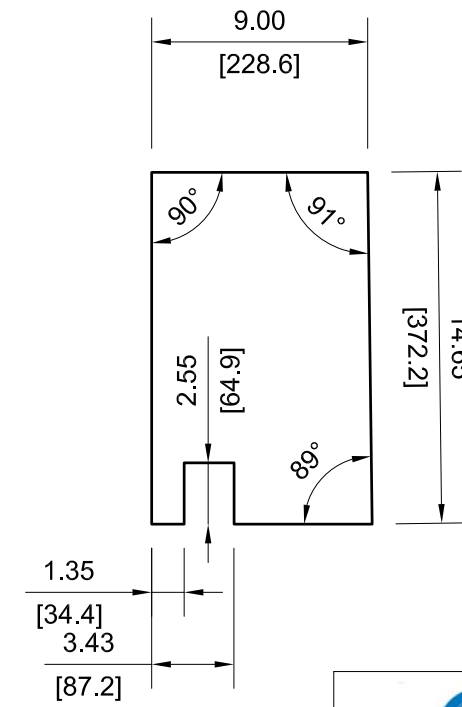
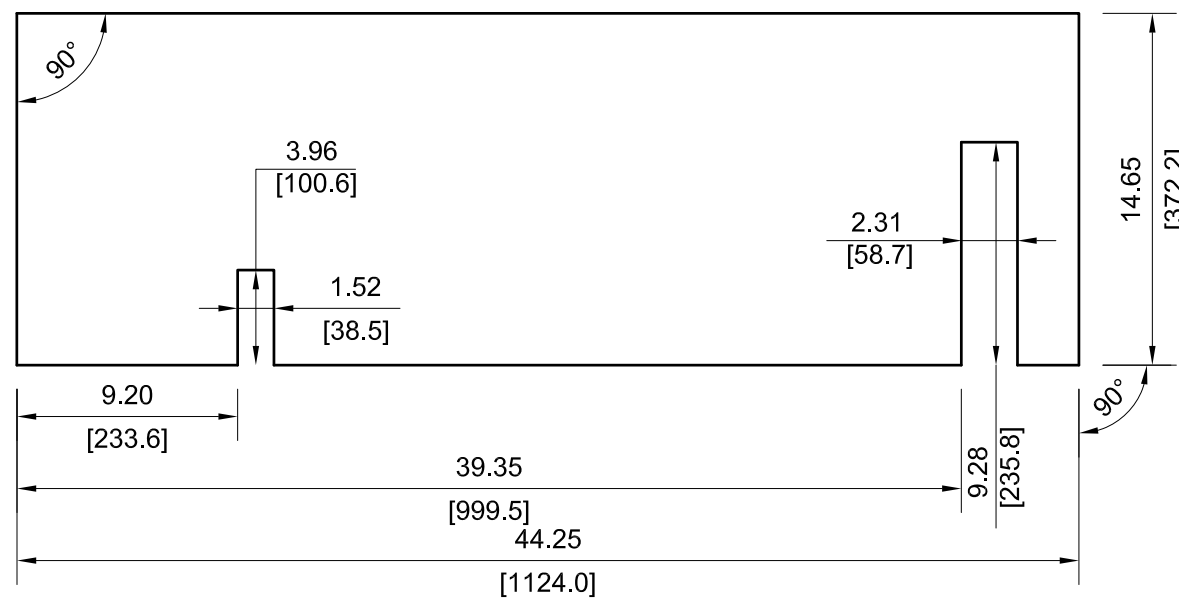
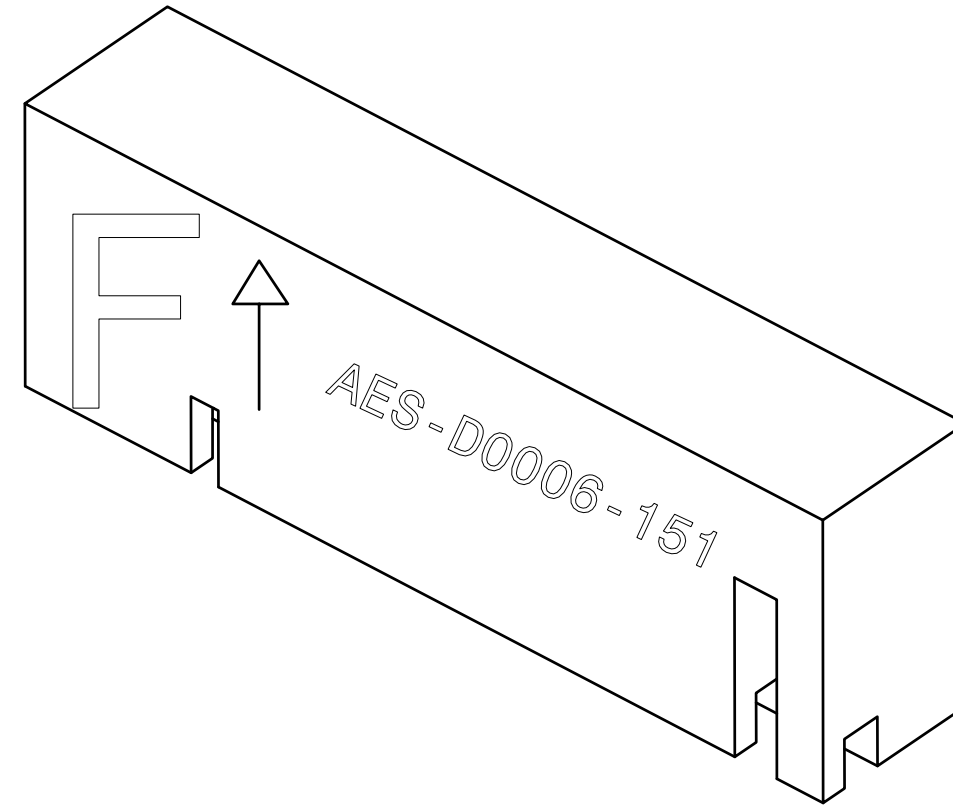
F



	DRAWING NUMBER				
	AES-D0006				
SIZE	SCALE	SHEET	OF	REVISION	
A3	NONE	72	166	D	

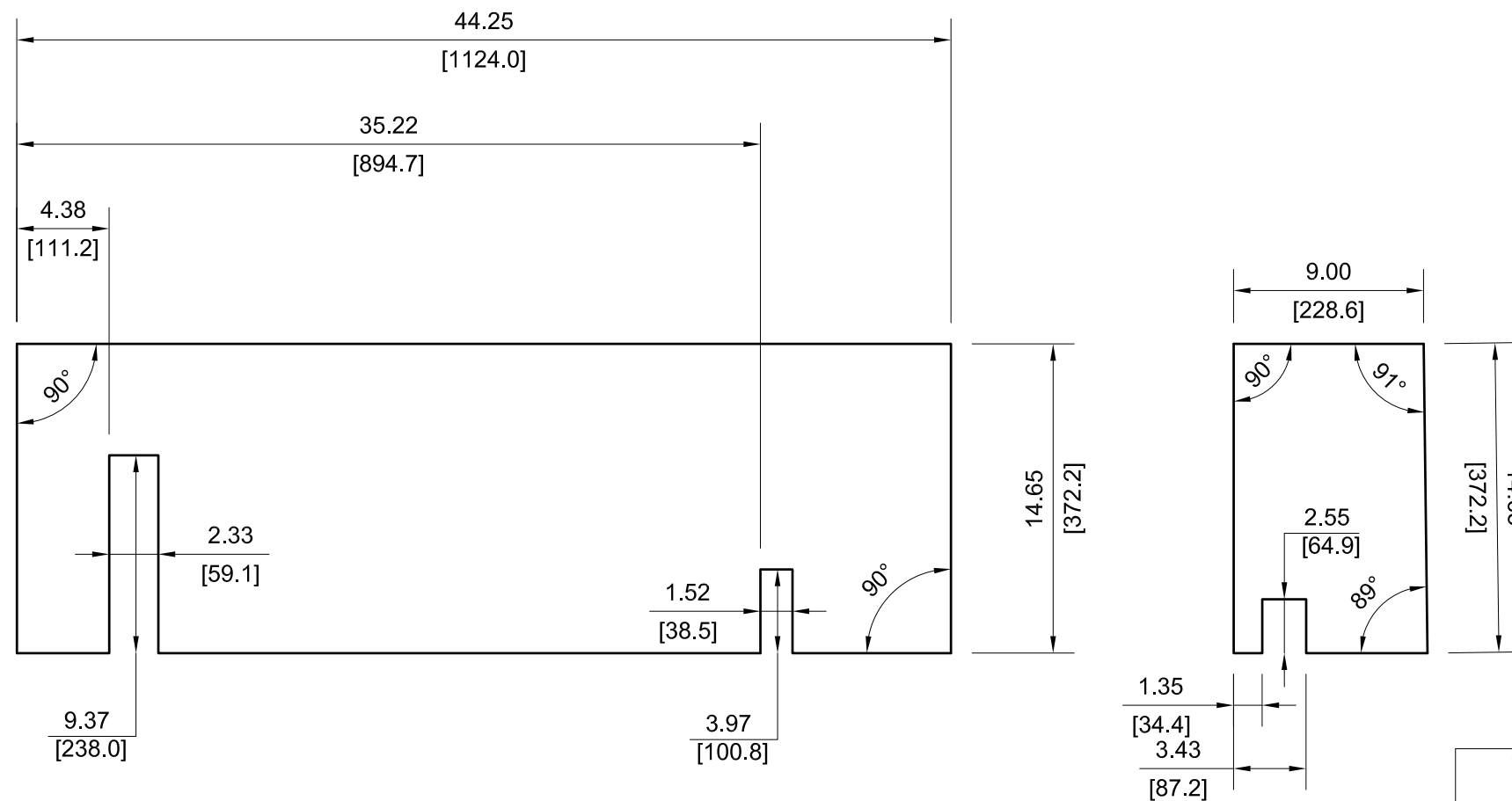
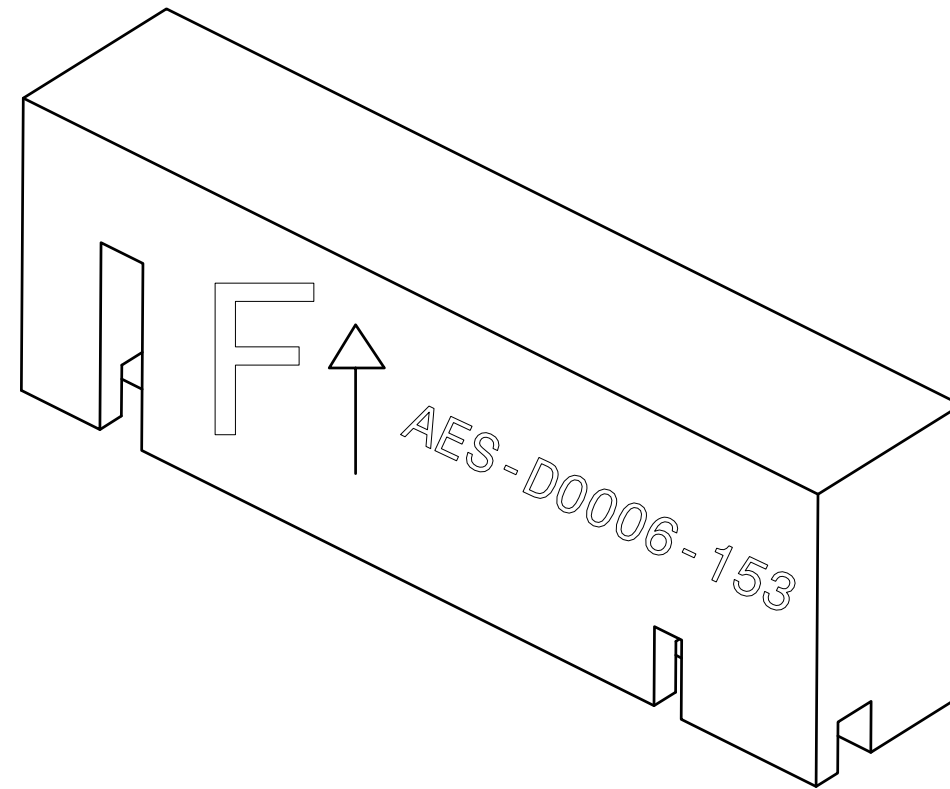
1 2 3 4 5 6 7 8

— 151



DRAWING NUMBER					AES-D0006				
SIZE	SCALE	SHEET	OF	REVISION					
A3	NONE	73	166	D					

— 153



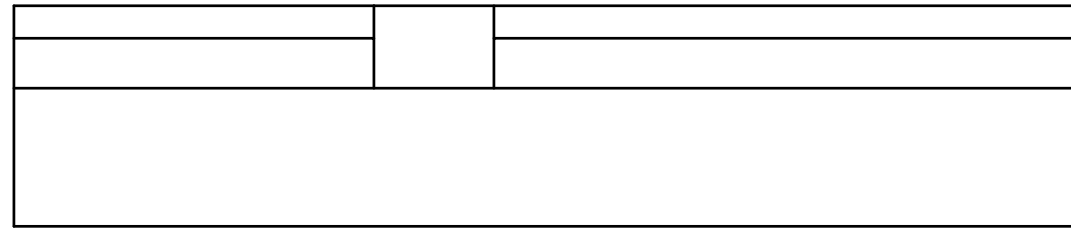
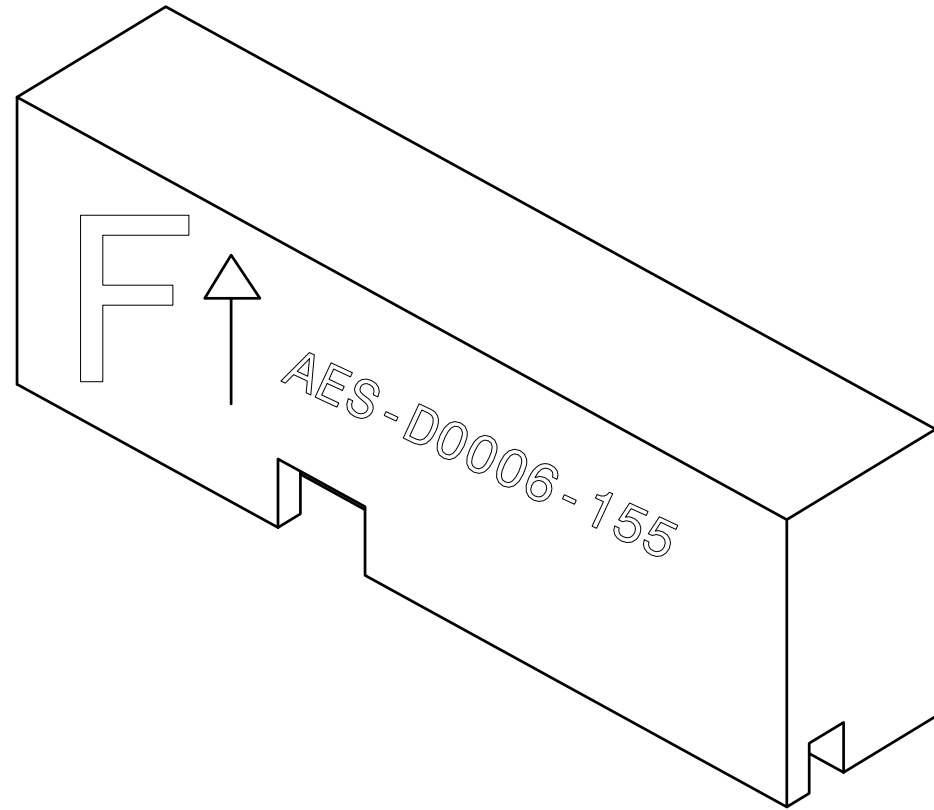
DRAWING NUMBER					AES-D0006				
SIZE	SCALE	SHEET	OF	REVISION					
A3	NONE	74	166	D					

1 2 3 4 5 6 7 8

A

A

155



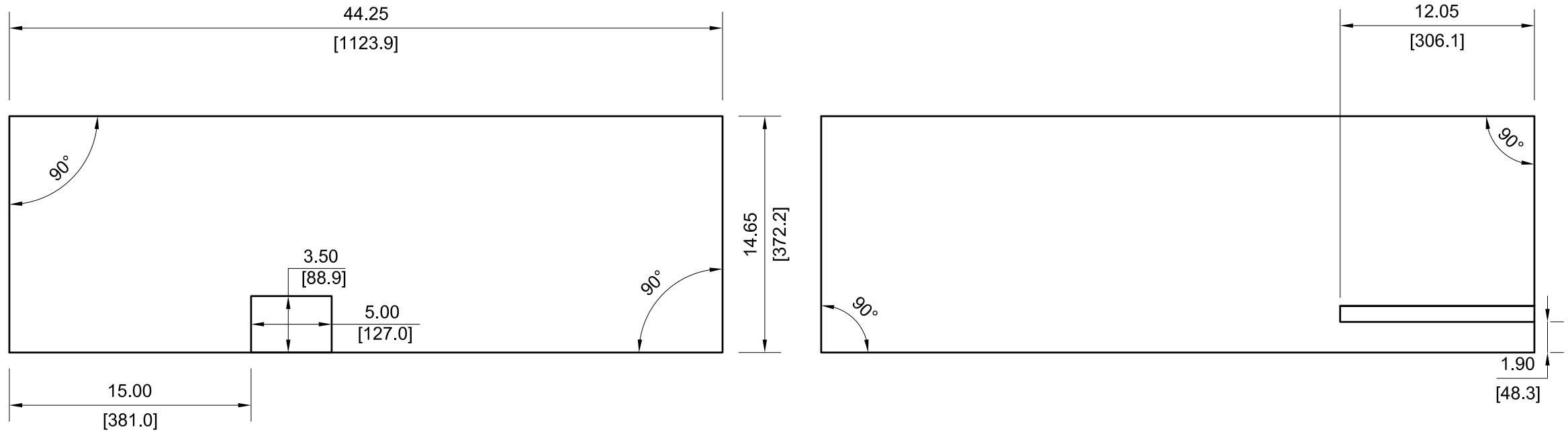
BOTTOM VIEW RELATIVE TO VIEW E4-75

B

B

D

D



E

E

F

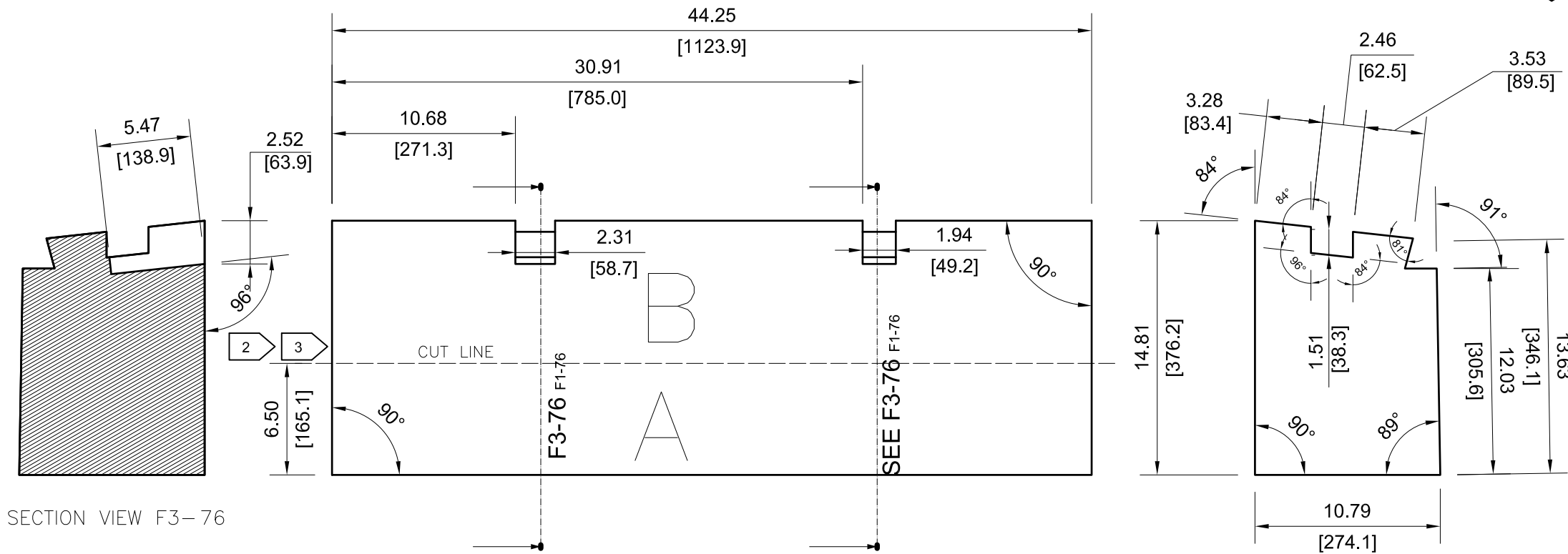
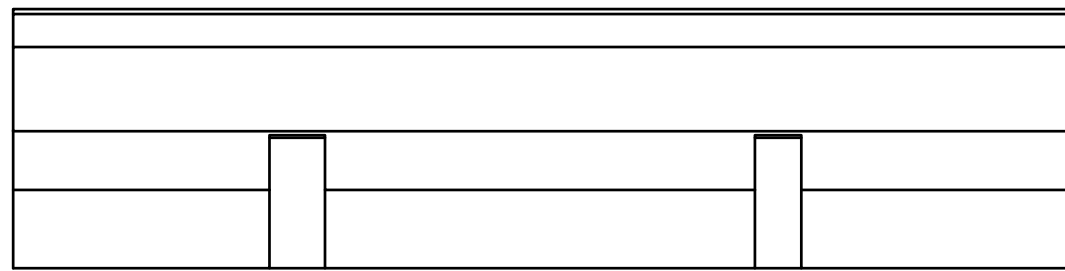
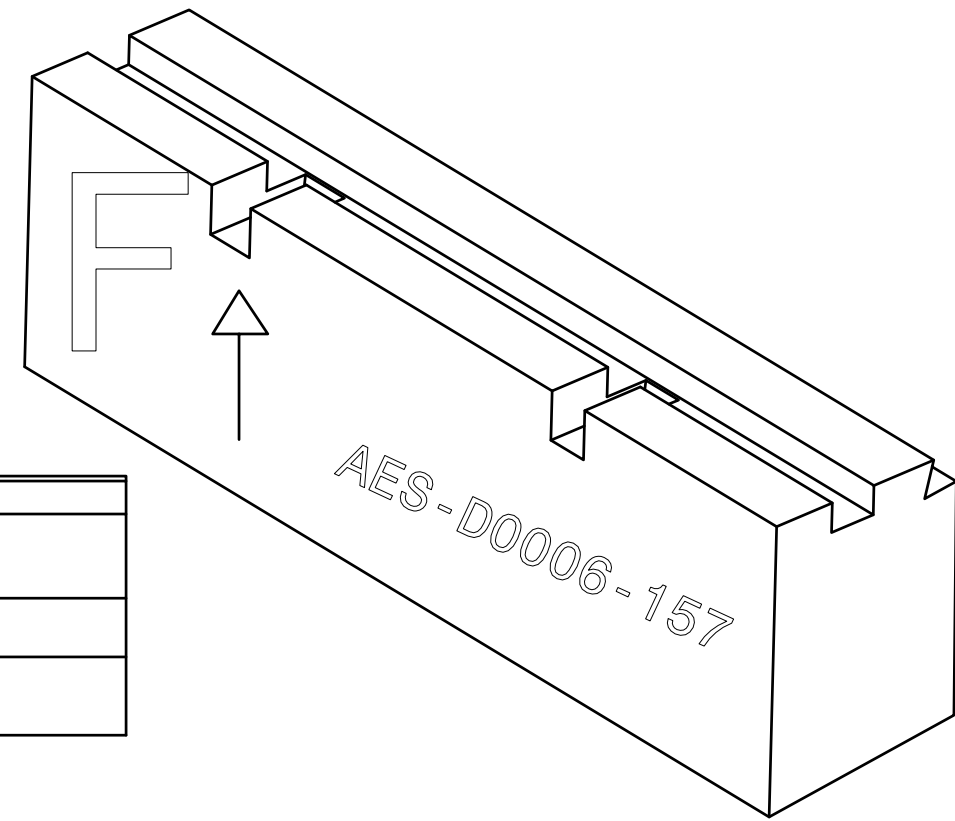
F

1 2 3 4 5 6 7 8



DRAWING NUMBER				
AES-D0006				
SIZE	SCALE	SHEET	OF	REVISION
A3	NONE	75	166	D

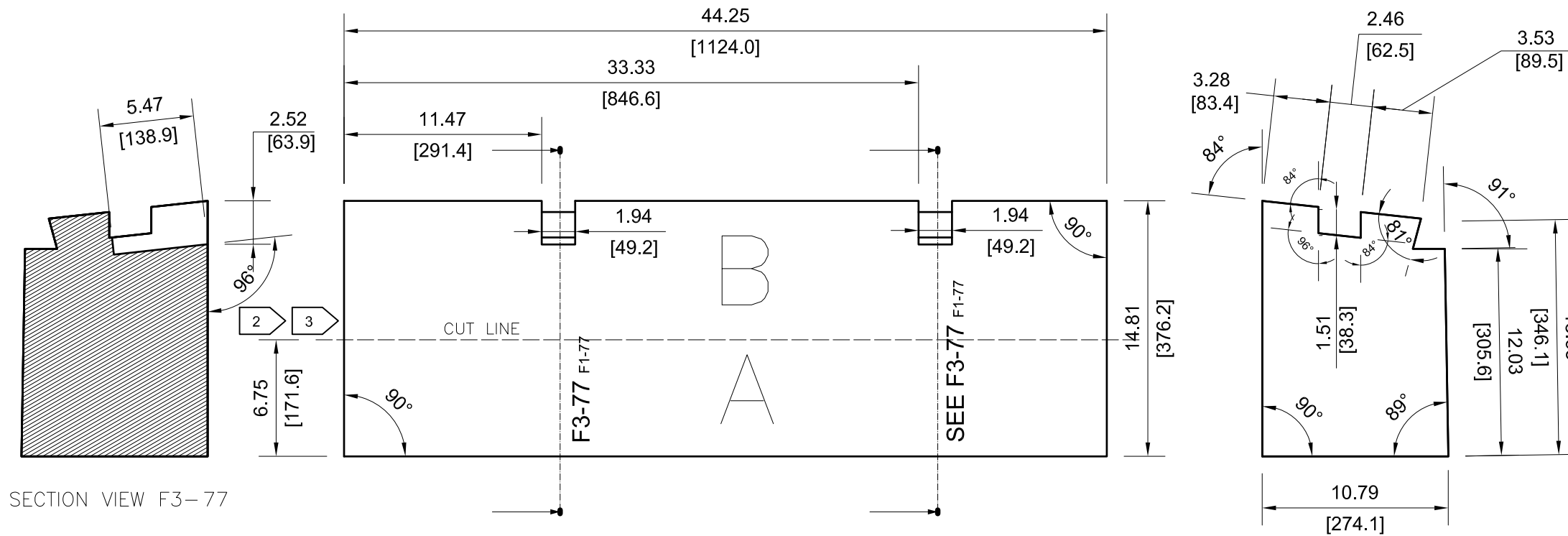
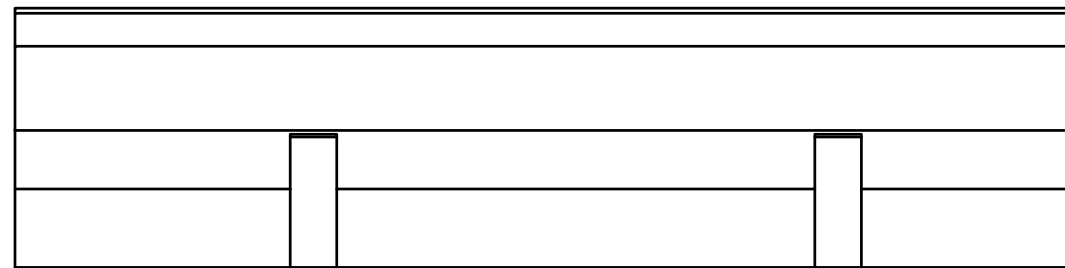
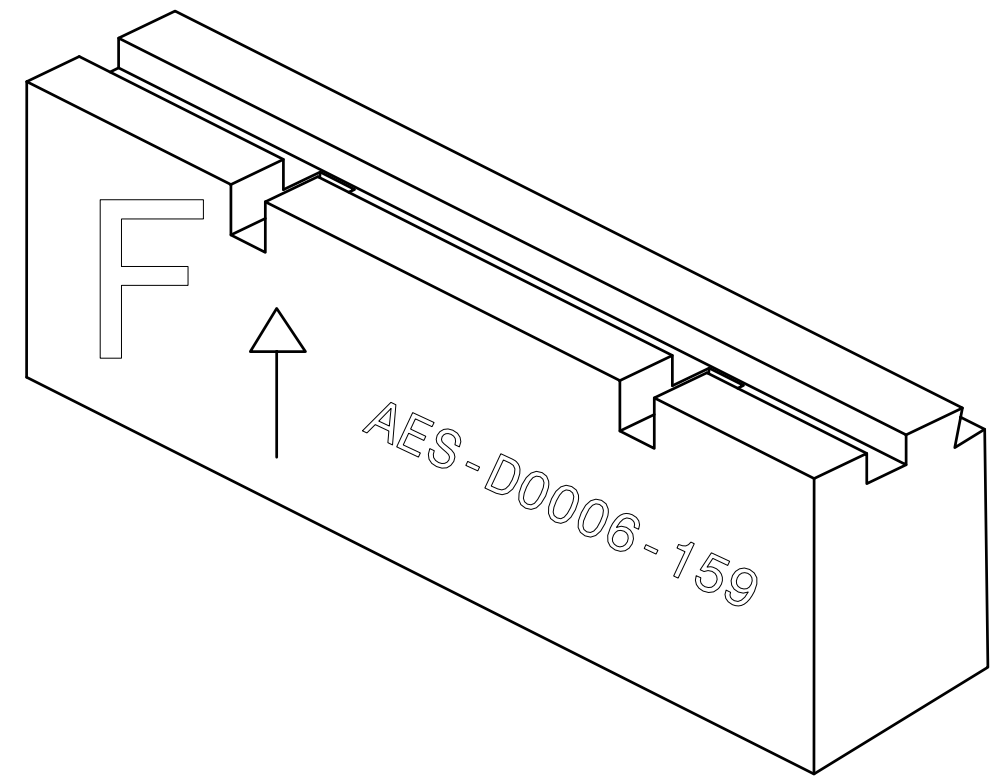
157



SECTION VIEW F3-76

		DRAWING NUMBER			
		AES-D0006			
SIZE	SCALE	SHEET	OF	REVISION	
A3	NONE	76	166	D	

159

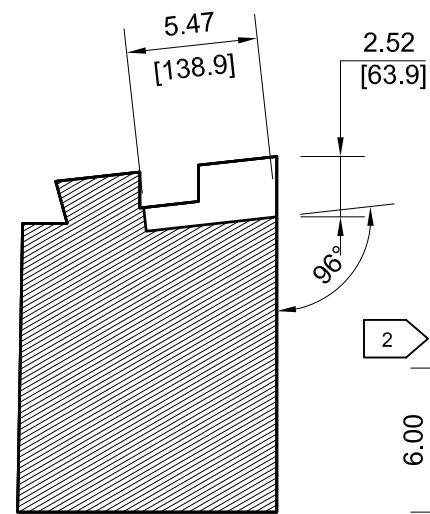
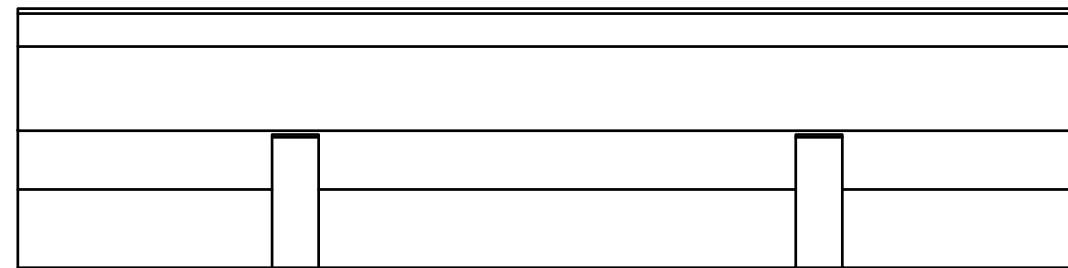
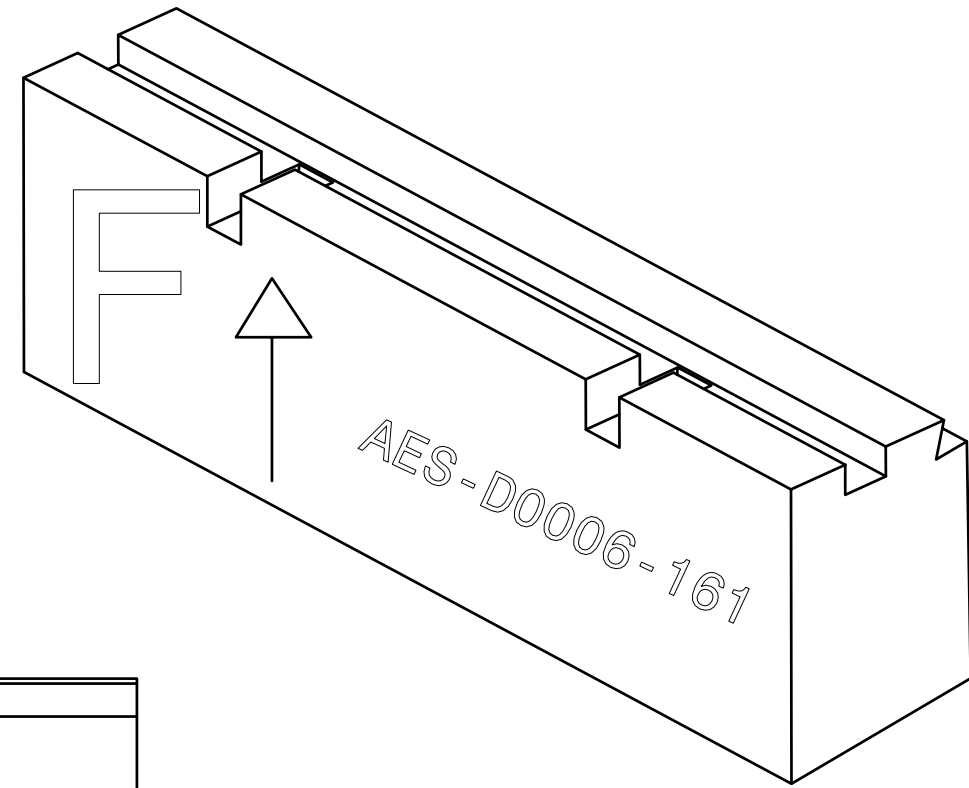


SECTION VIEW F3-77

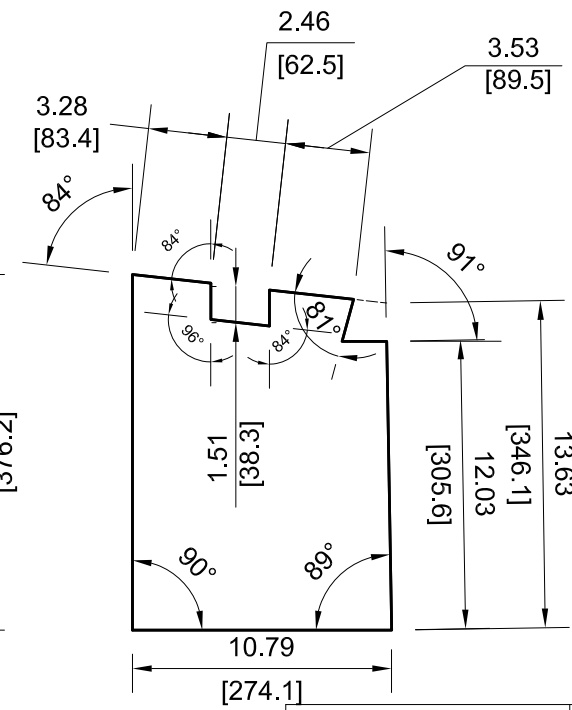
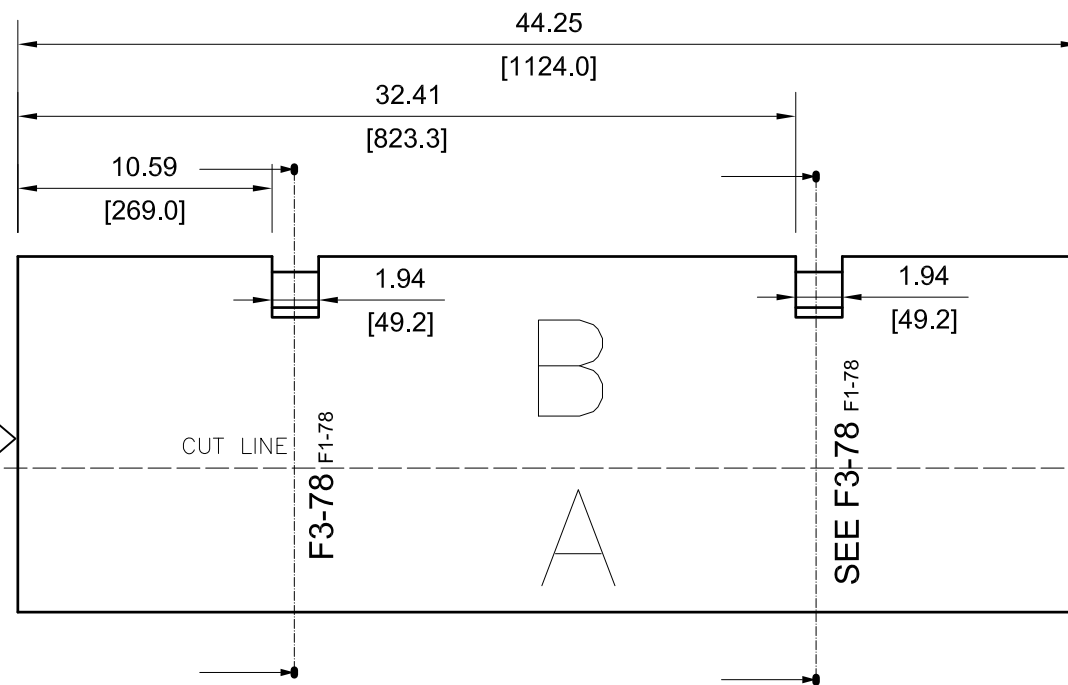


DRAWING NUMBER				
AES-D0006				
SIZE	SCALE	SHEET	OF	REVISION
A3	NONE	77	166	D

161

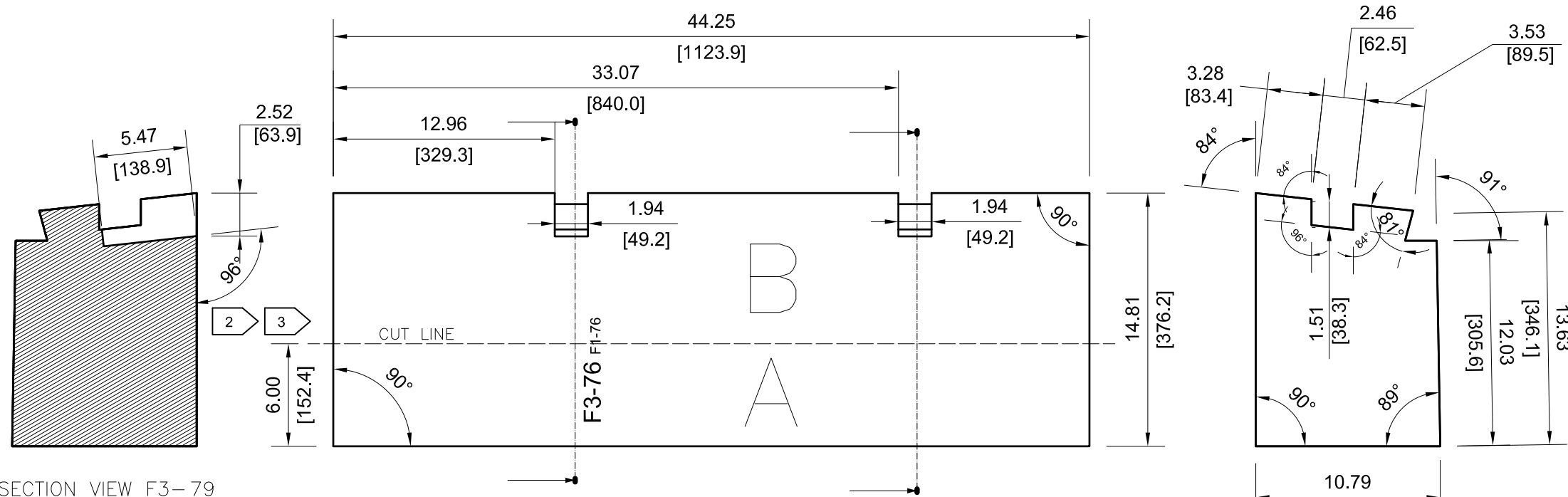
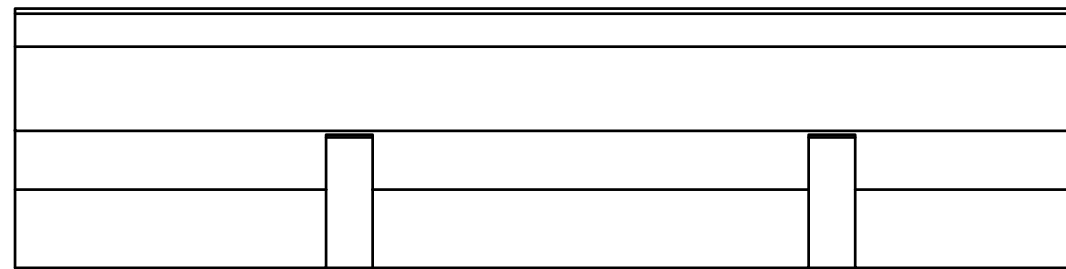
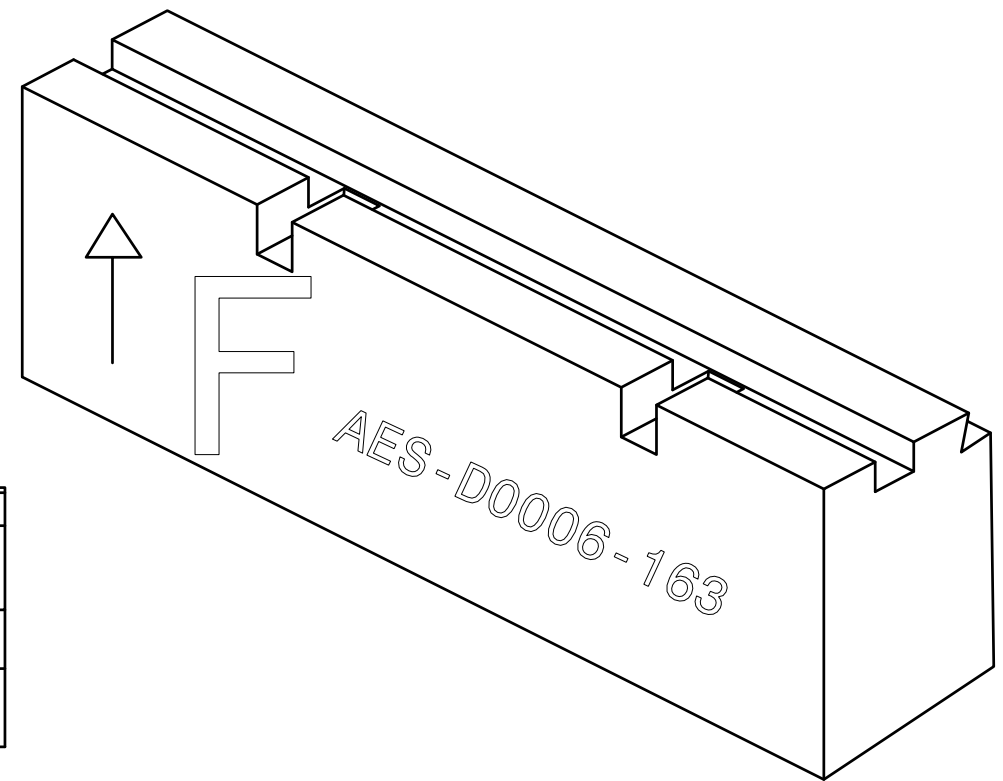


SECTION VIEW F3-78



DRAWING NUMBER				
AES-D0006				
SIZE	SCALE	SHEET	OF	REVISION
A3	NONE	78	166	D

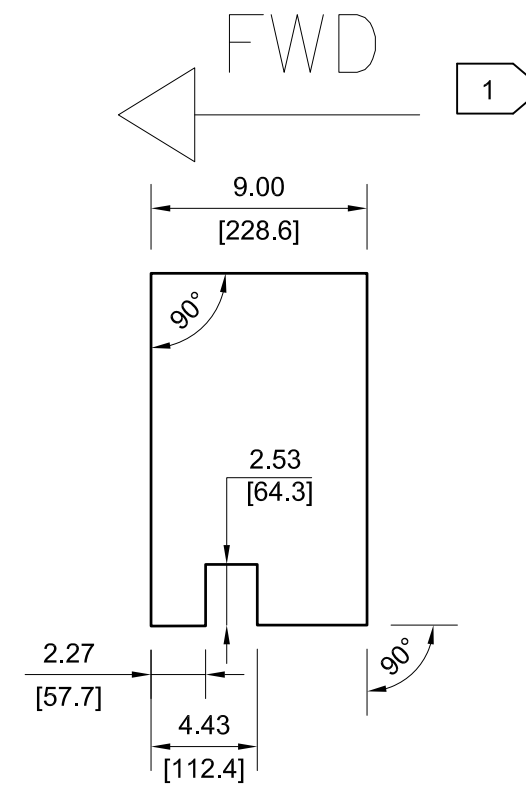
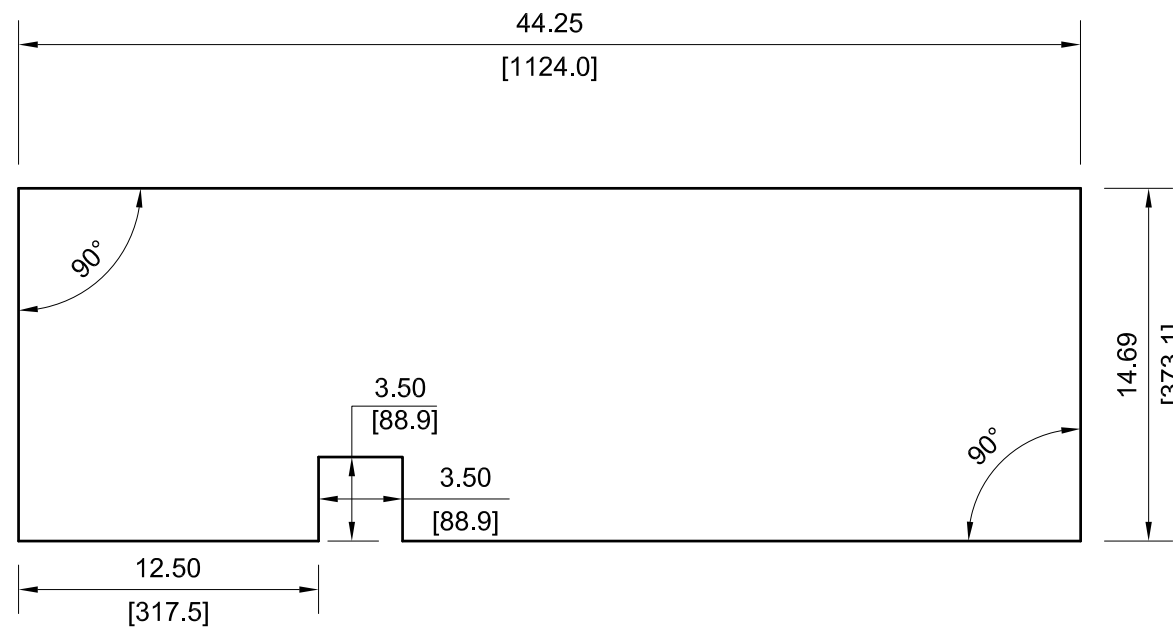
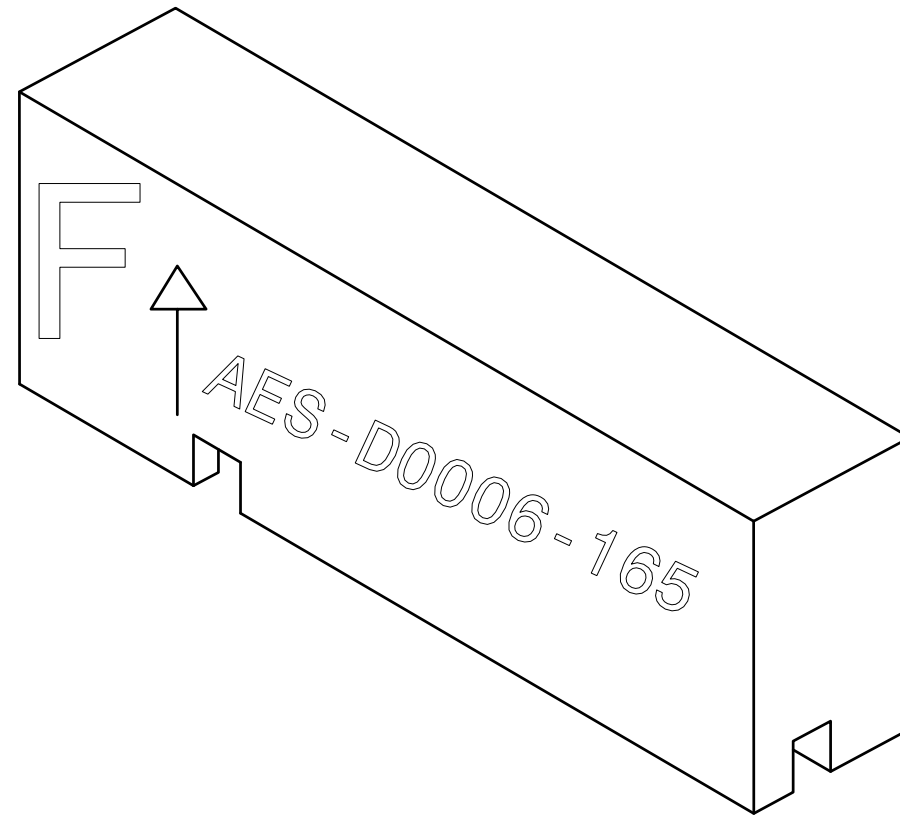
163




SECTION VIEW F3-79

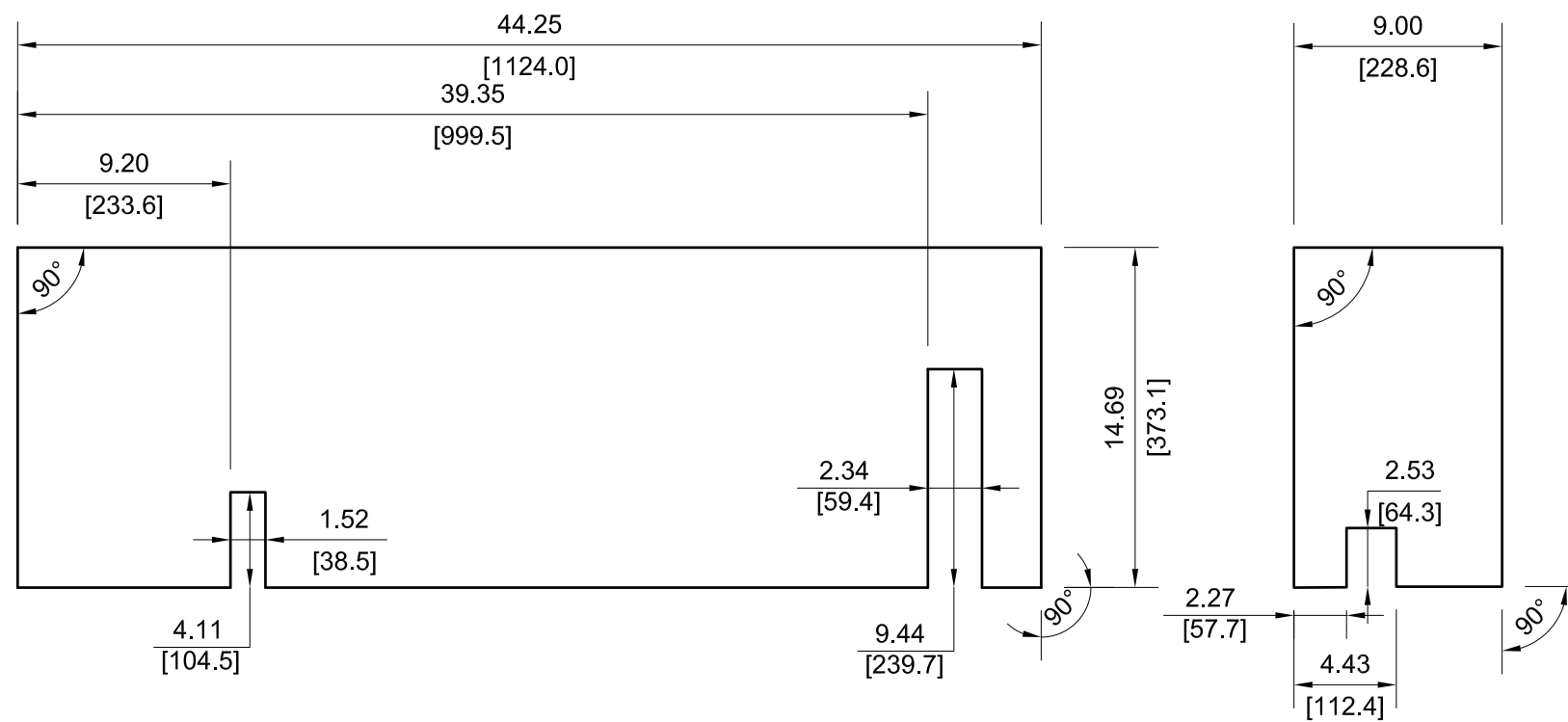
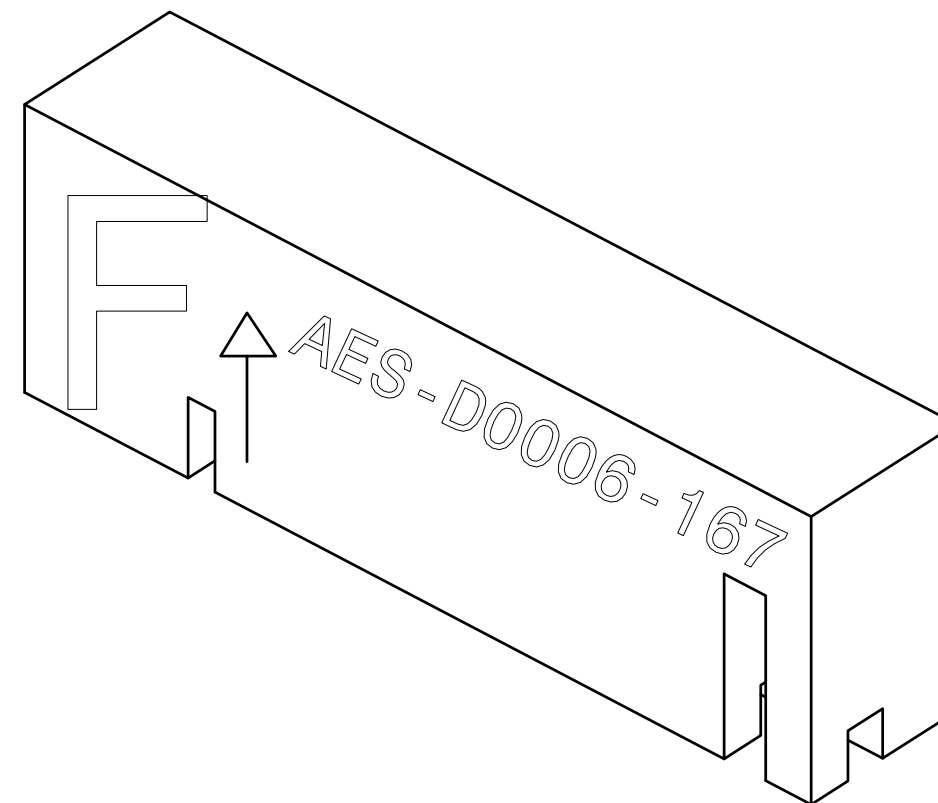
		DRAWING NUMBER			
		AES-D0006			
SIZE	SCALE	SHEET	OF	REVISION	
A3	NONE	79	166	D	

165



		DRAWING NUMBER			
		AES-D0006			
SIZE	SCALE	SHEET	OF	REVISION	
A3	NONE	80	166	D	

167

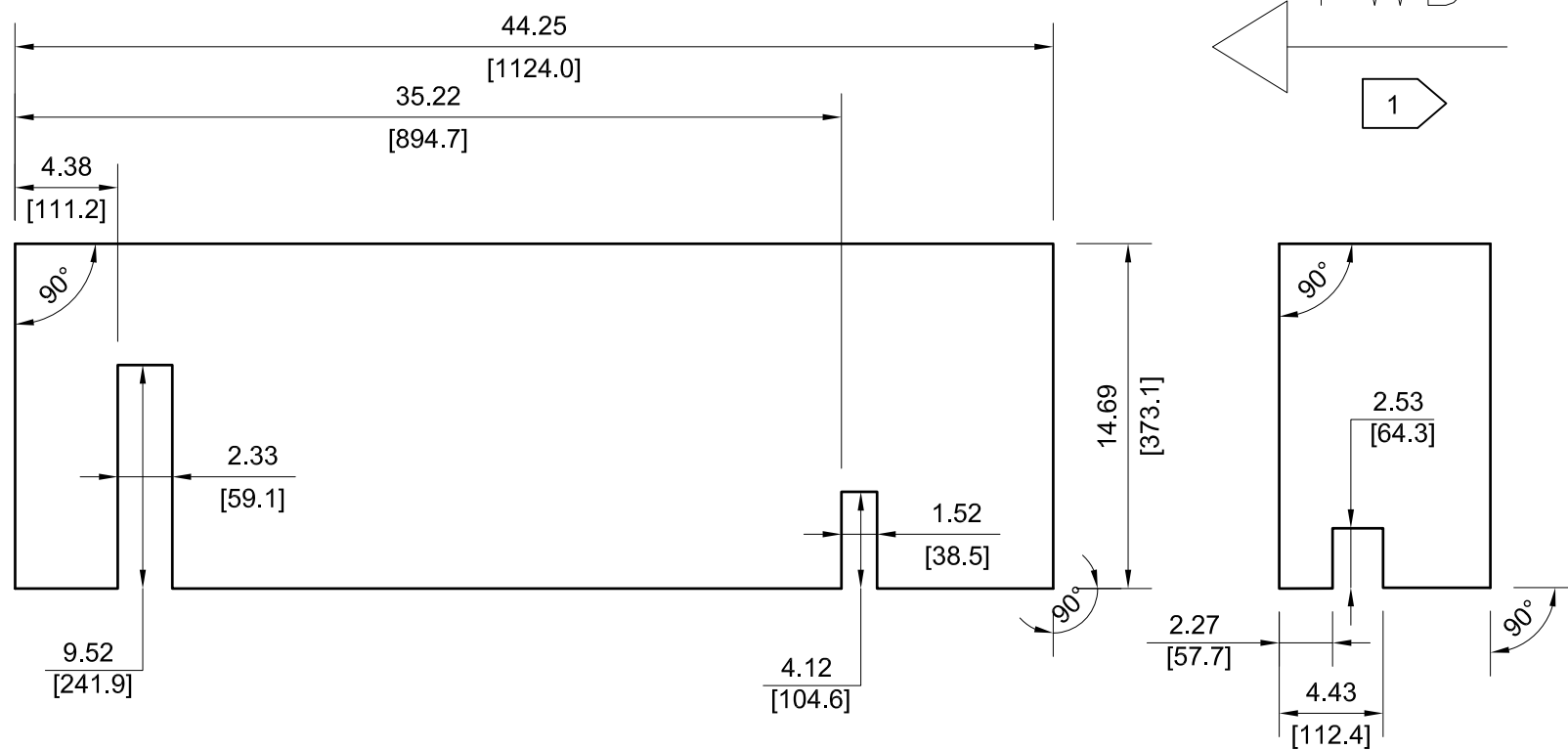
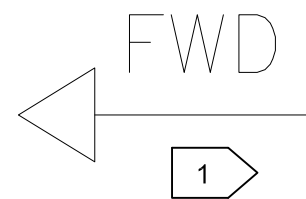
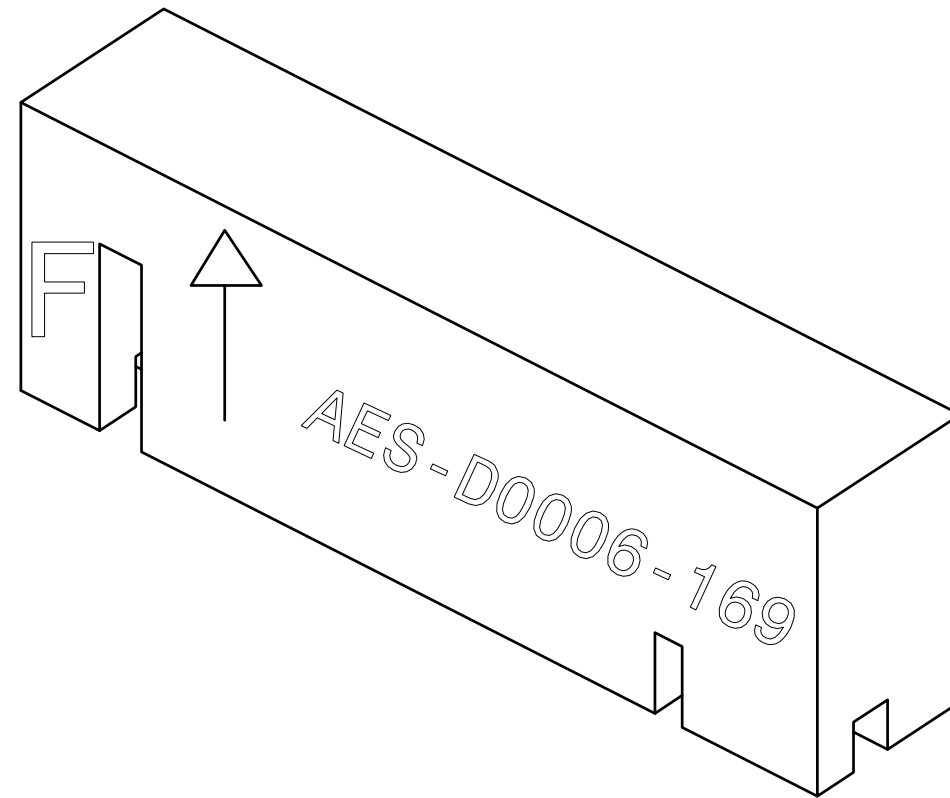


DRAWING NUMBER				
AES-D0006				
SIZE	SCALE	SHEET	OF	REVISION
A3	NONE	81	166	D

1 2 3 4 5 6 7 8

A
B
C
D
E
F

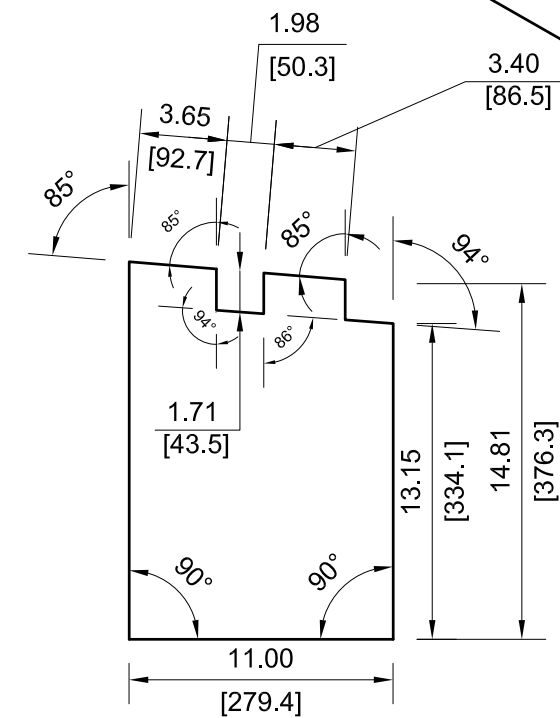
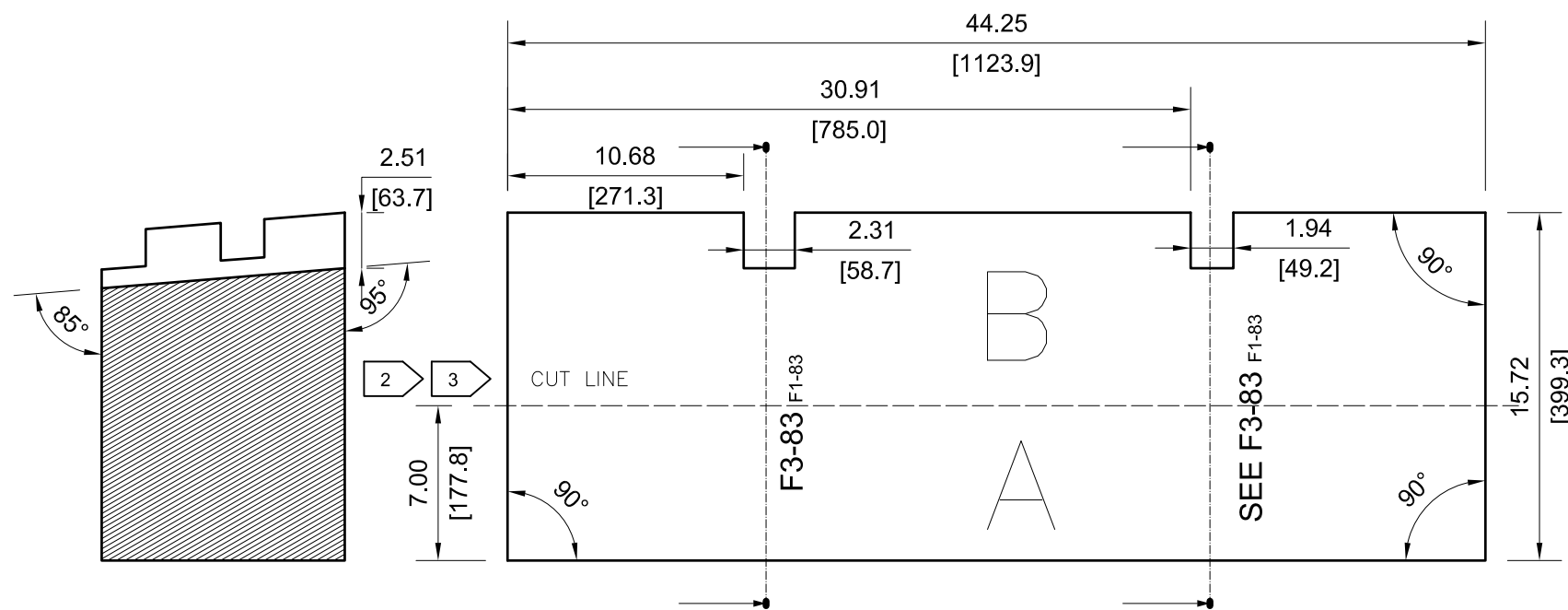
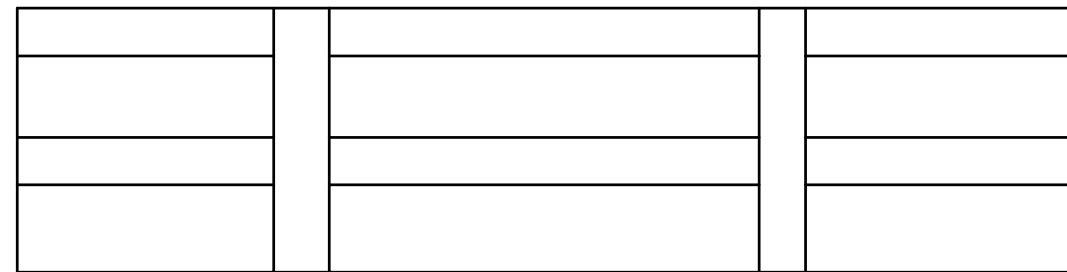
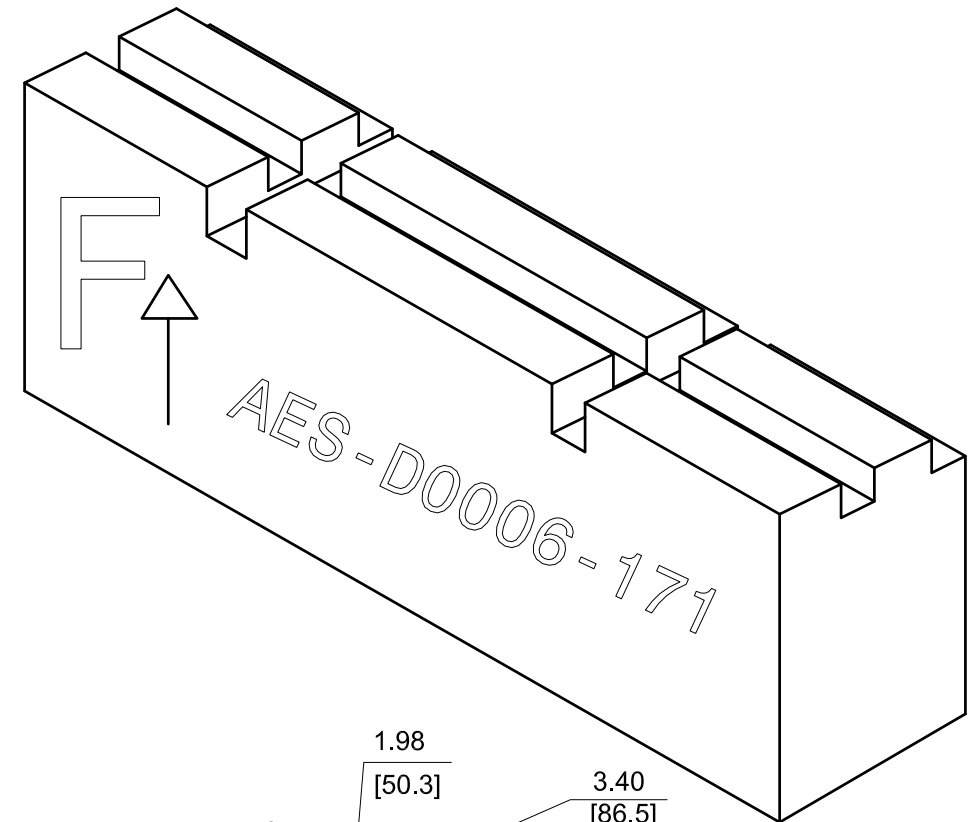
169



	DRAWING NUMBER				
	AES-D0006				
SIZE	SCALE	SHEET	OF	REVISION	
A3	NONE	82	166	D	

1 2 3 4 5 6 7 8

171

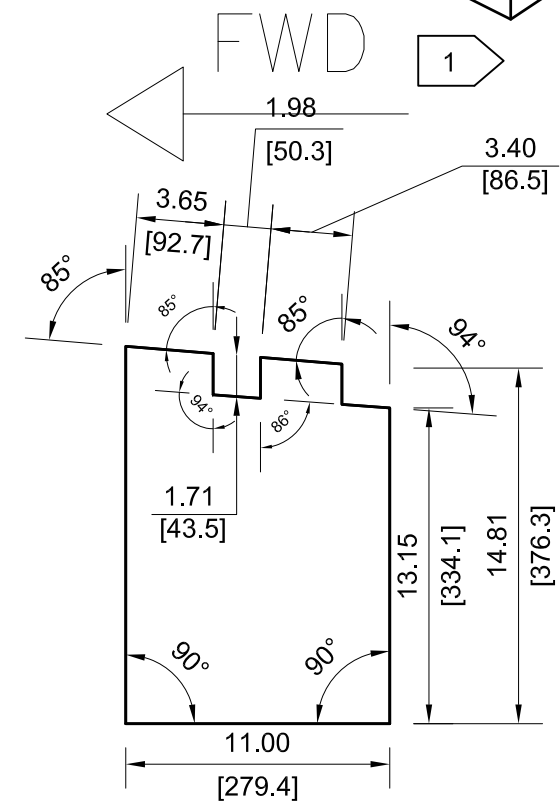
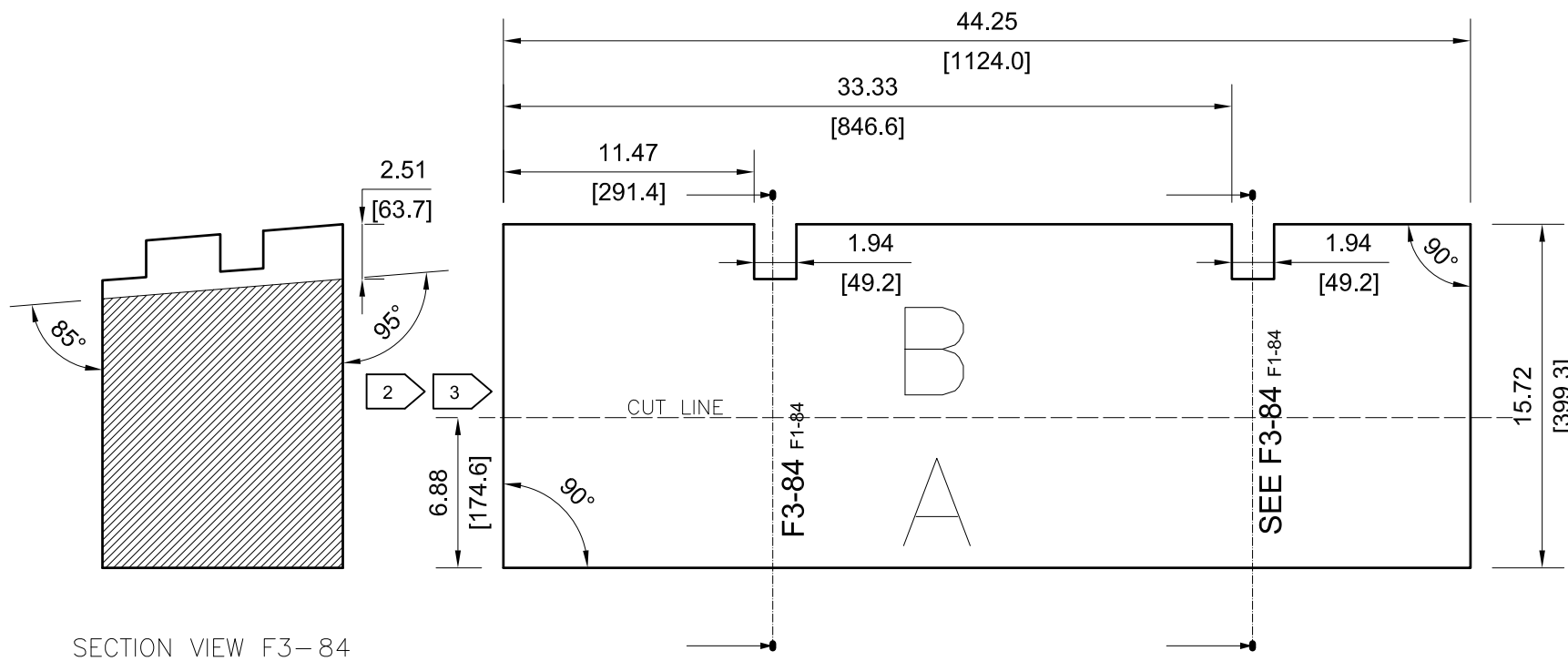
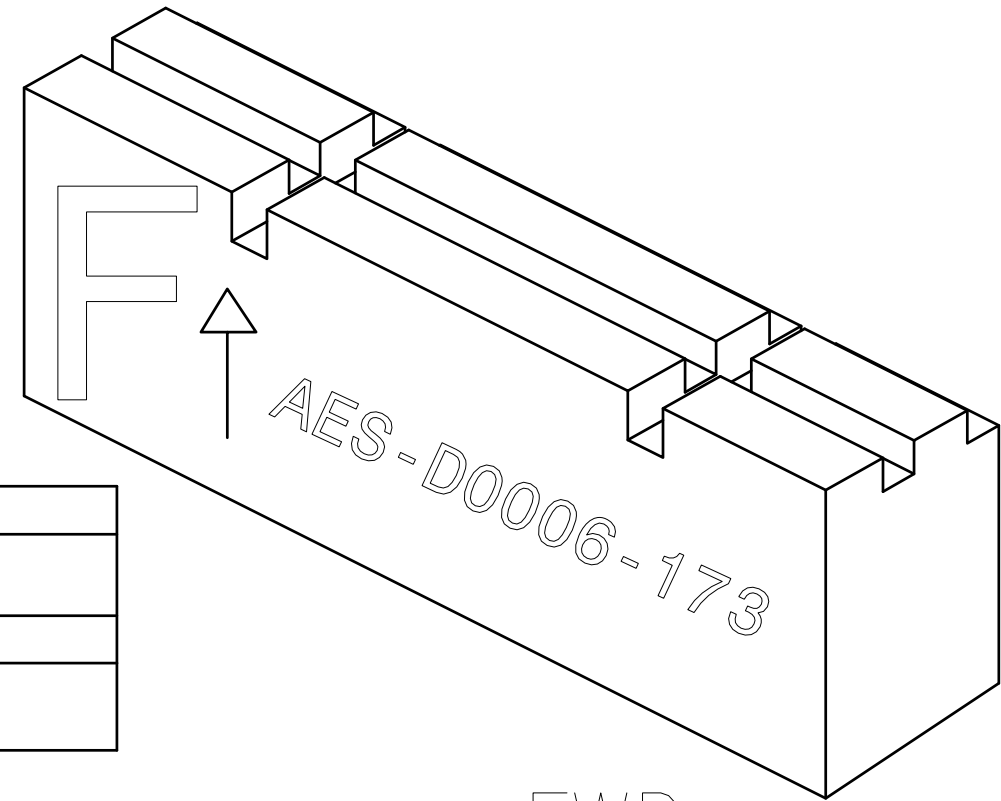


SECTION VIEW F3-83



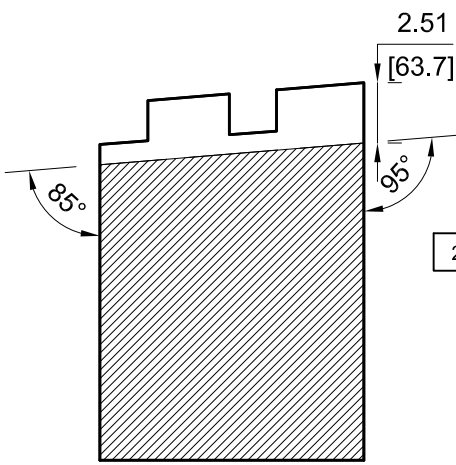
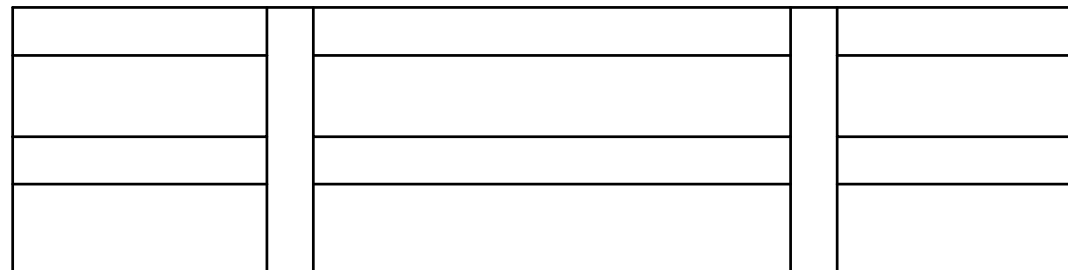
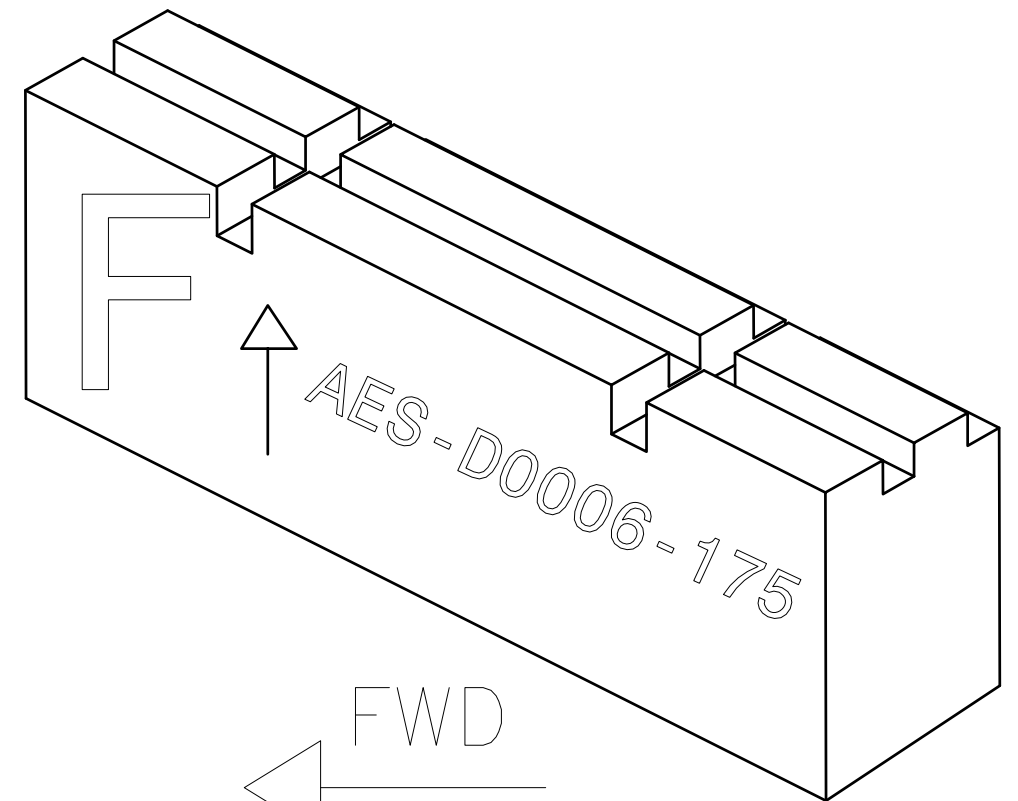
DRAWING NUMBER				
AES-D0006				
SIZE	SCALE	SHEET	OF	REVISION
A3	NONE	83	166	D

173

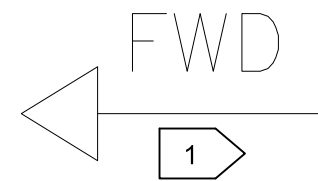
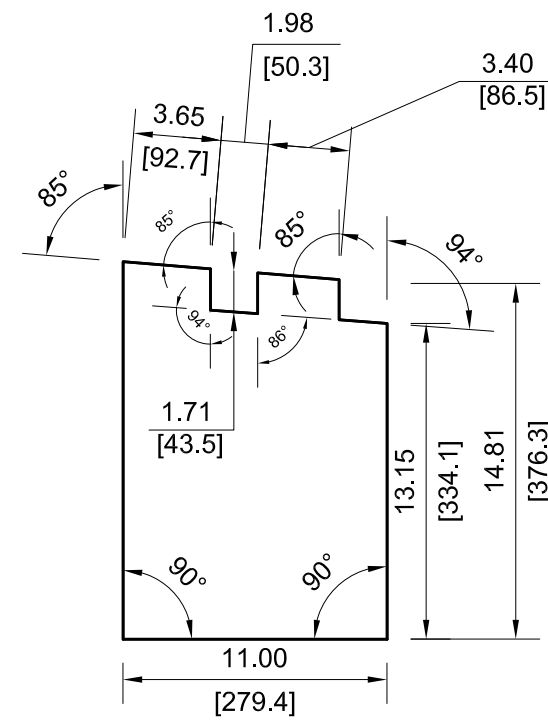
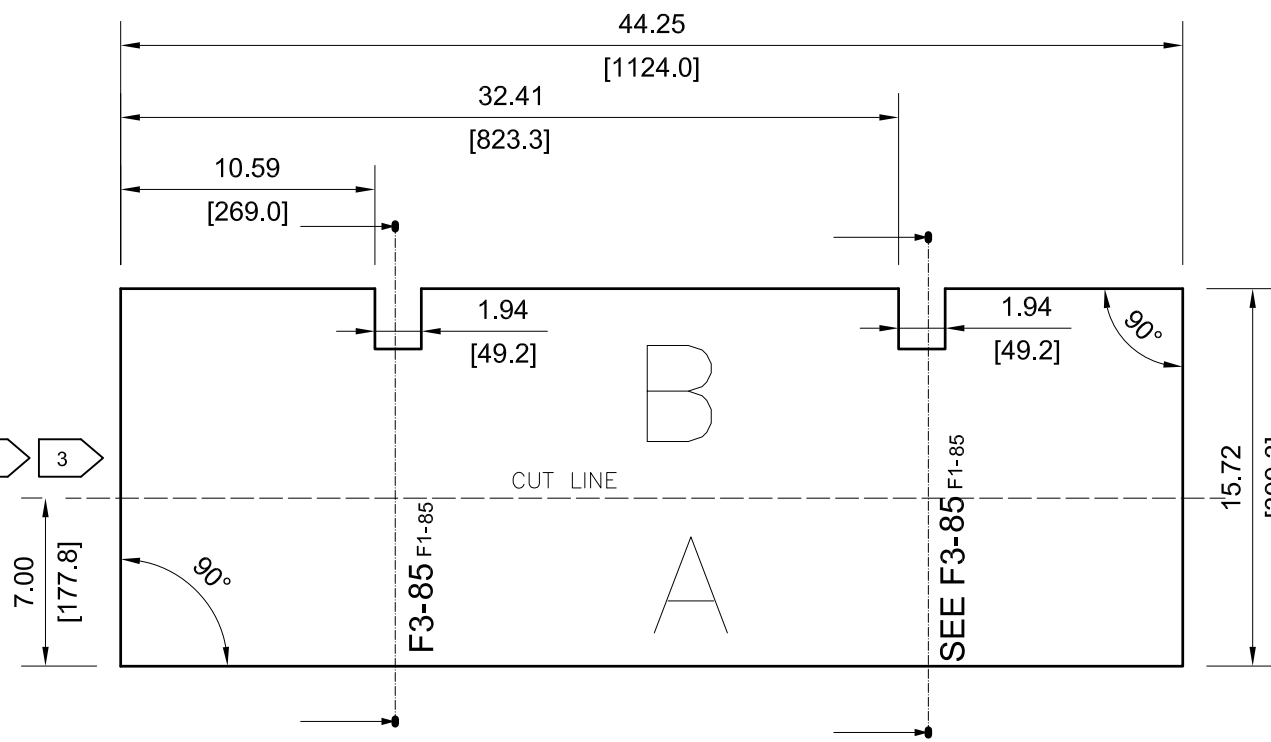


DRAWING NUMBER				
AES-D0006				
SIZE	SCALE	SHEET	OF	REVISION
A3	NONE	84	166	D

175

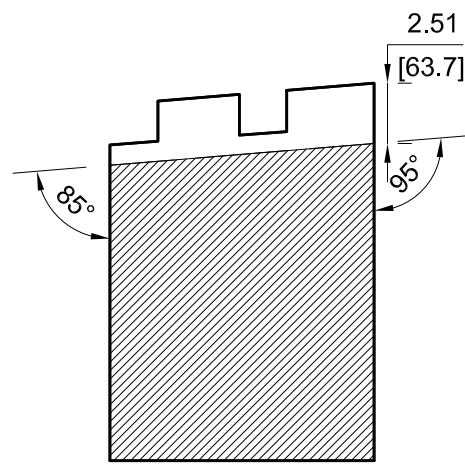
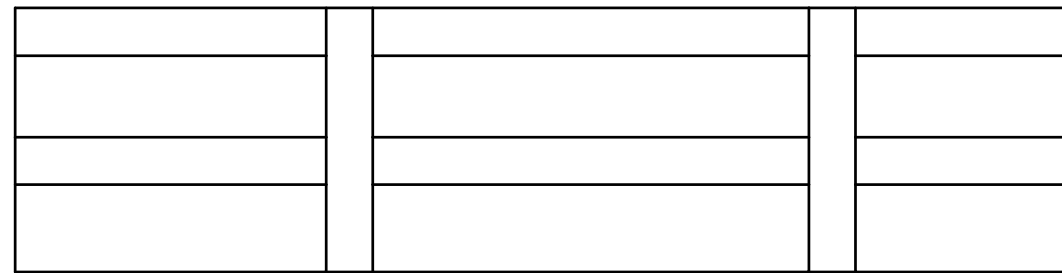
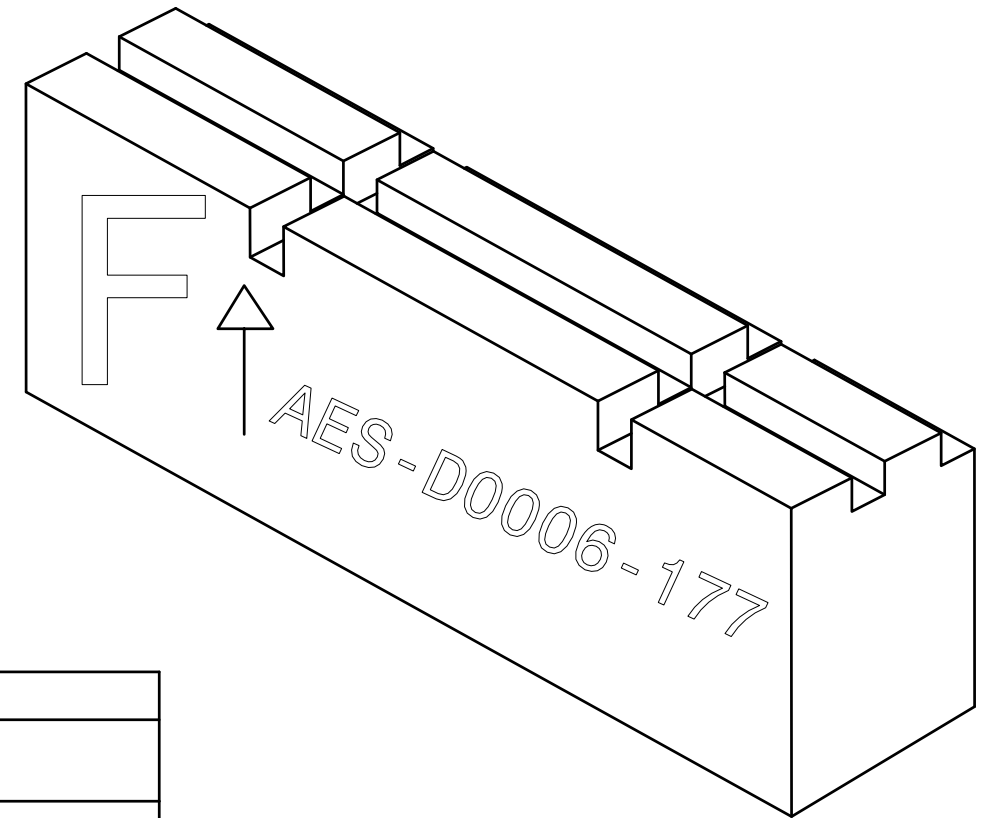


SECTION VIEW F3-85

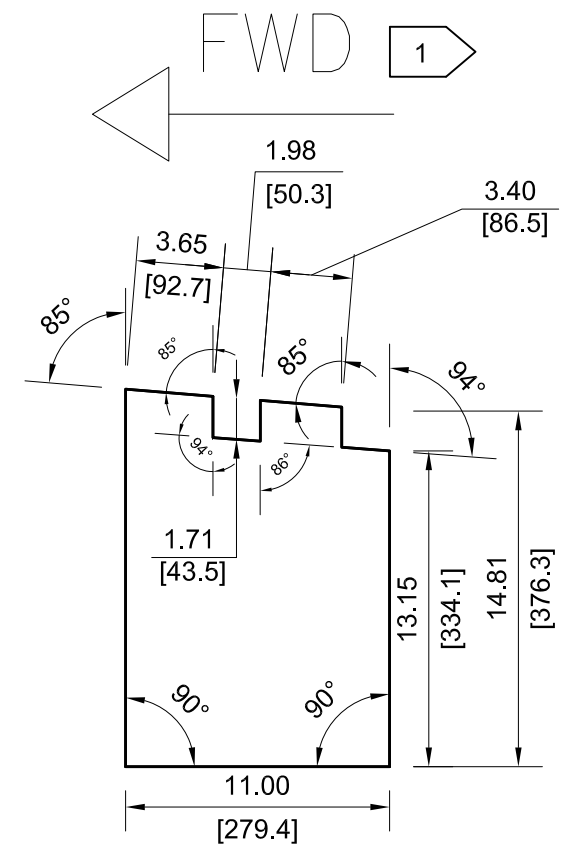
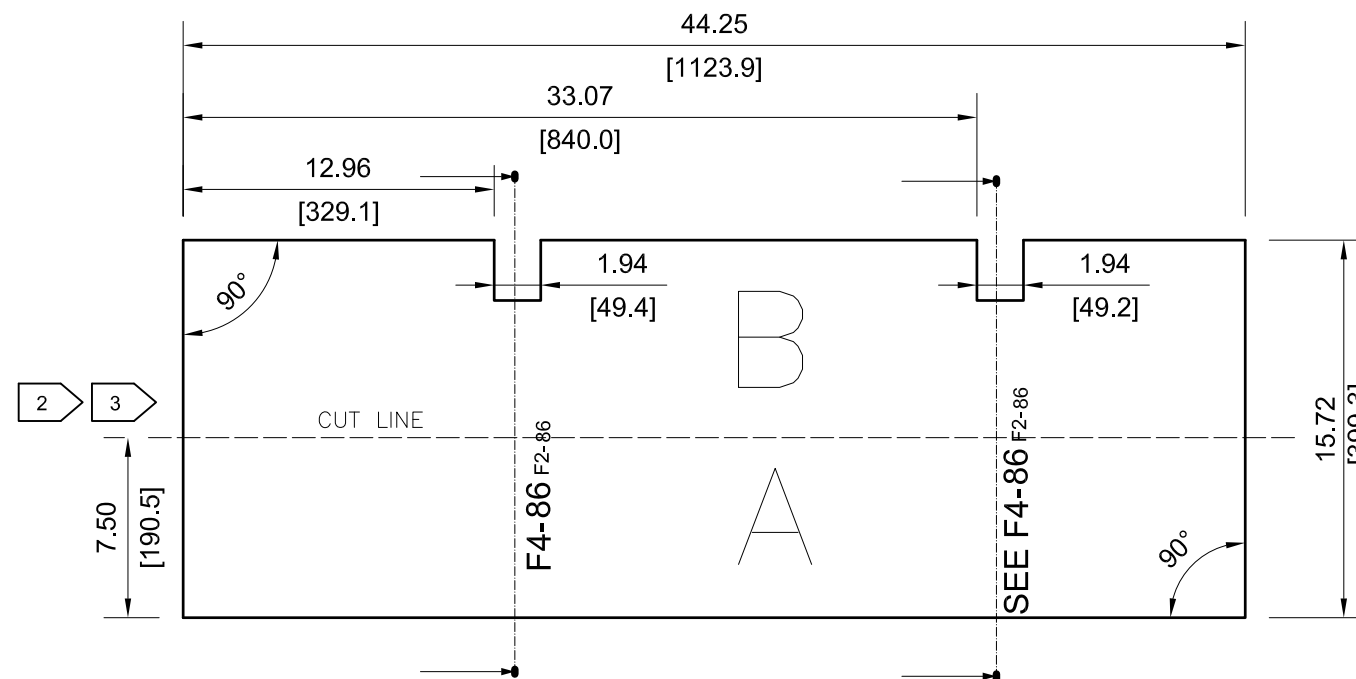


DRAWING NUMBER				
AES-D0006				
SIZE	SCALE	SHEET	OF	REVISION
A3	NONE	85	166	D

177

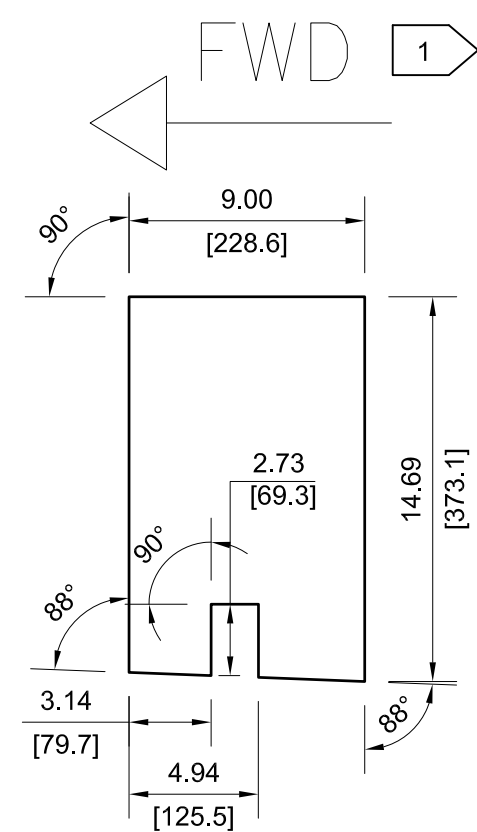
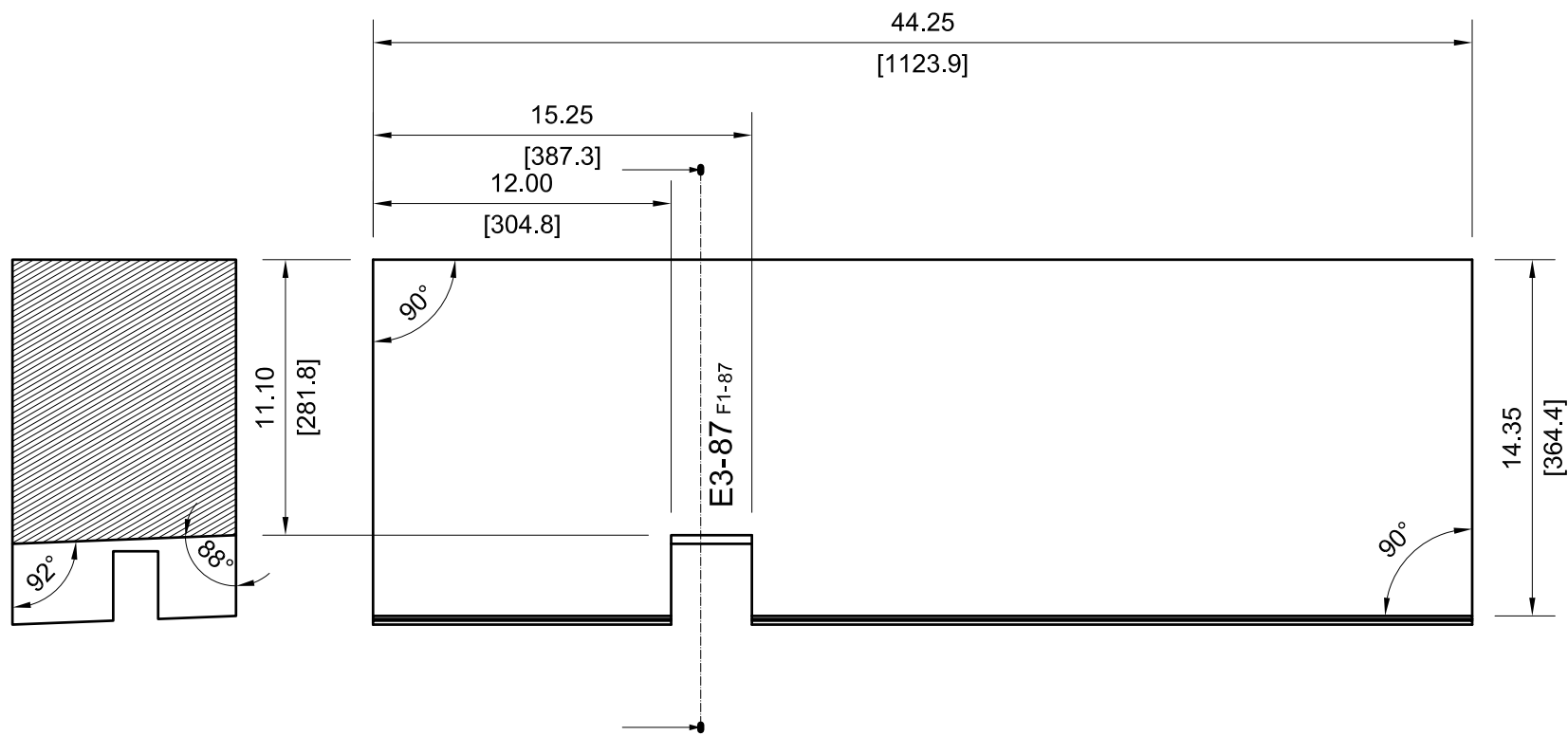
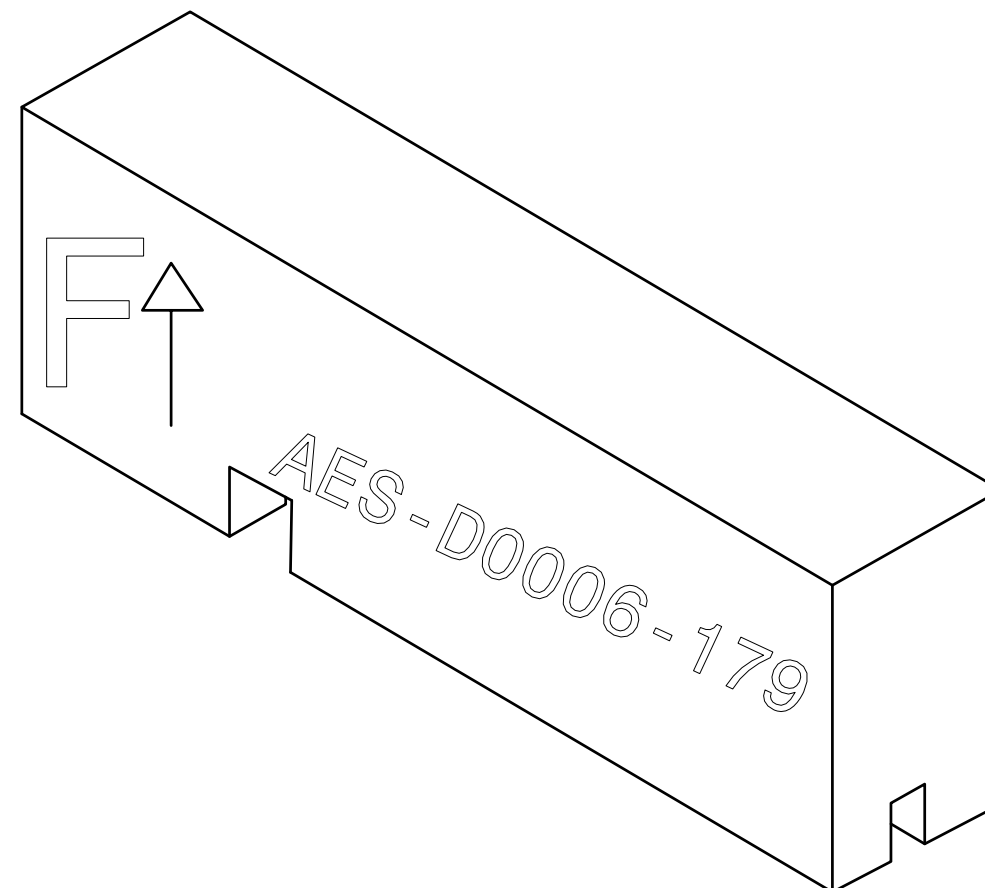


SECTION VIEW F4-86



DRAWING NUMBER				
AES-D0006				
SIZE	SCALE	SHEET	OF	REVISION
A3	NONE	86	166	D

179

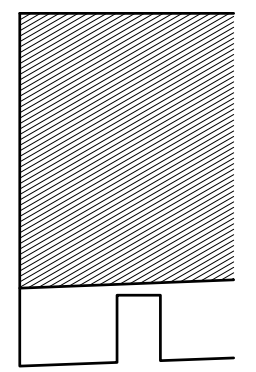
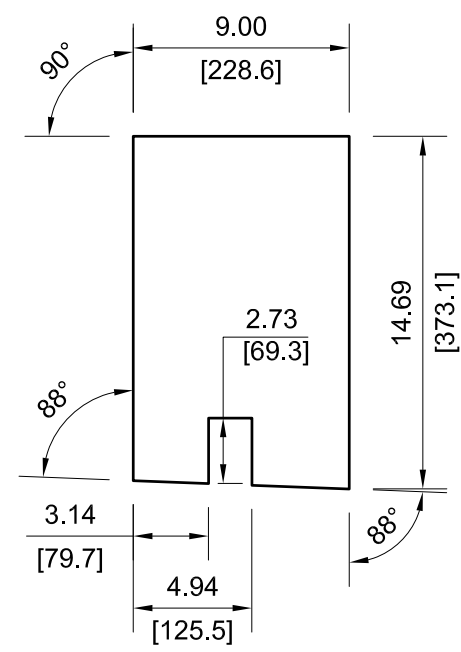
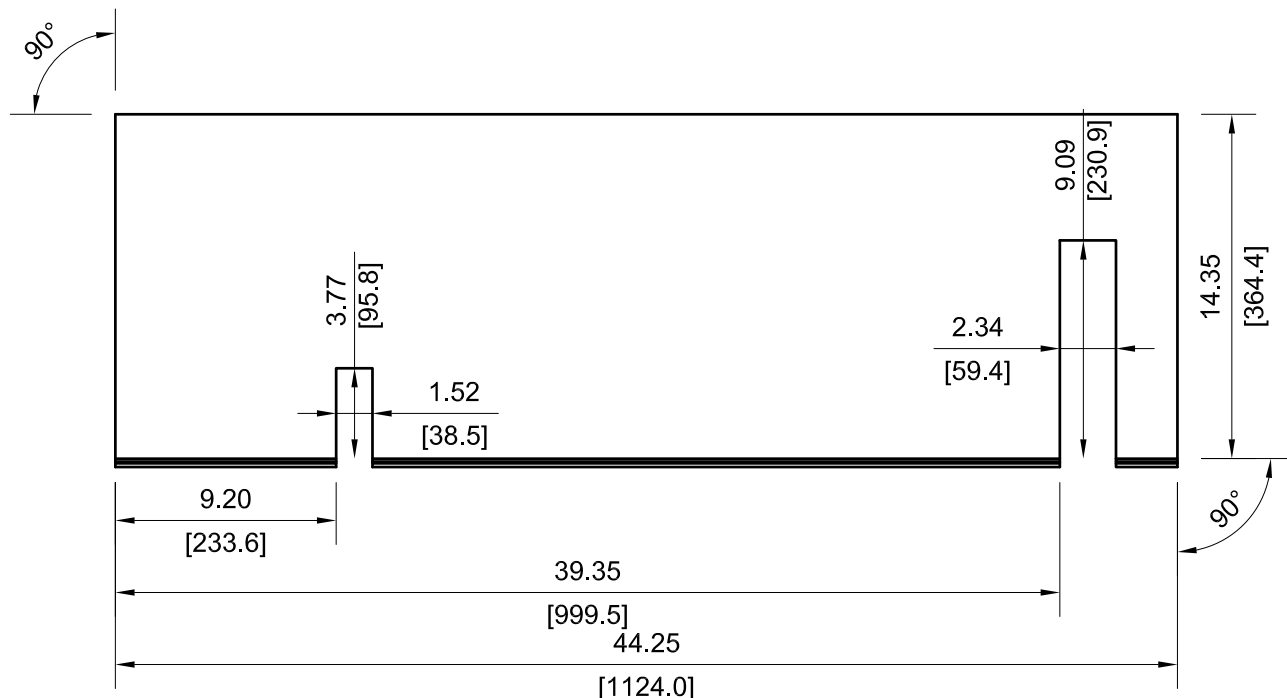
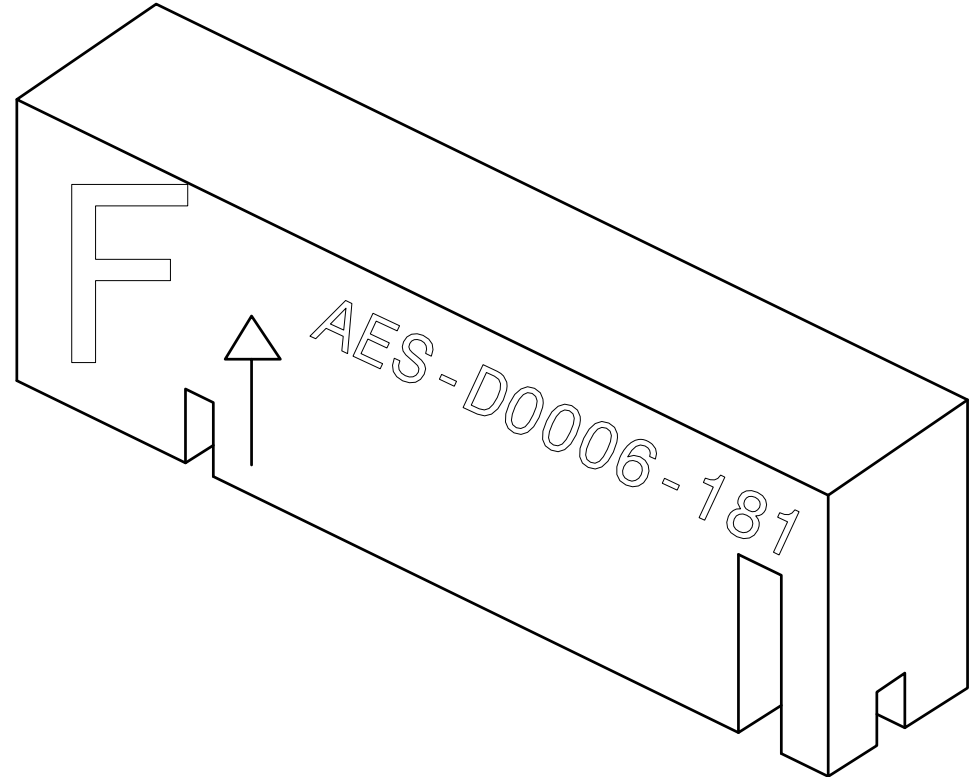



SECTION VIEW E3-87



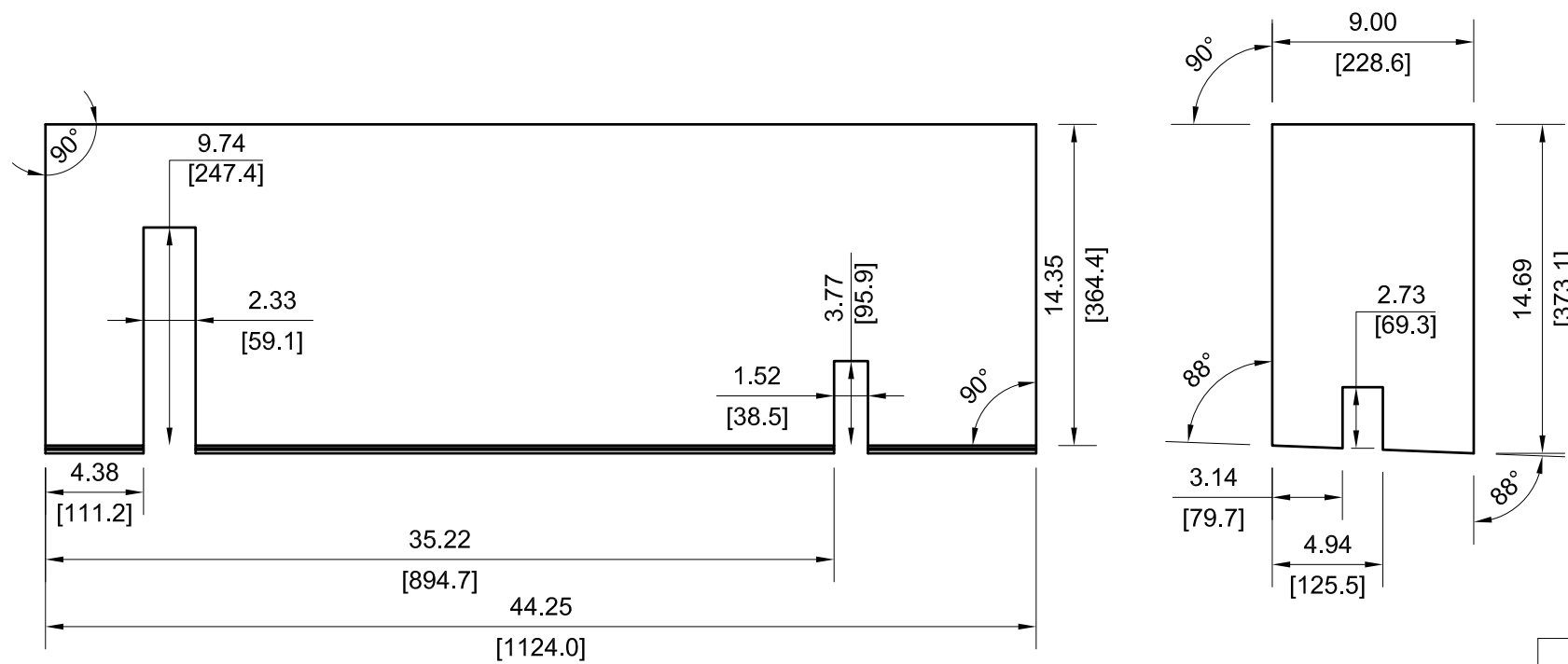
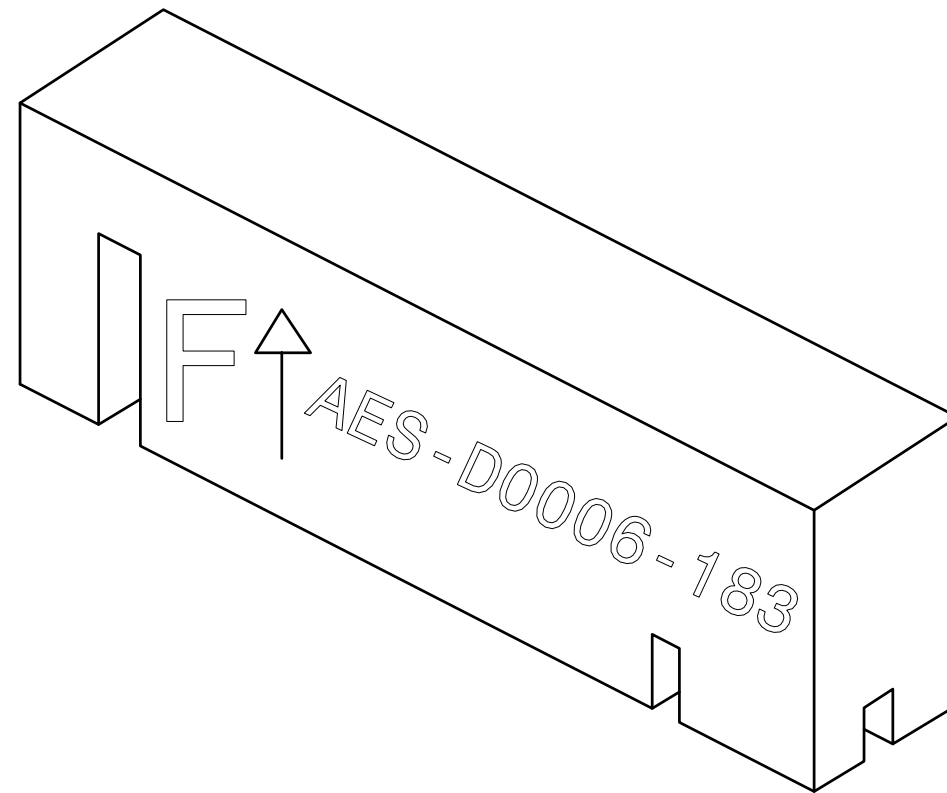
DRAWING NUMBER				
AES-D0006				
SIZE	SCALE	SHEET	OF	REVISION
A3	NONE	87	166	D

— 181



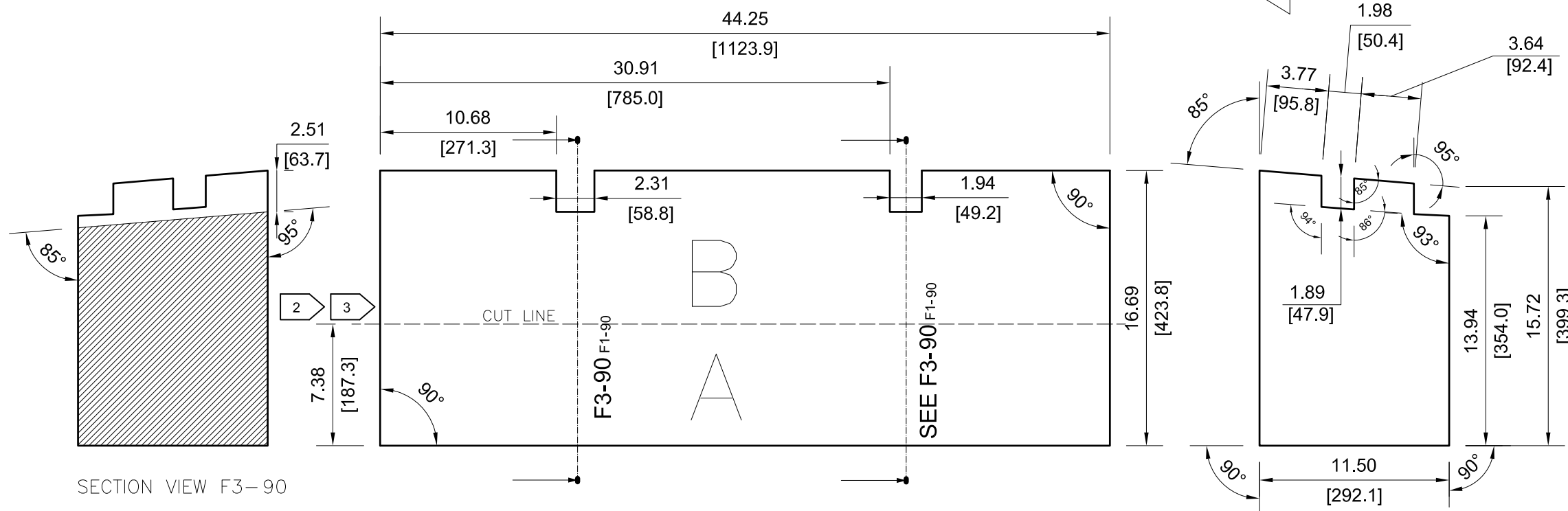
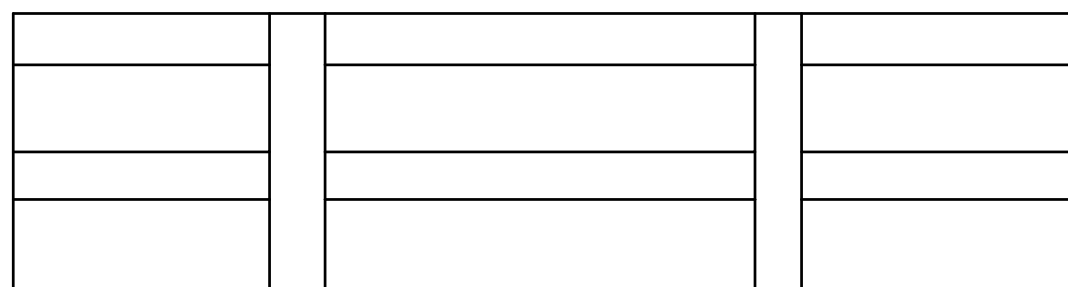
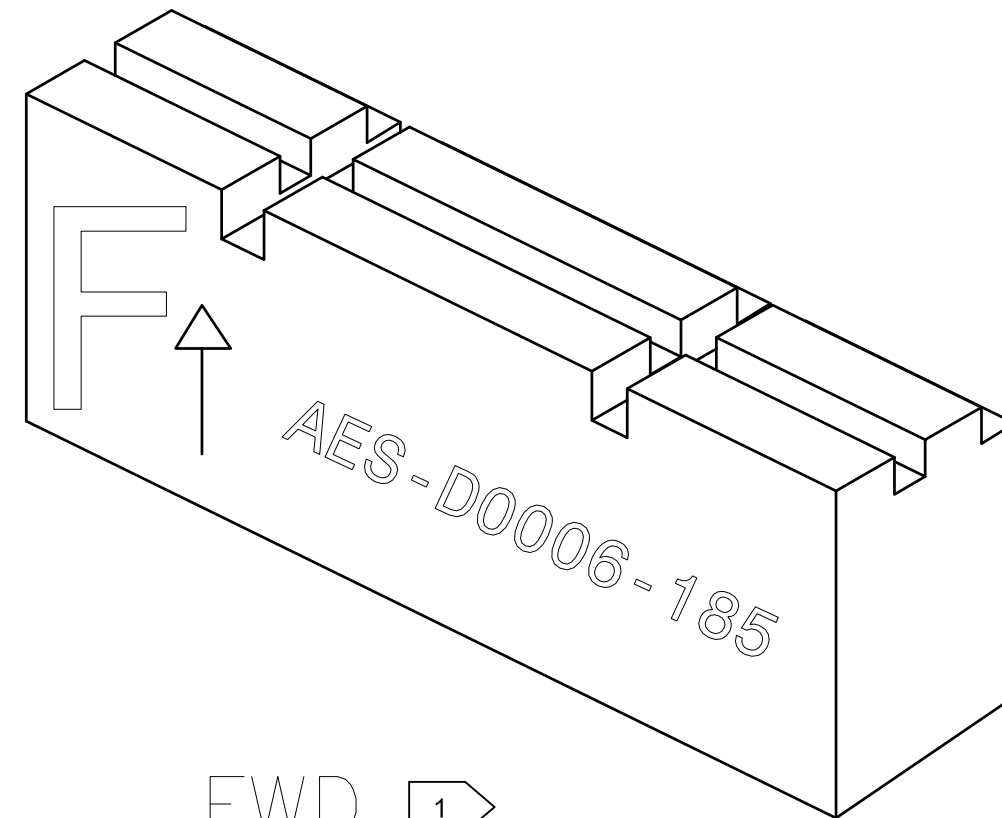
		DRAWING NUMBER			
		AES-D0006			
SIZE	SCALE	SHEET	OF	REVISION	
A3	NONE	88	166	D	

— 183



DRAWING NUMBER				
AES-D0006				
SIZE	SCALE	SHEET	OF	REVISION
A3	NONE	89	166	D

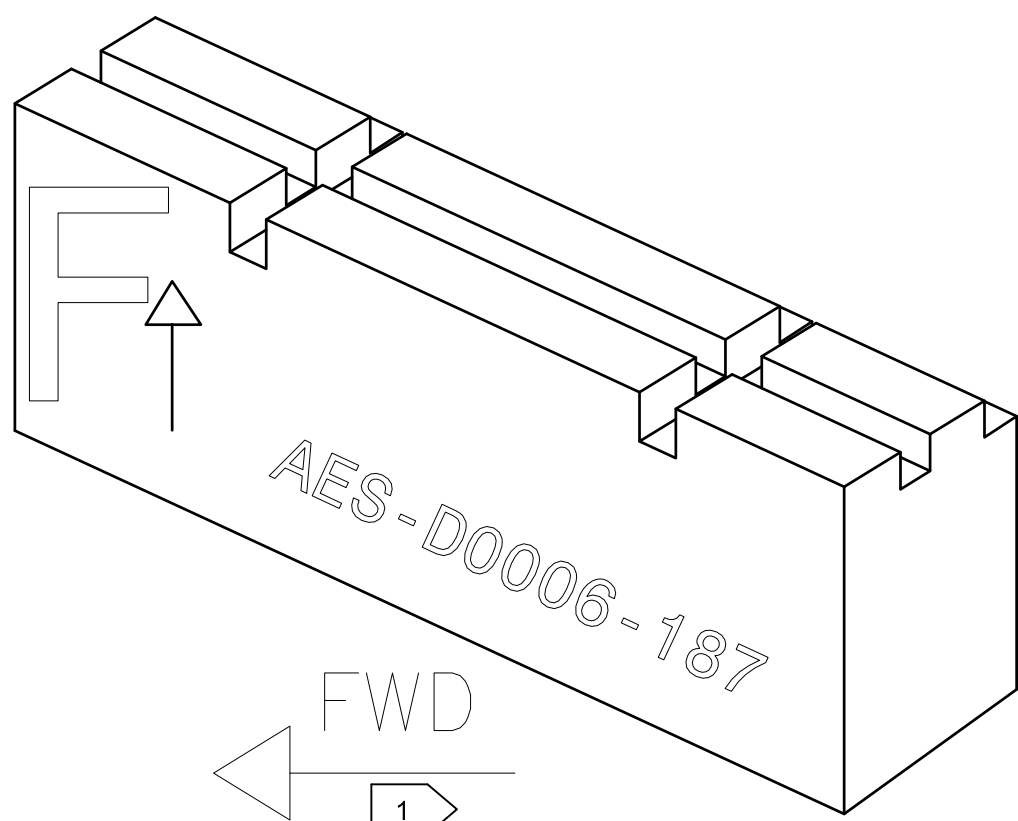
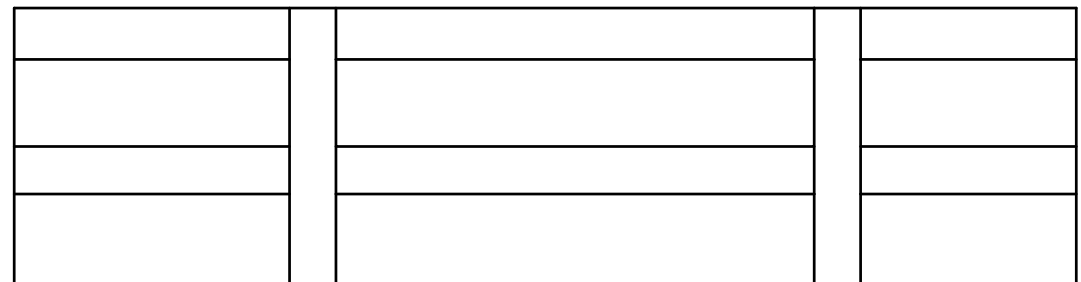
185



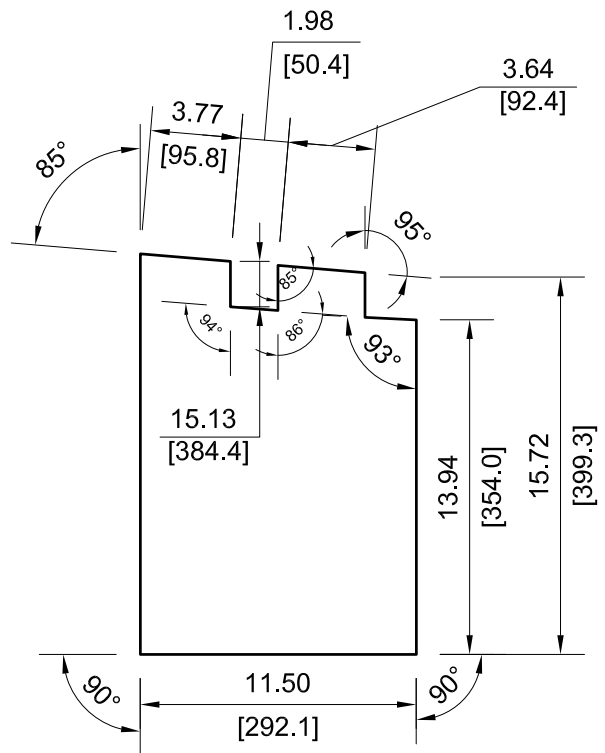
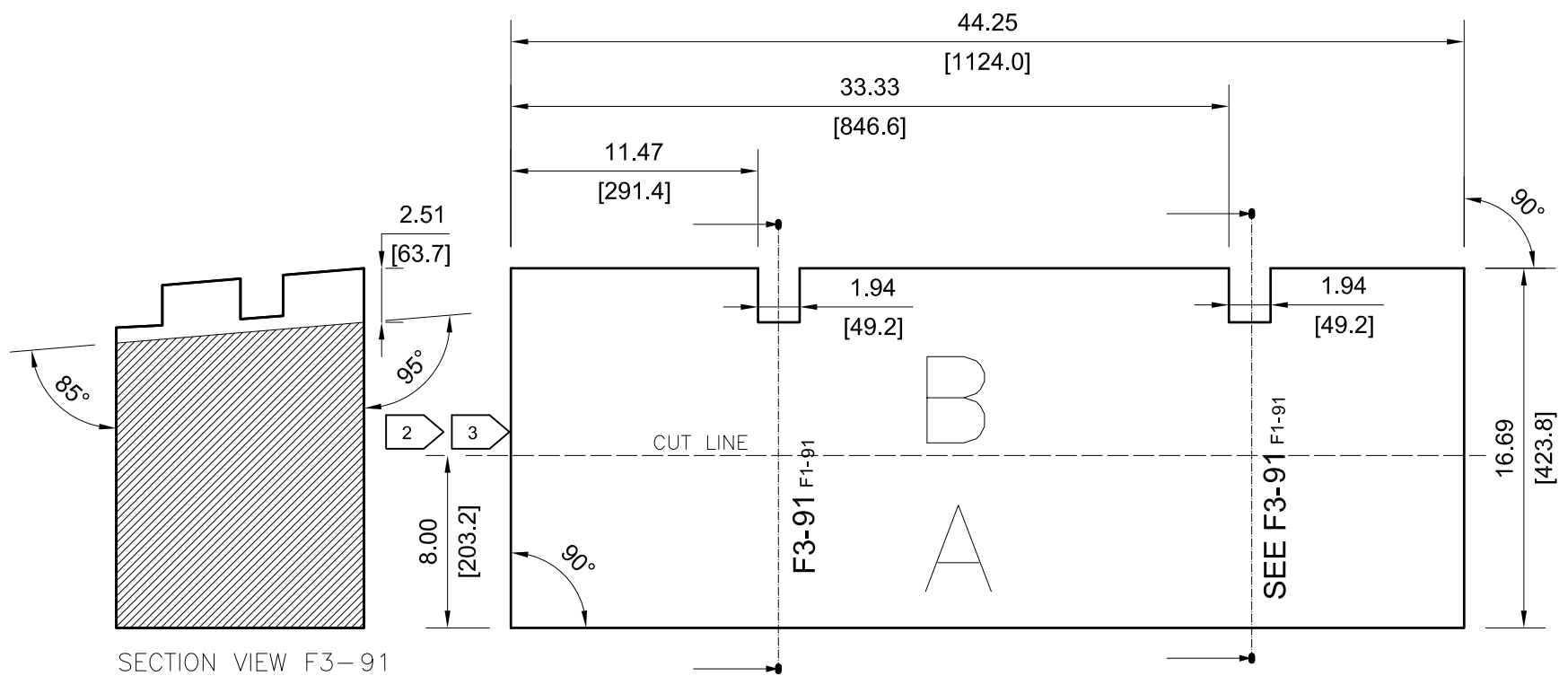
FWD 1

		DRAWING NUMBER			
		AES-D0006			
SIZE	SCALE	SHEET	OF	REVISION	
A3	NONE	90	166	D	

187



FWD
1

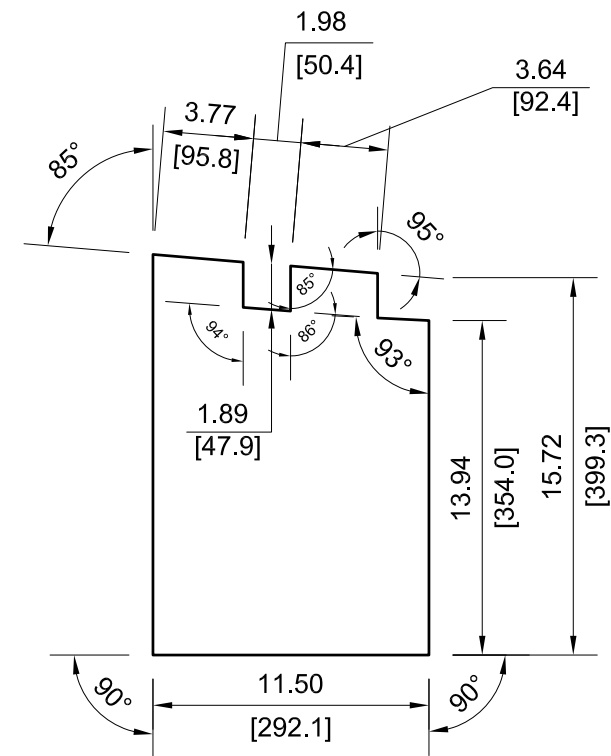
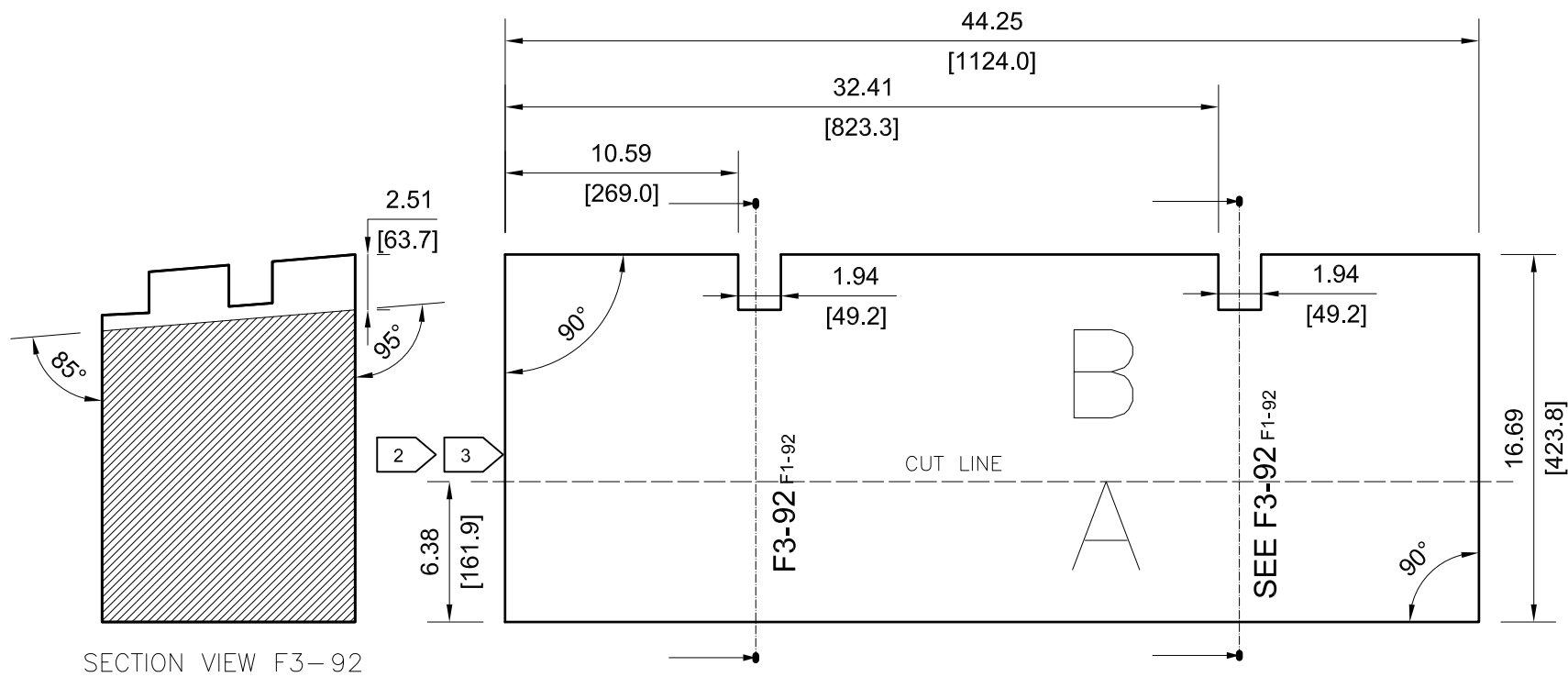
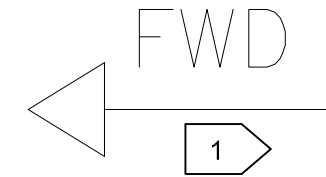
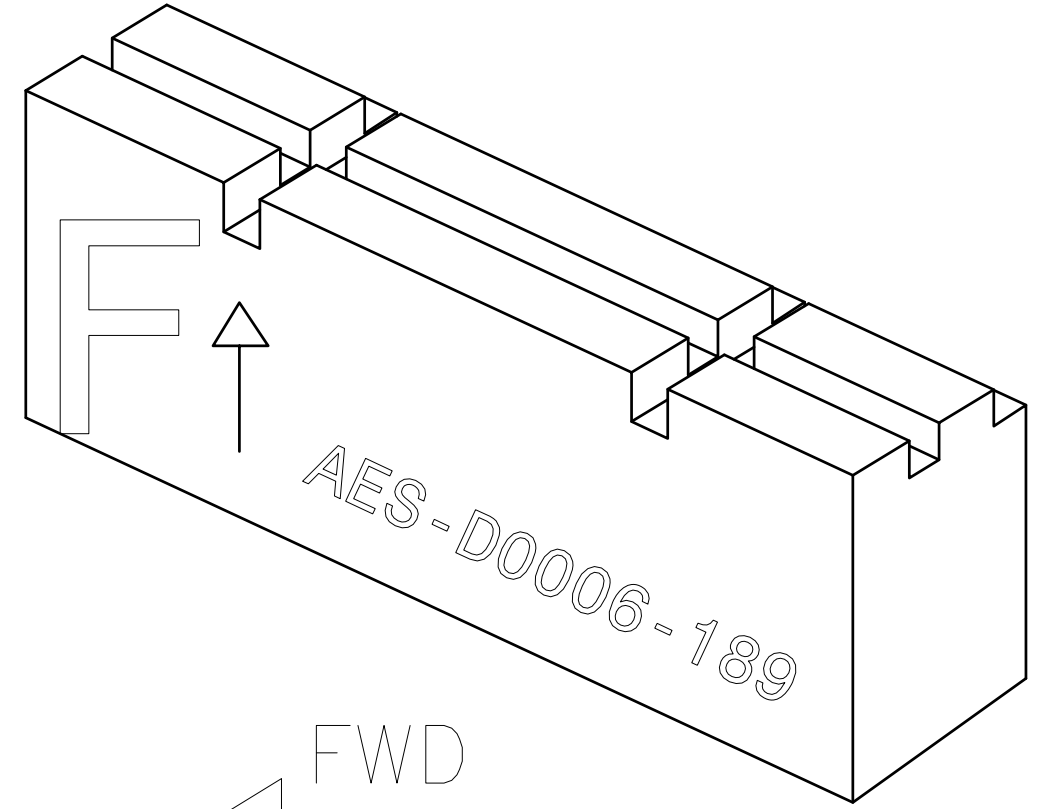


SECTION VIEW F3-91



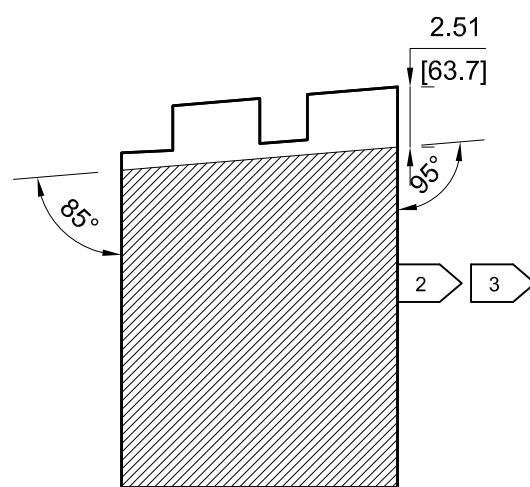
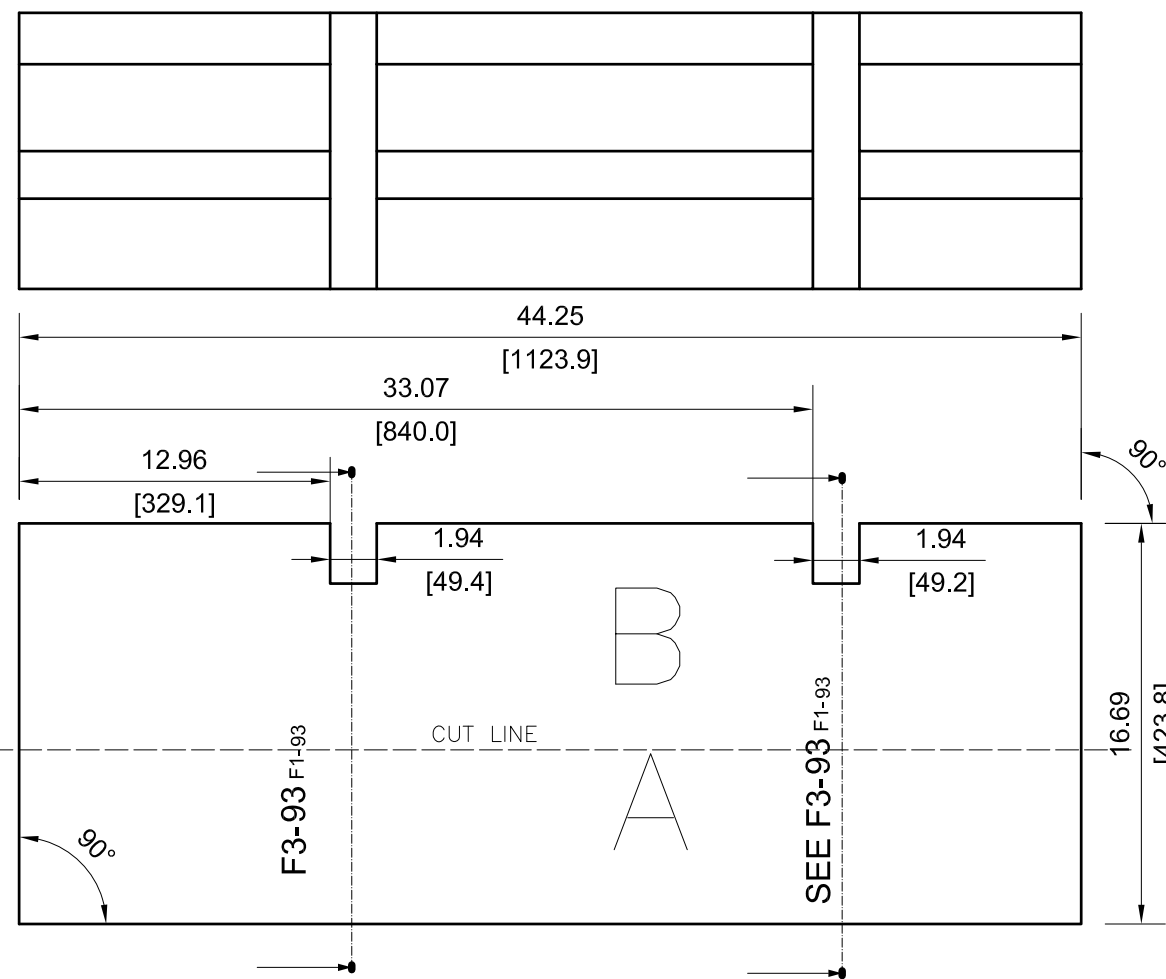
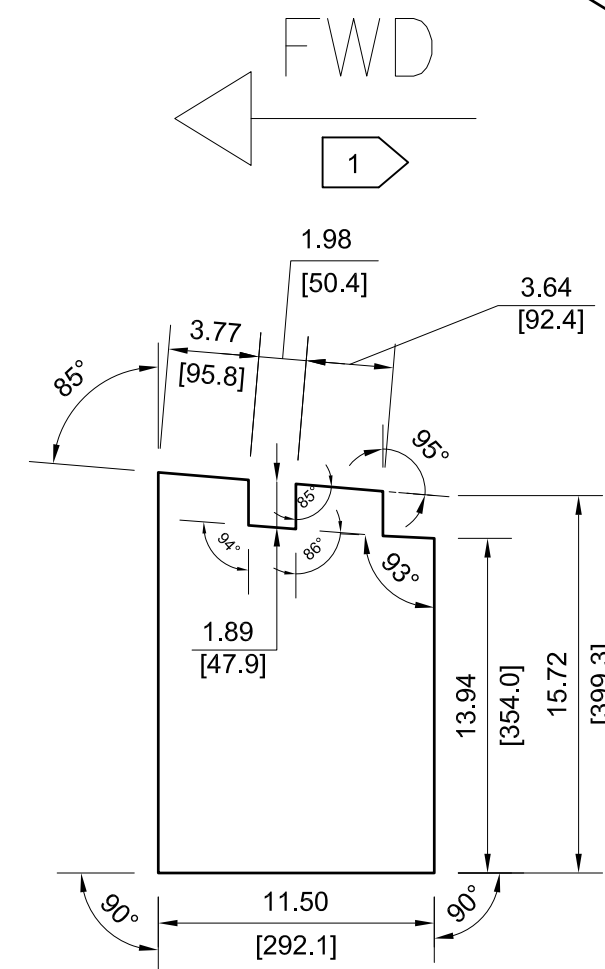
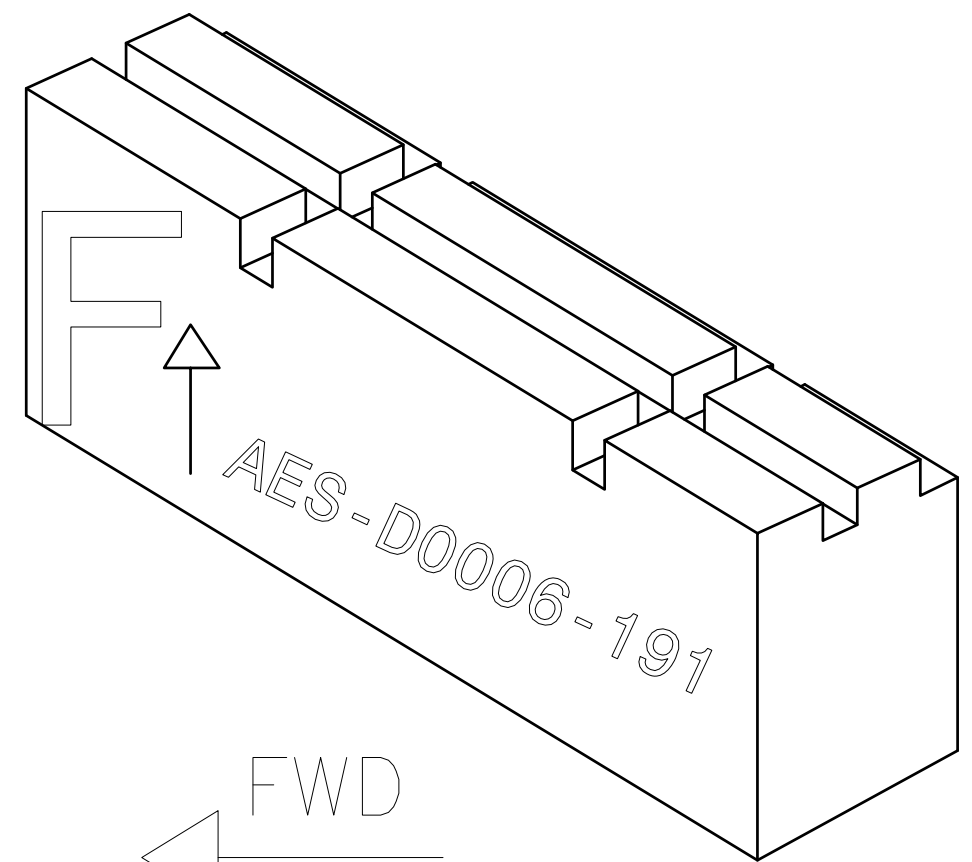
DRAWING NUMBER				
AES-D0006				
SIZE	SCALE	SHEET	OF	REVISION
A3	NONE	91	166	D

189



DRAWING NUMBER				
AES-D0006				
SIZE	SCALE	SHEET	OF	REVISION
A3	NONE	92	166	D

191



SECTION VIEW F3-93

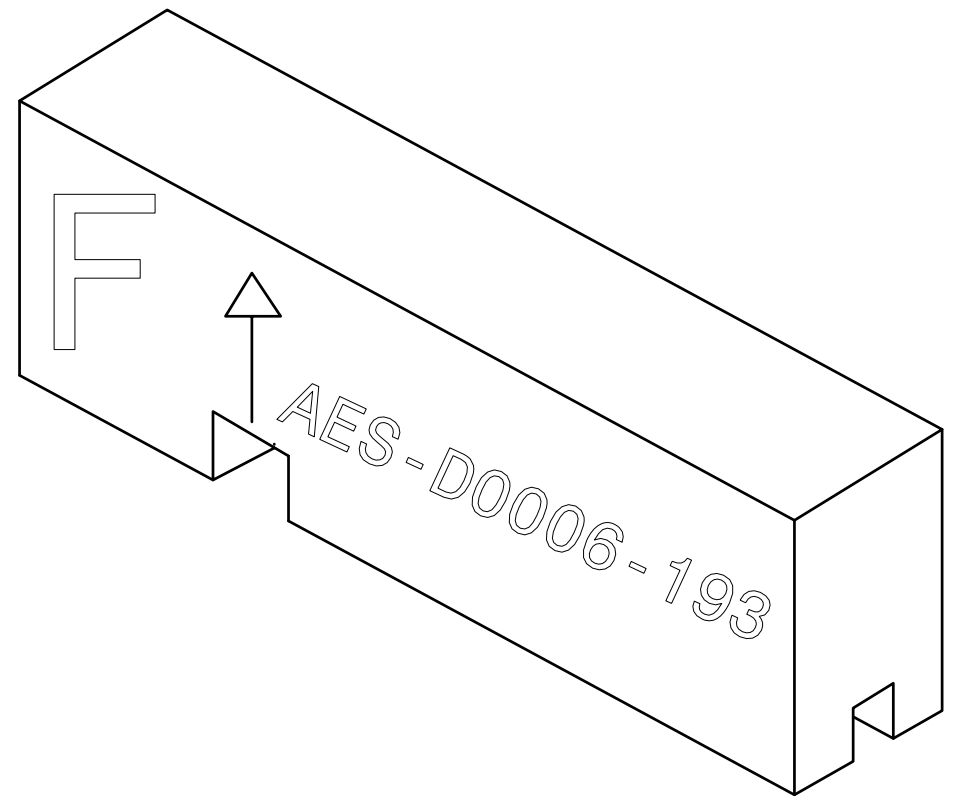


DRAWING NUMBER

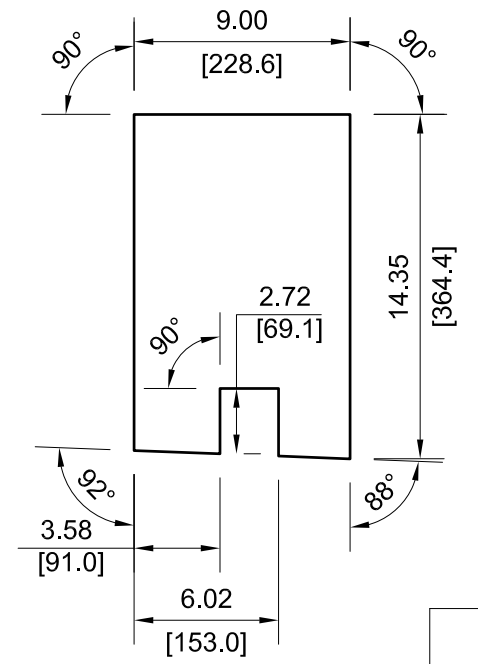
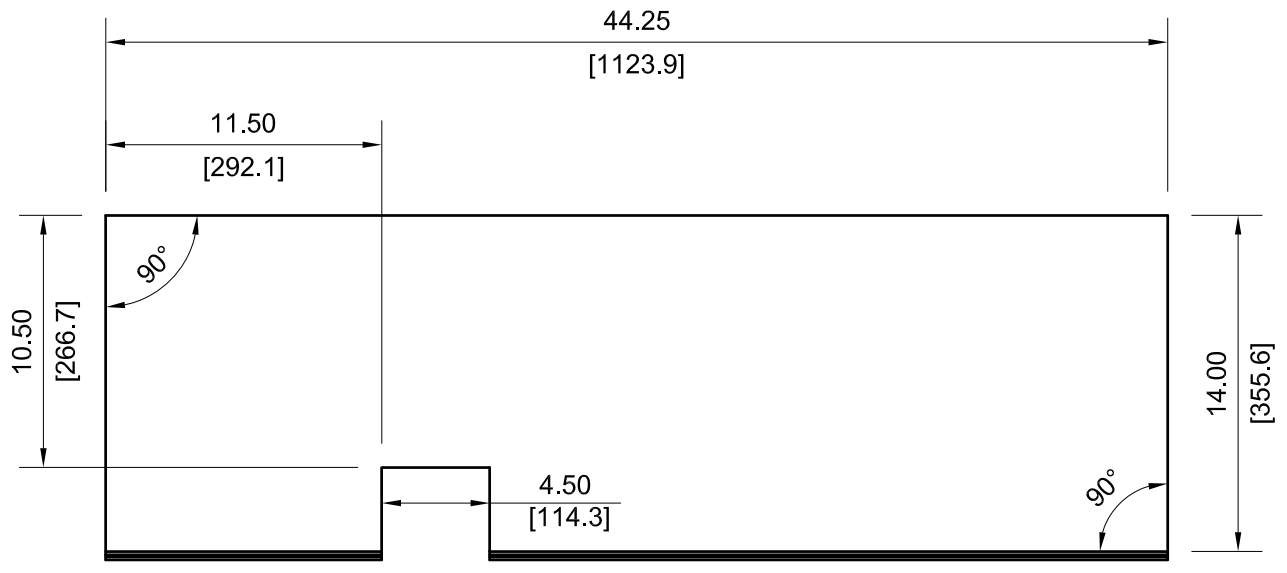
AES-D0006


SIZE	SCALE	SHEET	OF	REVISION
A3	NONE	93	166	D

193

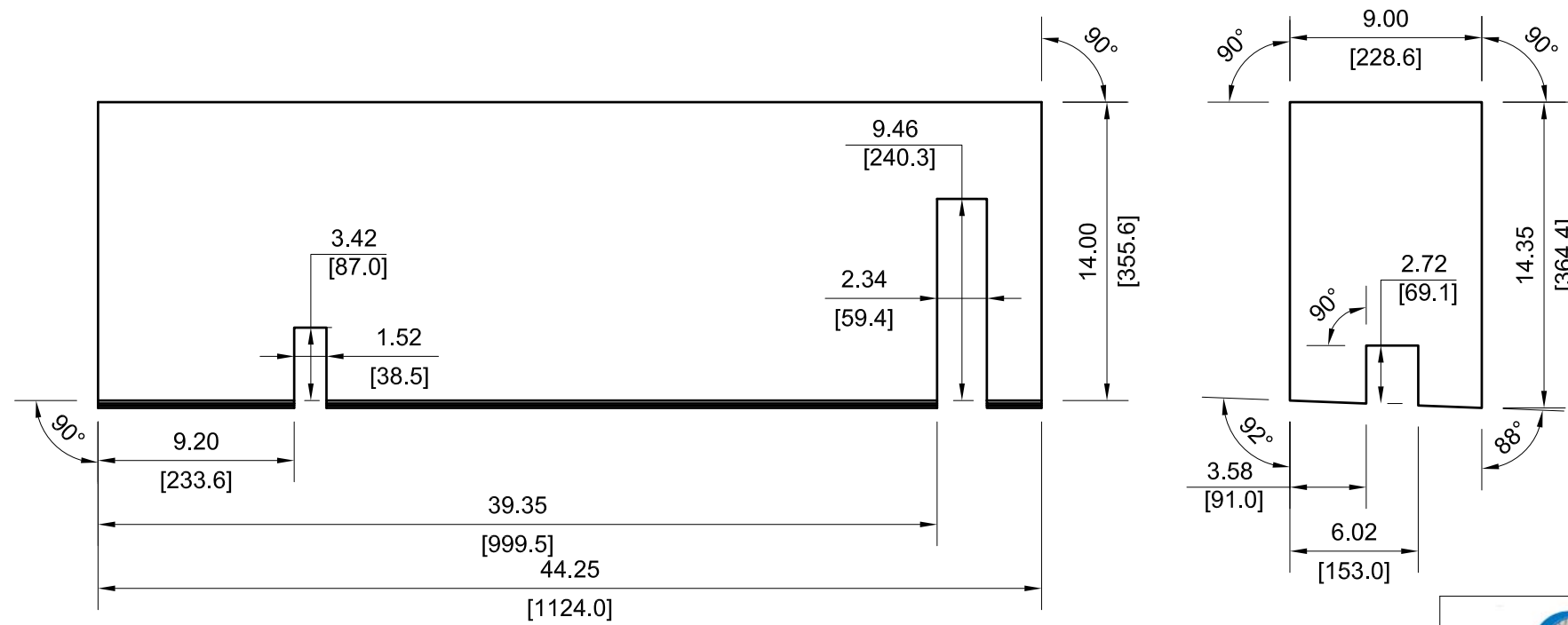
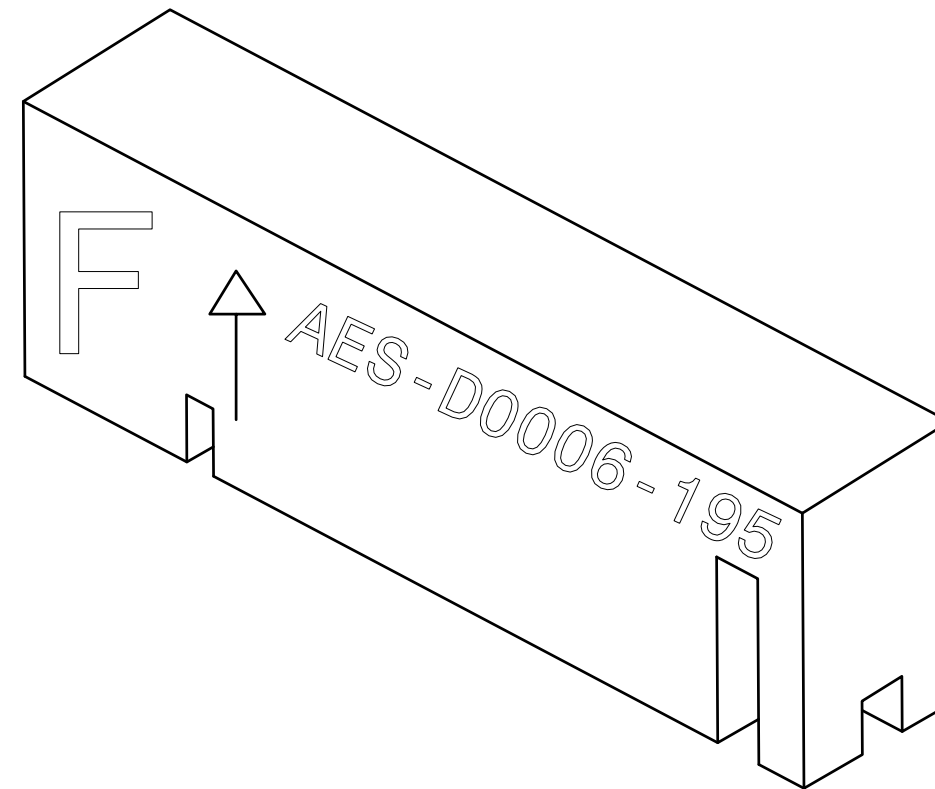


FWD 1



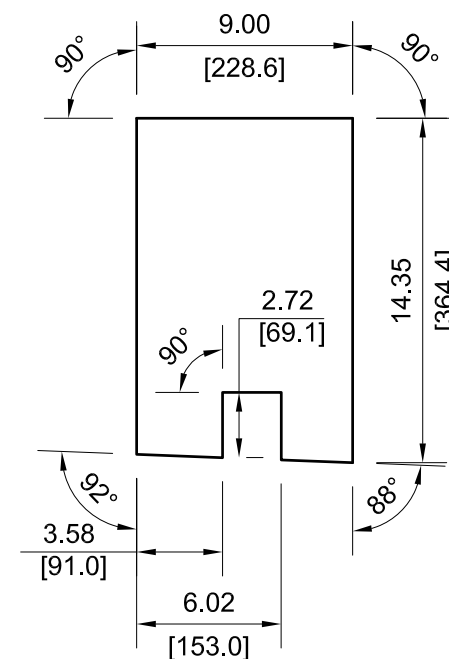
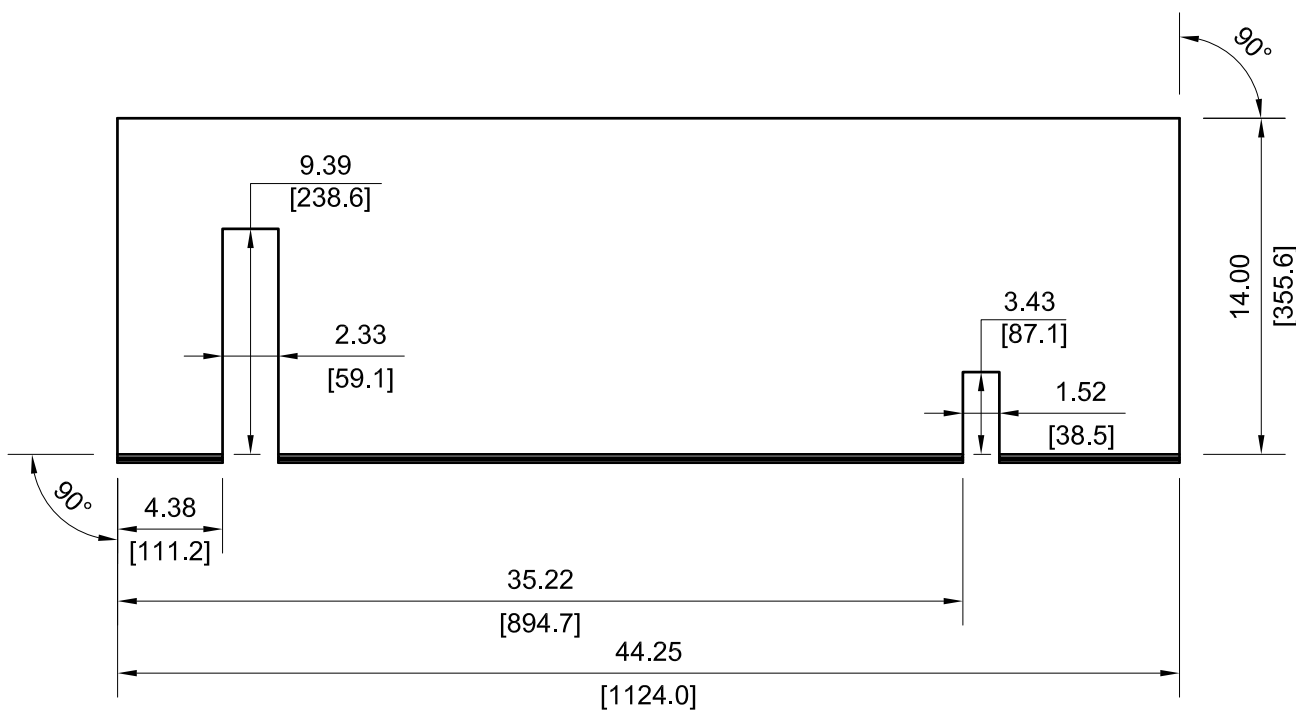
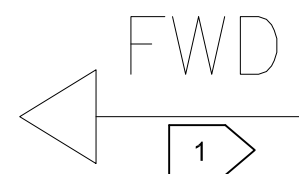
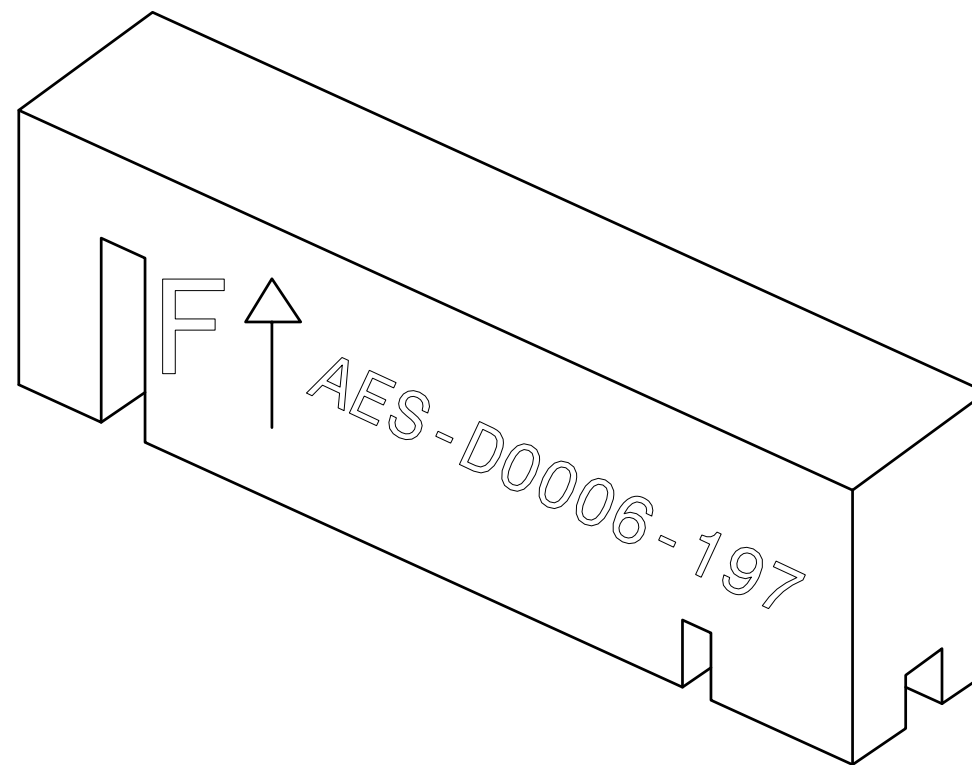
	DRAWING NUMBER				AES-D0006
	SIZE	SCALE	SHEET	OF	REVISION
A3	NONE	94	166	D	

— 195



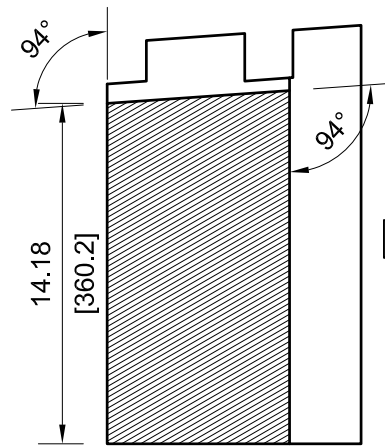
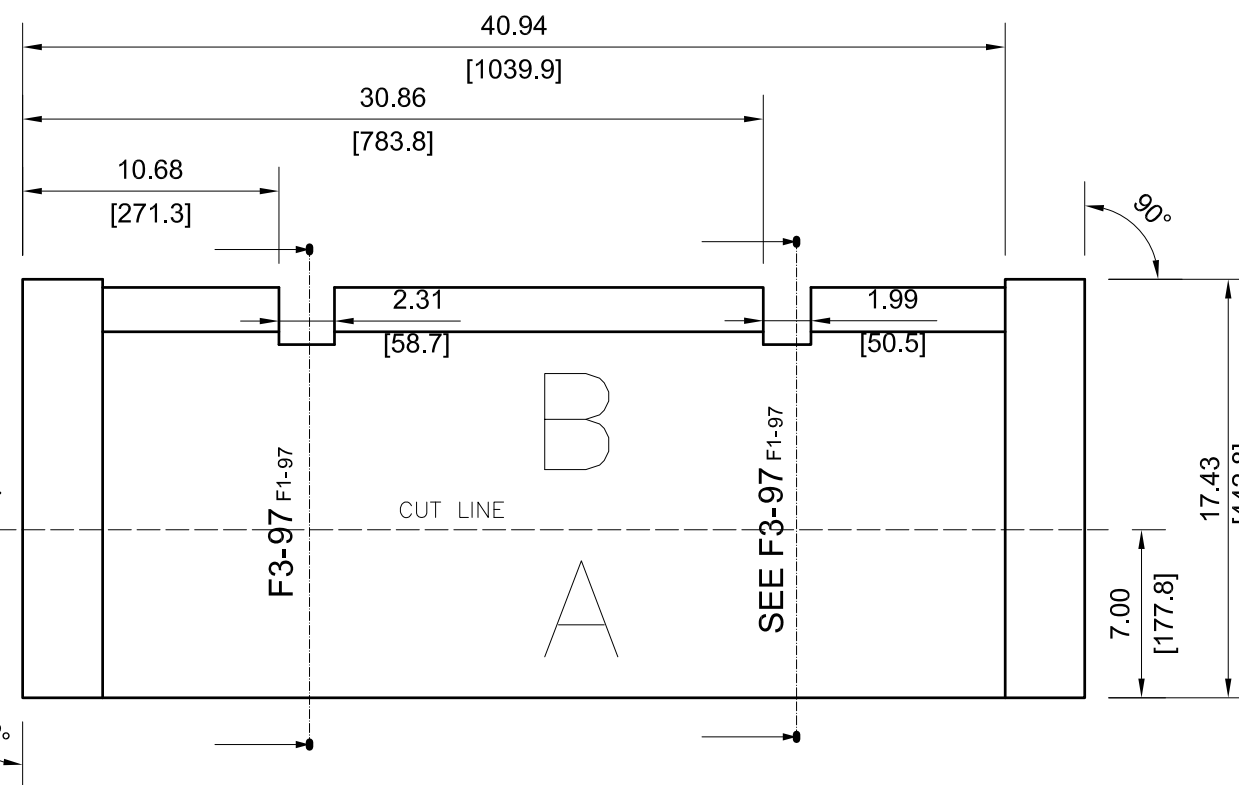
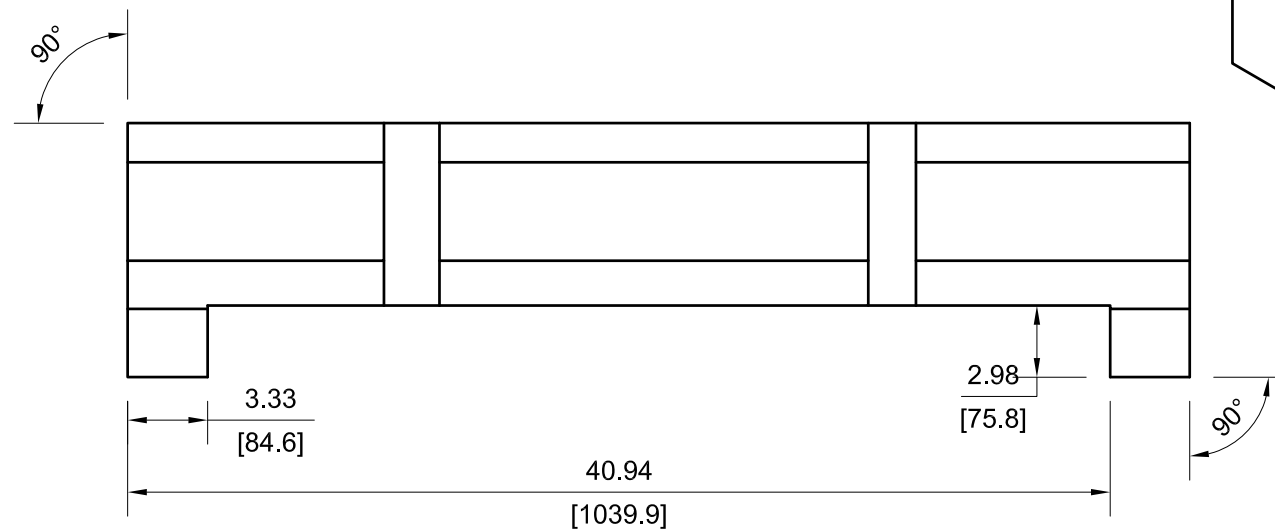
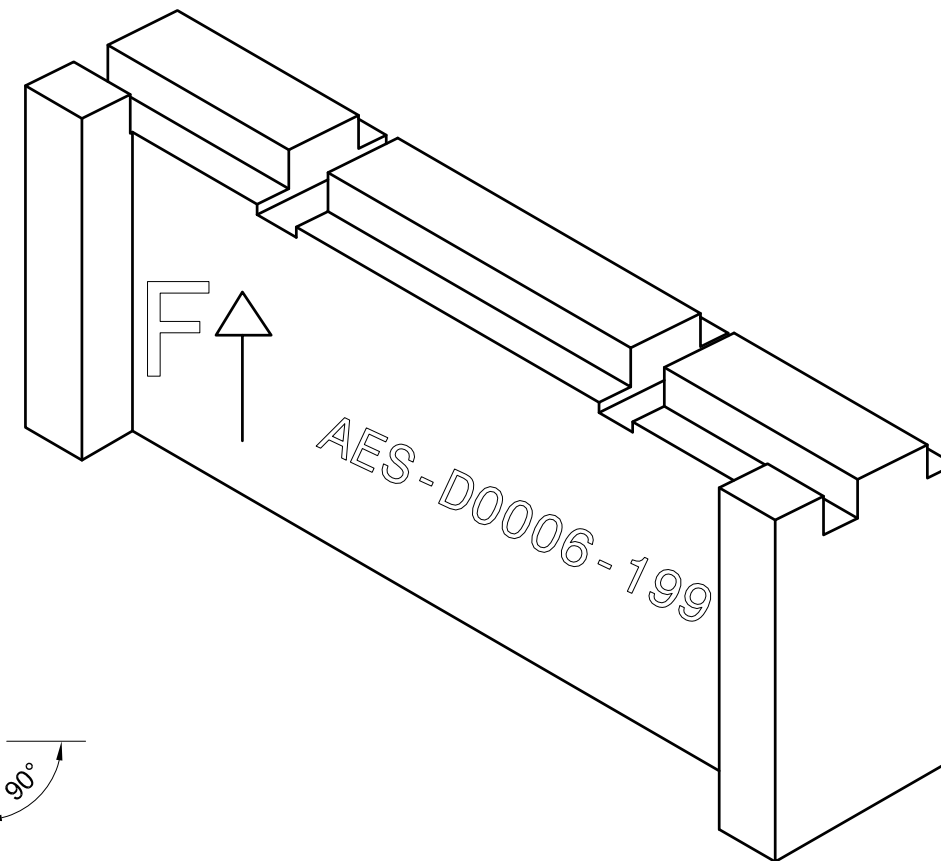
DRAWING NUMBER				
AES-D0006				
SIZE	SCALE	SHEET	OF	REVISION
A3	NONE	95	166	D

197

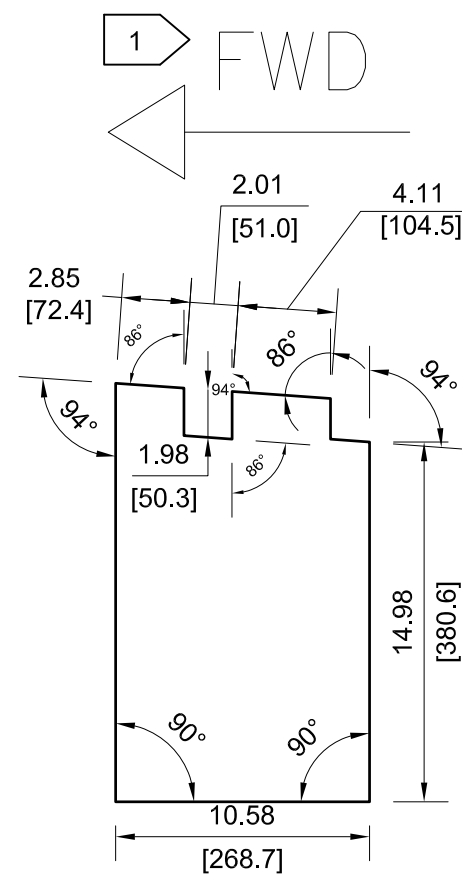


DRAWING NUMBER				
AES-D0006				
SIZE	SCALE	SHEET	OF	REVISION
A3	NONE	96	166	D

199

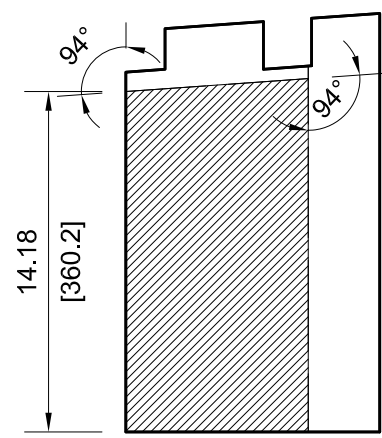
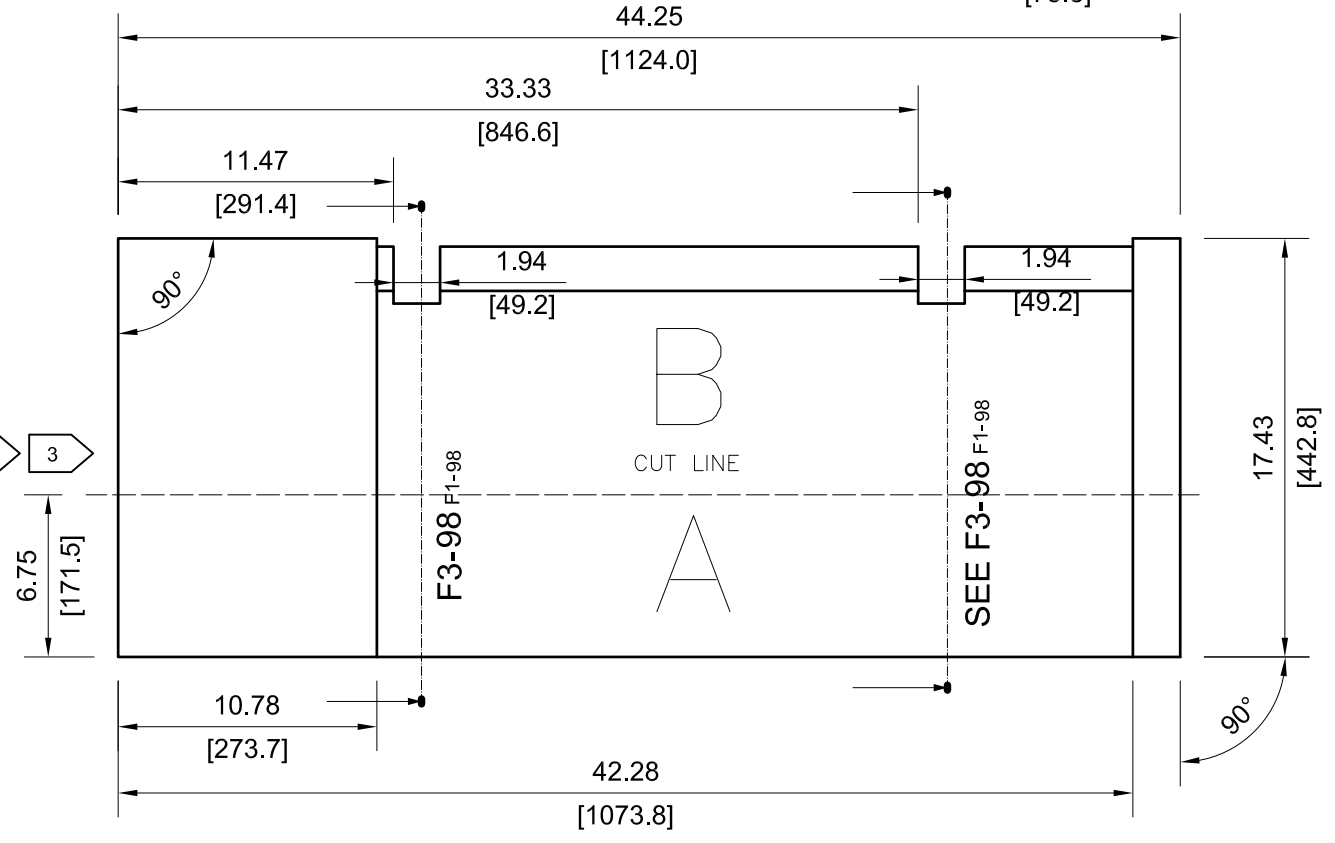
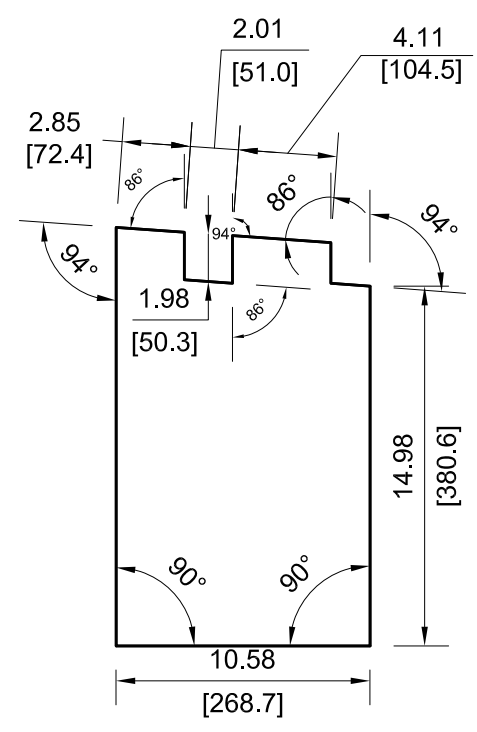
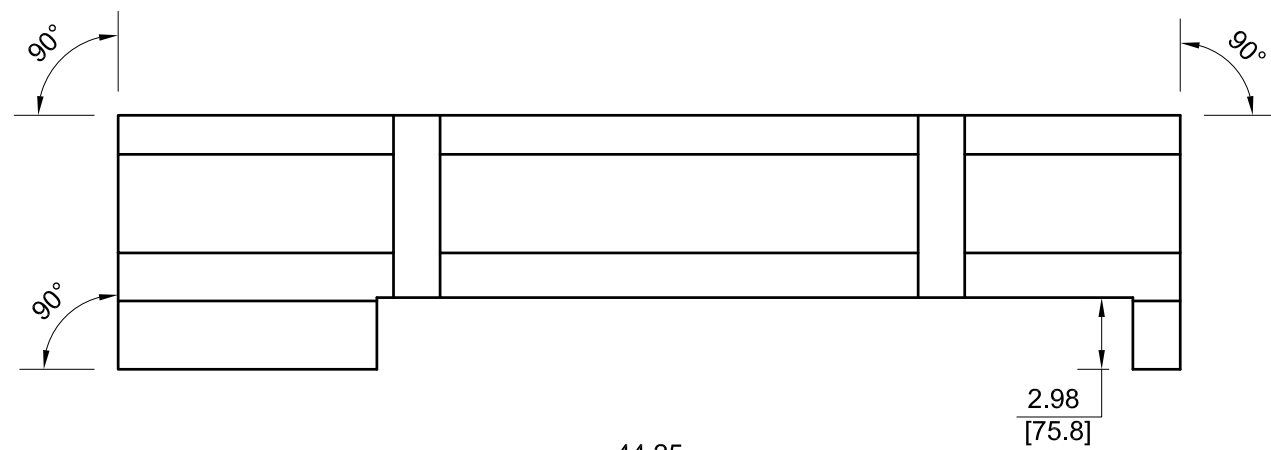
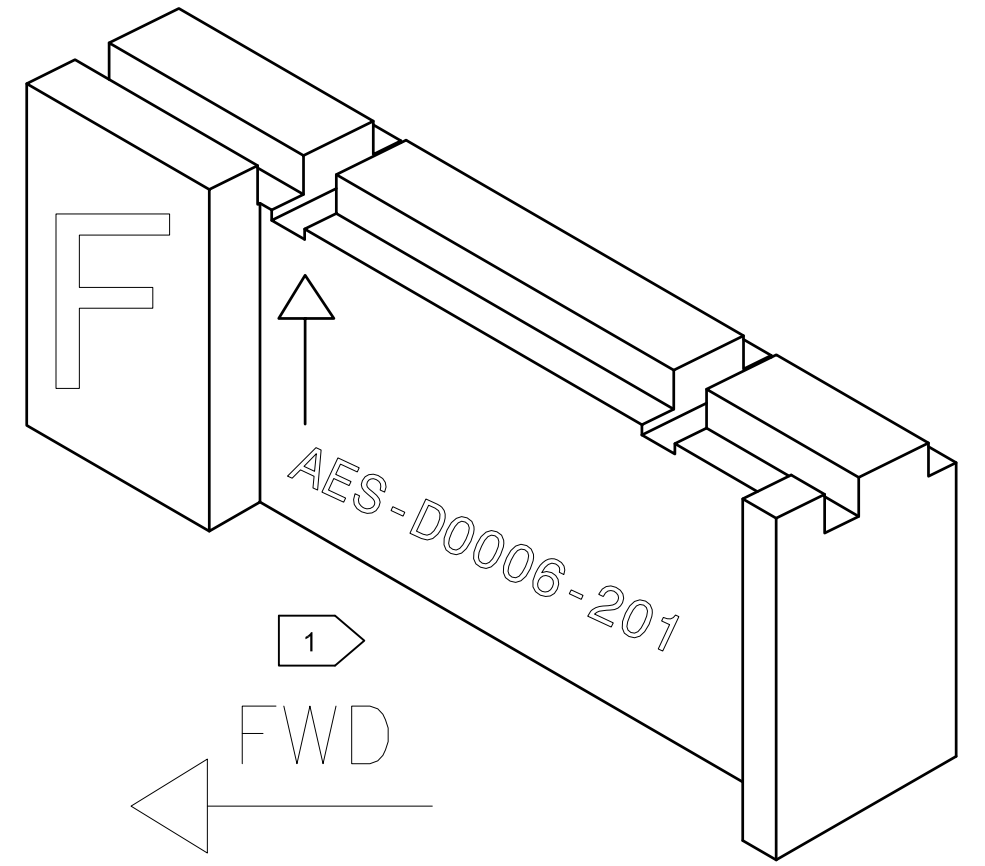


SECTION VIEW F3-97



		DRAWING NUMBER			
		AES-D0006			
SIZE	SCALE	SHEET	OF	REVISION	
A3	NONE	97	166	D	

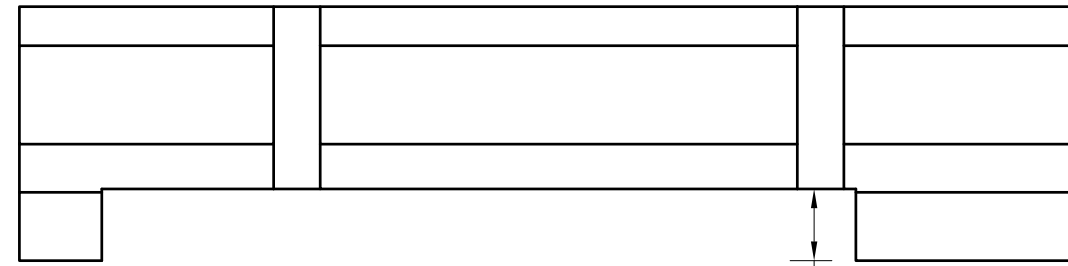
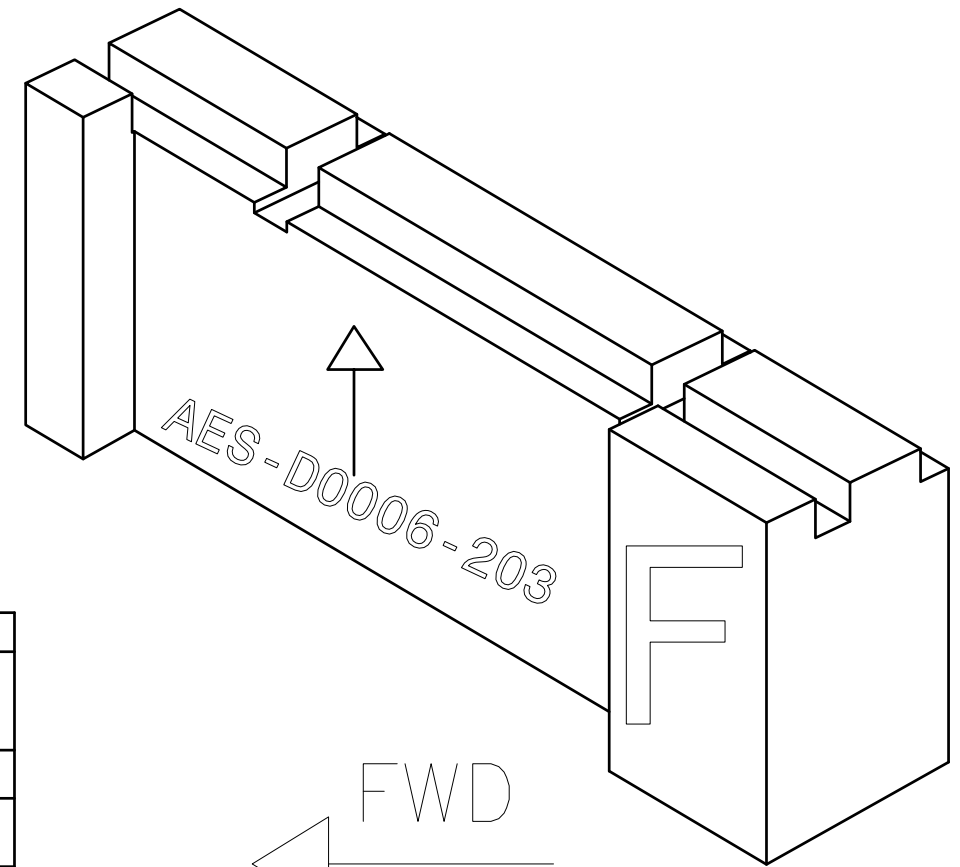
201



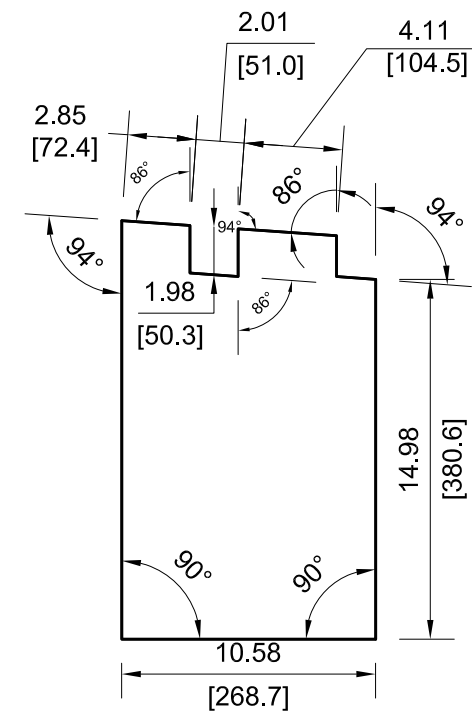
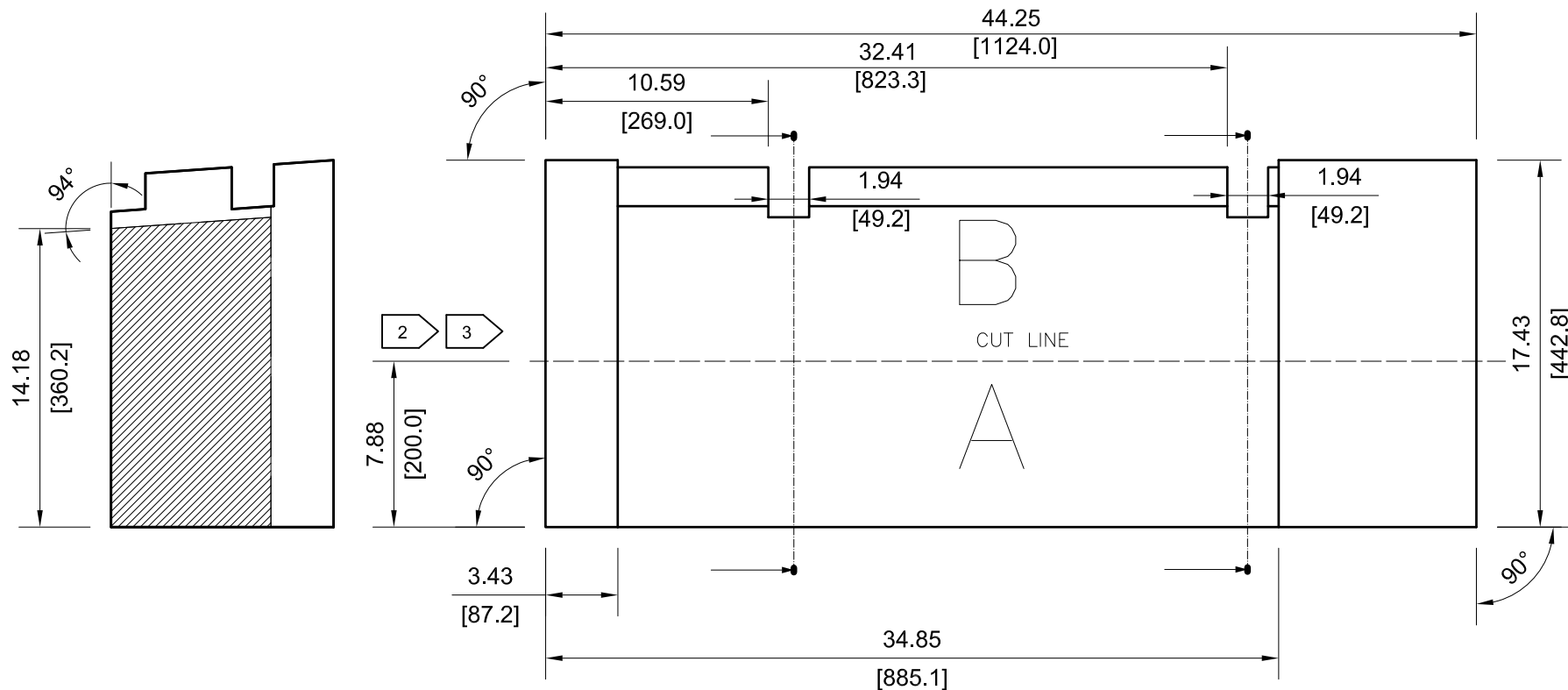
SECTION VIEW F3-98

		DRAWING NUMBER			
		AES-D0006			
SIZE	SCALE	SHEET	OF	REVISION	
A3	NONE	98	166	D	

203

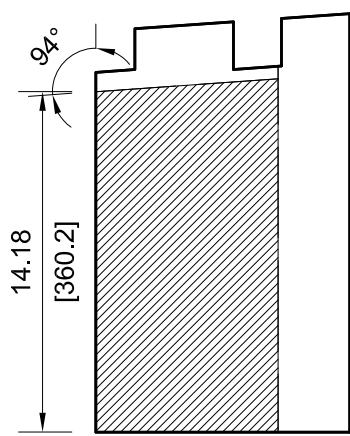
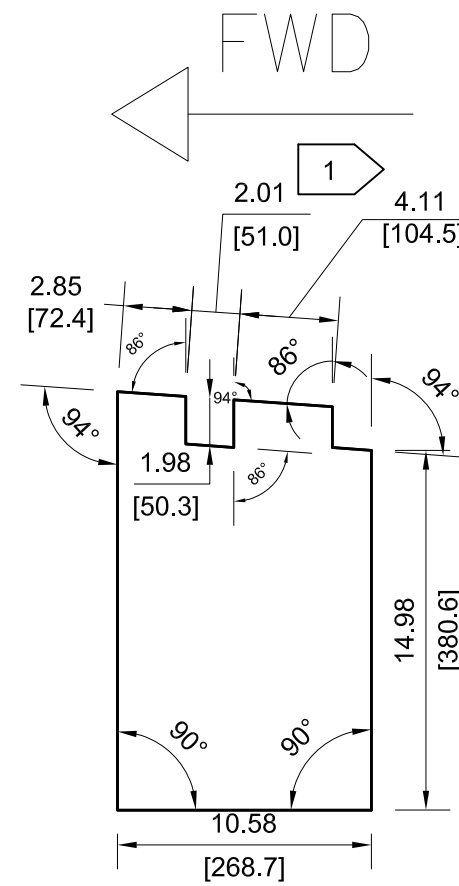
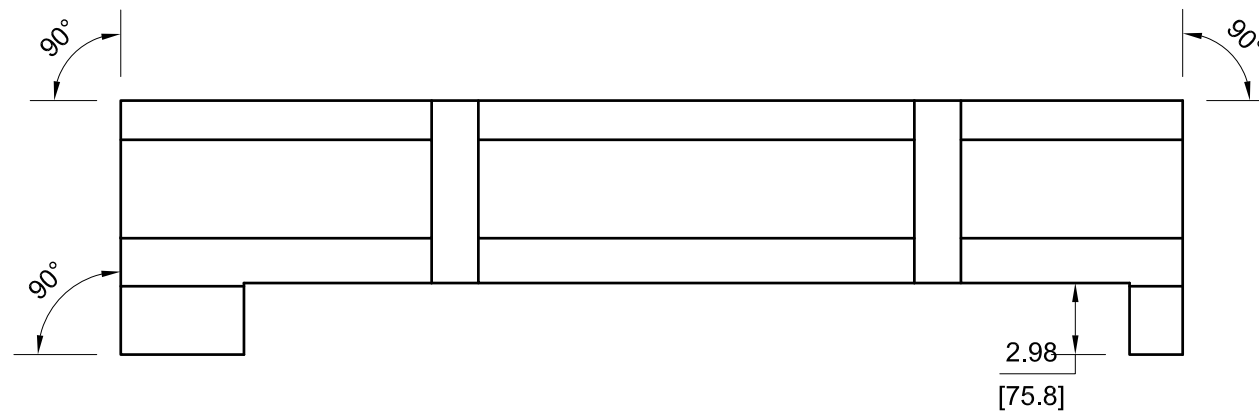
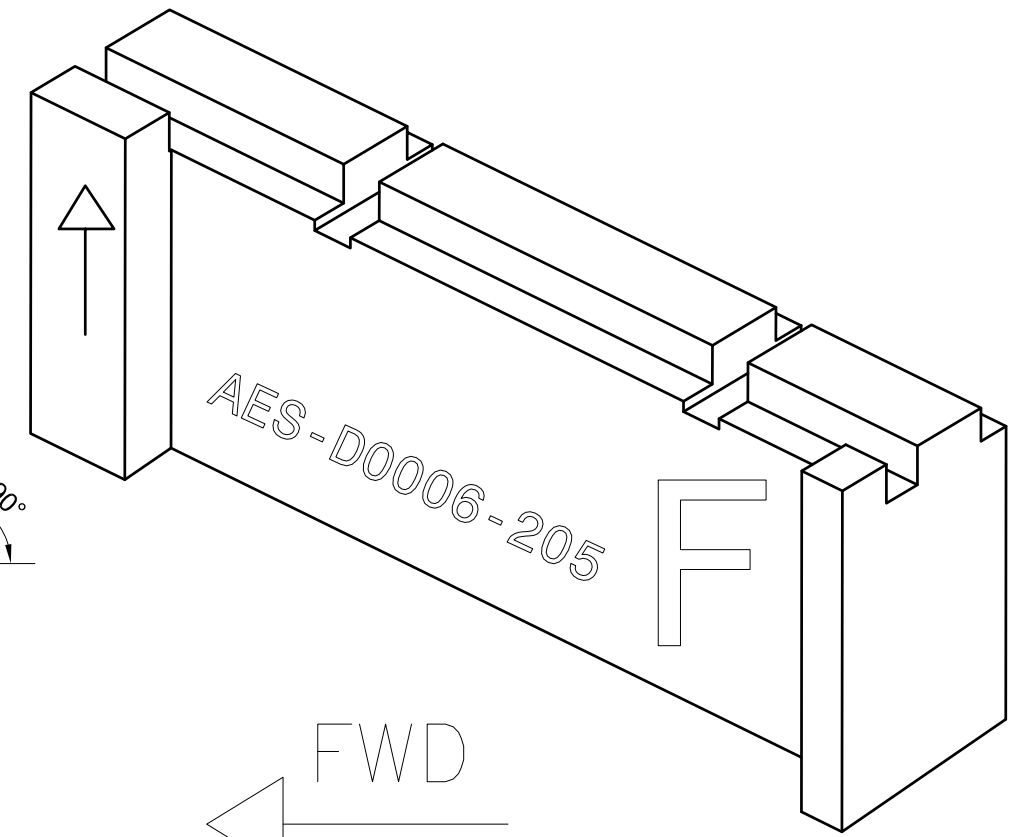


FWD
1

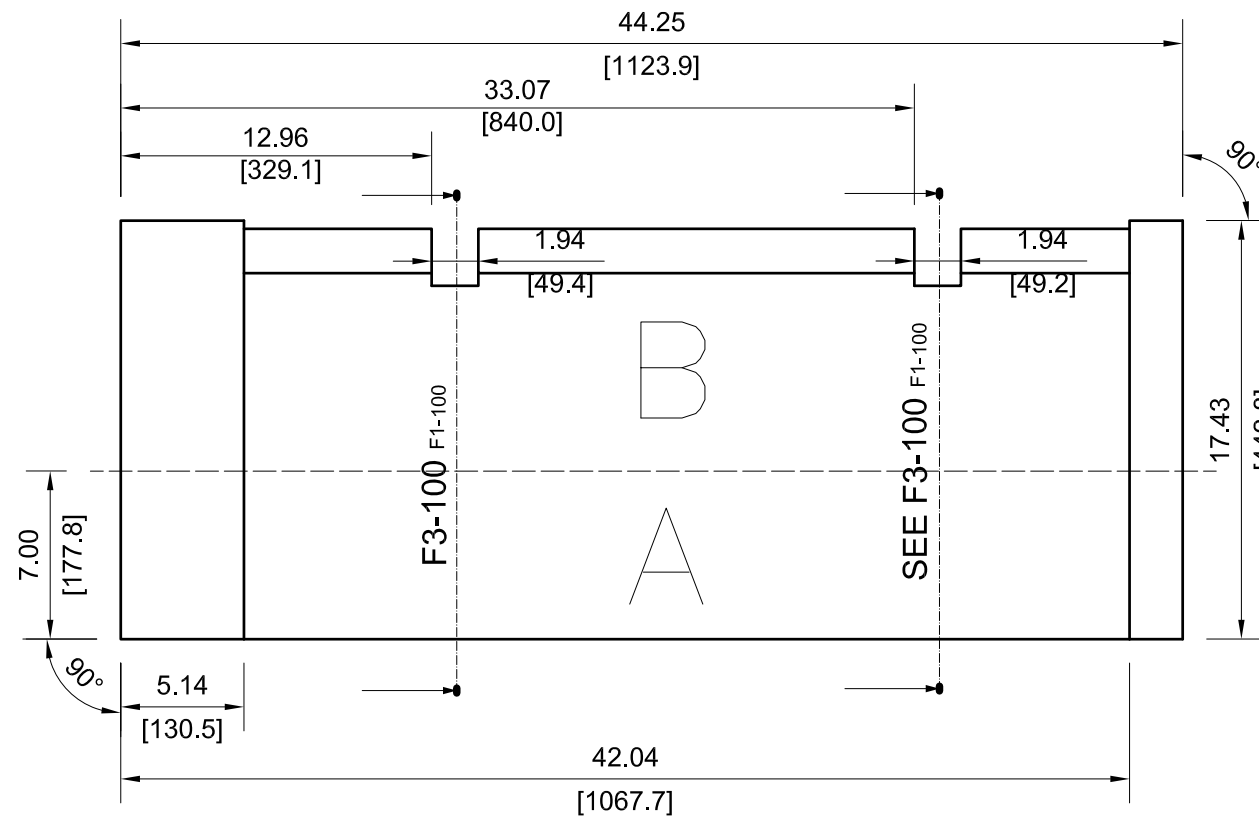


DRAWING NUMBER				
AES-D0006				
SIZE	SCALE	SHEET	OF	REVISION
A3	NONE	99	166	D

— 205

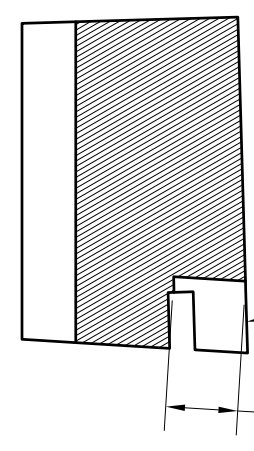
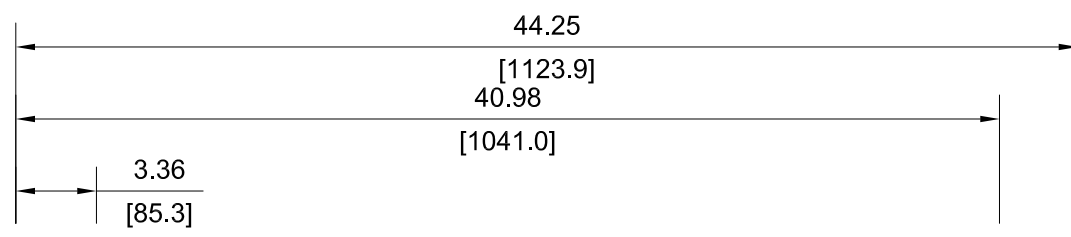
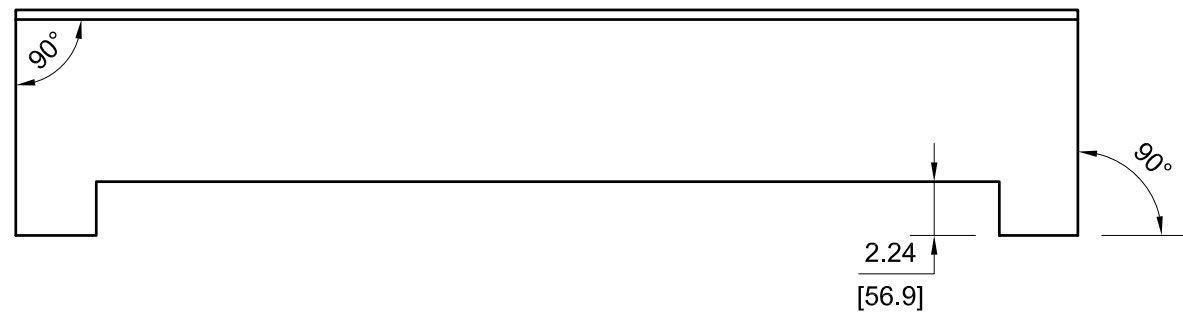
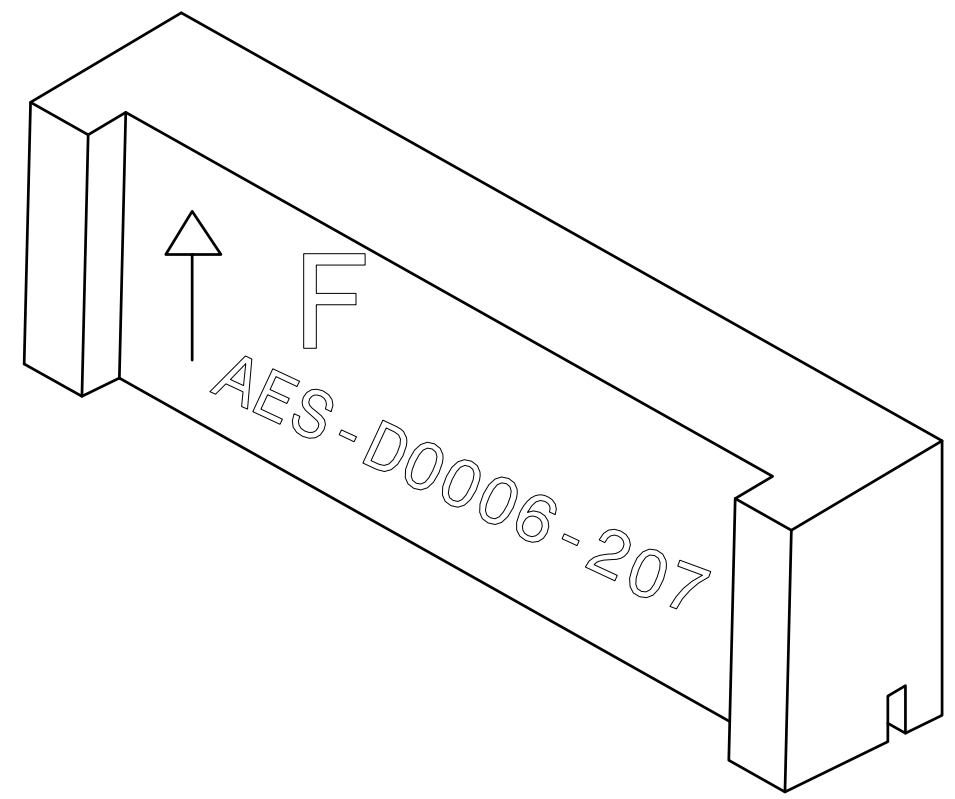


SECTION VIEW F3-100

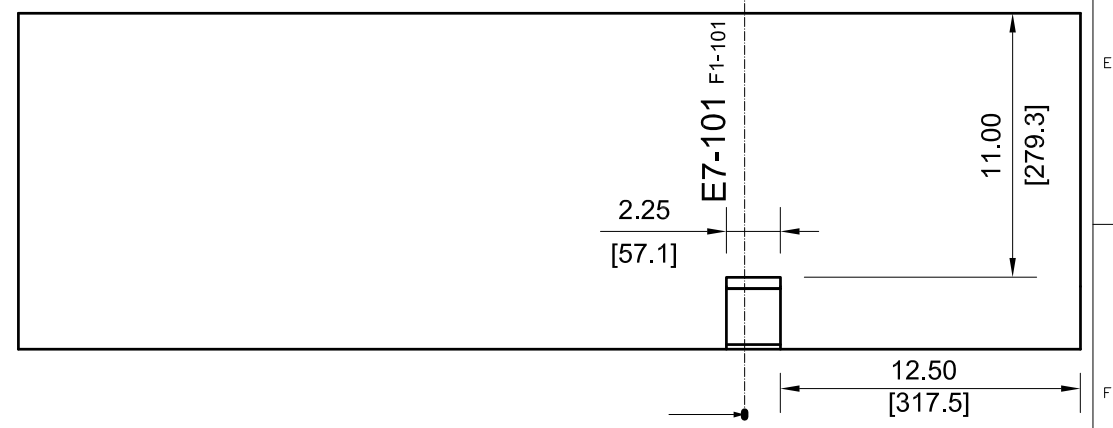
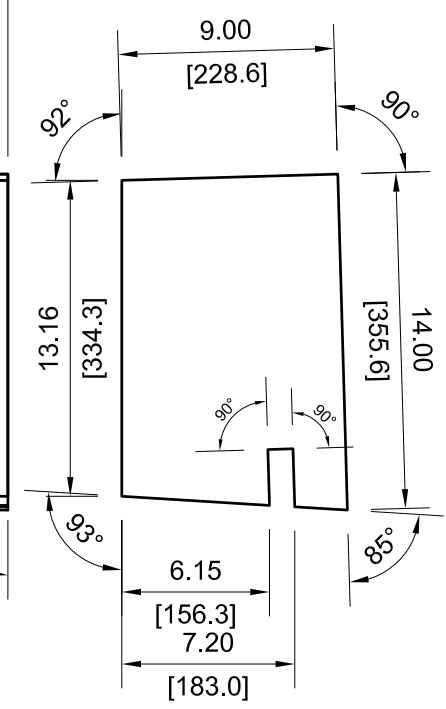
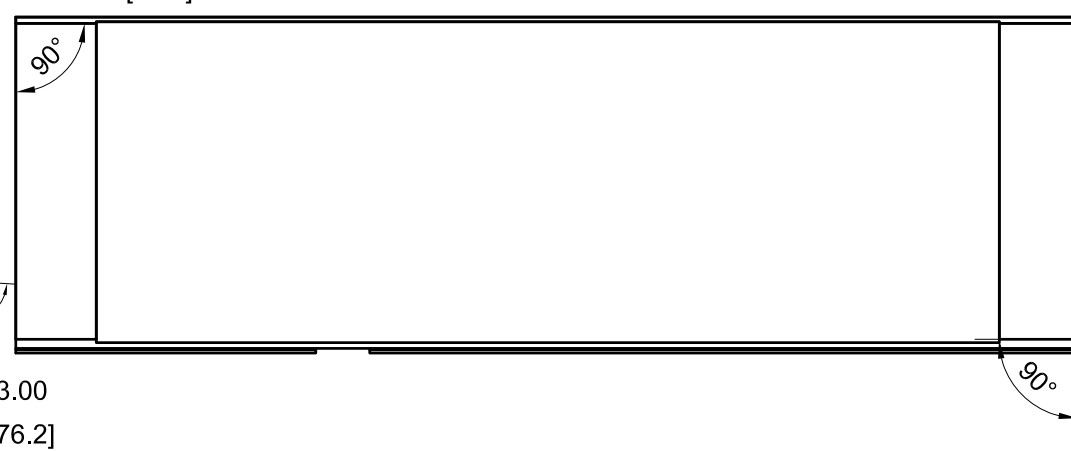


		DRAWING NUMBER			
		AES-D0006			
SIZE	SCALE	SHEET	OF	REVISION	
A3	NONE	100	166	D	

207

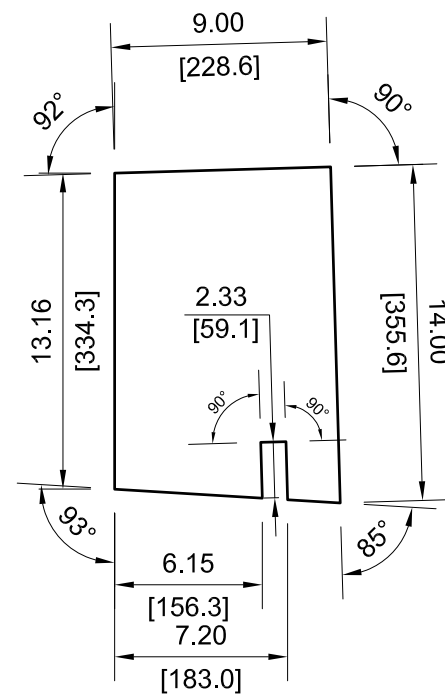
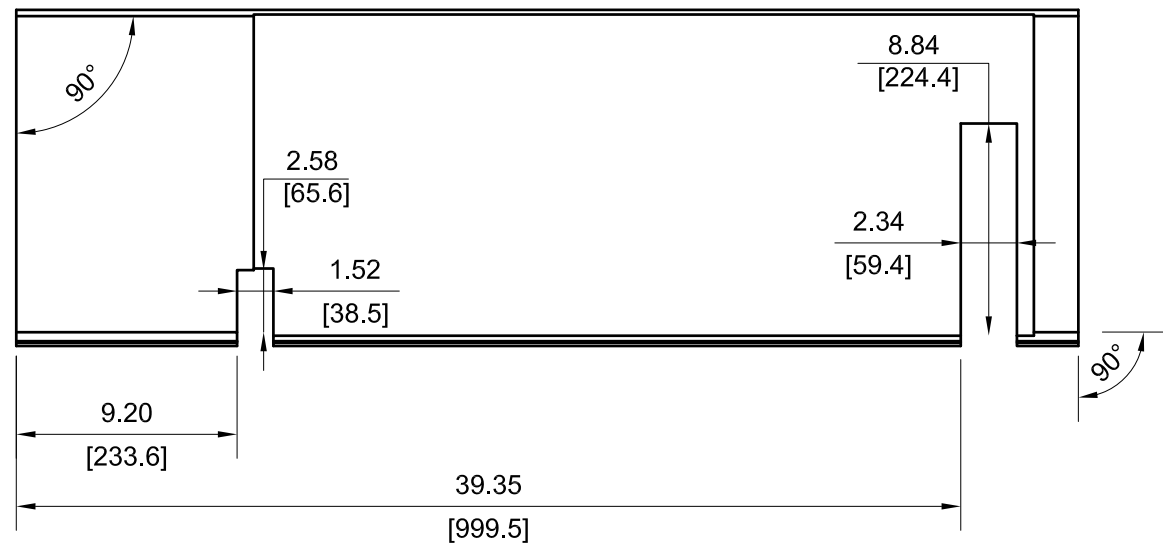
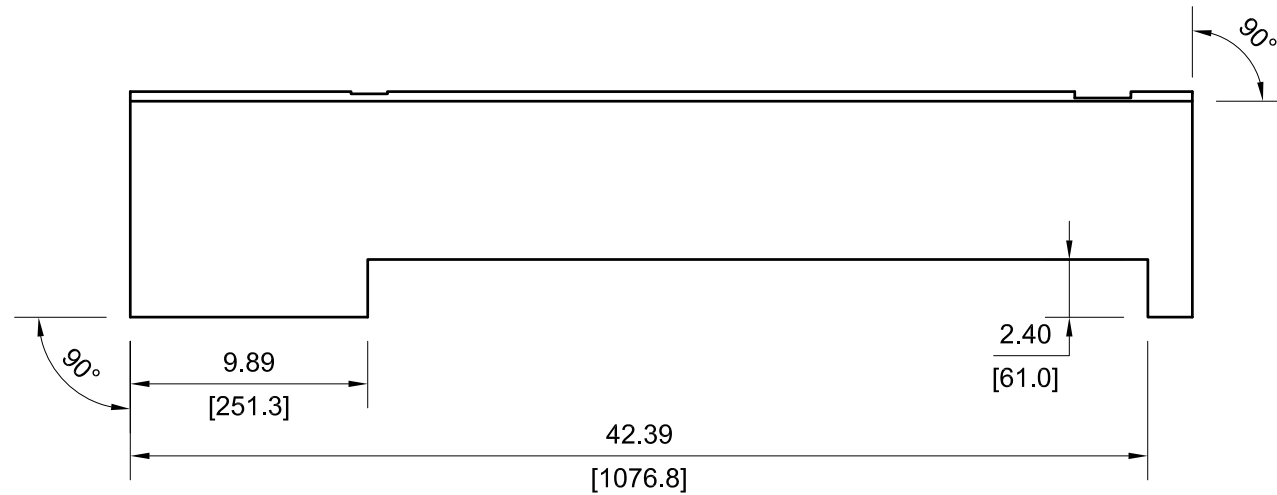
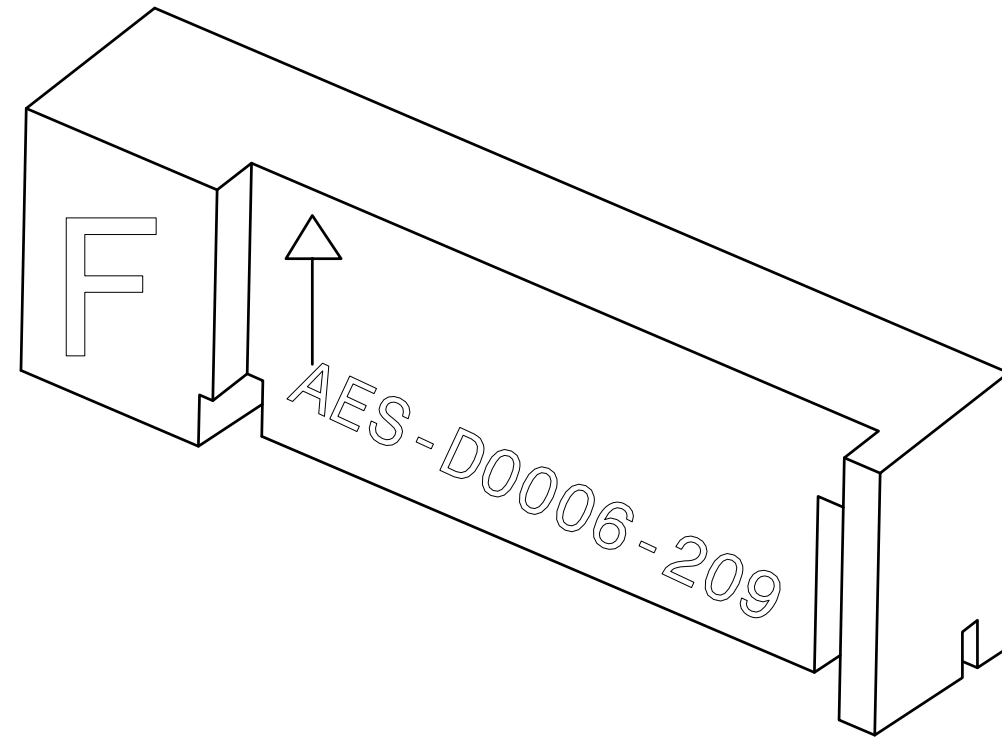


SECTION VIEW E7-101



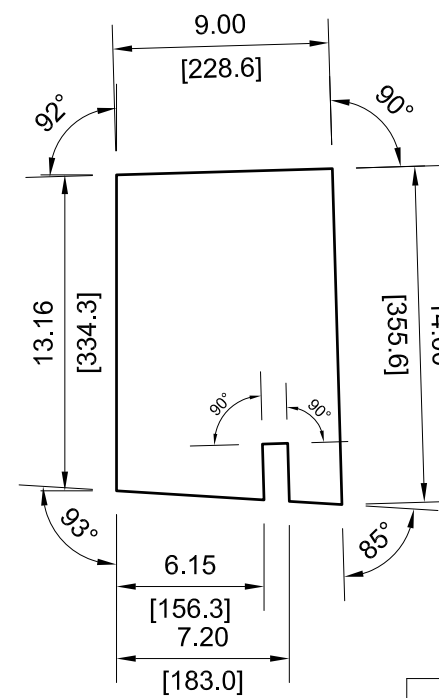
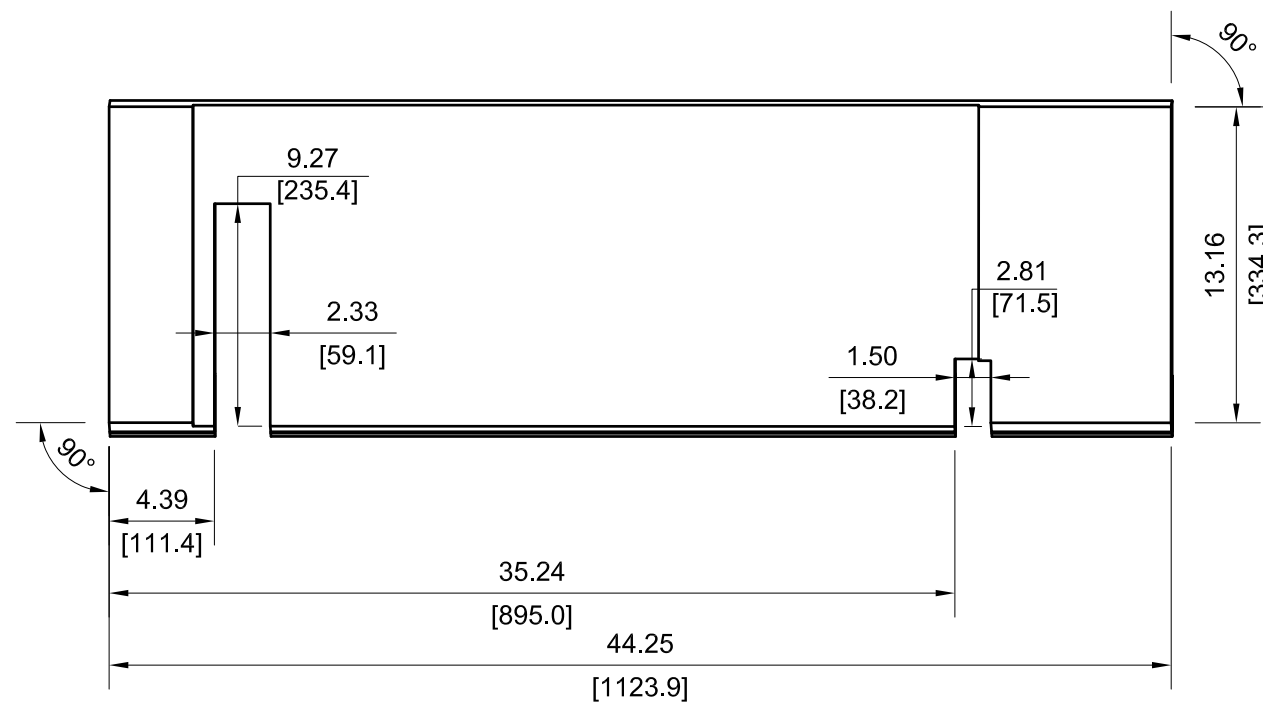
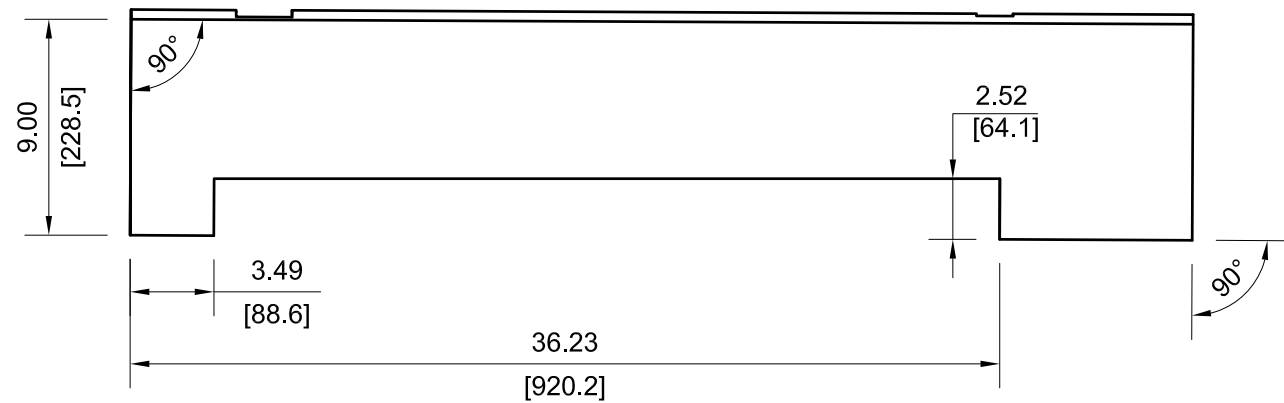
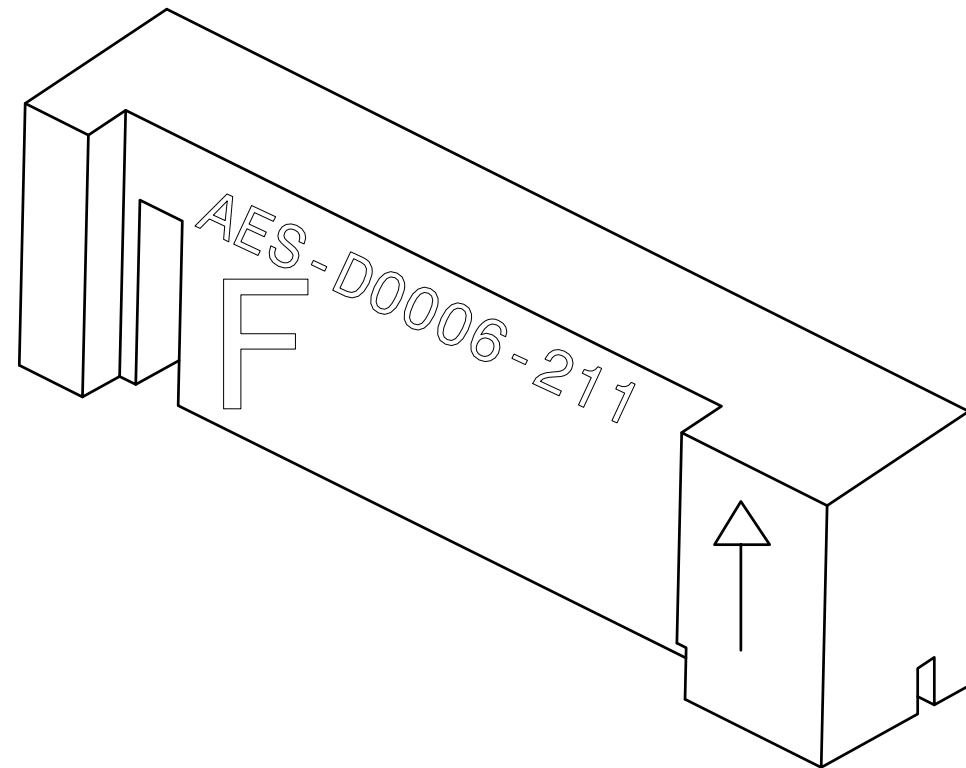
		DRAWING NUMBER			
		AES-D0006			
SIZE	SCALE	SHEET	OF	REVISION	
A3	NONE	101	166	D	

— 2009



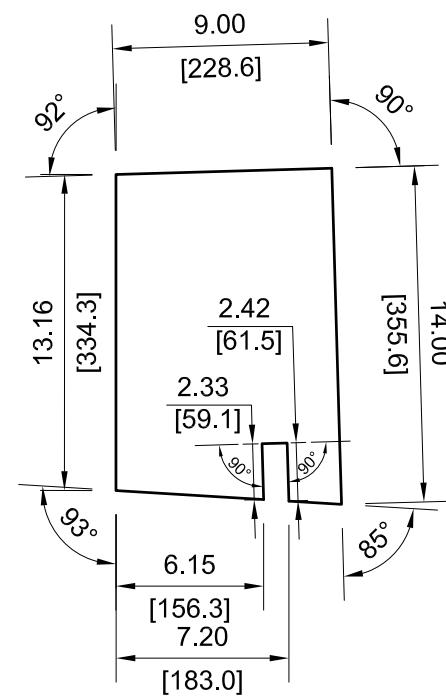
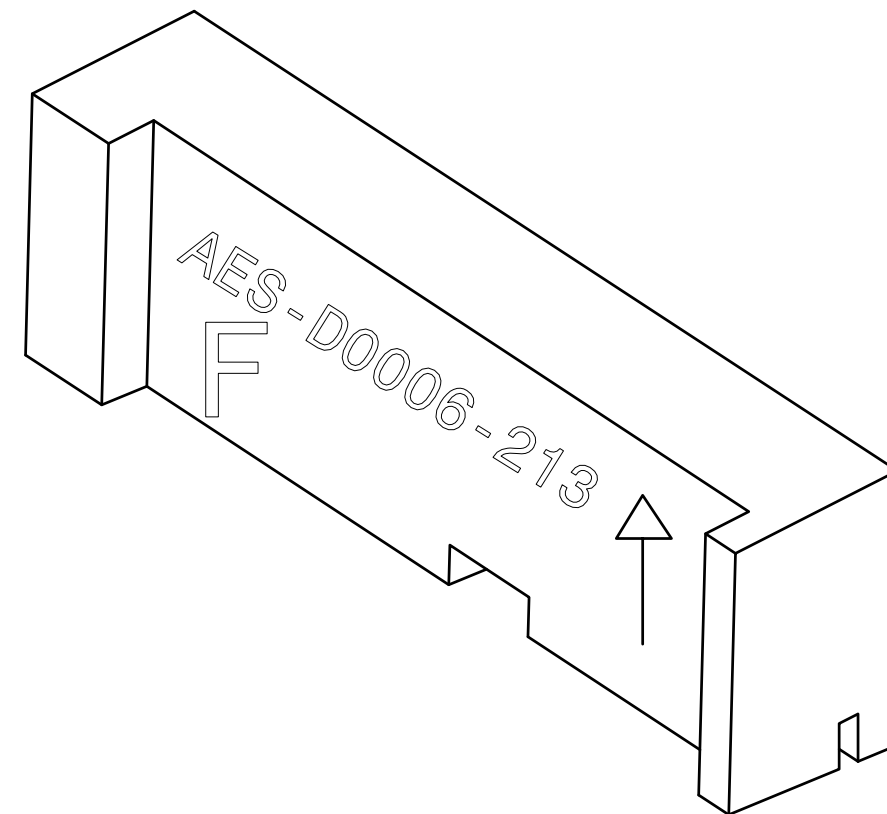
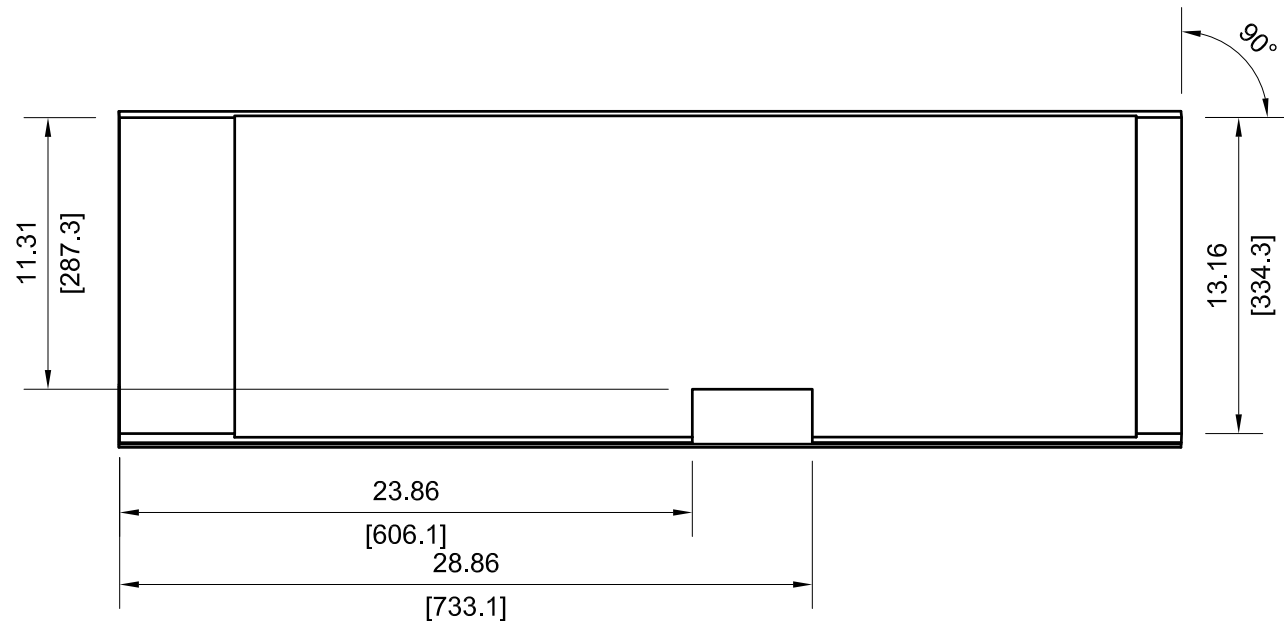
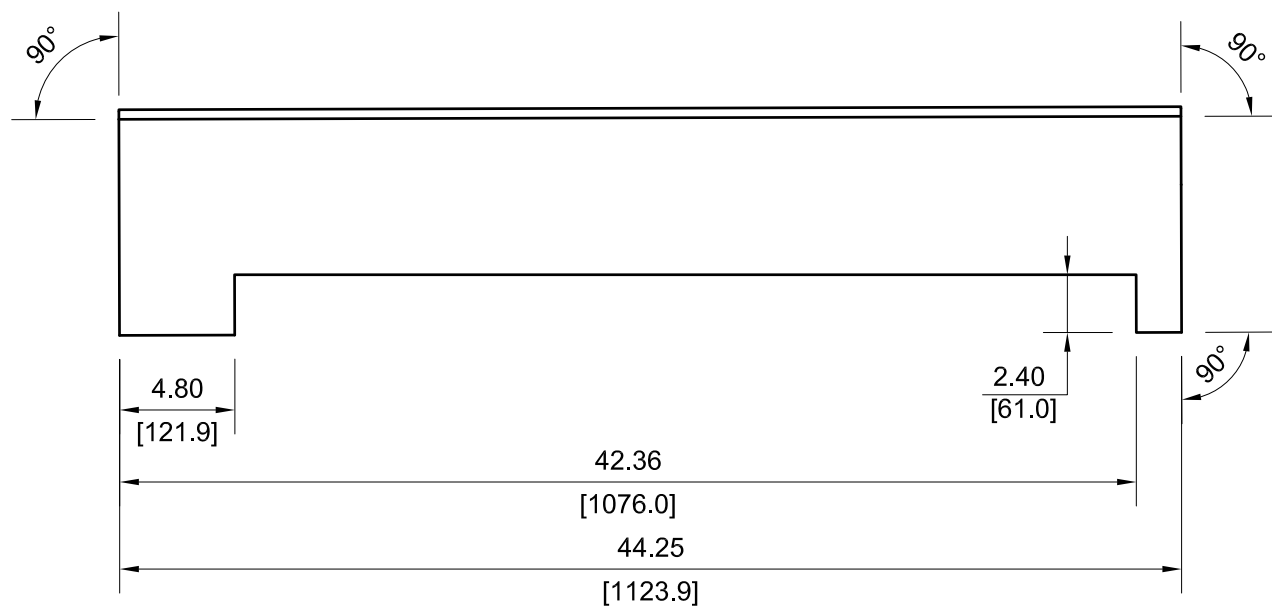
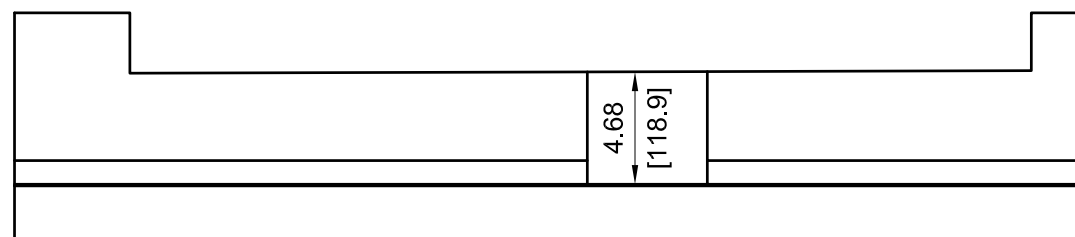
DRAWING NUMBER				
AES-D0006				
SIZE	SCALE	SHEET	OF	REVISION
A3	NONE	102	166	D

211



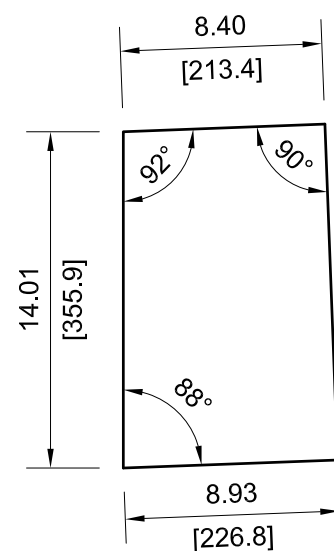
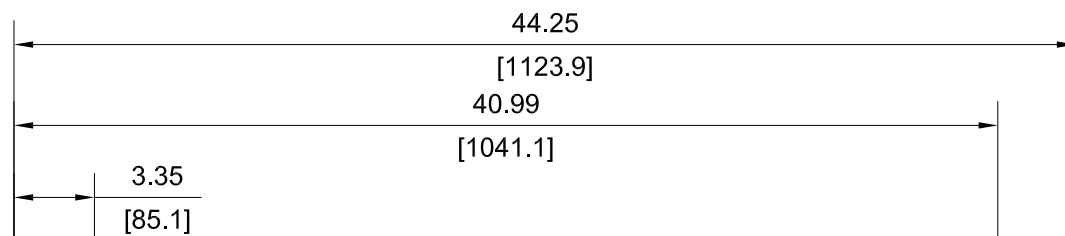
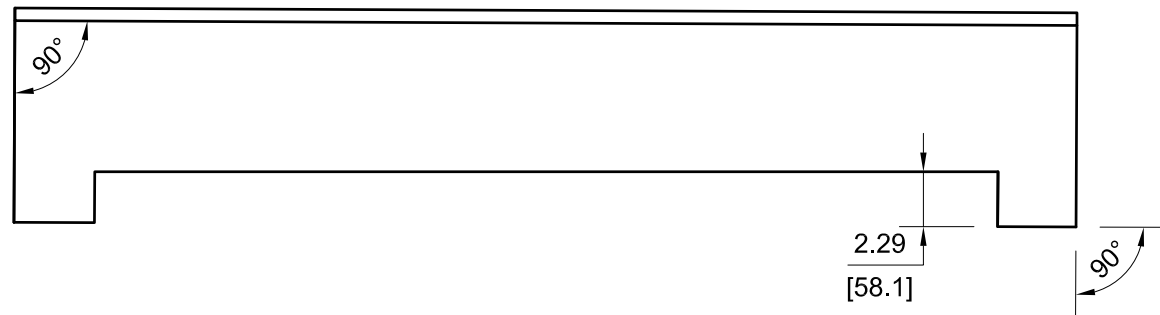
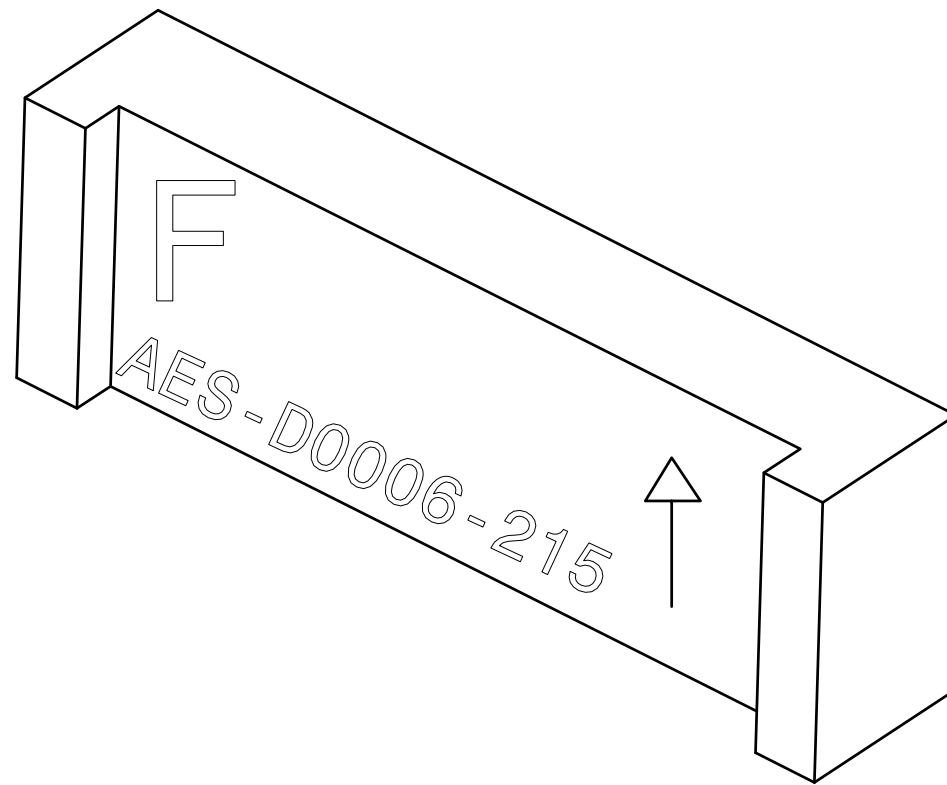
DRAWING NUMBER				
AES-D0006				
SIZE	SCALE	SHEET	OF	REVISION
A3	NONE	103	166	D


213



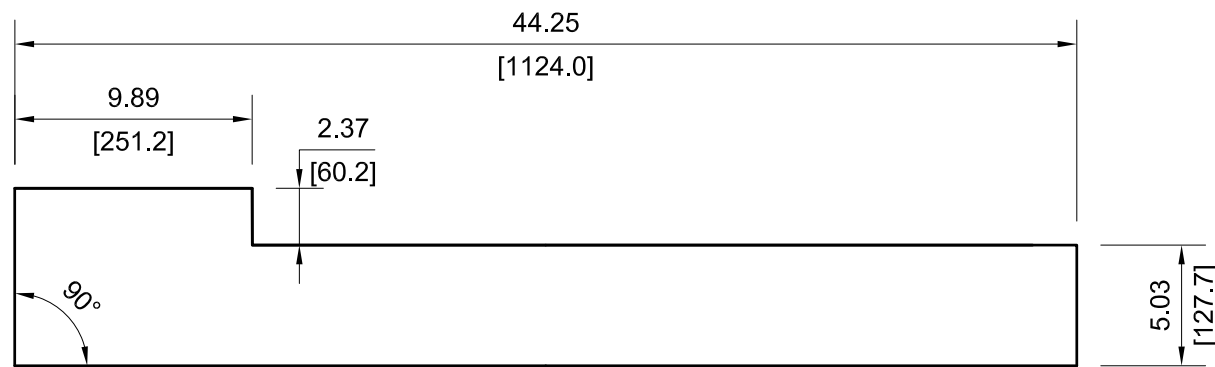
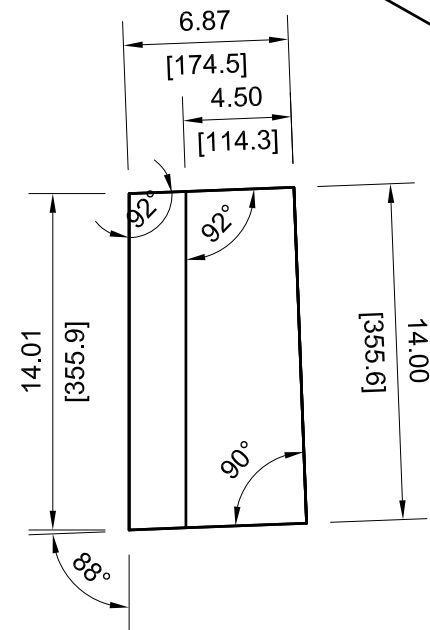
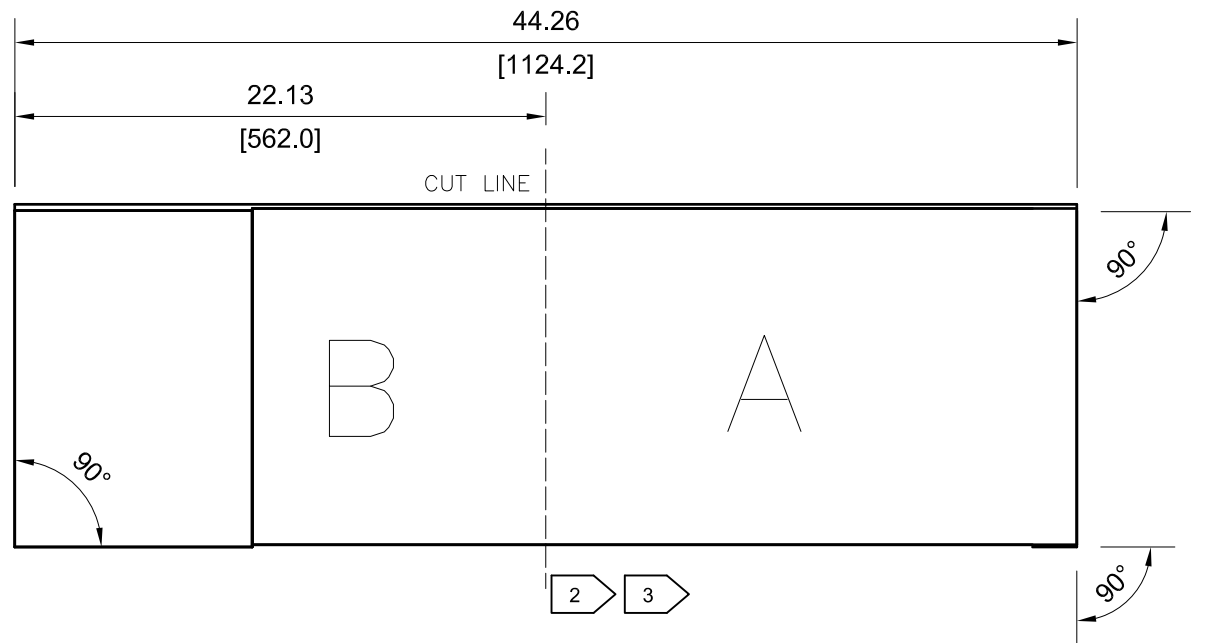
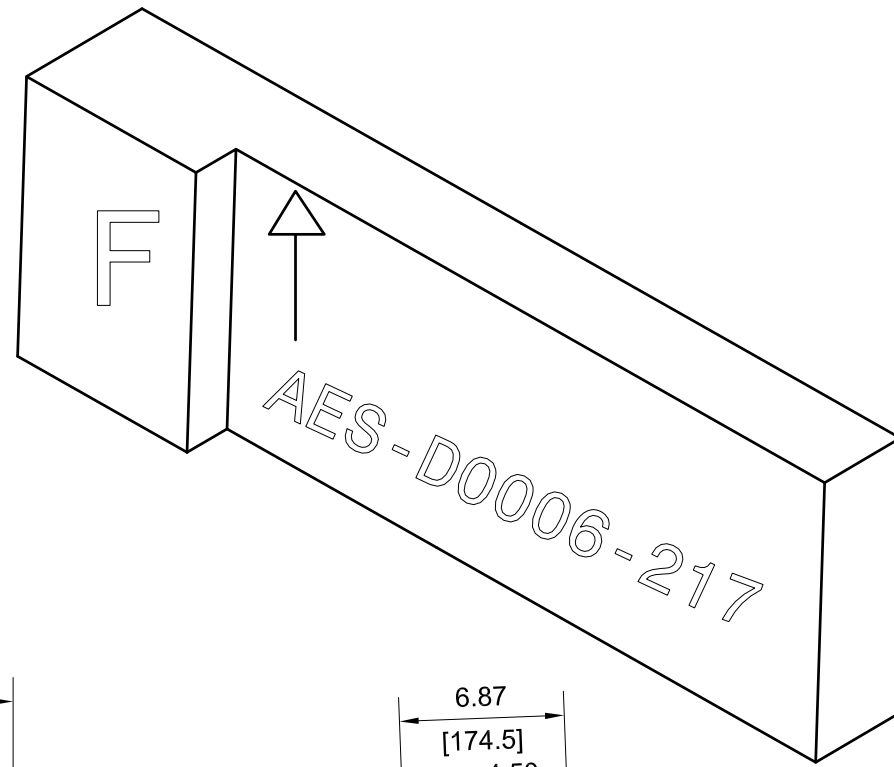
DRAWING NUMBER				
AES-D0006				
SIZE	SCALE	SHEET	OF	REVISION
A3	NONE	104	166	D

- 215



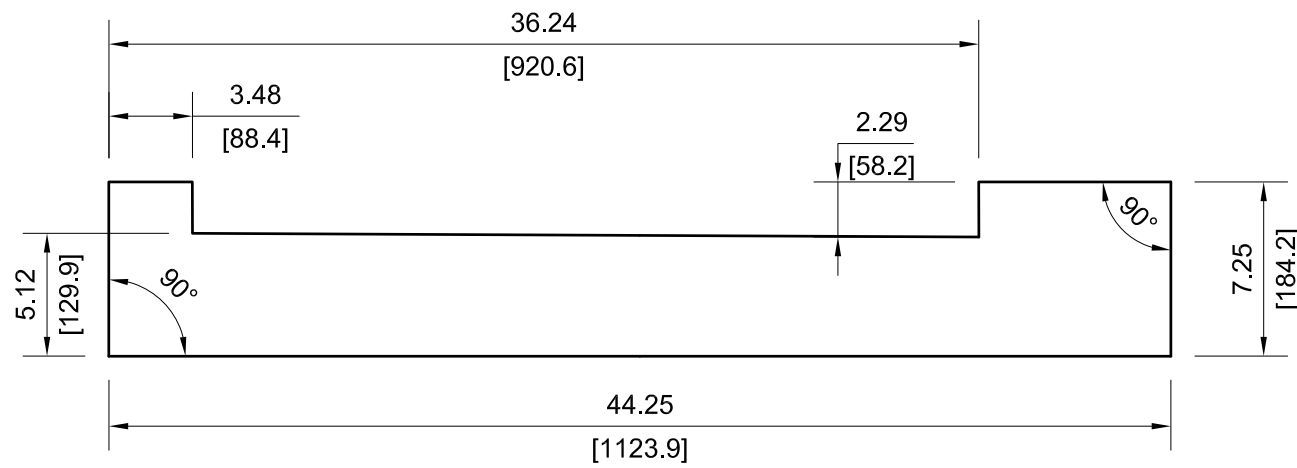
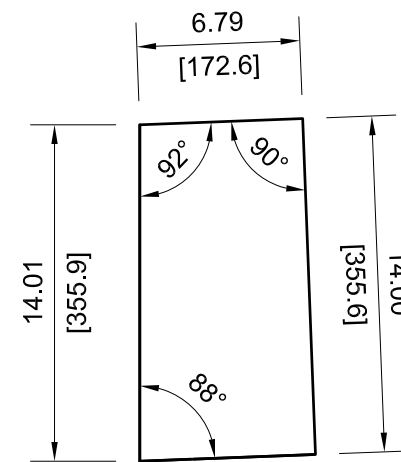
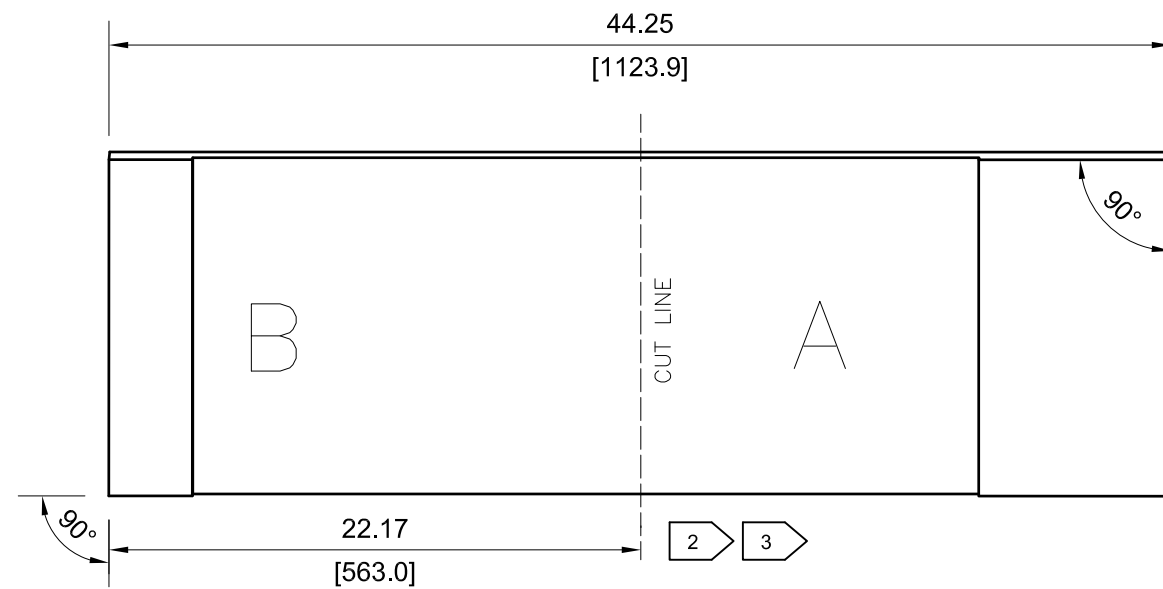
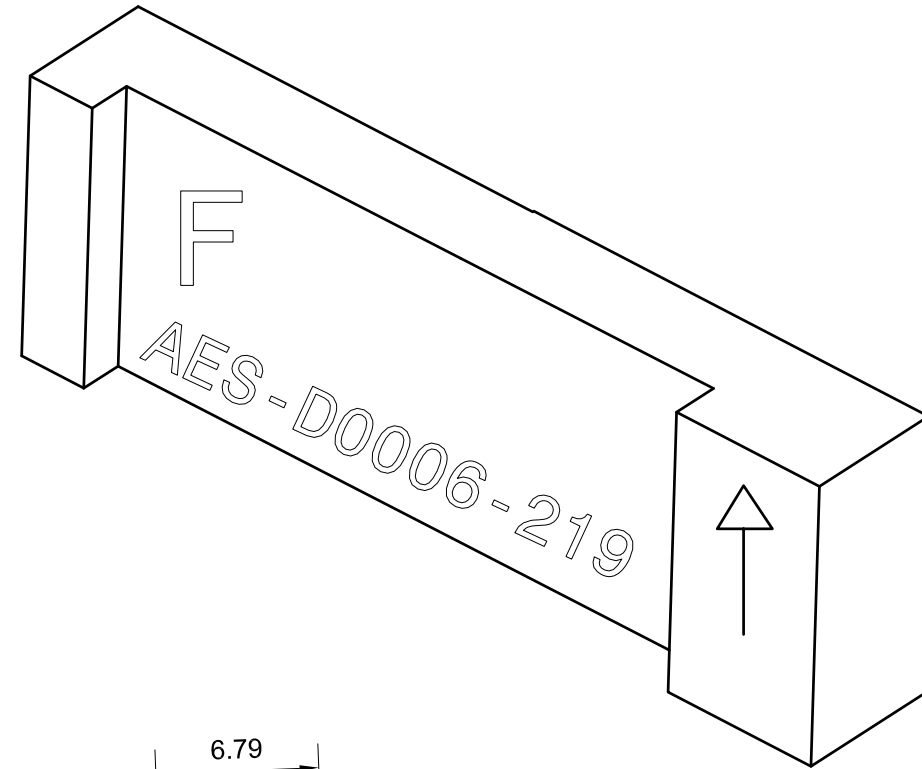
	DRAWING NUMBER				AES-D0006
	SIZE	SCALE	SHEET	OF	REVISION
A3	NONE	105	166	D	

-217



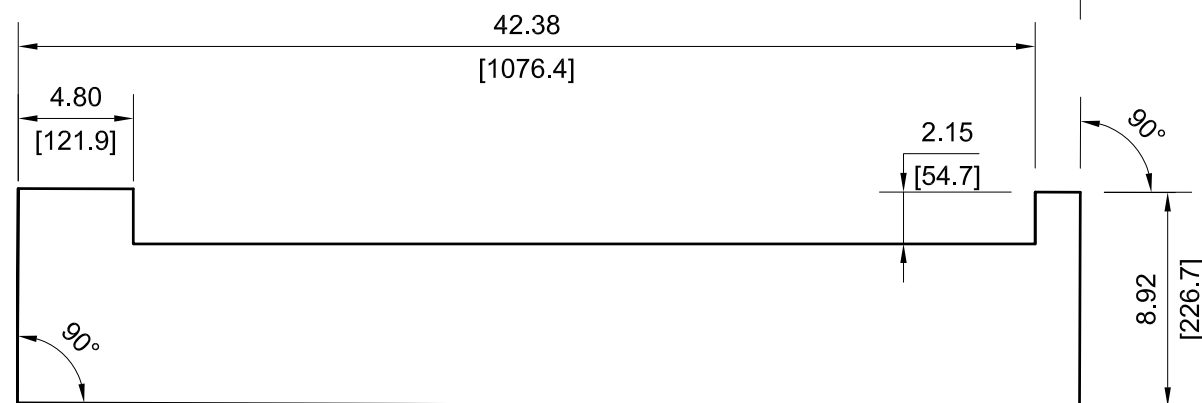
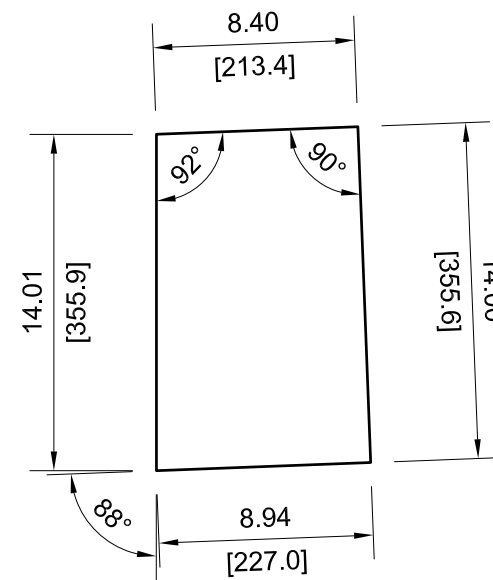
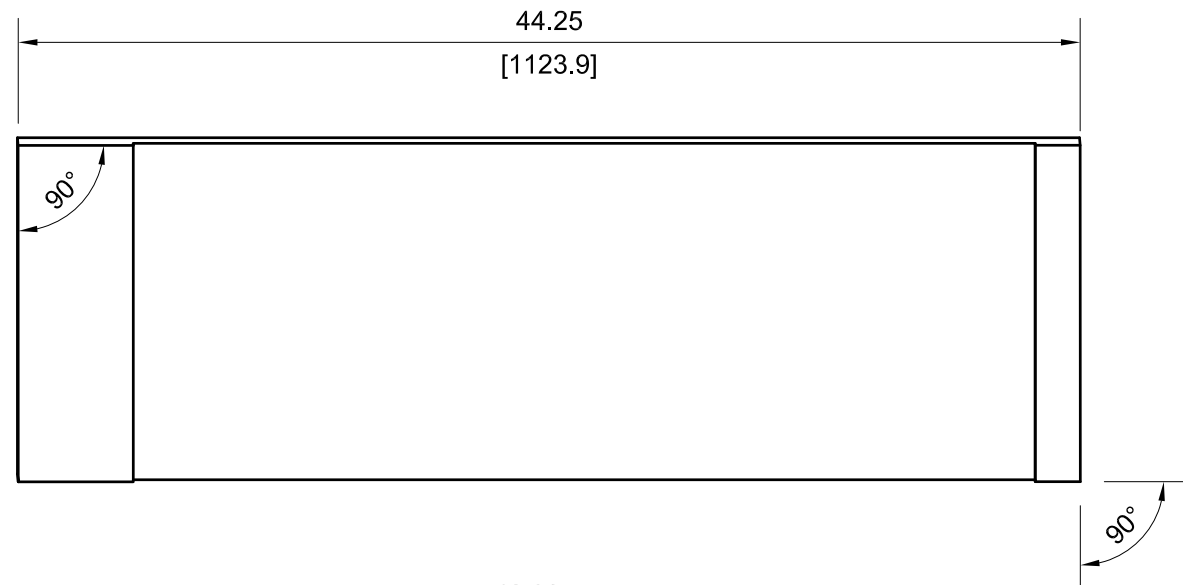
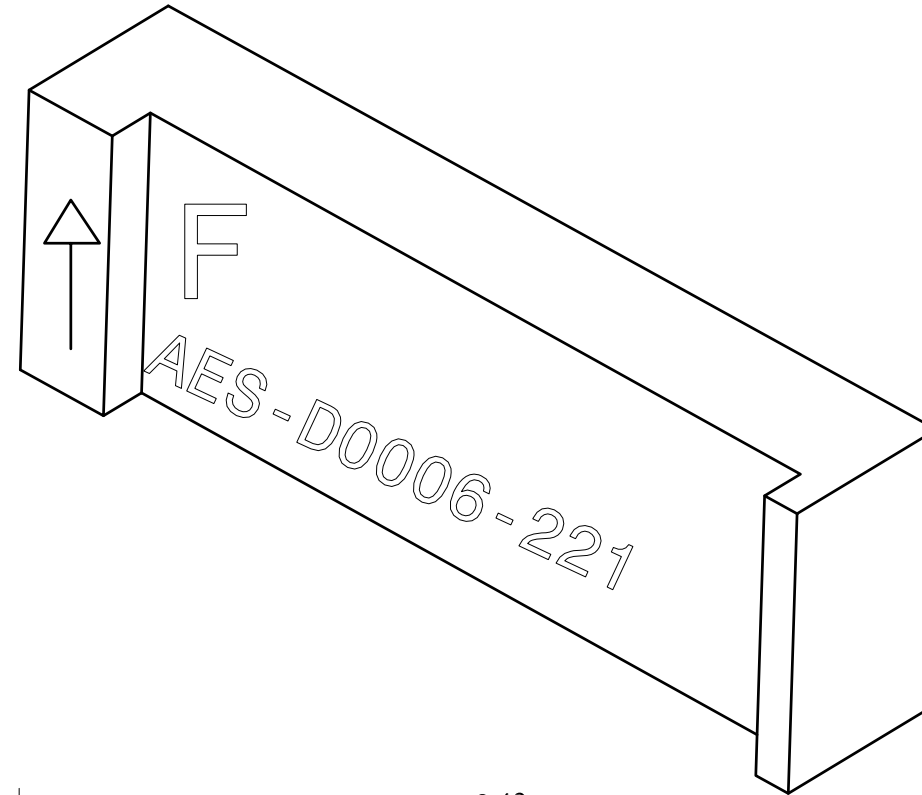
DRAWING NUMBER				
AES-D0006				
SIZE	SCALE	SHEET	OF	REVISION
A3	NONE	106	166	D

— 219



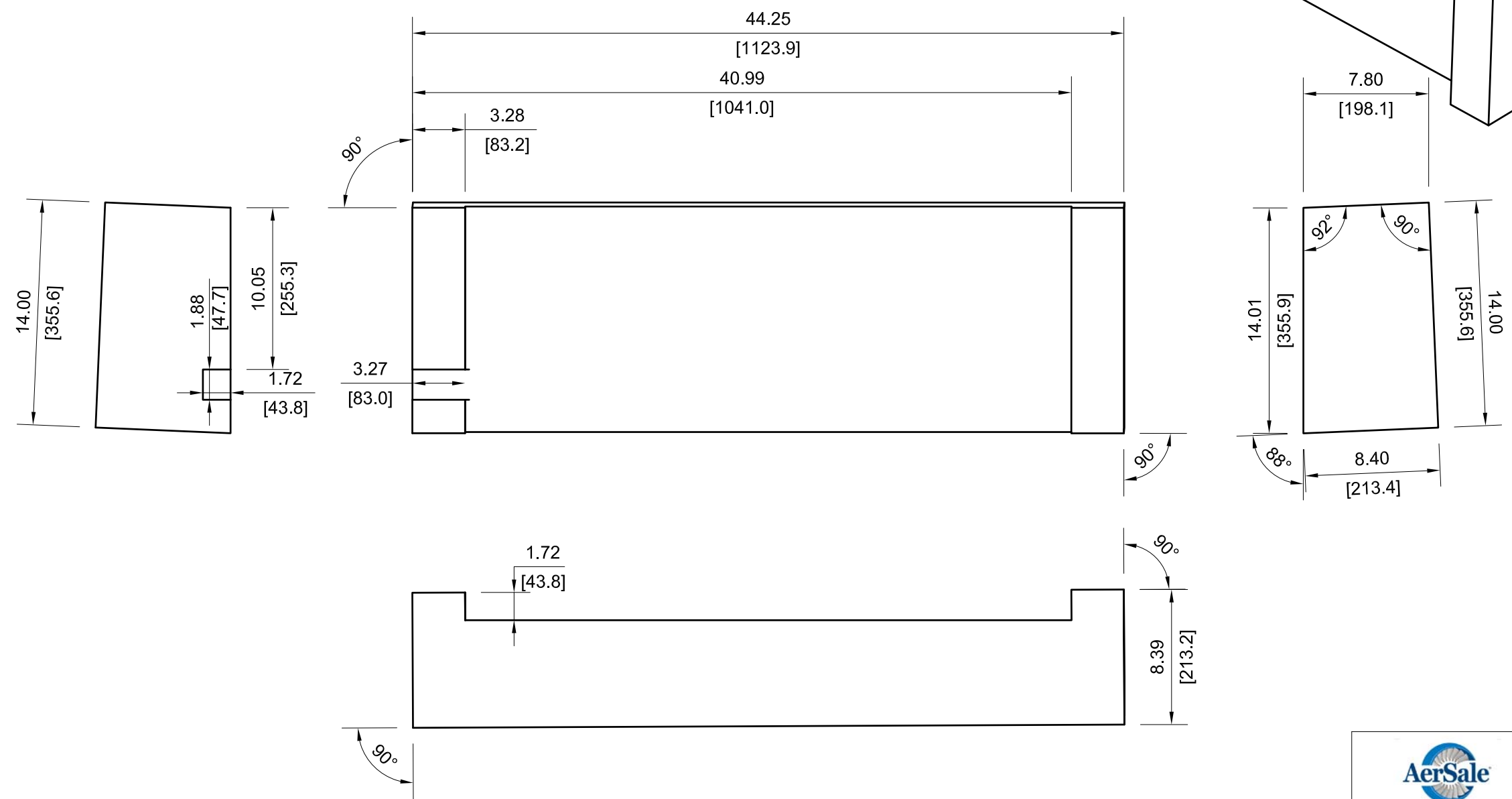
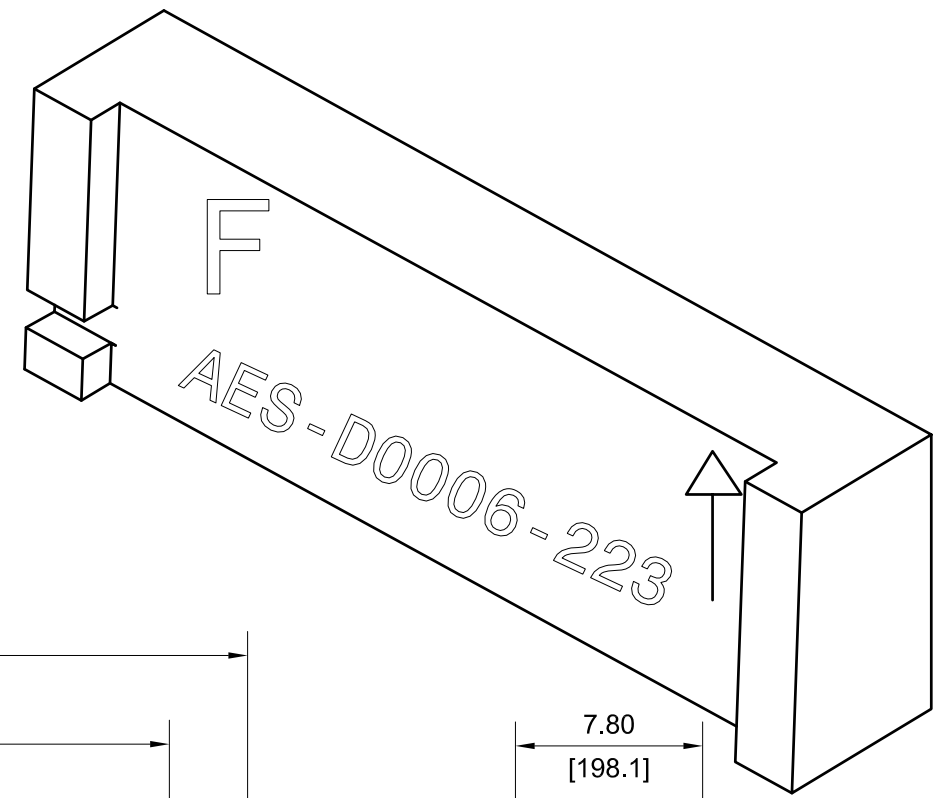
DRAWING NUMBER				
AES-D0006				
SIZE	SCALE	SHEET	OF	REVISION
A3	NONE	107	166	D


— 221



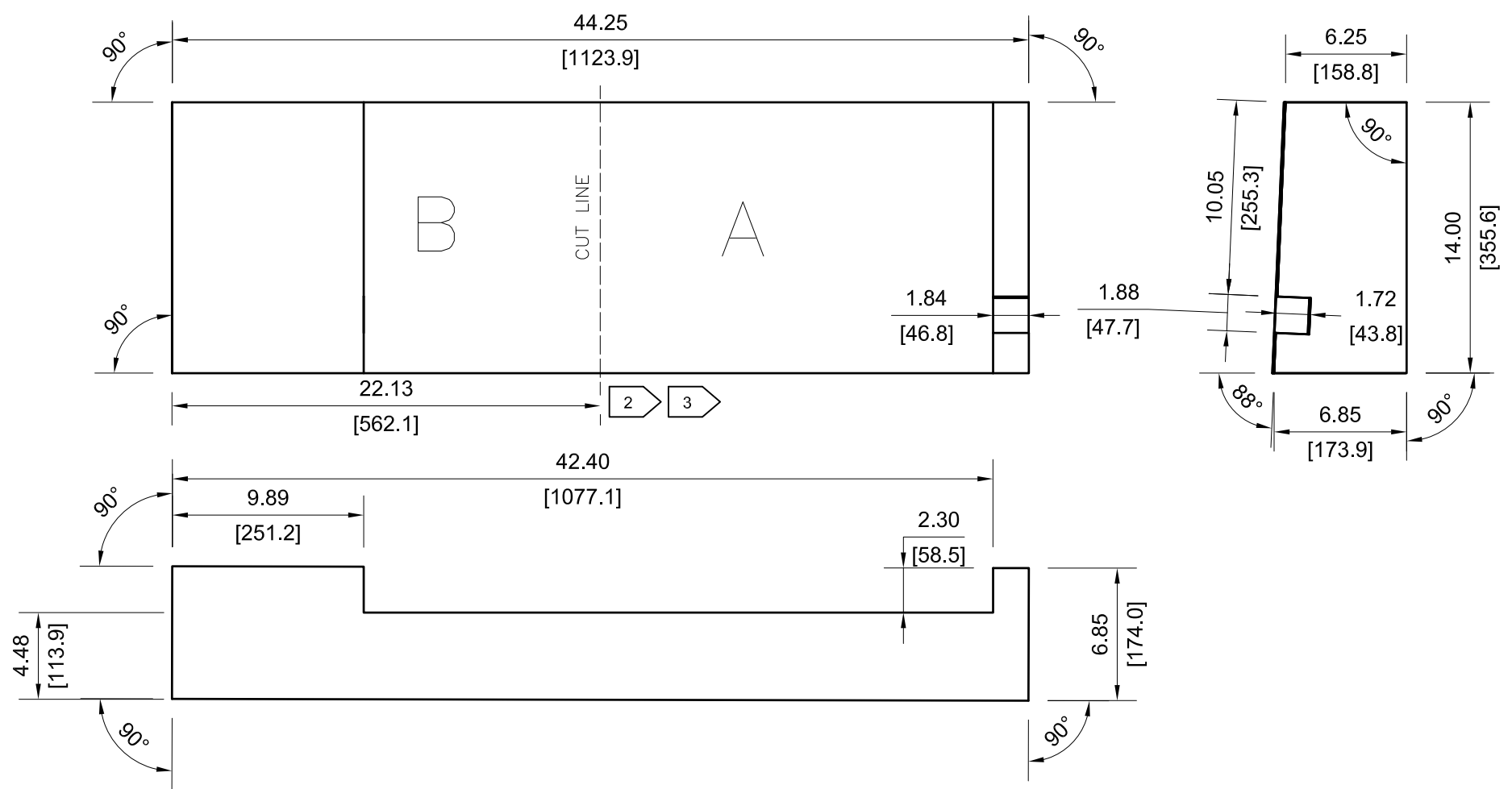
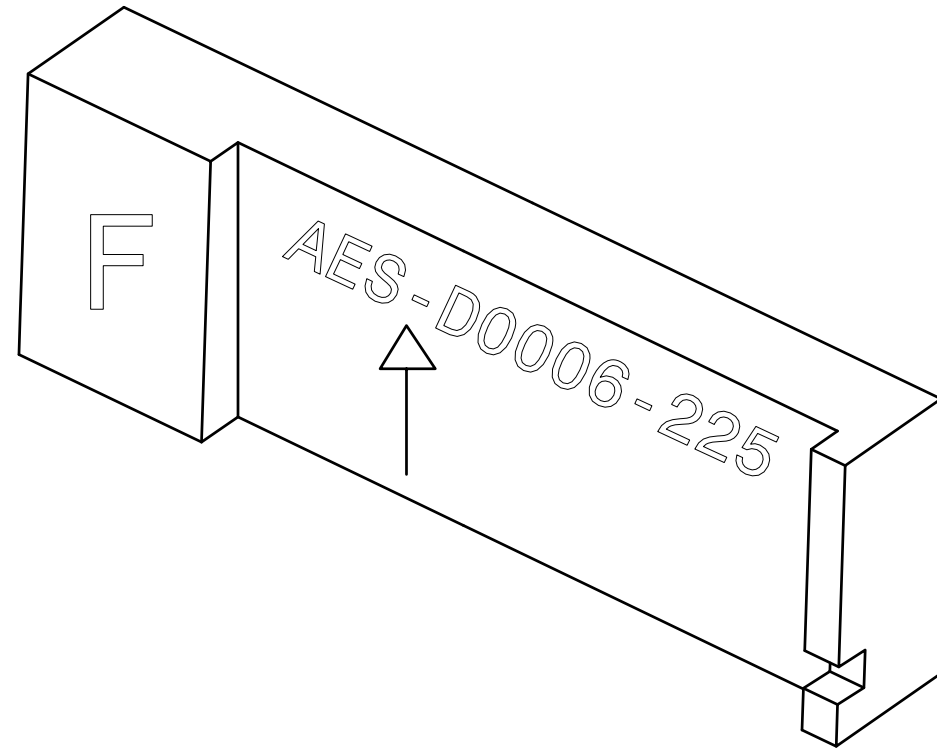
DRAWING NUMBER				
AES-D0006				
SIZE	SCALE	SHEET	OF	REVISION
A3	NONE	108	166	D


- 223



		DRAWING NUMBER			
		AES-D0006			
SIZE	SCALE	SHEET	OF	REVISION	
A3	NONE	109	166	D	

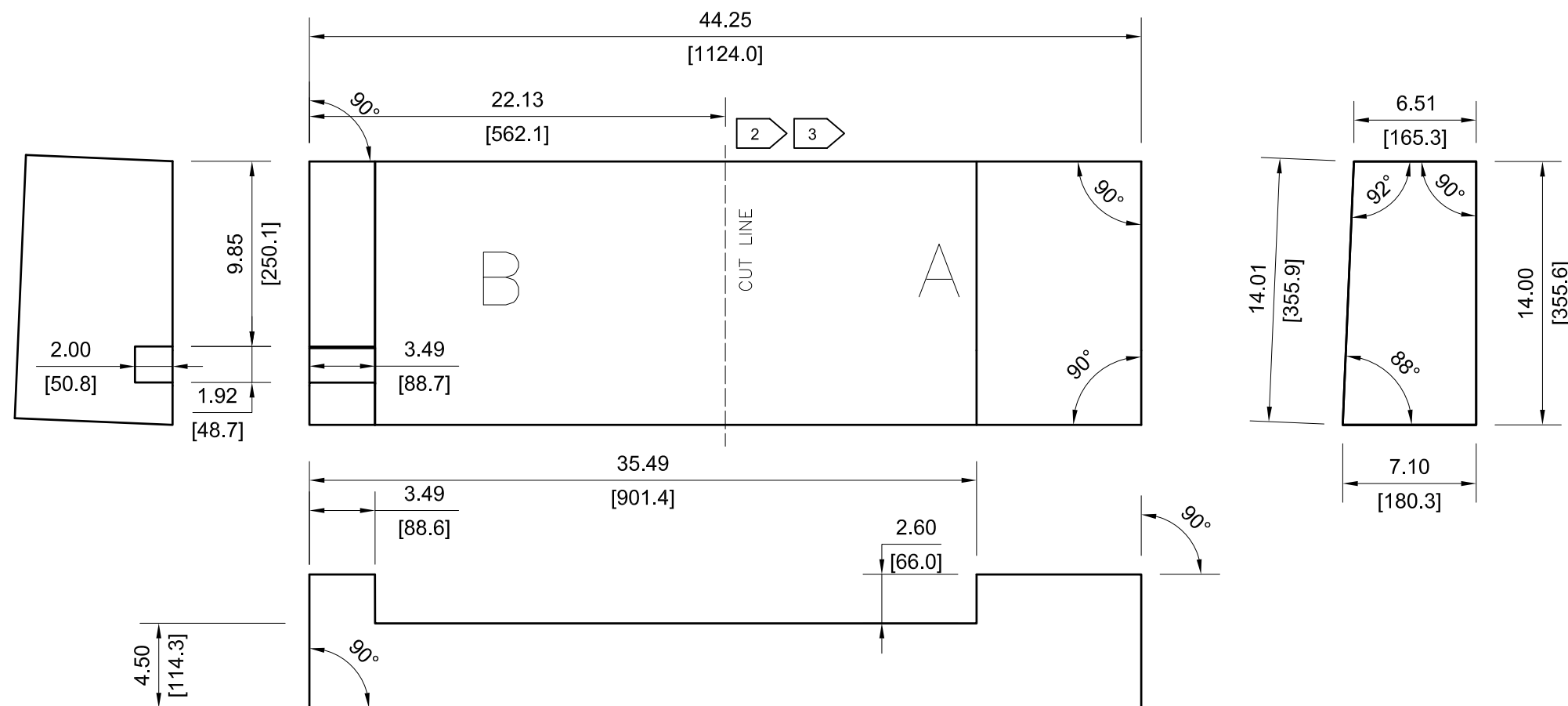
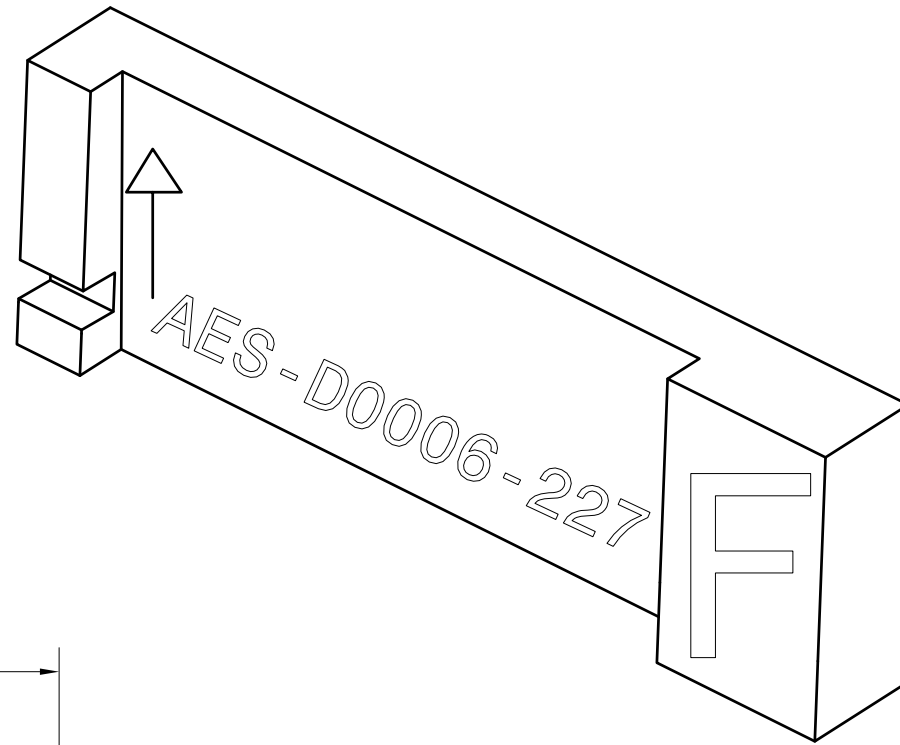
— 225




	DRAWING NUMBER				
	SIZE	SCALE	SHEET	OF	REVISION
A3	NONE	110	166	D	

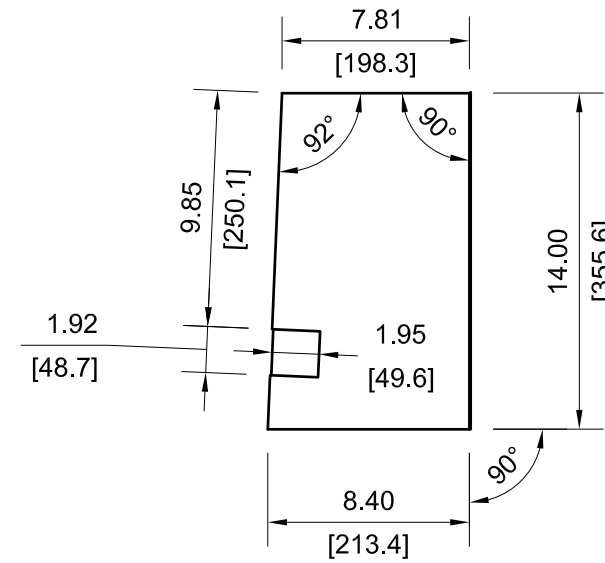
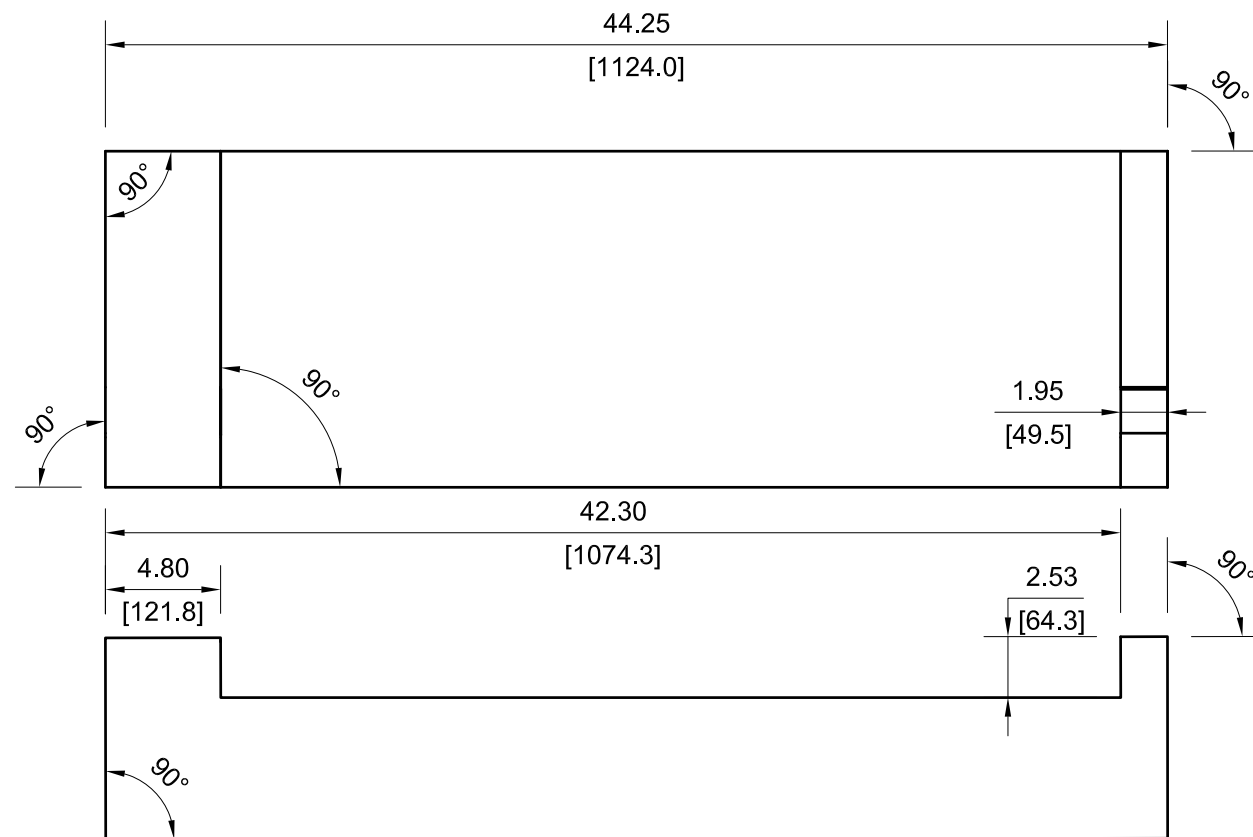
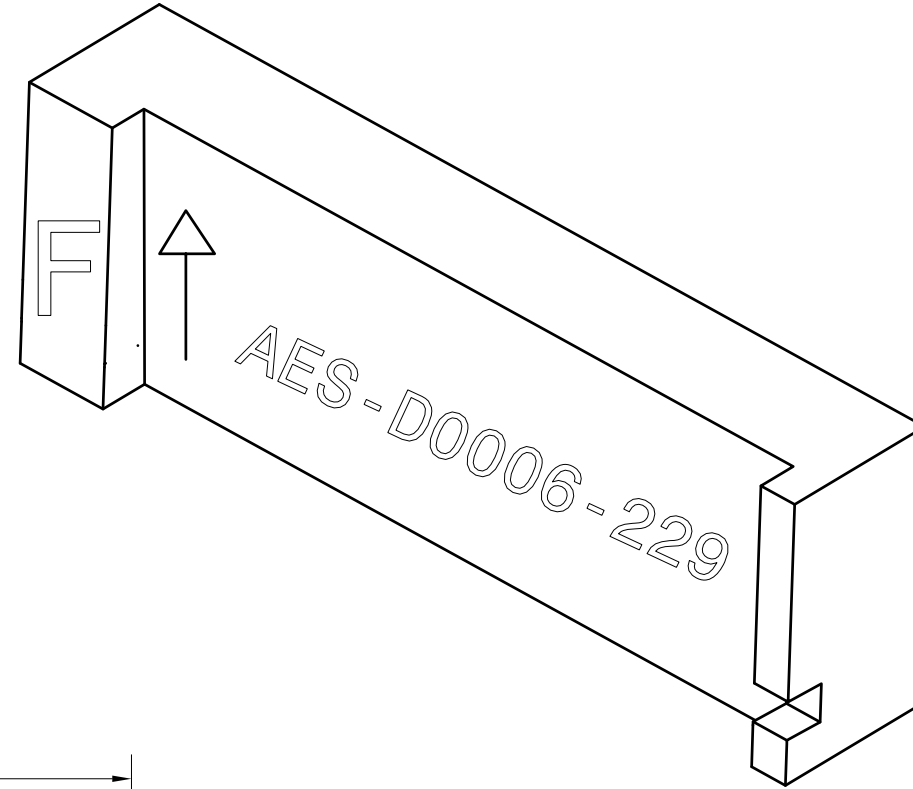
AES-D0006


- 227



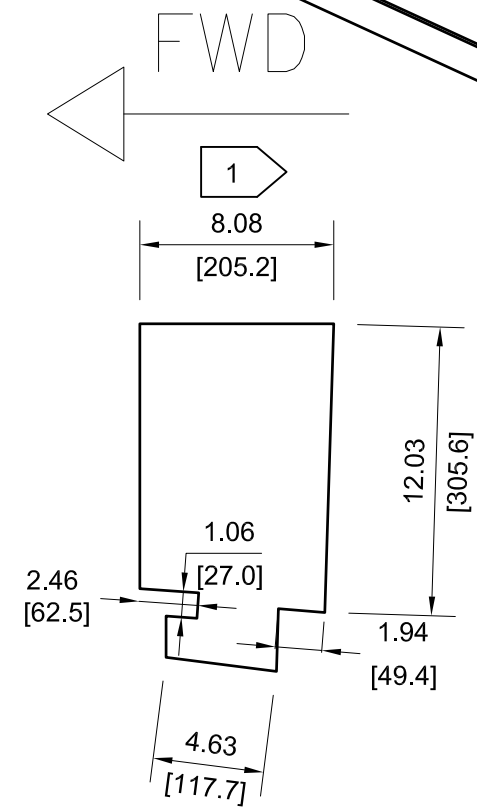
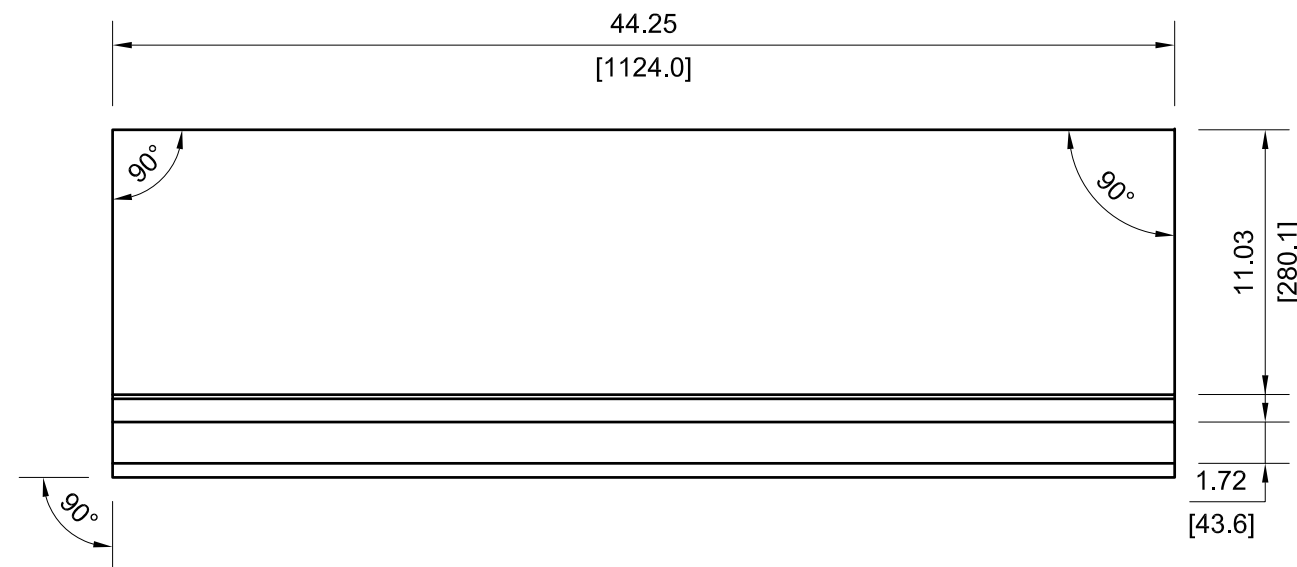
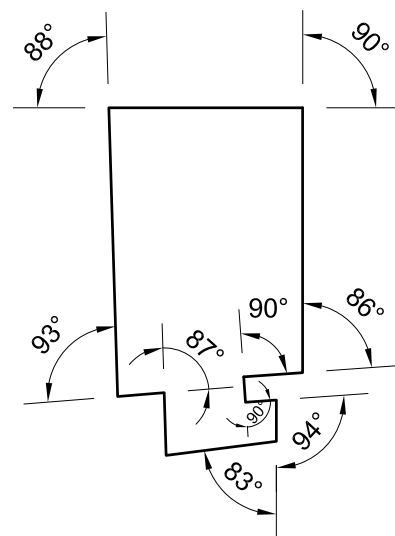
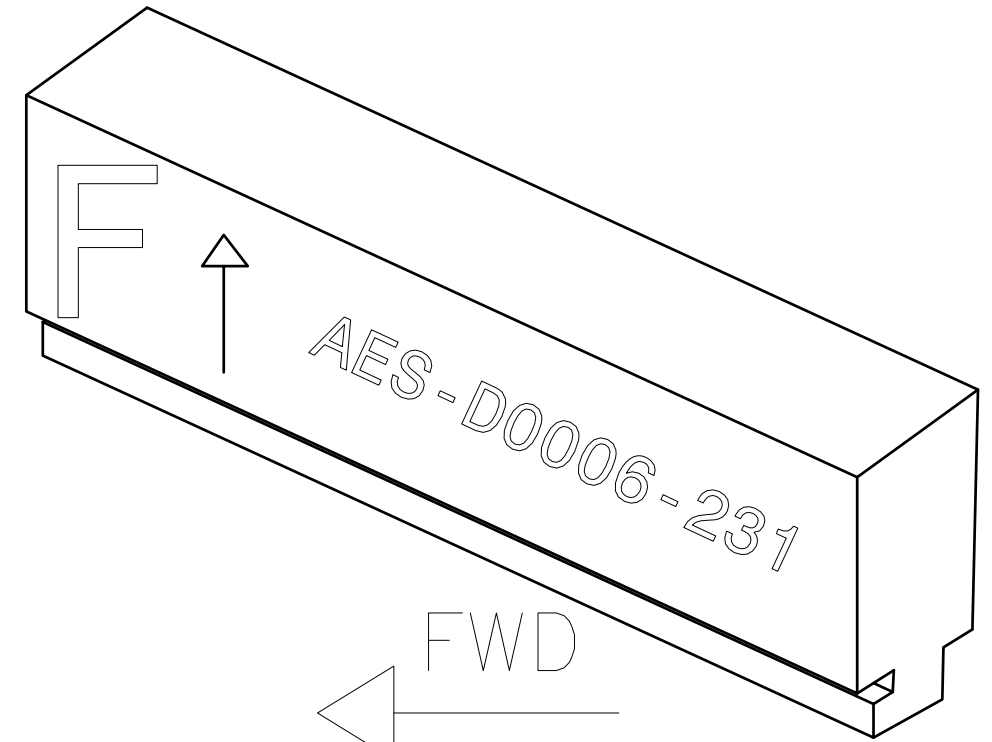
	DRAWING NUMBER				AES-D0006	
	SIZE	SCALE	SHEET	OF	REVISION	
A3	NONE	111	166	D		

— 229



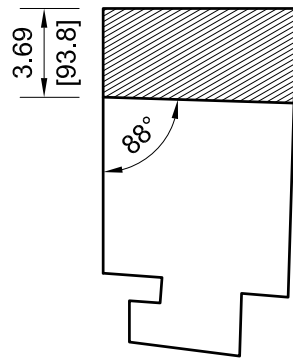
		DRAWING NUMBER			
		AES-D0006			
SIZE	SCALE	SHEET	OF	REVISION	
A3	NONE	112	166	D	

— 231

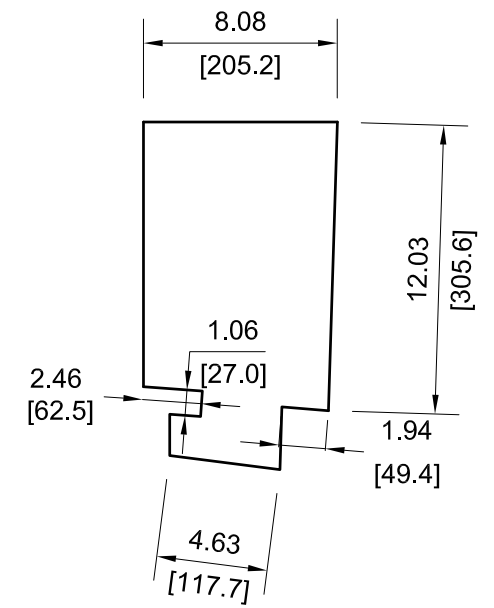
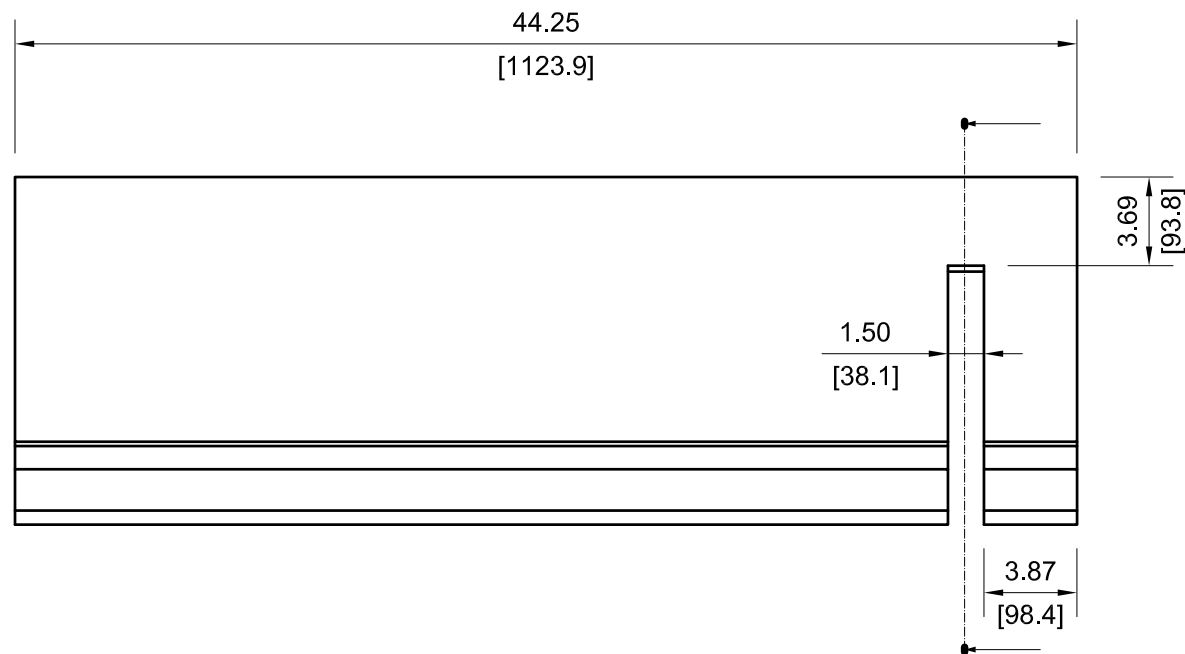
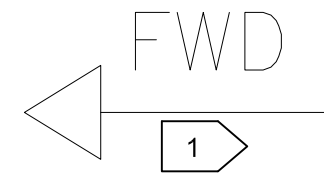
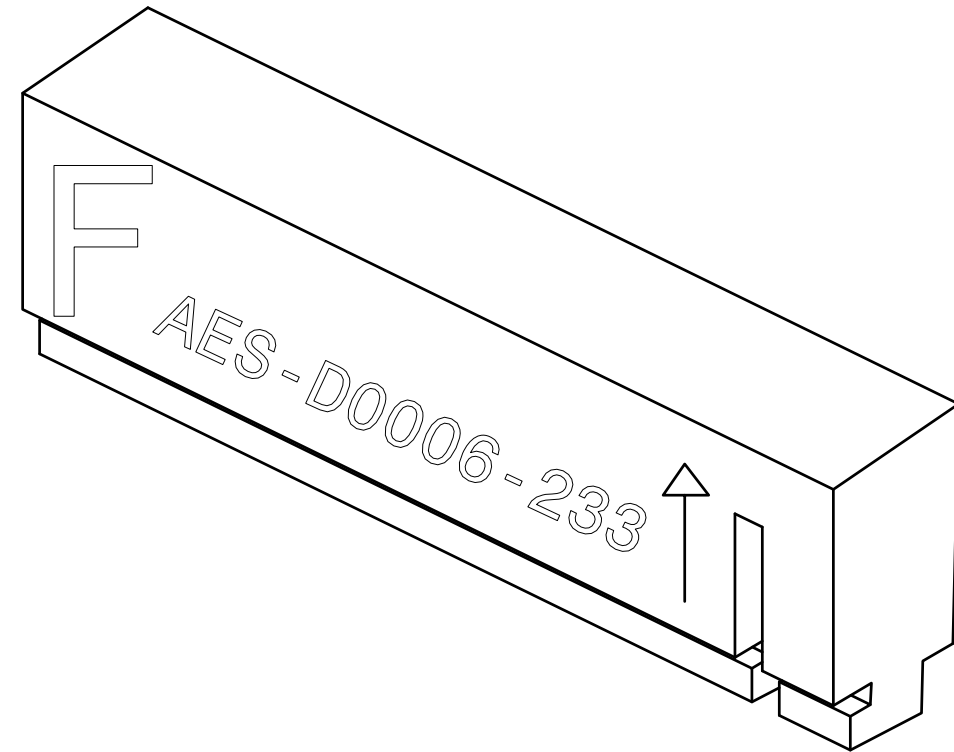
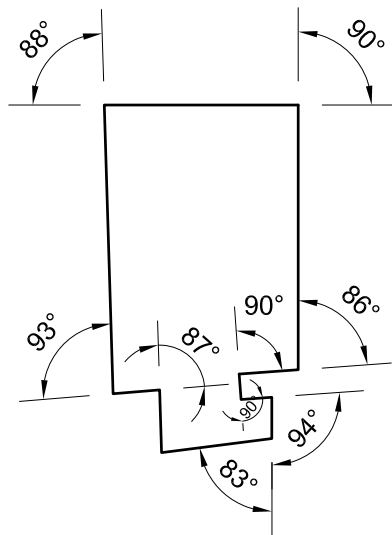



DRAWING NUMBER				
AES-D0006				
SIZE	SCALE	SHEET	OF	REVISION
A3	NONE	113	166	D

— 233

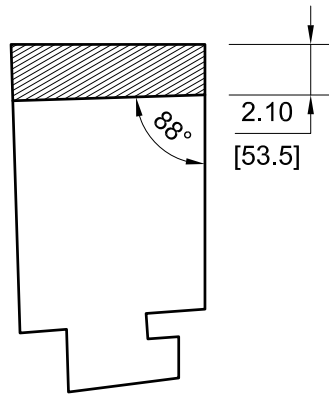


SECTION VIEW E6-114

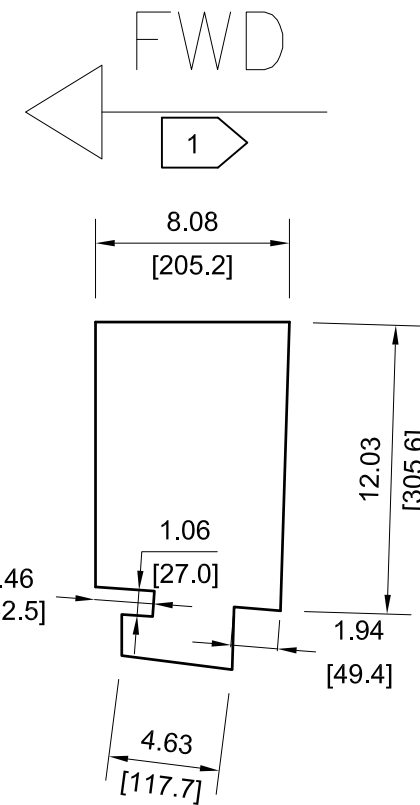
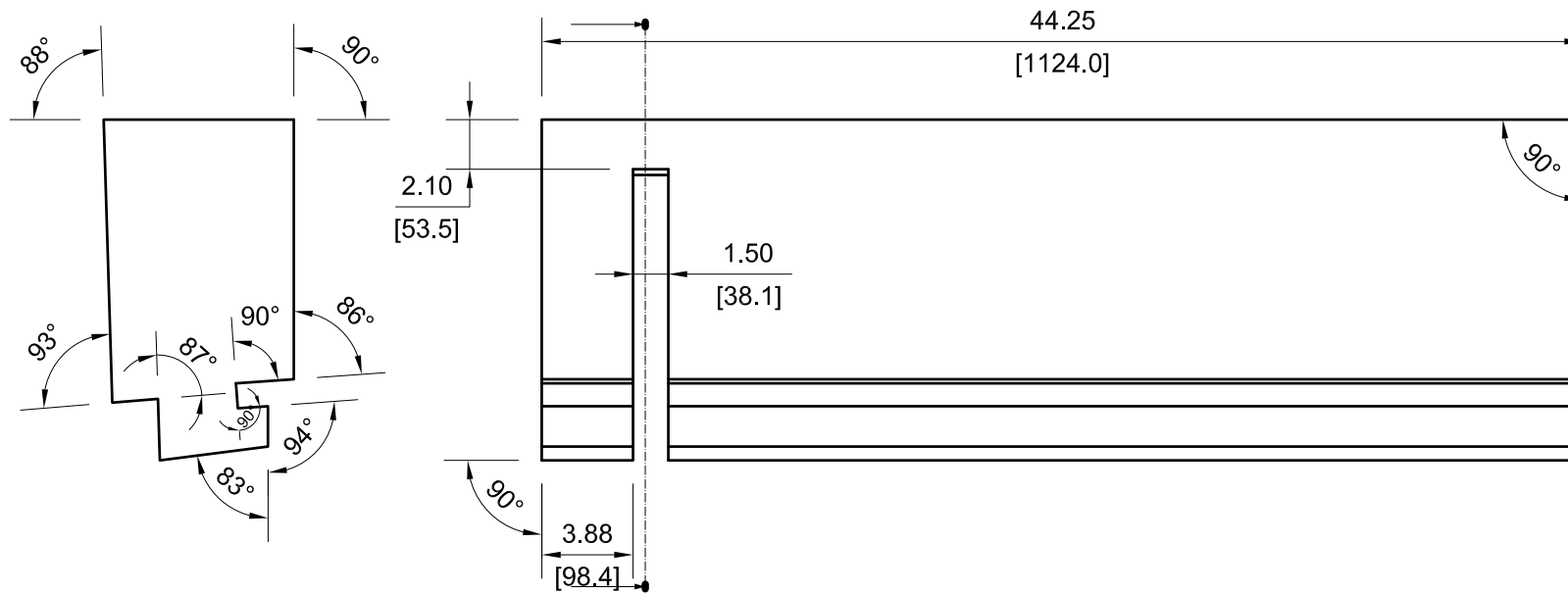
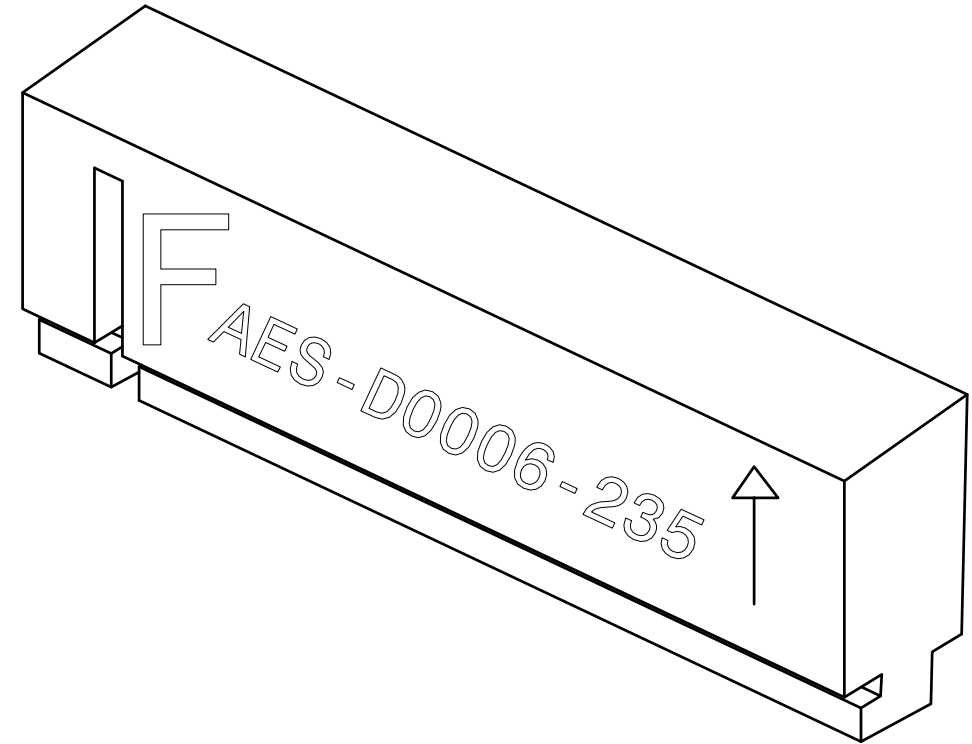


	DRAWING NUMBER				AES-D0006
	SIZE	SCALE	SHEET	OF	REVISION
A3	NONE	114	166	D	

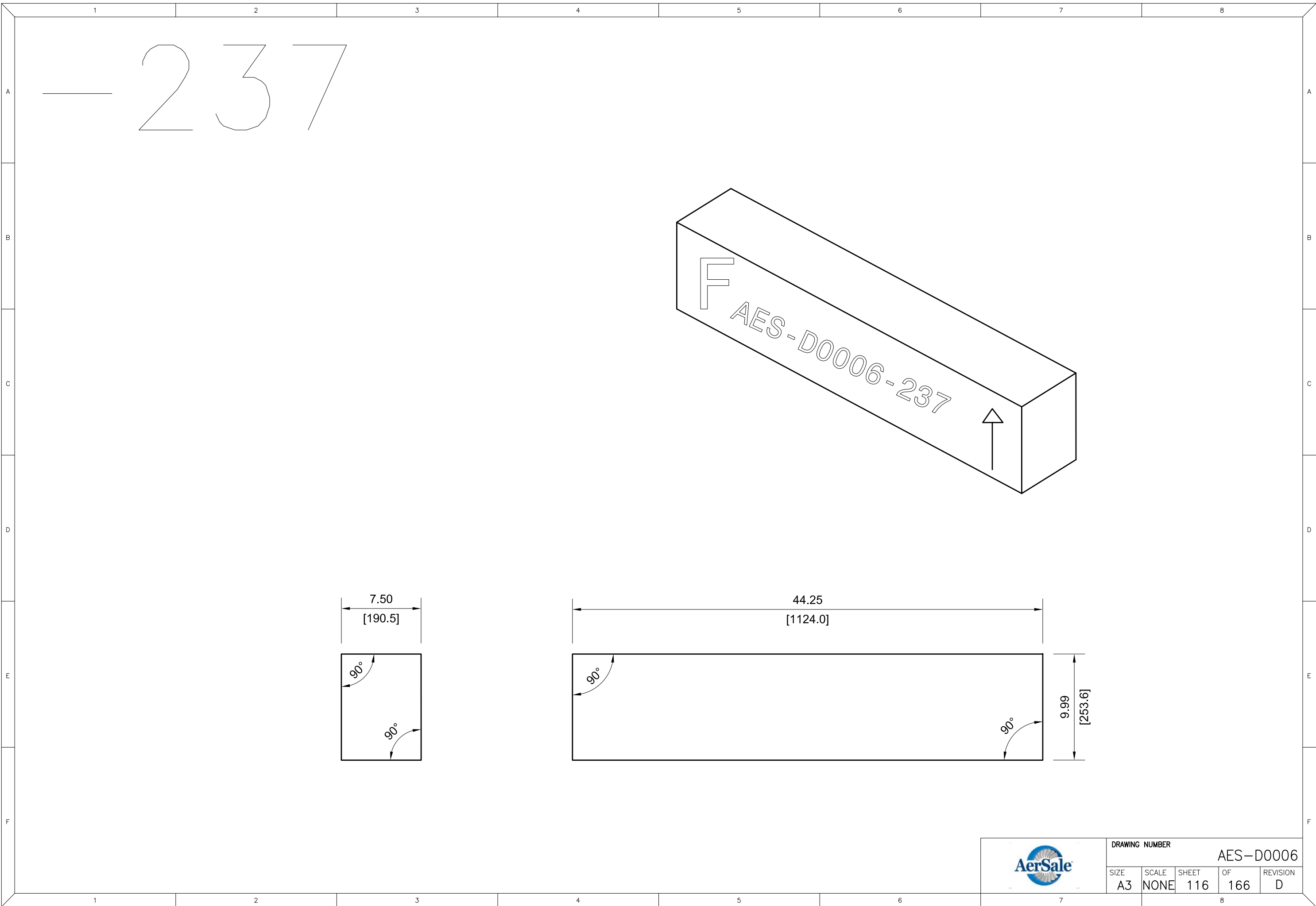
— 235



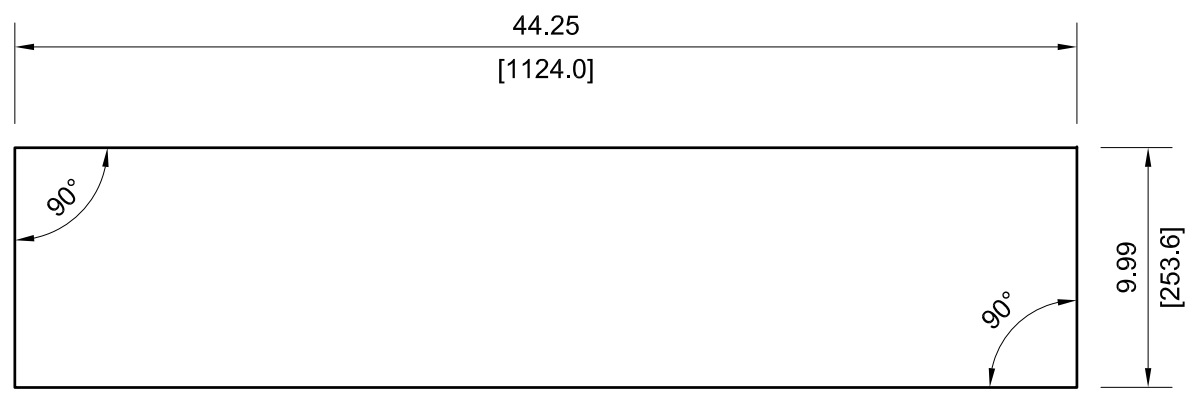
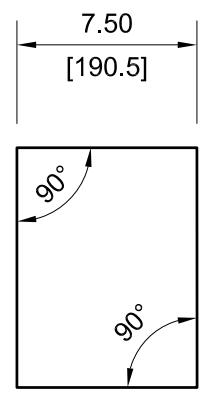
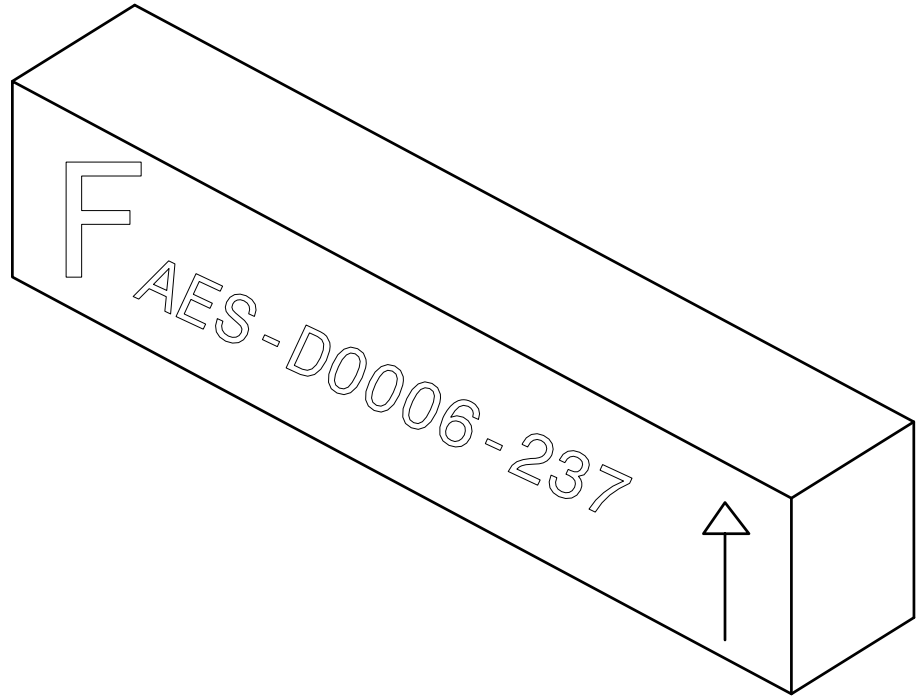
SECTION VIEW E3-115




DRAWING NUMBER				
AES-D0006				
SIZE	SCALE	SHEET	OF	REVISION
A3	NONE	115	166	D

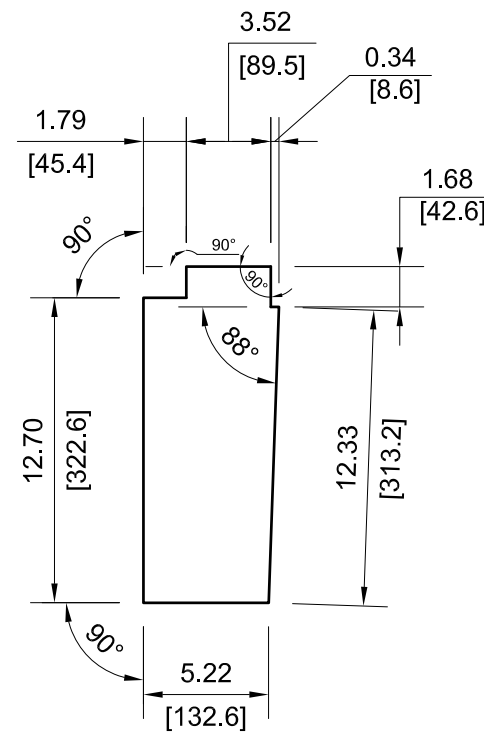
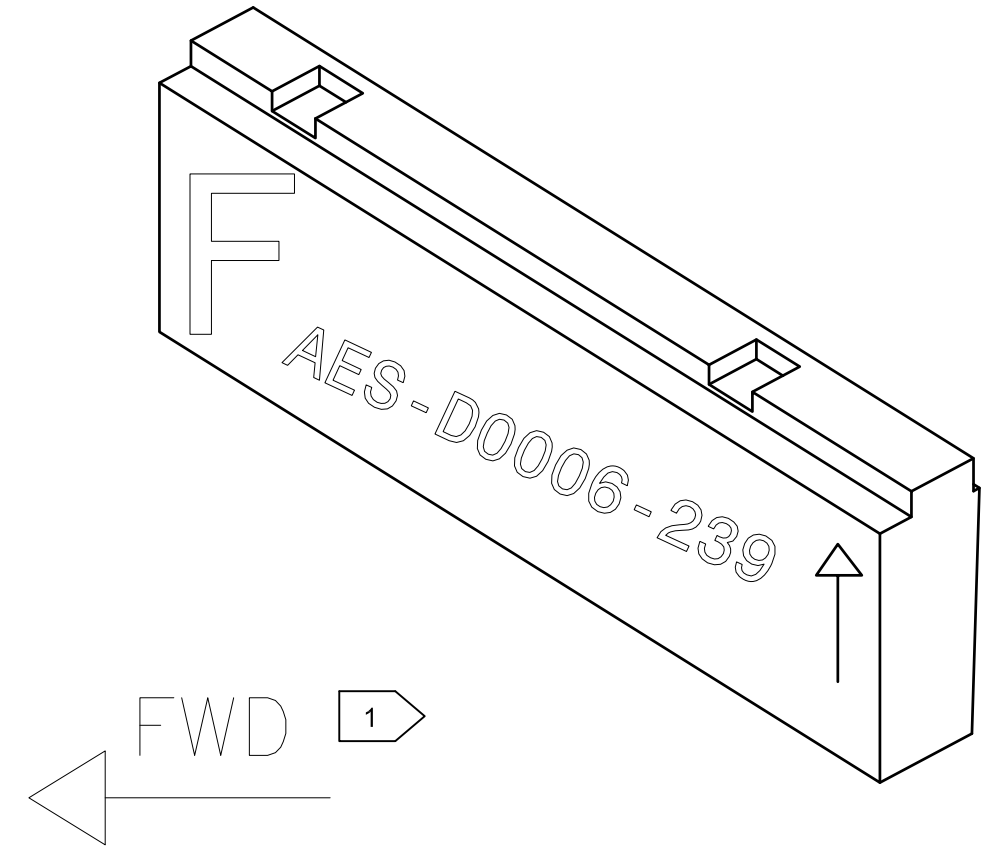
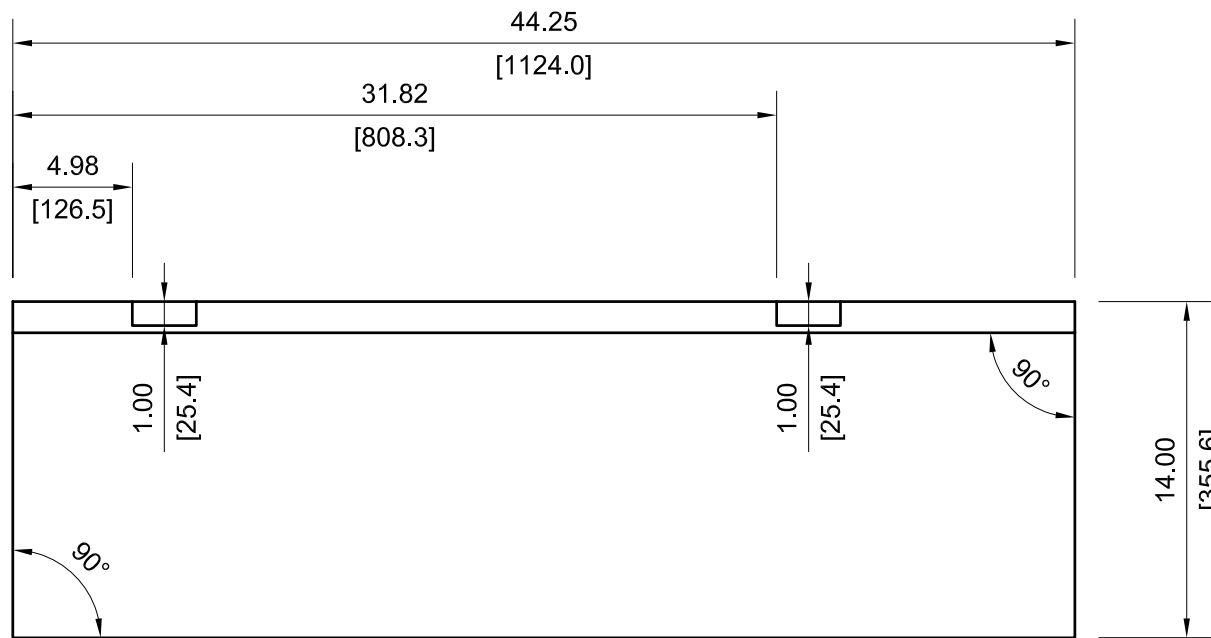
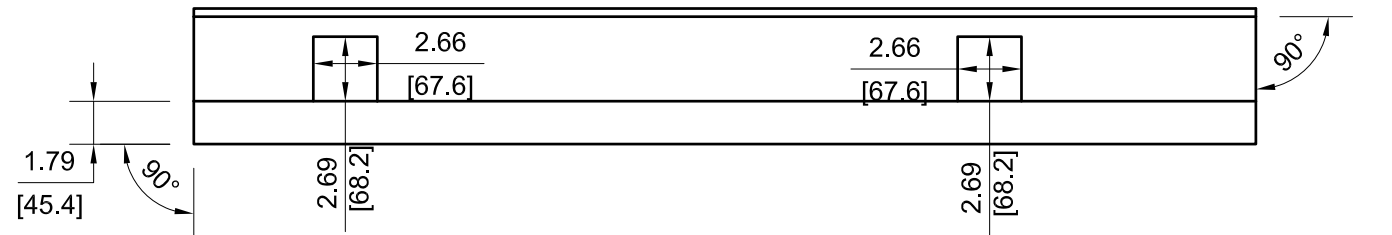


- 237



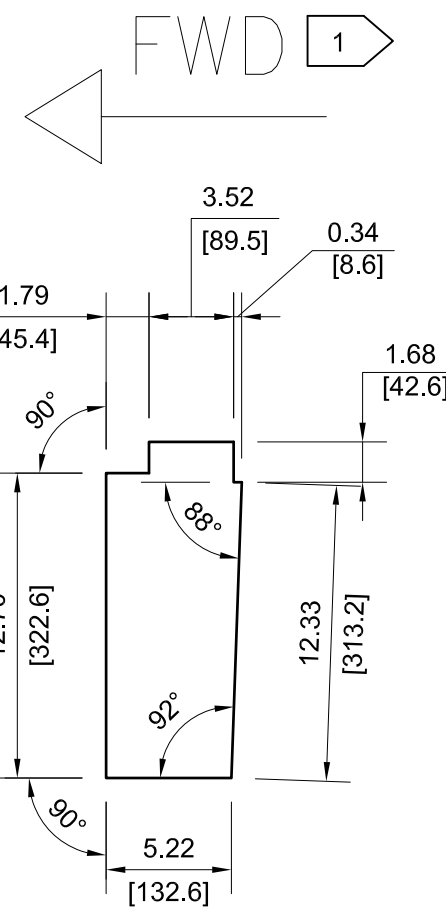
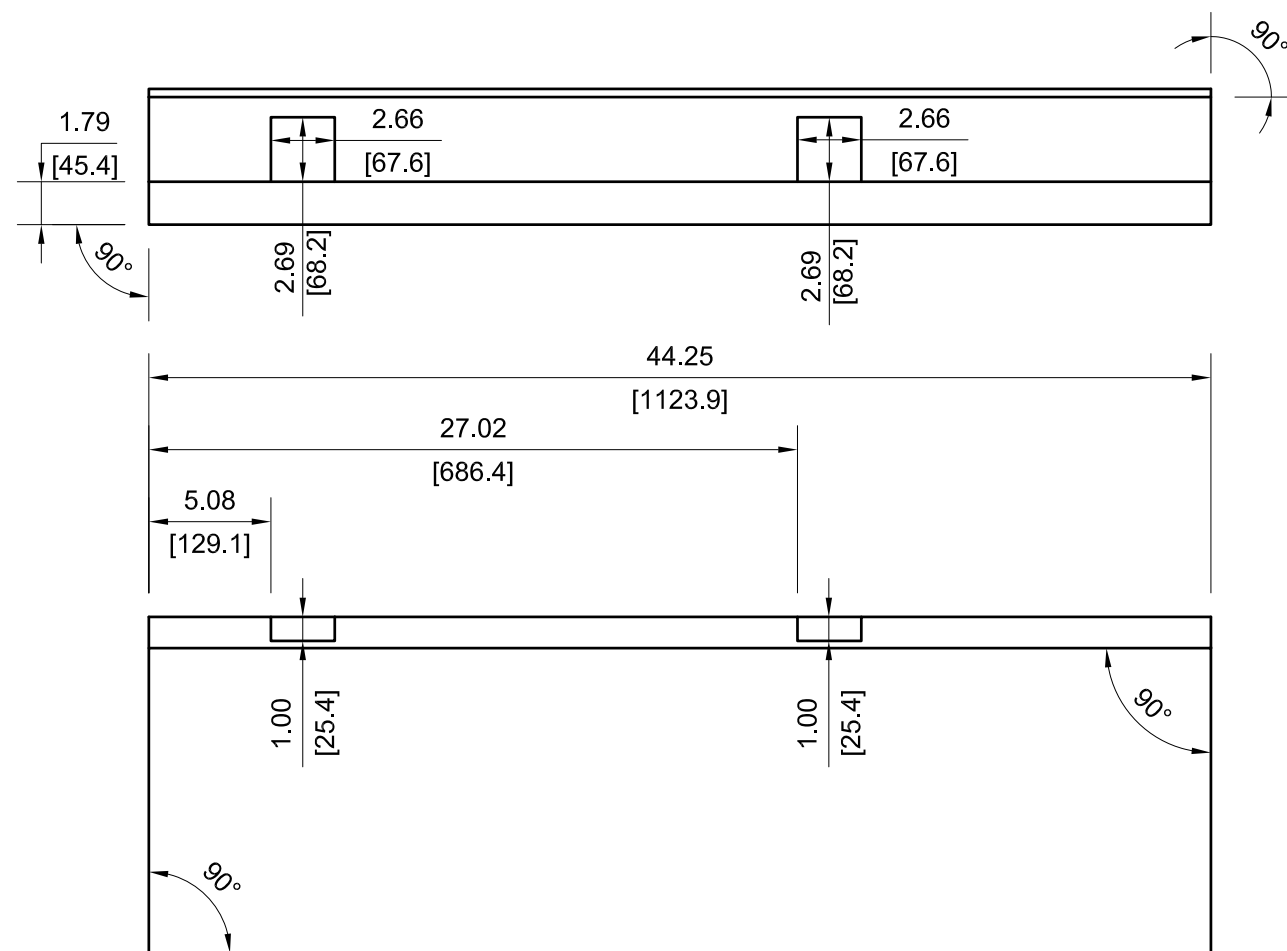
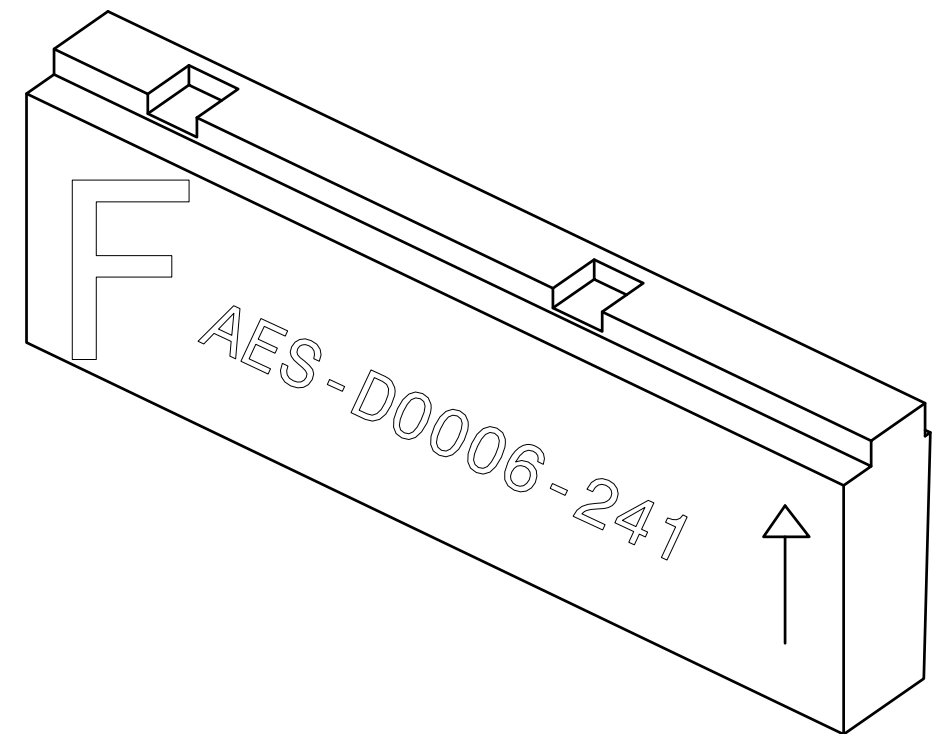
		DRAWING NUMBER			
		AES-D0006			
SIZE	SCALE	SHEET	OF	REVISION	
A3	NONE	116	166	D	

— 239



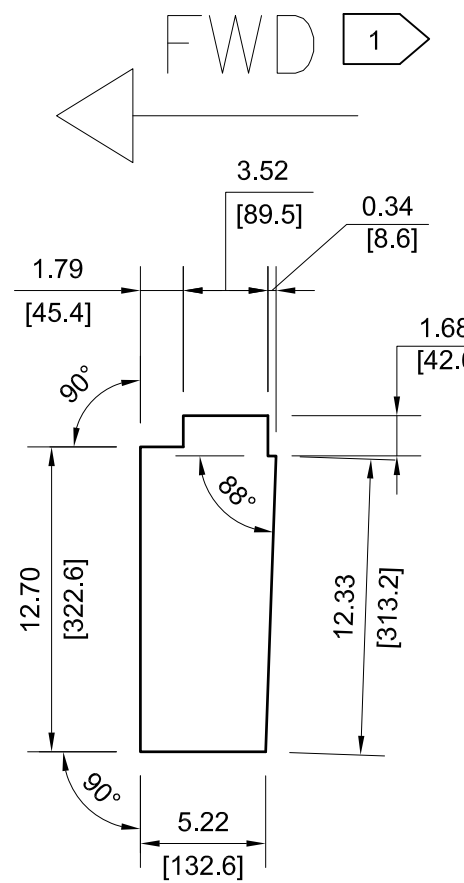
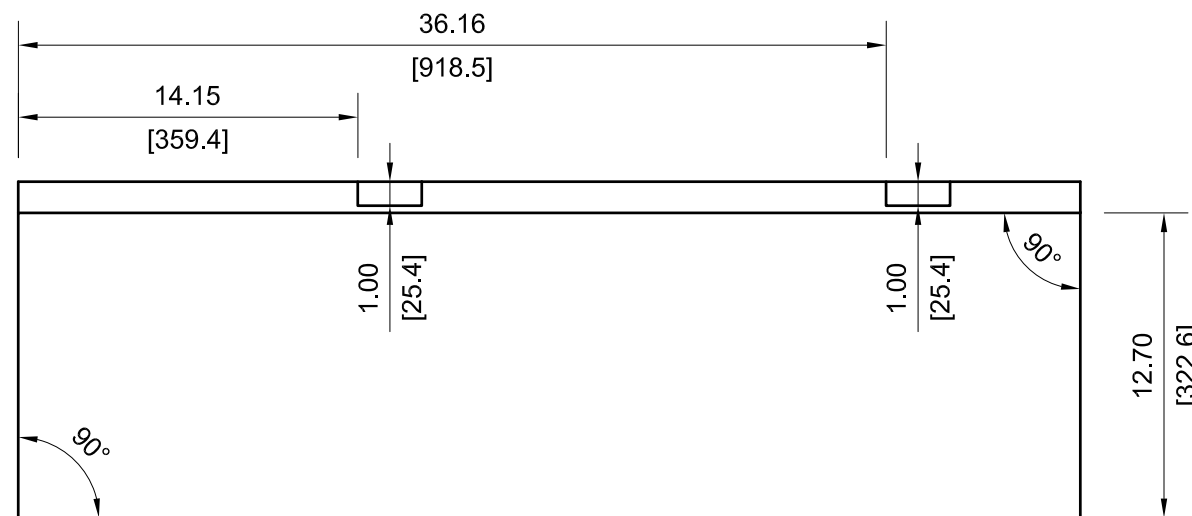
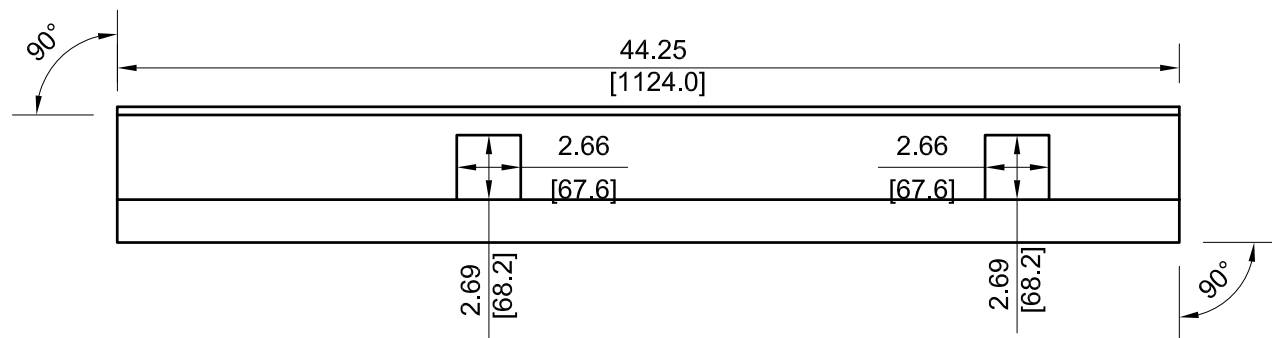
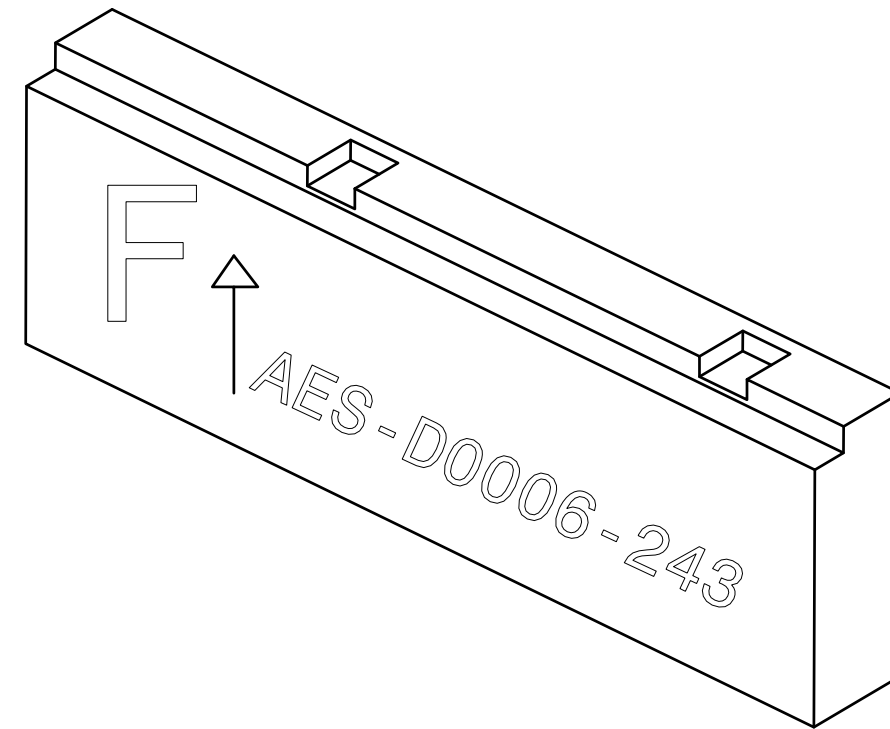
DRAWING NUMBER				
AES-D0006				
SIZE	SCALE	SHEET	OF	REVISION
A3	NONE	117	166	D

241



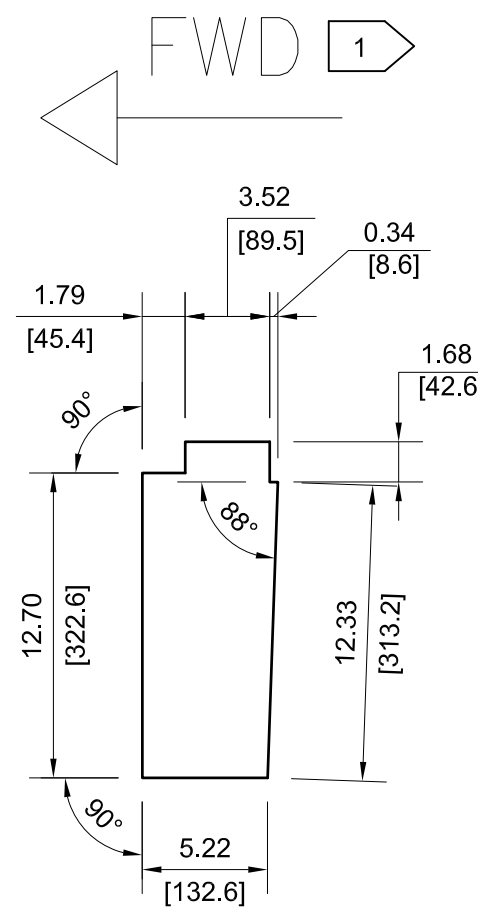
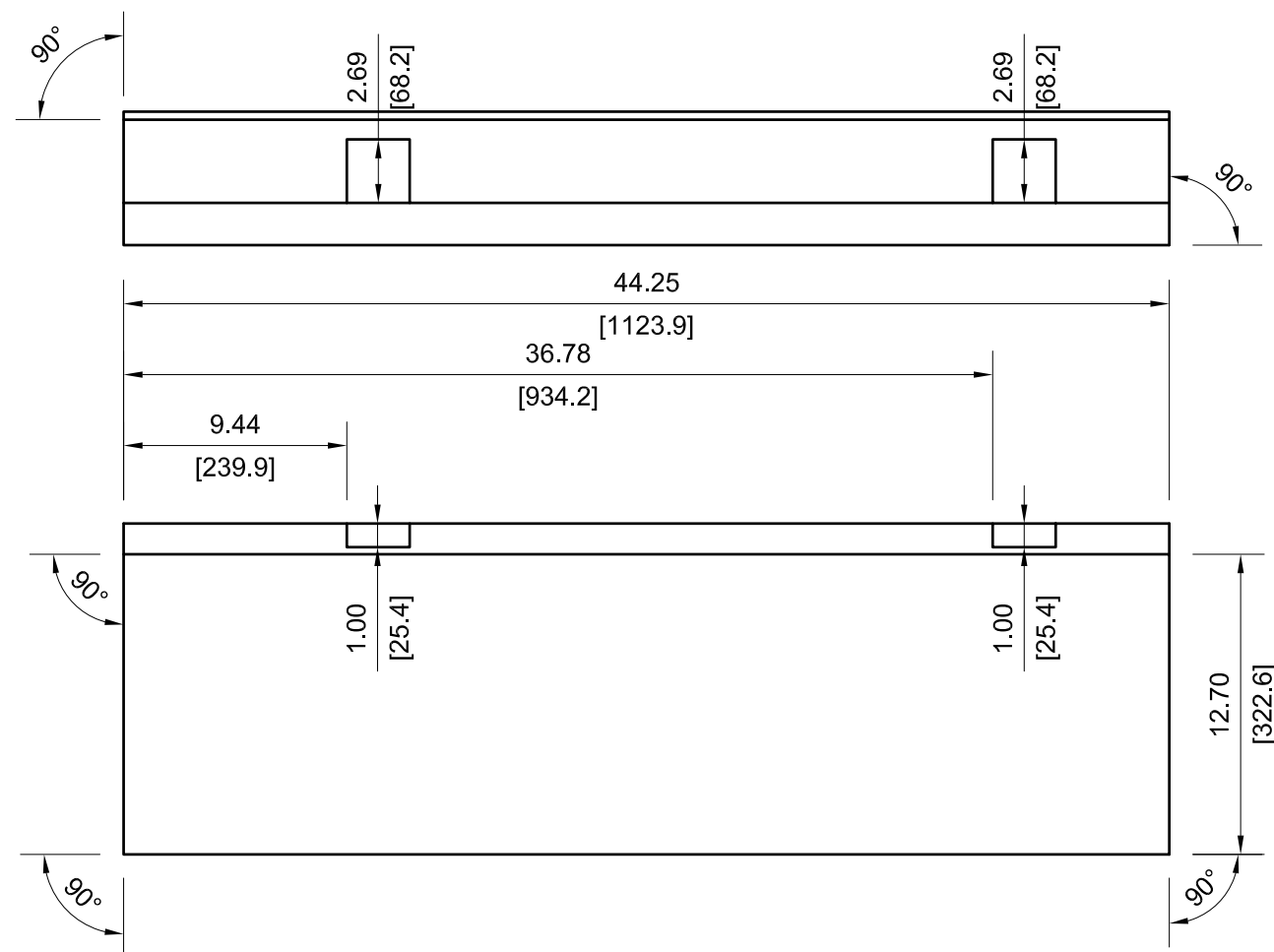
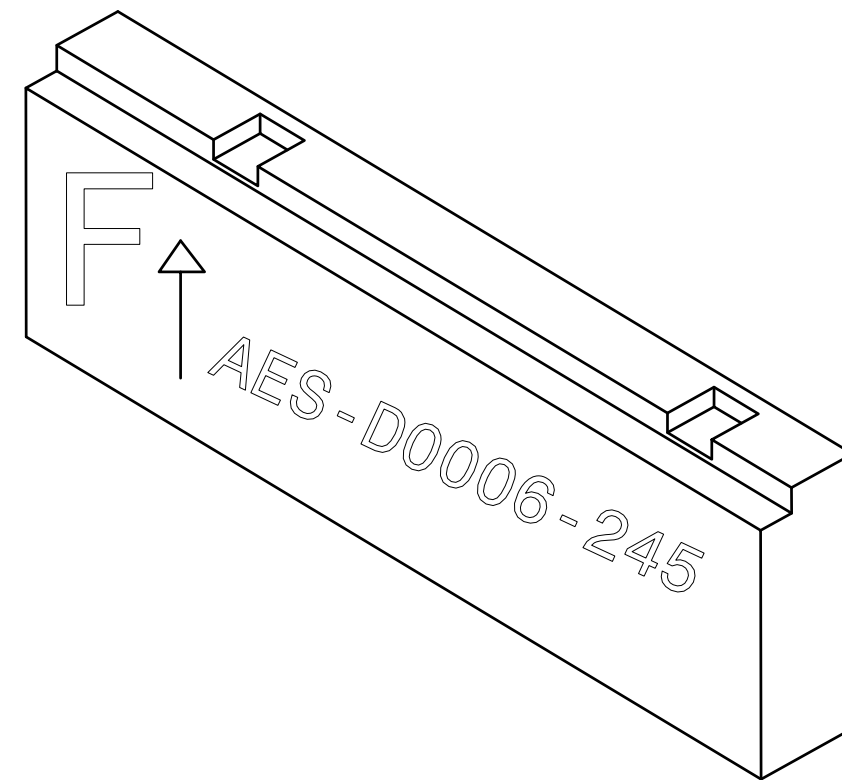
DRAWING NUMBER				
AES-D0006				
SIZE	SCALE	SHEET	OF	REVISION
A3	NONE	118	166	D


- 243



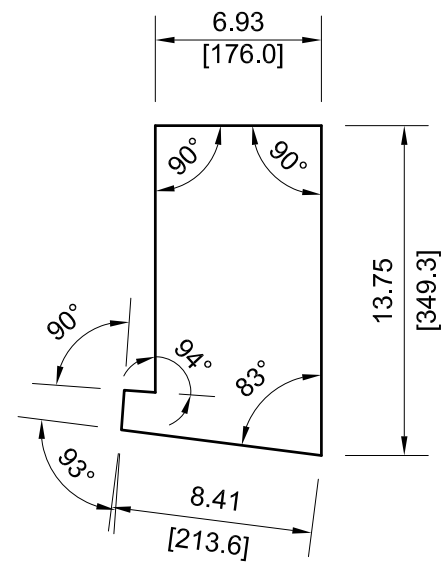
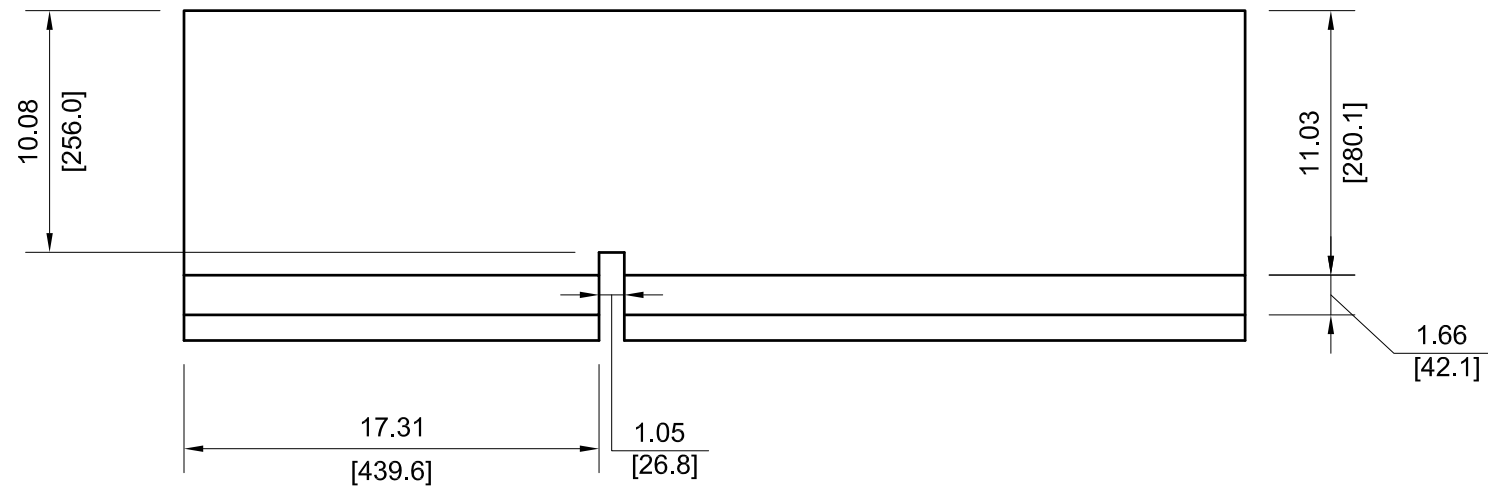
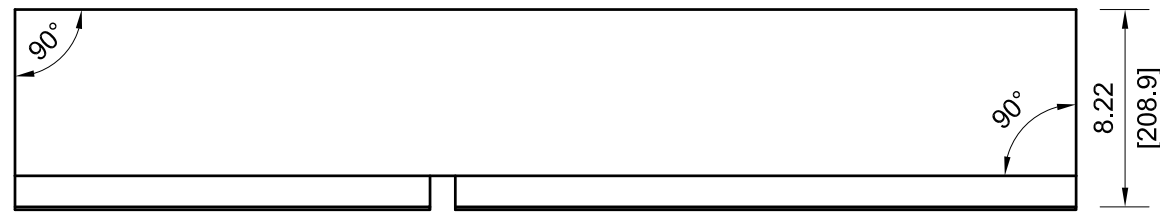
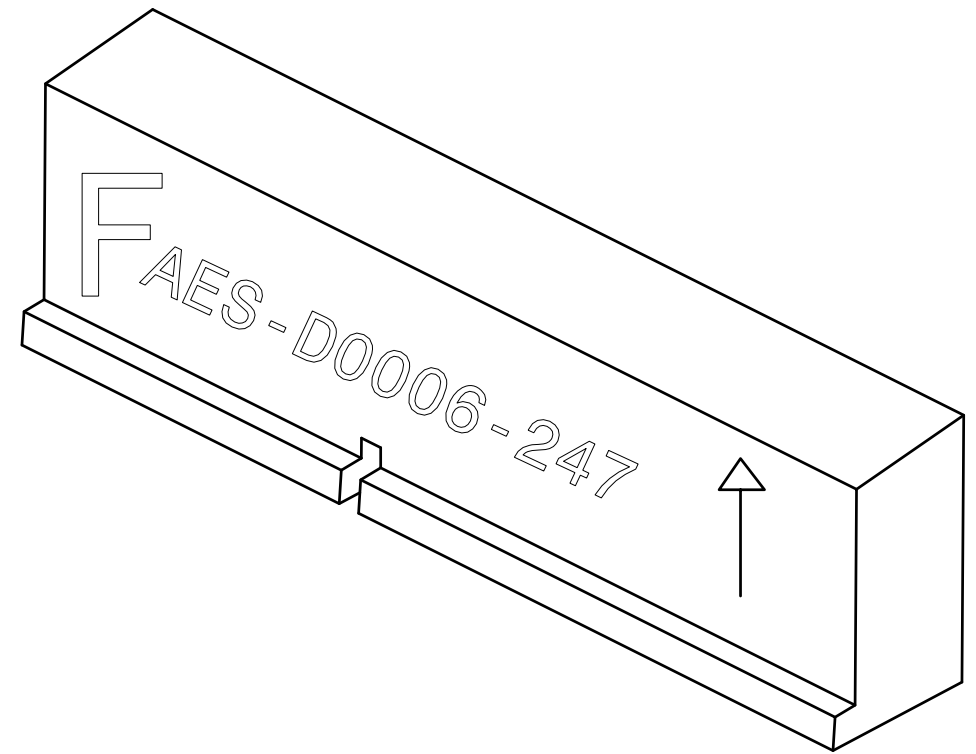
	DRAWING NUMBER				AES-D0006	
	SIZE	SCALE	SHEET	OF	REVISION	
A3	NONE	119	166	D		

- 245



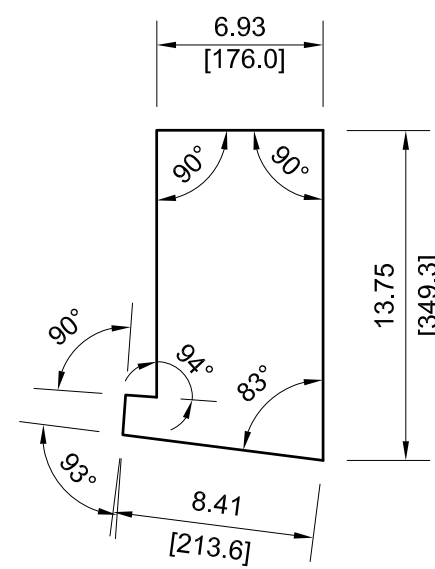
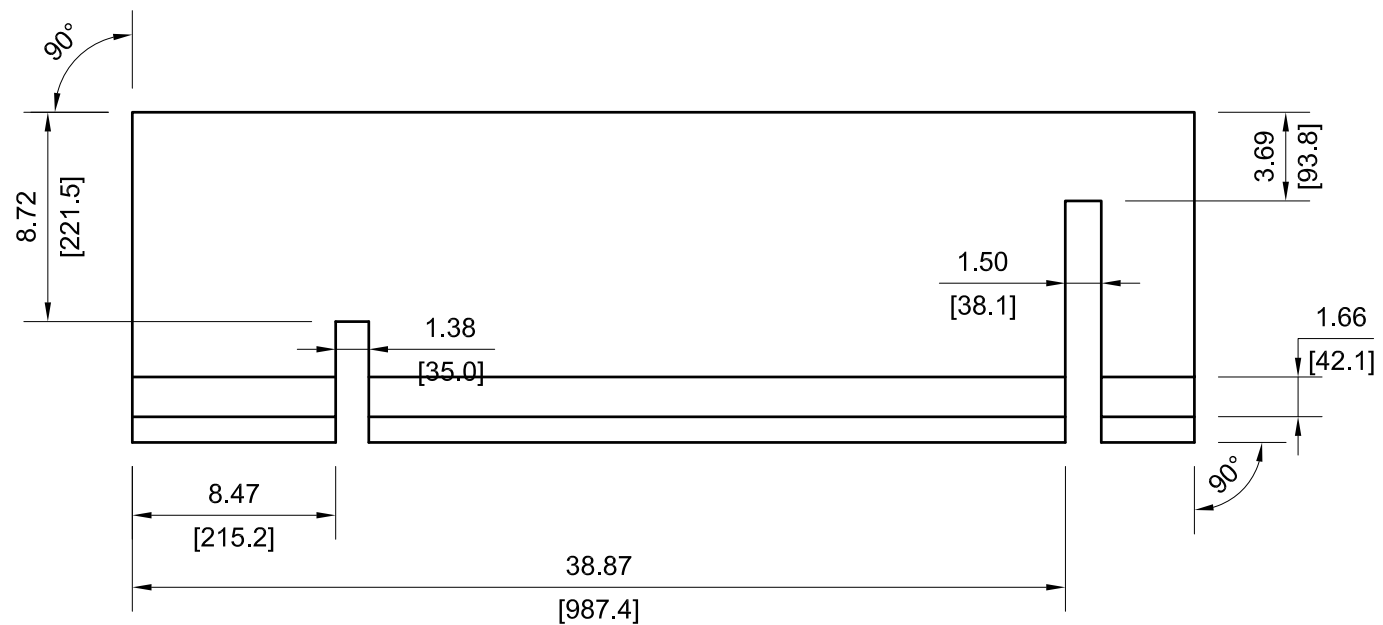
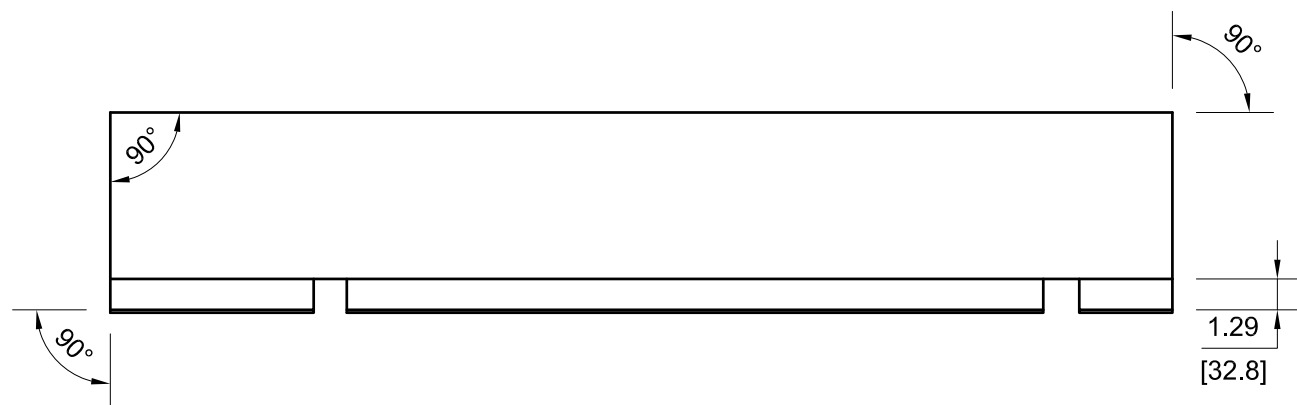
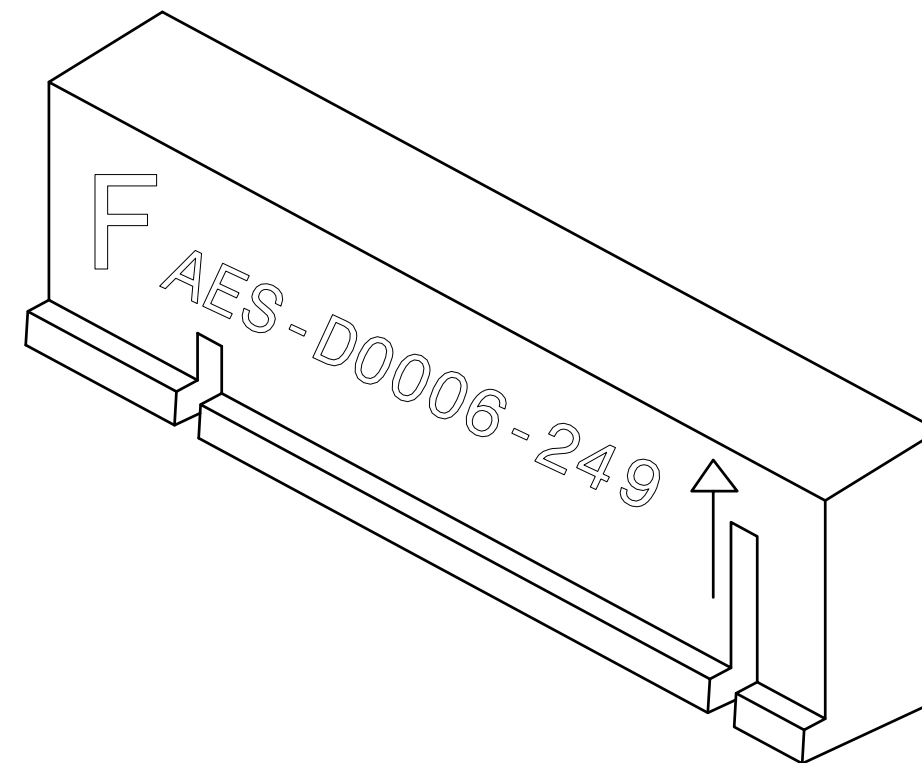
		DRAWING NUMBER			
		AES-D0006			
SIZE	SCALE	SHEET	OF	REVISION	
A3	NONE	120	166	D	


- 247



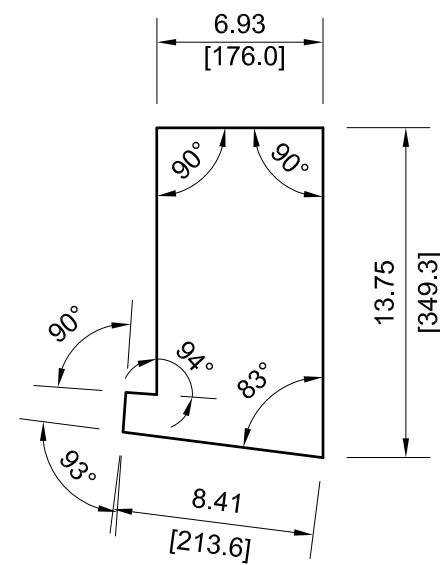
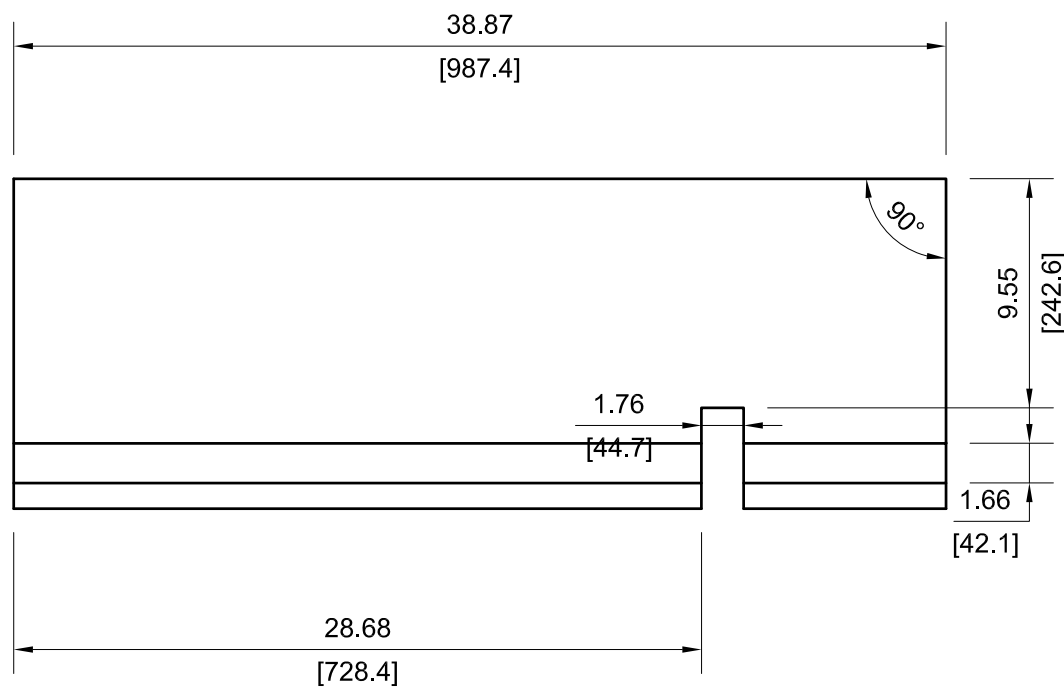
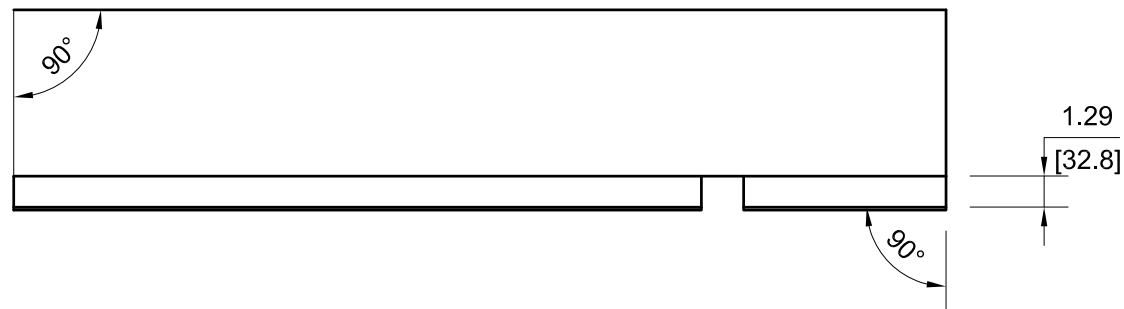
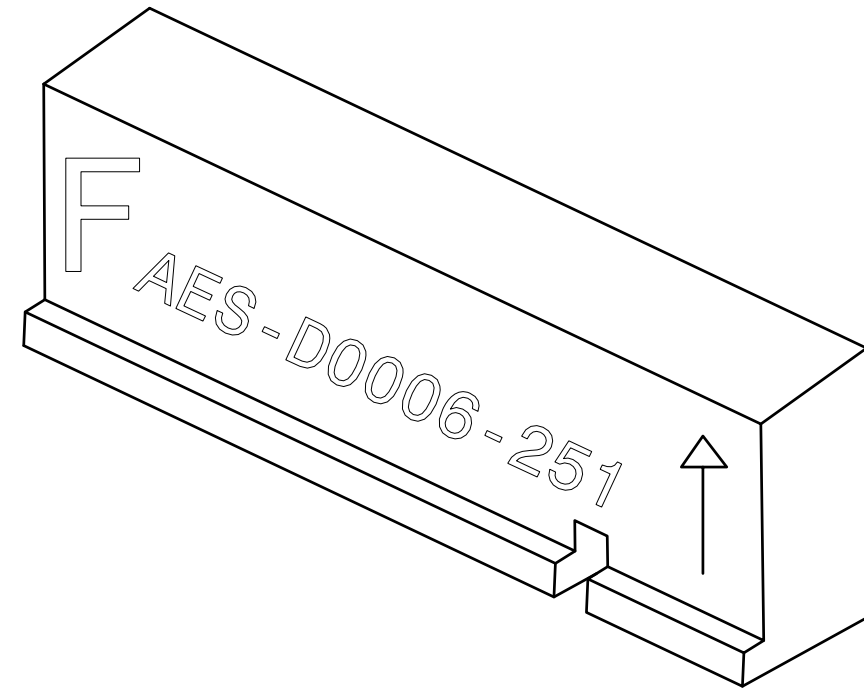
DRAWING NUMBER				
AES-D0006				
SIZE	SCALE	SHEET	OF	REVISION
A3	NONE	121	166	D


- 249



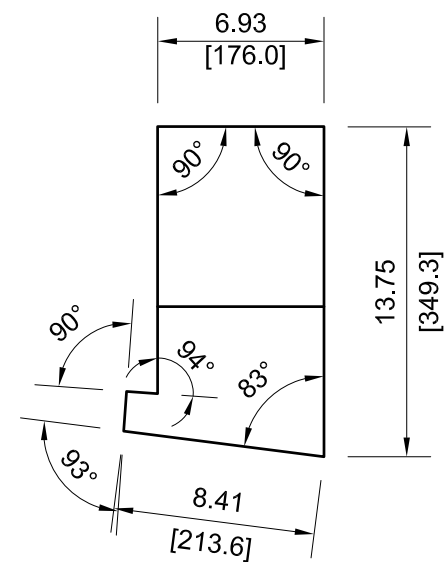
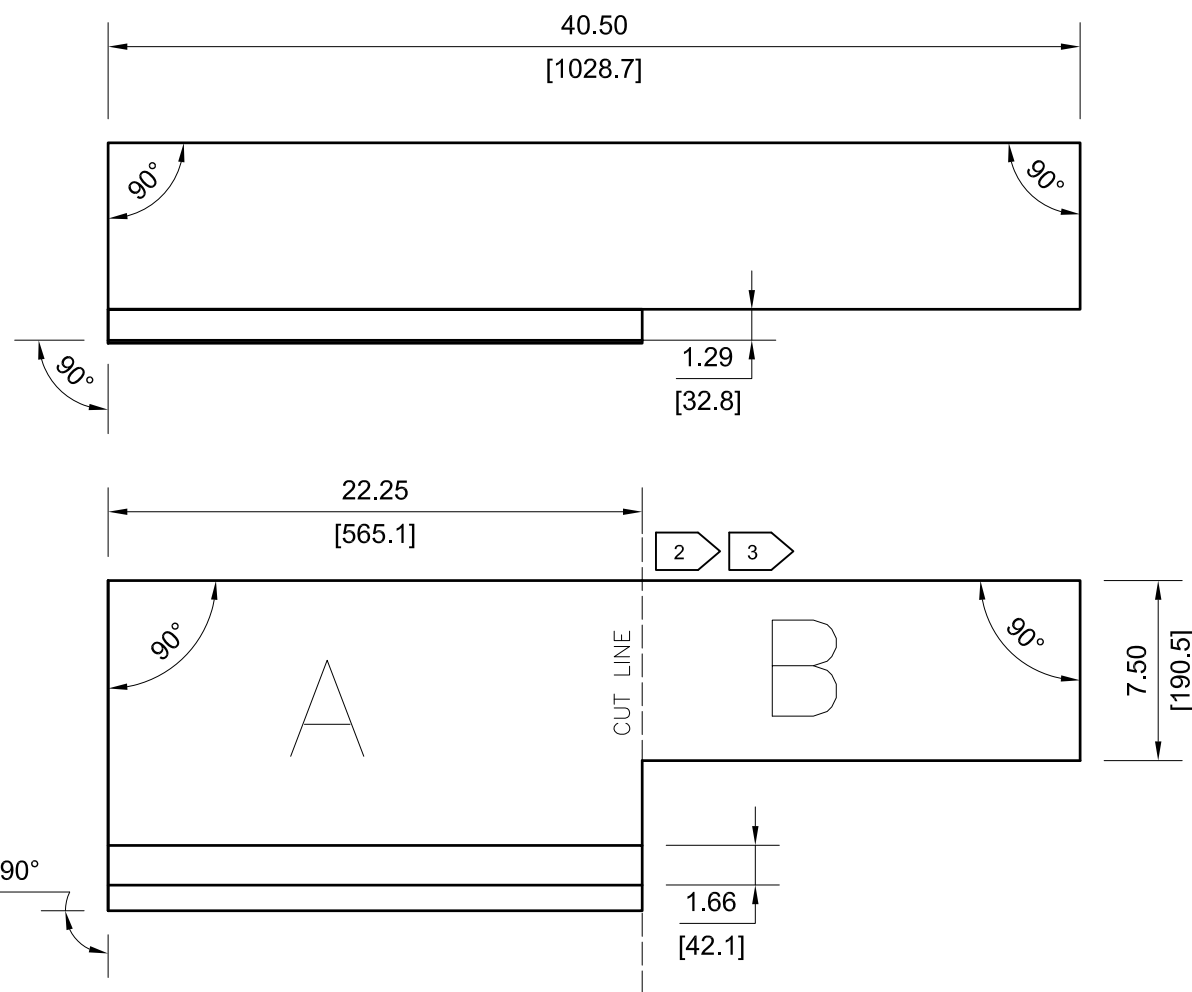
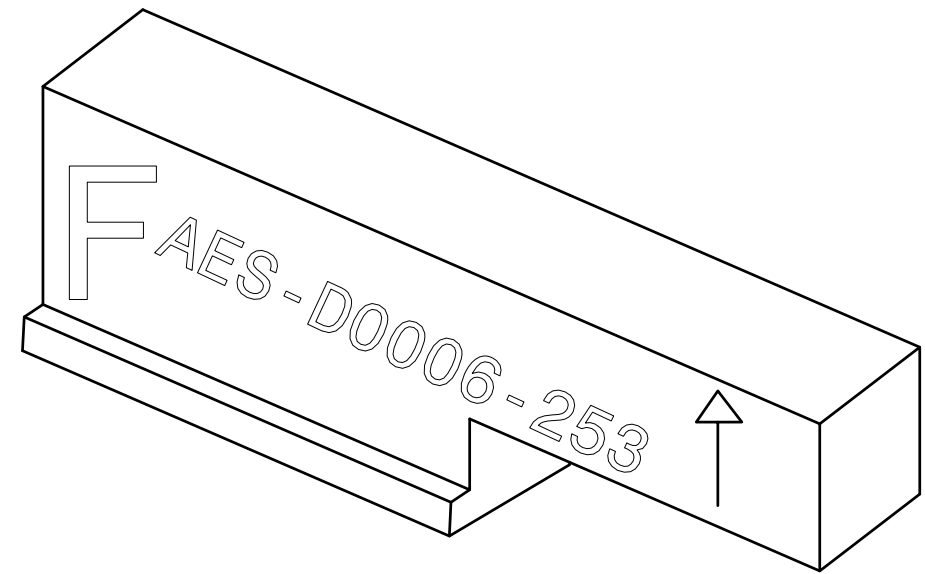
		DRAWING NUMBER			
		AES-D0006			
SIZE	SCALE	SHEET	OF	REVISION	
A3	NONE	122	166	D	

- 251



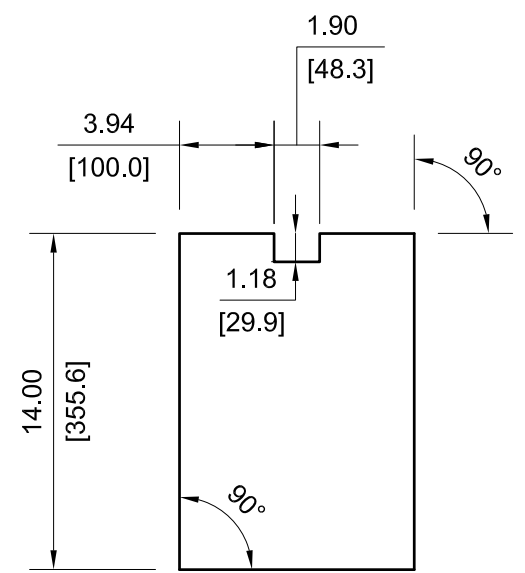
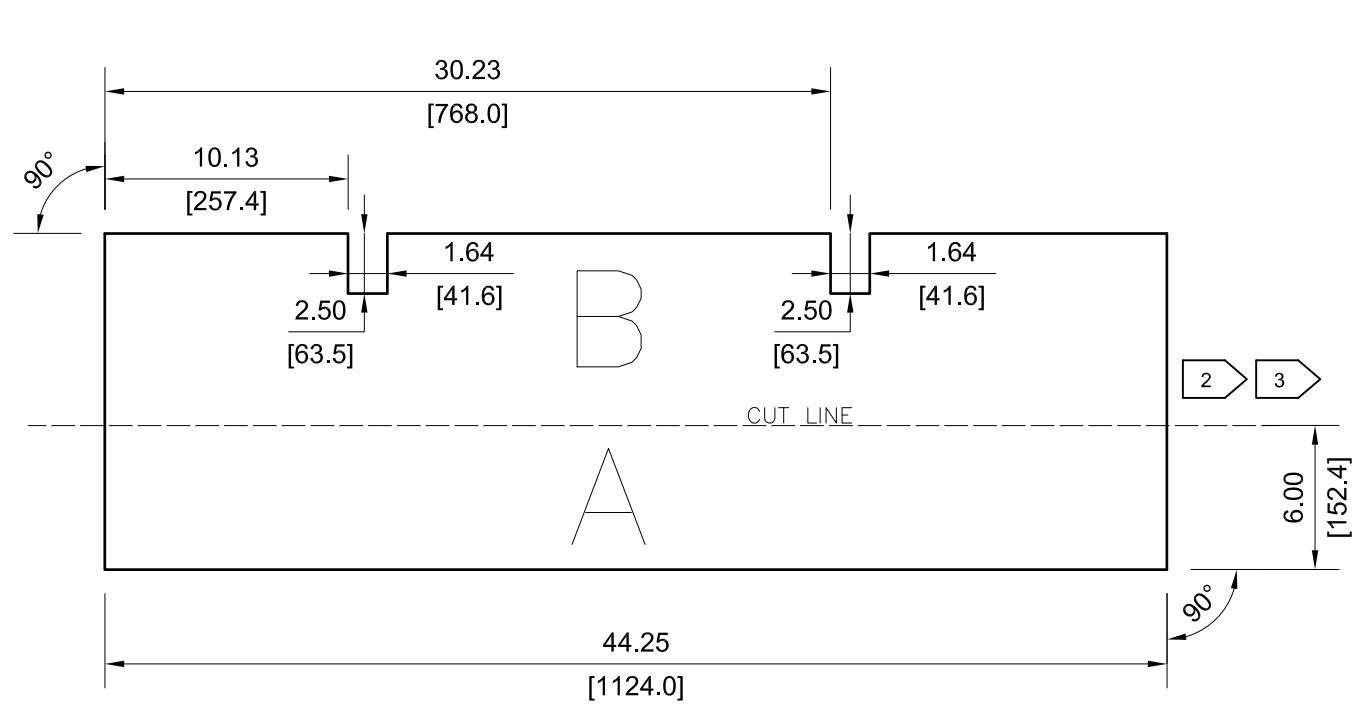
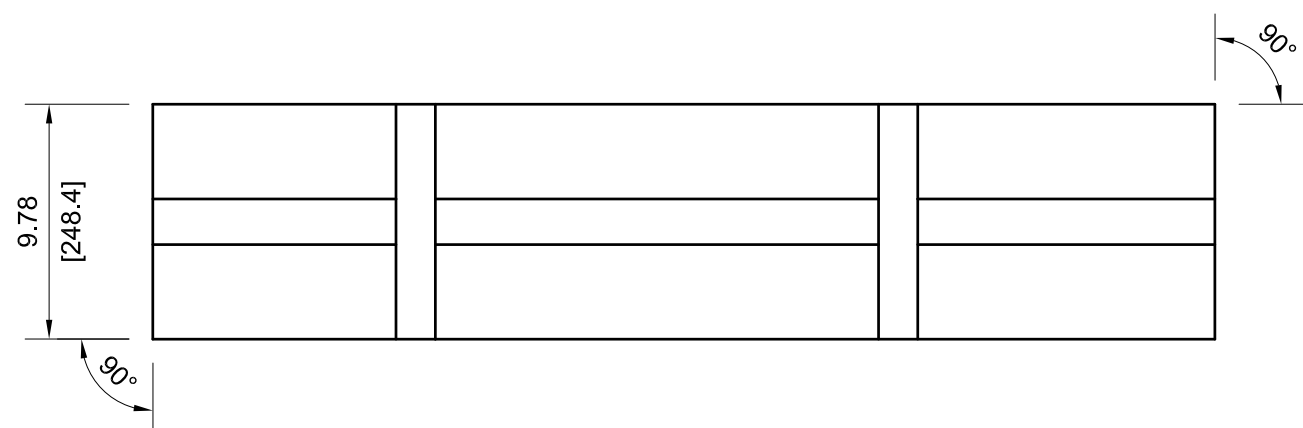
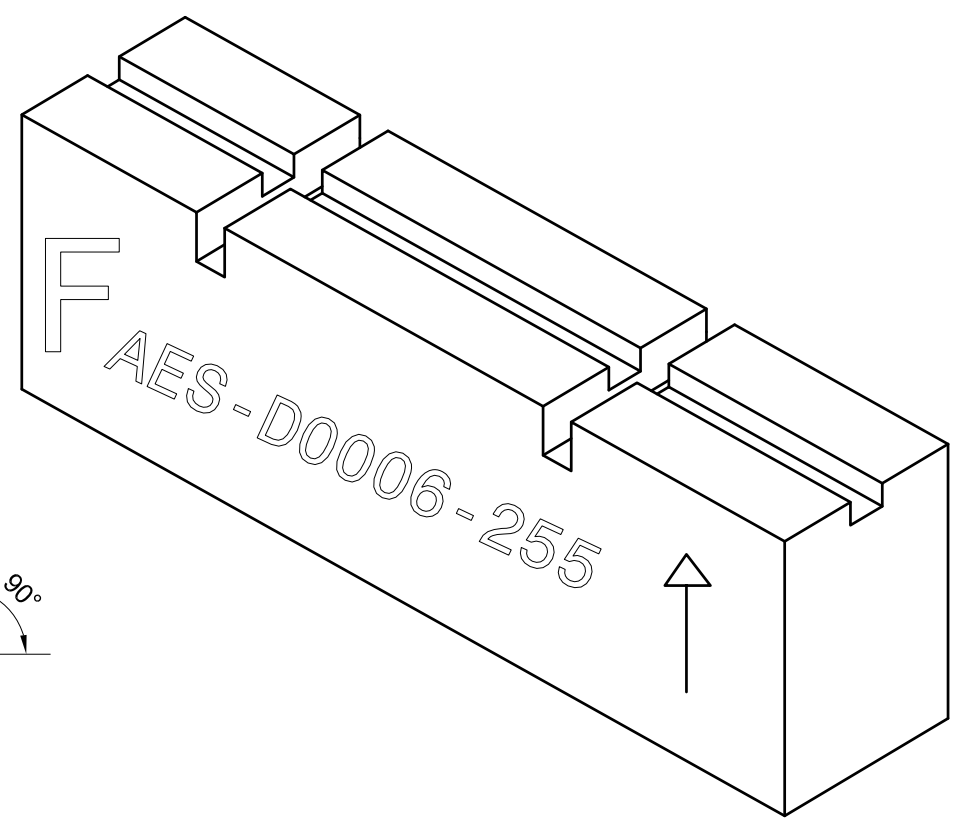
		DRAWING NUMBER			
		AES-D0006			
SIZE	SCALE	SHEET	OF	REVISION	
A3	NONE	123	166	D	

— 253



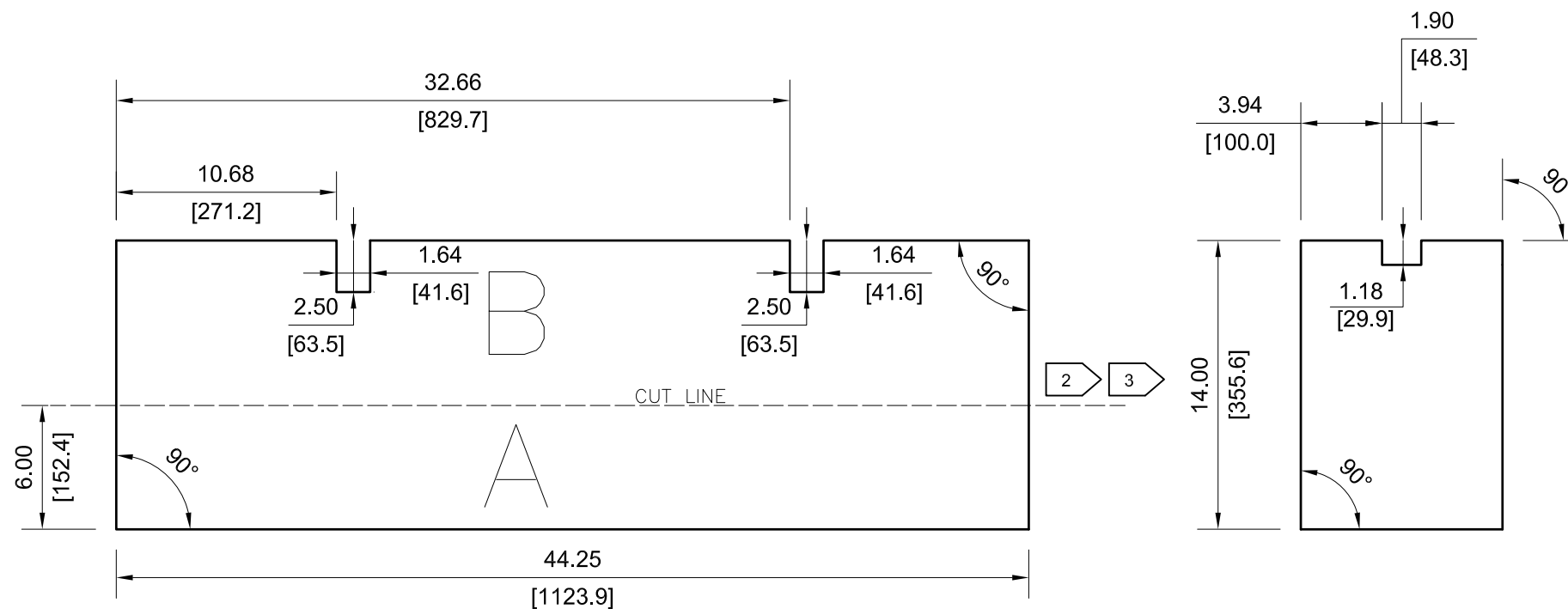
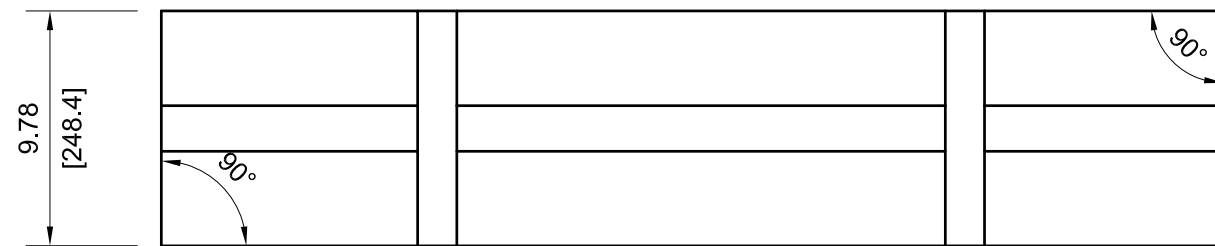
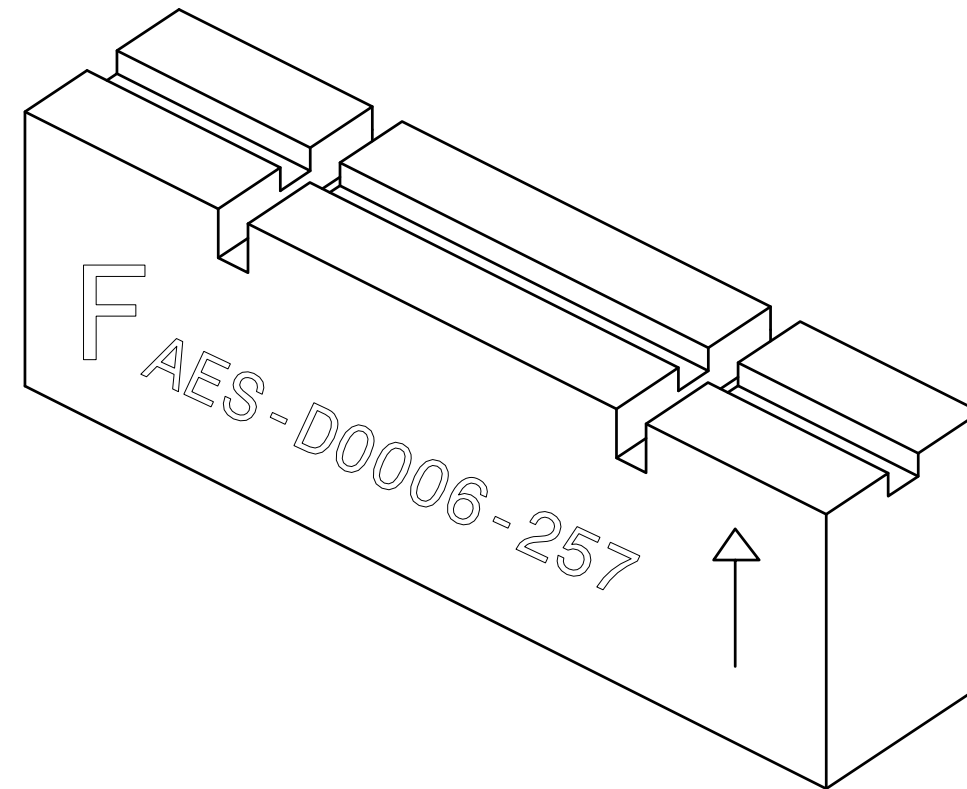
DRAWING NUMBER				
AES-D0006				
SIZE	SCALE	SHEET	OF	REVISION
A3	NONE	124	166	D

255



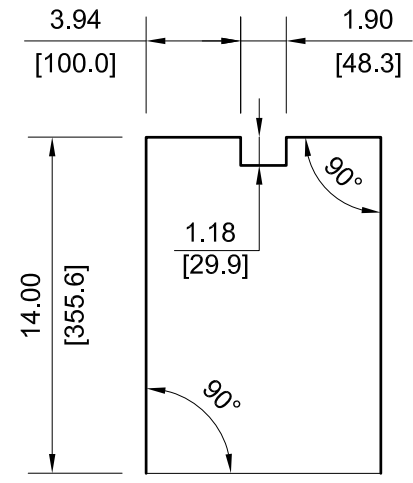
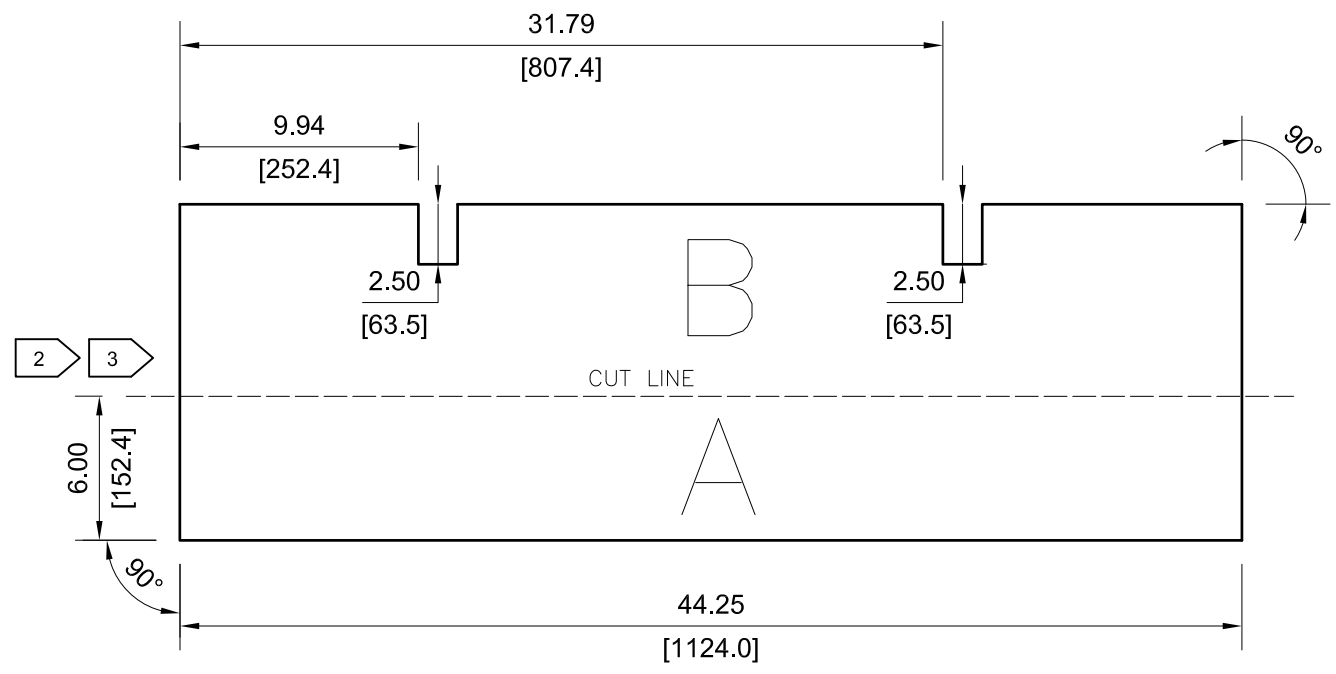
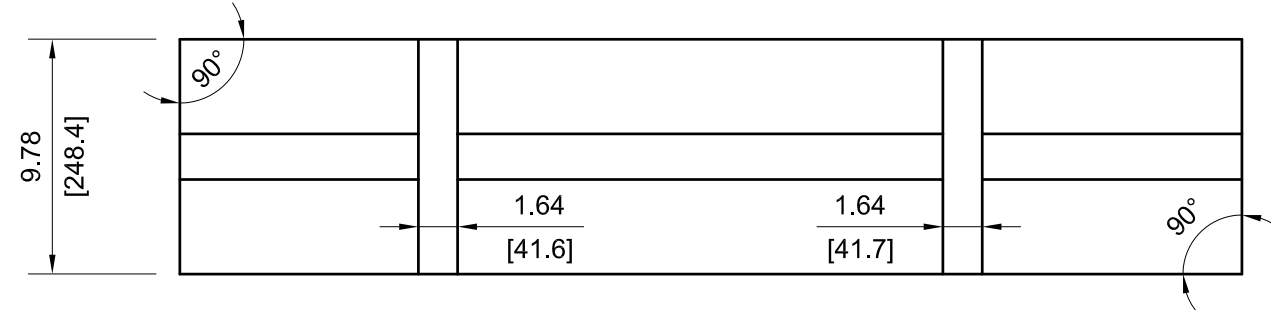
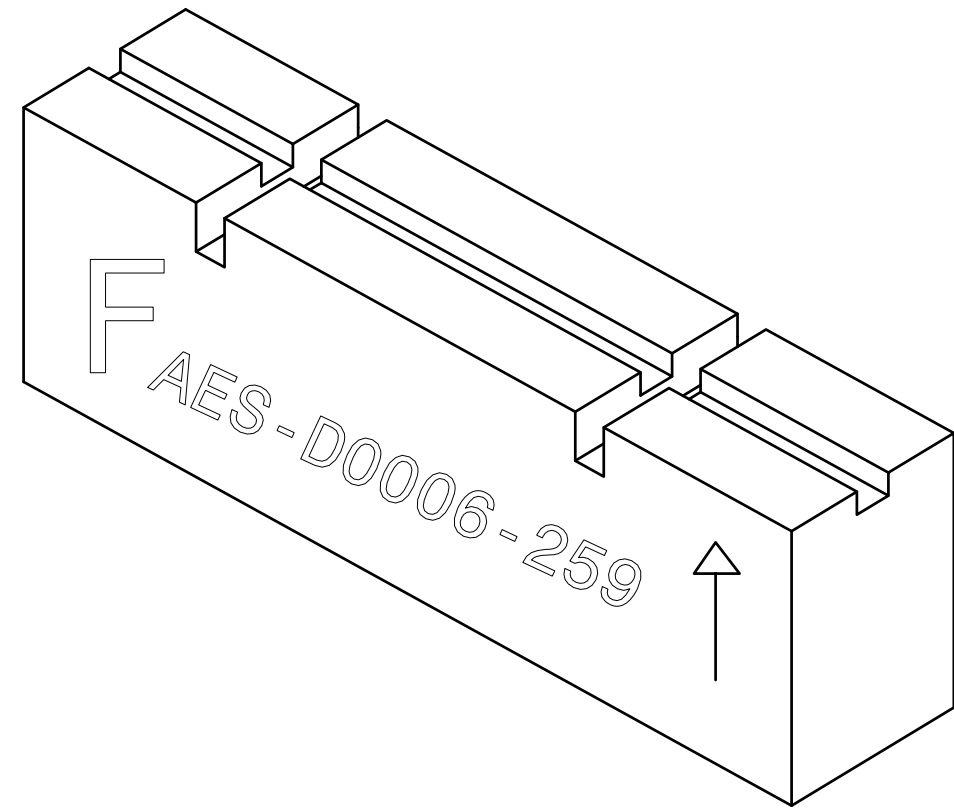
DRAWING NUMBER				
AES-D0006				
SIZE	SCALE	SHEET	OF	REVISION
A3	NONE	125	166	D


257



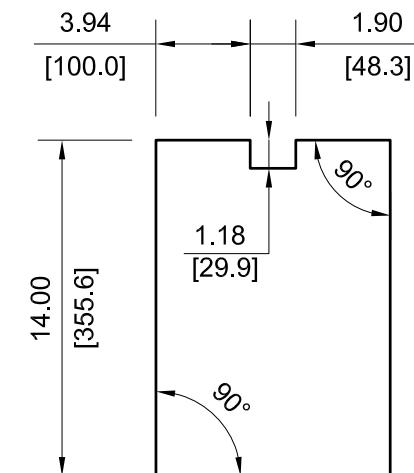
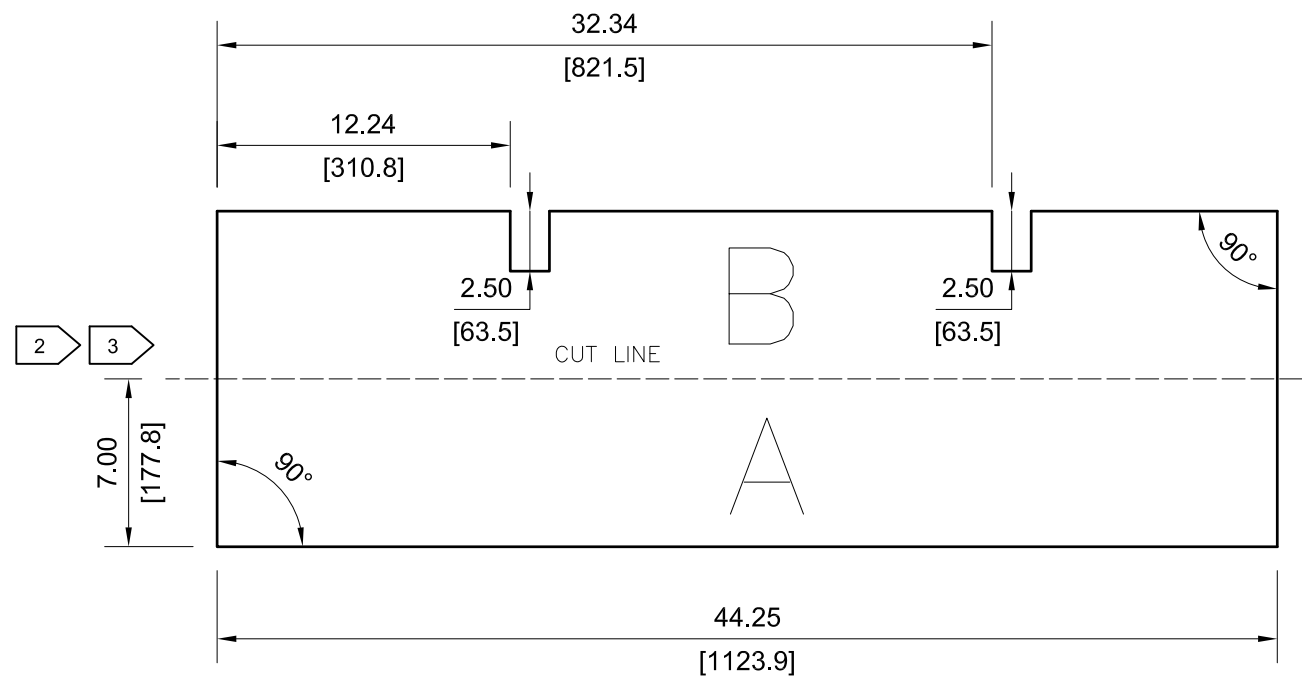
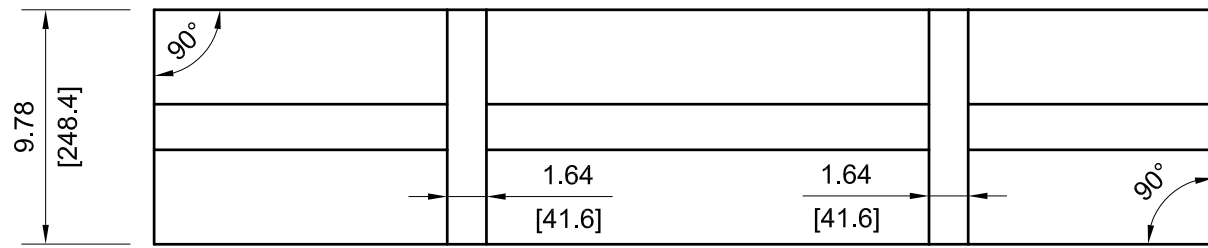
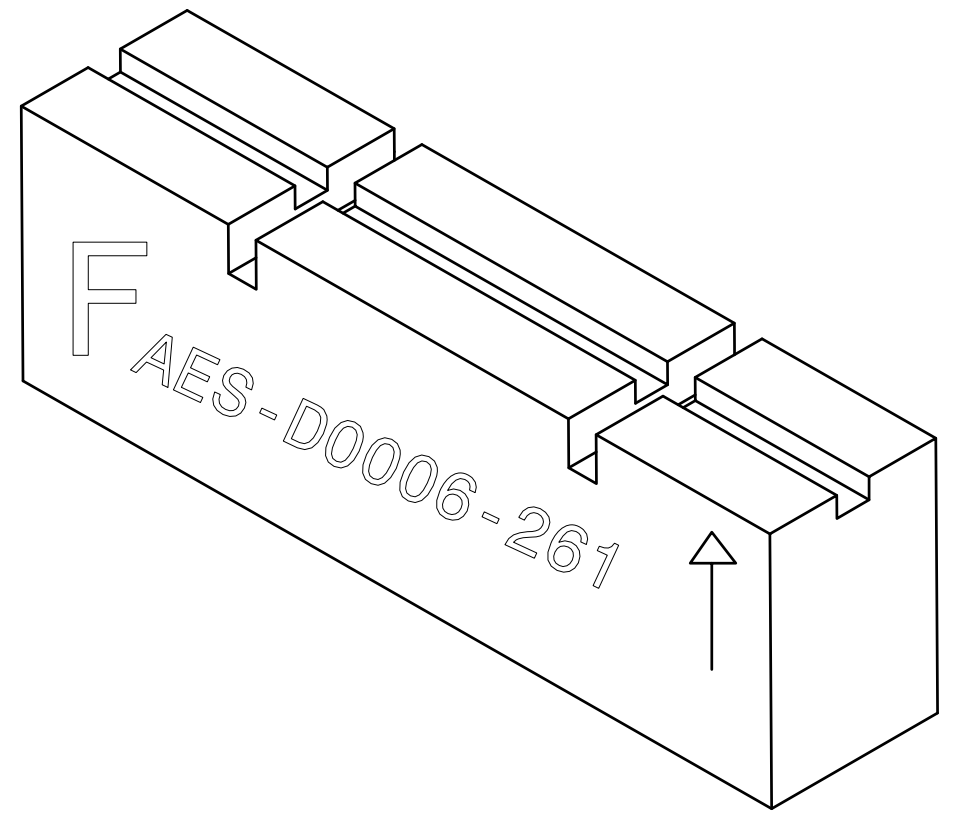
		DRAWING NUMBER			
		AES-D0006			
SIZE	SCALE	SHEET	OF	REVISION	
A3	NONE	126	166	D	


259



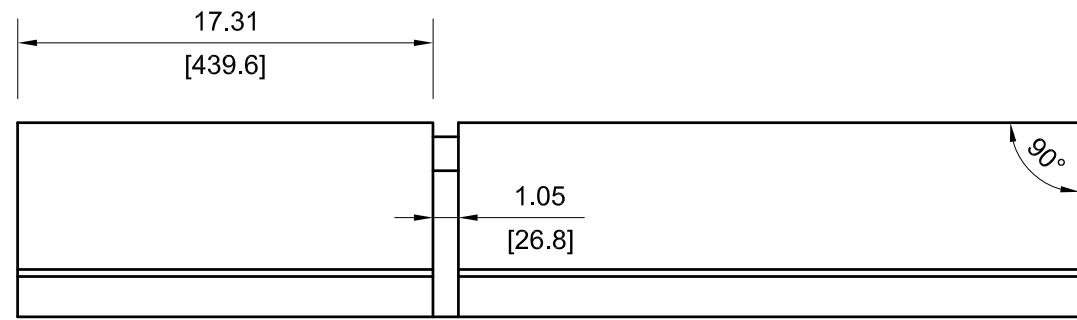
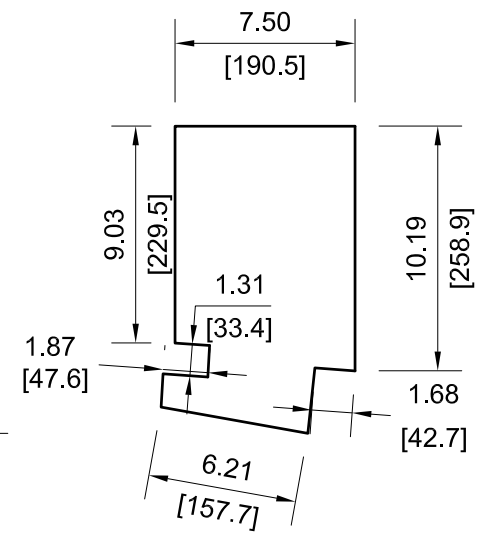
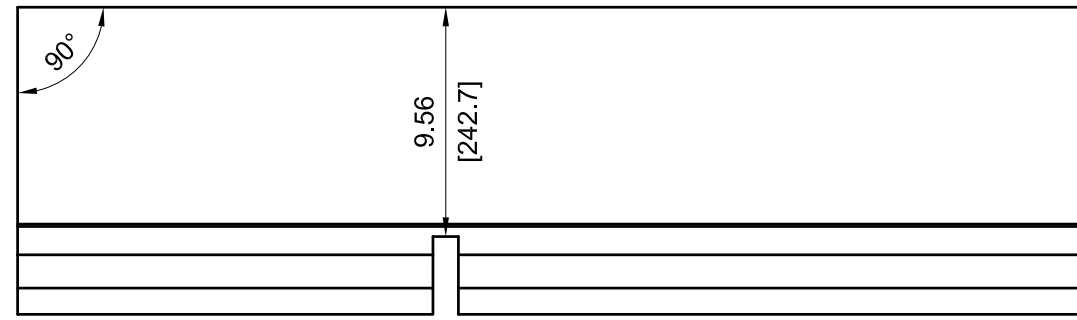
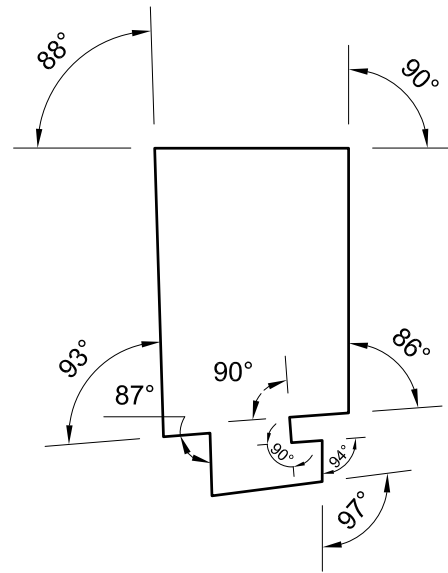
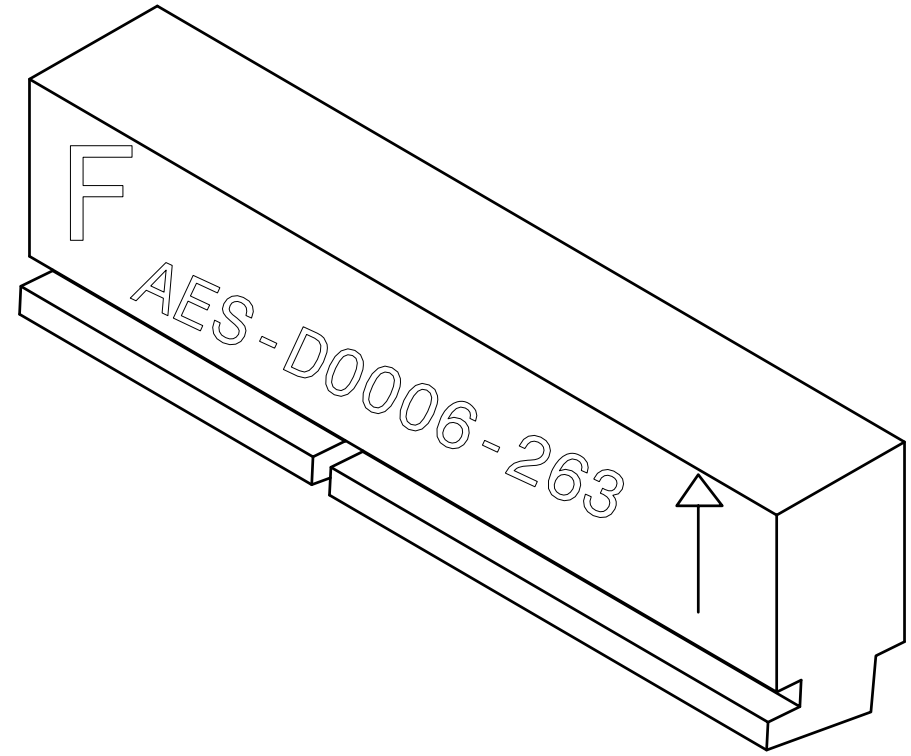
		DRAWING NUMBER			
		AES-D0006			
SIZE	SCALE	SHEET	OF	REVISION	
A3	NONE	127	166	D	

261



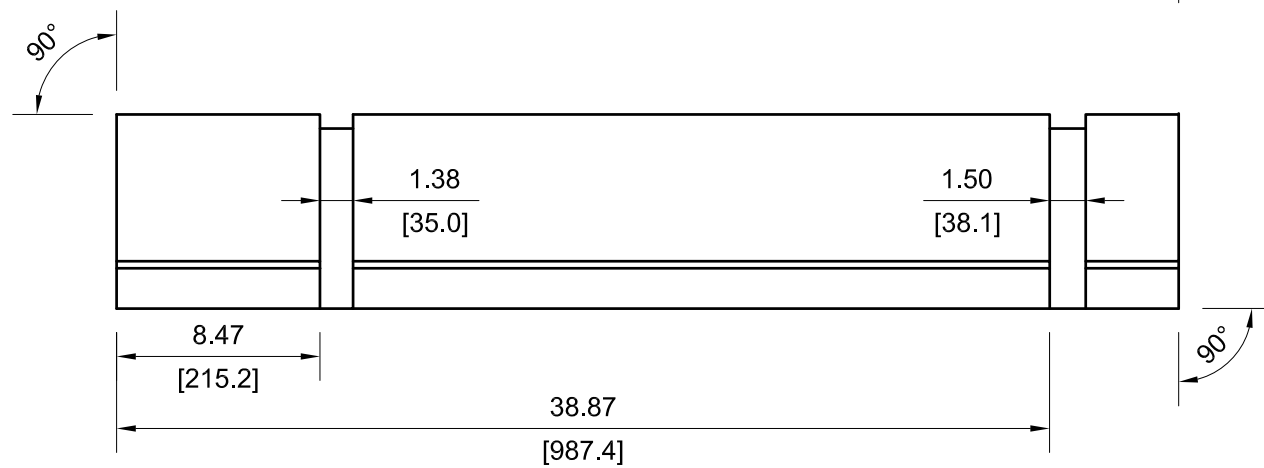
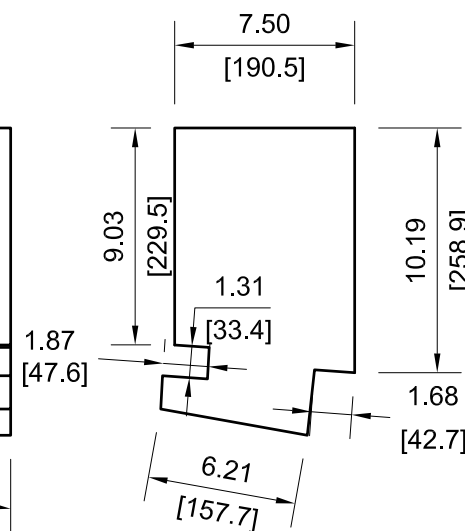
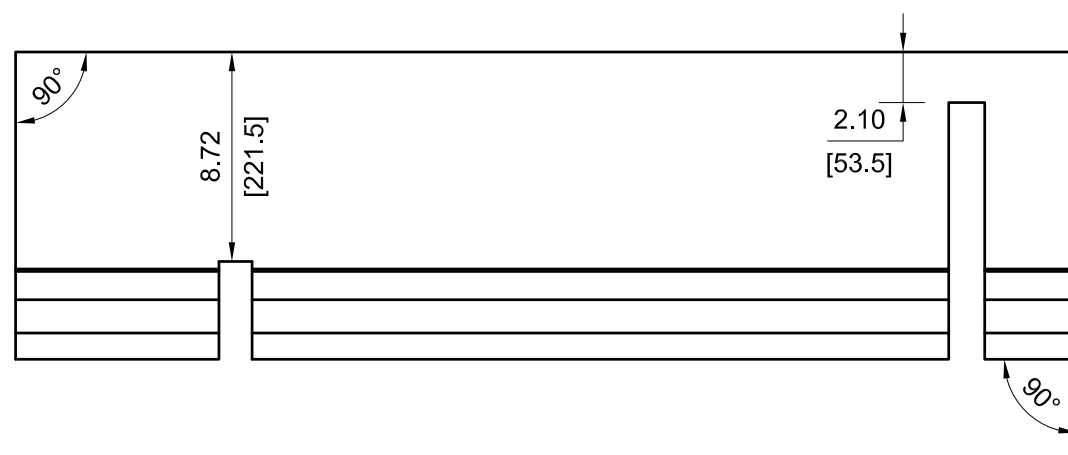
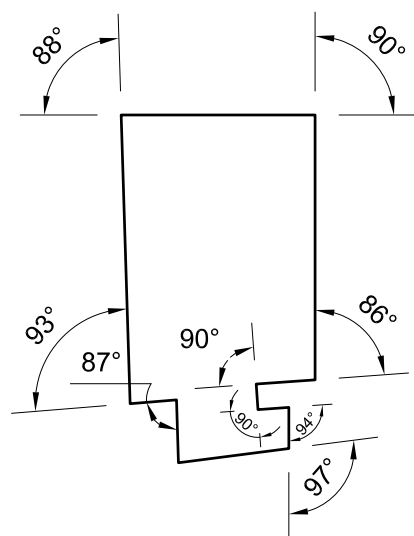
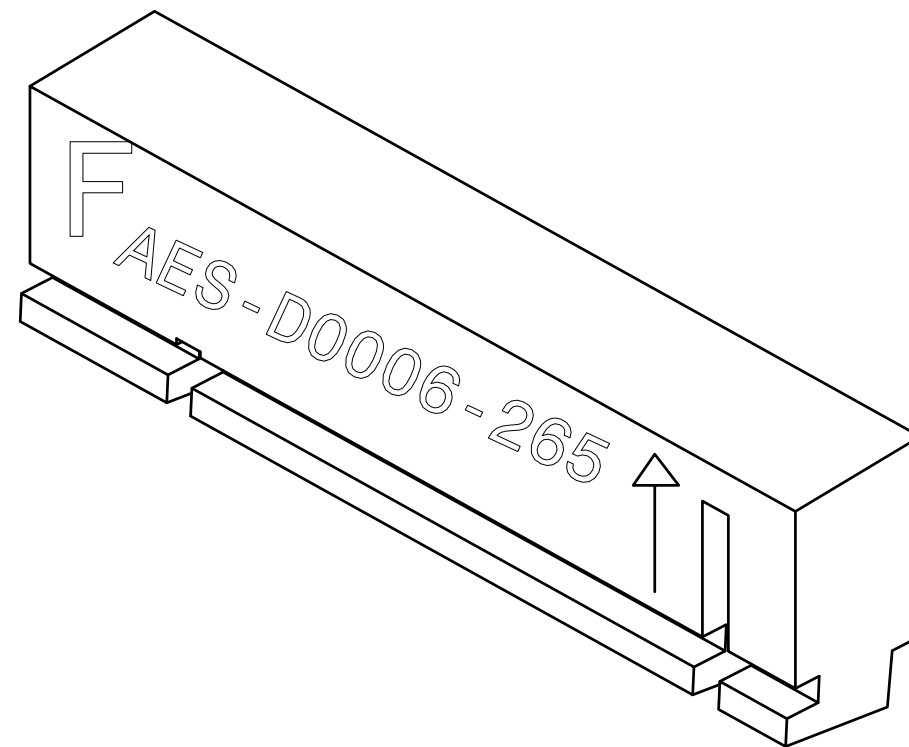
		DRAWING NUMBER			
		AES-D0006			
SIZE	SCALE	SHEET	OF	REVISION	
A3	NONE	128	166	D	

- 263



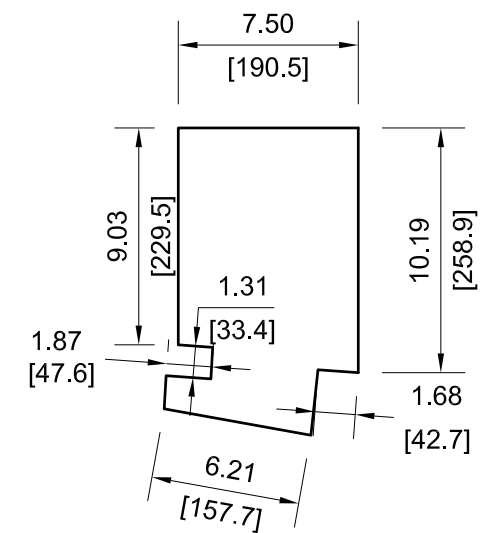
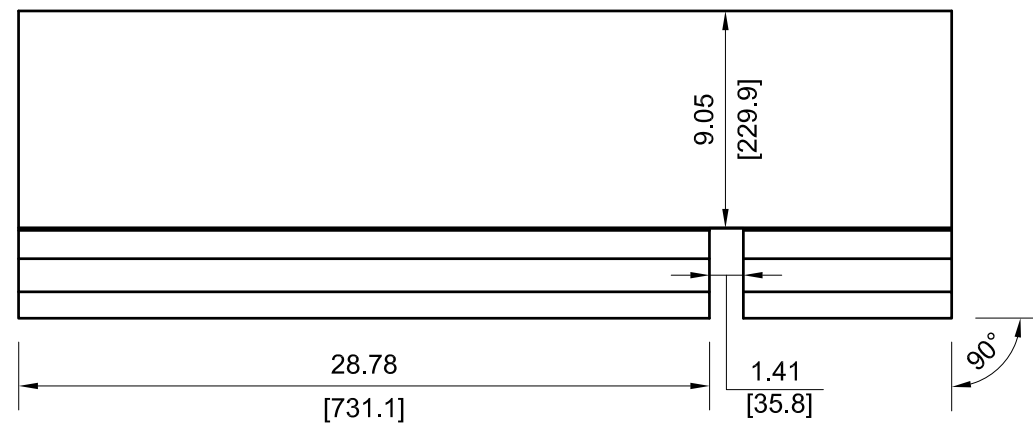
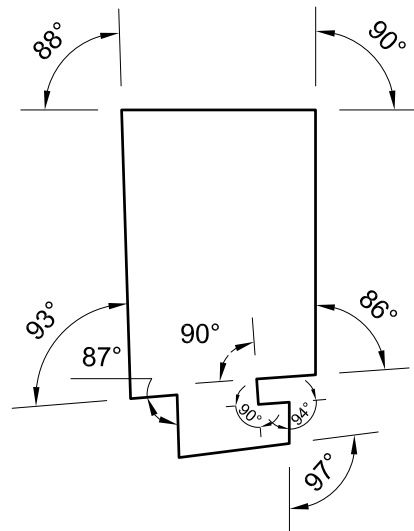
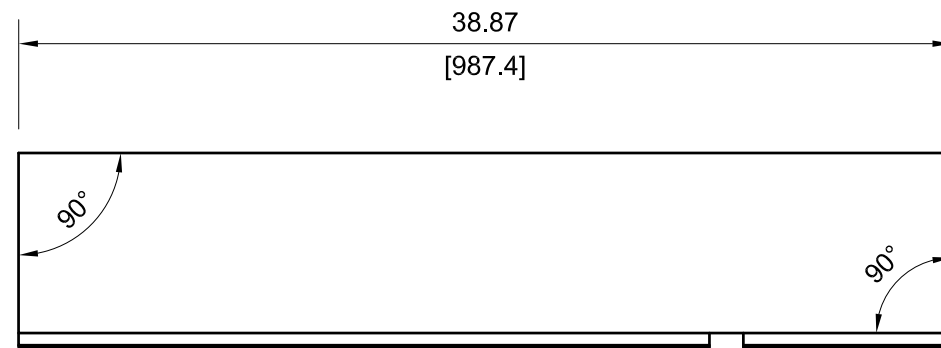
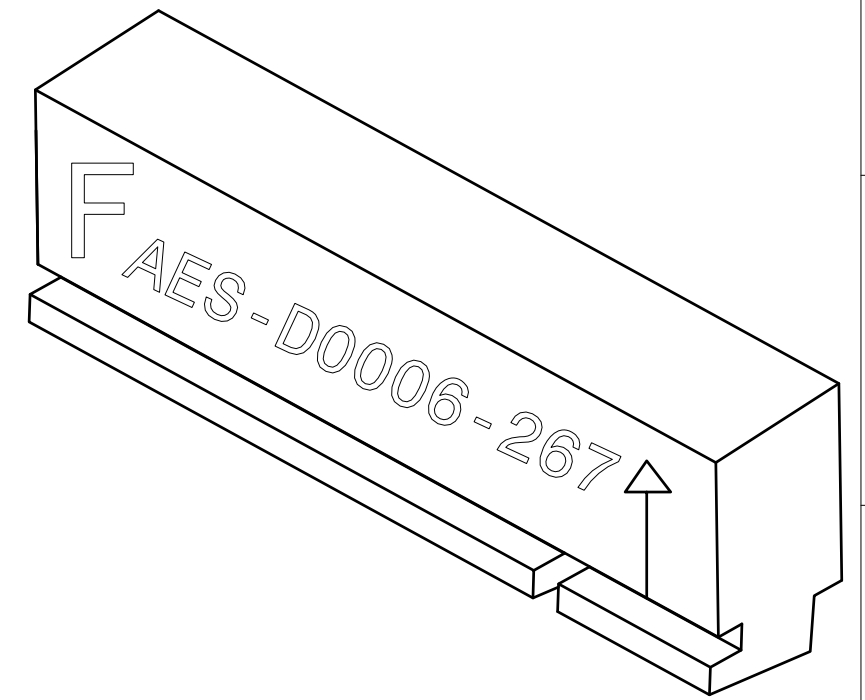
DRAWING NUMBER				
AES-D0006				
SIZE	SCALE	SHEET	OF	REVISION
A3	NONE	129	166	D

265



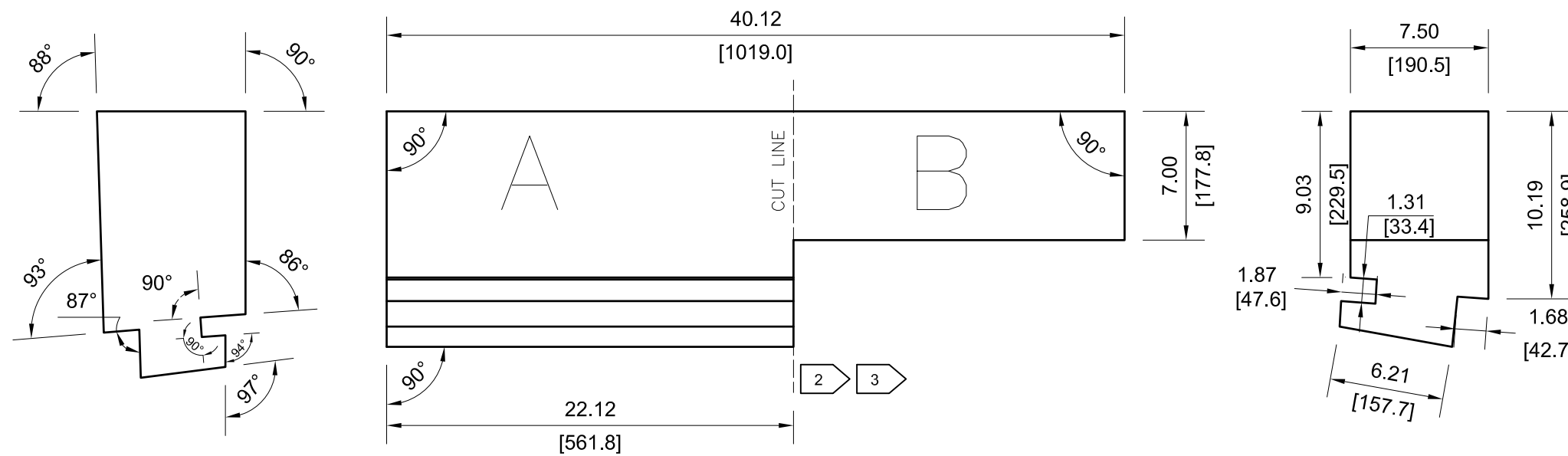
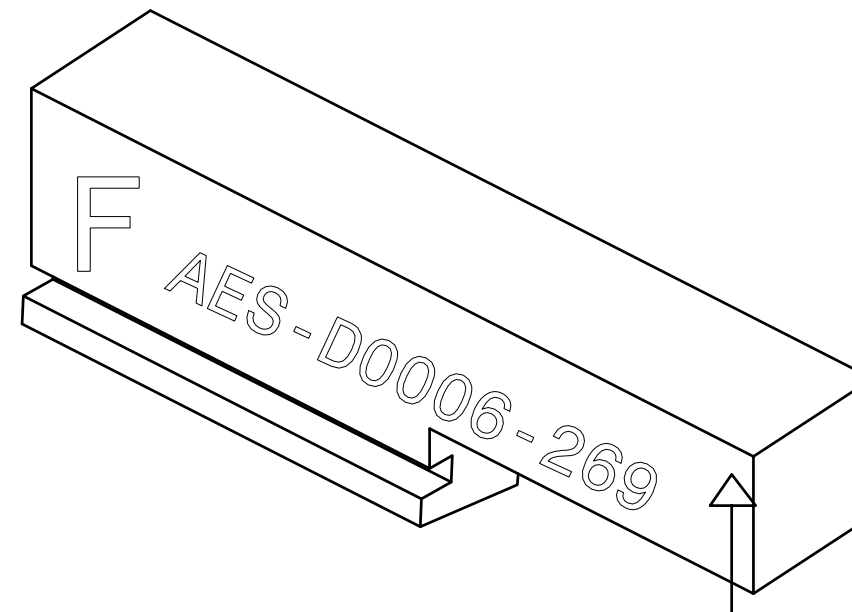
DRAWING NUMBER				
AES-D0006				
SIZE	SCALE	SHEET	OF	REVISION
A3	NONE	130	166	D


- 267



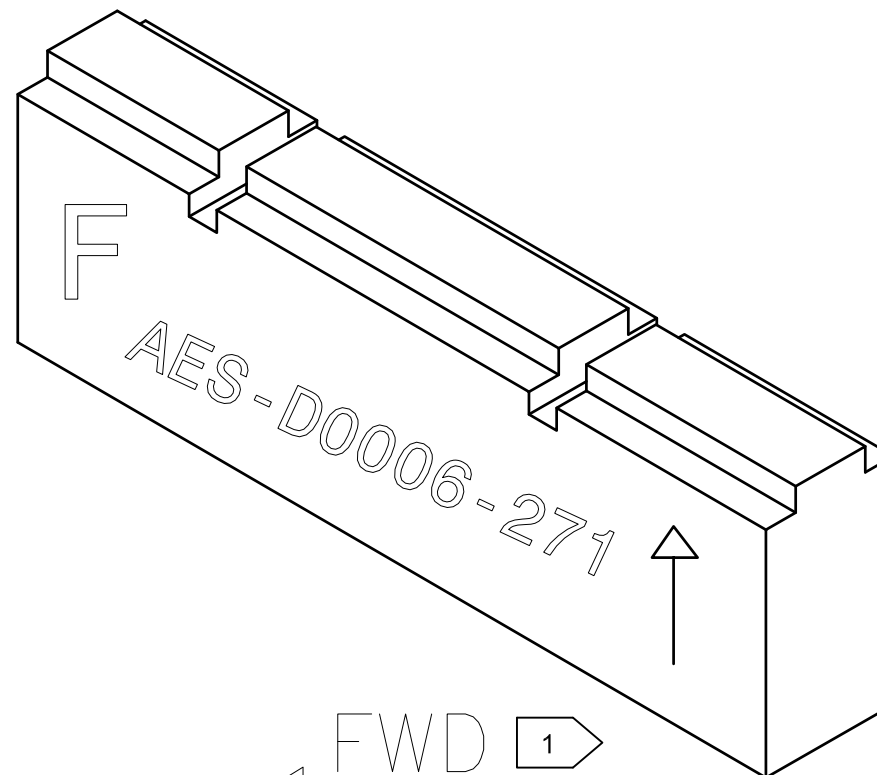
DRAWING NUMBER				AES-D0006	
SIZE	SCALE	SHEET	OF	REVISION	
A3	NONE	131	166	D	

— 269

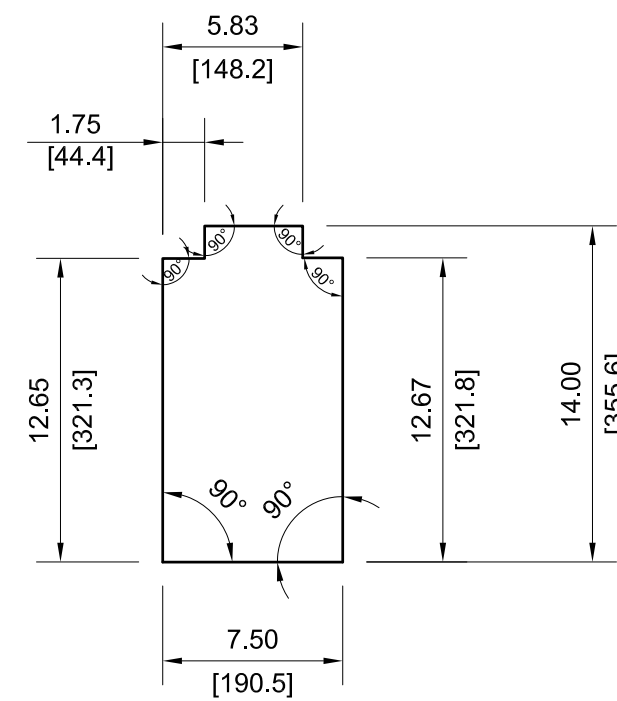
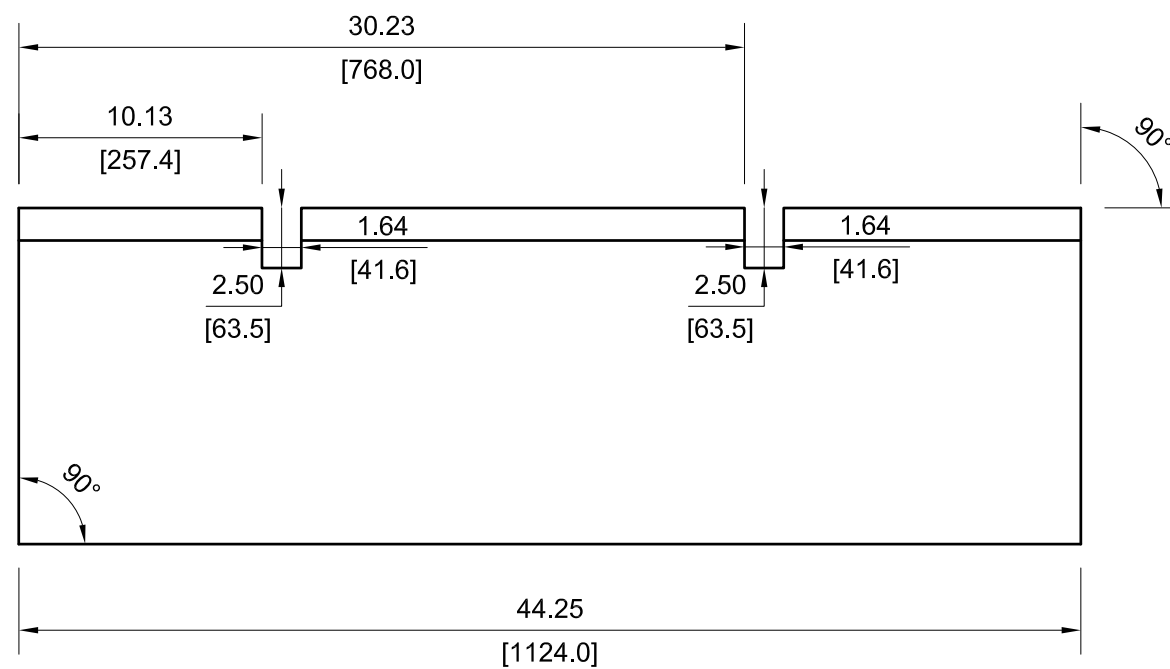



	DRAWING NUMBER				AES-D0006	
	SIZE	SCALE	SHEET	OF	REVISION	
A3	NONE	132	166	D		

- 271

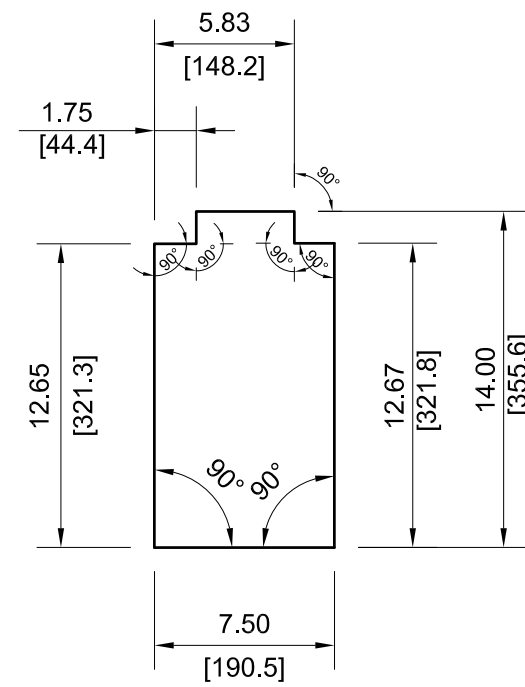
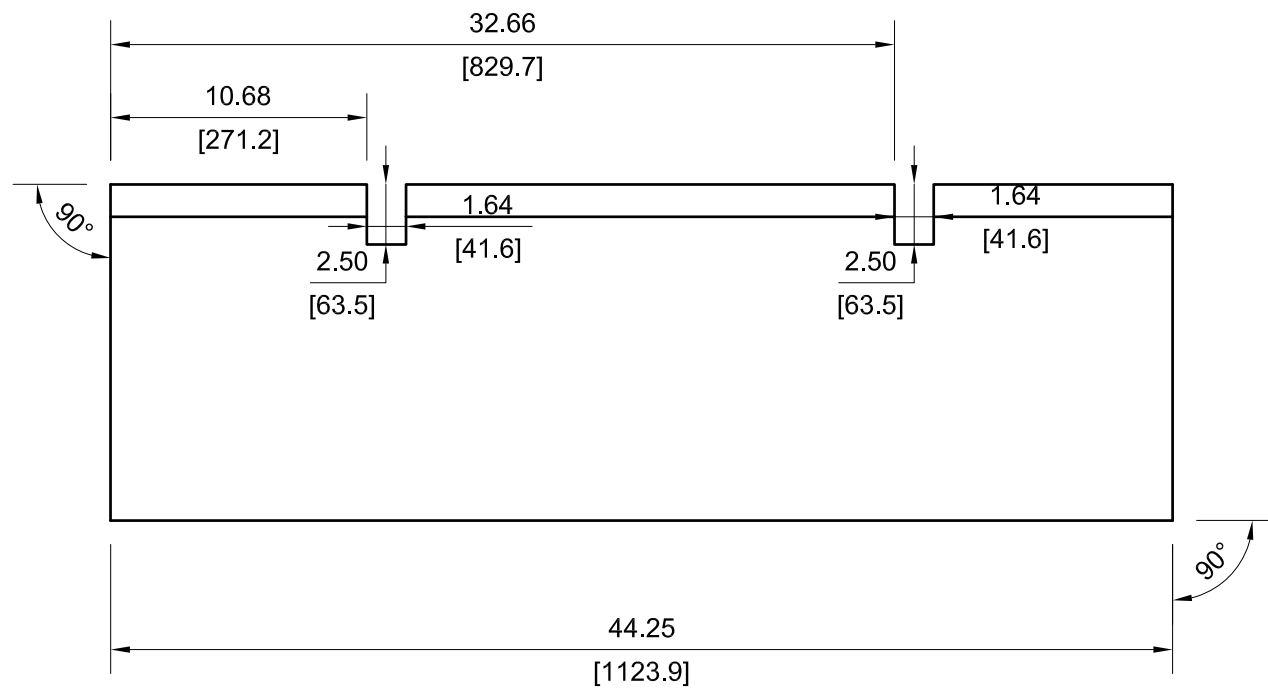
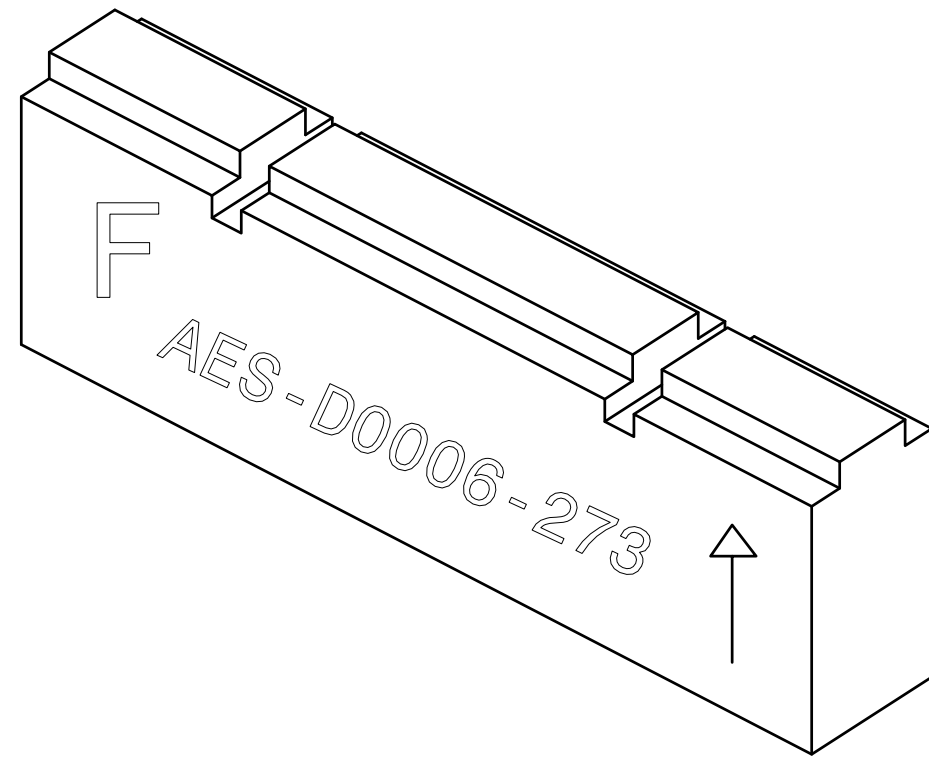


FWD 1



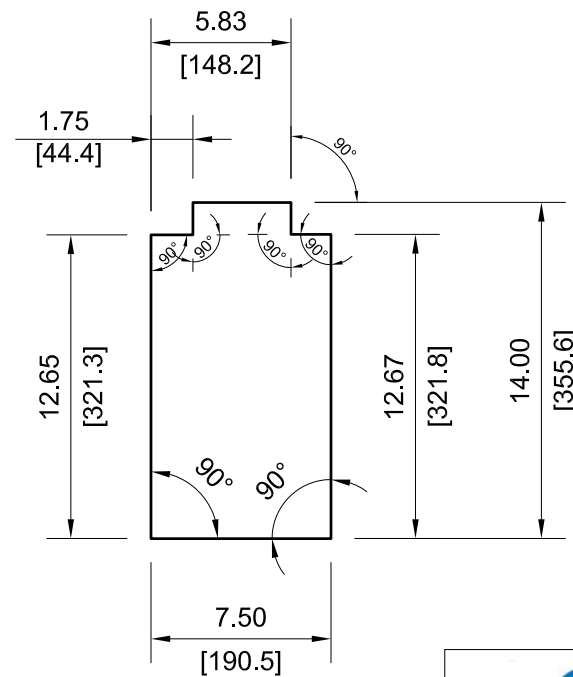
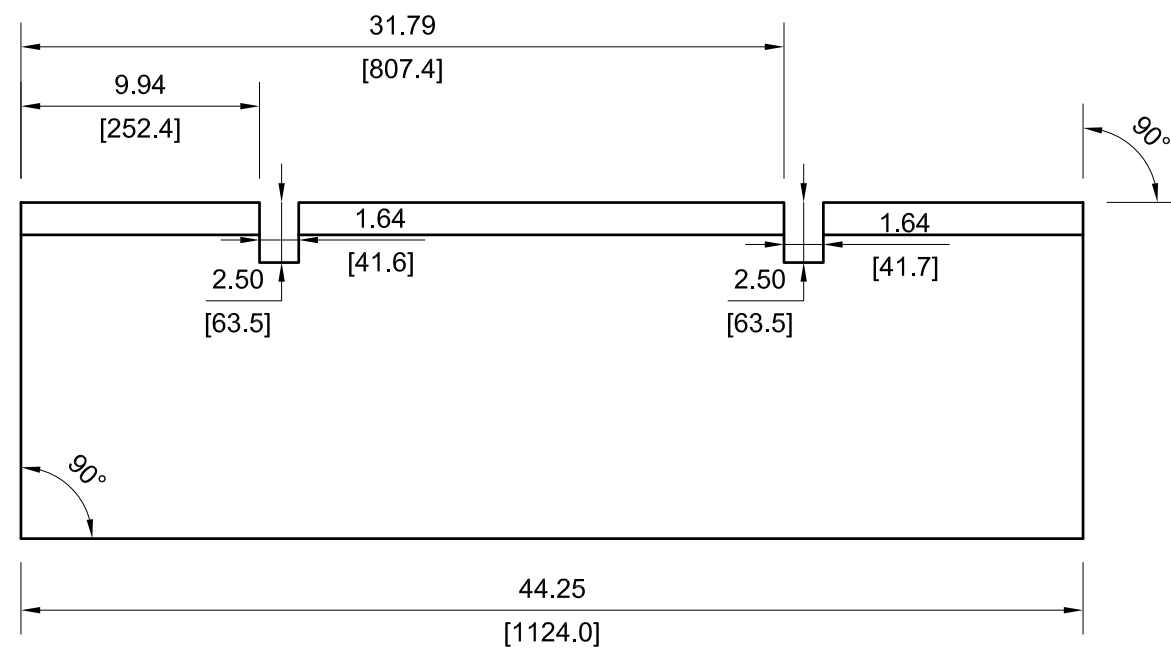
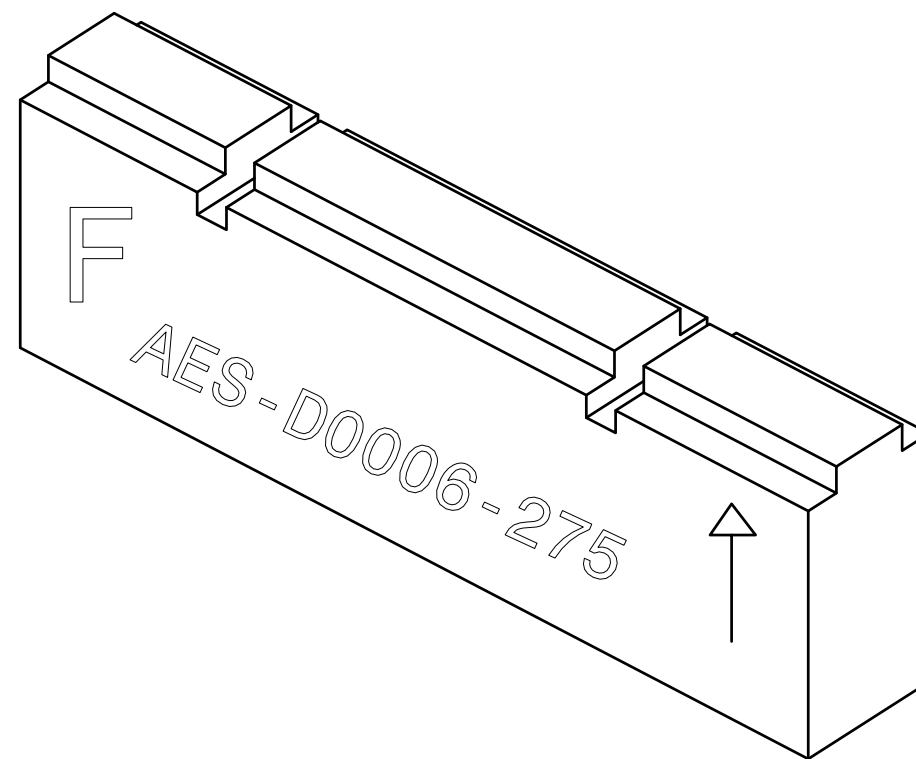
		DRAWING NUMBER			
		AES-D0006			
SIZE	SCALE	SHEET	OF	REVISION	
A3	NONE	133	166	D	

- 273



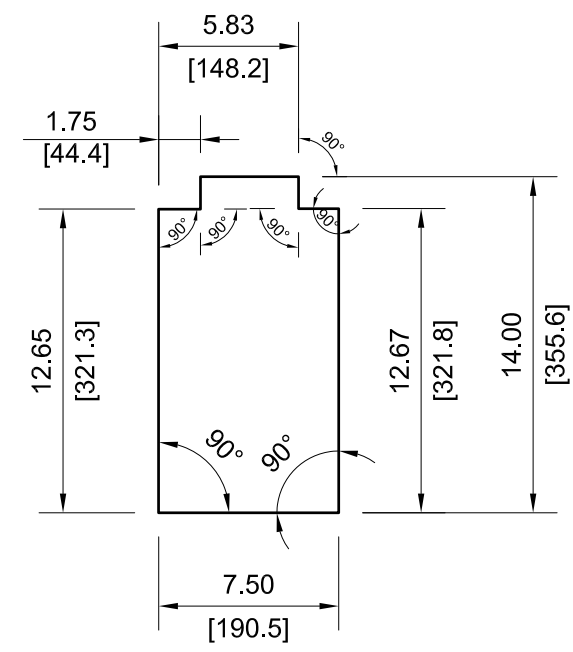
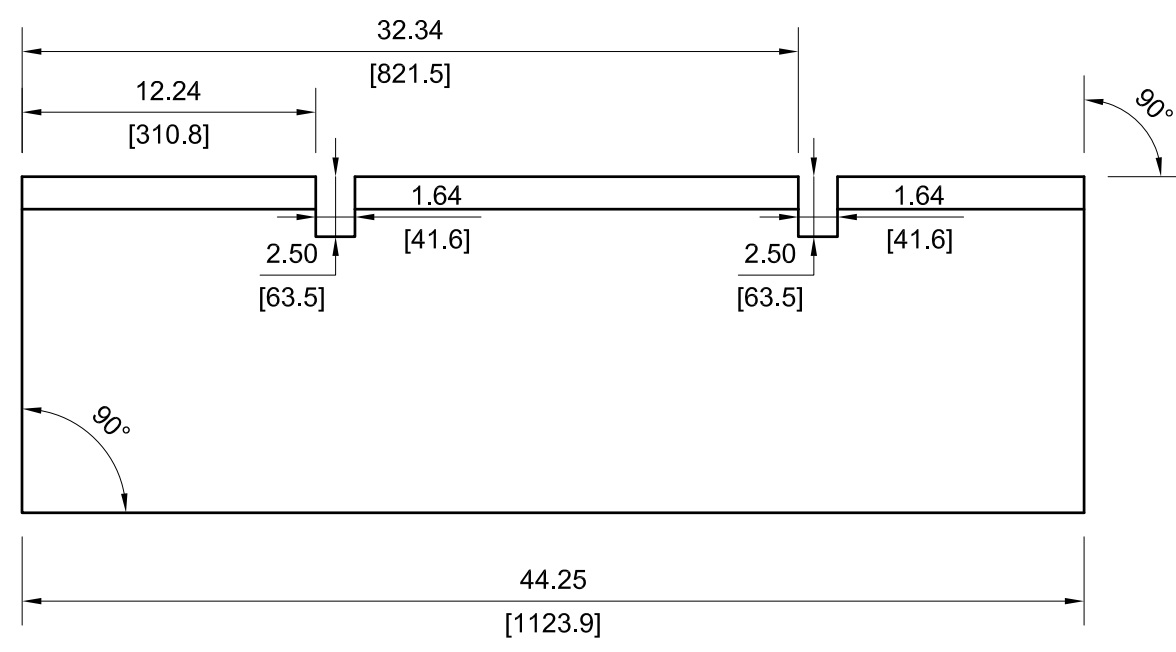
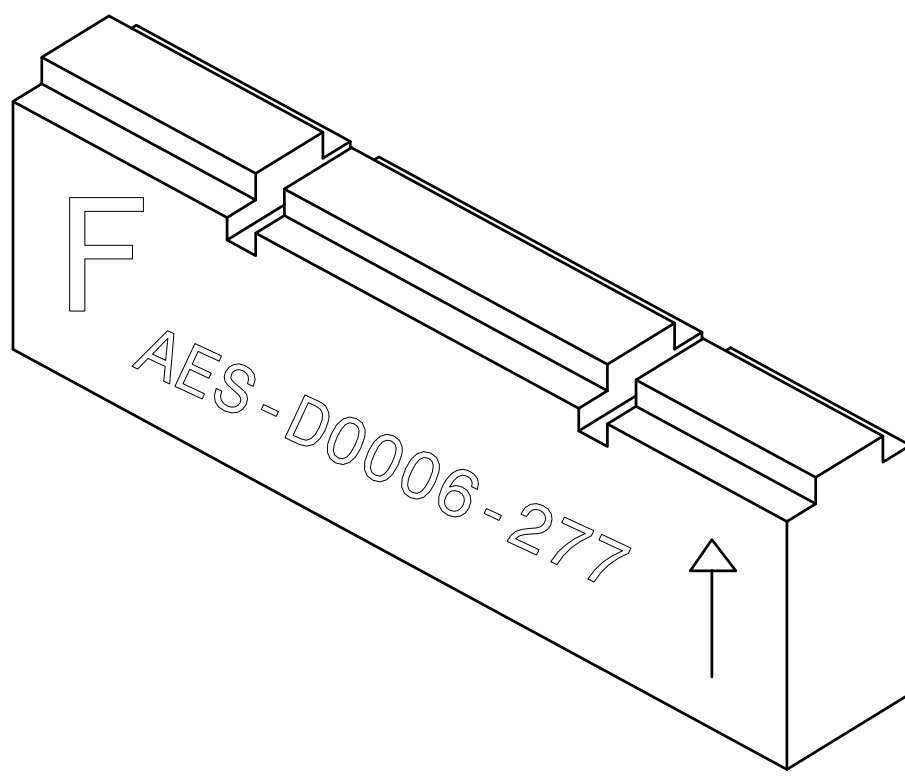
DRAWING NUMBER				
AES-D0006				
SIZE	SCALE	SHEET	OF	REVISION
A3	NONE	134	166	D

- 275



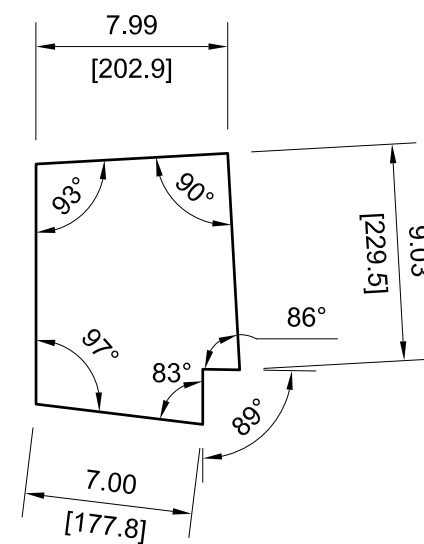
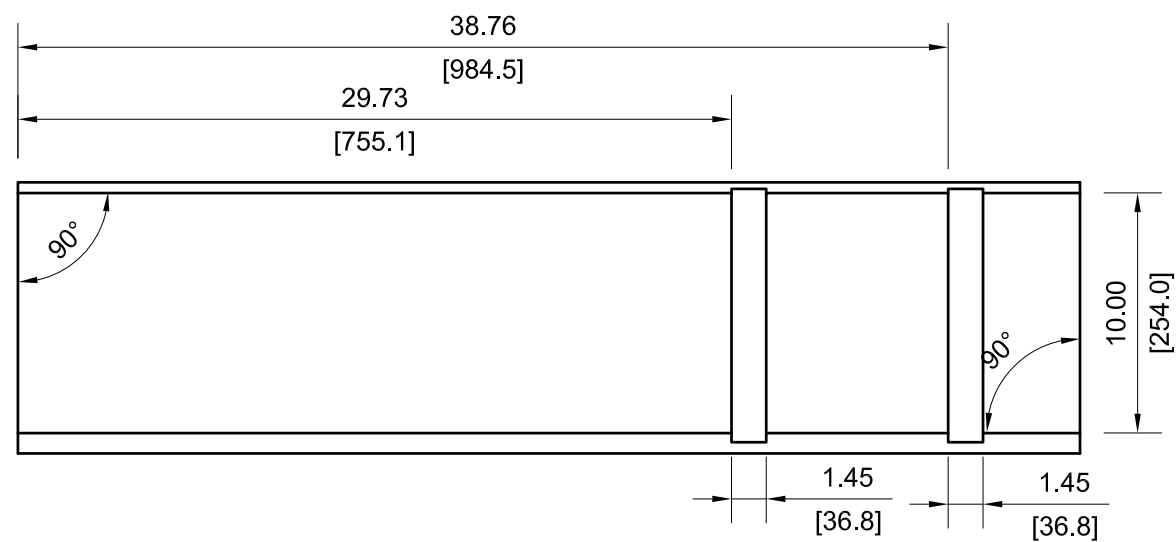
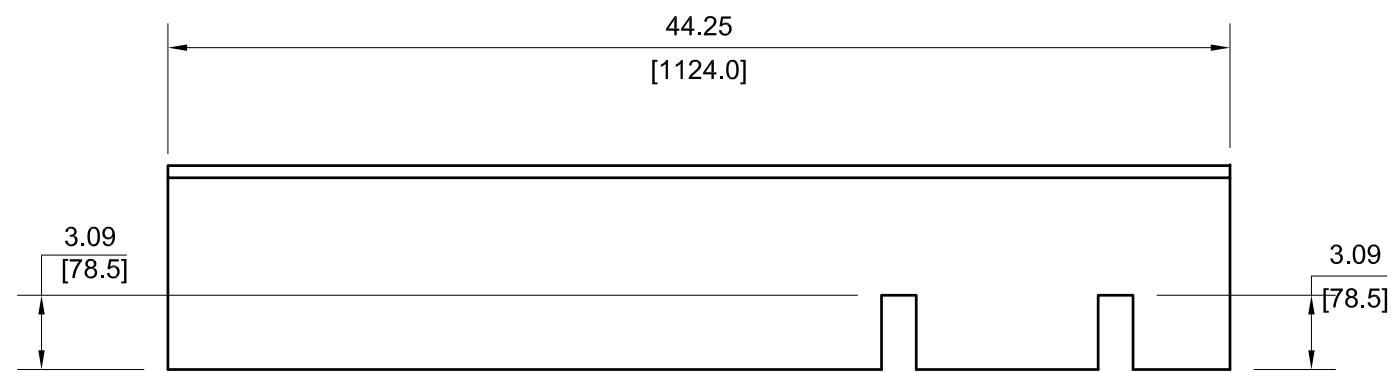
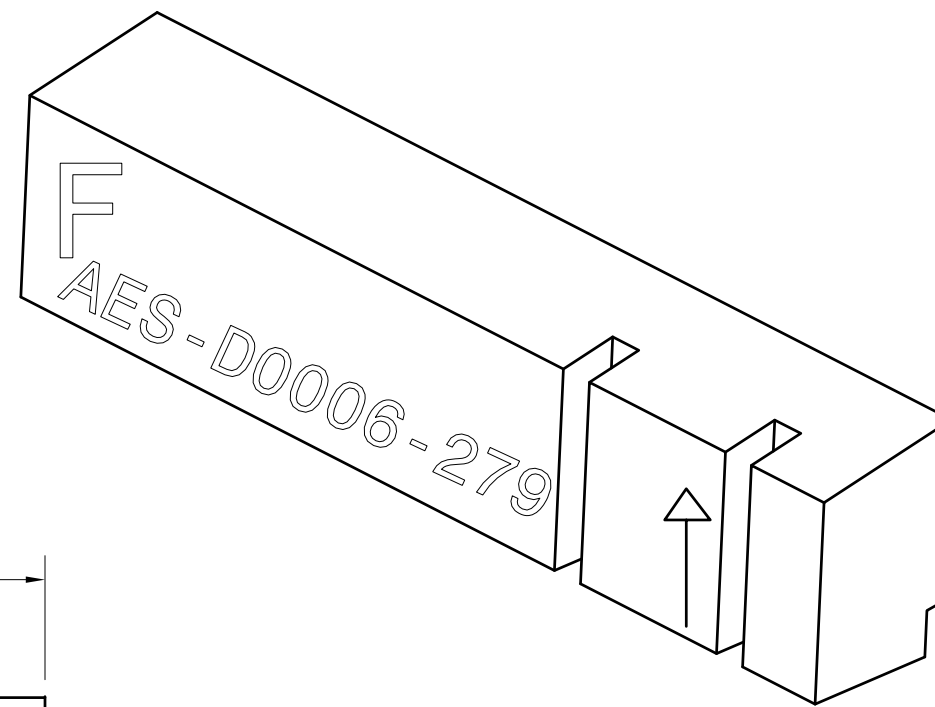
DRAWING NUMBER				
AES-D0006				
SIZE	SCALE	SHEET	OF	REVISION
A3	NONE	135	166	D

- 277



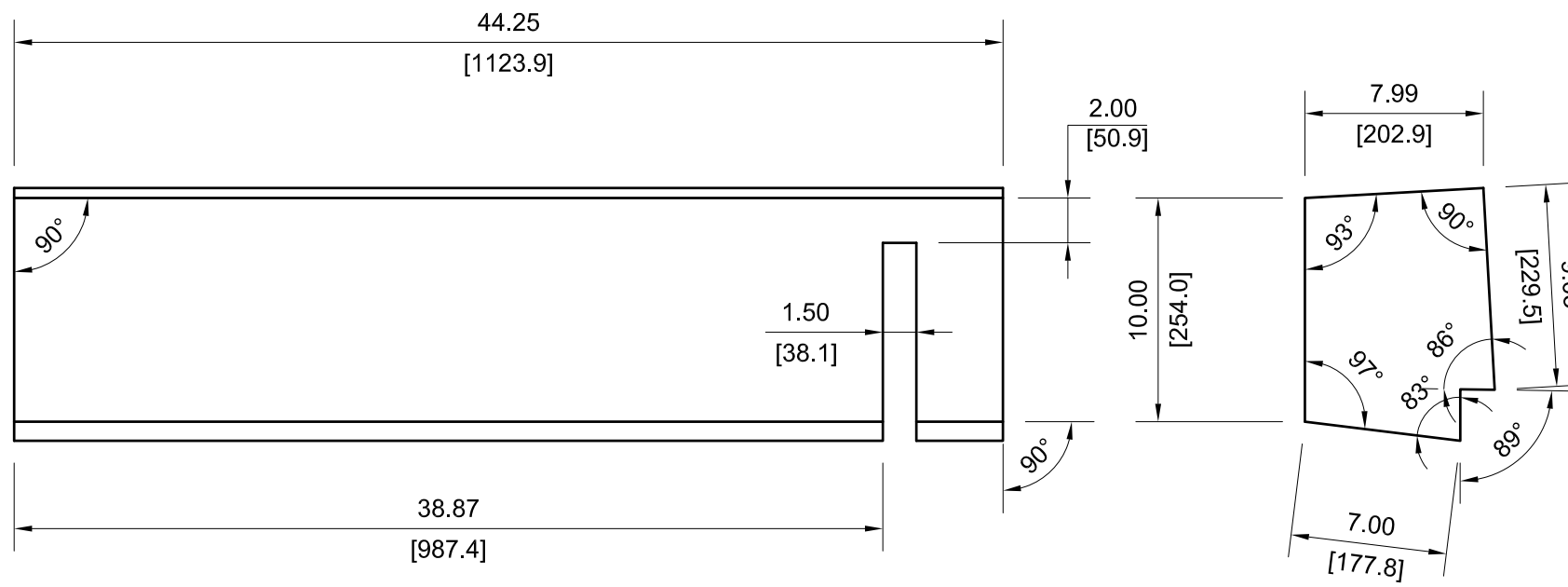
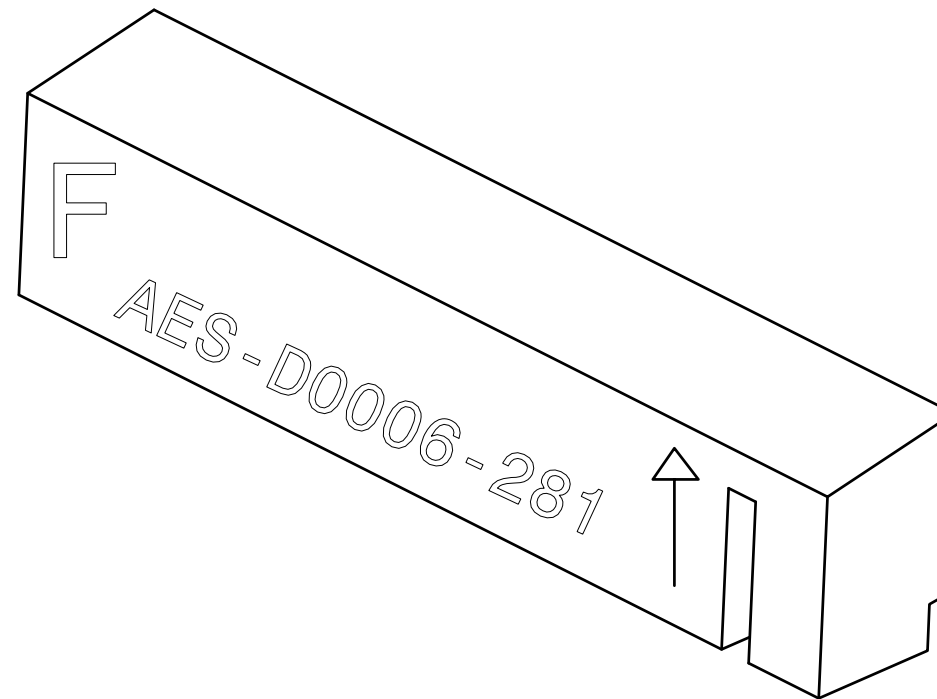
		DRAWING NUMBER			
		AES-D0006			
SIZE	SCALE	SHEET	OF	REVISION	
A3	NONE	136	166	D	


279



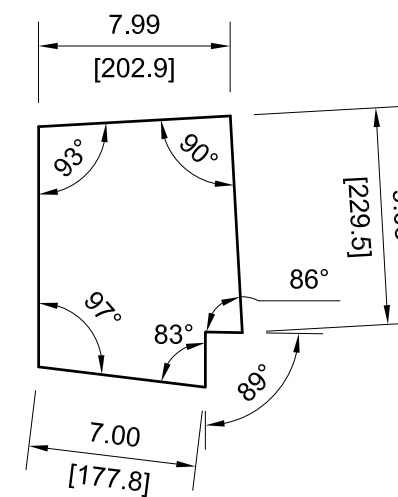
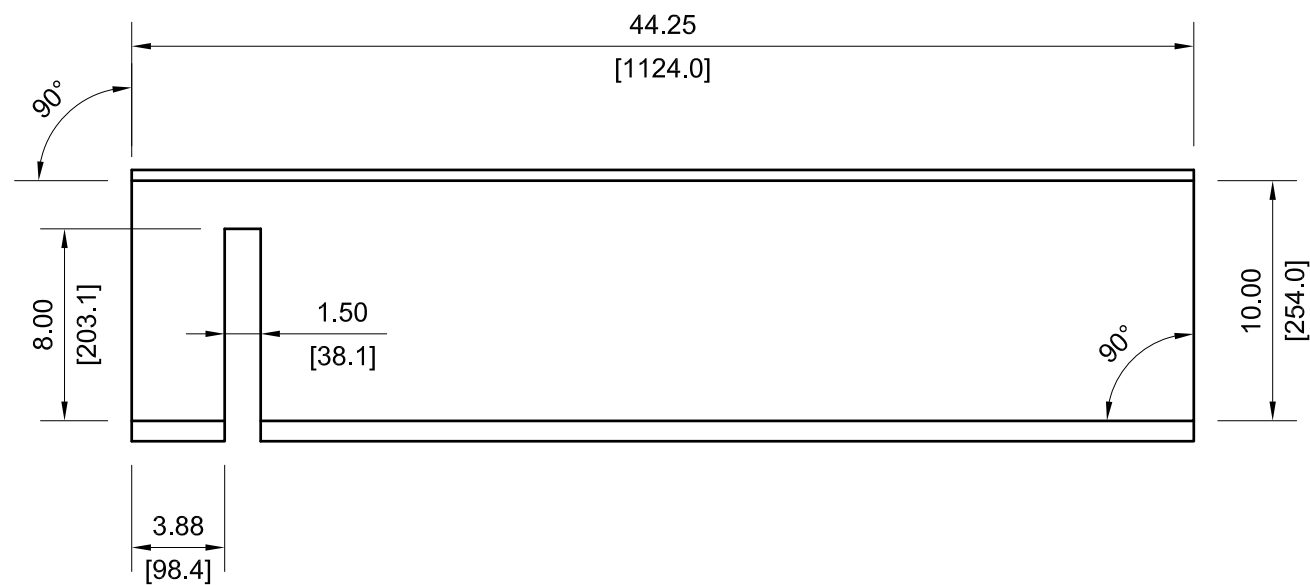
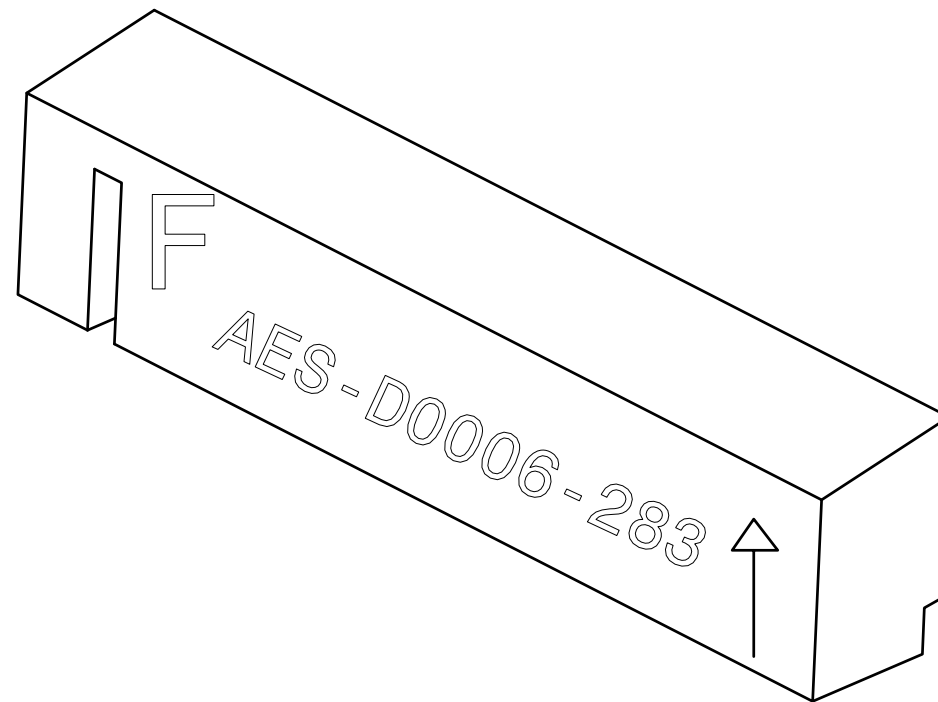
DRAWING NUMBER				
AES-D0006				
SIZE	SCALE	SHEET	OF	REVISION
A3	NONE	137	166	D

— 281



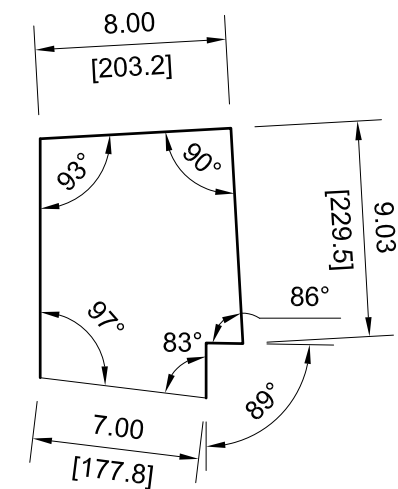
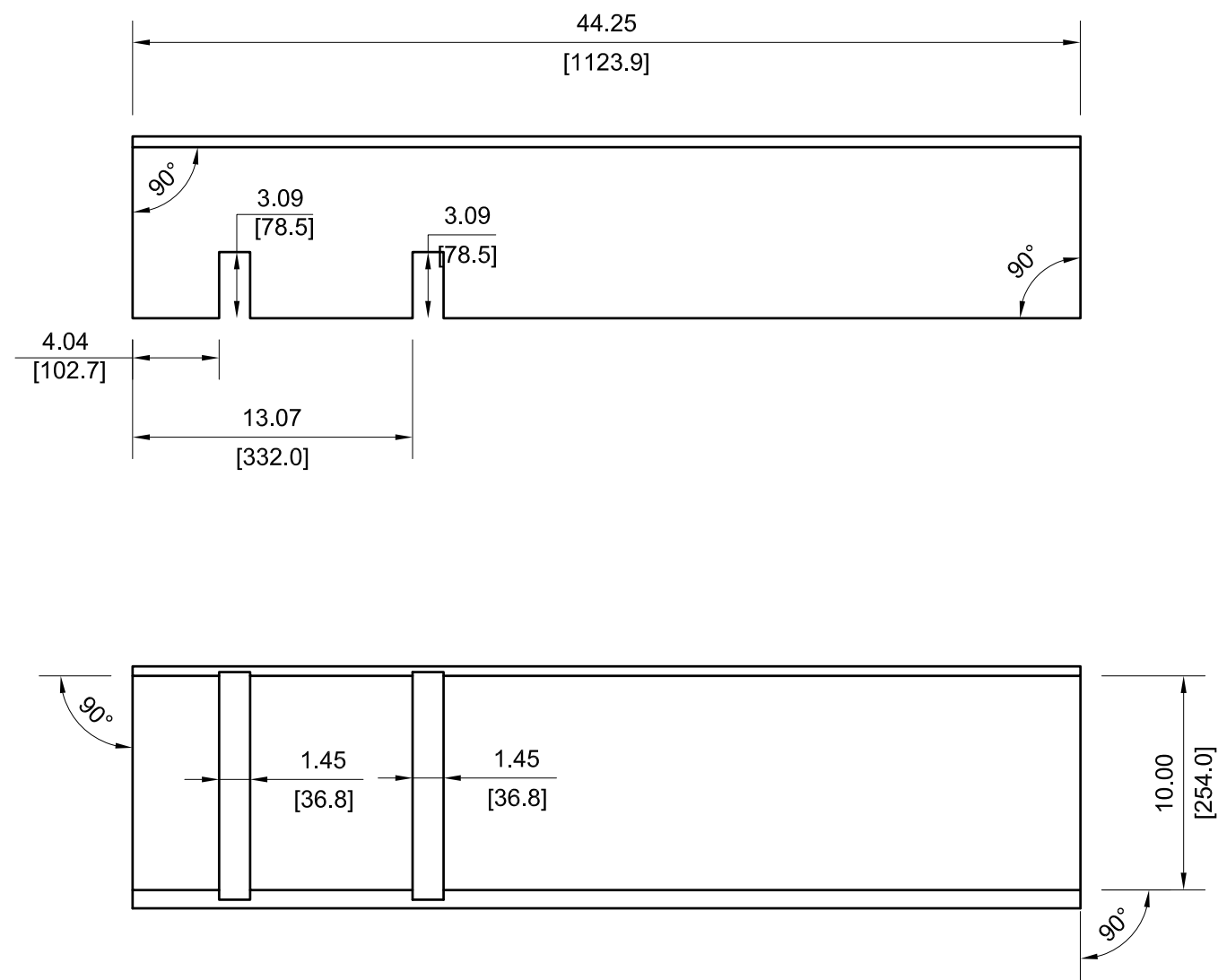
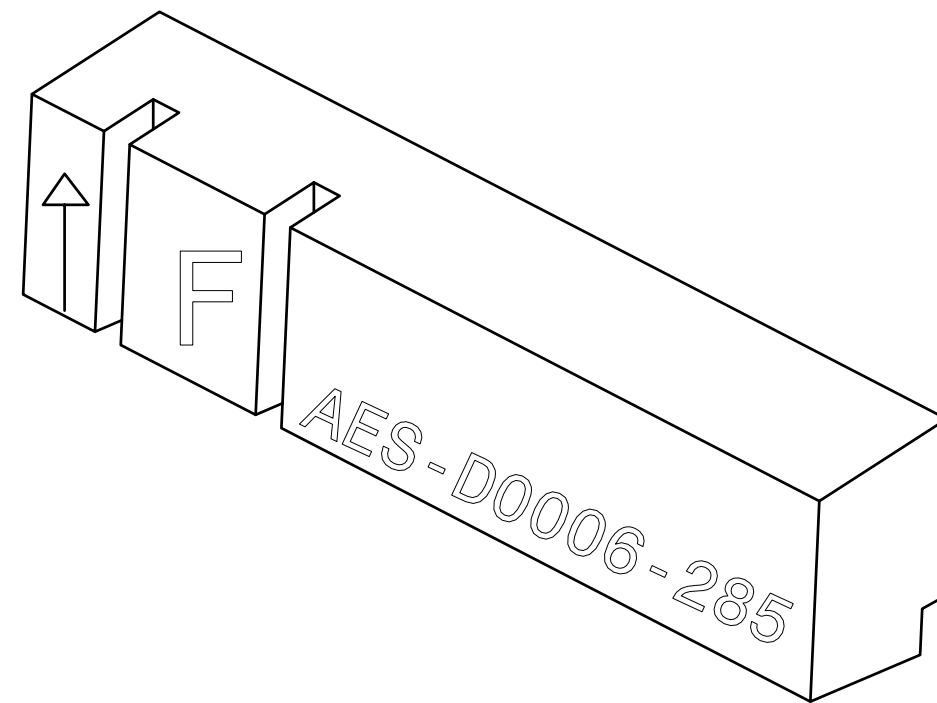
	DRAWING NUMBER				
	AES-D0006				
SIZE	SCALE	SHEET	OF	REVISION	
A3	NONE	138	166	D	

— 283



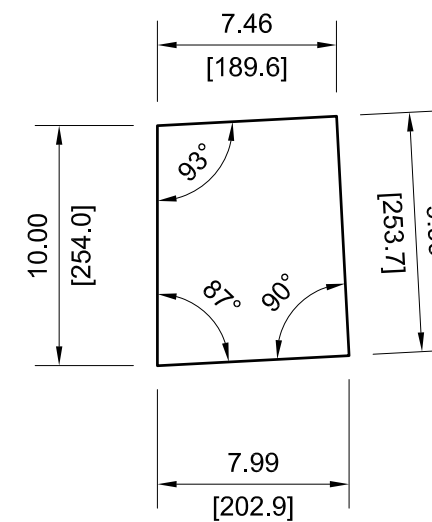
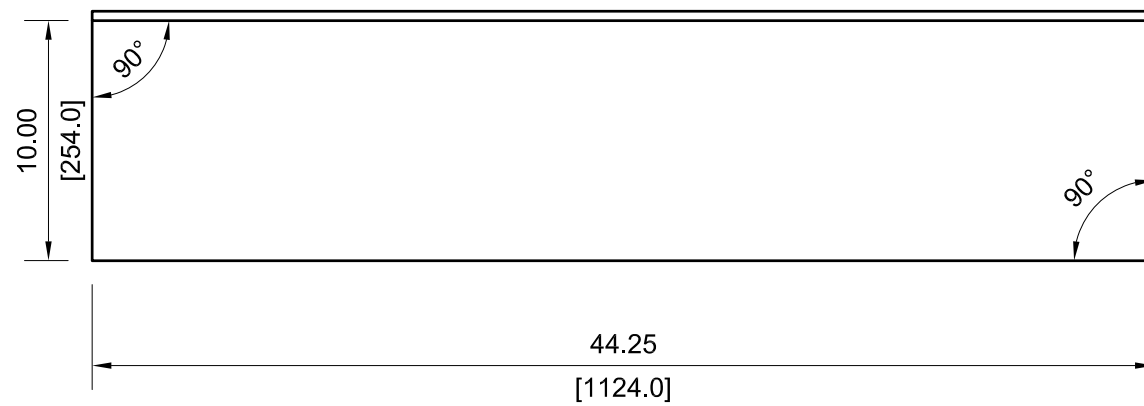
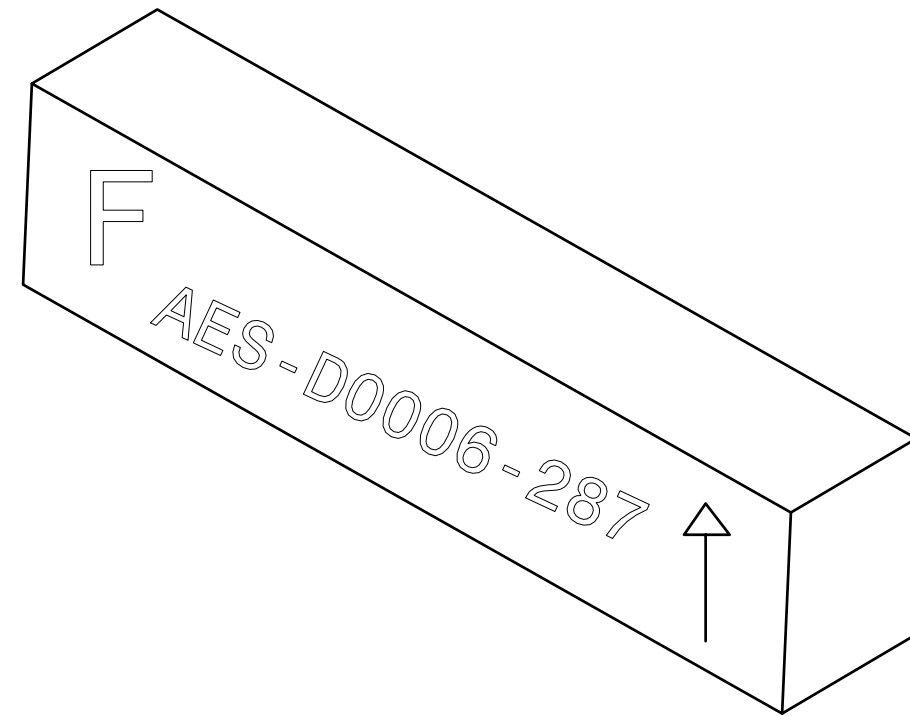
DRAWING NUMBER				
AES-D0006				
SIZE	SCALE	SHEET	OF	REVISION
A3	NONE	139	166	D

— 285



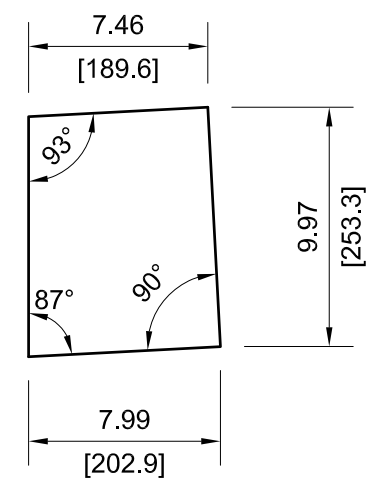
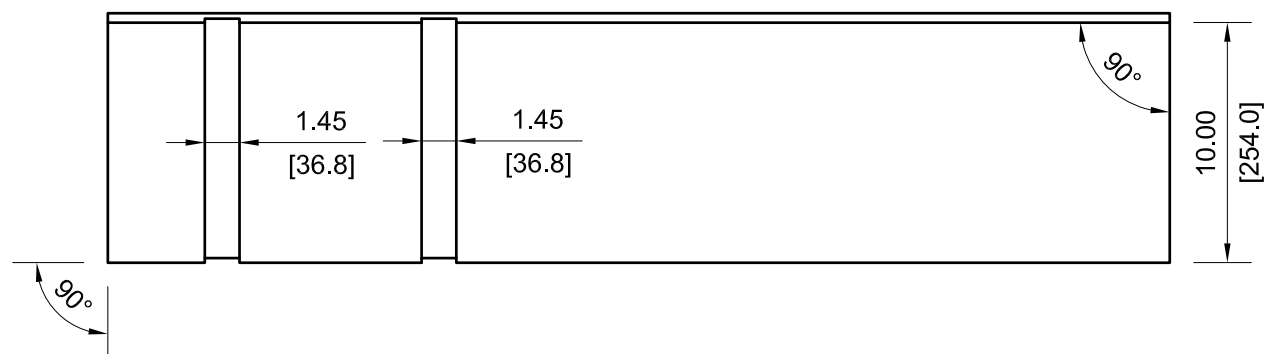
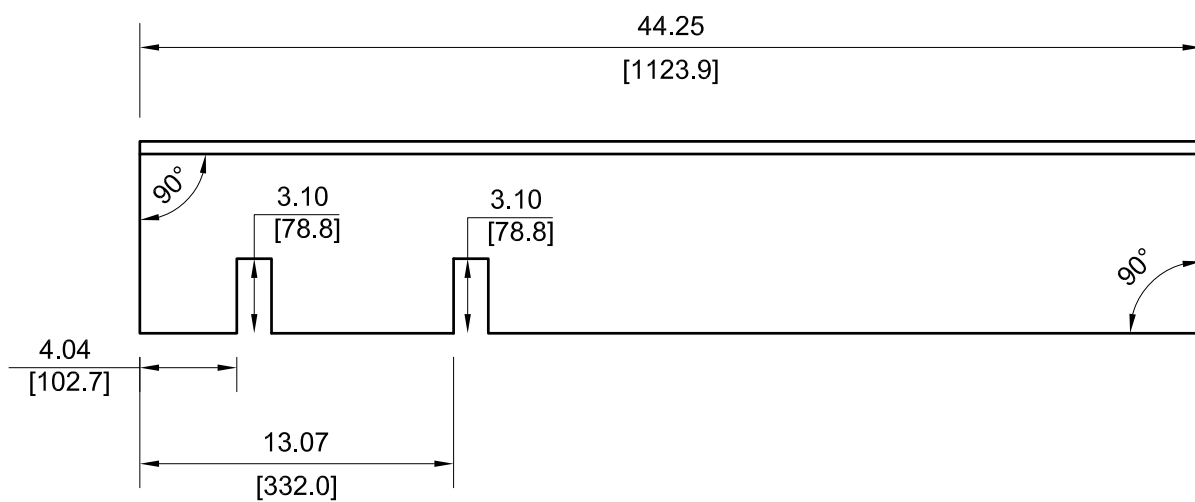
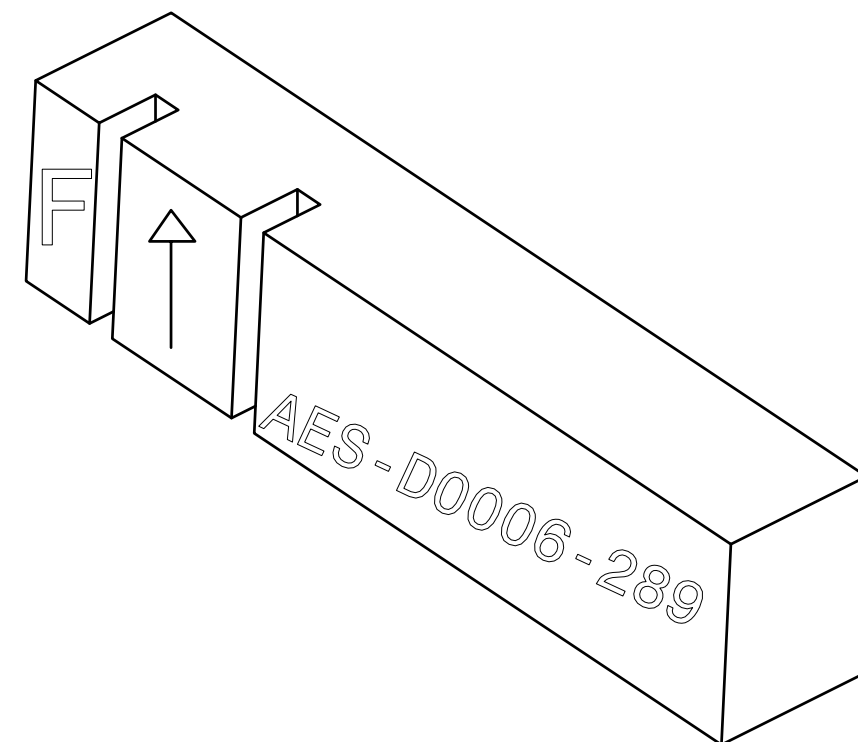
DRAWING NUMBER				
AES-D0006				
SIZE	SCALE	SHEET	OF	REVISION
A3	NONE	140	166	D

— 287



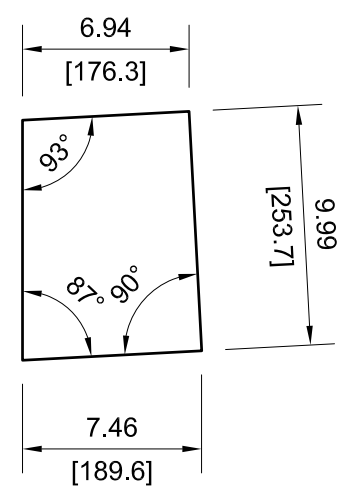
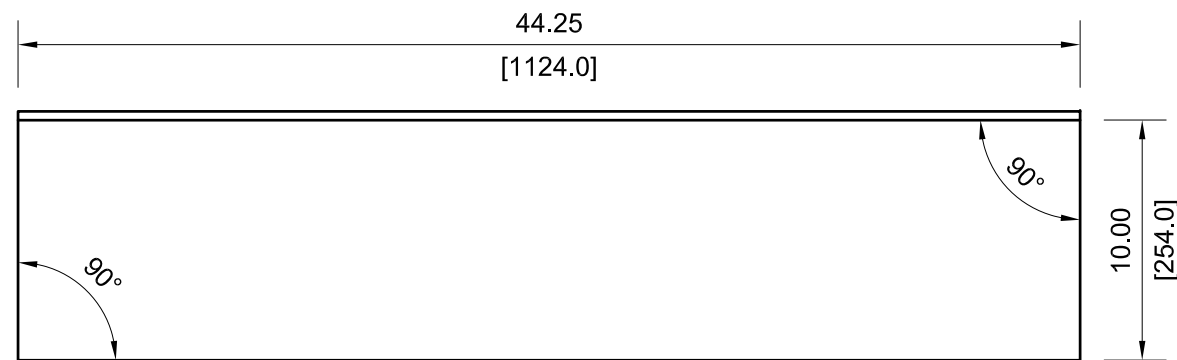
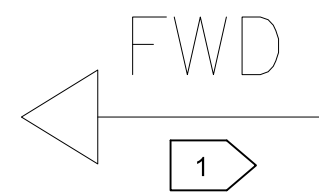
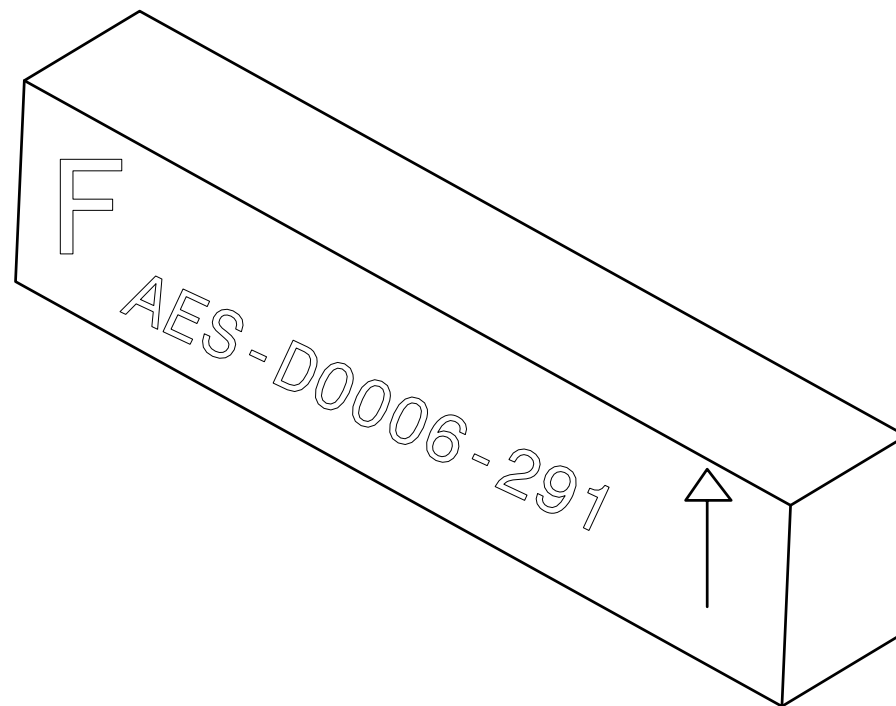
DRAWING NUMBER				AES-D0006	
SIZE	SCALE	SHEET	OF	REVISION	
A3	NONE	141	166	D	


— 289



DRAWING NUMBER					AES-D0006	
SIZE	SCALE	SHEET	OF	REVISION		
A3	NONE	142	166	D		

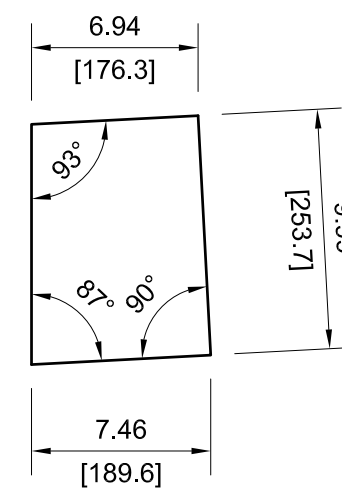
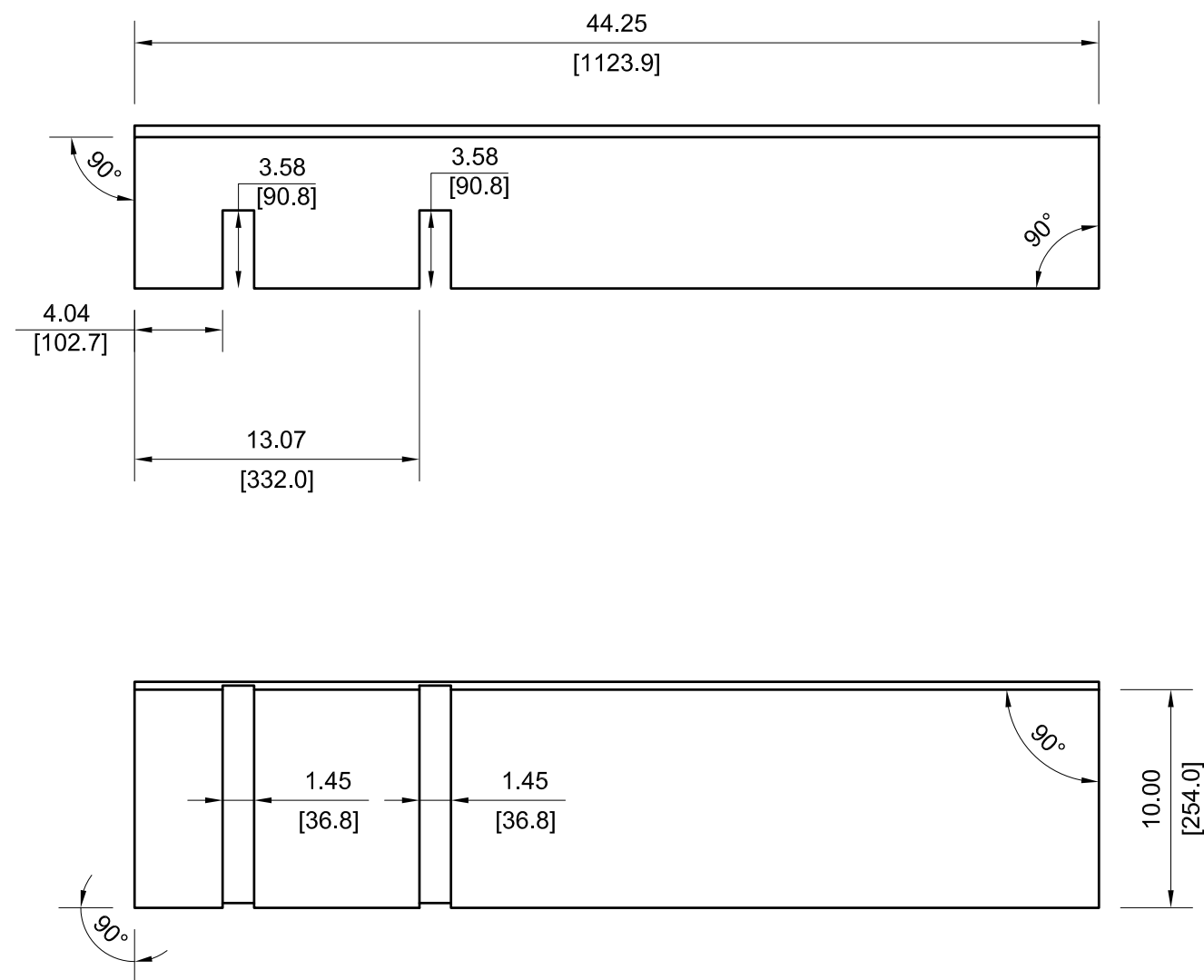
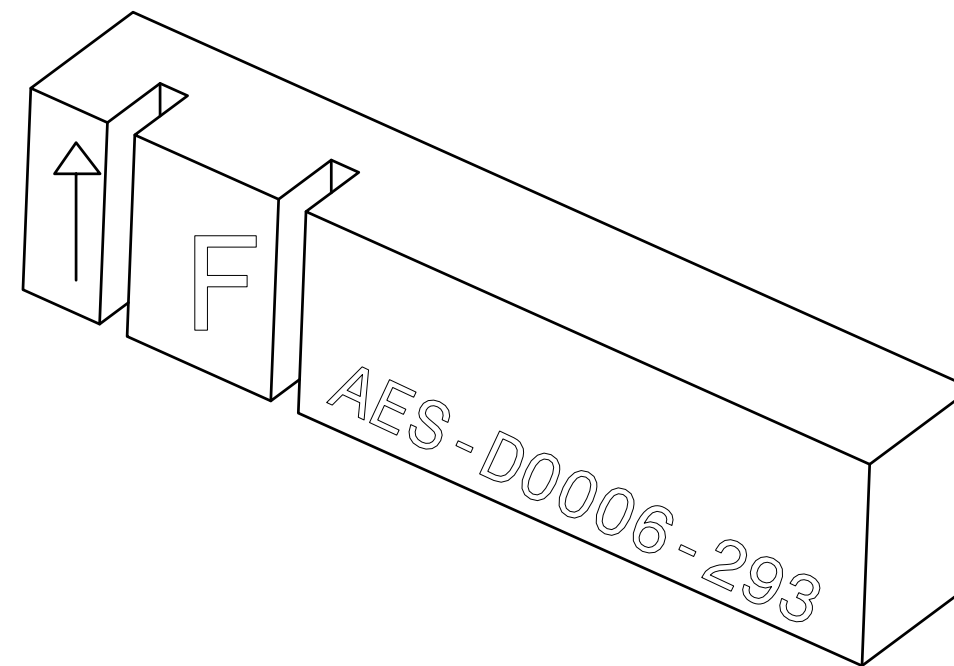
— 291



	DRAWING NUMBER				
	SIZE	SCALE	SHEET	OF	REVISION
A3	NONE	143	166	D	

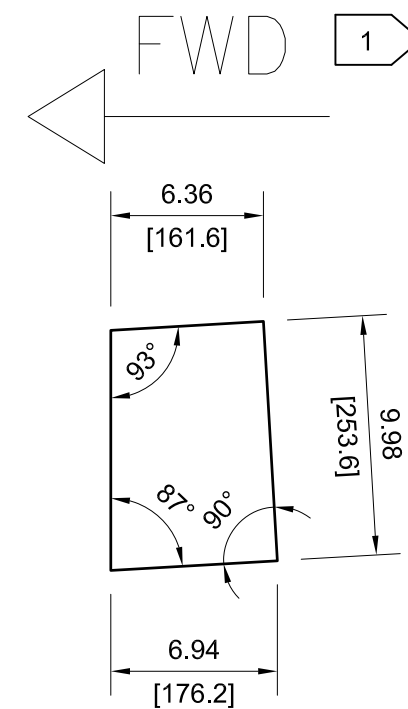
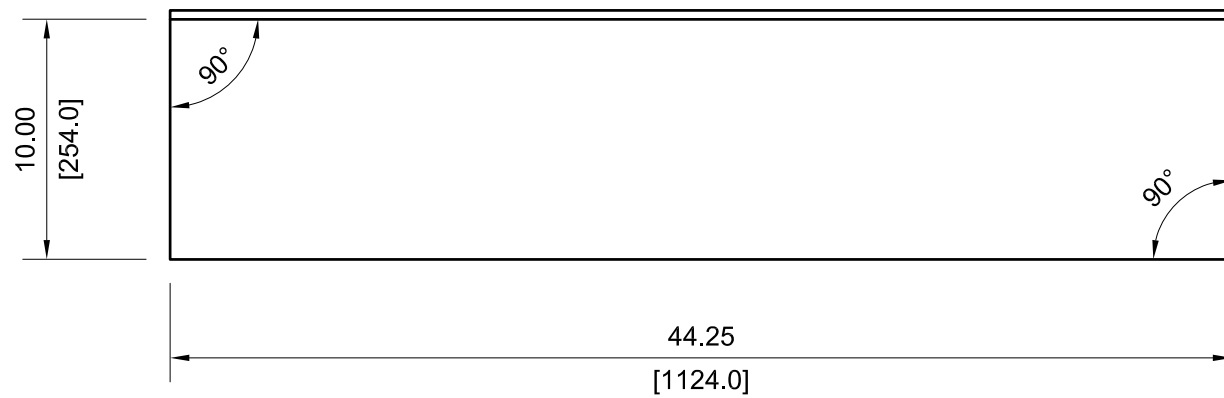
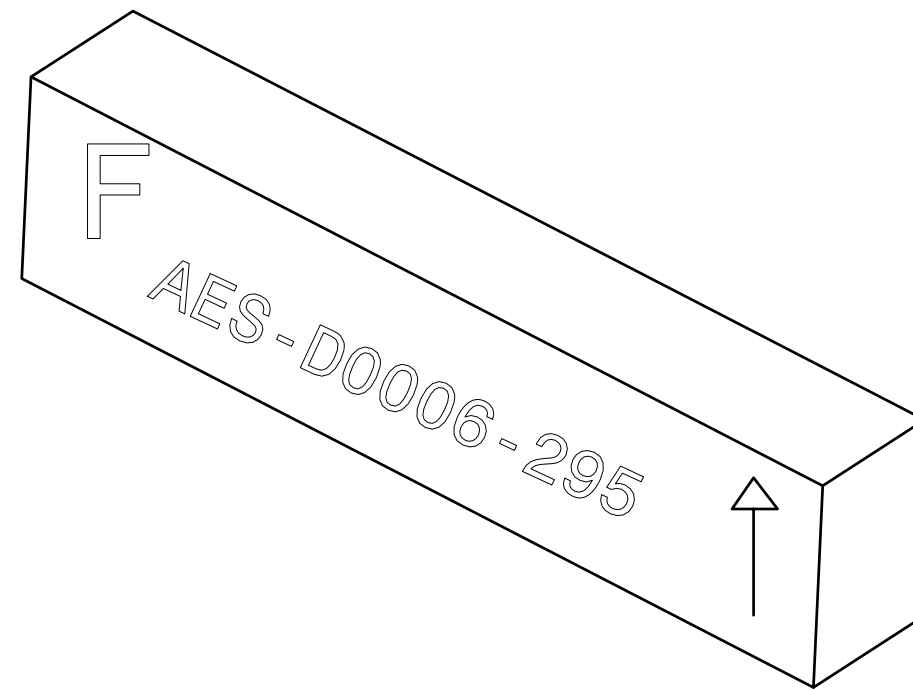
AES-D0006

— 293



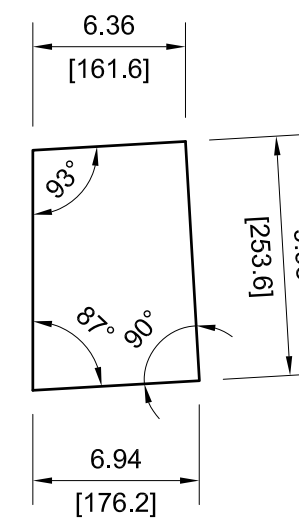
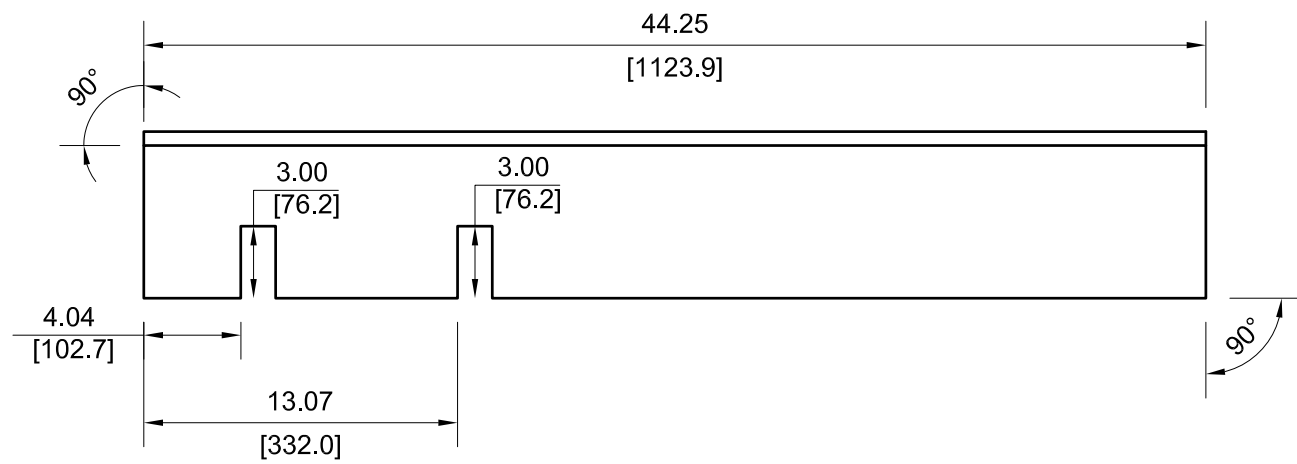
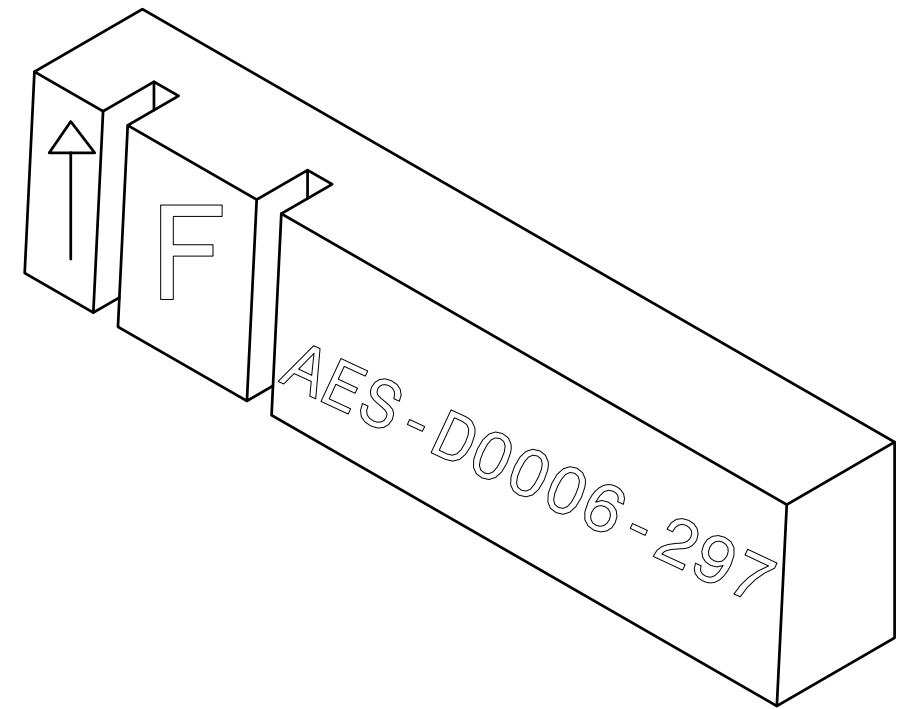
DRAWING NUMBER				
AES-D0006				
SIZE	SCALE	SHEET	OF	REVISION
A3	NONE	144	166	D

— 295



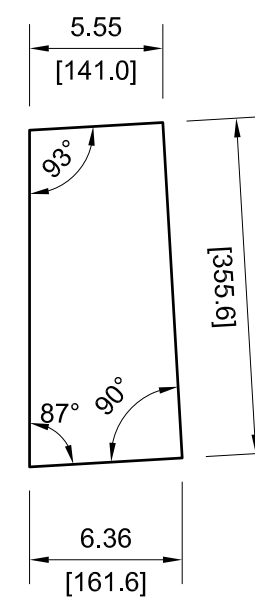
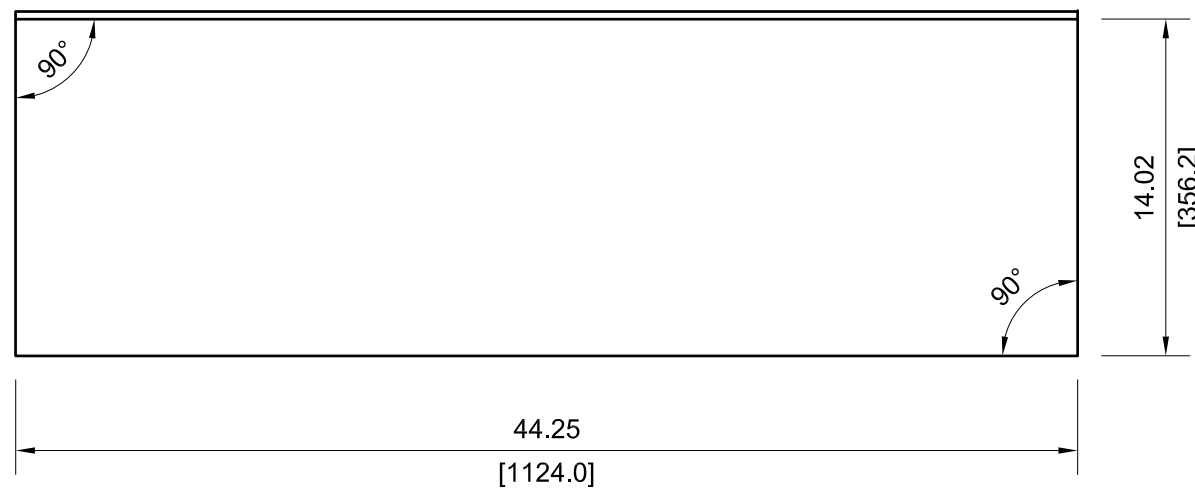
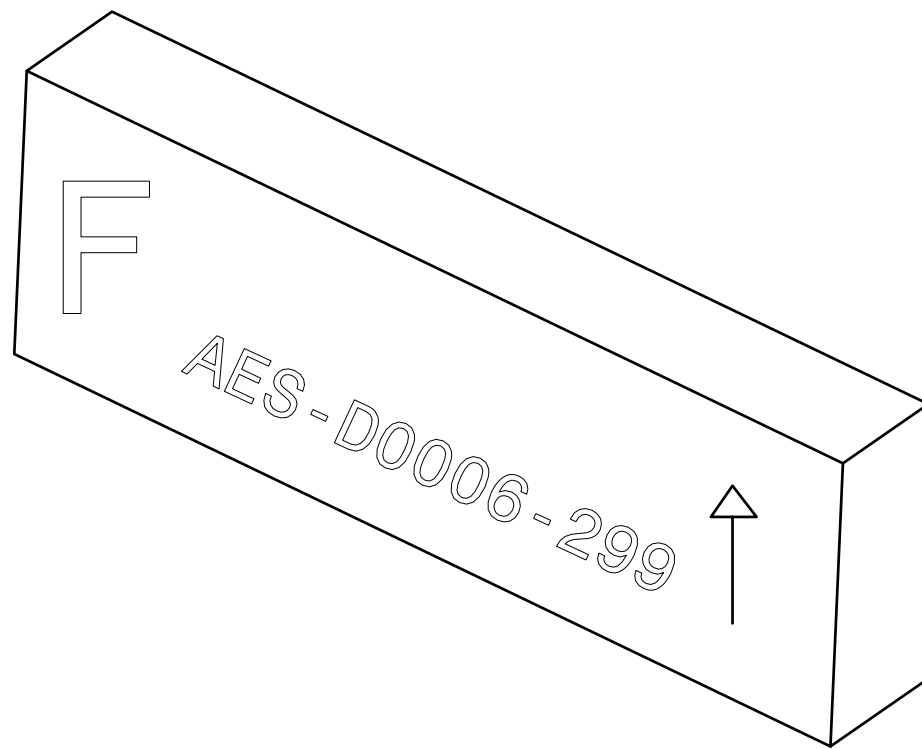
DRAWING NUMBER				
AES-D0006				
SIZE	SCALE	SHEET	OF	REVISION
A3	NONE	145	166	D

297



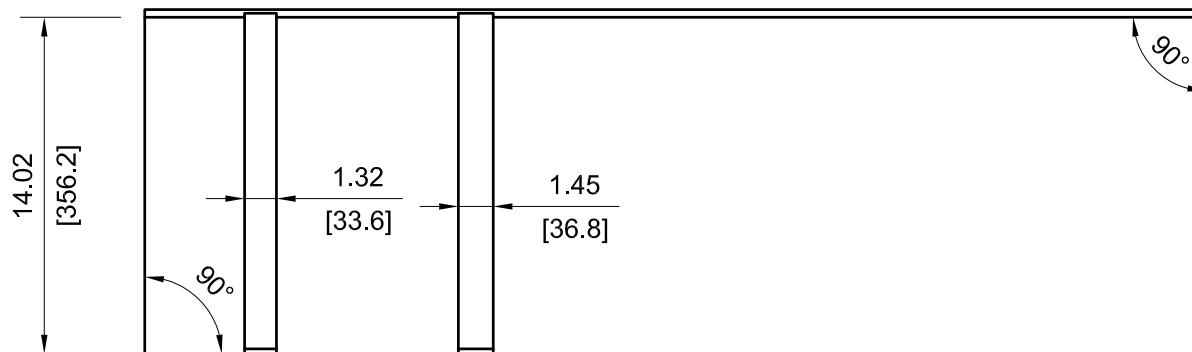
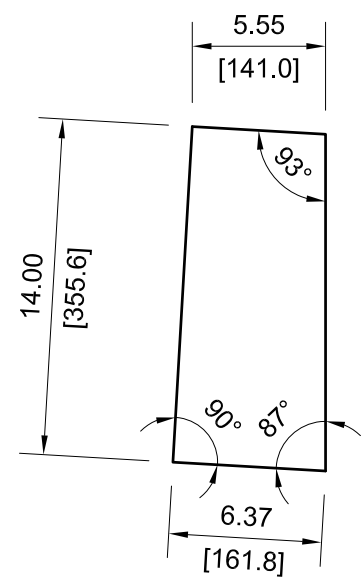
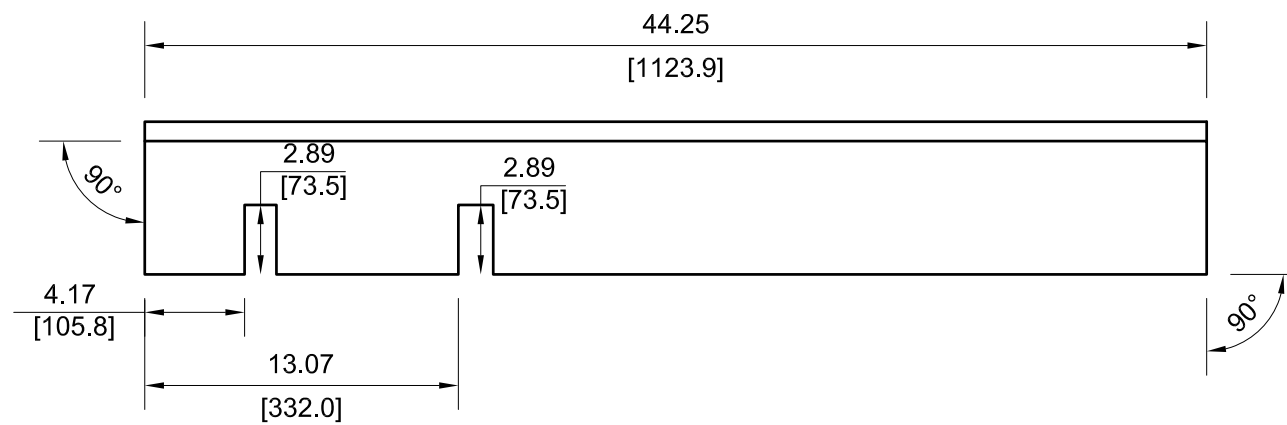
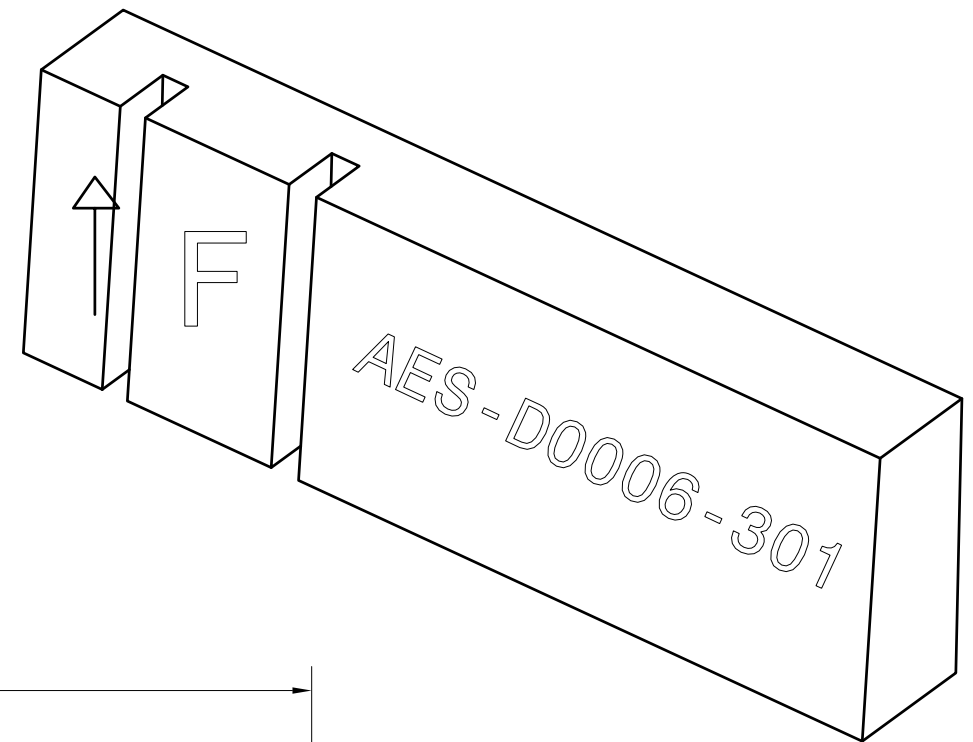
DRAWING NUMBER				
AES-D0006				
SIZE	SCALE	SHEET	OF	REVISION
A3	NONE	146	166	D

— 2999



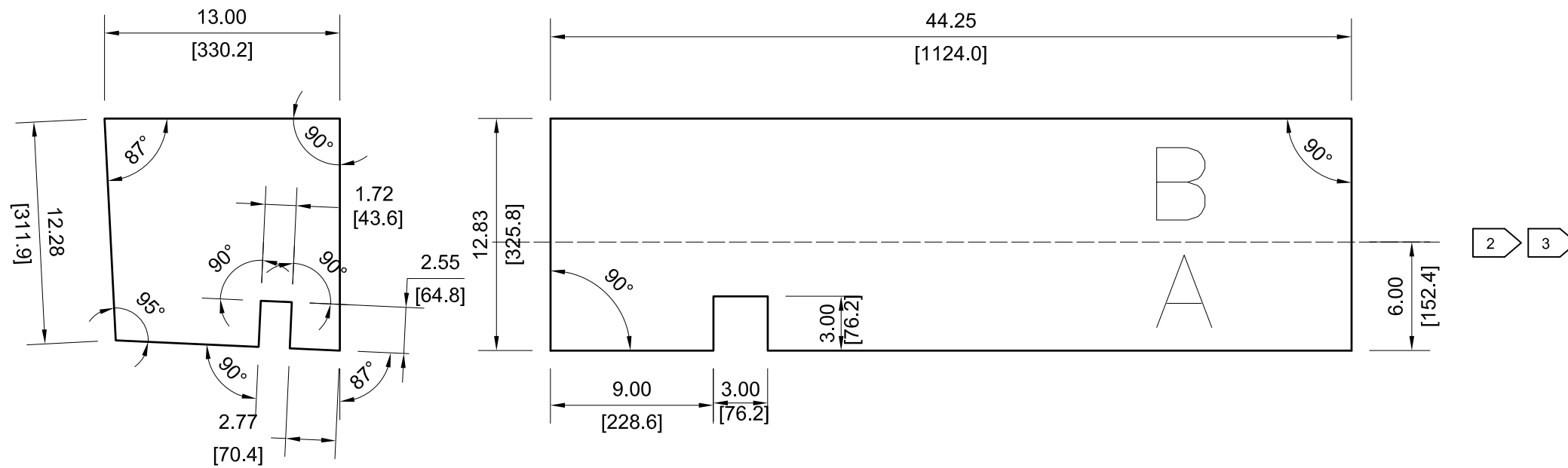
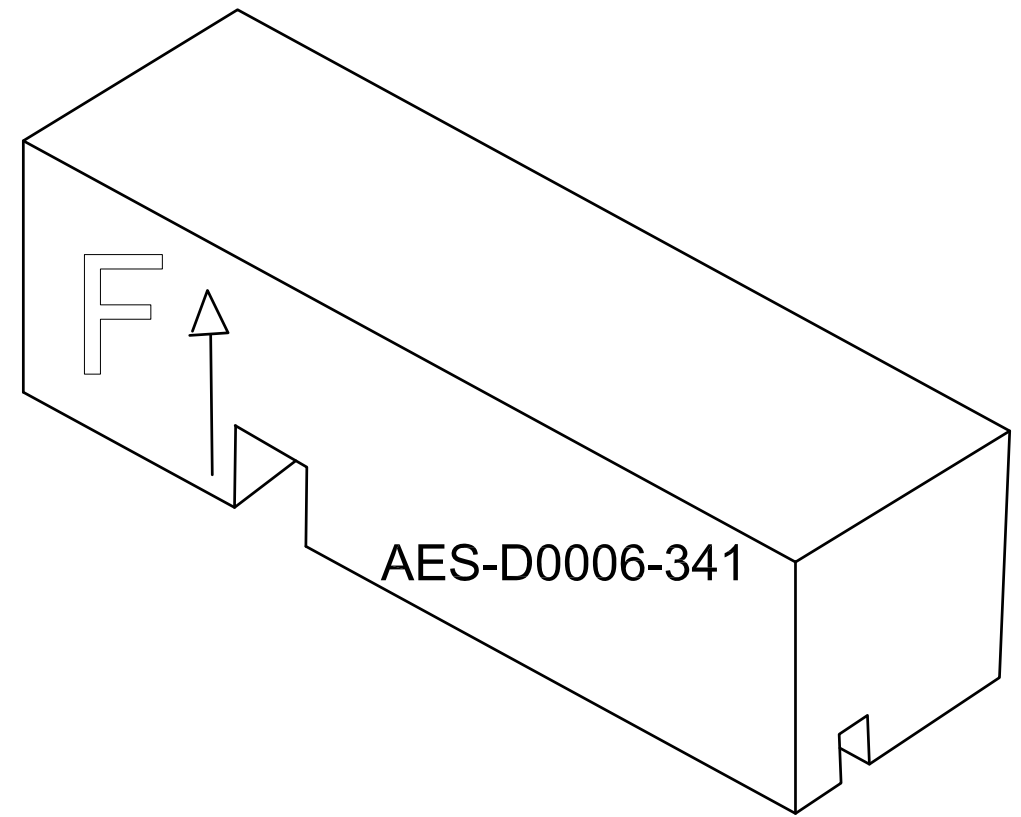
DRAWING NUMBER				
AES-D0006				
SIZE	SCALE	SHEET	OF	REVISION
A3	NONE	147	166	D


301

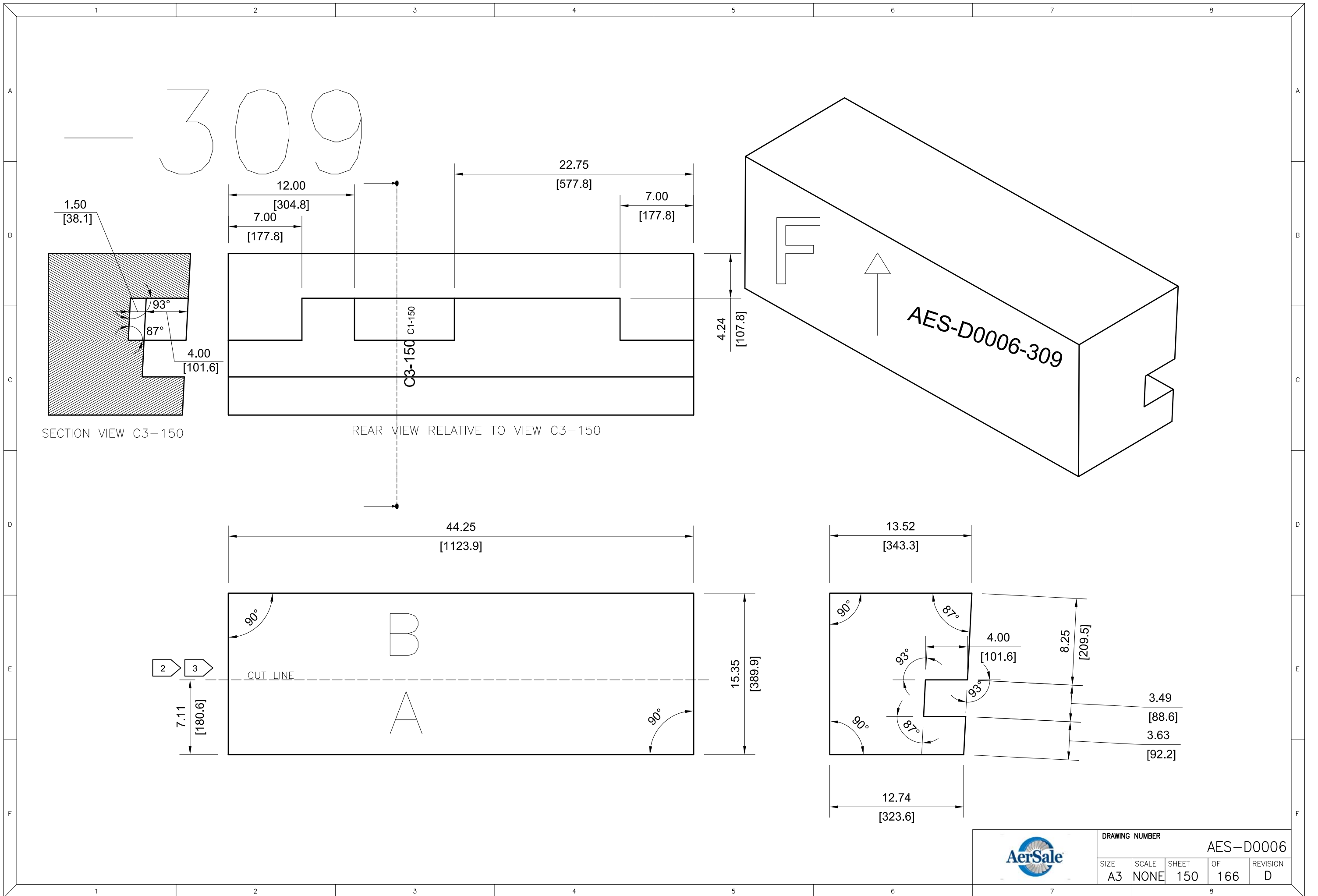


DRAWING NUMBER				
AES-D0006				
SIZE	SCALE	SHEET	OF	REVISION
A3	NONE	148	166	D

- 341

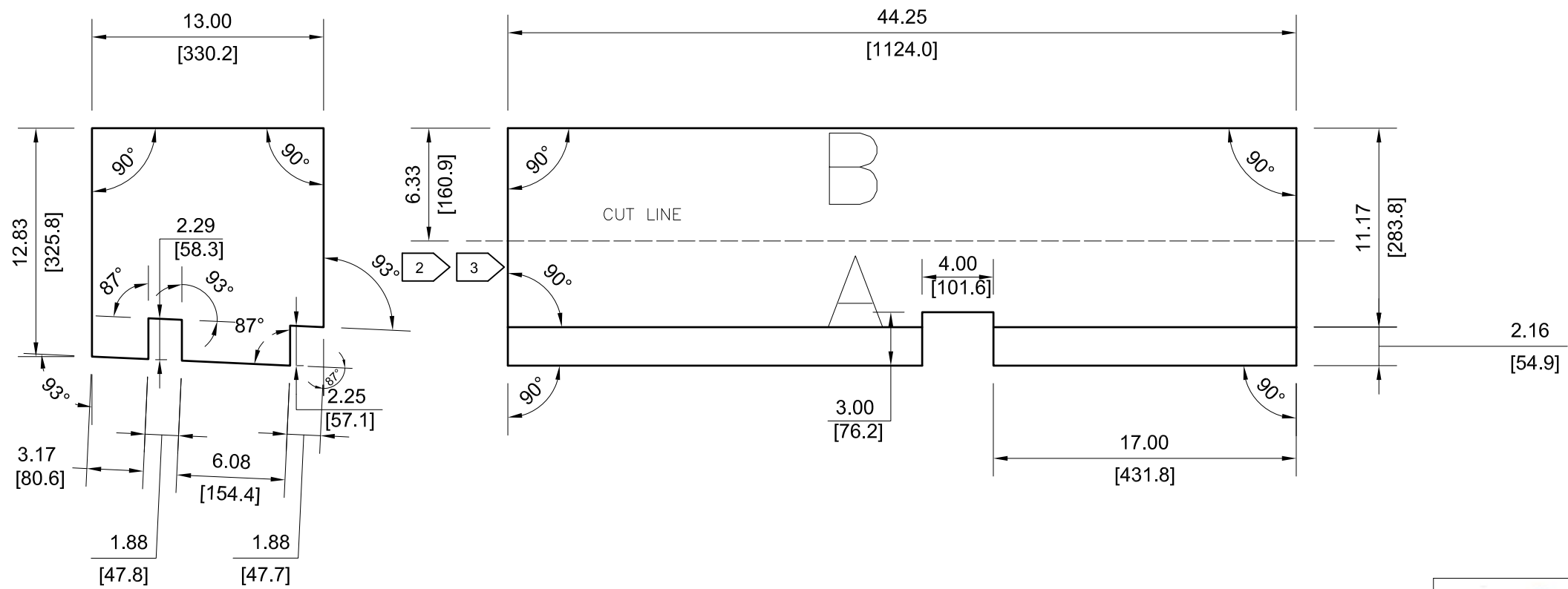
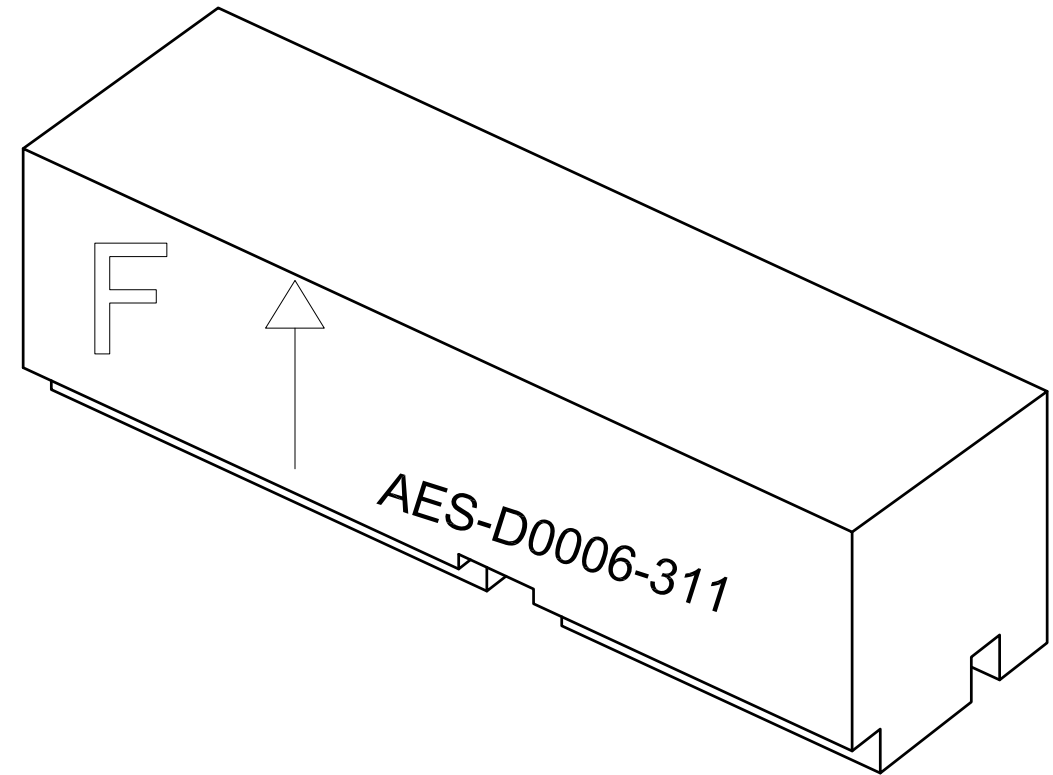


	DRAWING NUMBER				AES-D0006	
	SIZE	SCALE	SHEET	OF	REVISION	
A3	NONE	149	166	D		



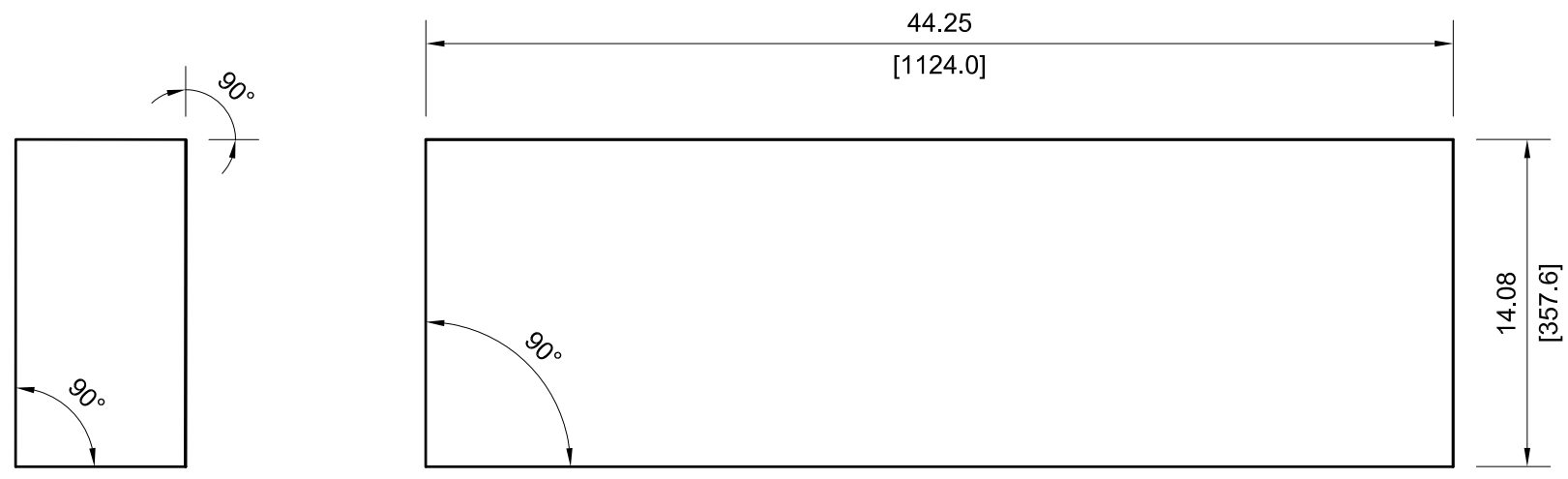
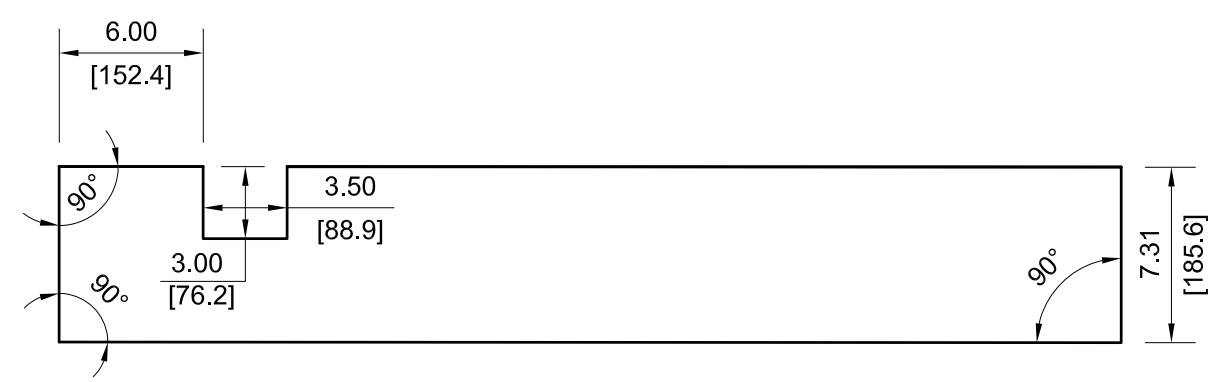
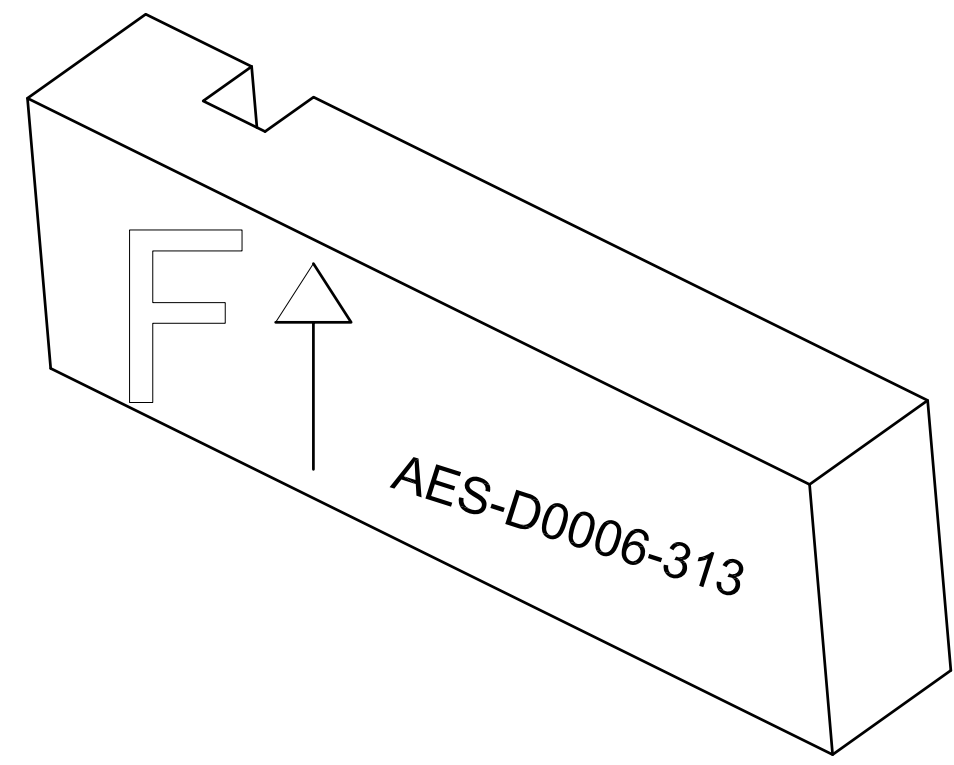
DRAWING NUMBER				
AES-D0006				
SIZE	SCALE	SHEET	OF	REVISION
A3	NONE	150	166	D


-311



DRAWING NUMBER				
AES-D0006				
SIZE	SCALE	SHEET	OF	REVISION
A3	NONE	151	166	D

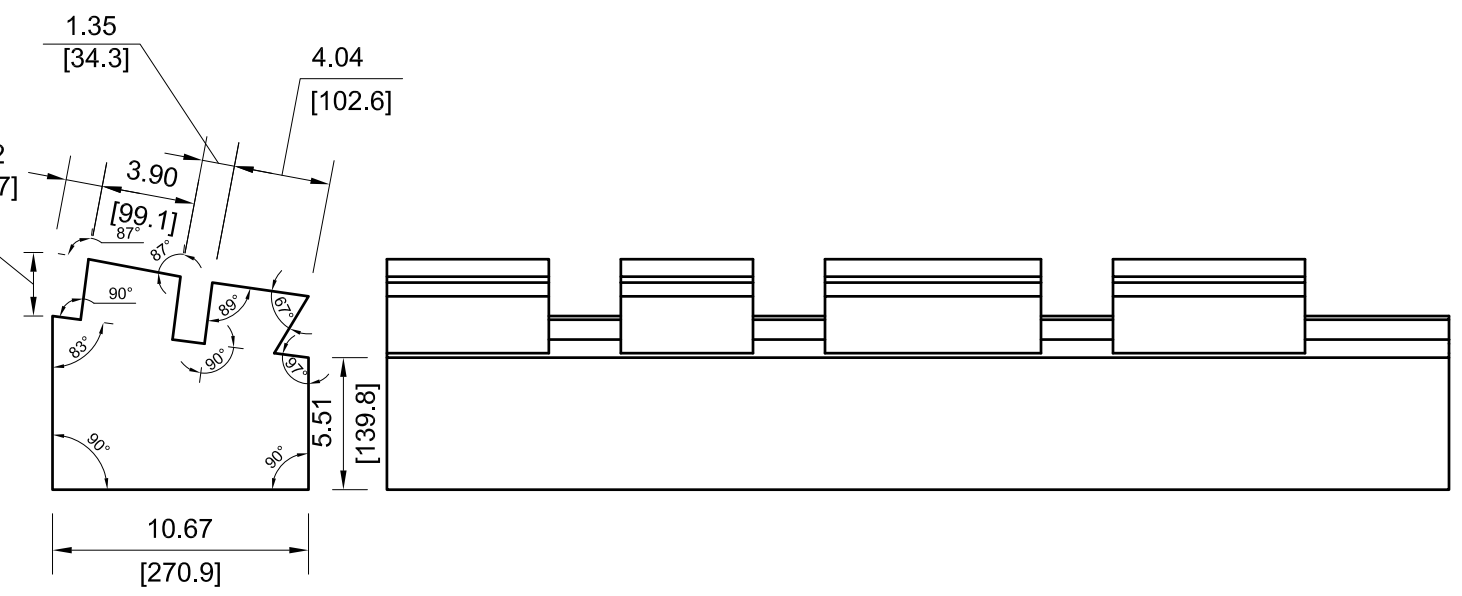
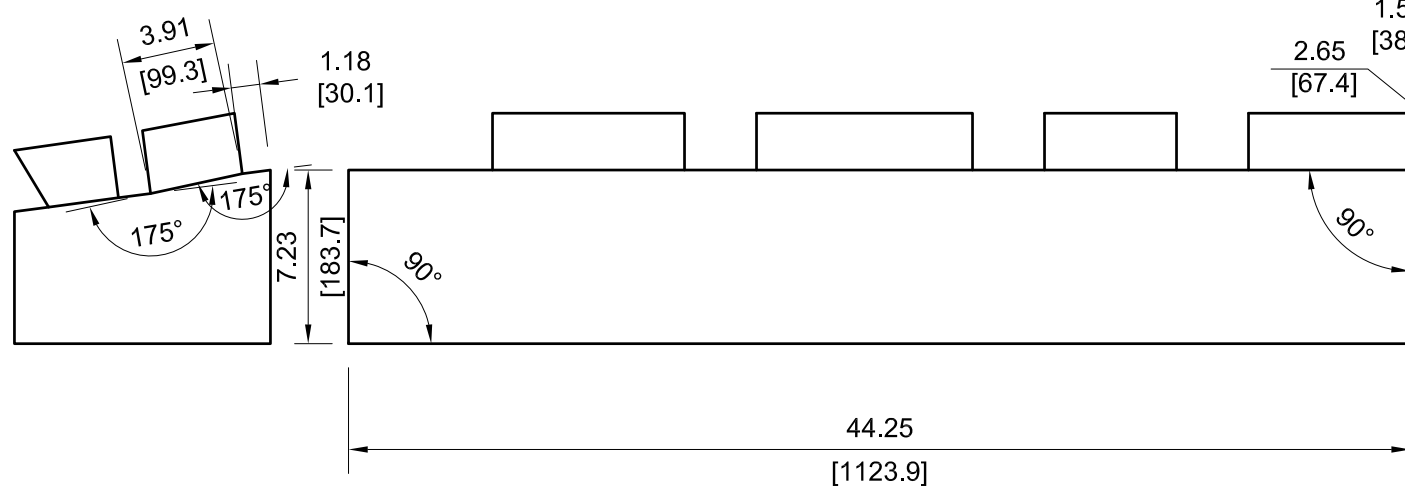
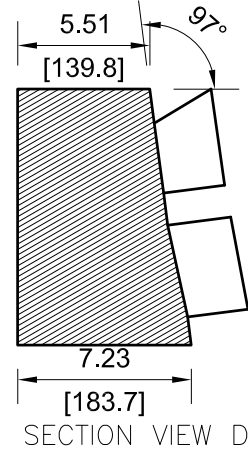
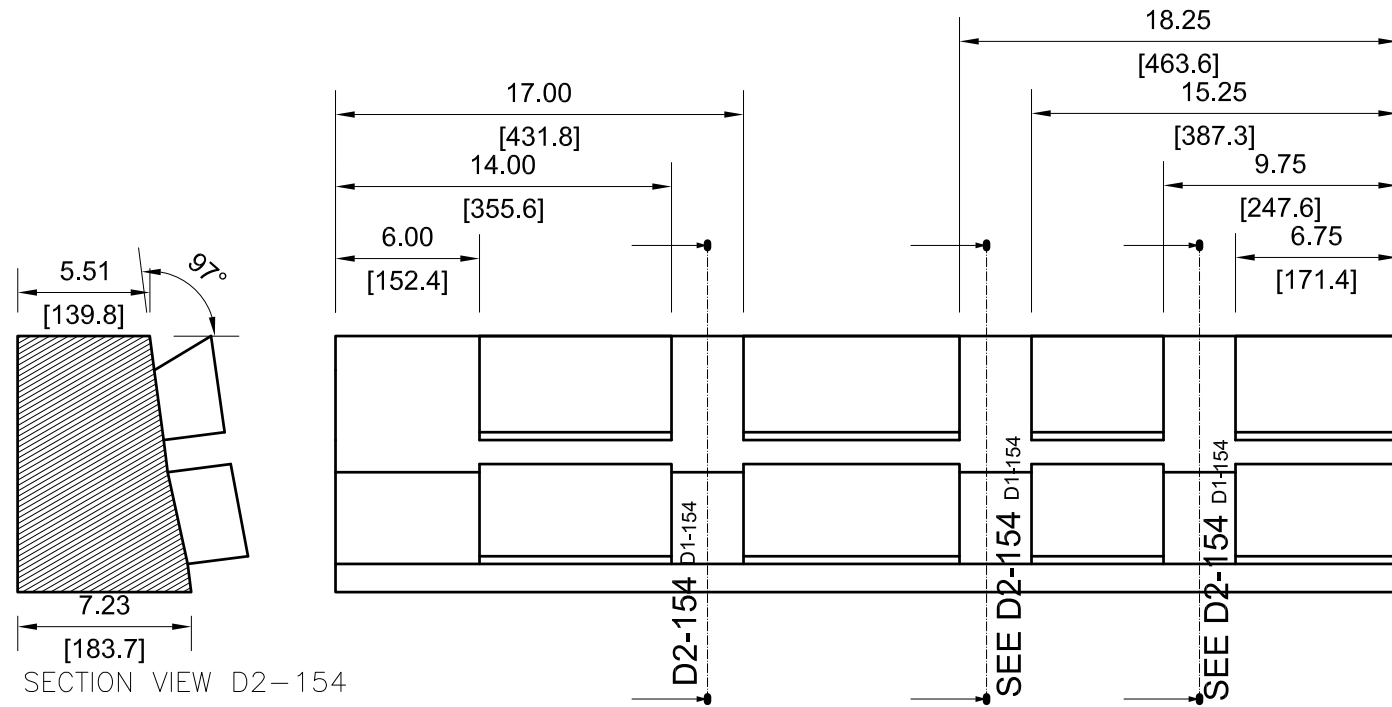
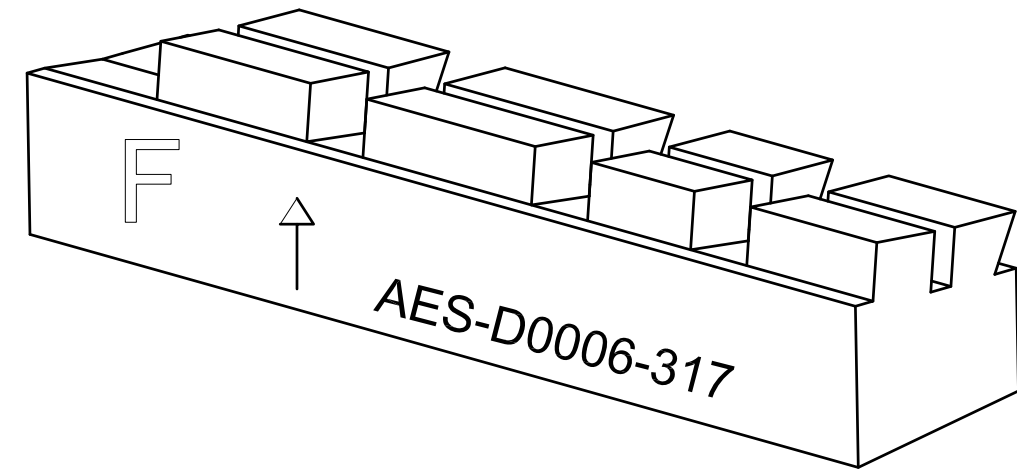
- 313



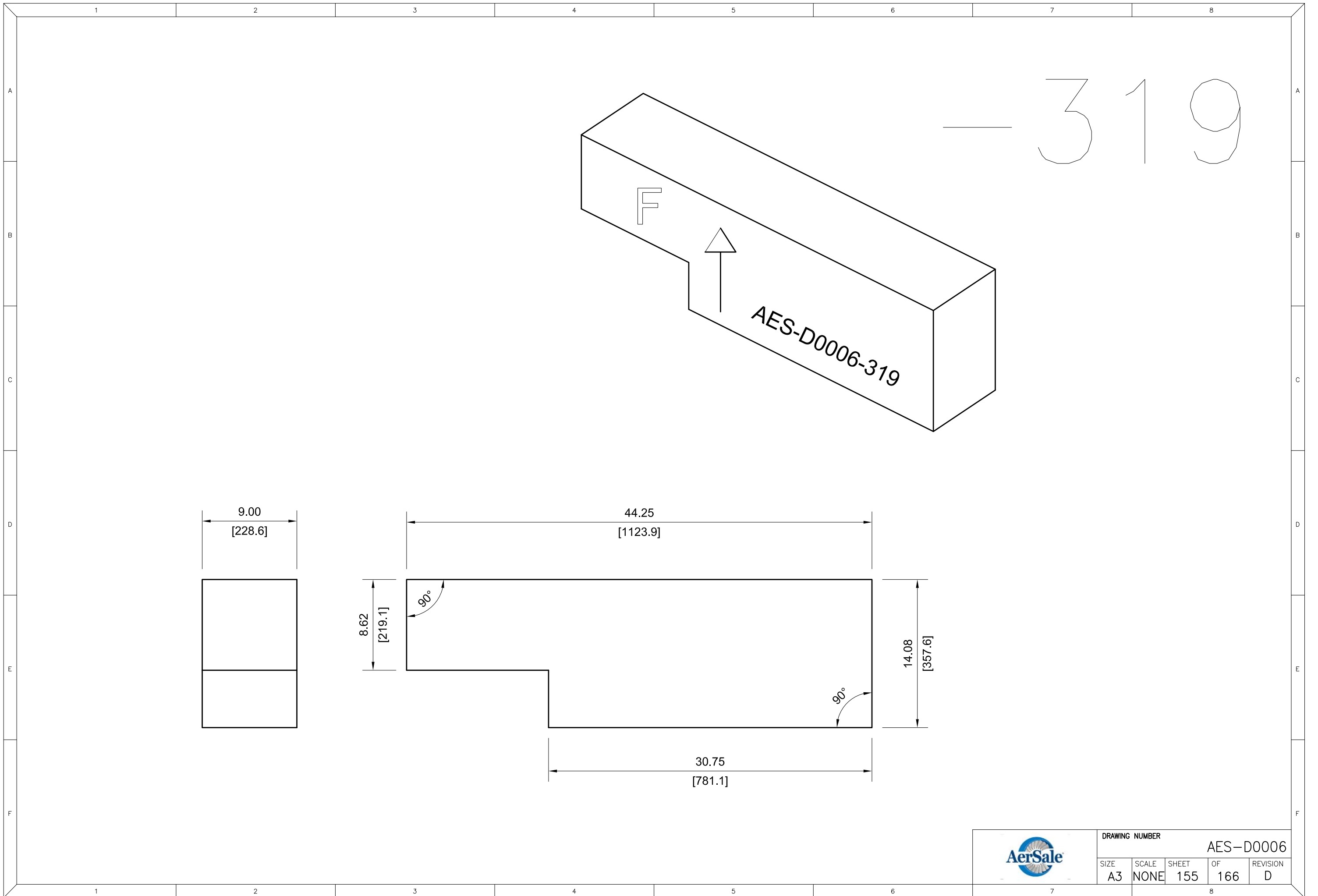
	DRAWING NUMBER				
	SIZE	SCALE	SHEET	OF	REVISION
A3	NONE	152	166	D	

AES-D0006

317

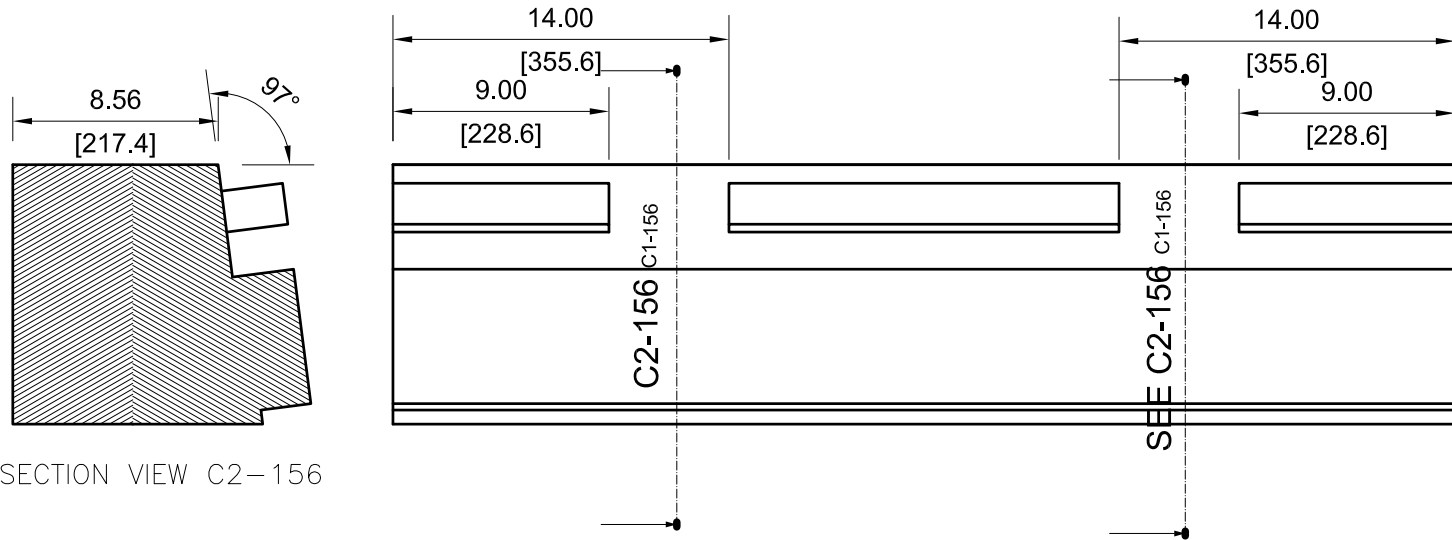


		DRAWING NUMBER			
		AES-D0006			
SIZE	SCALE	SHEET	OF	REVISION	
A3	NONE	154	166	D	

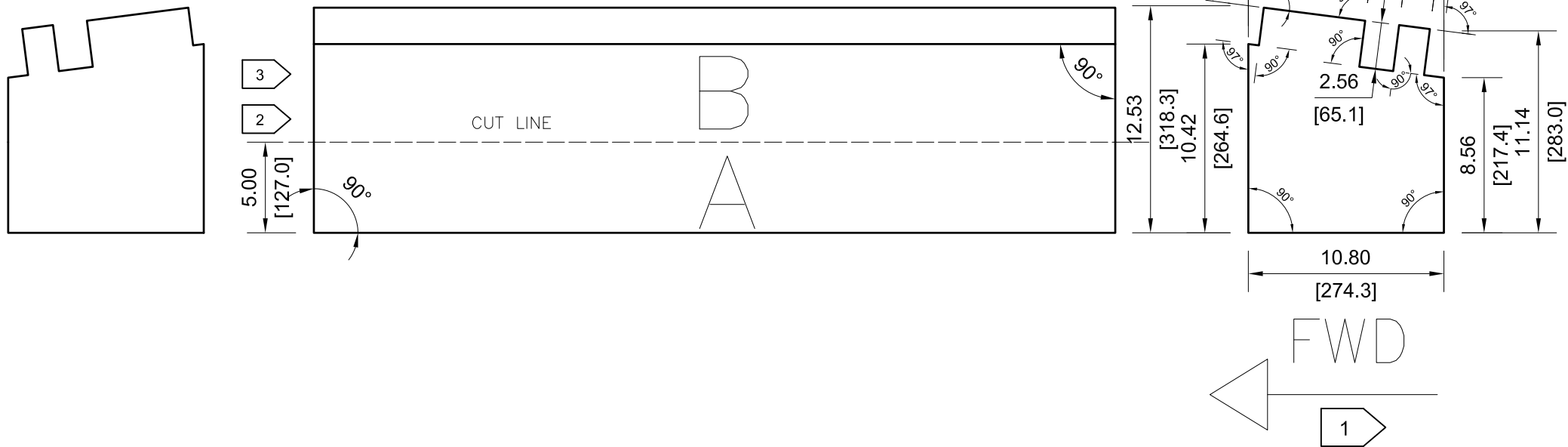
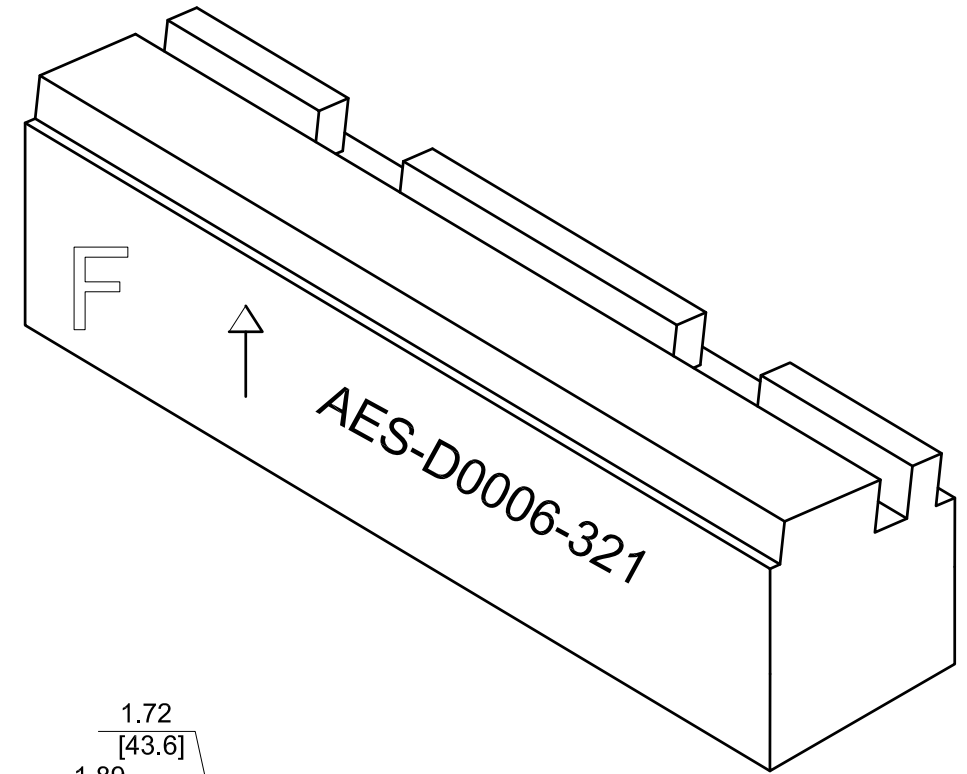


DRAWING NUMBER					AES-D0006	
SIZE	SCALE	SHEET	OF	REVISION		
A3	NONE	155	166	D		

321

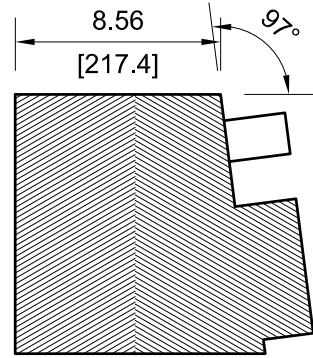


SECTION VIEW C2-156

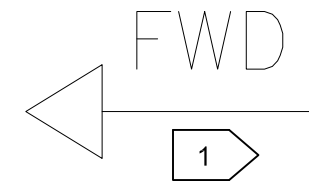
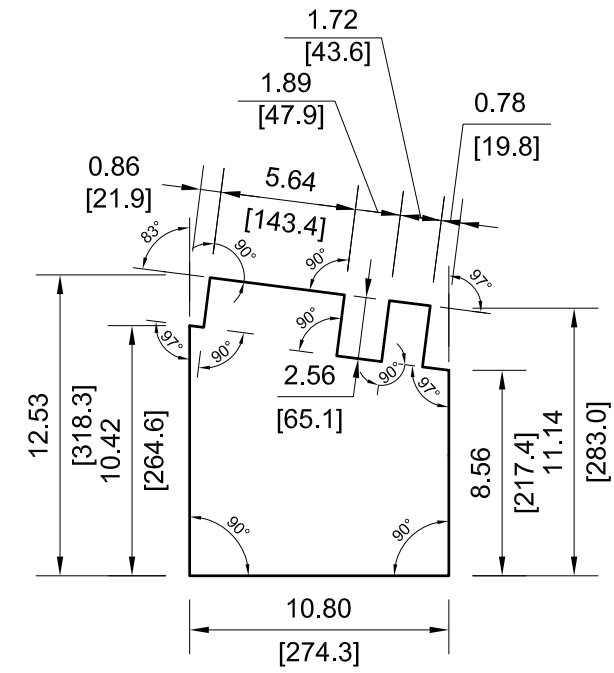
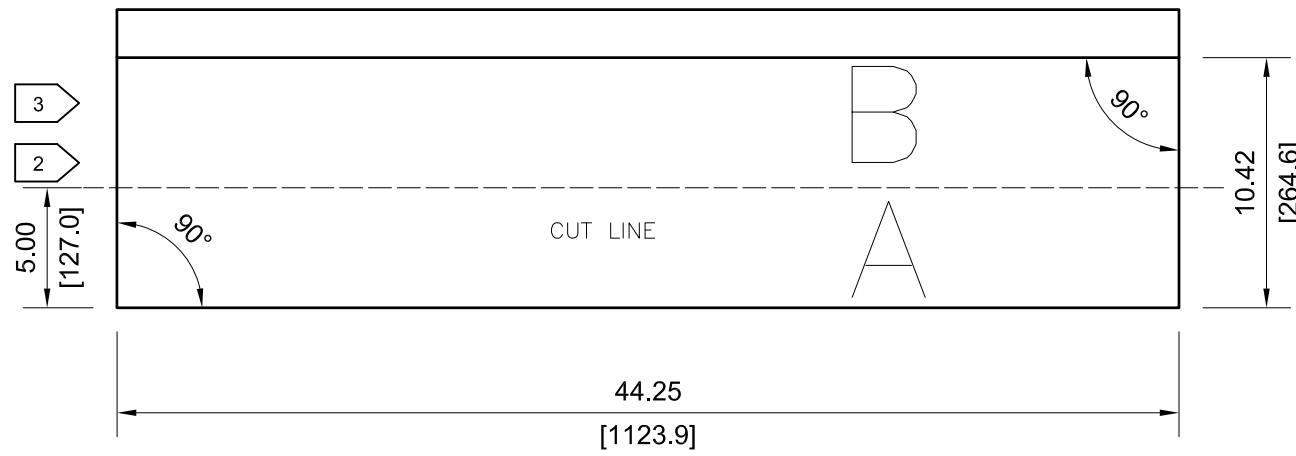
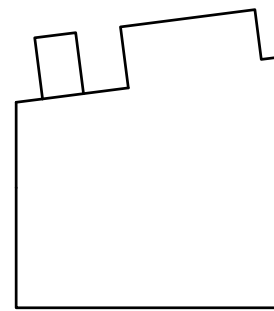
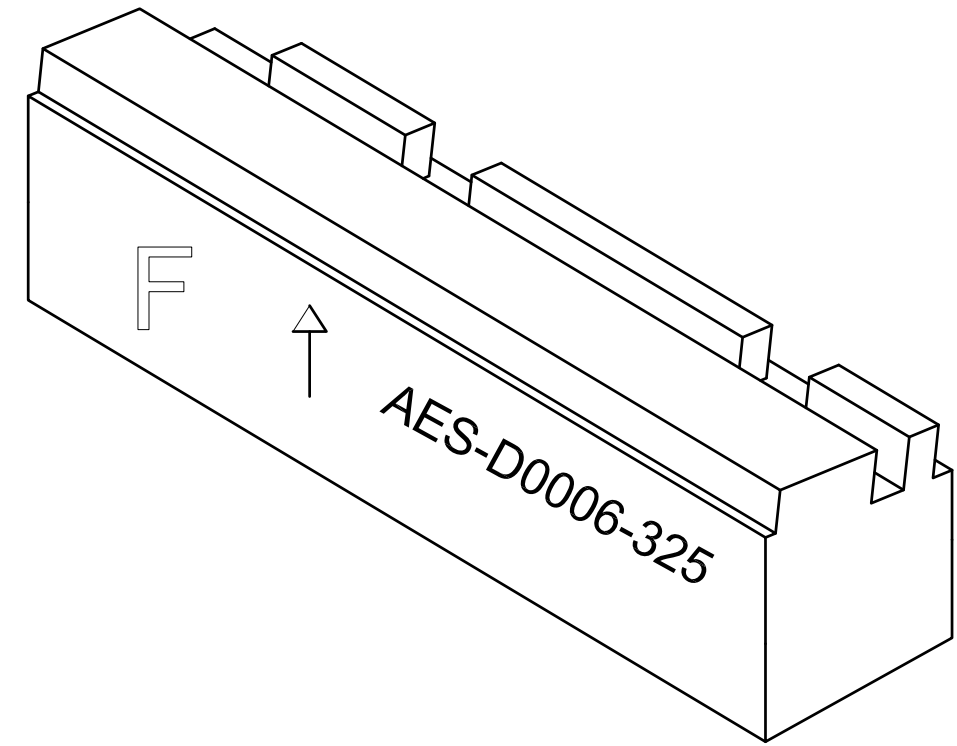
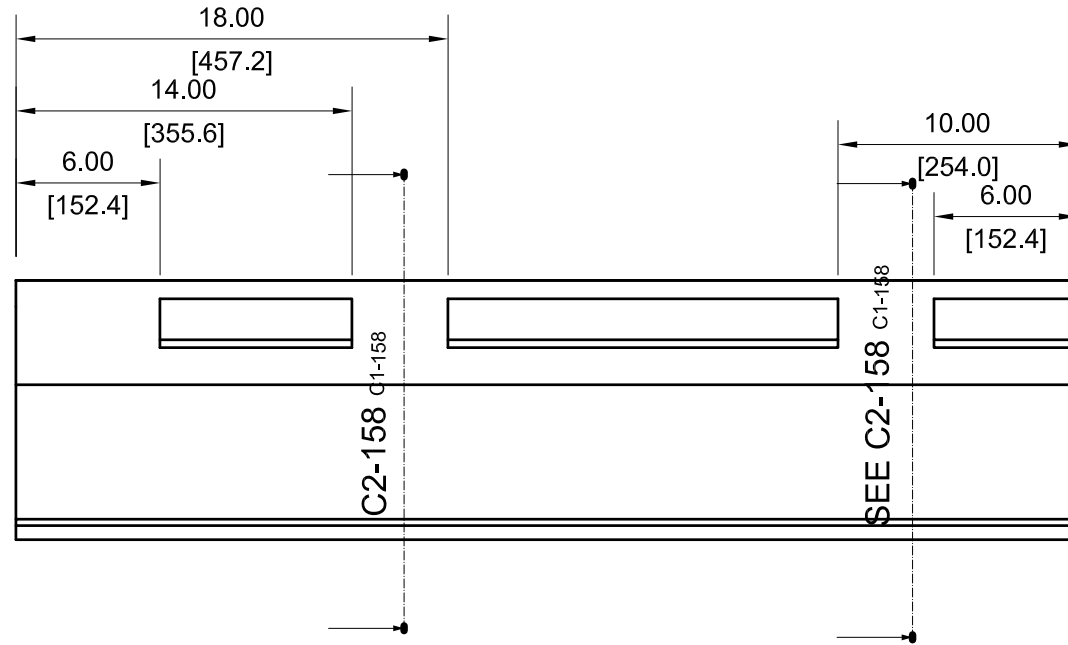


		DRAWING NUMBER			
		AES-D0006			
SIZE	SCALE	SHEET	OF	REVISION	
A3	NONE	156	166	D	

325

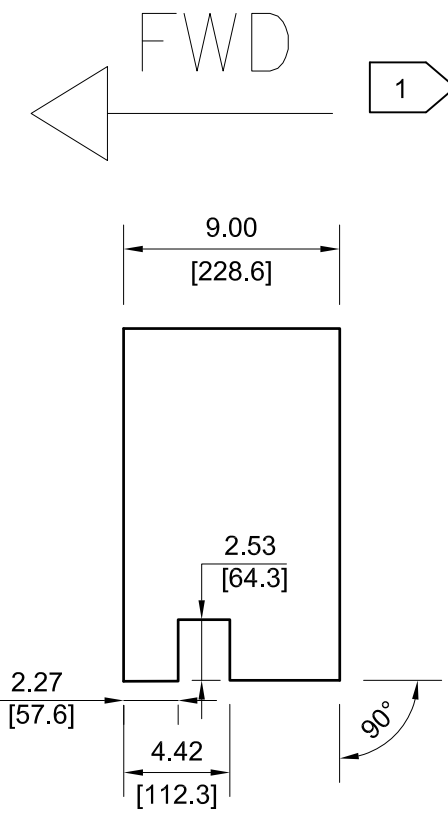
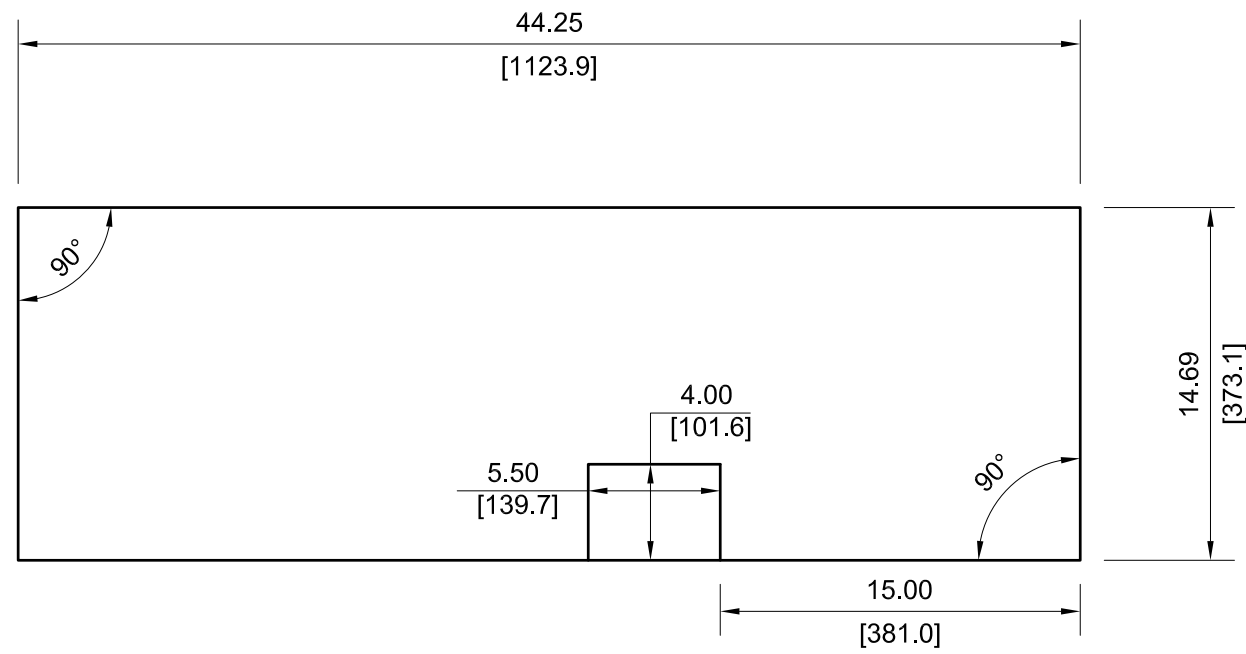
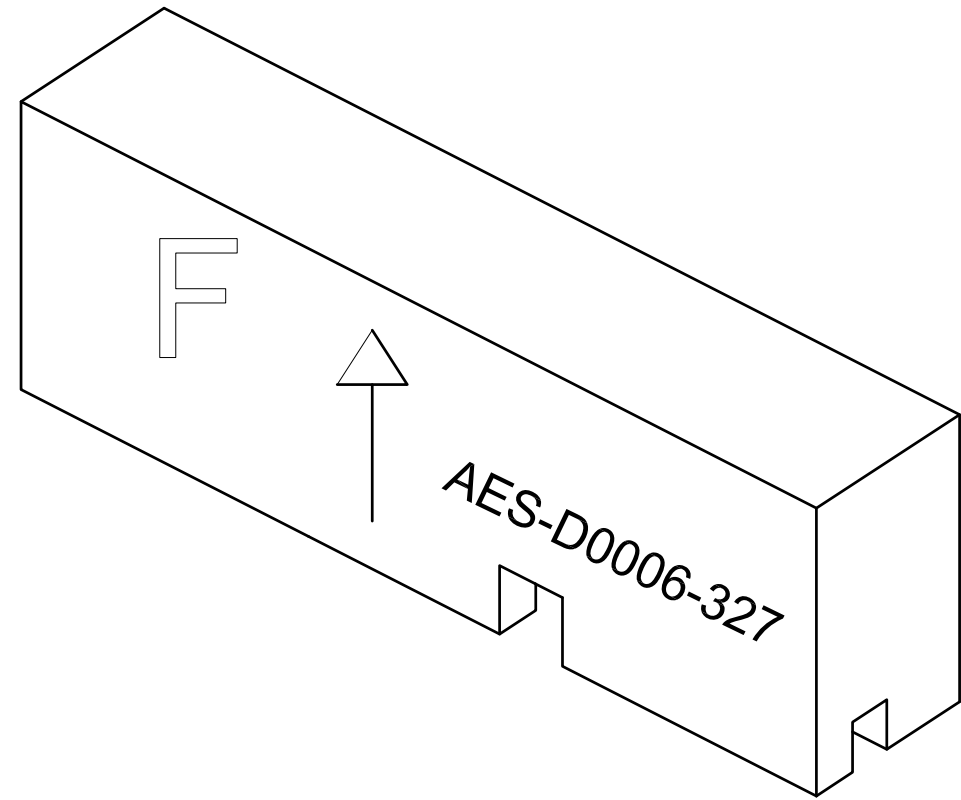


SECTION VIEW C2-158



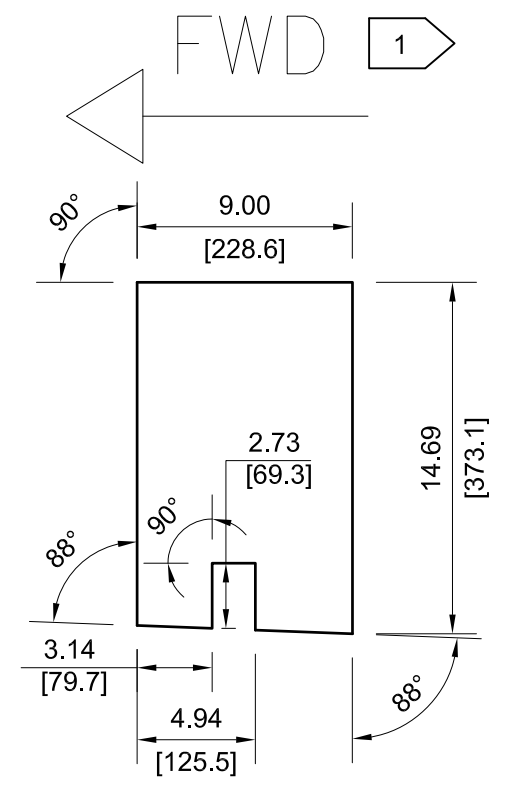
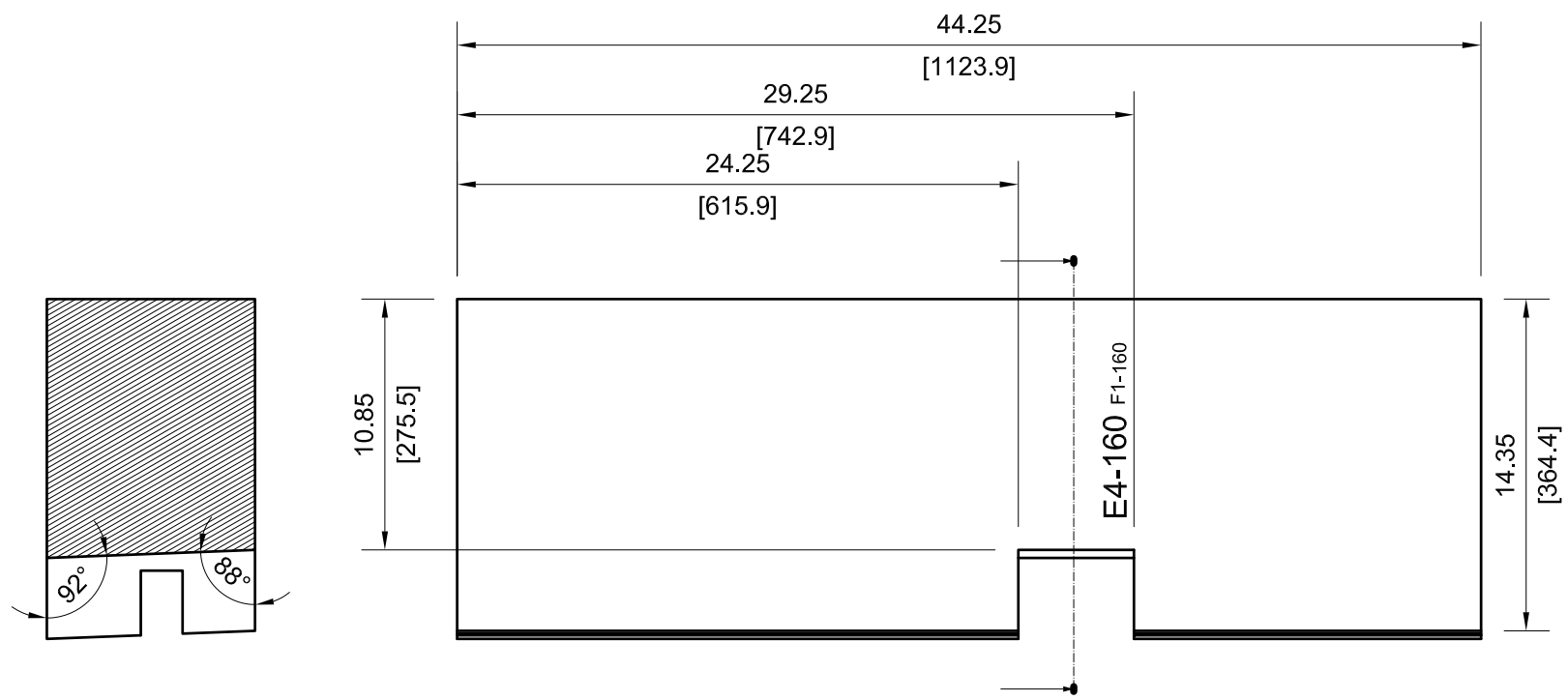
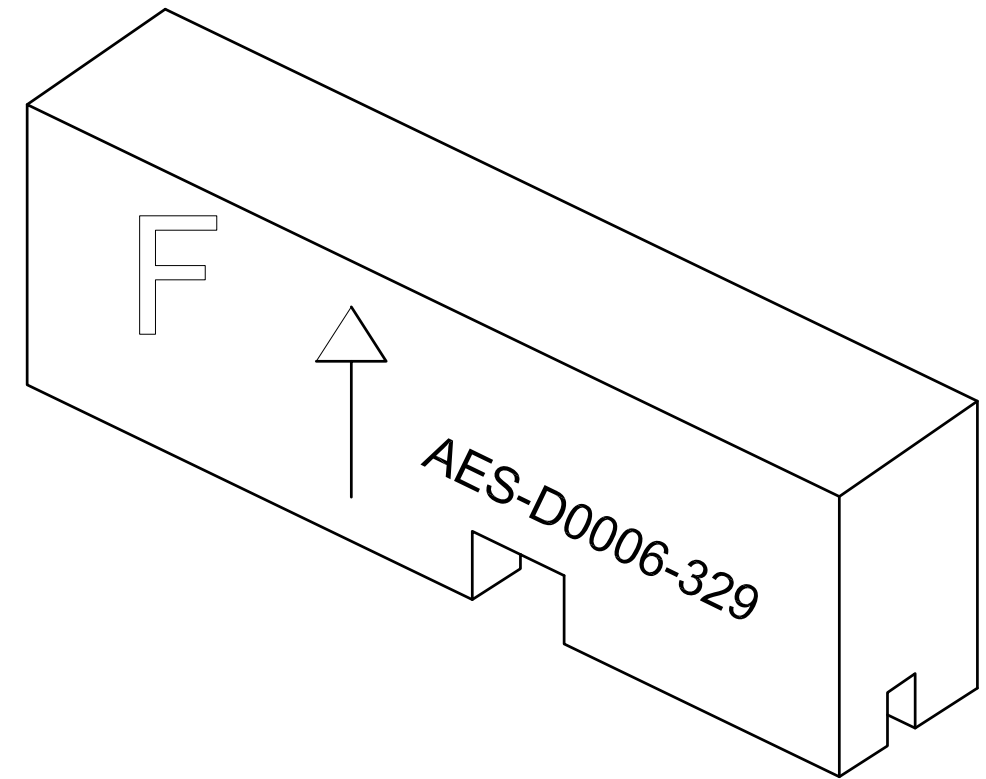
DRAWING NUMBER				
AES-D0006				
SIZE	SCALE	SHEET	OF	REVISION
A3	NONE	158	166	D

-327



DRAWING NUMBER				
AES-D0006				
SIZE	SCALE	SHEET	OF	REVISION
A3	NONE	159	166	D

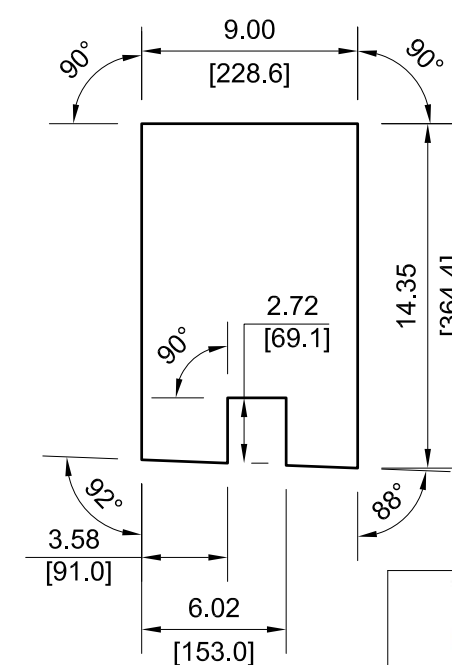
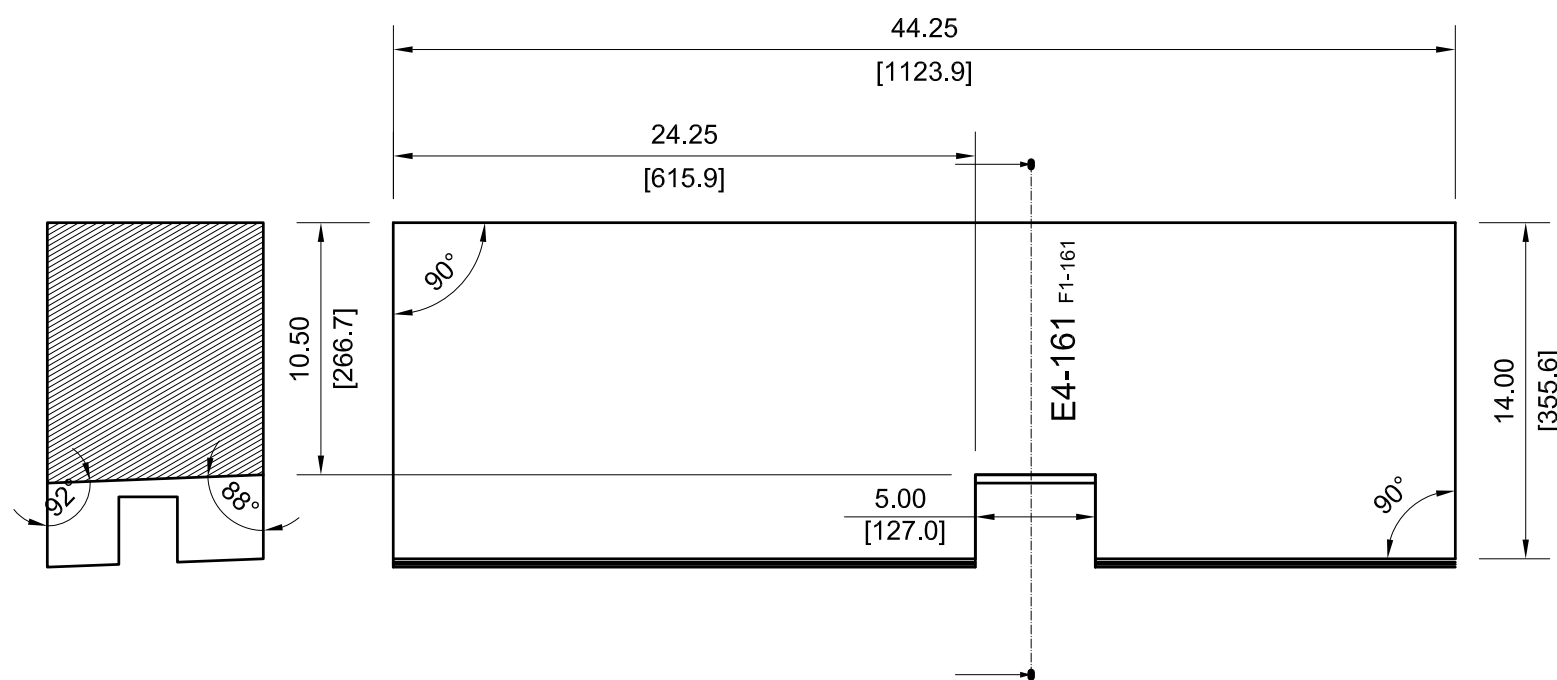
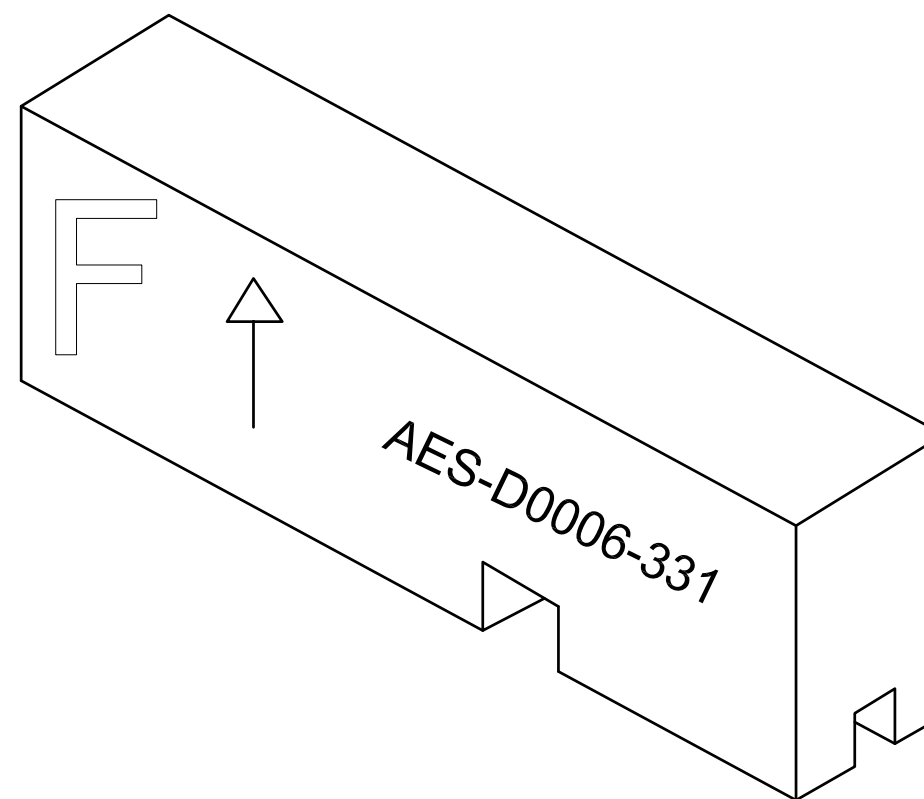
- 329



SECTION VIEW E4-160

		DRAWING NUMBER			
		AES-D0006			
SIZE	SCALE	SHEET	OF	REVISION	
A3	NONE	160	166	D	

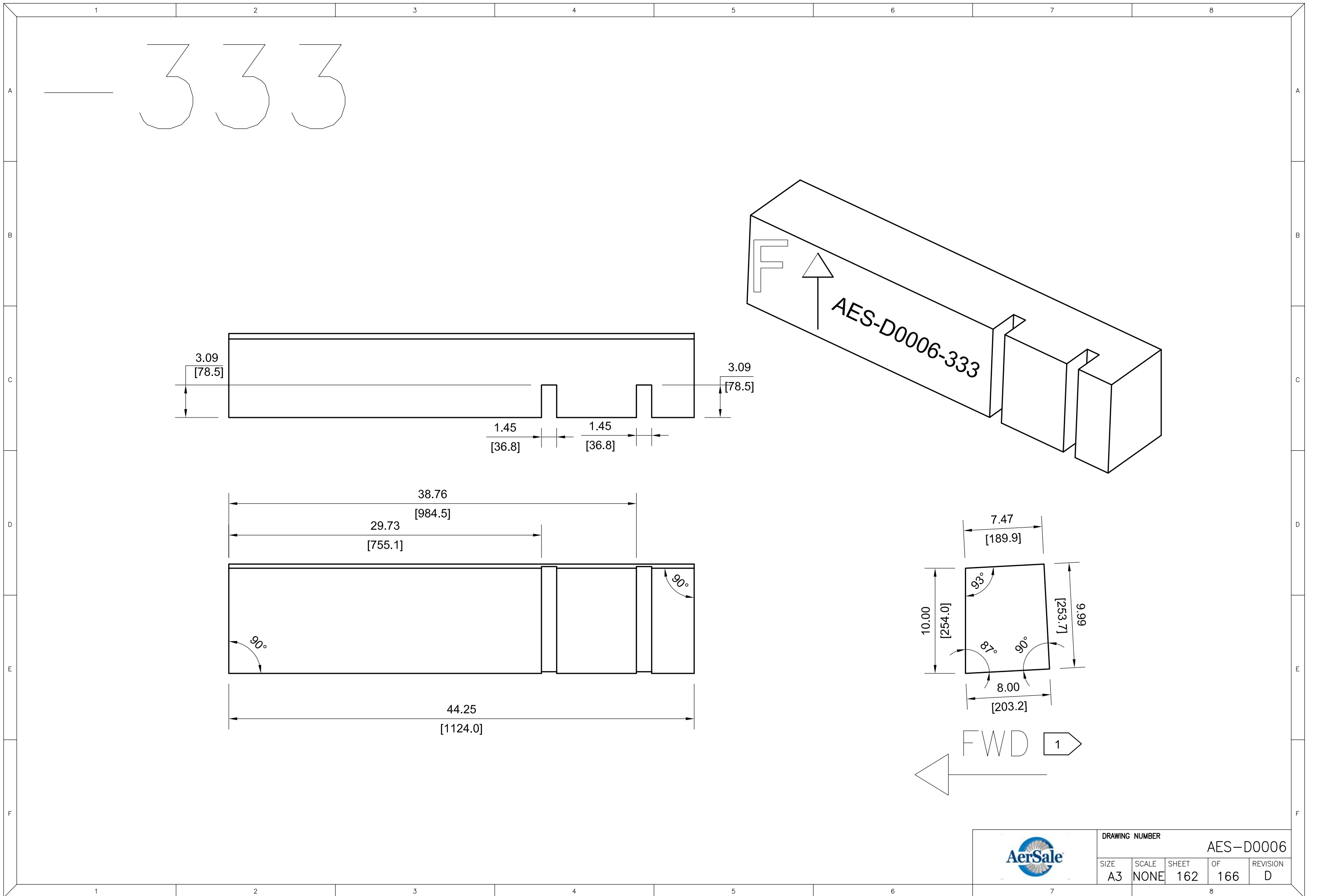
— 331



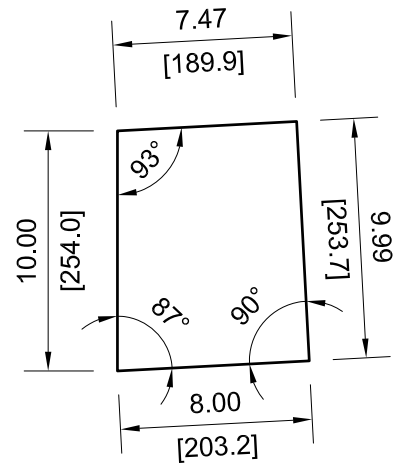
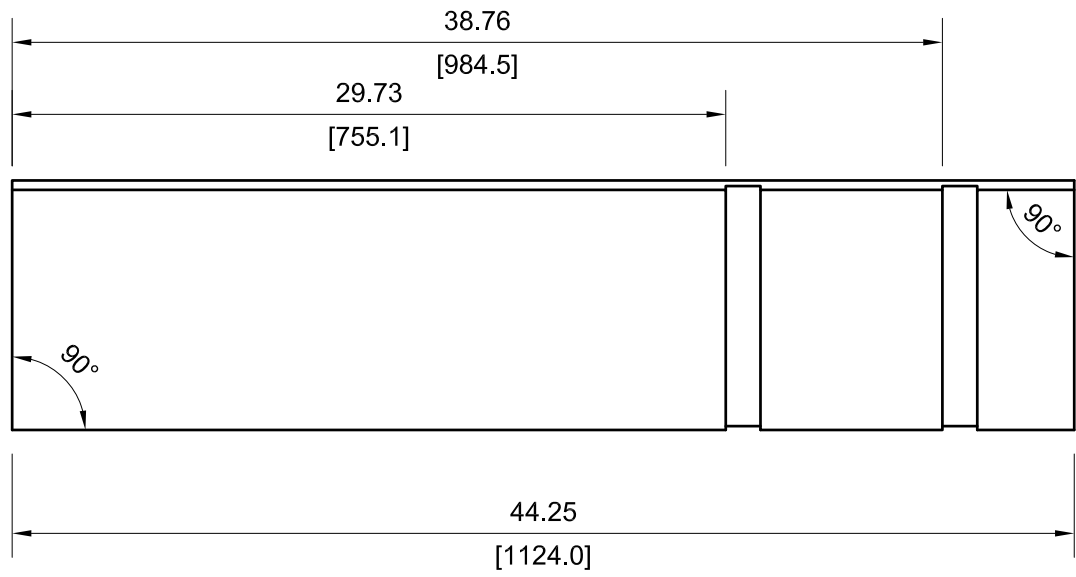
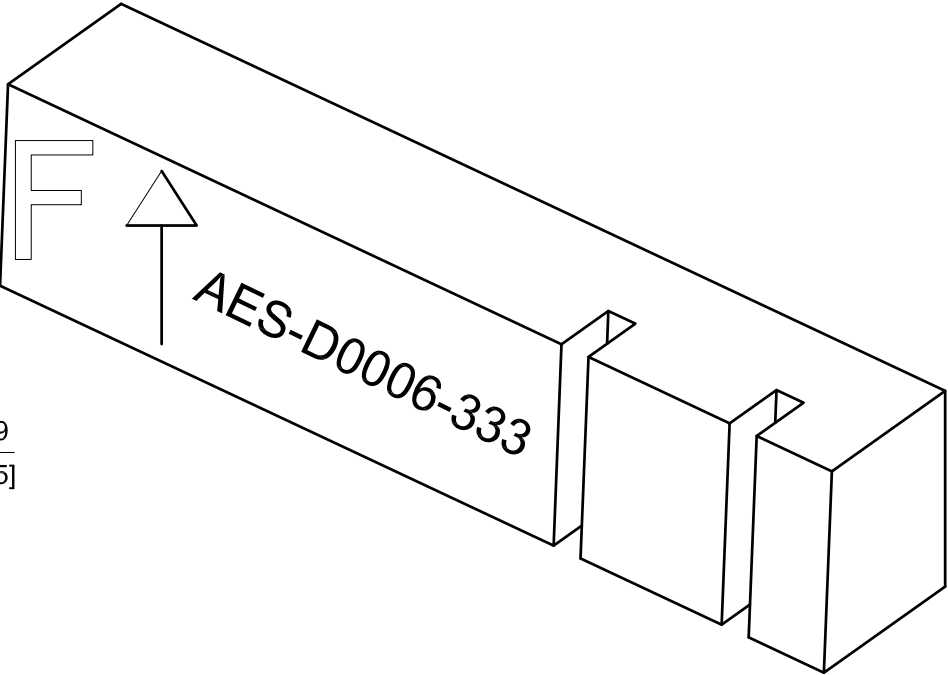
SECTION VIEW E4-161




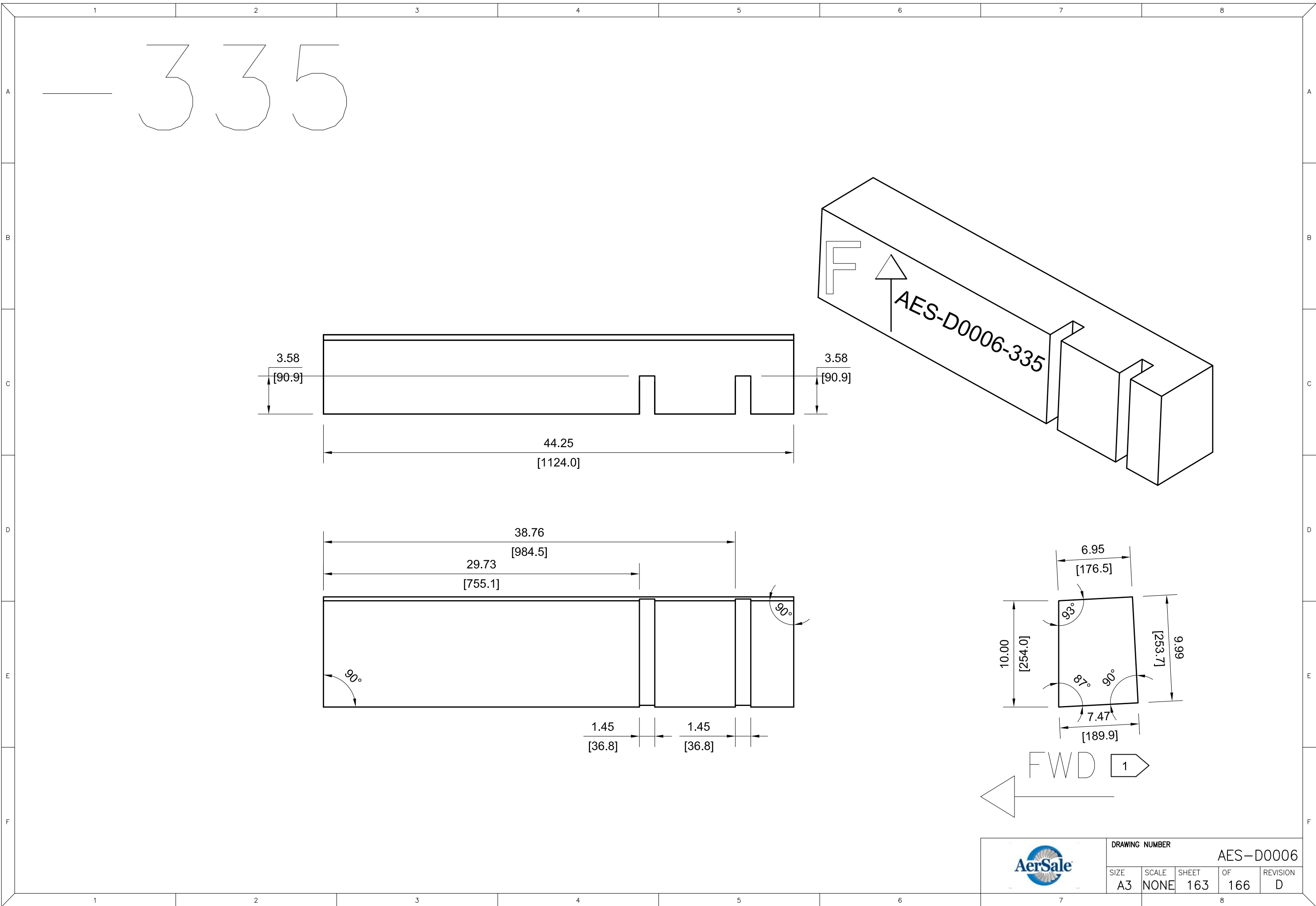
DRAWING NUMBER				
AES-D0006				
SIZE	SCALE	SHEET	OF	REVISION
A3	NONE	161	166	D



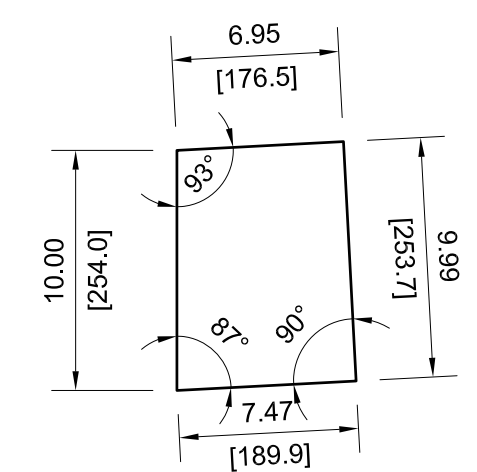
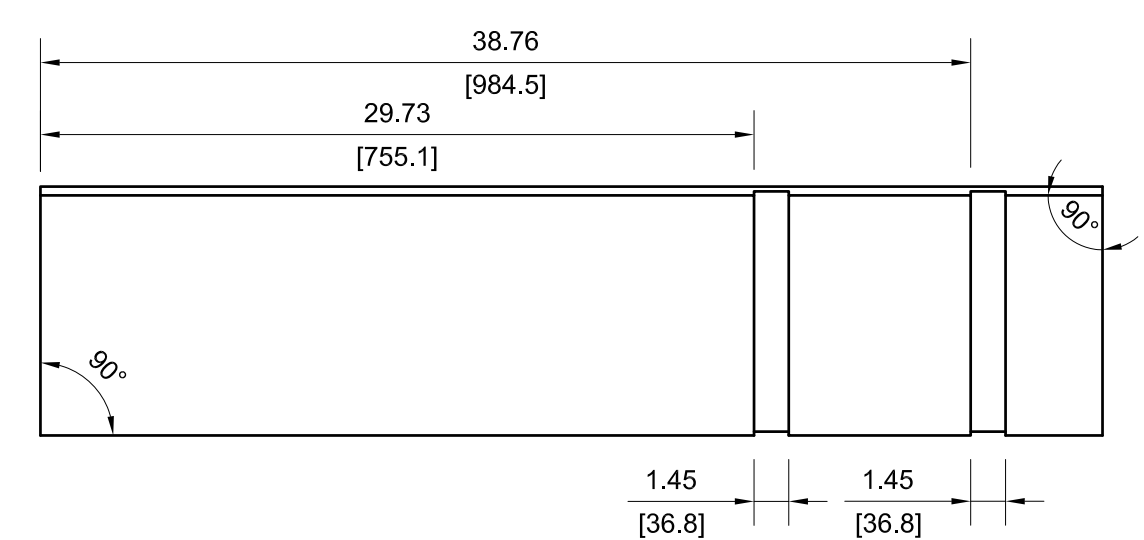
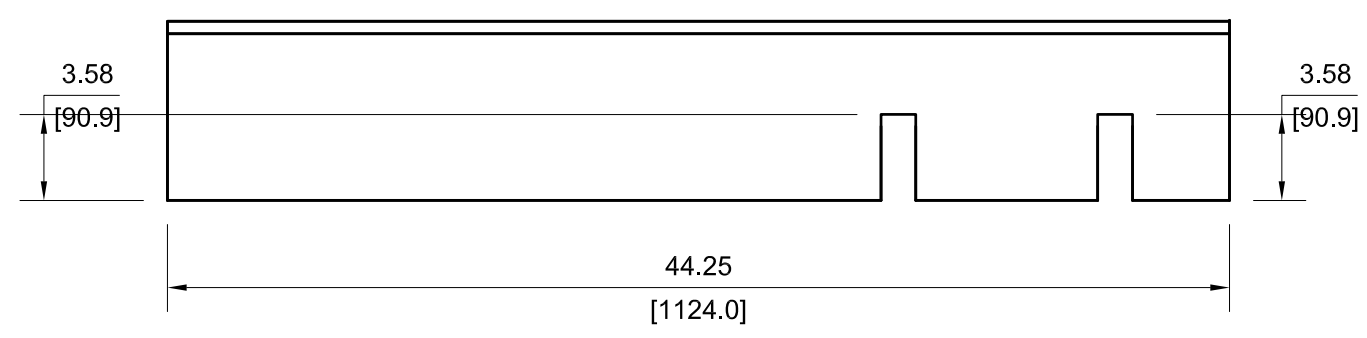
333



		DRAWING NUMBER			
		AES-D0006			
SIZE	SCALE	SHEET	OF	REVISION	
A3	NONE	162	166	D	



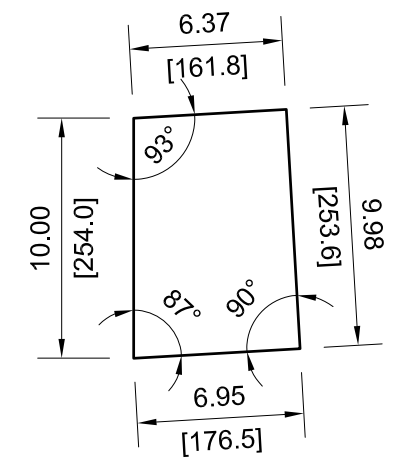
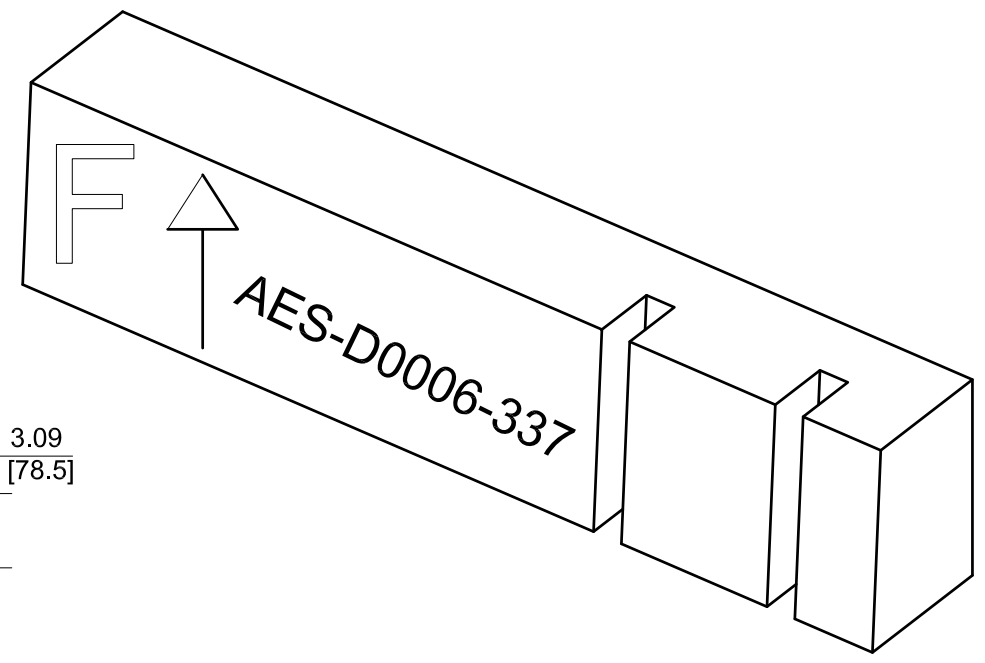
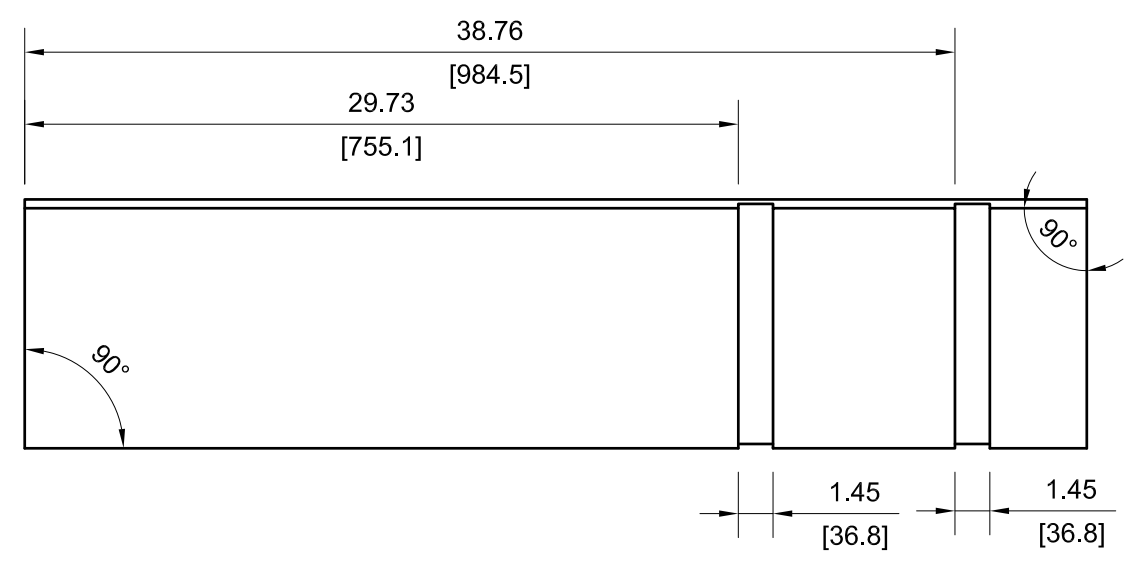
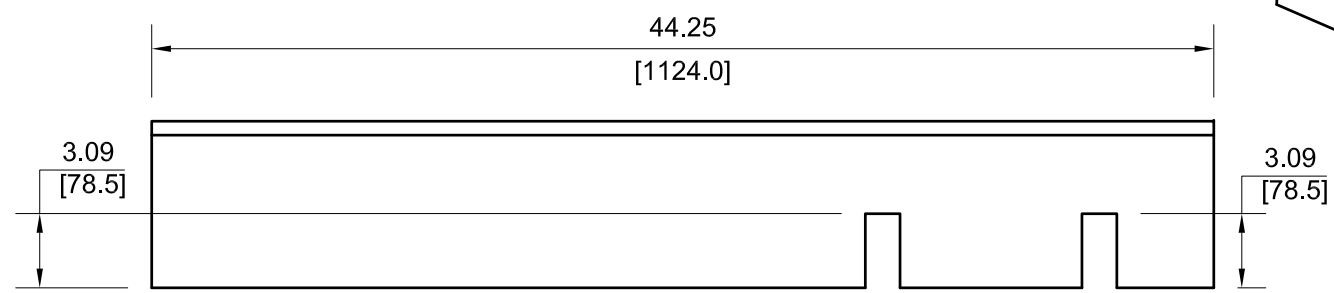
— 335



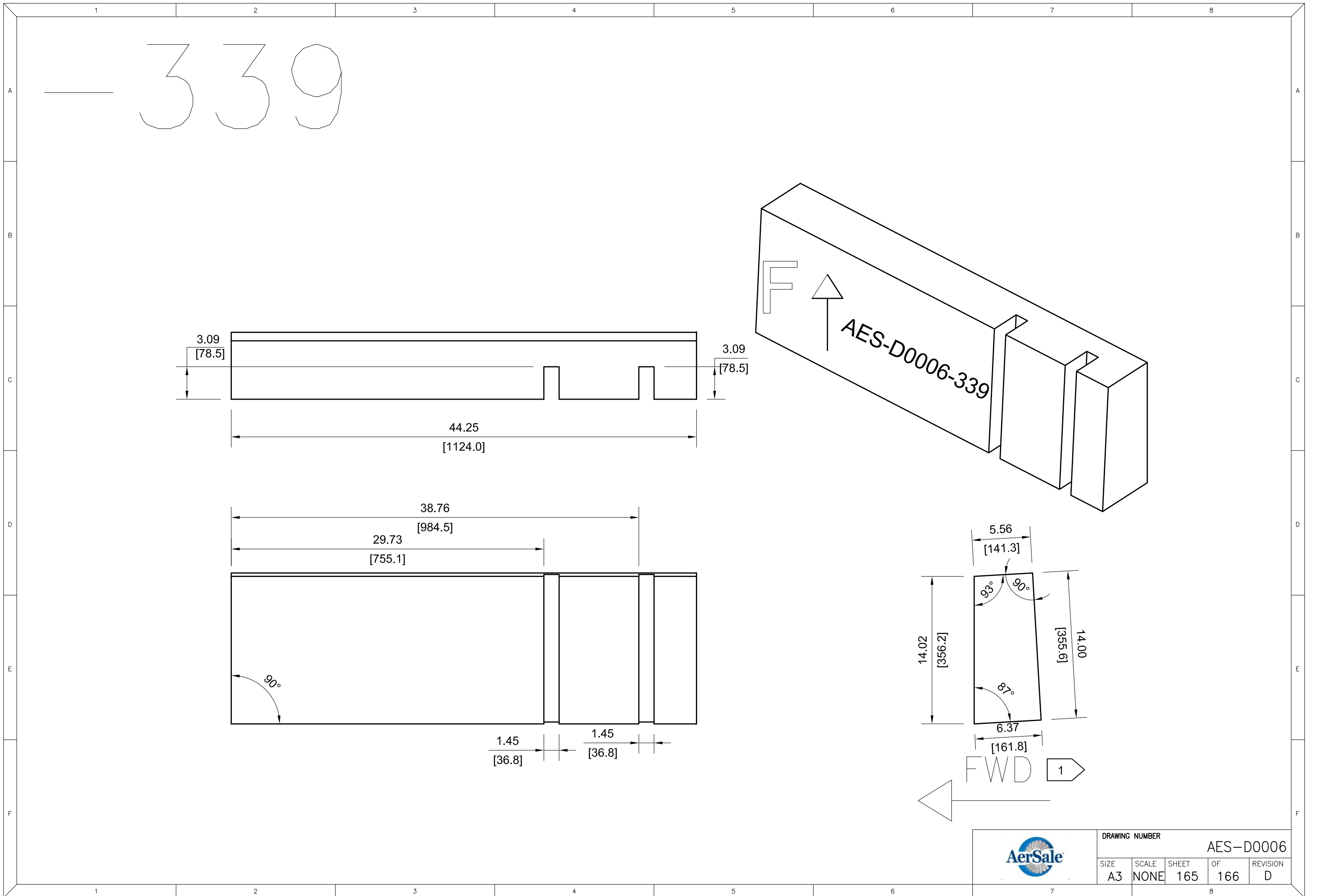
FWD 1

	DRAWING NUMBER			
	AES-D0006			
SIZE	SCALE	SHEET	OF	REVISION
A3	NONE	163	166	D

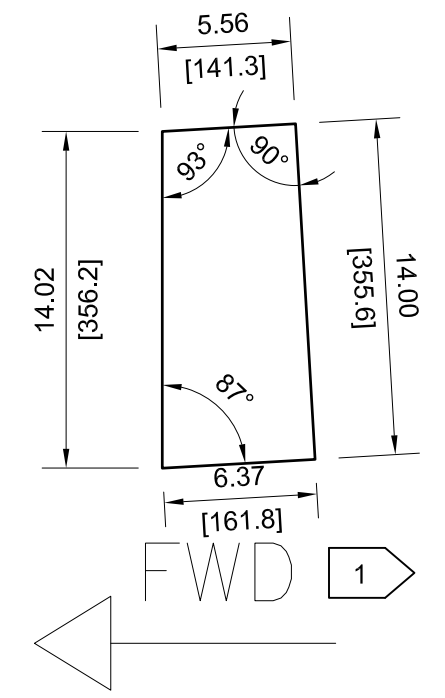
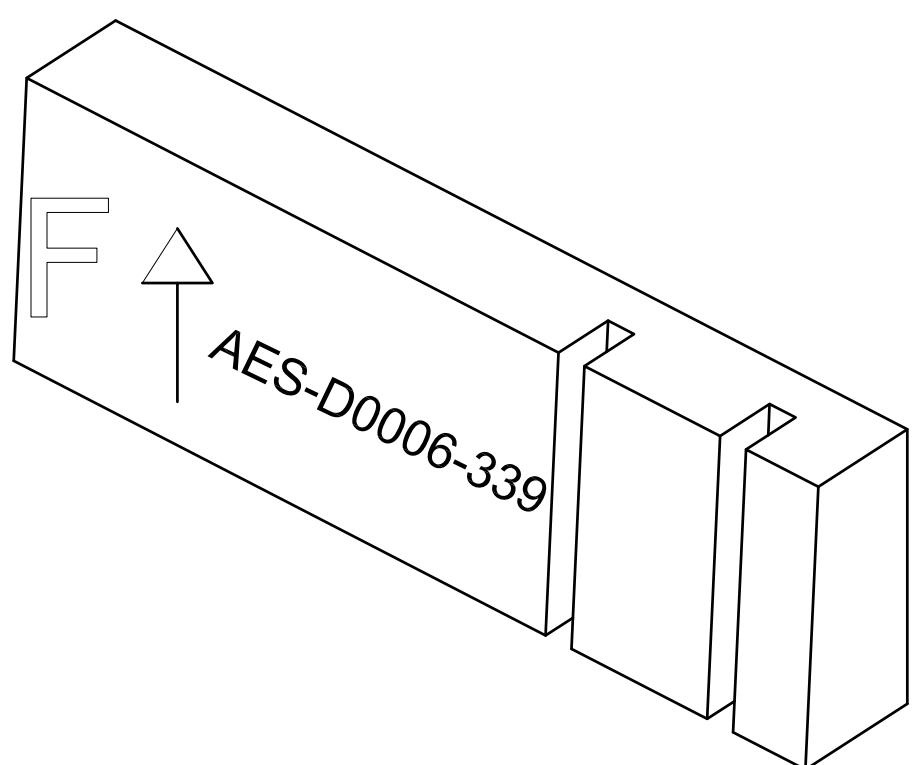
— 337



DRAWING NUMBER				
AES-D0006				
SIZE	SCALE	SHEET	OF	REVISION
A3	NONE	164	166	D

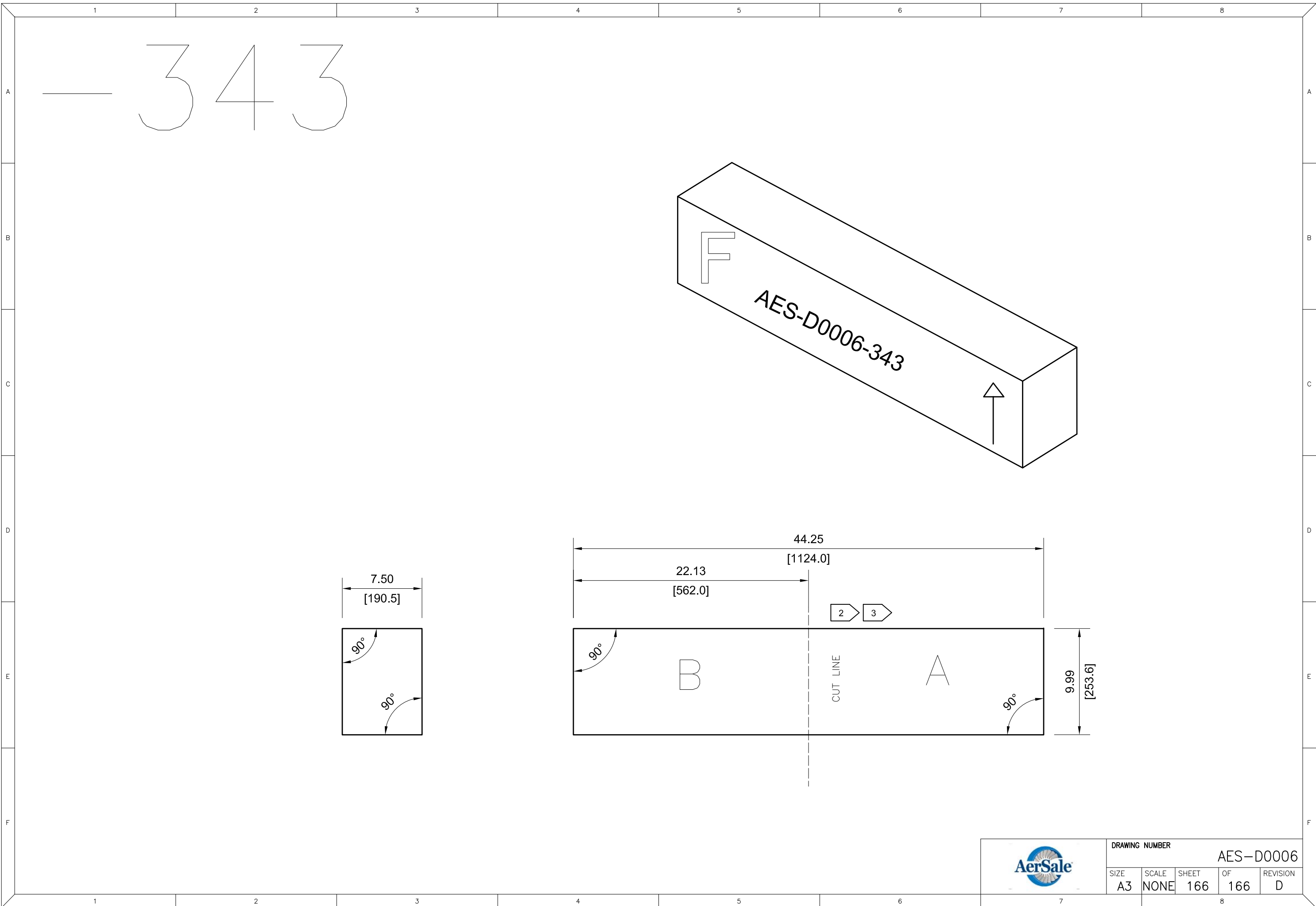


— 339

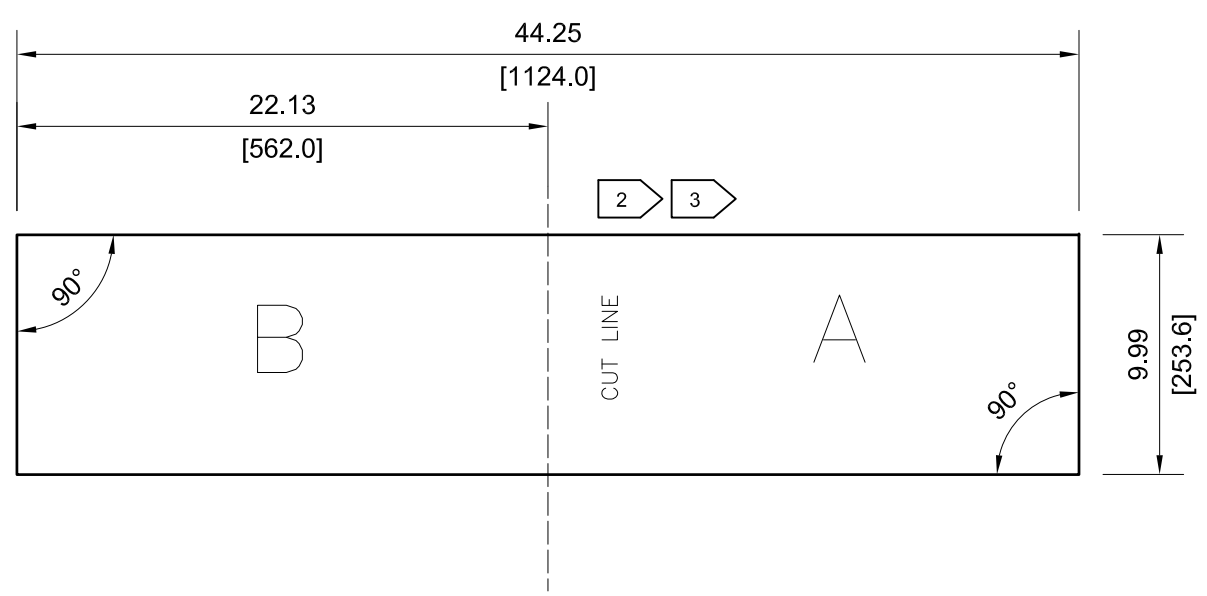
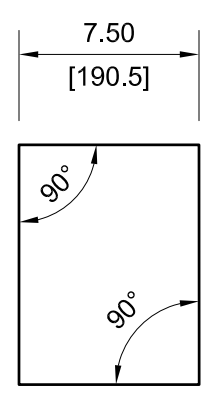
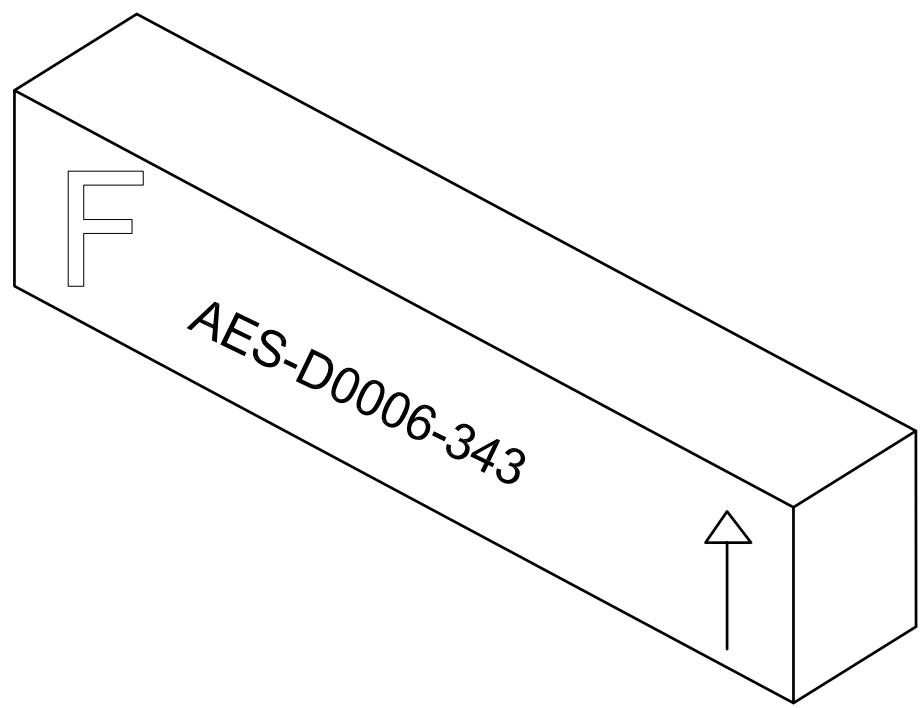



FWD 1

		DRAWING NUMBER			
		AES-D0006			
SIZE	SCALE	SHEET	OF	REVISION	
A3	NONE	165	166	D	



— 343



		DRAWING NUMBER			
		AES-D0006			
SIZE	SCALE	SHEET	OF	REVISION	
A3	NONE	166	166	D	