

REVISIONS		
REV	DESCRIPTION	DATE
-	INITIAL REVISION	13-MAR-2017
-	ADDED ADDITIONAL DIMENSIONS FOR EASE OF INSPECTION. PARTS -163, -171 AND -371 REVISED TO CORRECT DRAFTING ERRORS.	05-MAY-2017
B	CUT LINES ADDED TO PARTS -259, -291, -293 AND -301 TO ASSIST IN INSTALLATION. PARTS -3, -11, -13, -15, -25, -27, -31, -37, -43, -47, -59, -61, -63, -65, -67, -71, -79, -85, -87, -89, -91, -93, -95, -125, -129, -131, -137, -139, -147, -149, -155, -157, -159, -163, -165, -167, -169, -171, -173, -179, -181, -185, -187, 191, -197, -203, -219, -221, -261, -271, -279, -281, -283, -285, -291, -299, -301, -303, -305, -309, -311, -313, -321, -331, -359, -361, -363, -365, -367, -369, -375 UPDATED. FN2, FN3 ADDED. GN11 UPDATED. PART -175 AND -177 MADE OBSOLETE.	17-JAN-2018

INDEX																							
SHEET	REV	DESCRIPTION	NHA	SHEET	REV	DESCRIPTION	NHA	SHEET	REV	DESCRIPTION	NHA	SHEET	REV	DESCRIPTION	NHA	SHEET	REV	DESCRIPTION	NHA	SHEET	REV	DESCRIPTION	NHA
0	B	INDEX	-	32	B	DETAIL -59	-	64	B	DETAIL -123	-	96	B	DETAIL -187	-	128	B	DETAIL -251	-	160	B	DETAIL -315	-
1	B	PARTS LIST	-	33	B	DETAIL -61	-	65	B	DETAIL -125	-	97	B	DETAIL -189	-	129	B	DETAIL -253	-	161	B	DETAIL -317	-
2	B	NOTES	-	34	B	DETAIL -63	-	66	B	DETAIL -127	-	98	B	DETAIL -191	-	130	B	DETAIL -255	-	162	B	DETAIL -319	-
3	B	DETAIL -1	-	35	B	DETAIL -65	-	67	B	DETAIL -129	-	99	B	DETAIL -193	-	131	B	DETAIL -257	-	163	B	DETAIL -321	-
4	B	DETAIL -3	-	36	B	DETAIL -67	-	68	B	DETAIL -131	-	100	B	DETAIL -195	-	132	B	DETAIL -259	-	164	B	DETAIL -323	-
5	B	DETAIL -5	-	37	B	DETAIL -69	-	69	B	DETAIL -133	-	101	B	DETAIL -197	-	133	B	DETAIL -261	-	165	B	DETAIL -325	-
6	B	DETAIL -7	-	38	B	DETAIL -71	-	70	B	DETAIL -135	-	102	B	DETAIL -199	-	134	B	DETAIL -263	-	166	B	DETAIL -327	-
7	B	DETAIL -9	-	39	B	DETAIL -73	-	71	B	DETAIL -137	-	103	B	DETAIL -201	-	135	B	DETAIL -265	-	167	B	DETAIL -329	-
8	B	DETAIL -11	-	40	B	DETAIL -75	-	72	B	DETAIL -139	-	104	B	DETAIL -203	-	136	B	DETAIL -267	-	168	B	DETAIL -331	-
9	B	DETAIL -13	-	41	B	DETAIL -77	-	73	B	DETAIL -141	-	105	B	DETAIL -205	-	137	B	DETAIL -269	-	169	B	DETAIL -333	-
10	B	DETAIL -15	-	42	B	DETAIL -79	-	74	B	DETAIL -143	-	106	B	DETAIL -207	-	138	B	DETAIL -271	-	170	B	DETAIL -335	-
11	B	DETAIL -17	-	43	B	DETAIL -81	-	75	B	DETAIL -145	-	107	B	DETAIL -209	-	139	B	DETAIL -273	-	171	B	DETAIL -337	-
12	B	DETAIL -19	-	44	B	DETAIL -83	-	76	B	DETAIL -147	-	108	B	DETAIL -211	-	140	B	DETAIL -275	-	172	B	DETAIL -339	-
13	B	DETAIL -21	-	45	B	DETAIL -85	-	77	B	DETAIL -149	-	109	B	DETAIL -213	-	141	B	DETAIL -277	-	173	B	DETAIL -341	-
14	B	DETAIL -23	-	46	B	DETAIL -87	-	78	B	DETAIL -151	-	110	B	DETAIL -215	-	142	B	DETAIL -279	-	174	B	DETAIL -343	-
15	B	DETAIL -25	-	47	B	DETAIL -89	-	79	B	DETAIL -153	-	111	B	DETAIL -217	-	143	B	DETAIL -281	-	175	B	DETAIL -345	-
16	B	DETAIL -27	-	48	B	DETAIL -91	-	80	B	DETAIL -155	-	112	B	DETAIL -219	-	144	B	DETAIL -283	-	176	B	DETAIL -347	-
17	B	DETAIL -29	-	49	B	DETAIL -93	-	81	B	DETAIL -157	-	113	B	DETAIL -221	-	145	B	DETAIL -285	-	177	B	DETAIL -349	-
18	B	DETAIL -31	-	50	B	DETAIL -95	-	82	B	DETAIL -159	-	114	B	DETAIL -223	-	146	B	DETAIL -287	-	178	B	DETAIL -351	-
19	B	DETAIL -33	-	51	B	DETAIL -97	-	83	B	DETAIL -161	-	115	B	DETAIL -225	-	147	B	DETAIL -289	-	179	B	DETAIL -353	-
20	B	DETAIL -35	-	52	B	DETAIL -99	-	84	B	DETAIL -163	-	116	B	DETAIL -227	-	148	B	DETAIL -291	-	180	B	DETAIL -355	-
21	B	DETAIL -37	-	53	B	DETAIL -101	-	85	B	DETAIL -165	-	117	B	DETAIL -229	-	149	B	DETAIL -293	-	181	B	DETAIL -357	-
22	B	DETAIL -39	-	54	B	DETAIL -103	-	86	B	DETAIL -167	-	118	B	DETAIL -231	-	150	B	DETAIL -295	-	182	B	DETAIL -359	-
23	B	DETAIL -41	-	55	B	DETAIL -105	-	87	B	DETAIL -169	-	119	B	DETAIL -233	-	151	B	DETAIL -297	-	183	B	DETAIL -361	-
24	B	DETAIL -43	-	56	B	DETAIL -107	-	88	B	DETAIL -171	-	120	B	DETAIL -235	-	152	B	DETAIL -299	-	184	B	DETAIL -363	-
25	B	DETAIL -45	-	57	B	DETAIL -109	-	89	B	DETAIL -173	-	121	B	DETAIL -237	-	153	B	DETAIL -301	-	185	B	DETAIL -365	-
26	B	DETAIL -47	-	58	B	DETAIL -111	-	90	B	DETAIL -175	-	122	B	DETAIL -239	-	154	B	DETAIL -303	-	186	B	DETAIL -367	-
27	B	DETAIL -49	-	59	B	DETAIL -113	-	91	B	DETAIL -177	-	123	B	DETAIL -241	-	155	B	DETAIL -305	-	187	B	DETAIL -369	-
28	B	DETAIL -51	-	60	B	DETAIL -115	-	92	B	DETAIL -179	-	124	B	DETAIL -243	-	156	B	DETAIL -307	-	188	B	DETAIL -371	-
29	B	DETAIL -53	-	61	B	DETAIL -117	-	93	B	DETAIL -181	-	125	B	DETAIL -245	-	157	B	DETAIL -309	-	189	B	DETAIL -373	-
30	B	DETAIL -55	-	62	B	DETAIL -119	-	94	B	DETAIL -183	-	126	B	DETAIL -247	-	158	B	DETAIL -311	-	190	B	DETAIL -375	-
31	B	DETAIL -57	-	63	B	DETAIL -121	-	95	B	DETAIL -185	-	127	B	DETAIL -249	-	159	B	DETAIL -313	-				

UNLESS OTHERWISE SPECIFIED DIMENSIONS ARE IN INCHES [MM] TOLERANCES ARE:

.X ±.25 ±[6.35]	.XX ±.25 ±[6.35]	.XXX ±.25 ±[6.35]	ANGLE ±2'
-----------------------	------------------------	-------------------------	--------------

THIRD ANGLE PROJECTION

DO NOT SCALE DRAWING

THE INFORMATION CONTAINED HEREIN IS PROPRIETARY TO COMTECH AVIATION SERVICES AND SHALL NOT BE REPRODUCED OR DISCLOSED IN WHOLE OR IN PART OR USED FOR ANY DESIGN OR MANUFACTURE EXCEPT WHEN SUCH USER POSSESSES DIRECT, WRITTEN AUTHORIZATION FROM COMTECH AVIATION SERVICES.

CAD DRAWING NOT TO BE REVISED BY HAND

APPROVALS	DATE	APPROVALS	DATE
DRAWN A. CHONG 	17 JAN 2018	STRUCTURES N/A	
CHECKED F. WAHAB 	17 JAN 2018	SYSTEMS N/A	
INTERIORS N/A		APPROVED R. BLASCO 	17 JAN 2018

121 ALHAMBRA PLAZA
SUITE 1700, CORAL GABLES
FL 33134 USA
WWW.AERSALE.COM

DRAWING TITLE
**FOAM BLOCK - LEFT AUXILIARY SECTION
767**

SIZE **A3** DRAWING NUMBER **AES-D0009** REV **B**

SCALE **NONE** DATASET **AES-D0009B** SHEET **0** OF **190**

GENERAL NOTES:

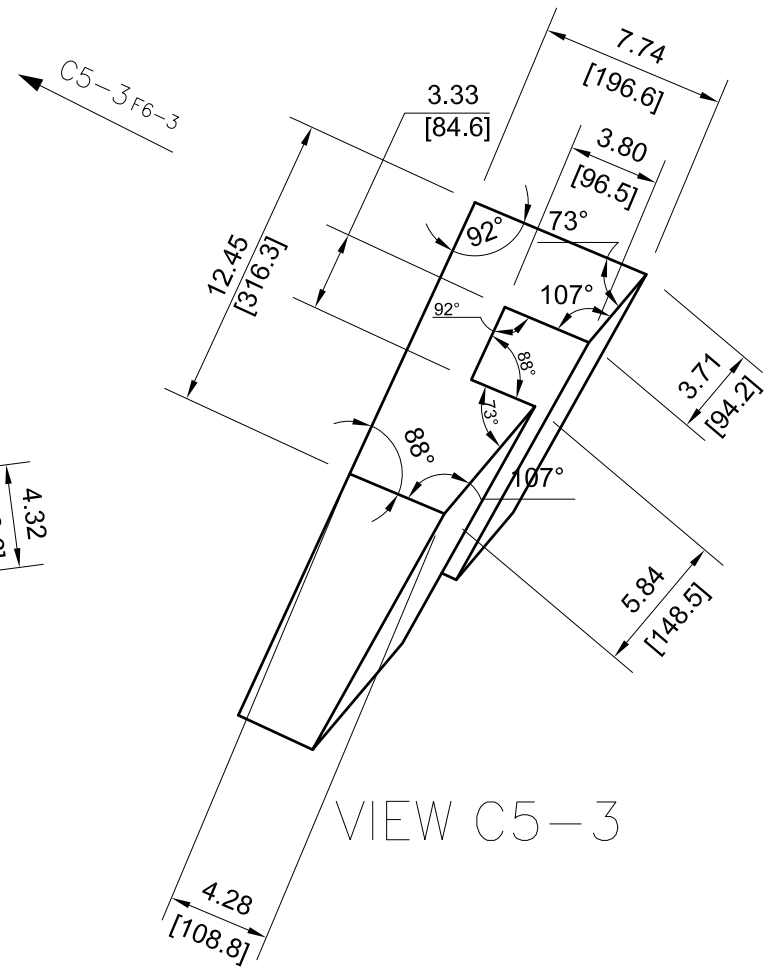
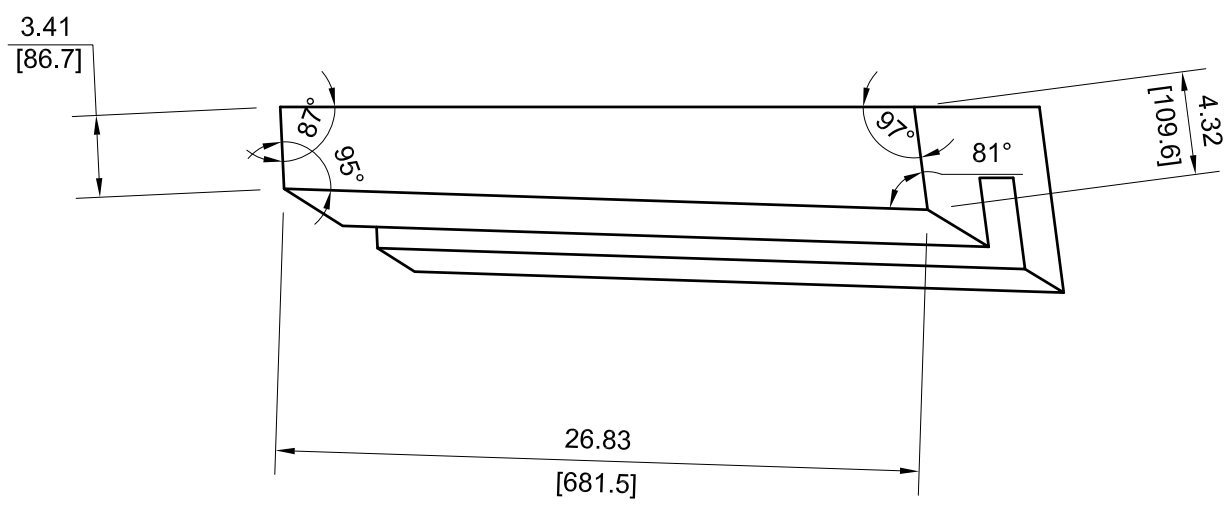
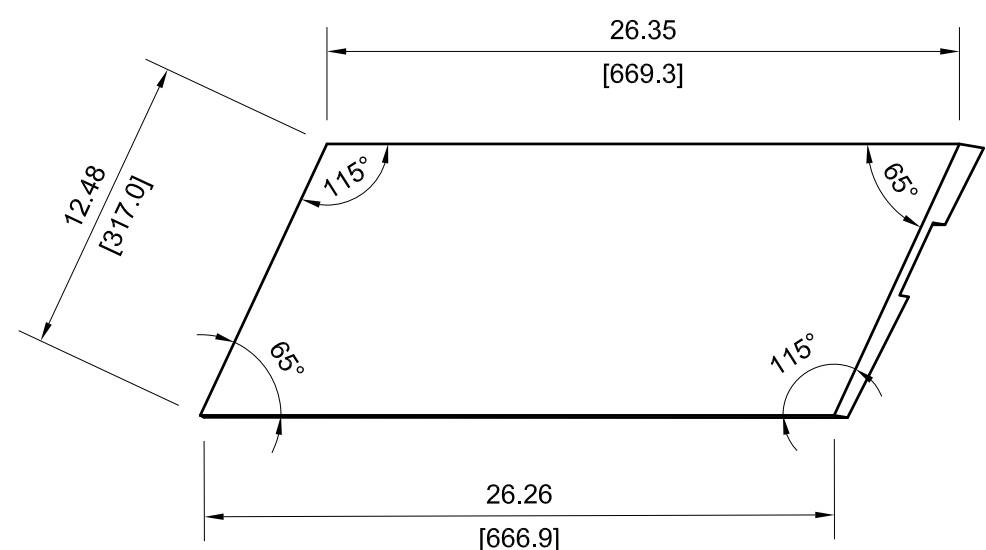
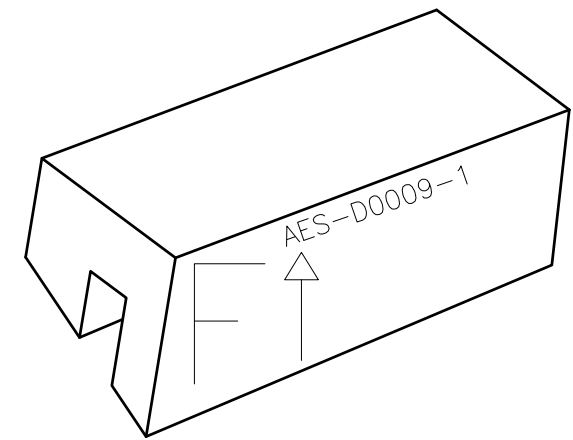
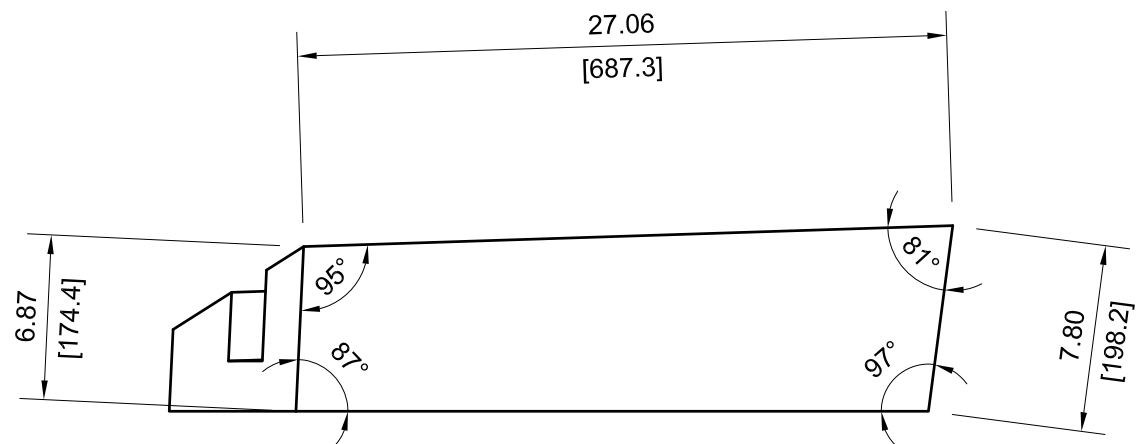
- GN1 FOAM TO BE IN ACCORDANCE WITH MIL SPEC MIL-PRF-87260B, CLASS 2 - GRADE 1 (COARSE PORE).
- GN2 IF BULK FOAM MATERIAL IS PROVIDED, THE FOAM SHOULD BE RECEIVED IN A MULTIPACKED CONFIGURATION FROM THE SUPPLIER TO ENSURE NO CONTAMINATION. MULTIPLE BUNS MAY BE CONTAINED IN A PACKAGE BUT EACH BUN MUST BE INDIVIDUALLY PACKED. UPON RECEIPT OF THE PACKAGES, CHECK THE PACKAGING FOR DAMAGE. IF DAMAGE IS PRESENT, CHECK THE FOAM FOR DAMAGE / CONTAMINATION. REFER TO SAE SPECIFICATION AIR4170 REV. B, PARAGRAPH 3.7.1 FOR INFORMATION ON PACKAGING DAMAGE.
- GN3 STORAGE OF THE FOAM MUST BE IN UNDA MAGED PACKAGING AWAY FROM ULTRAVIOLET LIGHT AND IN AN ENVIRONMENT WHERE CONTAMINATION IS AVOIDED. REFER TO SAE SPECIFICATION AIR4170 REV. B, PARAGRAPH 3.7.1 FOR INFORMATION ON PACKAGING DAMAGE.
- GN4 THE FABRICATOR'S MANUFACTURING AREA SHOULD MEET REQUIRED CLEANLINESS TO CONTROL CONTAMINANTS THAT WOULD ADVERSELY AFFECT THE MATERIAL OR ITS FUNCTIONALITY. IT IS EXTREMELY IMPORTANT TO CONTROL SUCH CONTAMINANTS AS FOREIGN PARTICLES, METAL PARTICLES, DUST, SUNLIGHT, WATER, WATER VAPOR STEAM, HARMFUL LIQUIDS, AND HARMFUL GASES. MANUFACTURING MANAGEMENT SHOULD ADDRESS THE REQUIREMENTS IDENTIFIED IN SAE SPECIFICATION AIR4170 REV. B, PARAGRAPH 3.7.3.
- GN5 CUTTING AND SHAPING OF INDIVIDUAL FOAM COMPONENTS CAN BE ACCOMPLISHED BY THE FOLLOWING METHODS:
A. HOT WIRE CUTTING (SEE SAE SPECIFICATION AIR4170 REV. B, PARAGRAPH 3.7.3.1).
B. MECHANICAL BLADE TYPE CUTTING (BAND SAW, ELECTRIC KNIFE) (SEE SAE SPECIFICATION AIR4170 REV. B, PARAGRAPH 3.7.3.2)
C. SPECIALLY DESIGNED / MANUFACTURED SMOOTH BLADE TYPE CUTTING TOOLS.
- GN6 HANDLING OF RETICULATED POLYURETHANE FOAM SHOULD NOT RESULT IN THE TRANSFER OF FOREIGN MATERIALS ONTO, OR INTO THE FOAM STRUCTURE. THE CLOTHING WORN BY PERSONNEL FABRICATING THE COMPONENTS/KITS SHOULD NOT BE A SOURCE OF CONTAMINATION TO THE FUEL CELL BAFFLE MATERIAL. REFER TO SAE SPECIFICATION AIR4170 REV. B, PARAGRAPH 3.7.3.3 FOR FURTHER DETAILS.
- GN7 UPON COMPLETION OF FABRICATION AND BEFORE FINAL INSPECTION, COMPONENTS WILL REQUIRE A FINAL CLEANING TO REMOVE ANY FOAM DEBRIS OR CONTAMINANTS LEFT FROM THE FABRICATING PROCESS. ALL COMPONENTS MUST BE BOUNCED AND THOROUGHLY SCRUBBED ON A SCREEN OR HARDWARE CLOTH TO REMOVE LOOSE PARTICLES OF FOAM AND/OR BEADS OF MELTED FOAM AS A RESULT OF FABRICATION. REFER TO SAE SPECIFICATION AIR4170 REV. B, PARAGRAPH 3.7.3.4 FOR INFORMATION ON CLEANING.
- GN8 COMPONENT IDENTIFICATION NUMBERS/LETTERS MUST BE APPLIED TO EACH COMPONENT AFTER FABRICATION IN THE POSITION SHOWN ON THE DRAWINGS. REFER GN10 & GN11 FOR ADDITIONAL DETAILS ON MARKING. PART MARKING MUST ALSO INCLUDE DATE OF FABRICATION. INK TO BE IN ACCORDANCE WITH FEDERAL SPECIFICATION A-A-208() IN A CONTRASTING COLOUR.
- GN9 IMMEDIATELY UPON COMPLETING THE CLEANING AND IDENTIFICATION MARKING OF A COMPONENT IT SHALL BE PACKAGED TO PREVENT POSSIBLE CONTAMINATION. MINIMUM LEVEL OF PROTECTION WHEN PACKAGING SHOULD BE AS FOLLOWS:
- EACH INDIVIDUAL COMPONENT SHALL BE WRAPPED IN A 4-MIL, BLACK POLYETHYLENE FILM, TAPED OR SEALED CLOSED, AND PROPERLY IDENTIFIED
- INDIVIDUALLY WRAPPED COMPONENTS SHALL THEN BE MULTIPACKED INTO COMMERCIAL GRADE CORRUGATED CARTONS, AND SEALED CLOSED WITH TAPE. MARKINGS ON THE EXTERIOR CARTON SHALL IDENTIFY THE CONTENTS. THE PACKAGED COMPONENTS/KITS SHALL BE STORED IN AN AREA TO PROTECT THEM FROM THE OUTDOOR ENVIRONMENT.
REFER TO SAE SPECIFICATION AIR4170 REV. B, PARAGRAPH 3.7.6 FOR INFORMATION ON PACKAGING AND STORAGE
- GN10 MARKINGS ON THE FOAM REPRESENT THE FOLLOWING:
'F' - FACE OF FOAM FACING FORWARD OF THE AIRCRAFT
'A' - FACE OF FOAM FACING AFT OF THE AIRCRAFT
↑ - 'THIS END UP' ARROW
- GN11 PART NUMBER AND ALL MARKINGS PER GN10 TO BE MARKED IN POSITION SHOWN ON DRAWING. THE TEXT HEIGHT FOR FACE OF FOAM ('F' OR 'A') AND ARROW IS 3 INCHES. THE TEXT HEIGHT FOR PART NUMBER IS 1.5 INCHES. HOWEVER, IF CONSTRAINED FOR SPACE PART NUMBER CAN BE MARKED ON ADJACENT FACES. ARROWS NEED TO BE CONSPICUOUS.
- GN12 PAGE 0 CONTAINS REV BLOCK, DOC NAME/REV/DATE/NUMBER, TOLERANCES, SIGNATURES AND INDEX.

FLAG NOTES:

- 1 → ARROW INDICATES DIRECTION OF AIRCRAFT RELATIVE TO THE FOAM SECTION VIEW. THIS IS TO ASSIST MARKINGS ON THE FOAM BLOCK.
- 2 → REFES TO CUT LINE, DIMENSIONS TO AND FROM CUT-LINE HAVE TOLERANCE +/- 1 INCH.
- 3 → ONCE PARTS ARE CUT, ENSURE PART NUMBER AND ALL MARKINGS ARE REPLICATED ON ALL SPLIT PARTS, ADDITIONALLY, MARL THE LETTERS 'A' OR 'B' AS INDICATED ON THE DRAWING.

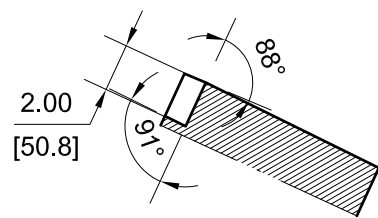
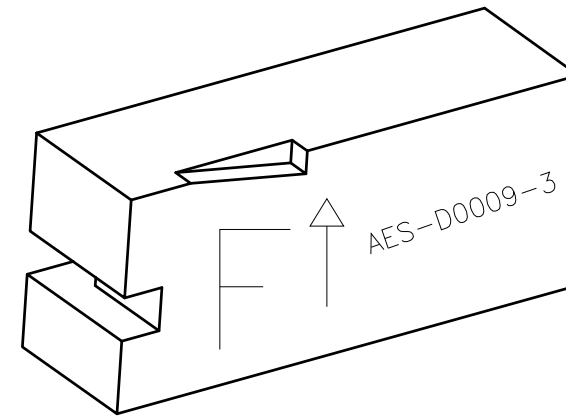
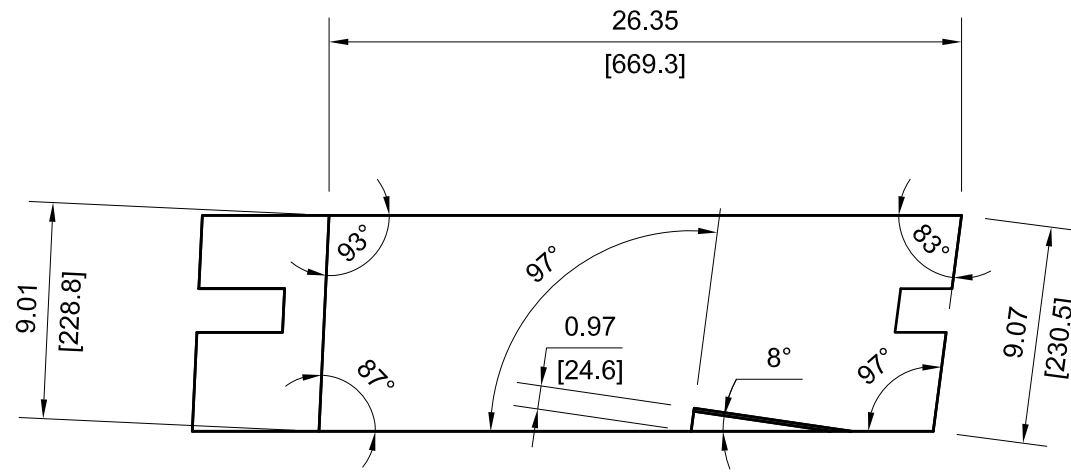


DRAWING NUMBER				
AES-D0009				
SIZE	SCALE	SHEET	OF	REVISION
A3	NONE	2	190	B

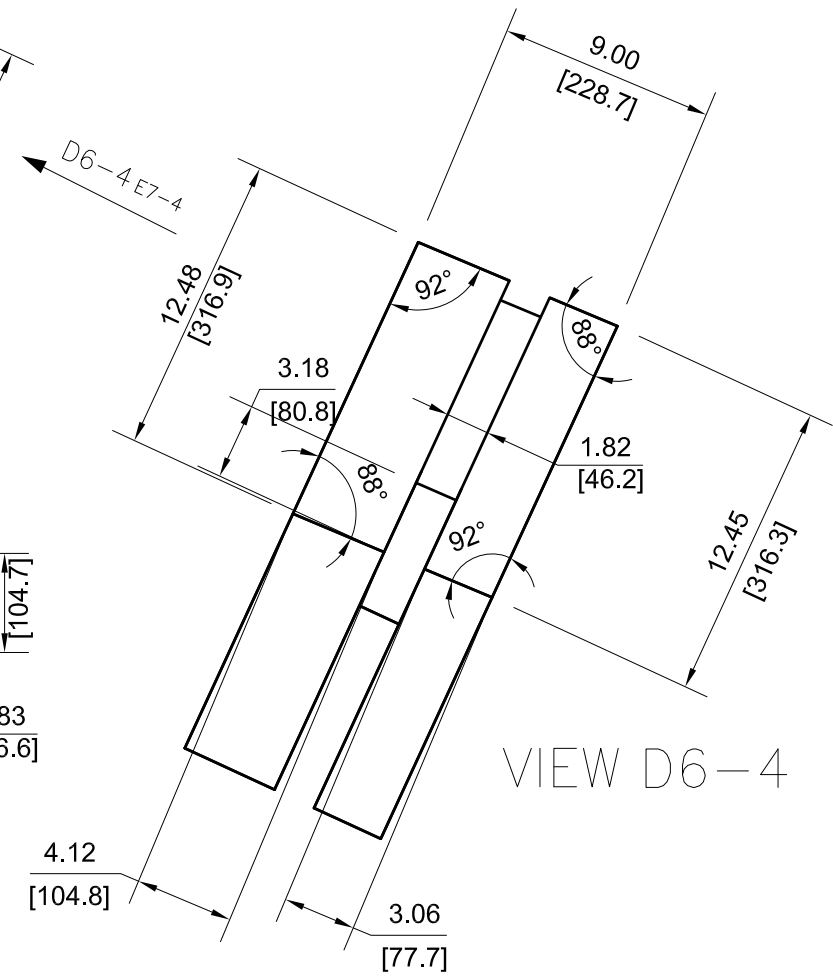
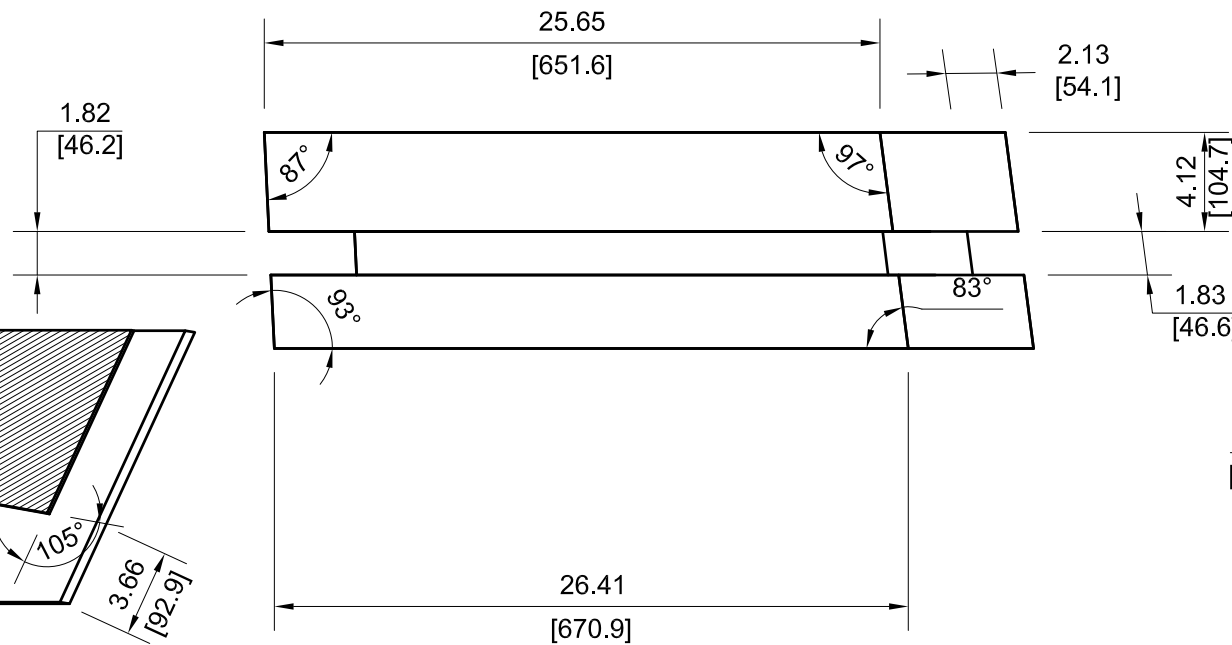
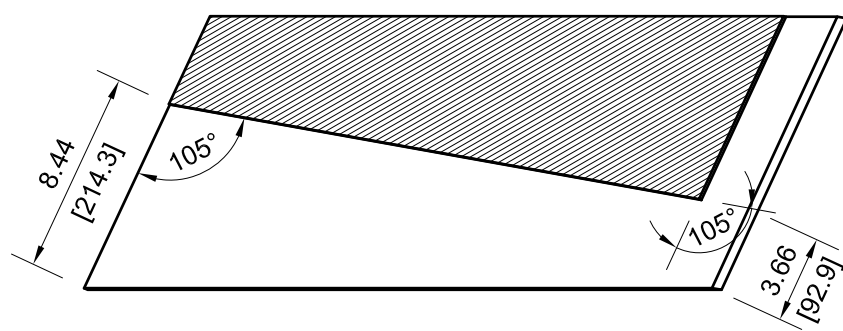
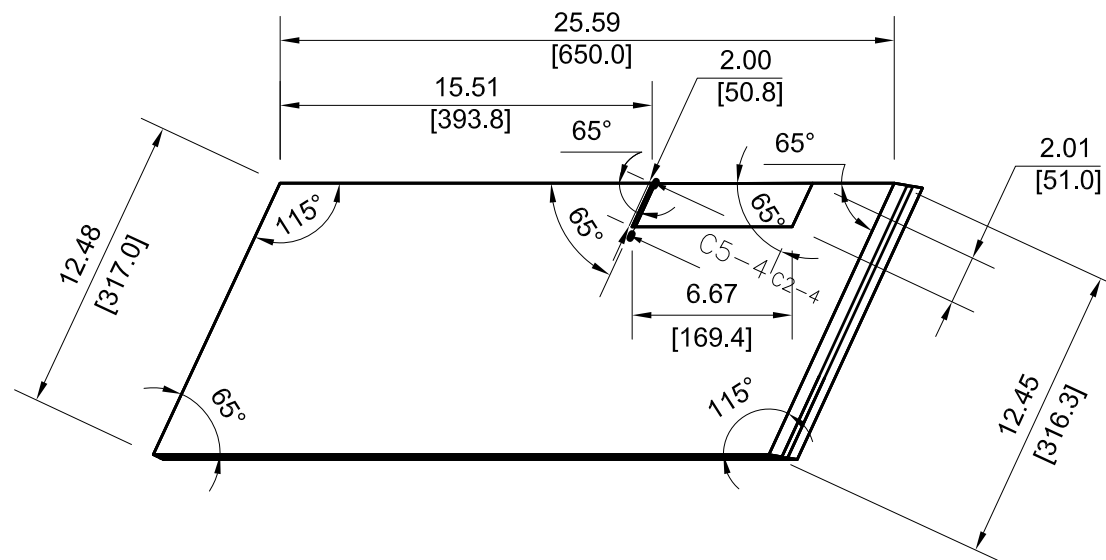


DRAWING NUMBER					AES-D0009	
SIZE	SCALE	SHEET	OF	REVISION		
A3	NONE	3	190	B		

3



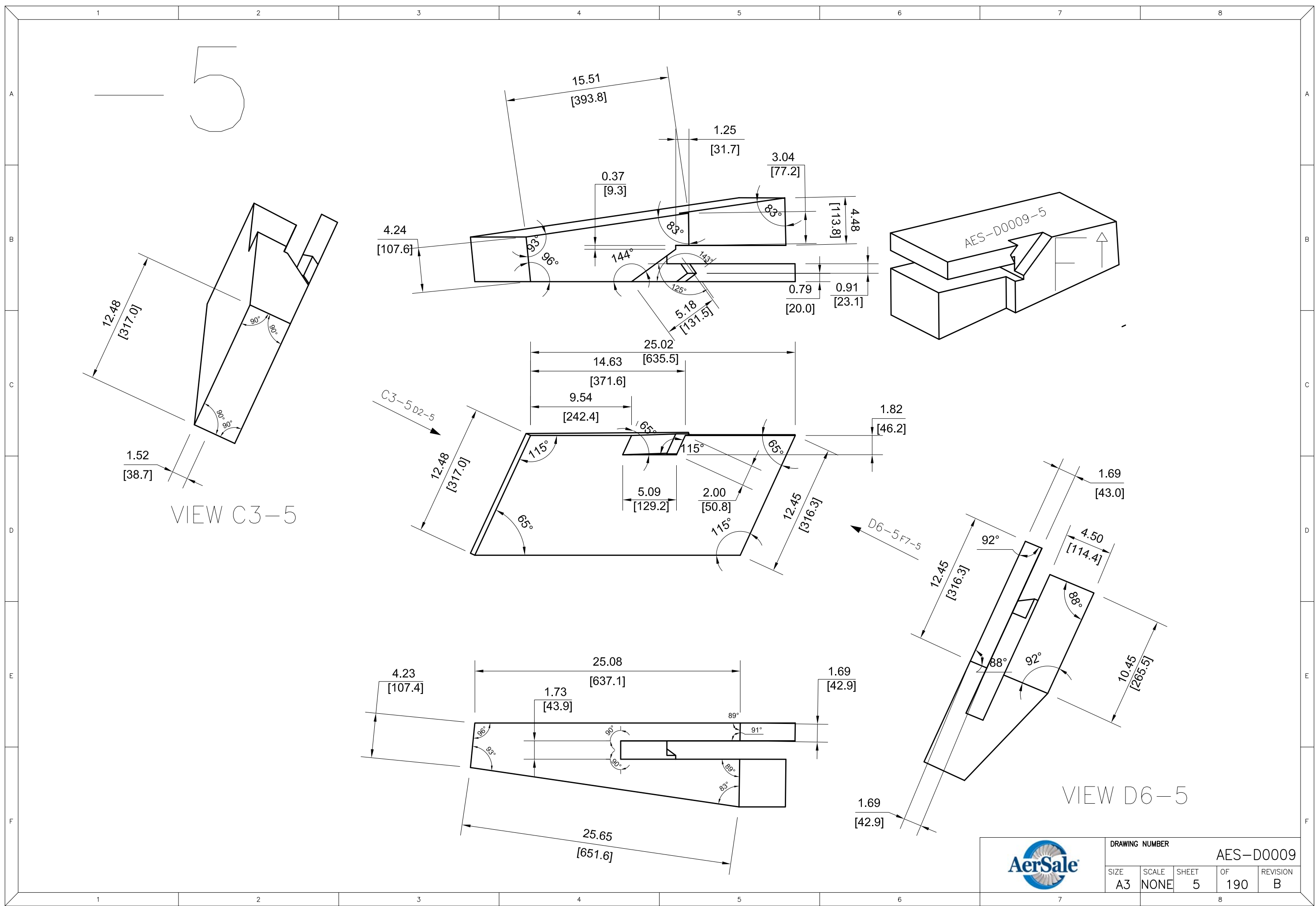
SECTION VIEW C5-4



VIEW D6-4



DRAWING NUMBER					AES-D0009	
SIZE	SCALE	SHEET	OF	REVISION		
A3	NONE	4	190	B		

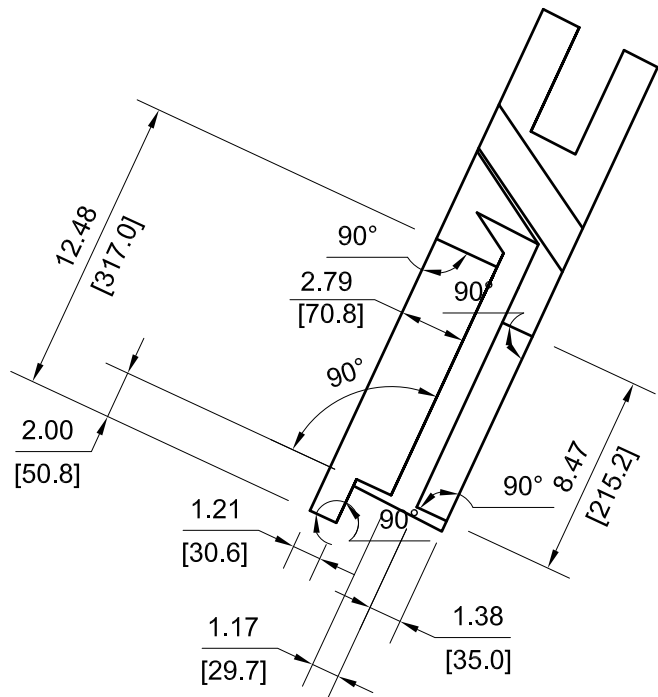


VIEW C3-5

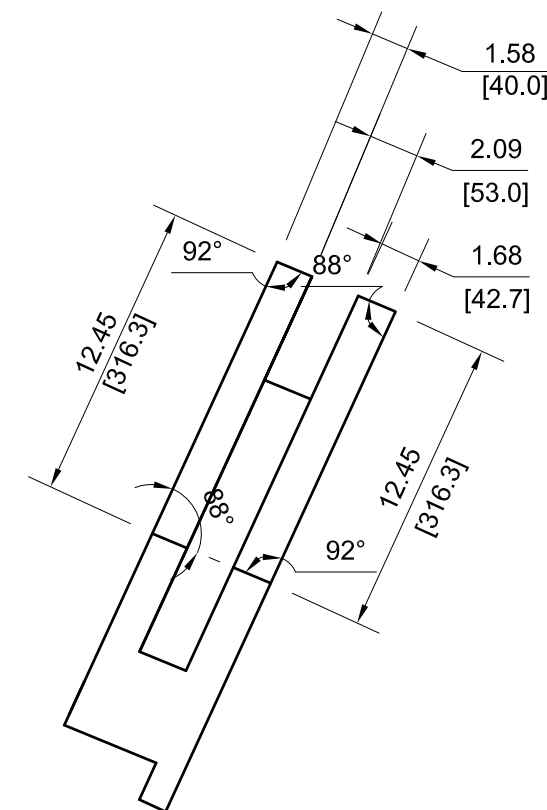
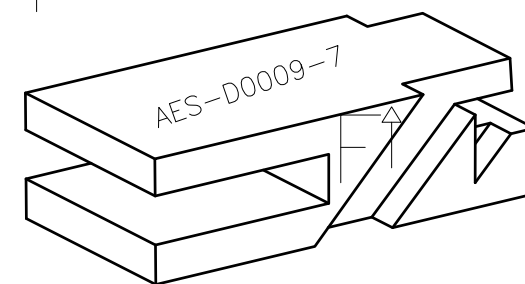
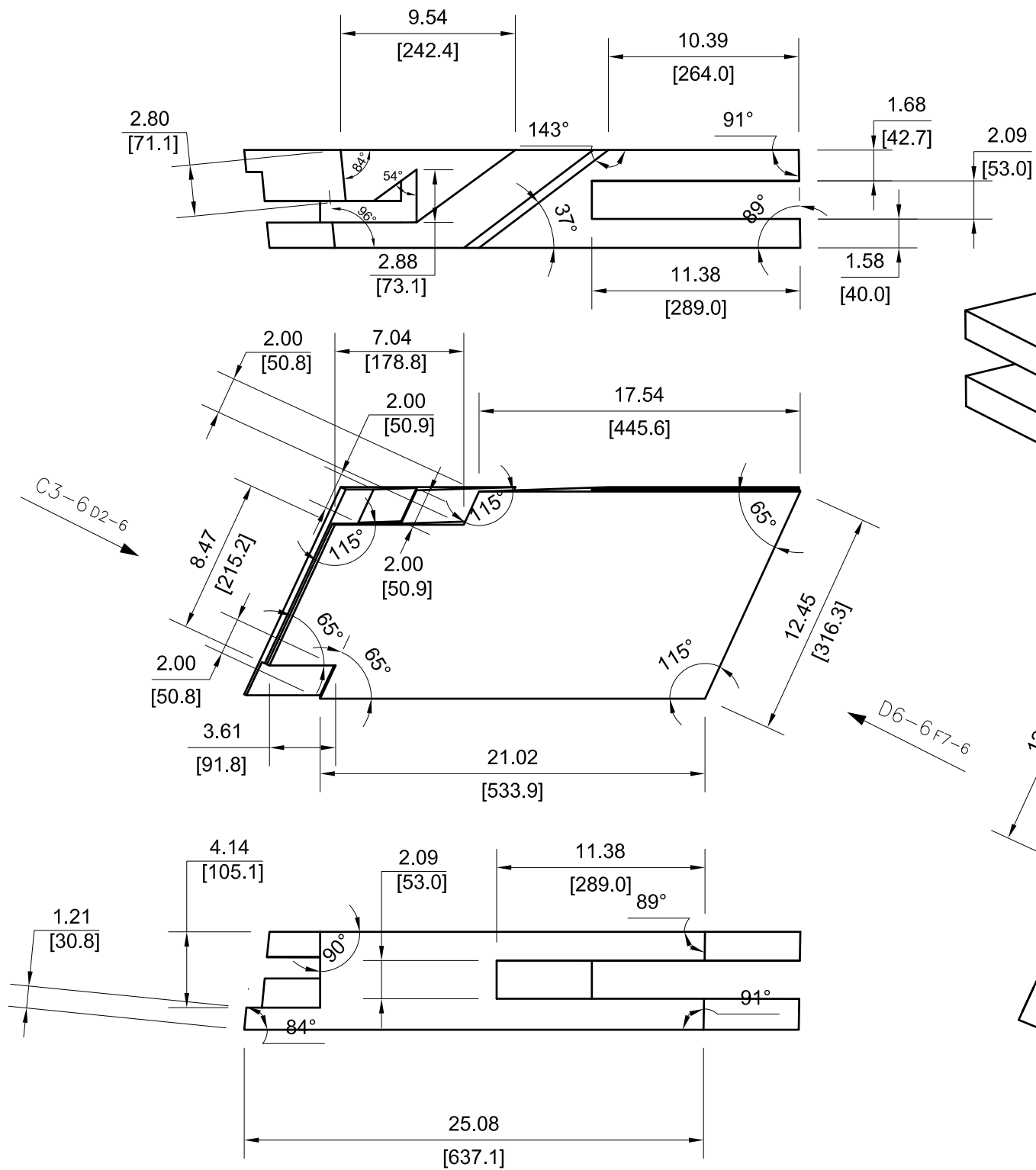
VIEW D6-5



DRAWING NUMBER					AES-D0009	
SIZE	SCALE	SHEET	OF	REVISION		
A3	NONE	5	190	B		



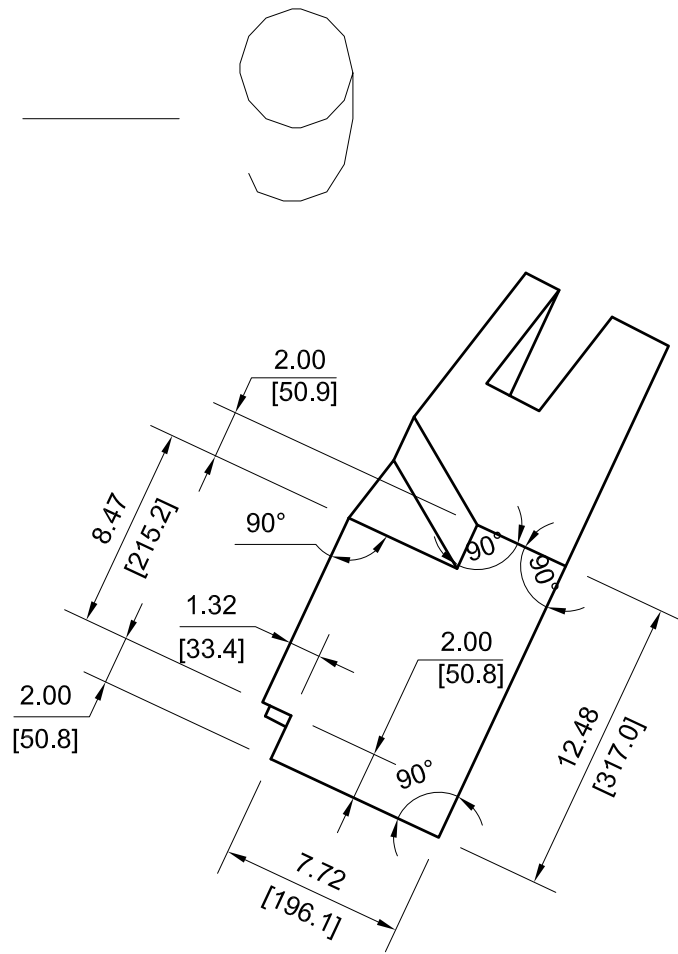
VIEW C3-6



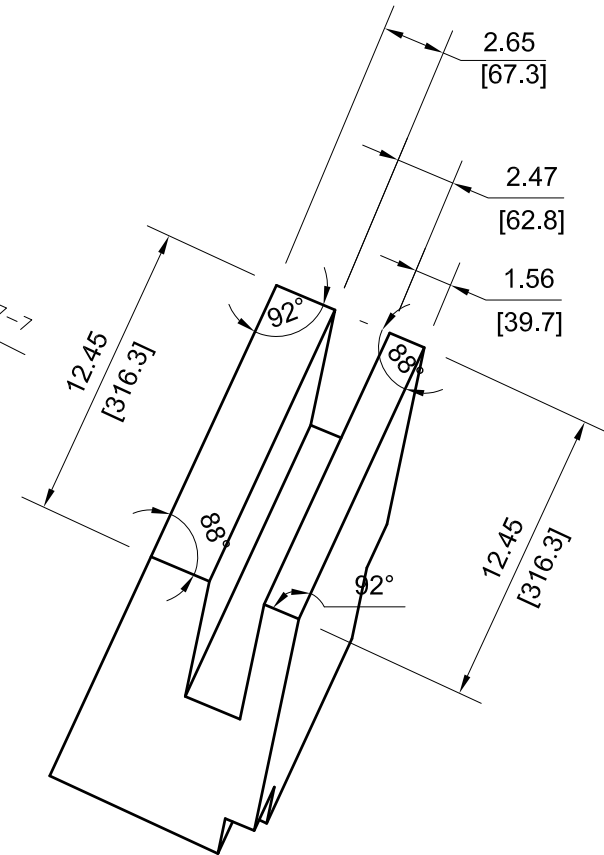
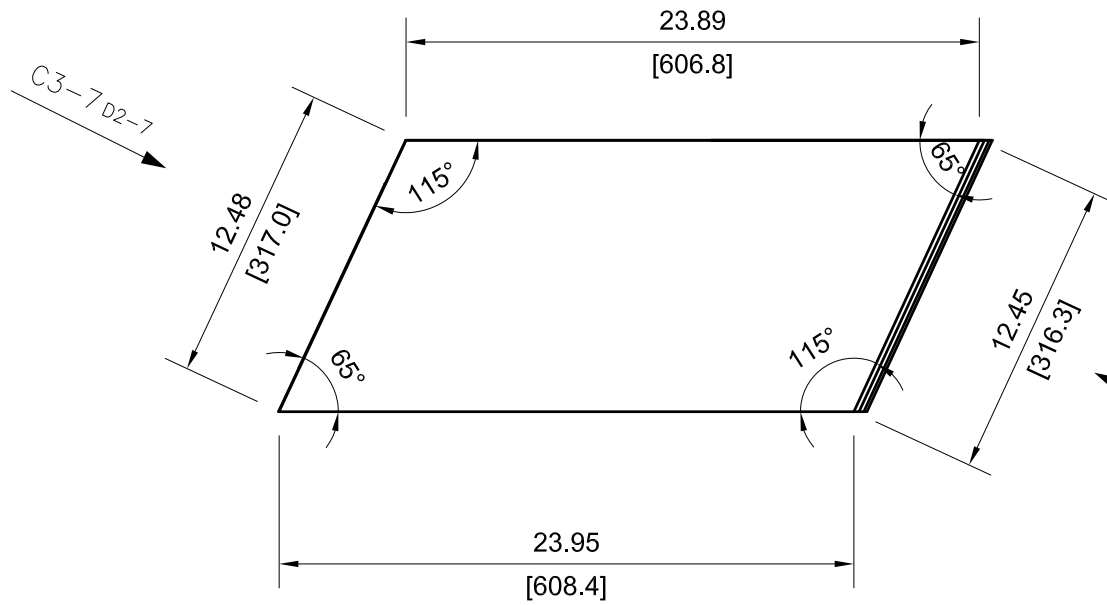
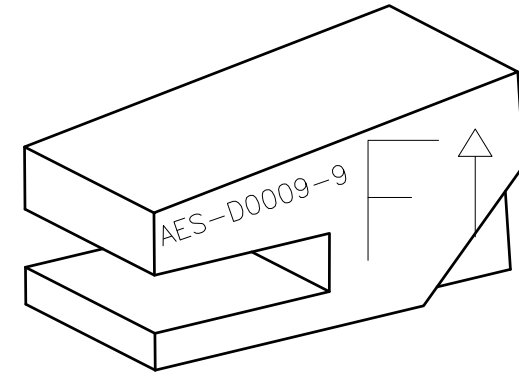
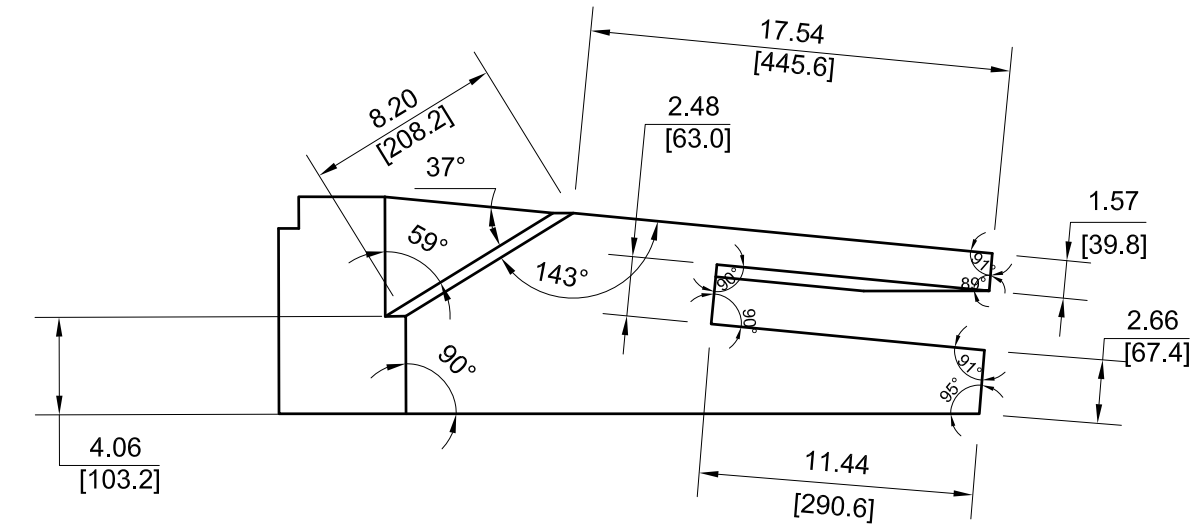
VIEW D6-6



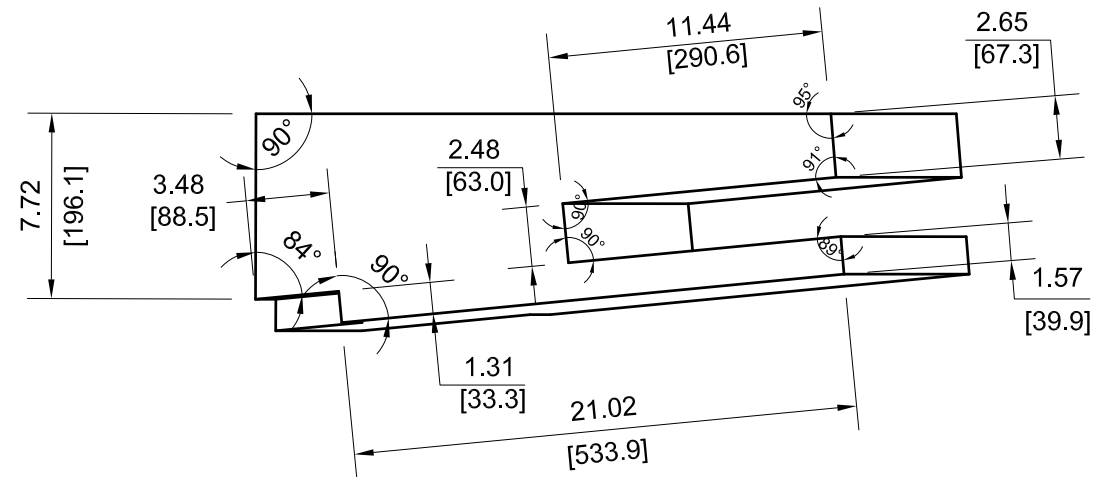
DRAWING NUMBER					AES-D0009	
SIZE	SCALE	SHEET	OF	REVISION		
A3	NONE	6	190	B		



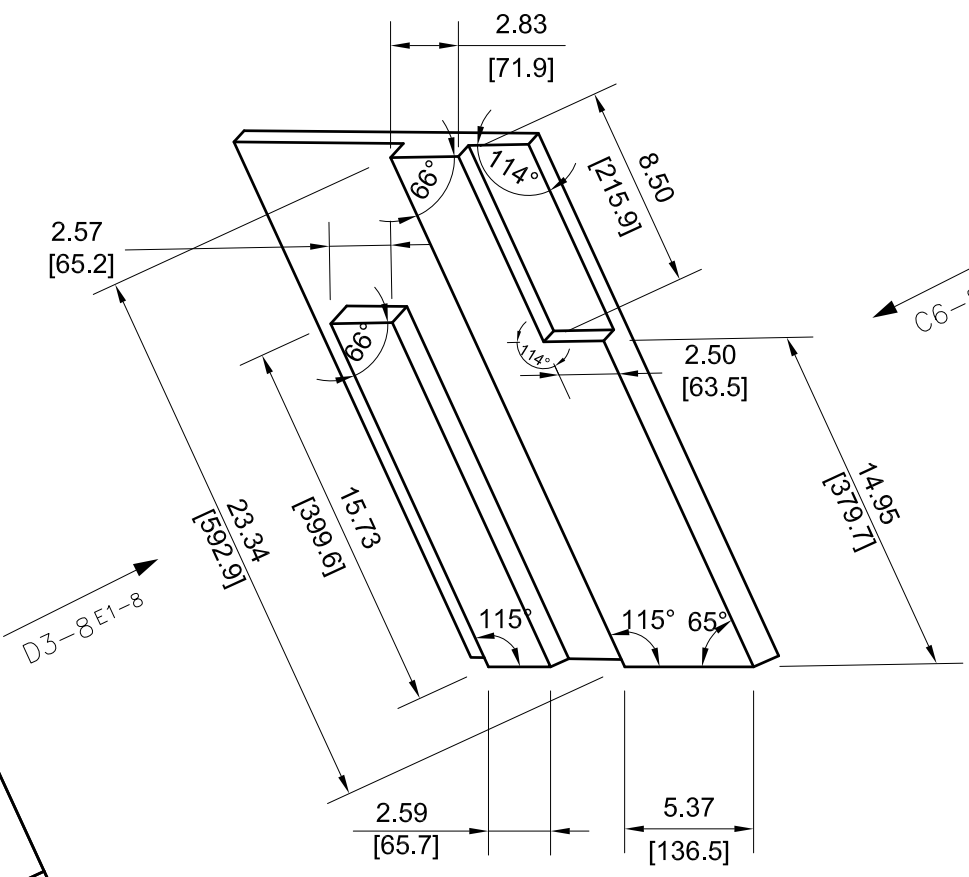
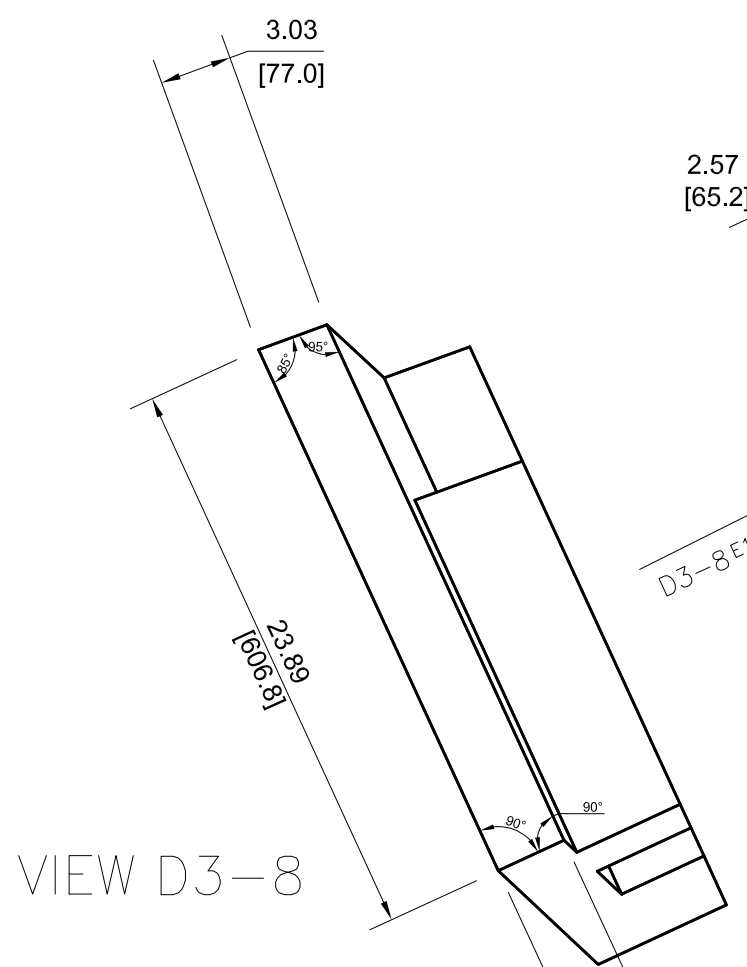
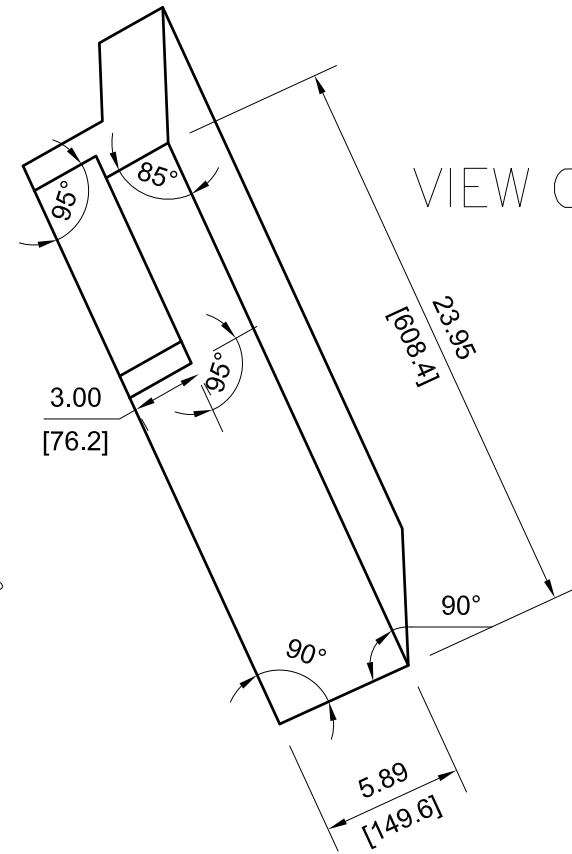
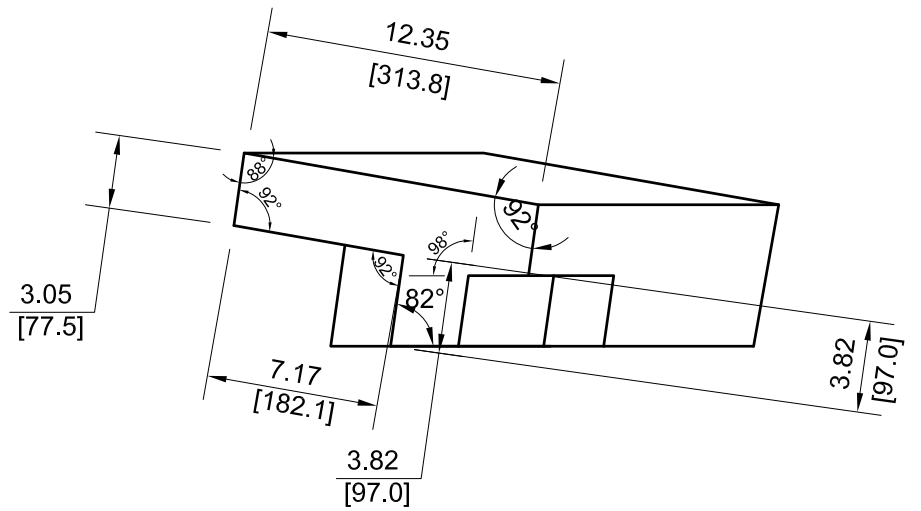
VIEW C3-7



VIEW D6-7

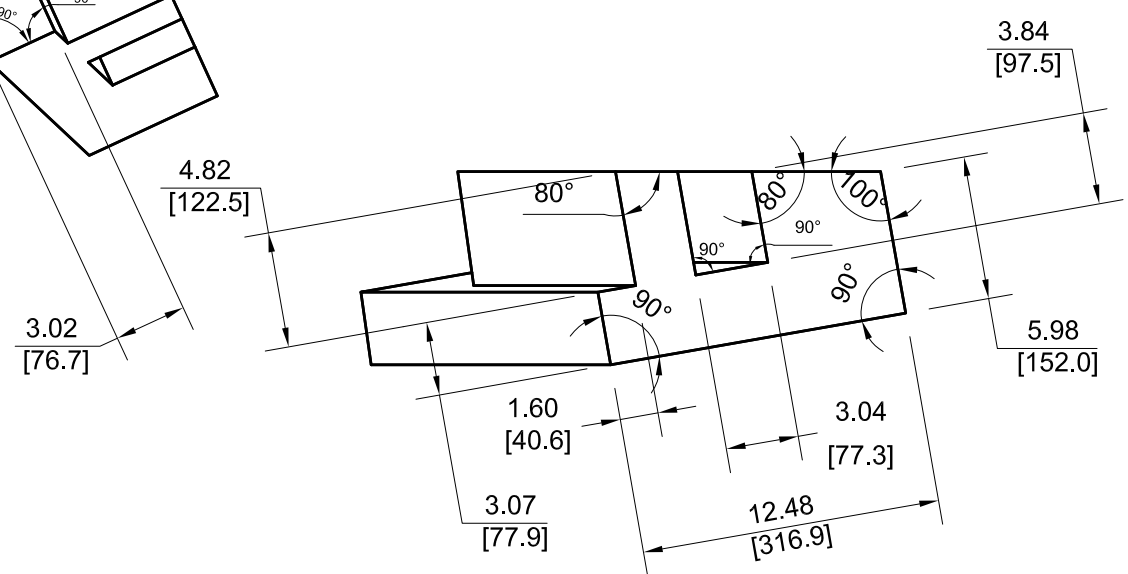
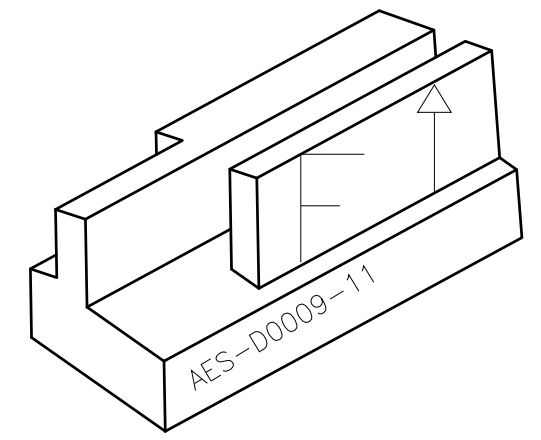


DRAWING NUMBER					AES-D0009	
SIZE	SCALE	SHEET	OF	REVISION		
A3	NONE	7	190	B		



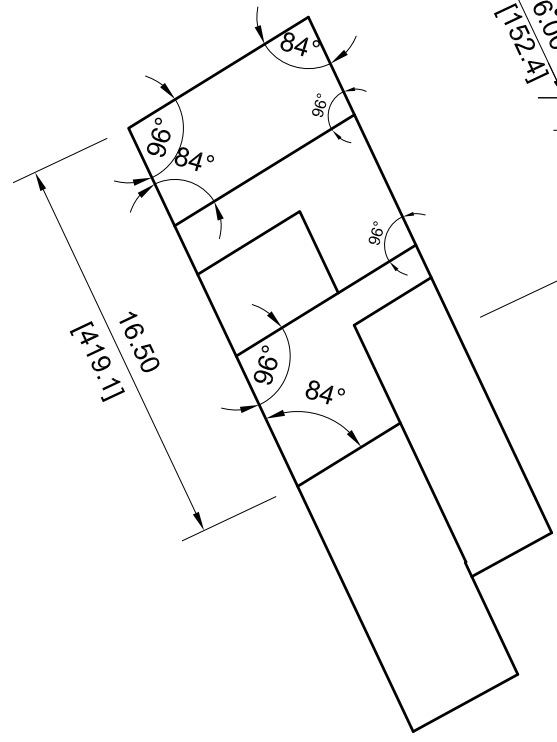
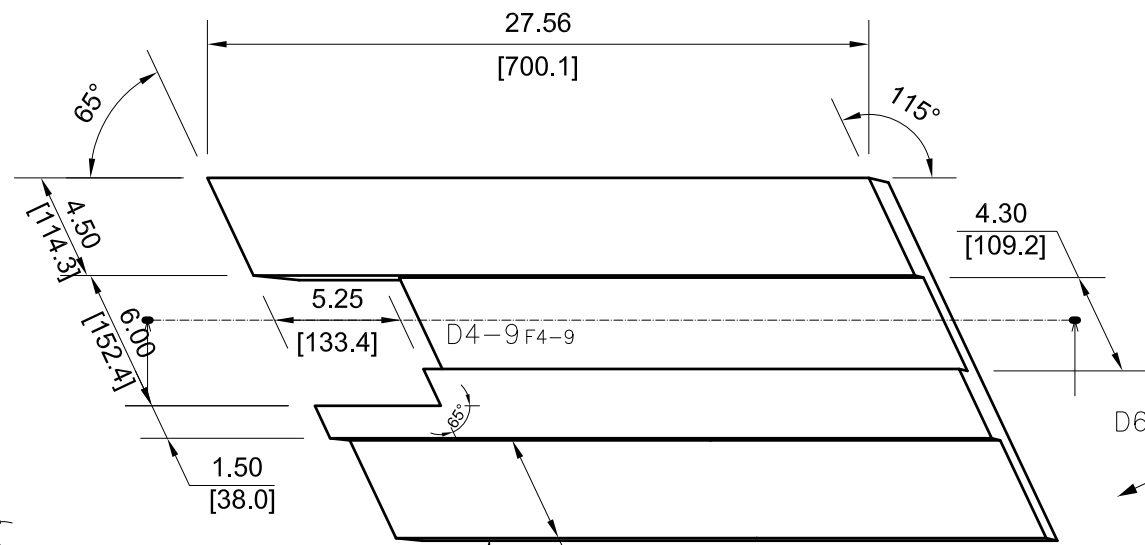
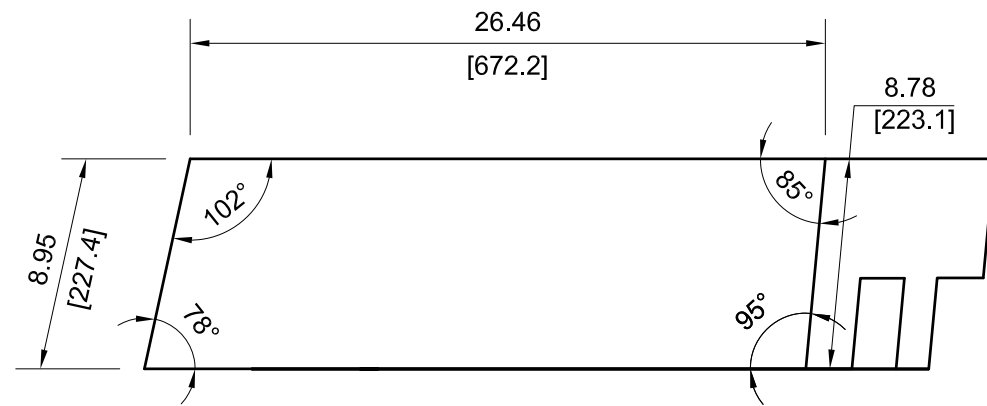
C6-8 B7-8

D3-8 E1-8

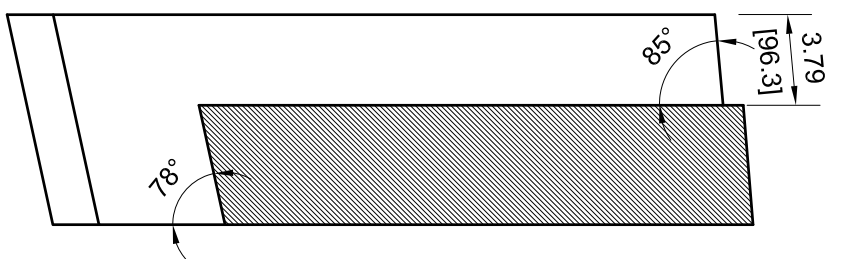
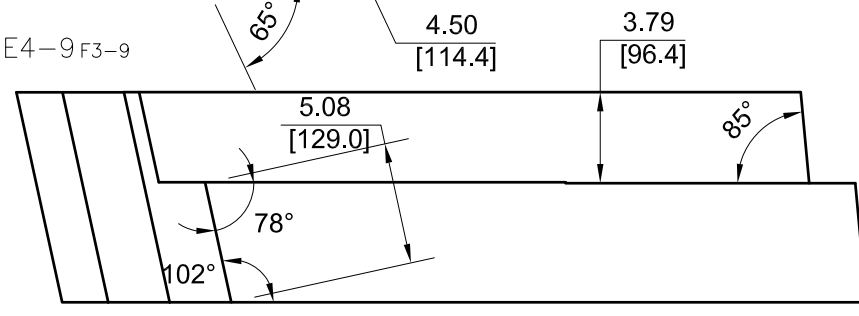


DRAWING NUMBER				
AES-D0009				
SIZE	SCALE	SHEET	OF	REVISION
A3	NONE	8	190	B

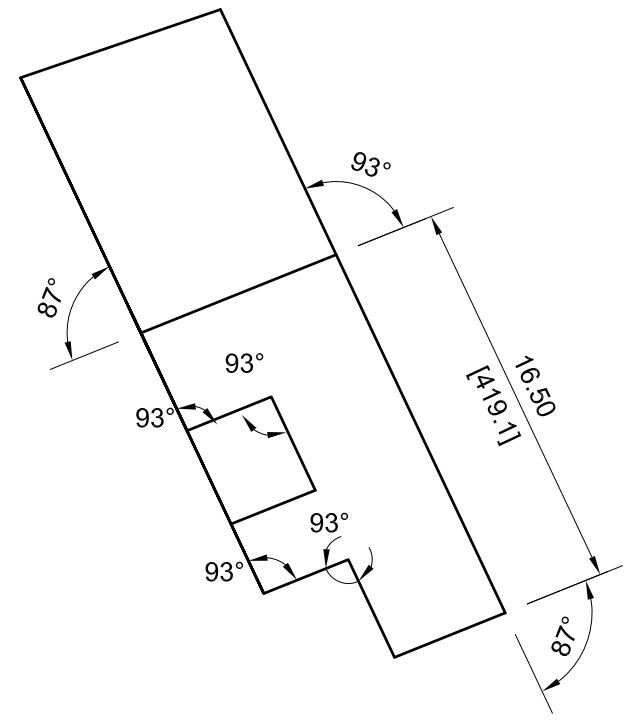
— 13



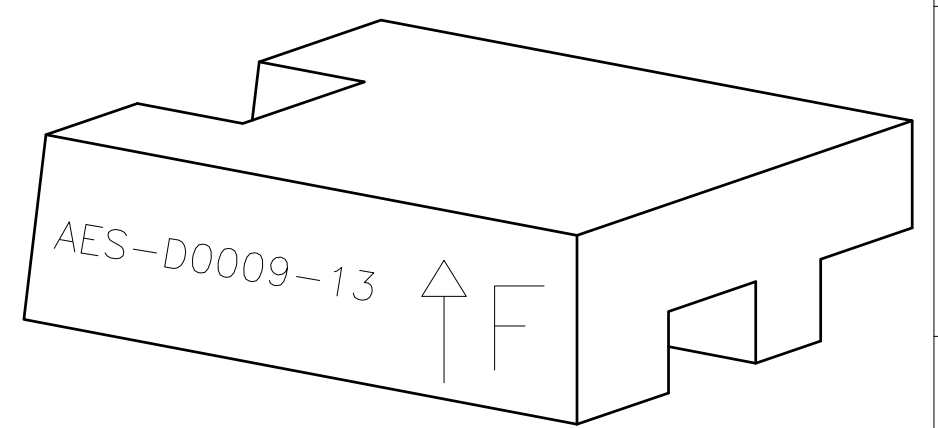
VIEW E4-9



SECTION VIEW D4-9

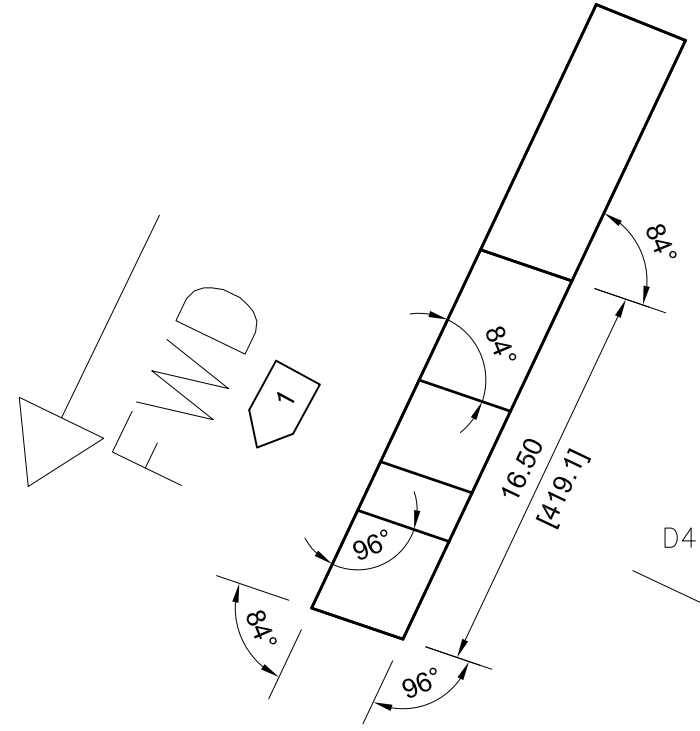
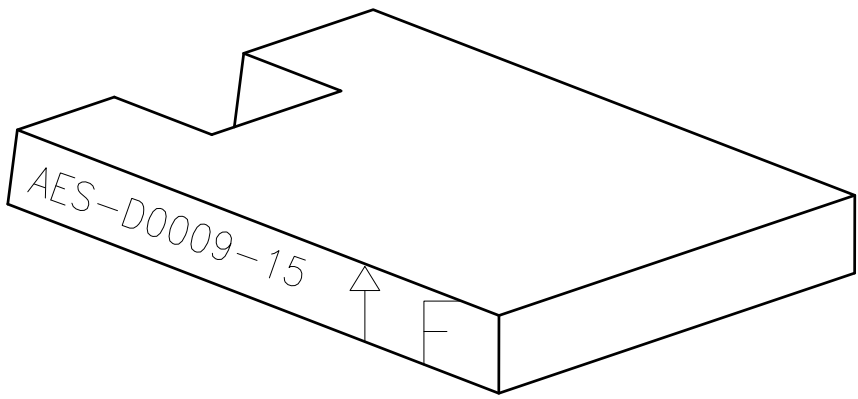


VIEW D6-9

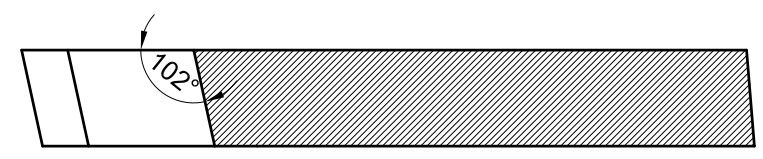


DRAWING NUMBER				
AES-D0009				
SIZE	SCALE	SHEET	OF	REVISION
A3	NONE	9	190	B

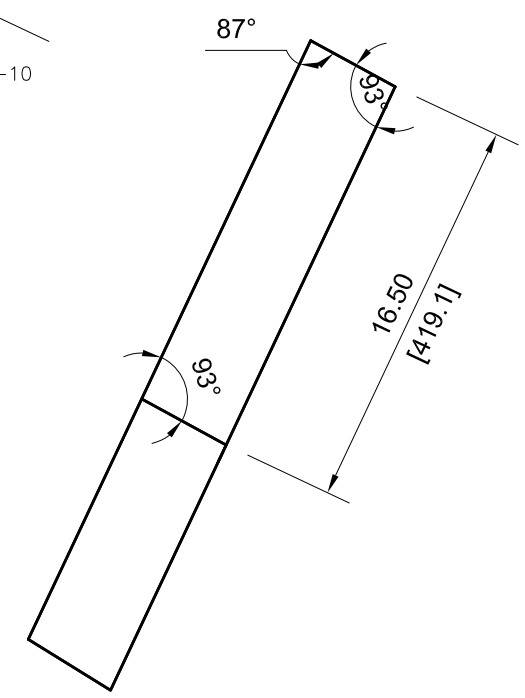
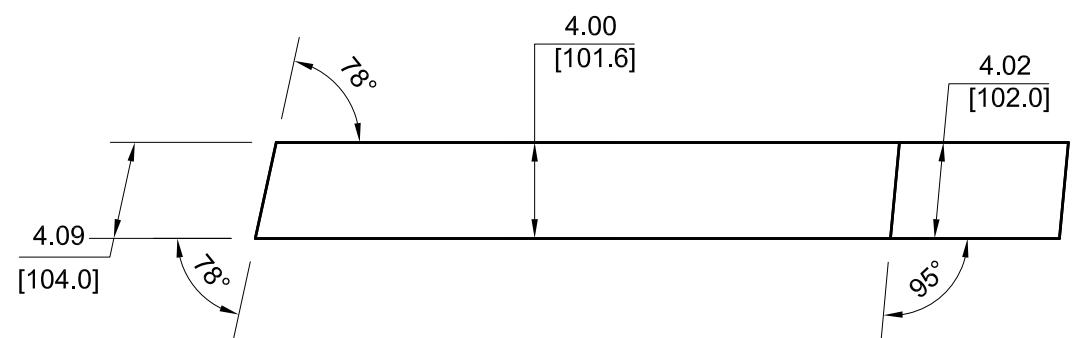
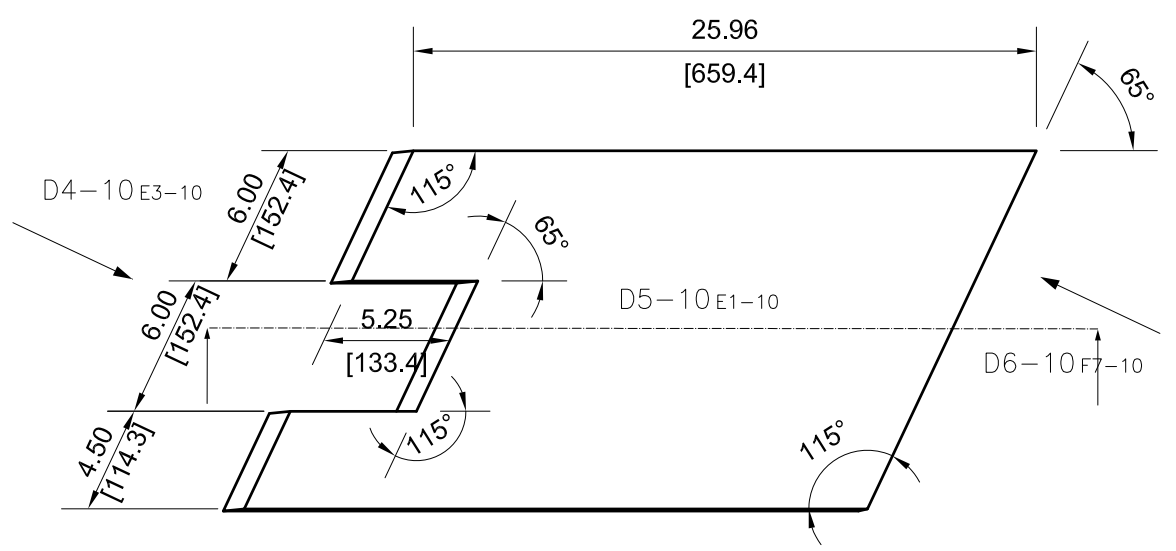
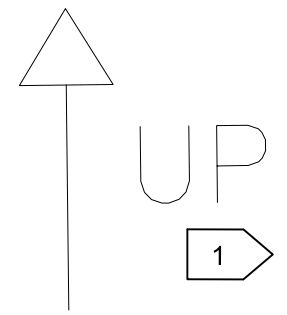
15



VIEW D4-10



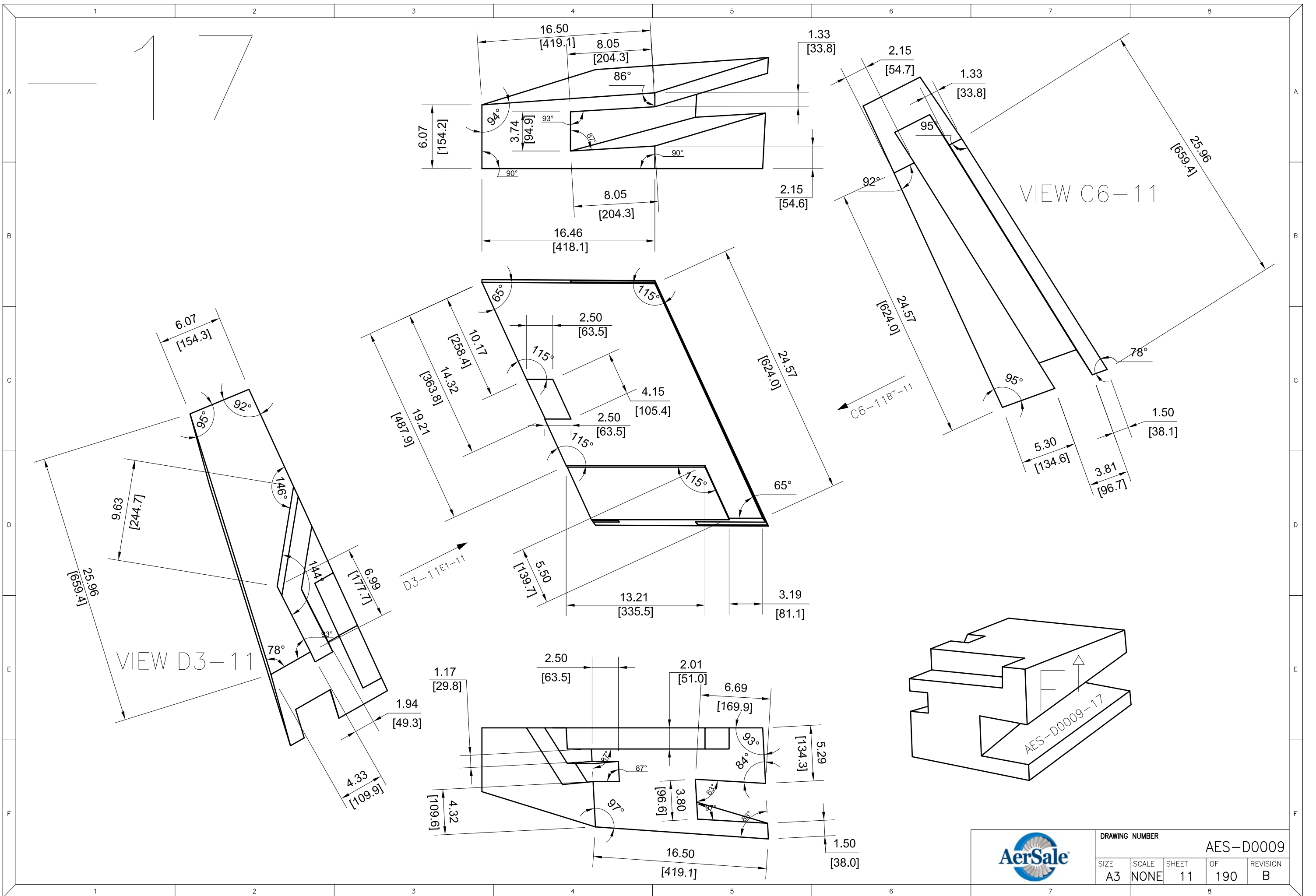
SECTION VIEW
D5-10




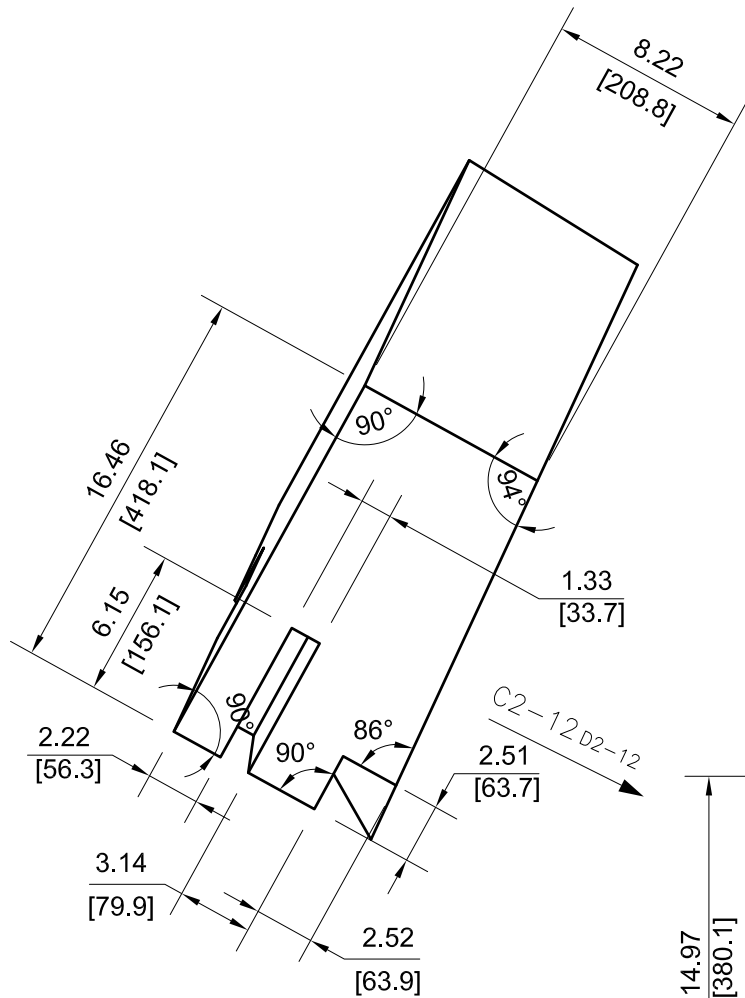
VIEW D6-10



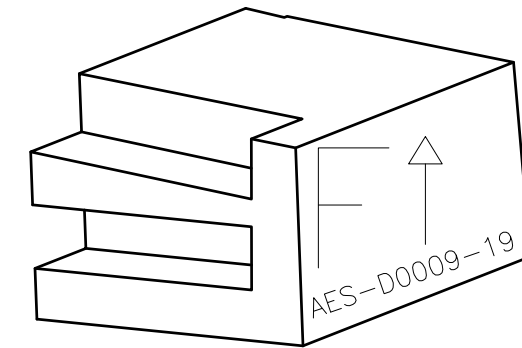
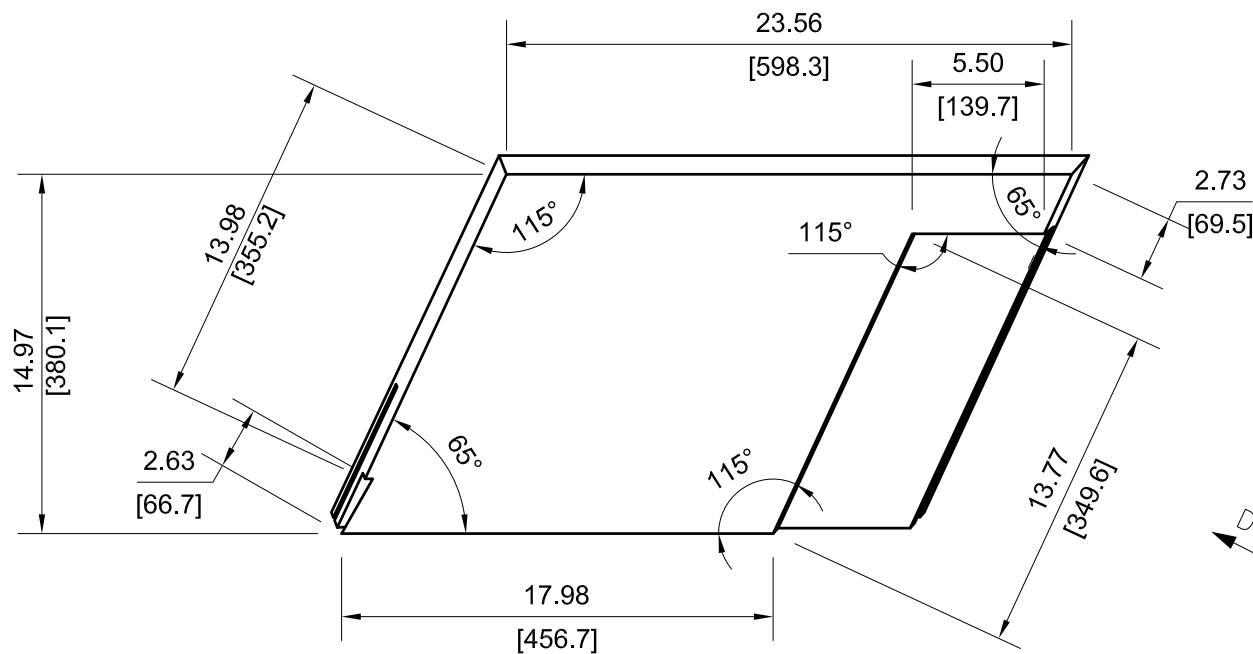
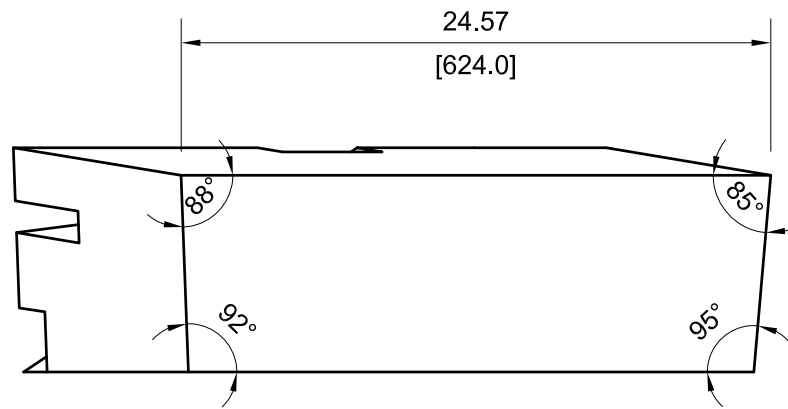
DRAWING NUMBER				
AES-D0009				
SIZE	SCALE	SHEET	OF	REVISION
A3	NONE	10	190	B



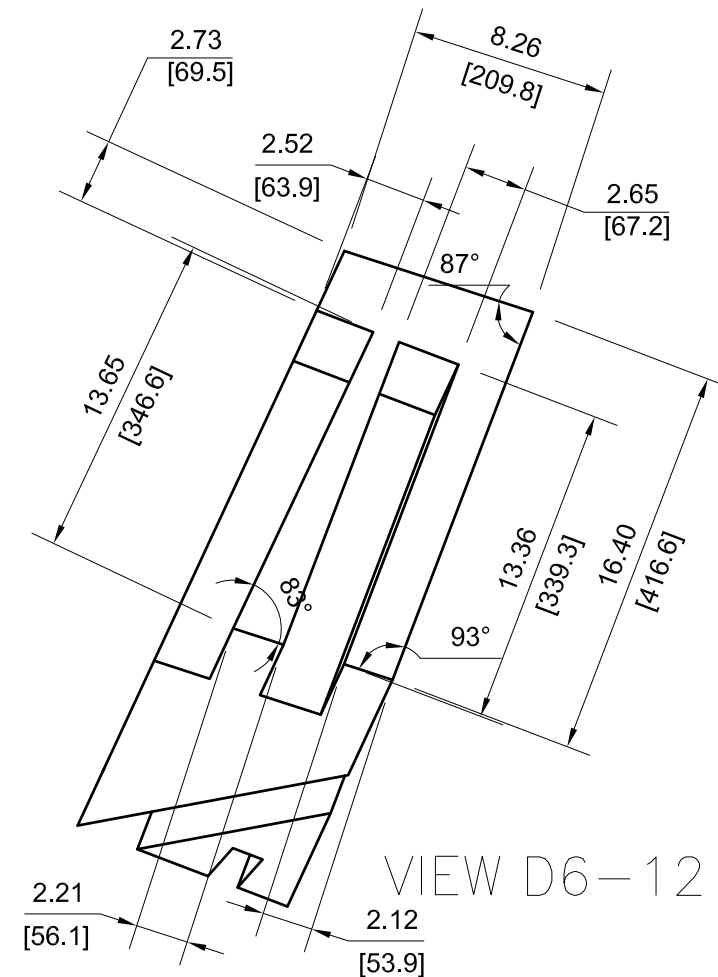
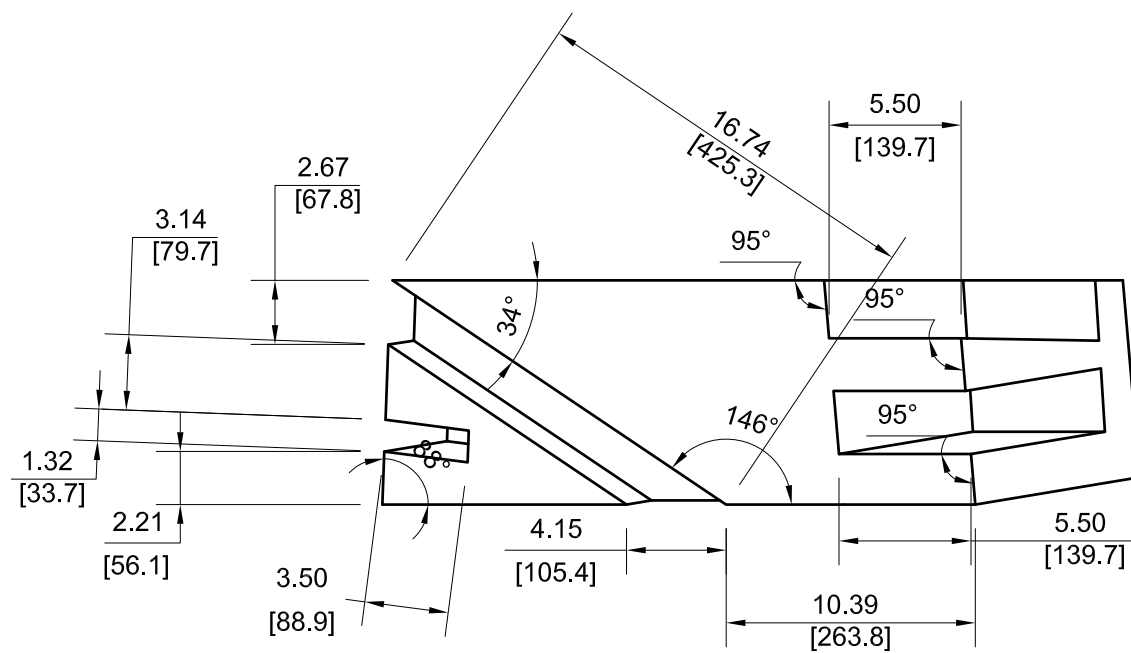
	DRAWING NUMBER				
	AES-D0009				
SIZE	SCALE	SHEET	OF	REVISION	
A3	NONE	11	190	B	



VIEW C2-12



D6-12 F8-12



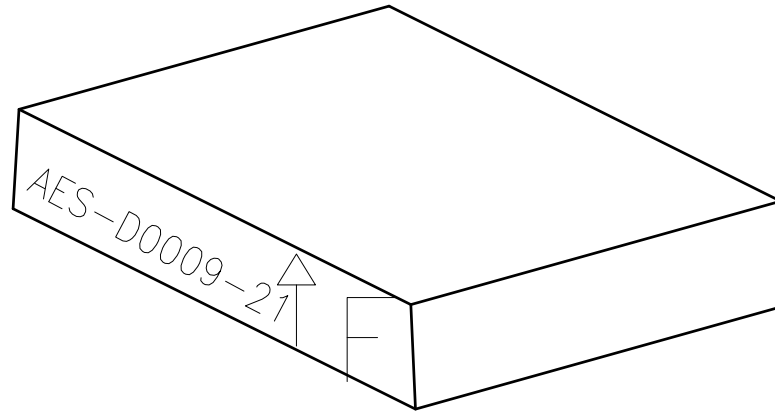
VIEW D6-12

19

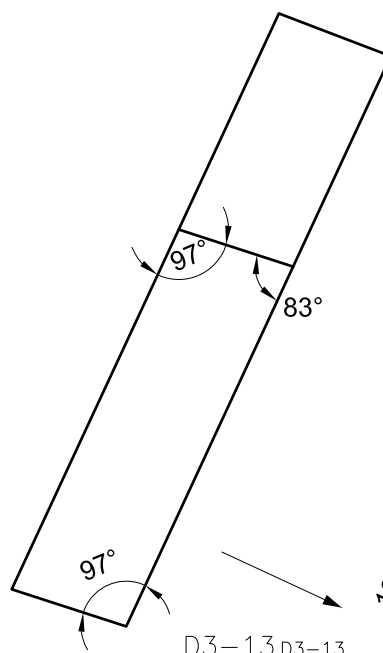
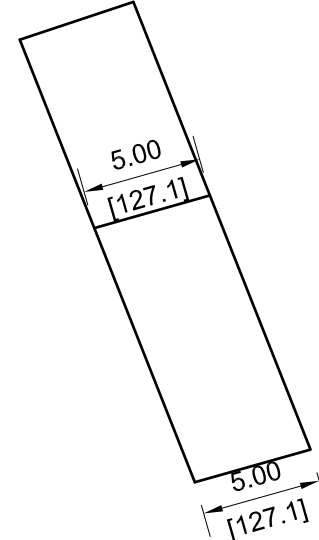


DRAWING NUMBER					AES-D0009				
SIZE	SCALE	SHEET	OF	REVISION					
A3	NONE	12	190	B					

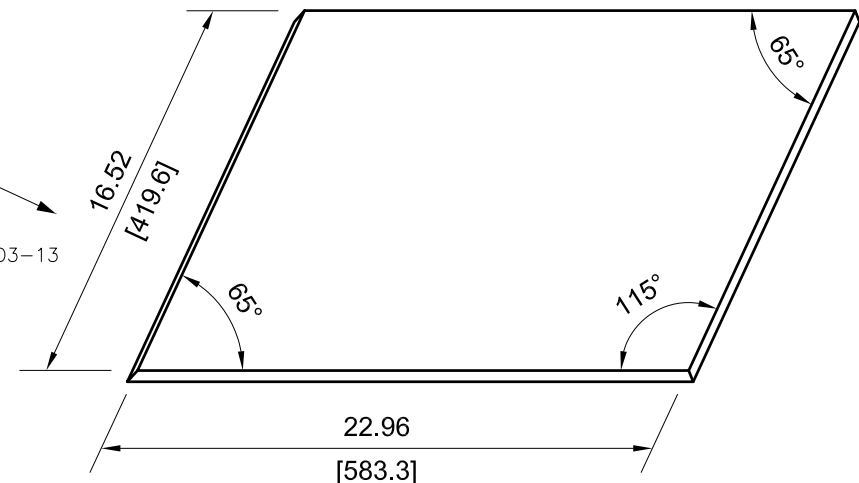
- 21



VIEW C6-13

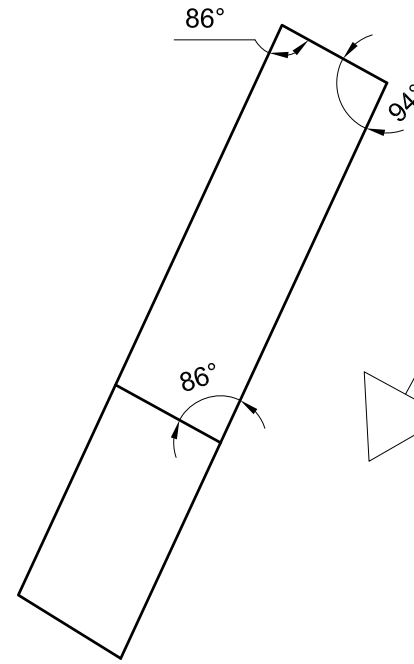


VIEW D3-13

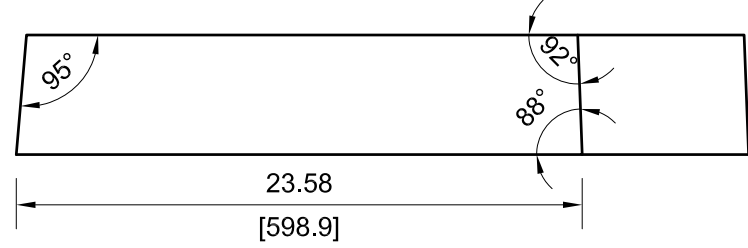
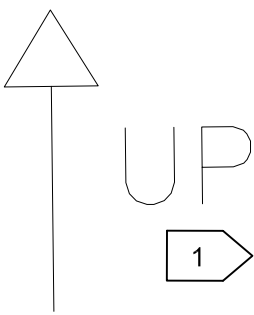


C6-13 B7-13

D6-13 F7-13



VIEW D6-13

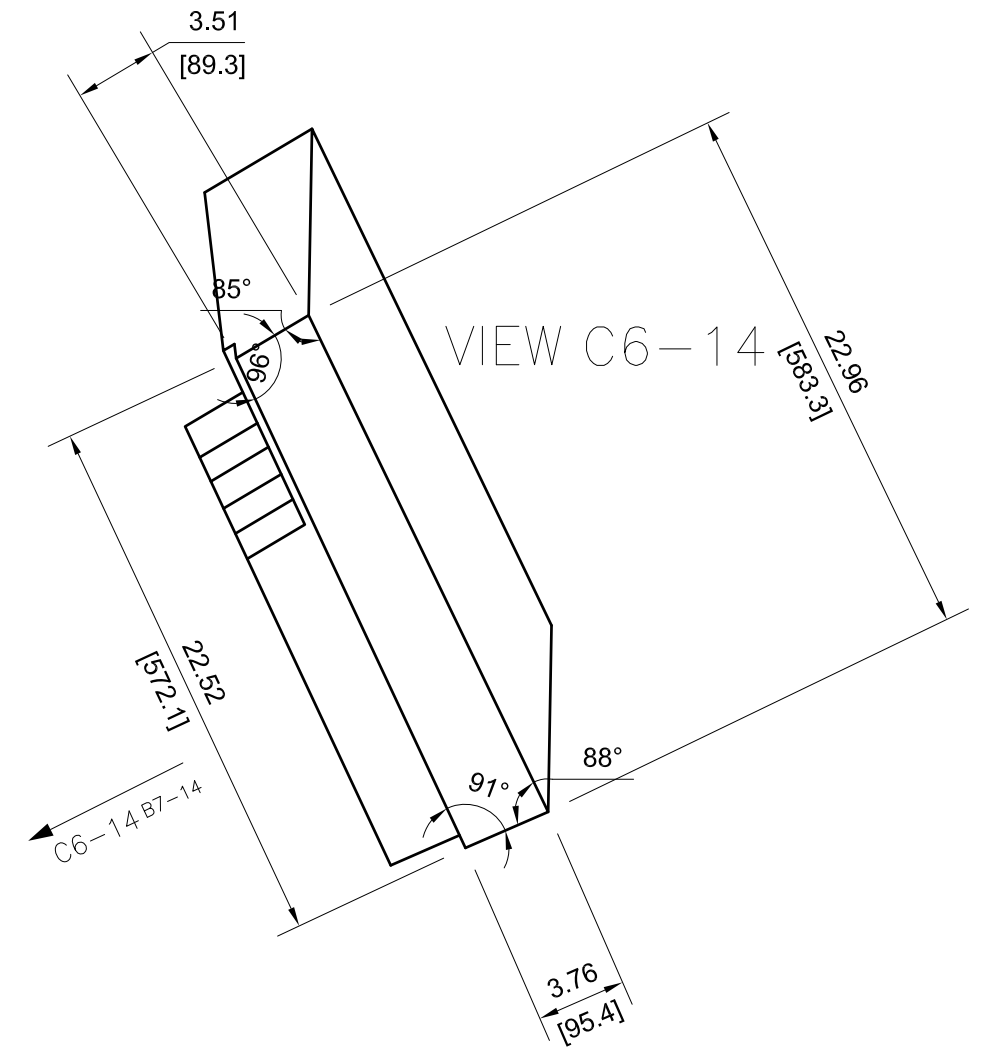
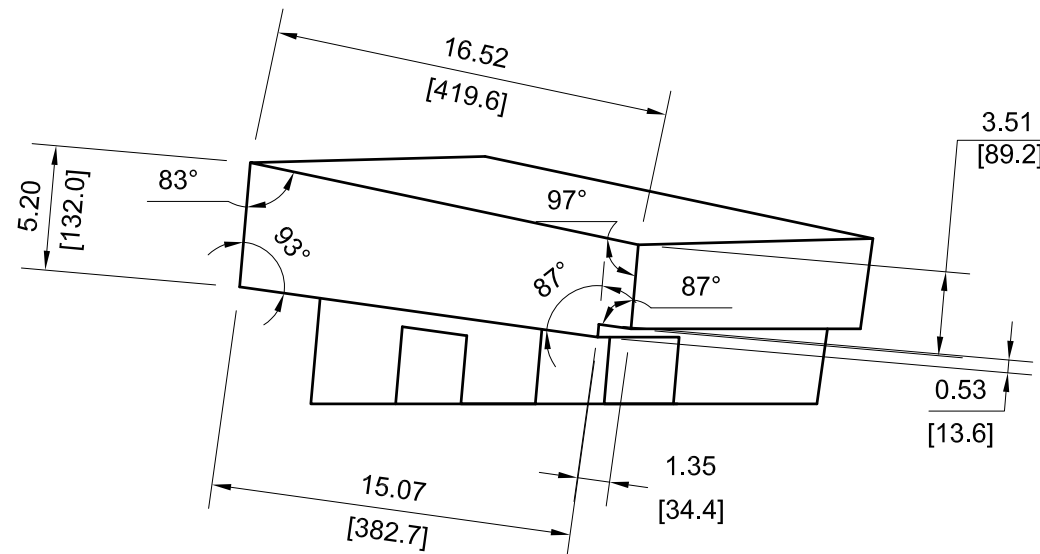


END

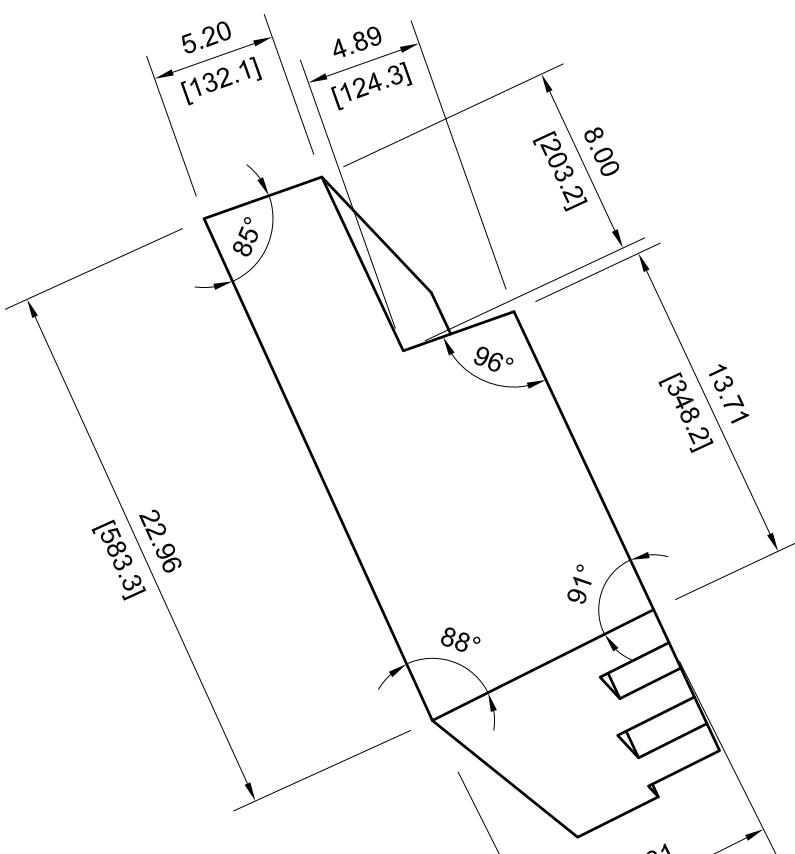


DRAWING NUMBER					AES-D0009				
SIZE	SCALE	SHEET	OF	REVISION					
A3	NONE	13	190	B					

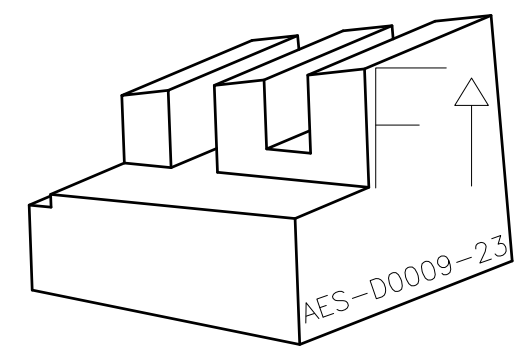
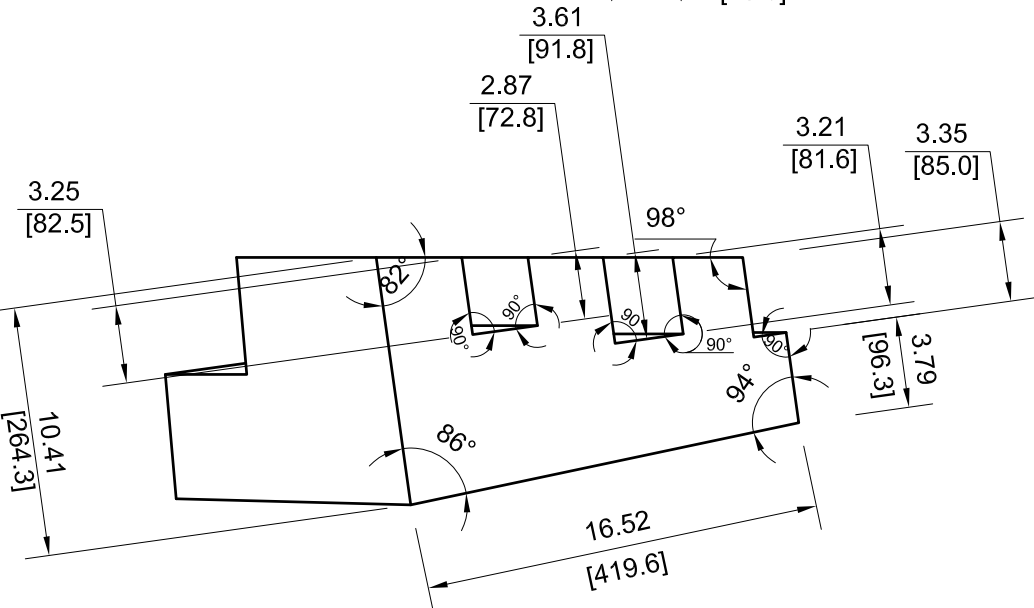
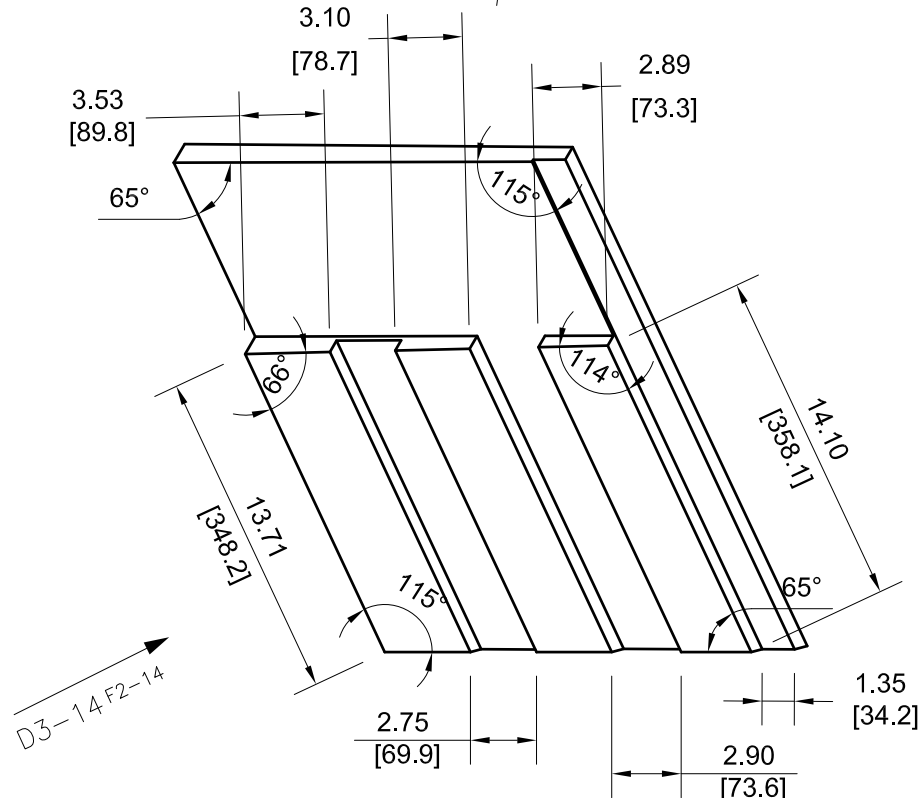
23



VIEW C6-14

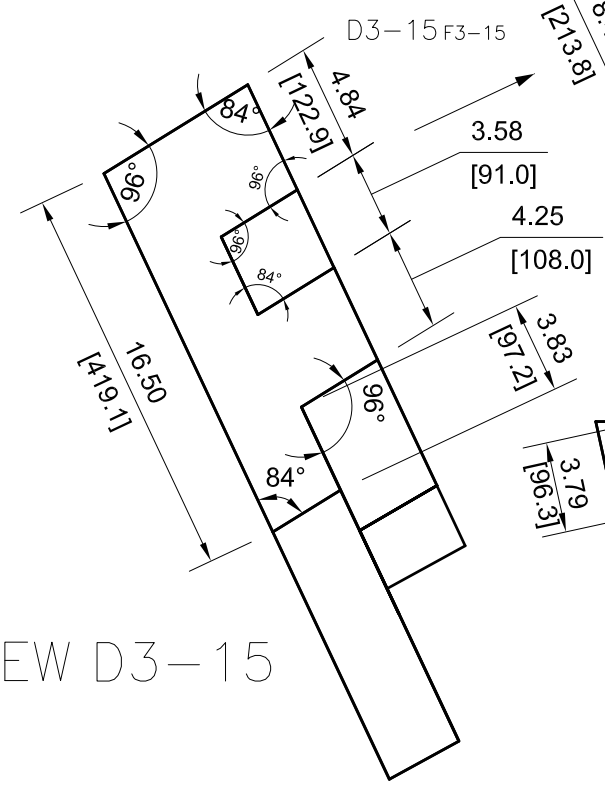
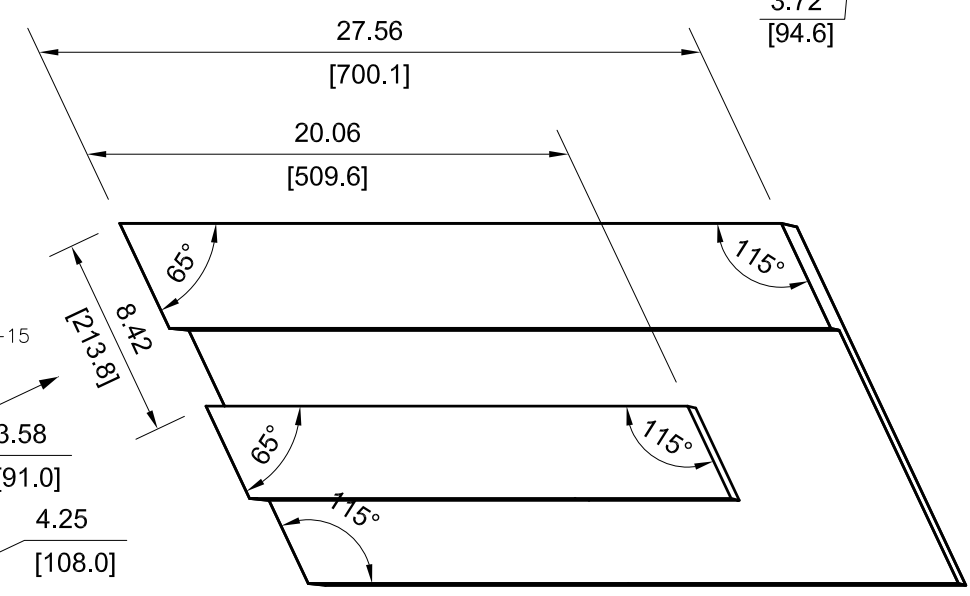
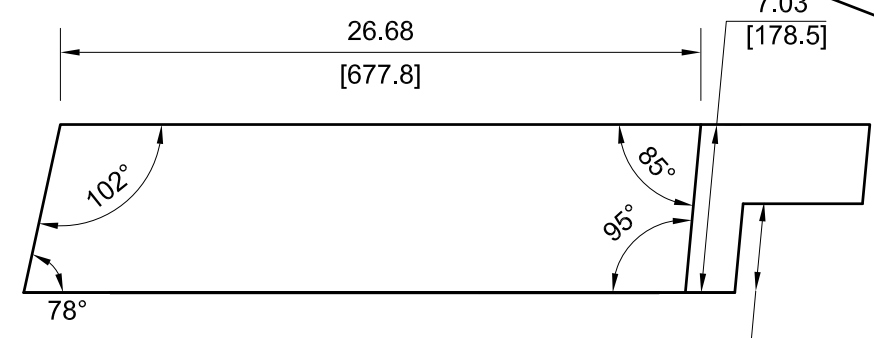
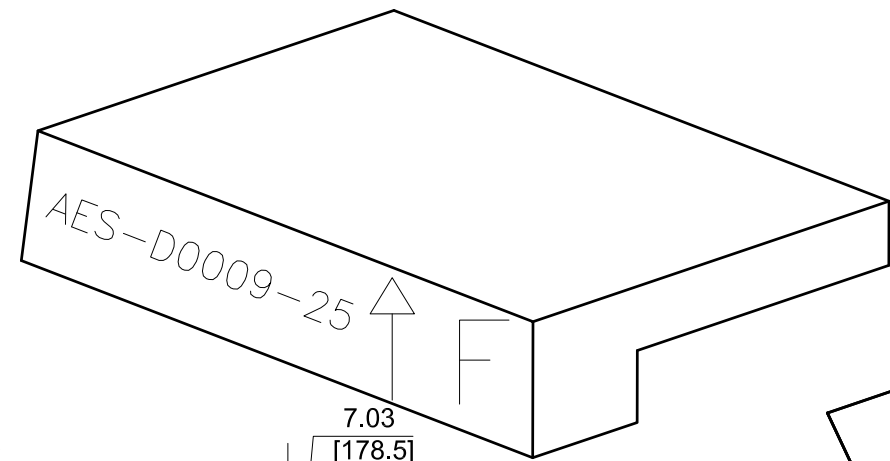


VIEW D3-14

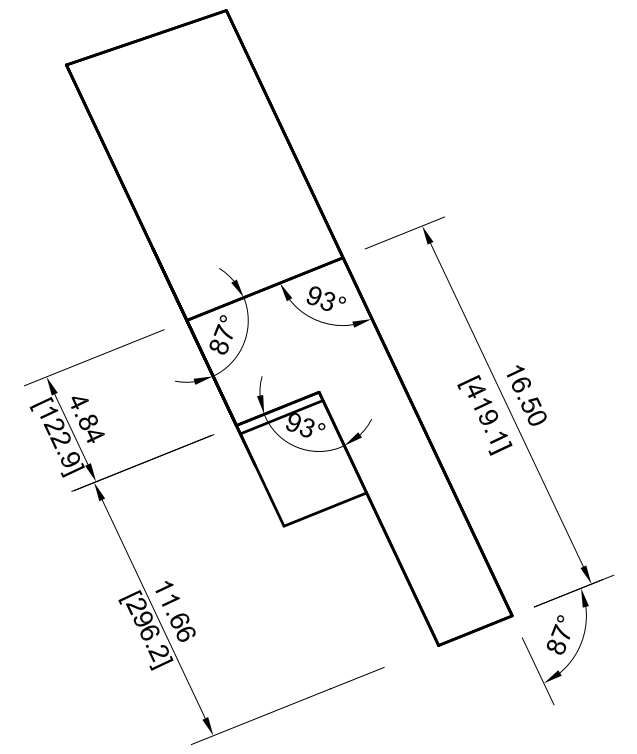
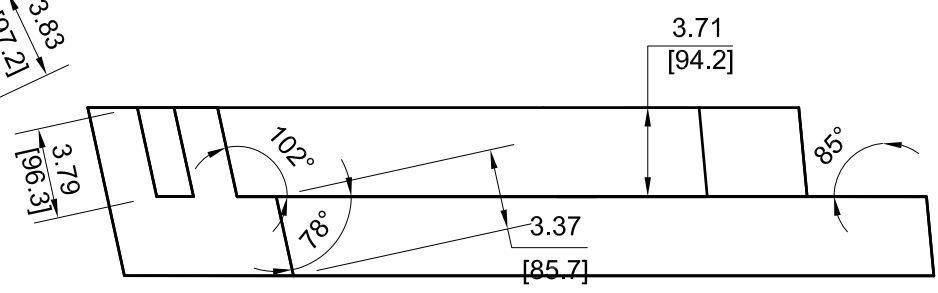


DRAWING NUMBER					AES-D0009	
SIZE	SCALE	SHEET	OF	REVISION		
A3	NONE	14	190	B		

25



VIEW D3-15



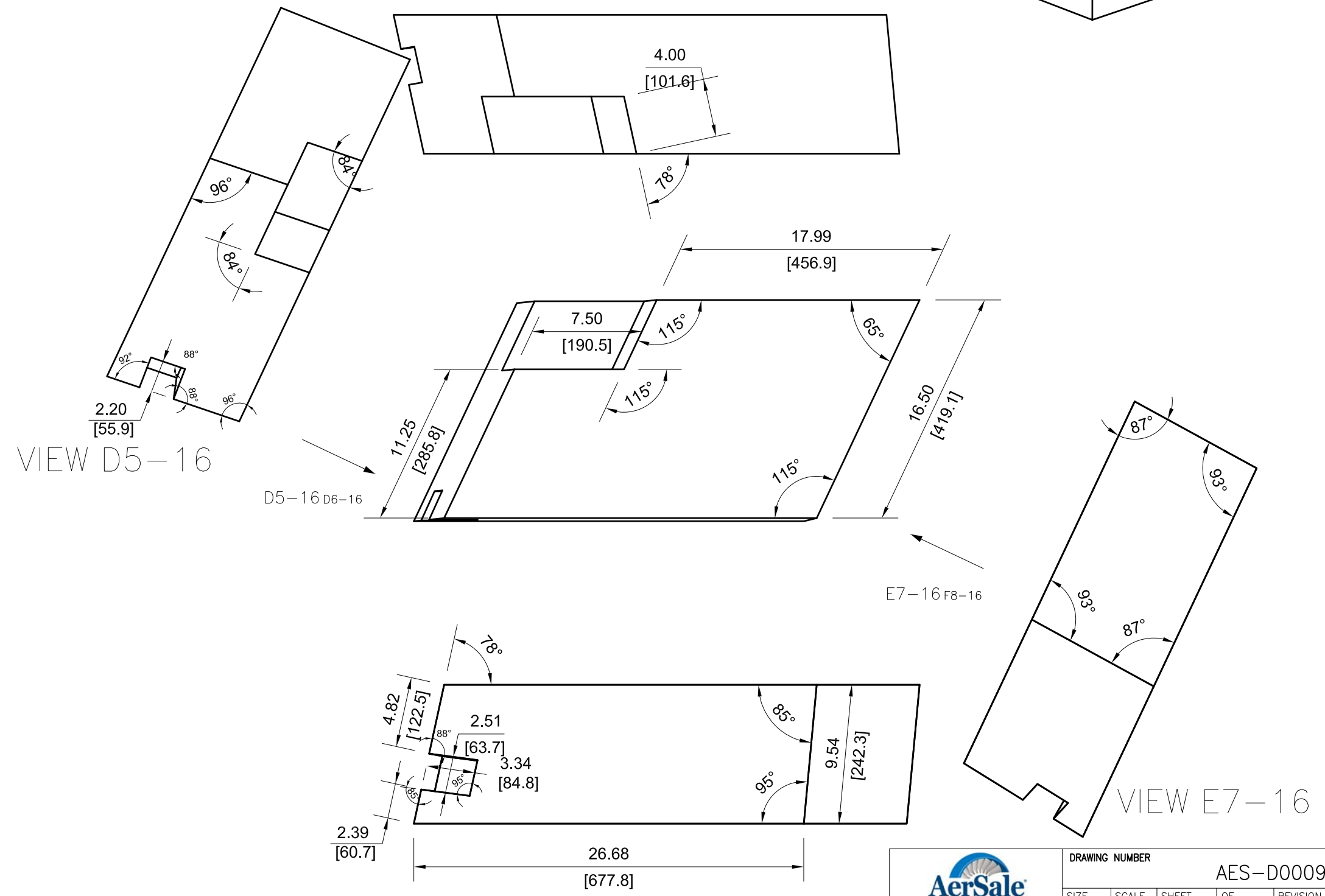
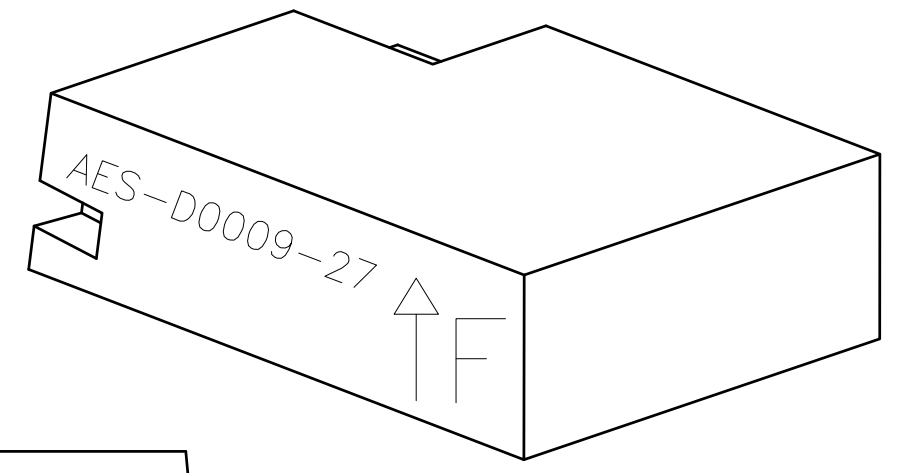
VIEW D6-15

D6-15 D8-15



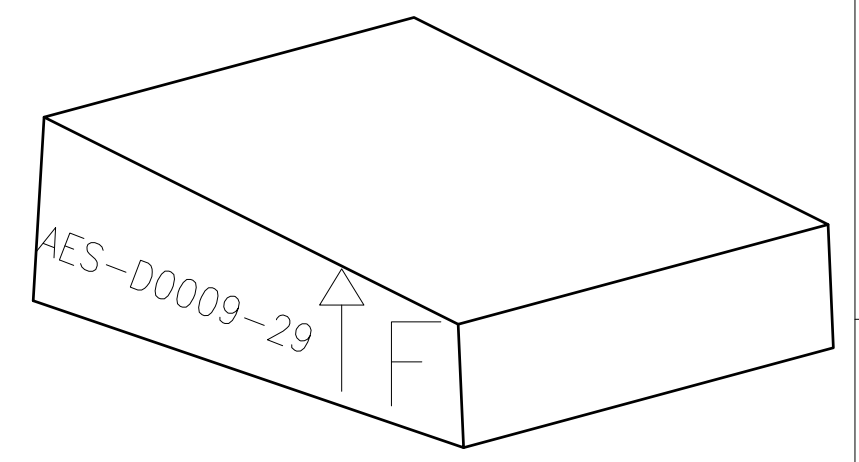
DRAWING NUMBER				
AES-D0009				
SIZE	SCALE	SHEET	OF	REVISION
A3	NONE	15	190	B

- 27

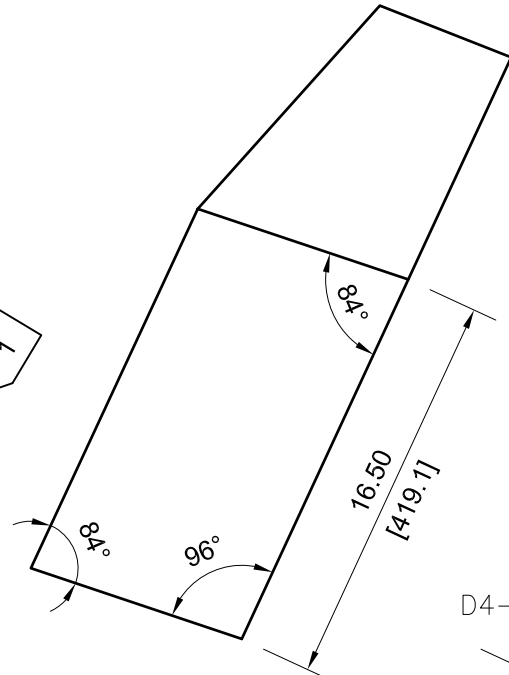


DRAWING NUMBER				
AES-D0009				
SIZE	SCALE	SHEET	OF	REVISION
A3	NONE	16	190	B

- 29

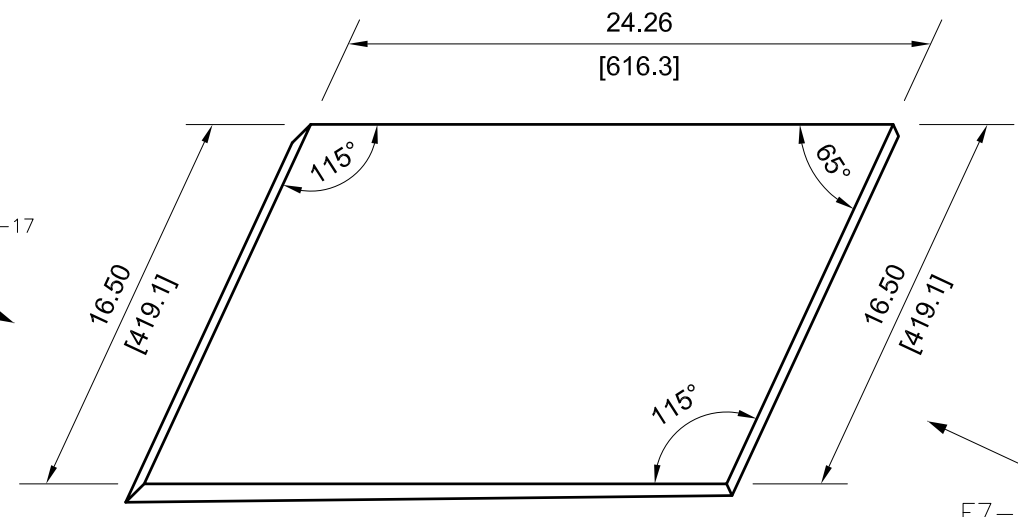
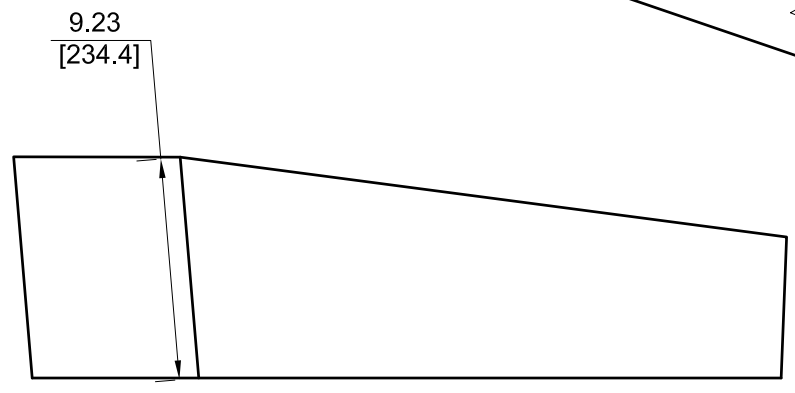


FWD

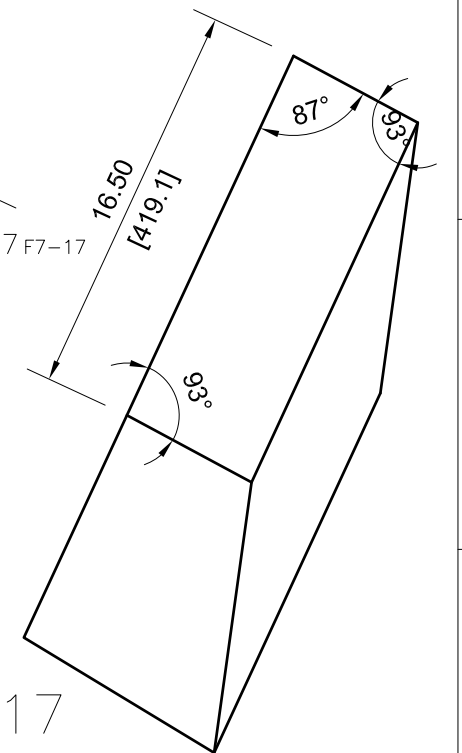


VIEW D4-17

D4-17 D3-17

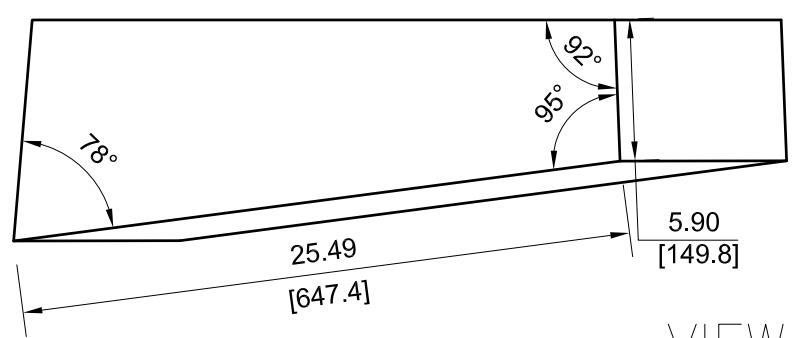


E7-17 F7-17



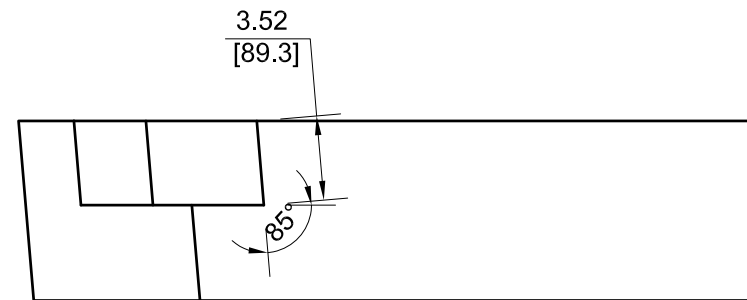
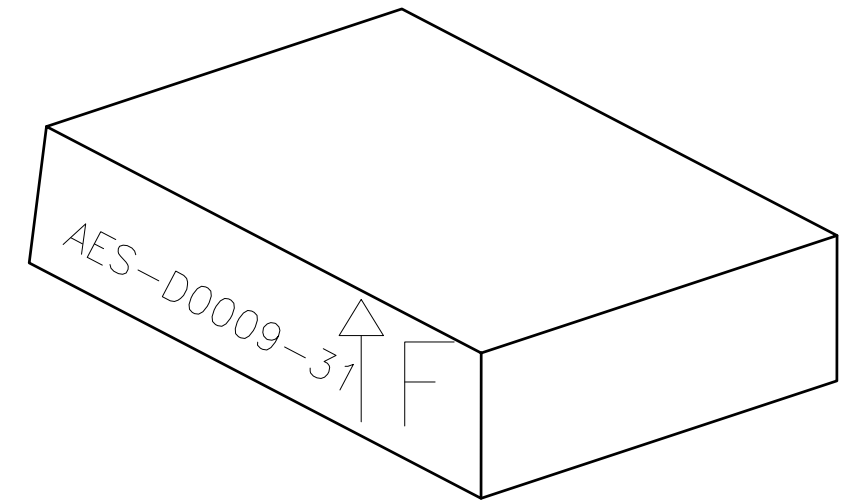
VIEW E7-17

UP

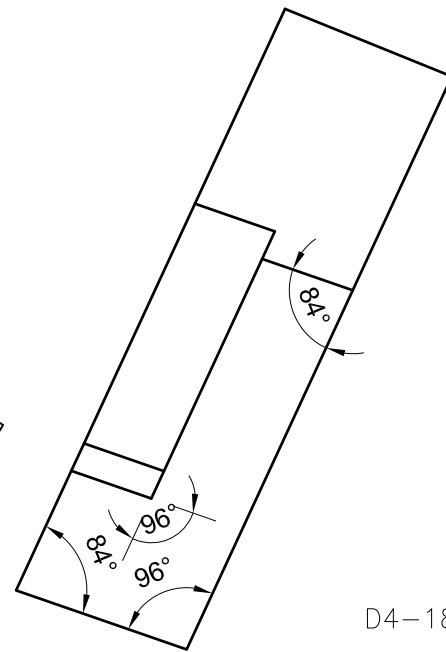


DRAWING NUMBER					AES-D0009				
SIZE	SCALE	SHEET	OF	REVISION					
A3	NONE	17	190	B					

— 31

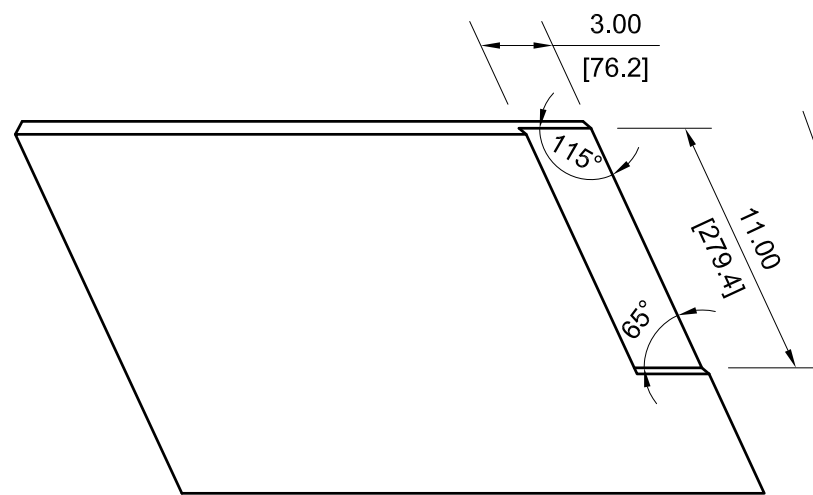


END



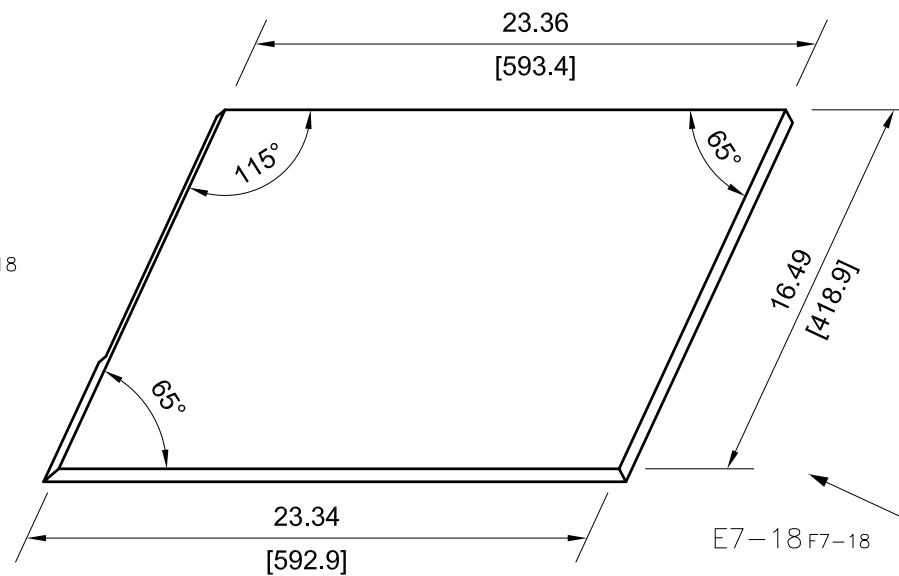
D4-18 D4-18

VIEW D4-18



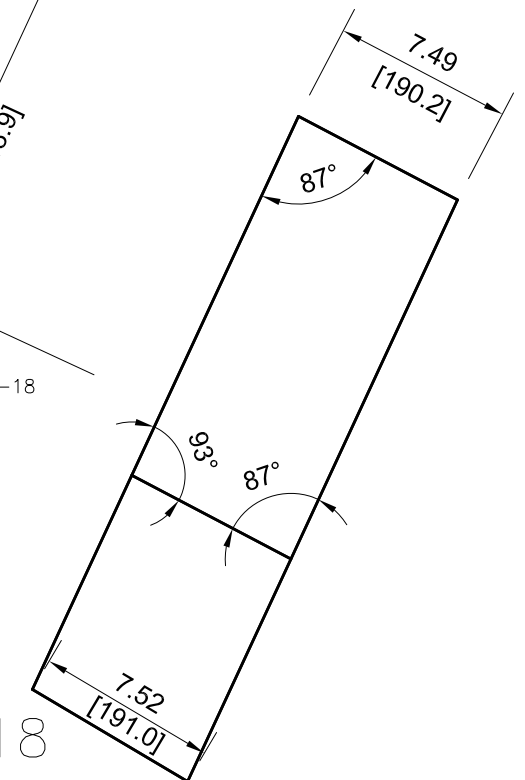
REAR VIEW RELATIVE TO VIEW D6-18

UP



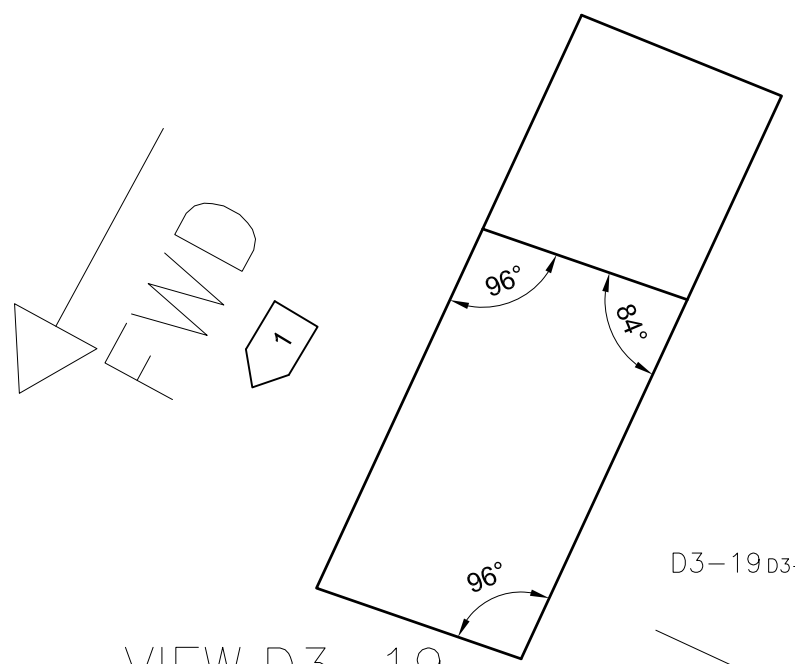
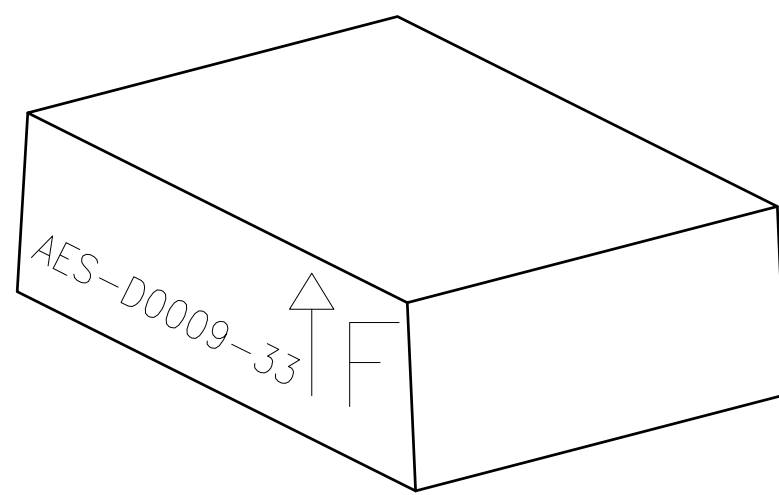
E7-18 F7-18

VIEW E7-18

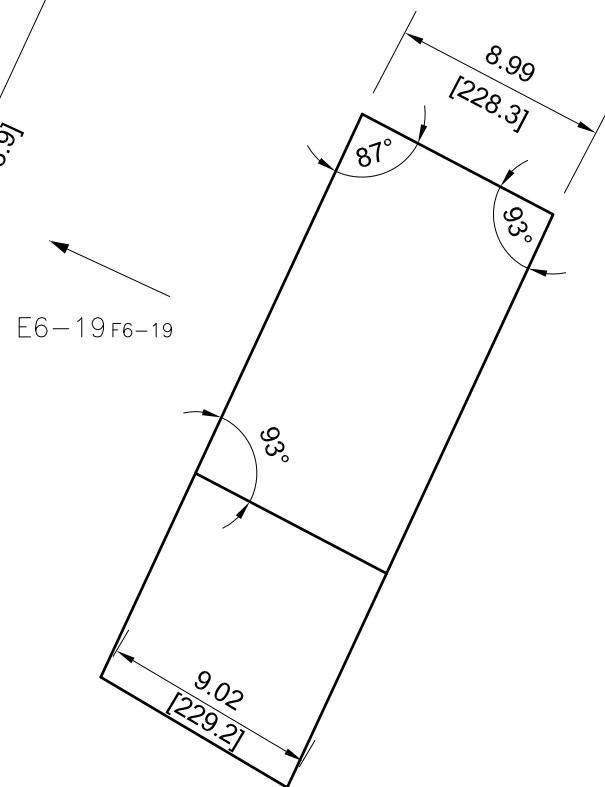
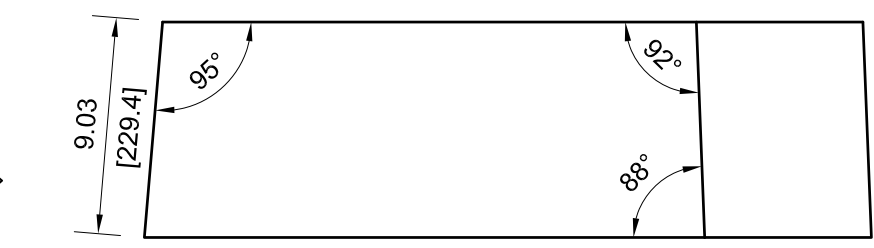
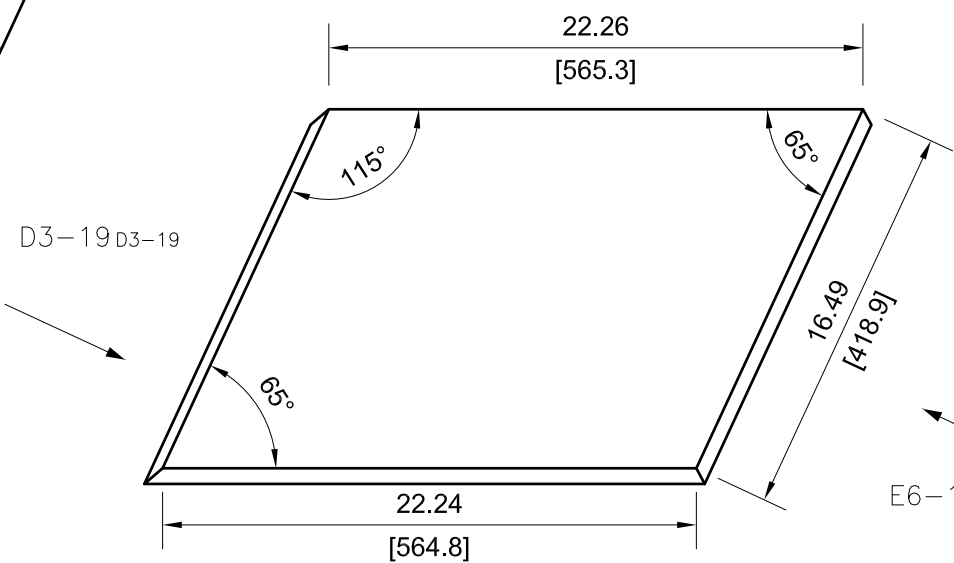


DRAWING NUMBER				
AES-D0009				
SIZE	SCALE	SHEET	OF	REVISION
A3	NONE	18	190	B

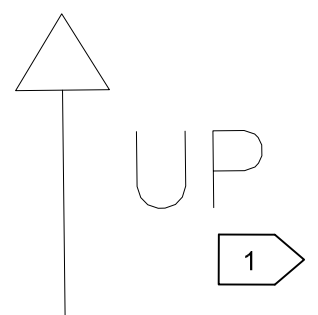
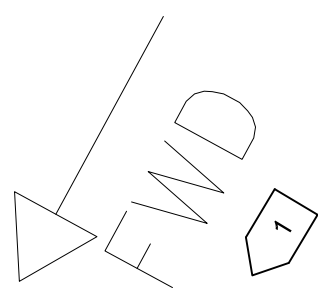
- 33



VIEW D3-19

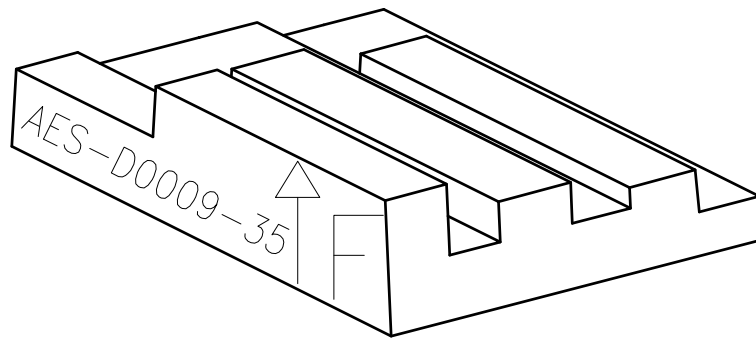


VIEW E6-19

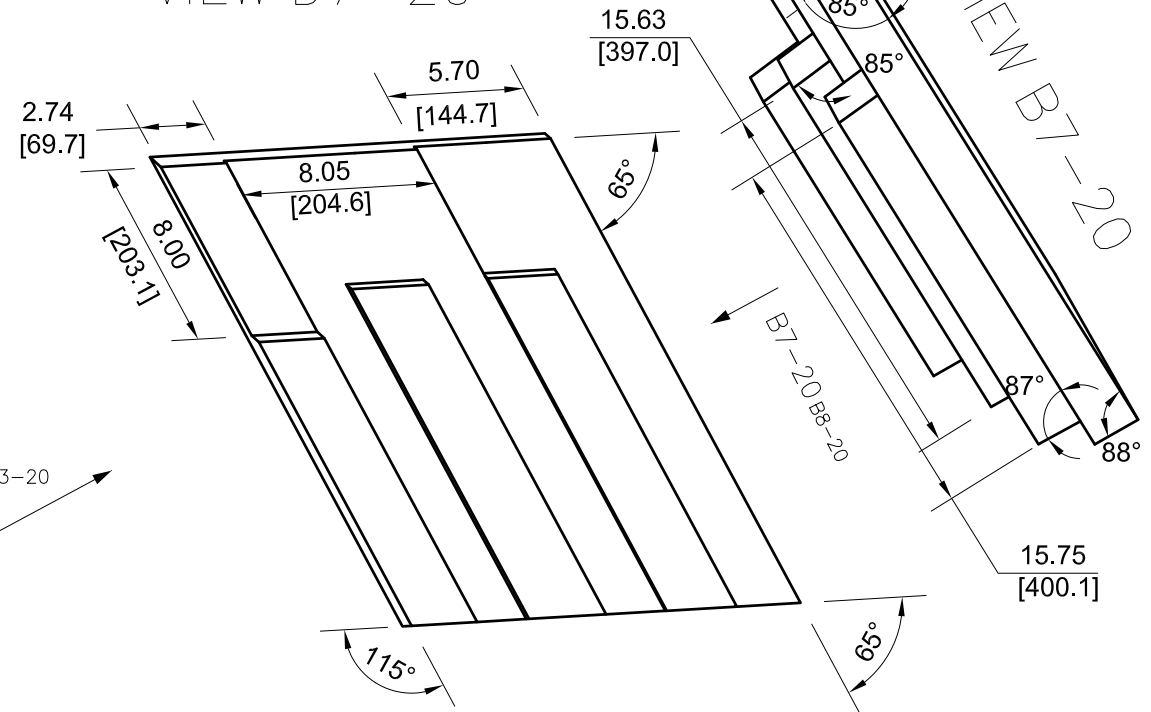


DRAWING NUMBER				
AES-D0009				
SIZE	SCALE	SHEET	OF	REVISION
A3	NONE	19	190	B

— 35

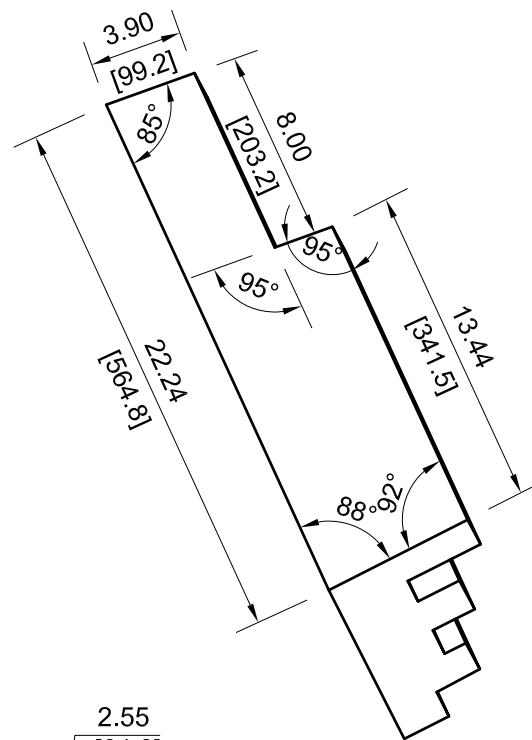


VIEW D7-20

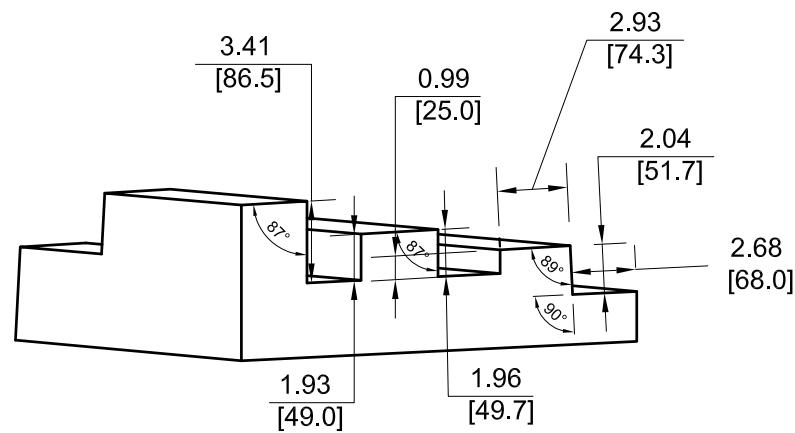


VIEW B7-20

VIEW C5-20

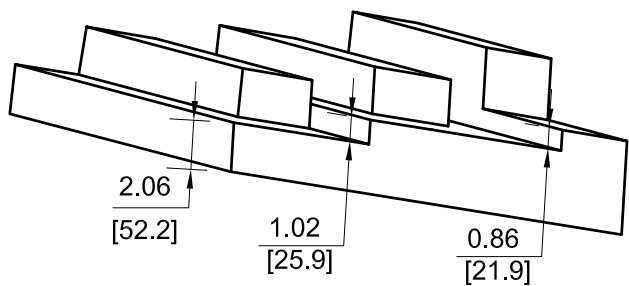
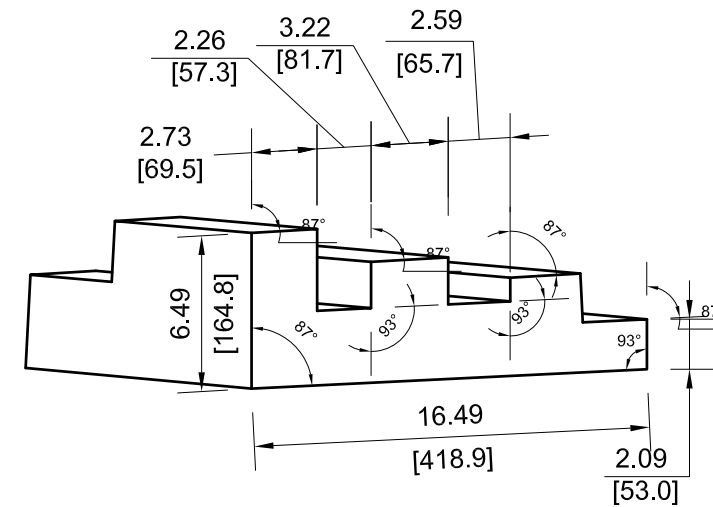


C5-20 c3-20



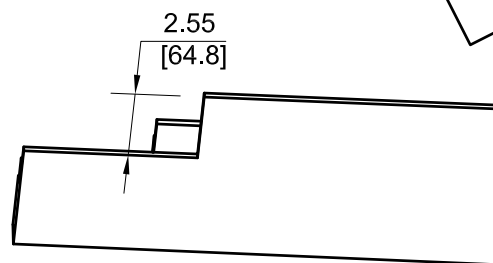
REPEATED VIEW F7-20 SHOWN FOR CLARITY PURPOSES

D7-20 B6-20



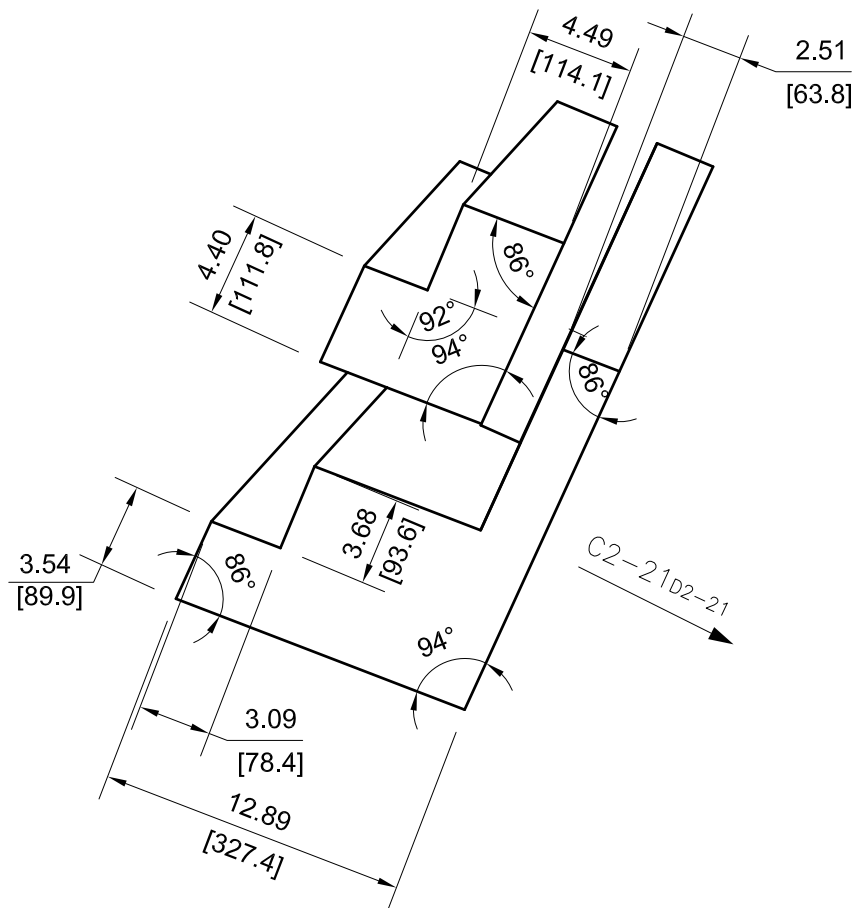
VIEW E3-20

E3-20 F1-20

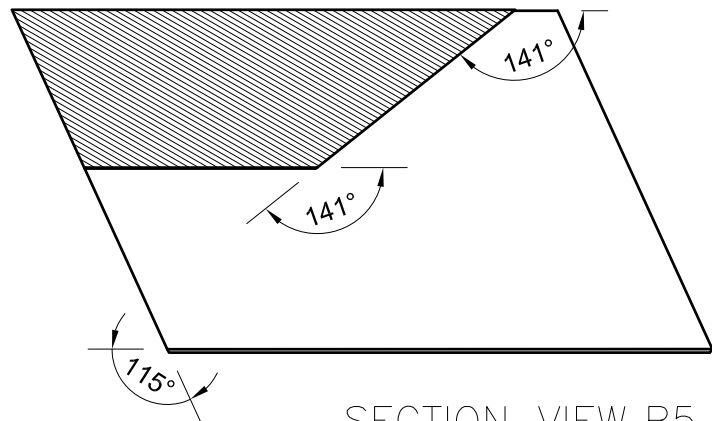


DRAWING NUMBER				
AES-D0009				
SIZE	SCALE	SHEET	OF	REVISION
A3	NONE	20	190	B

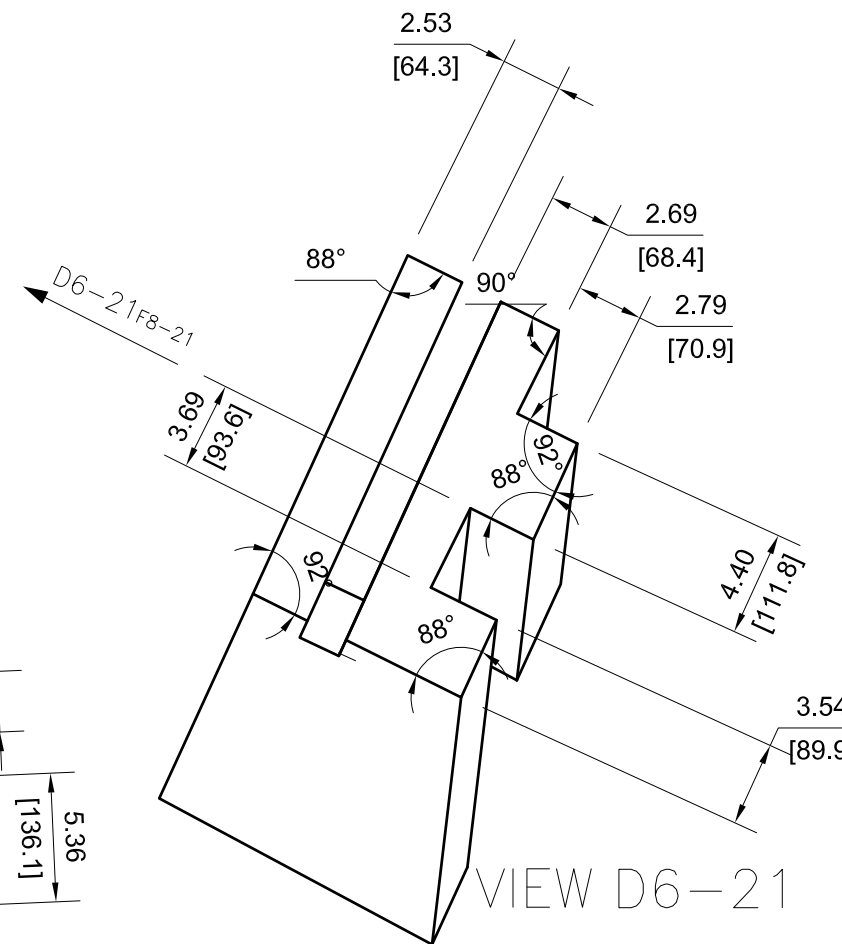
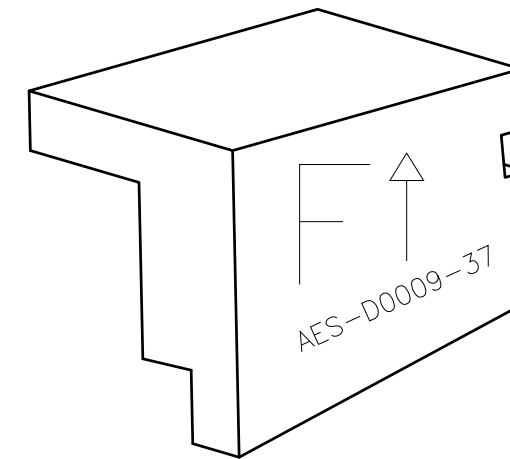
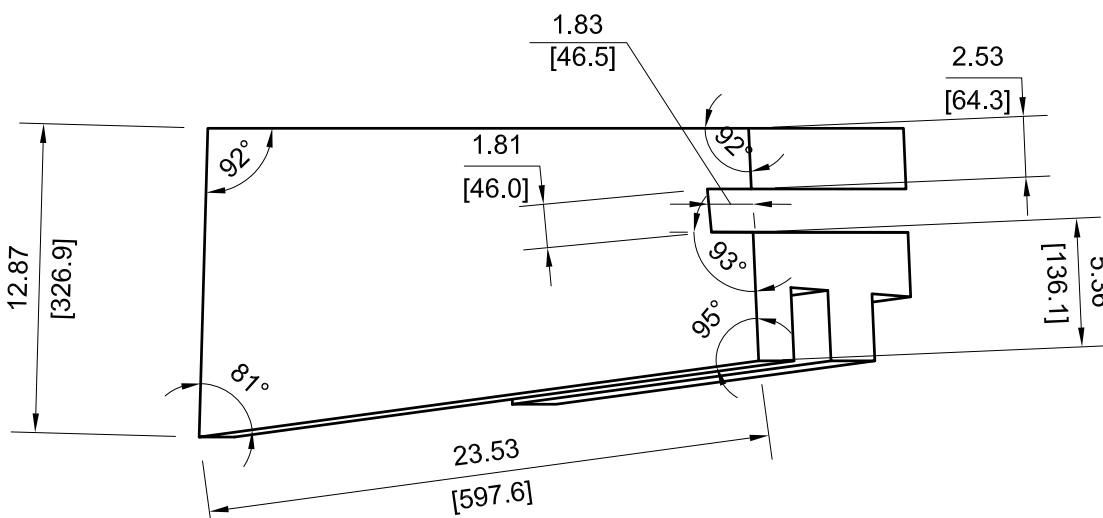
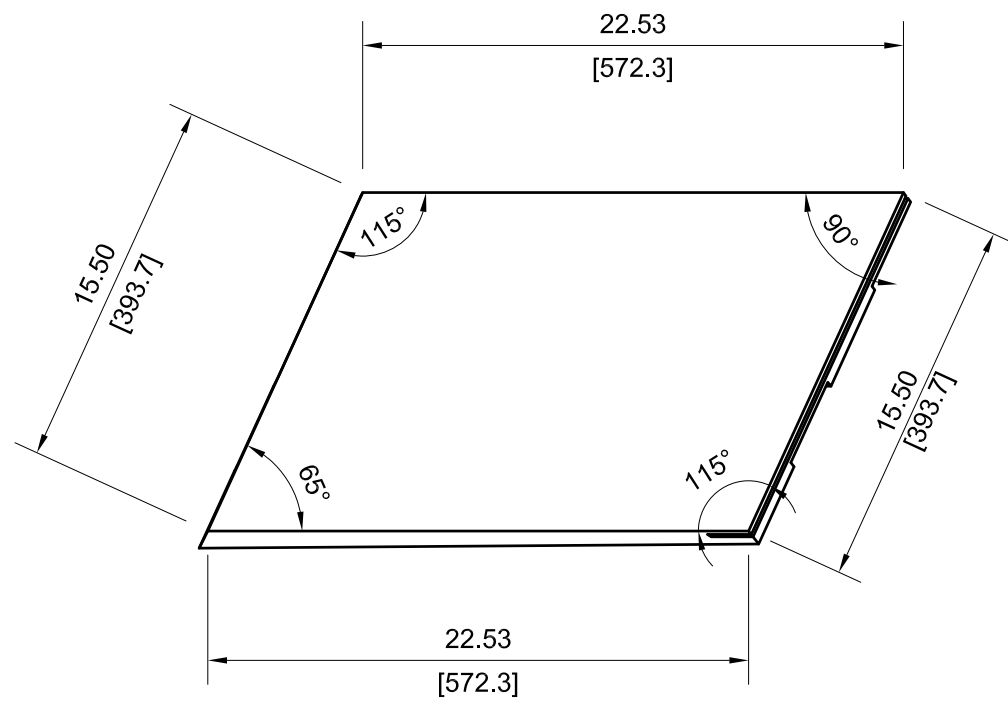
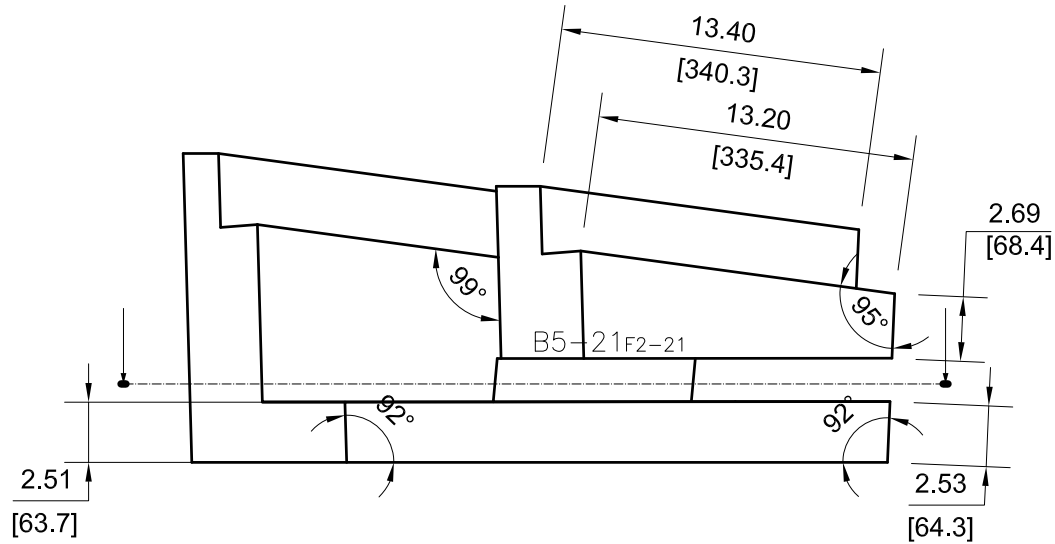
37



VIEW C2-21



SECTION VIEW B5-21

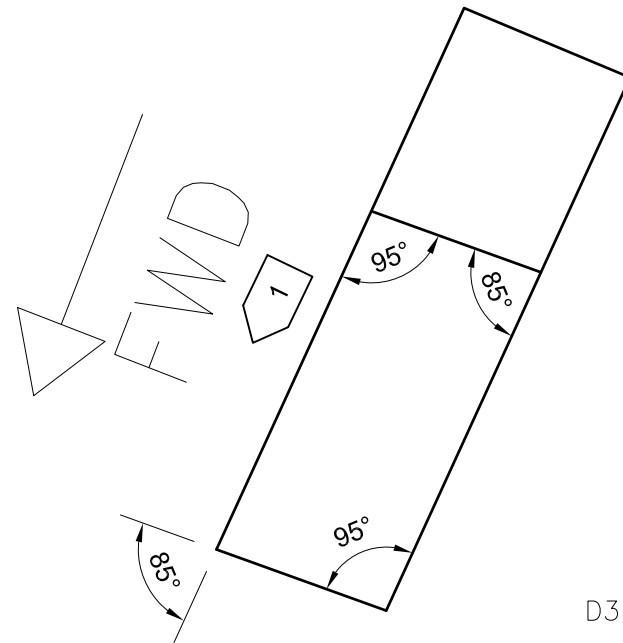
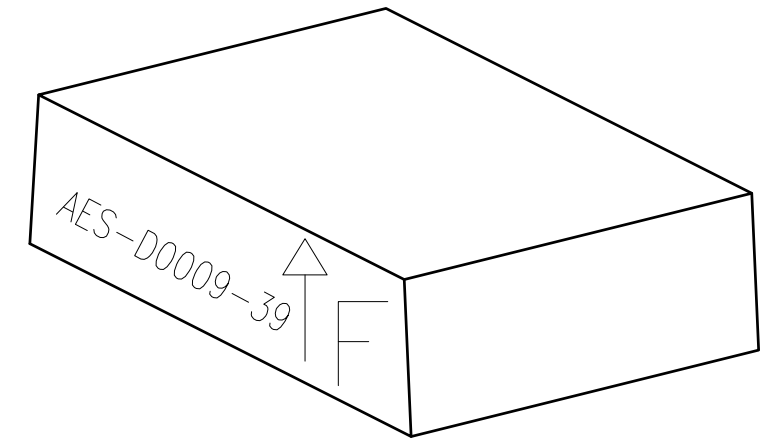


VIEW D6-21



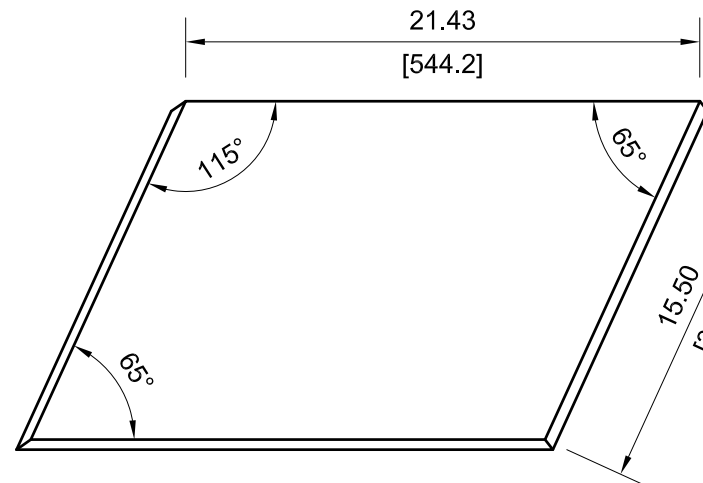
DRAWING NUMBER				
AES-D0009				
SIZE	SCALE	SHEET	OF	REVISION
A3	NONE	21	190	B

— 39

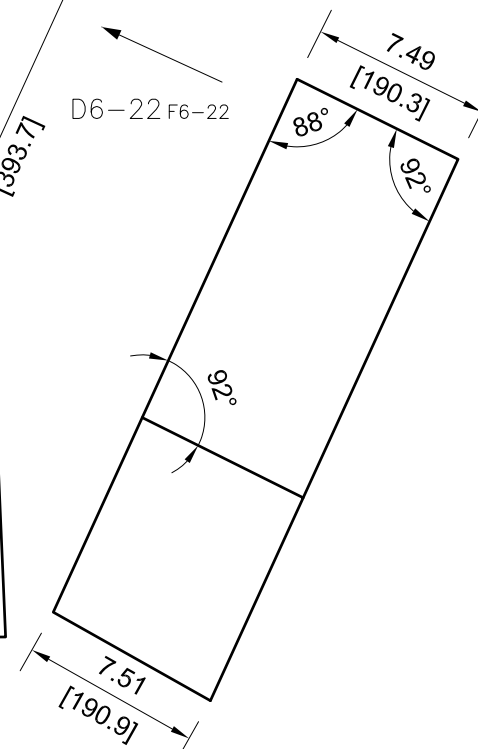


VIEW D3-22

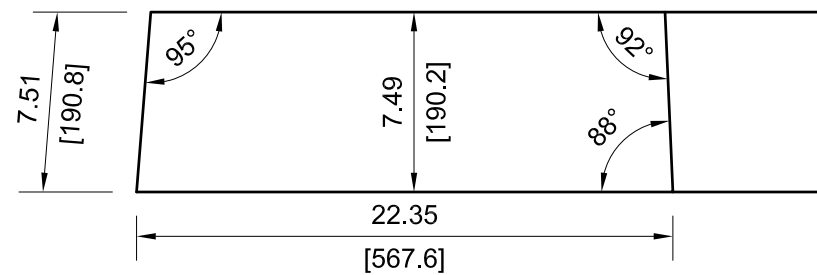
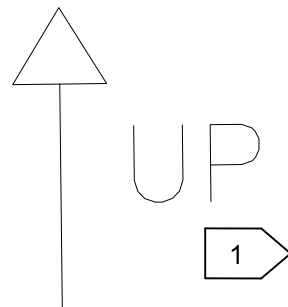
D3-22 D2-22



D6-22 F6-22

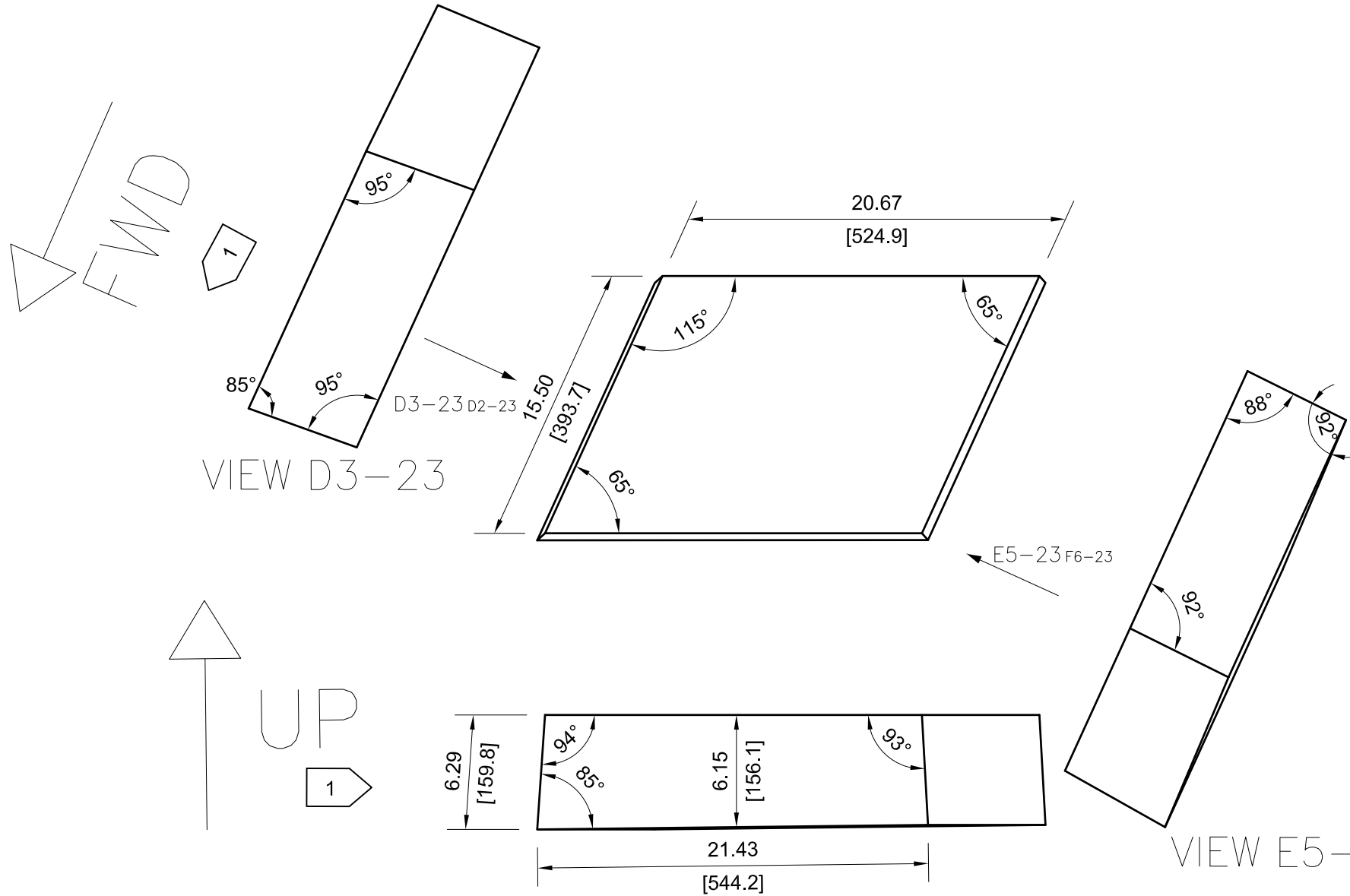
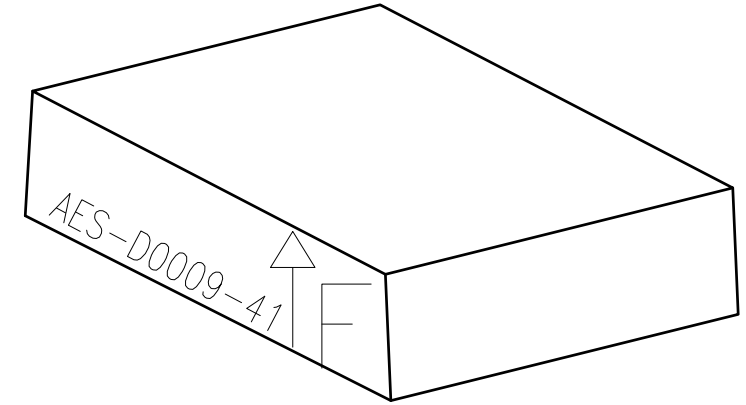


VIEW D6-22



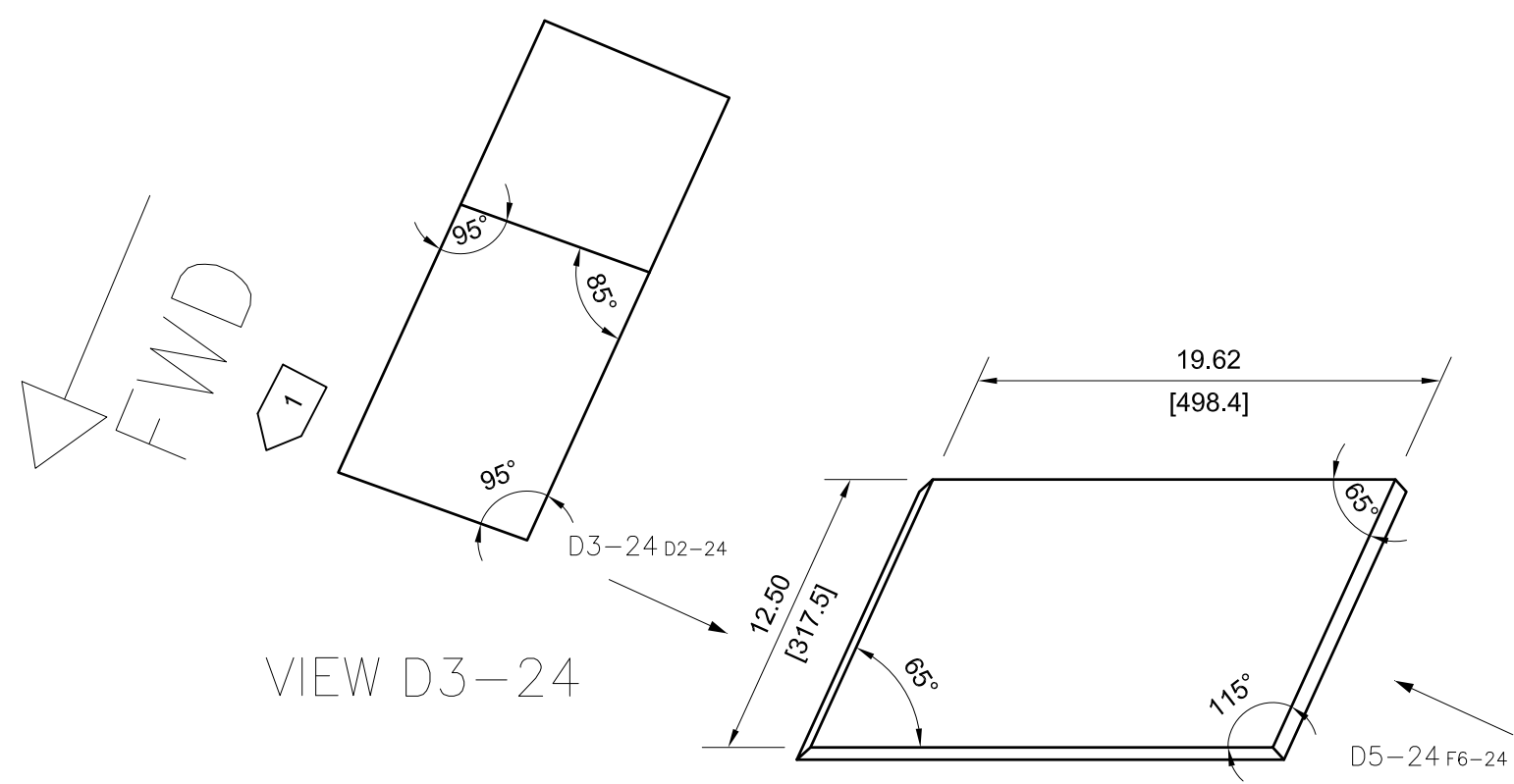
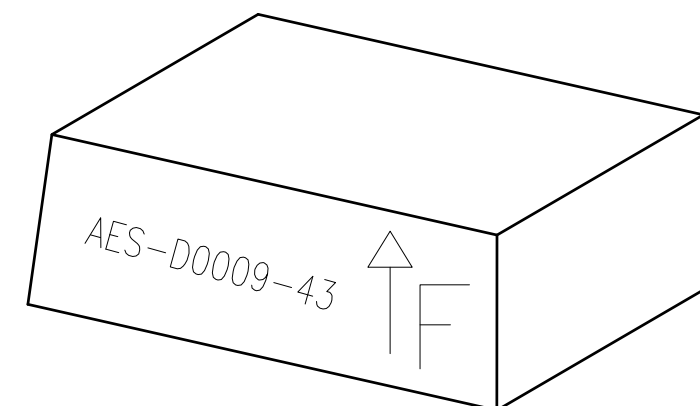
DRAWING NUMBER					AES-D0009				
SIZE	SCALE	SHEET	OF	REVISION					
A3	NONE	22	190	B					

- 41



DRAWING NUMBER				
AES-D0009				
SIZE	SCALE	SHEET	OF	REVISION
A3	NONE	23	190	B

— 43



FWD

VIEW D3-24

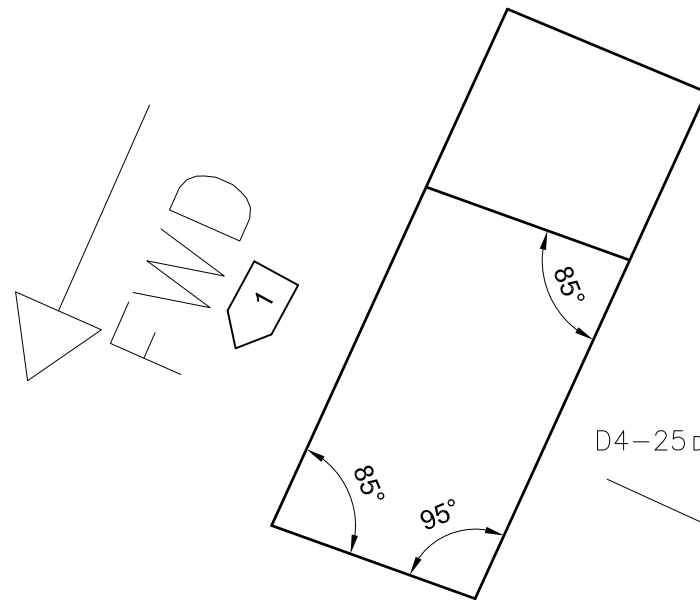
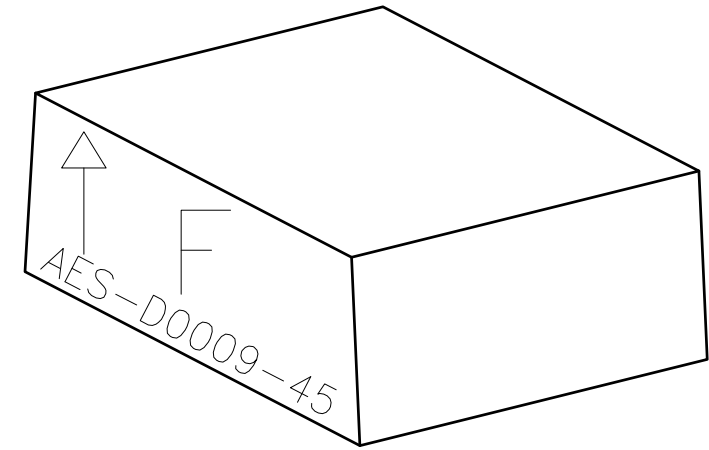
UP

VIEW D5-24



DRAWING NUMBER				
AES-D0009				
SIZE	SCALE	SHEET	OF	REVISION
A3	NONE	24	190	B

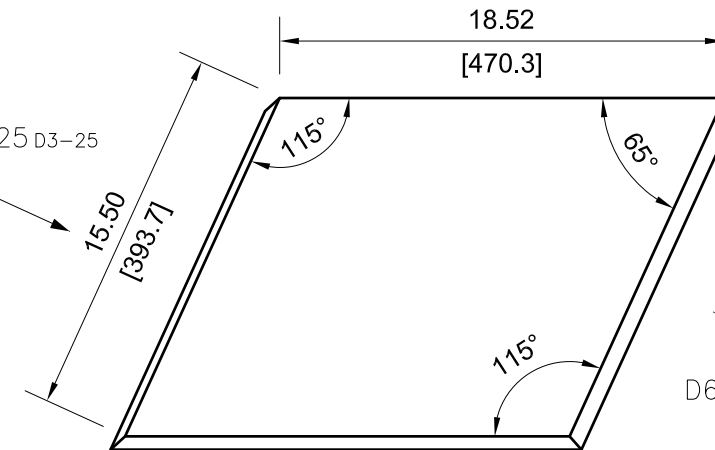
— 45



FWD

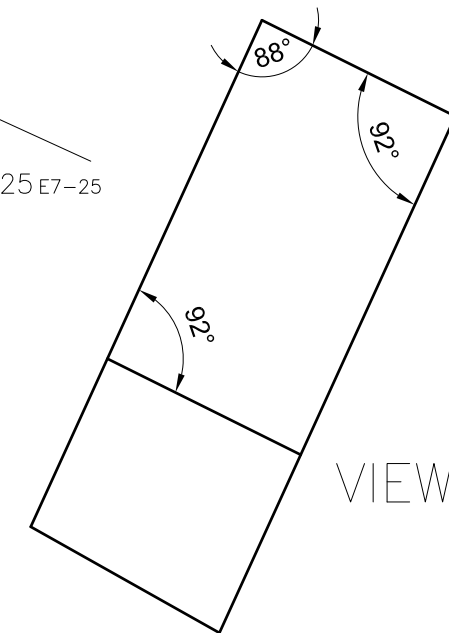
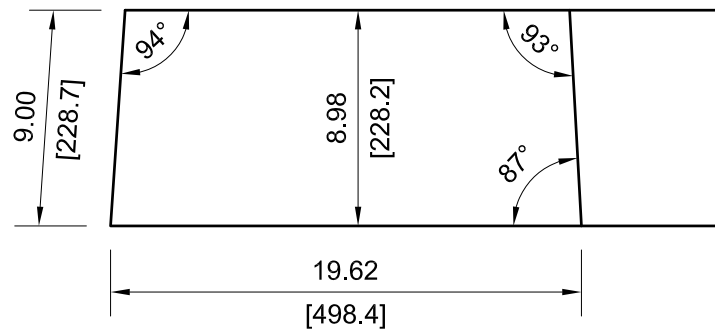
VIEW D3-25

D4-25 D3-25



D6-25 E7-25

UP



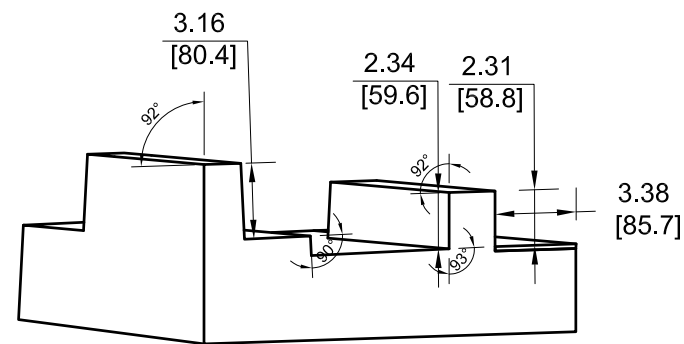
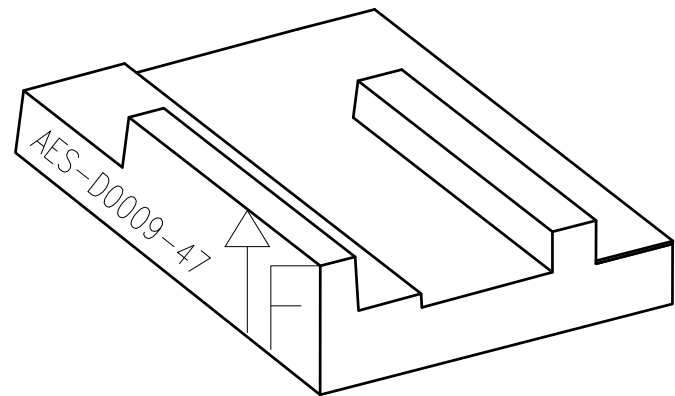
VIEW D6-25



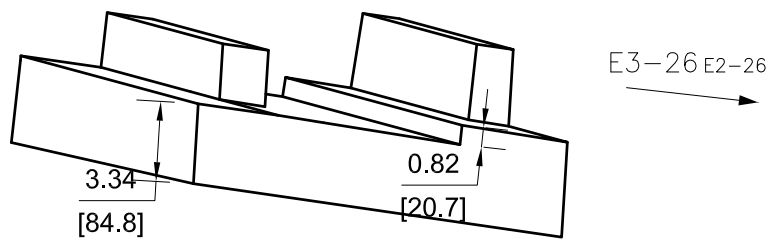
DRAWING NUMBER					AES-D0009	
SIZE	SCALE	SHEET	OF	REVISION		
A3	NONE	25	190	B		

47

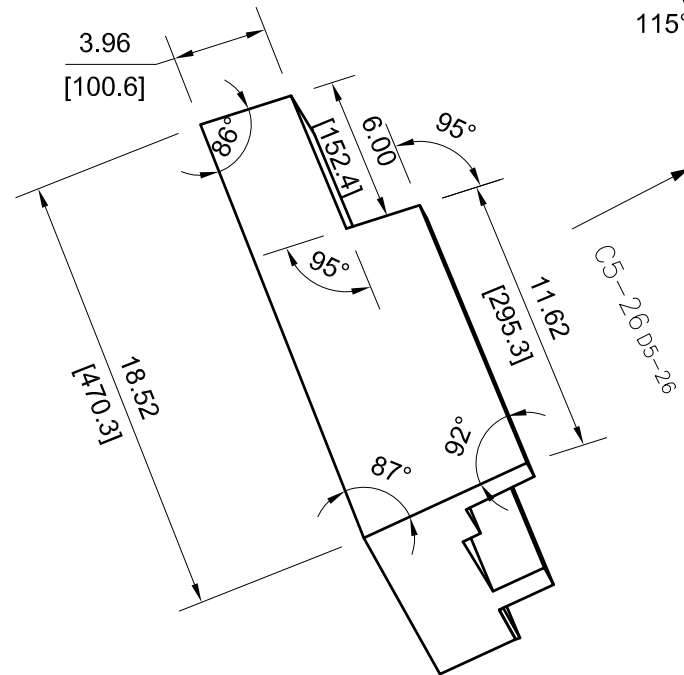
SECTION VIEW B6-26



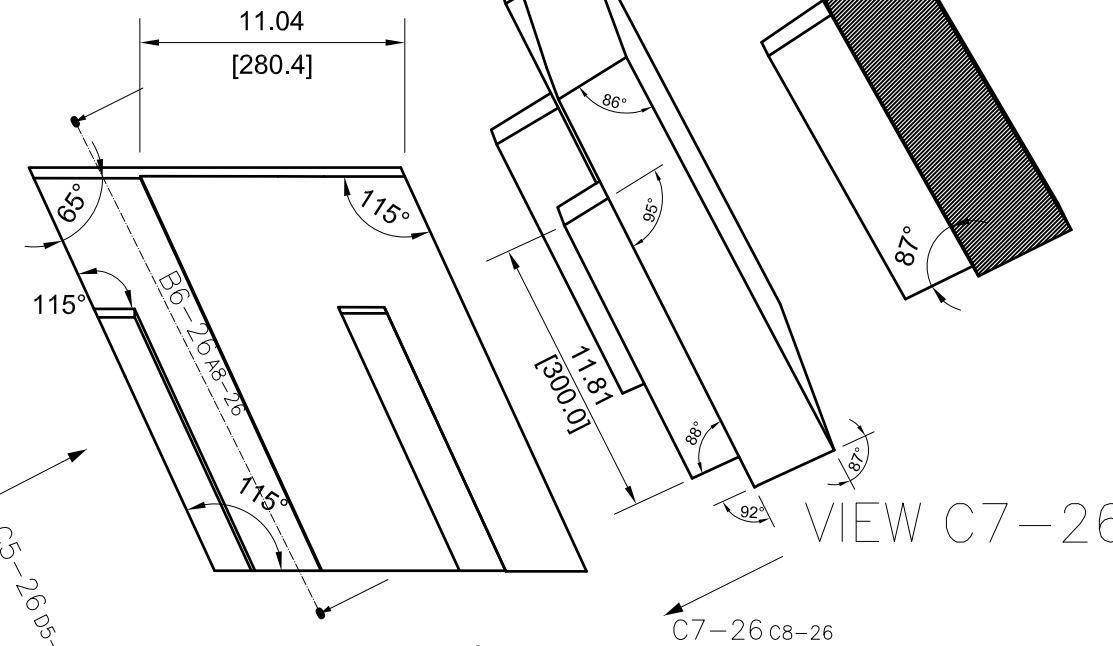
REPEATED VIEW E6-26 SHOWN FOR CLARITY PURPOSES



VIEW E3-26



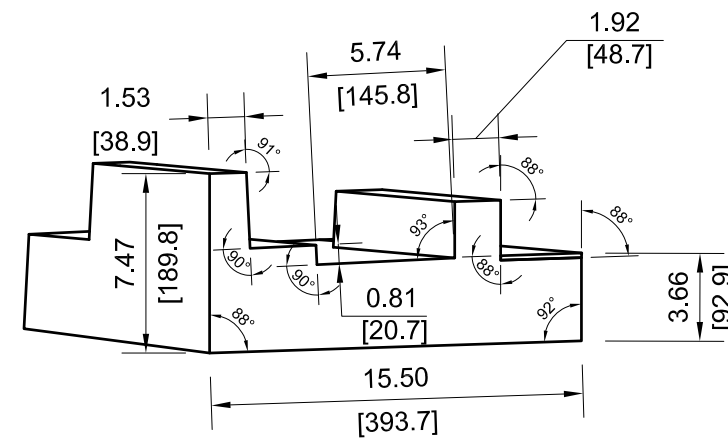
VIEW C5-26



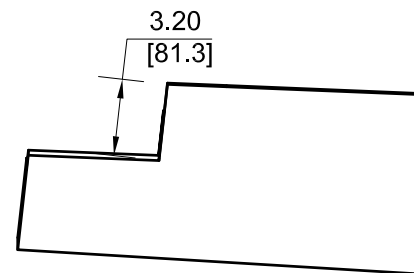
VIEW D6-26

VIEW C7-26

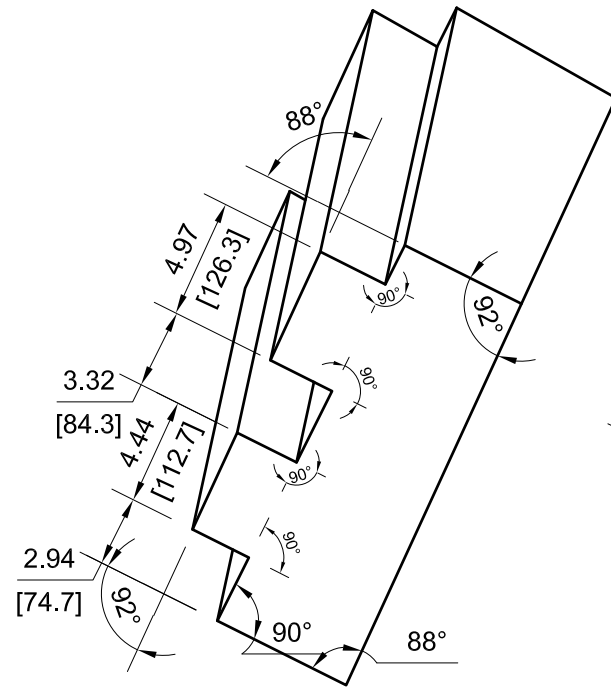
D6-26 c6-26



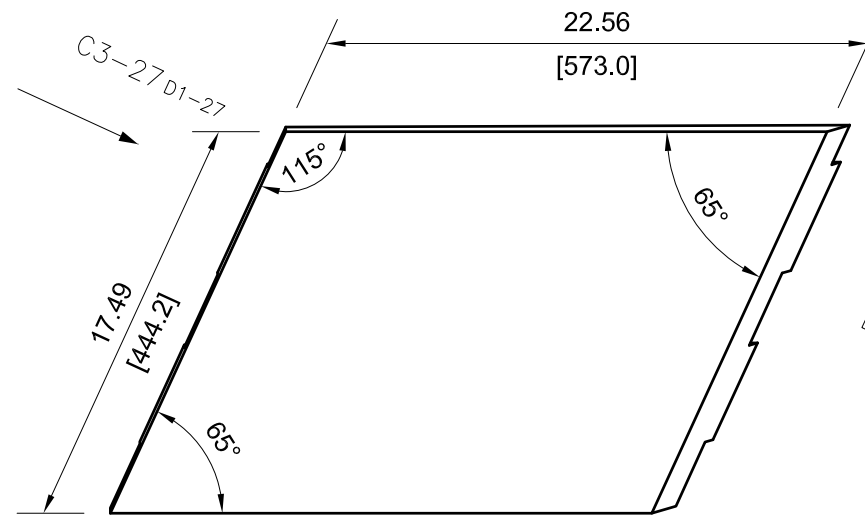
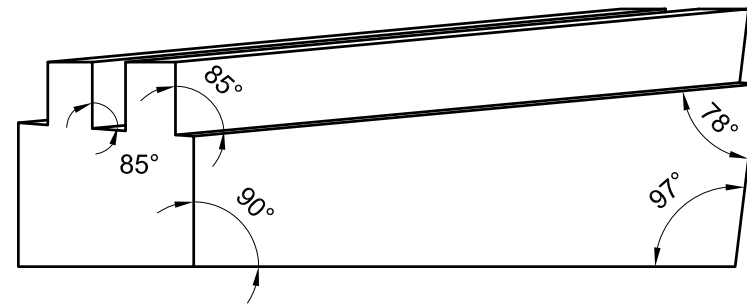
E3-26 E2-26



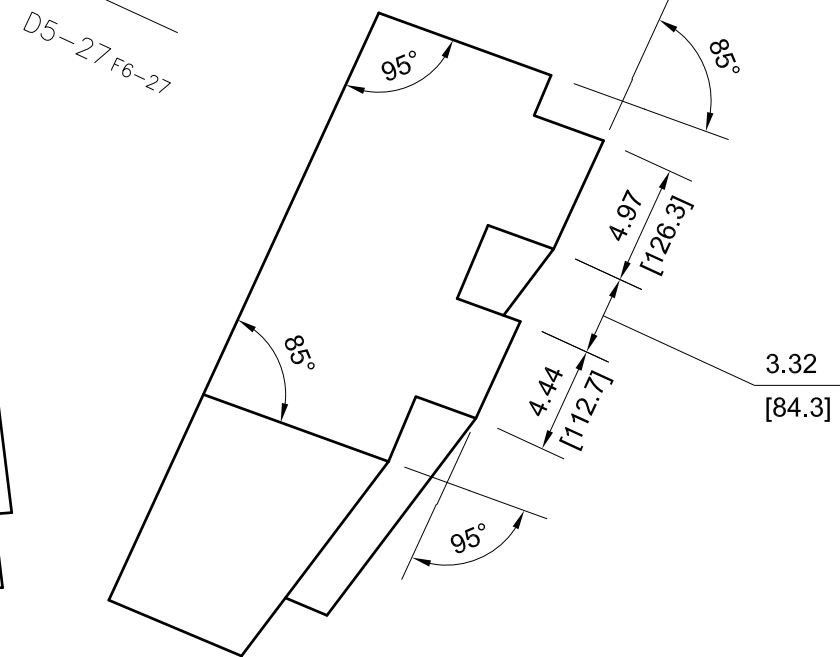
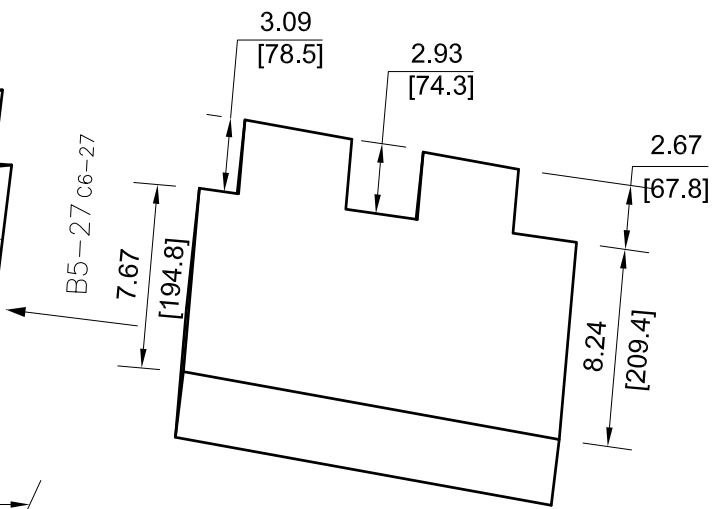
DRAWING NUMBER				
AES-D0009				
SIZE	SCALE	SHEET	OF	REVISION
A3	NONE	26	190	B



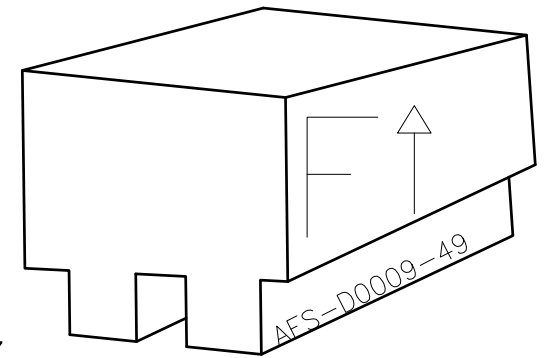
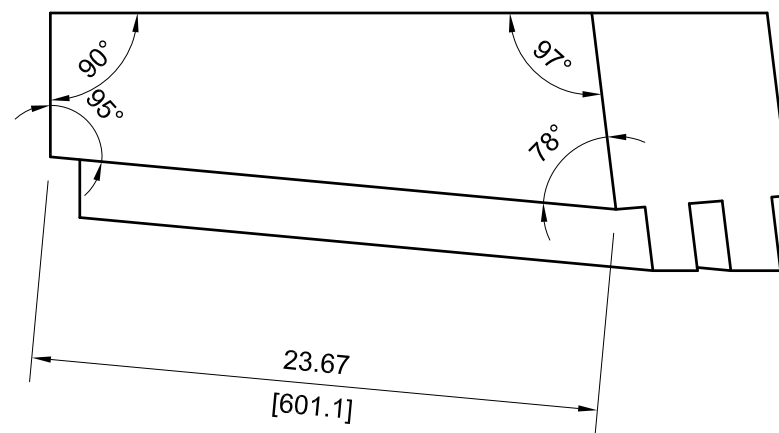
VIEW C3-27



VIEW B5-27



VIEW D5-27

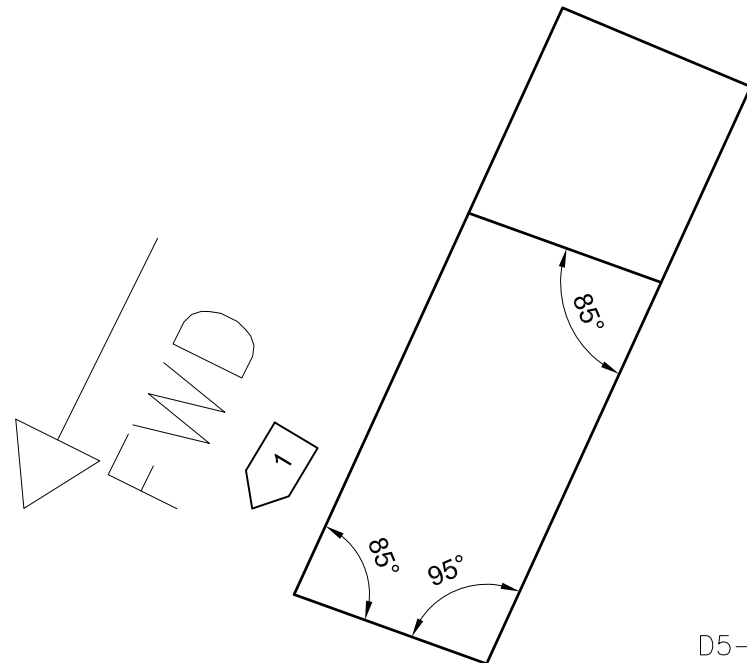
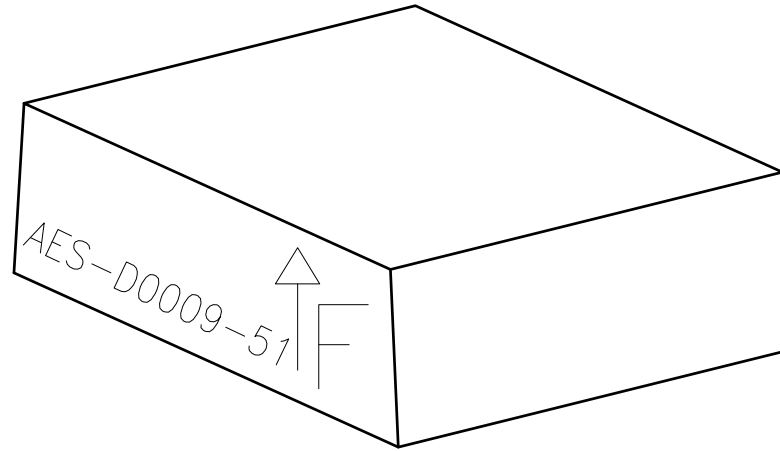


49



DRAWING NUMBER				
AES-D0009				
SIZE	SCALE	SHEET	OF	REVISION
A3	NONE	27	190	B

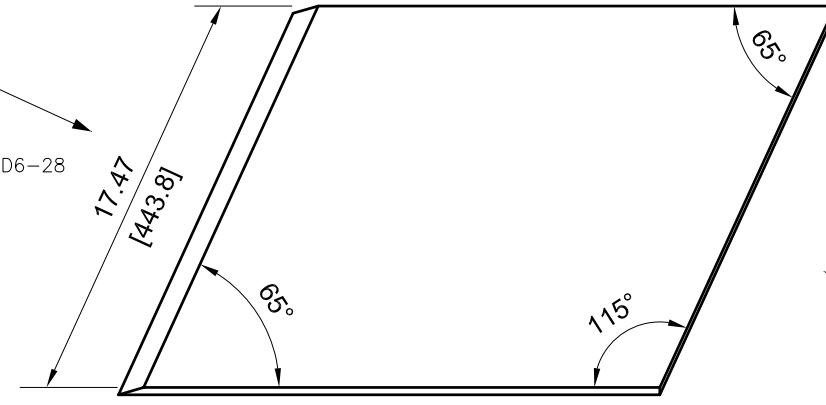
51



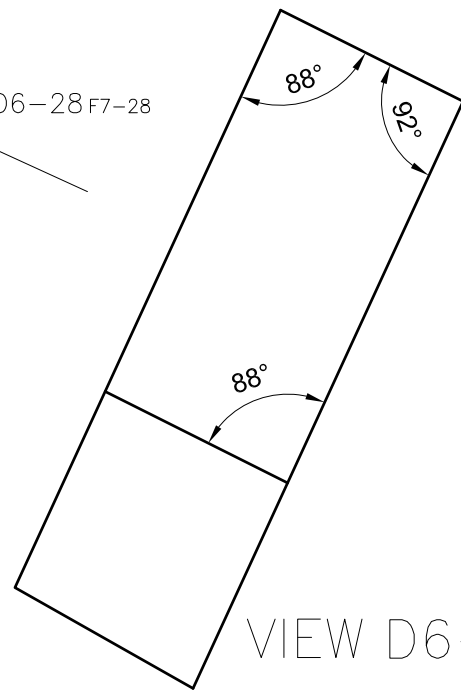
↑
FWD
1

VIEW D5-28

D5-28 D6-28

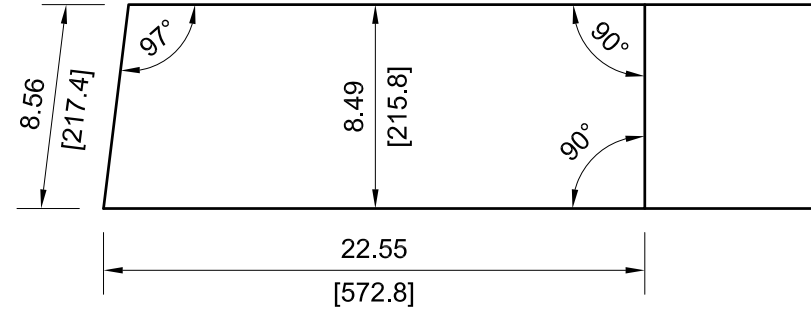


D6-28 F7-28



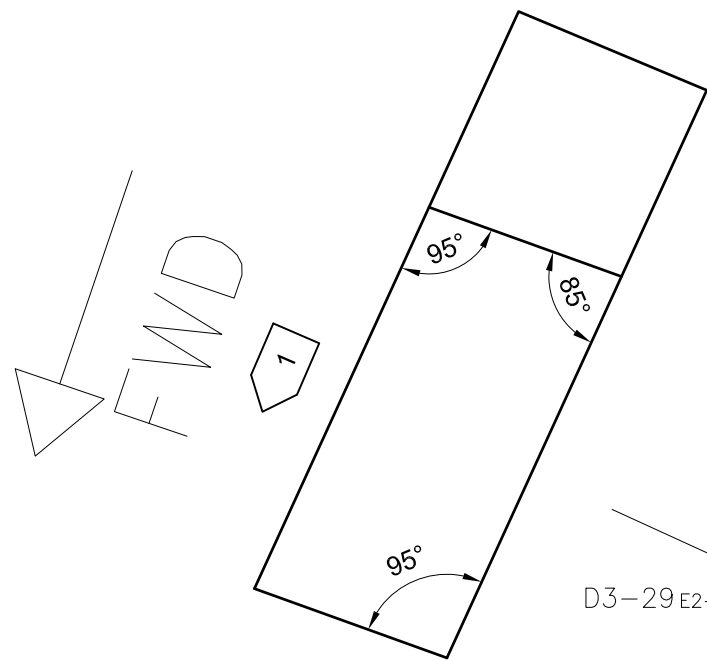
VIEW D6-28

↑
UP
1

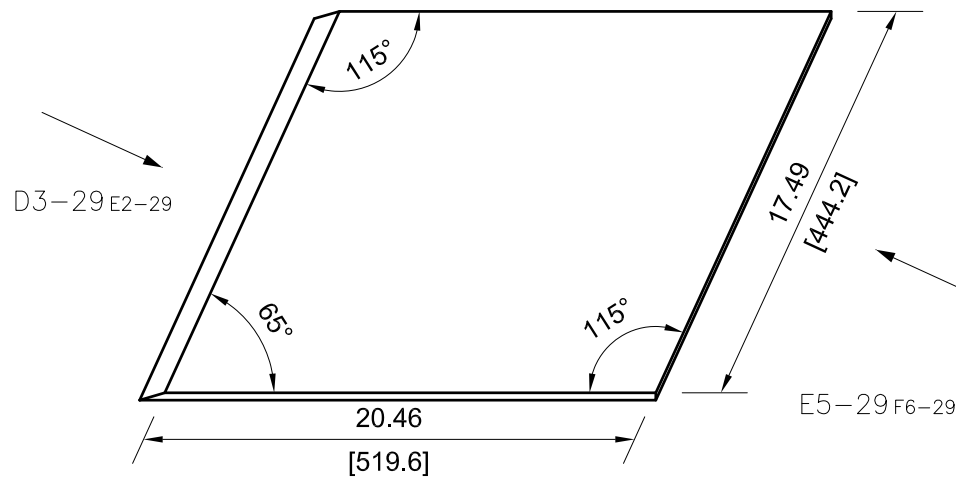


DRAWING NUMBER					AES-D0009	
SIZE	SCALE	SHEET	OF	REVISION		
A3	NONE	28	190	B		

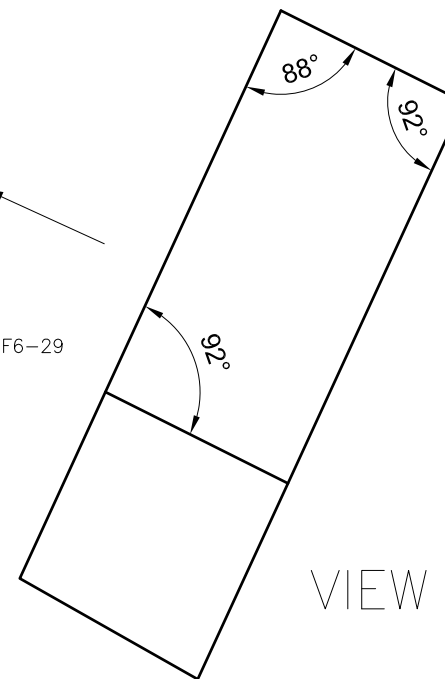
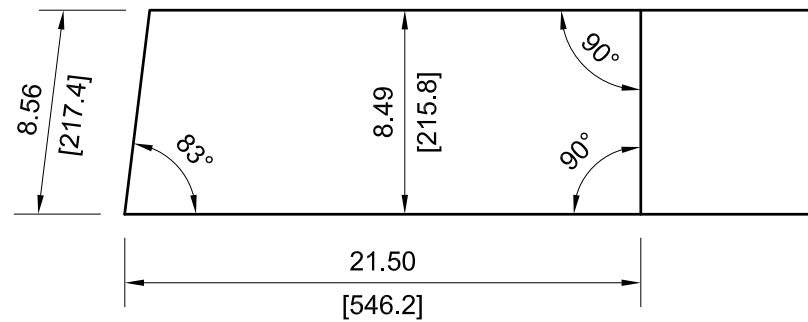
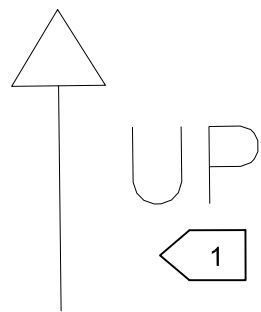
— 53



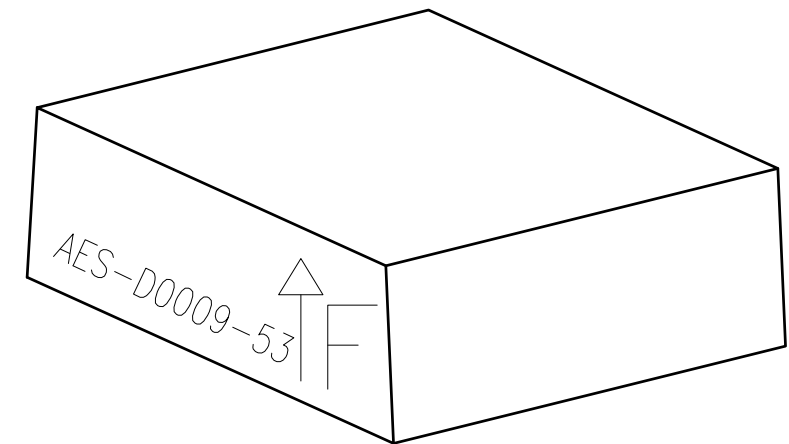
VIEW D3-29



E5-29 F6-29

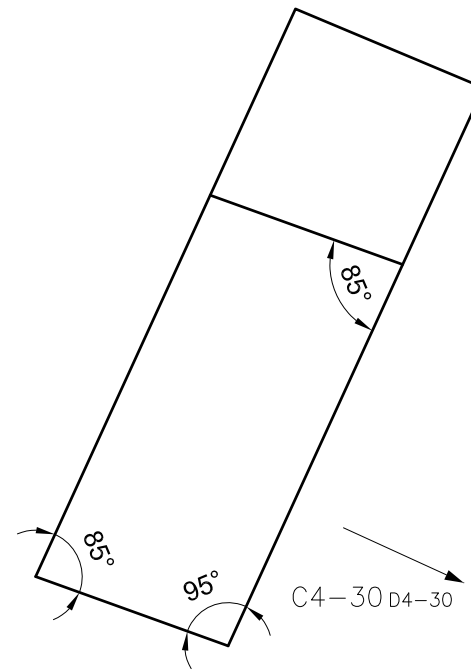
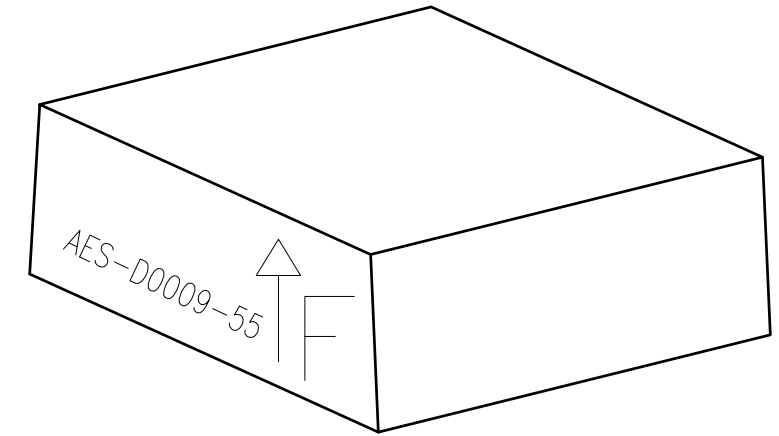


VIEW E5-29

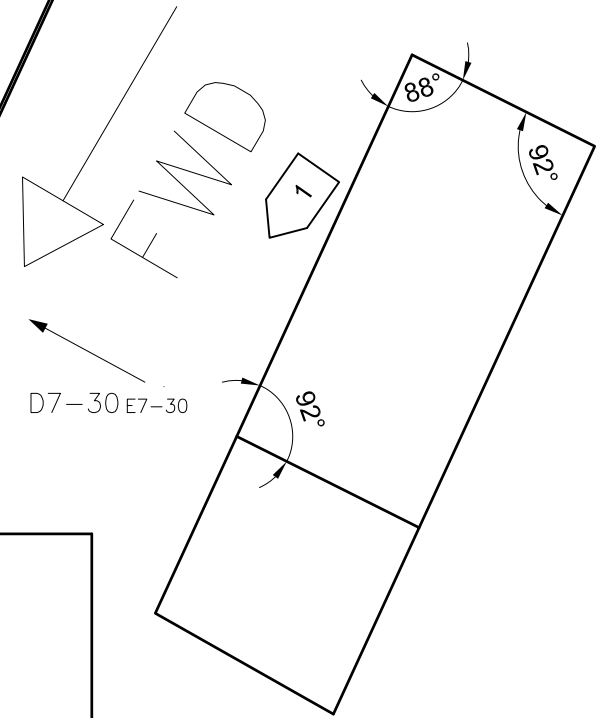
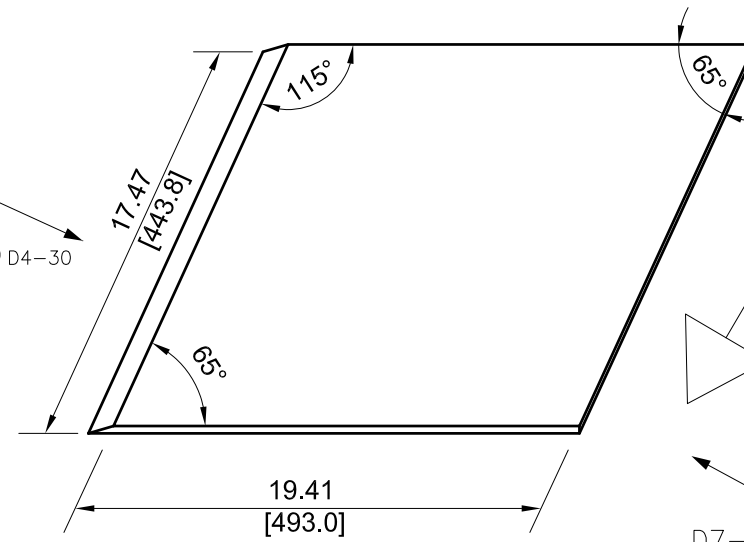


DRAWING NUMBER				
AES-D0009				
SIZE	SCALE	SHEET	OF	REVISION
A3	NONE	29	190	B

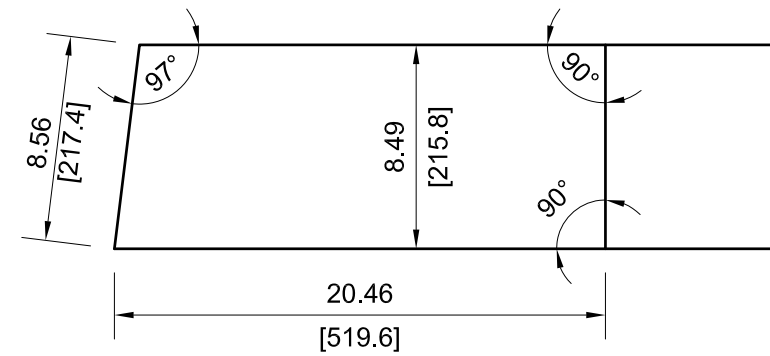
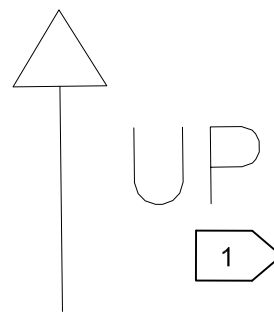
55



VIEW C4-30

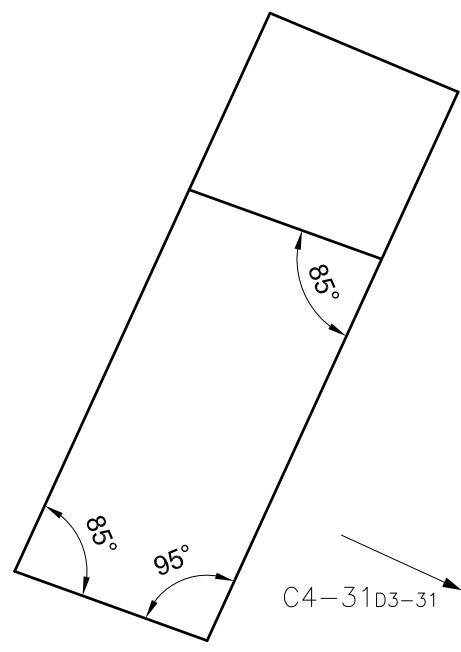
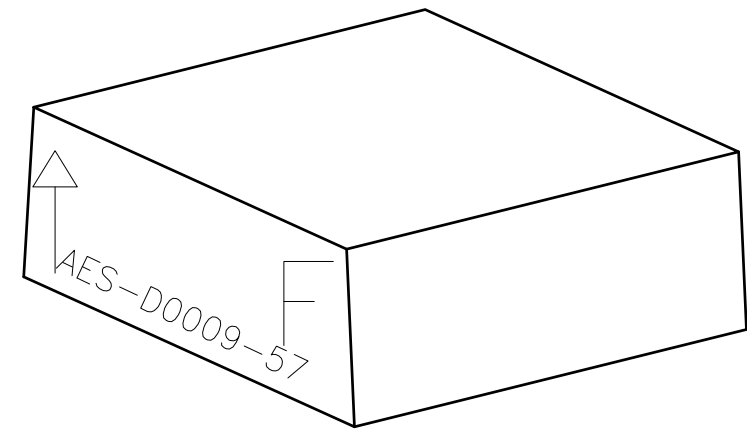


VIEW D7-30

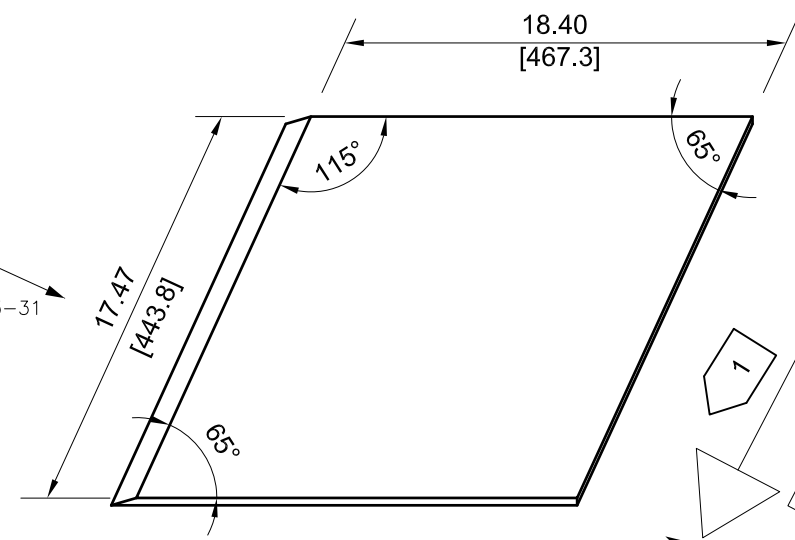


DRAWING NUMBER				
AES-D0009				
SIZE	SCALE	SHEET	OF	REVISION
A3	NONE	30	190	B

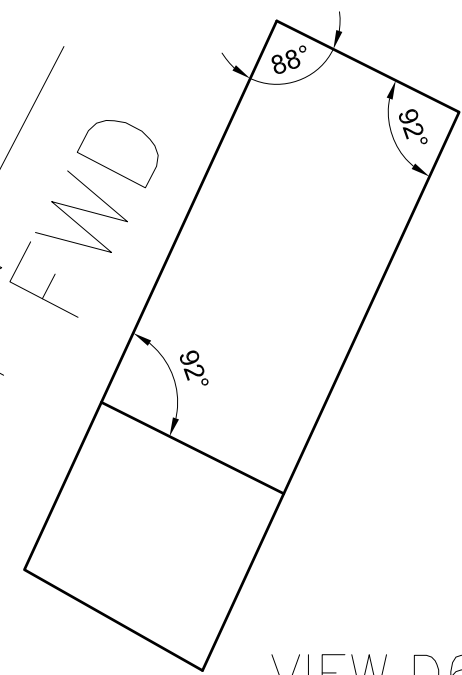
— 57



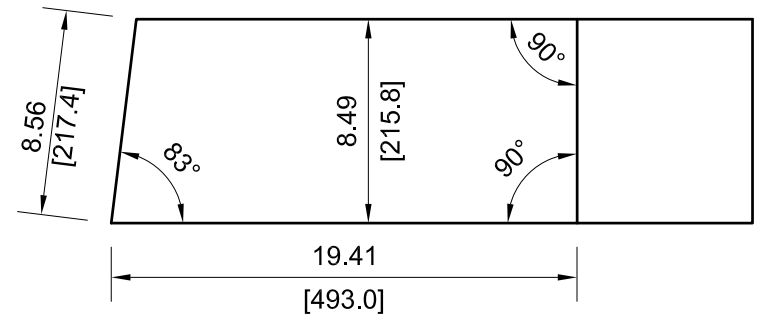
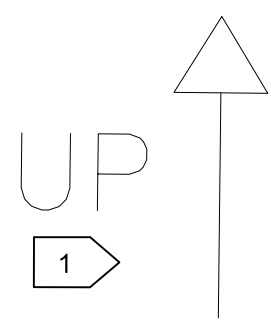
VIEW C4-31



D6-31E7-31

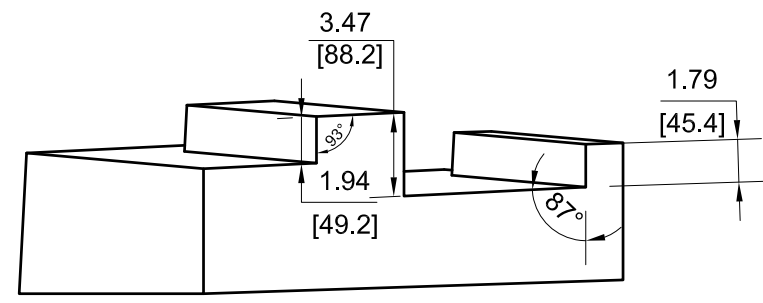
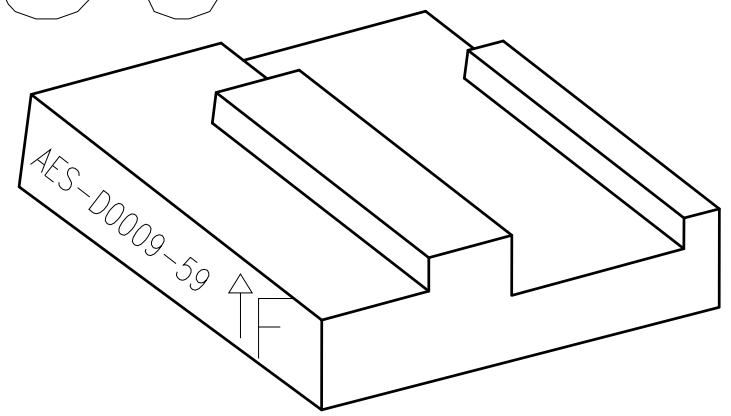


VIEW D6-31

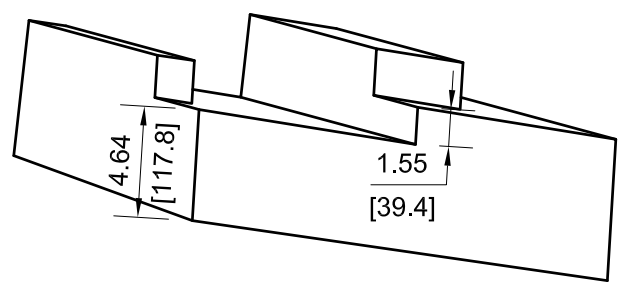


DRAWING NUMBER				
AES-D0009				
SIZE	SCALE	SHEET	OF	REVISION
A3	NONE	31	190	B

59

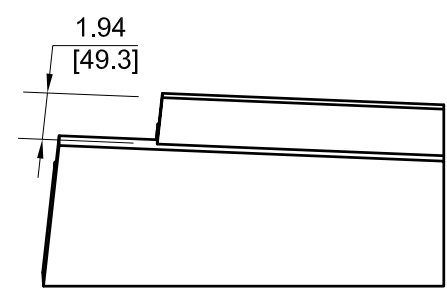


REPEATED VIEW E6-32 SHOWN FOR CLARITY PURPOSES

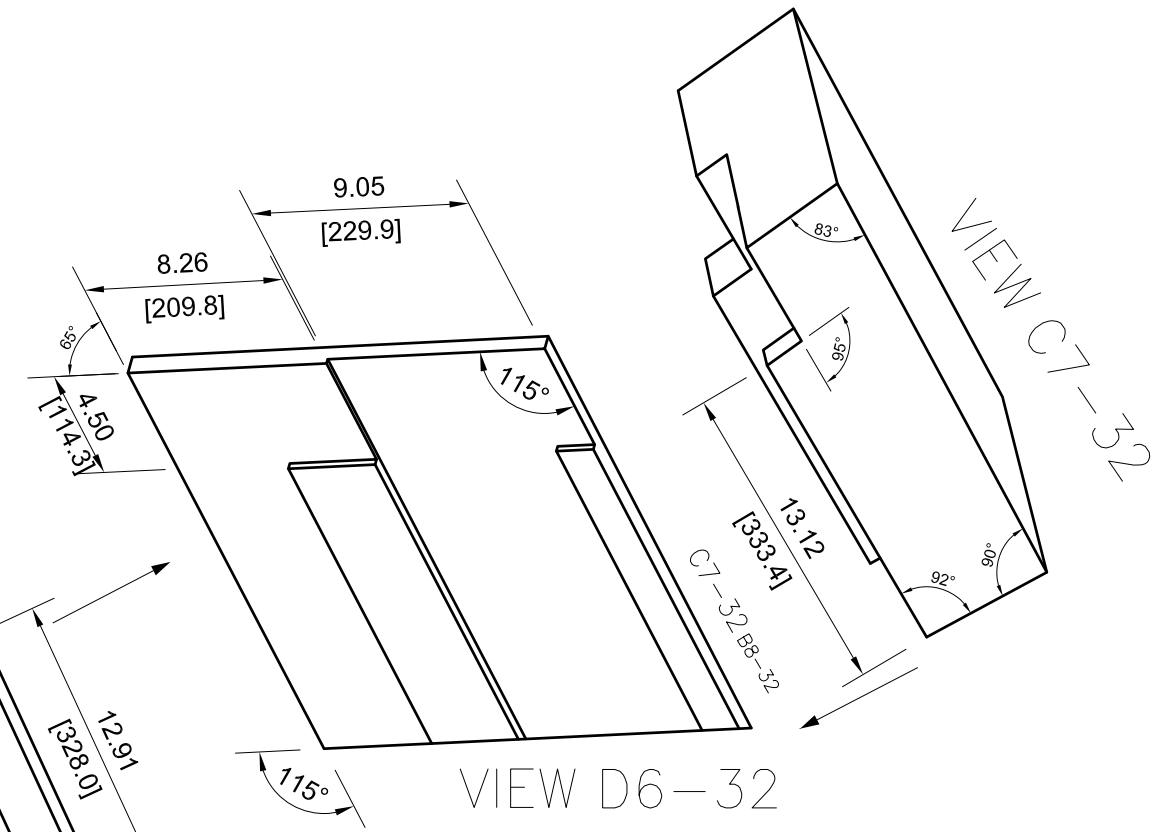
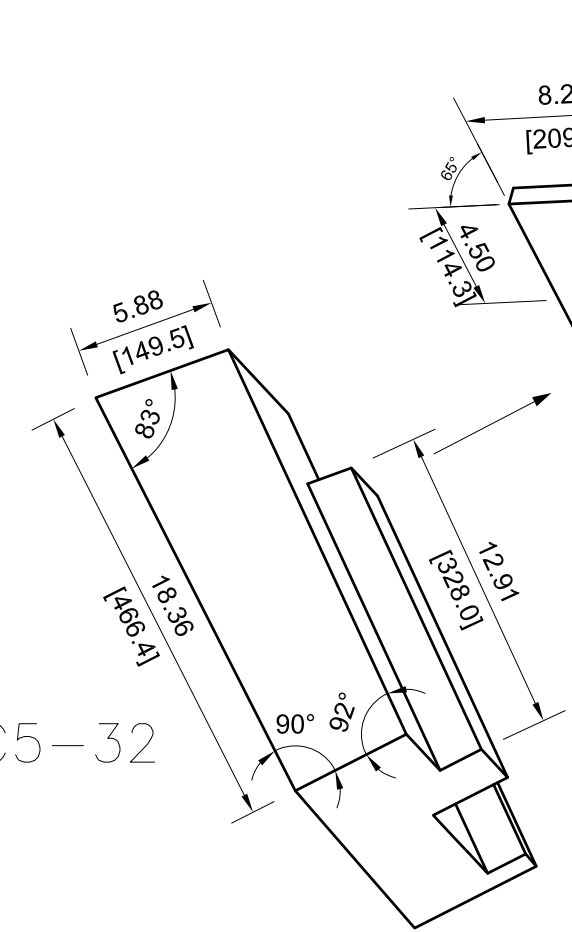


VIEW E3-32

E3-32 E2-32

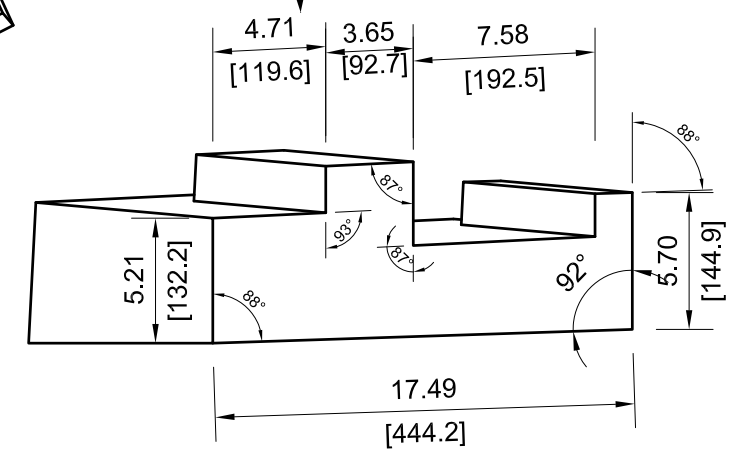


VIEW C5-32



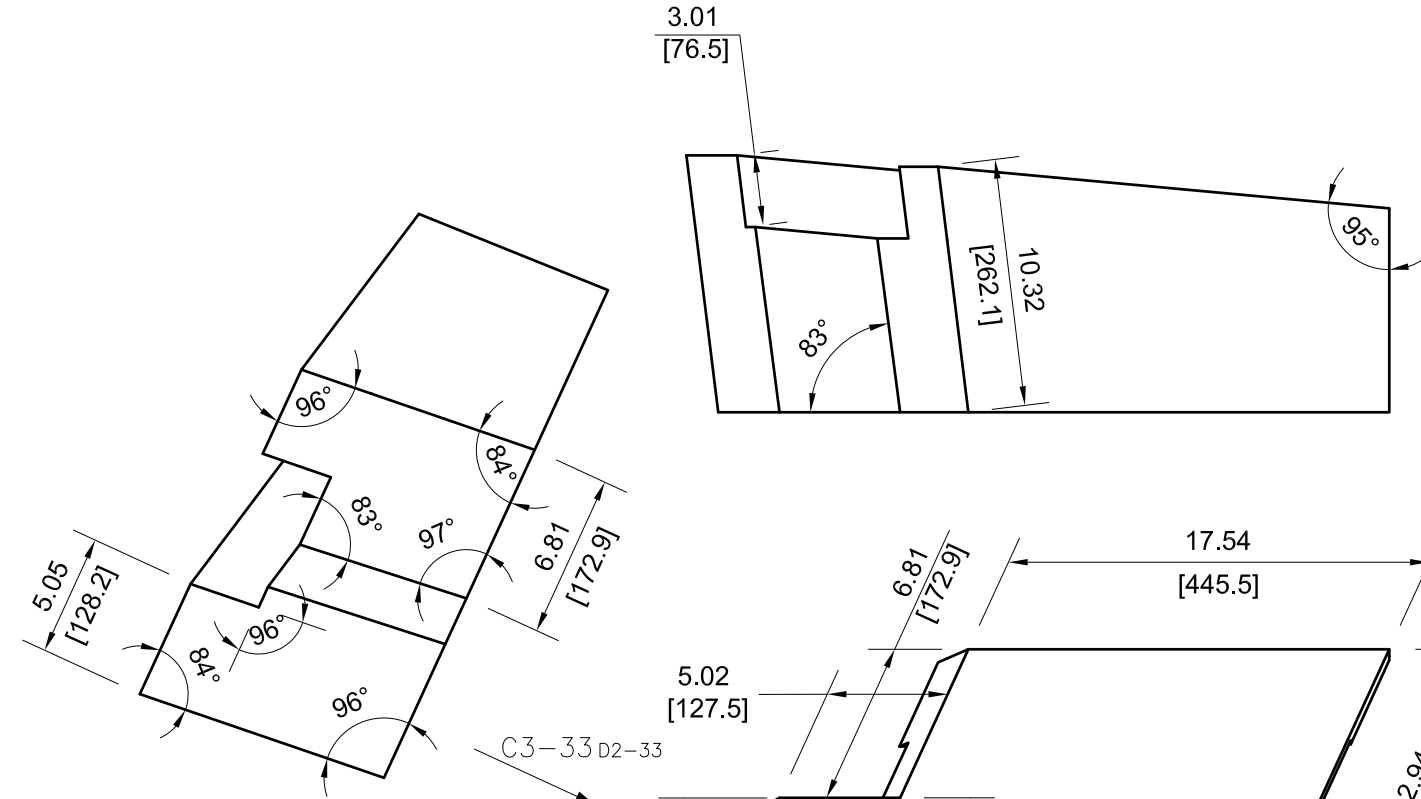
VIEW D6-32

D6-32 C6-32



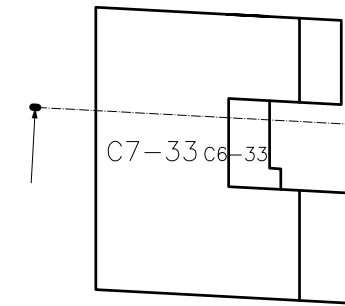
	DRAWING NUMBER				
	AES-D0009				
SIZE	SCALE	SHEET	OF	REVISION	
A3	NONE	32	190	B	

61

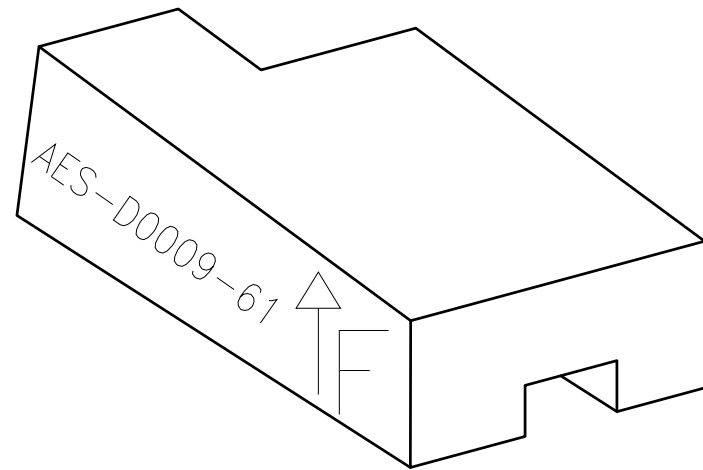


VIEW C3-33

SECTION VIEW C7-33



D6-33 F7-33

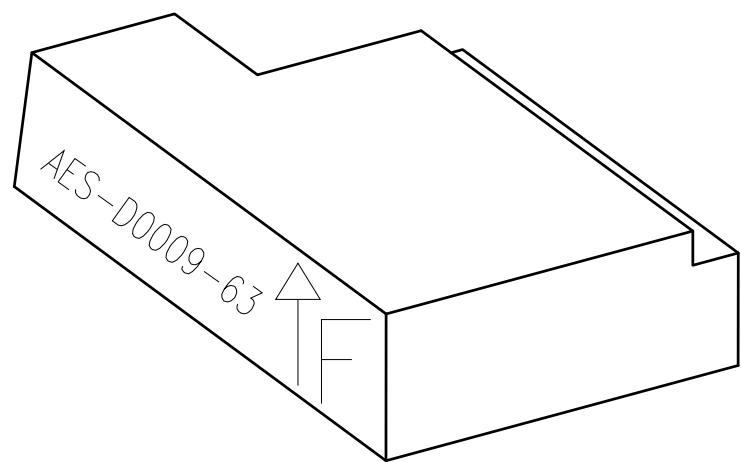


VIEW D6-33

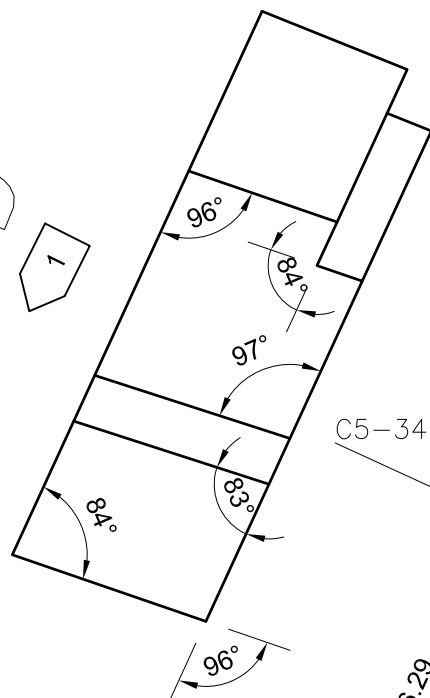


DRAWING NUMBER				
AES-D0009				
SIZE	SCALE	SHEET	OF	REVISION
A3	NONE	33	190	B

63

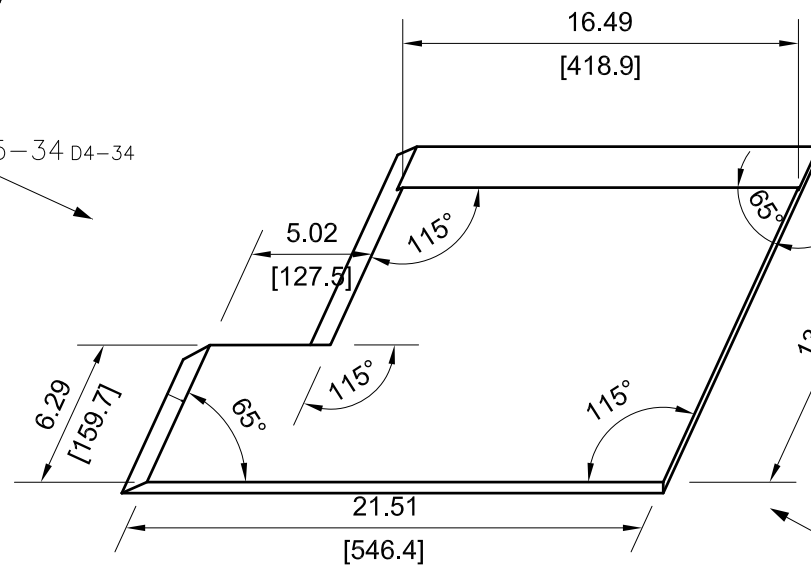
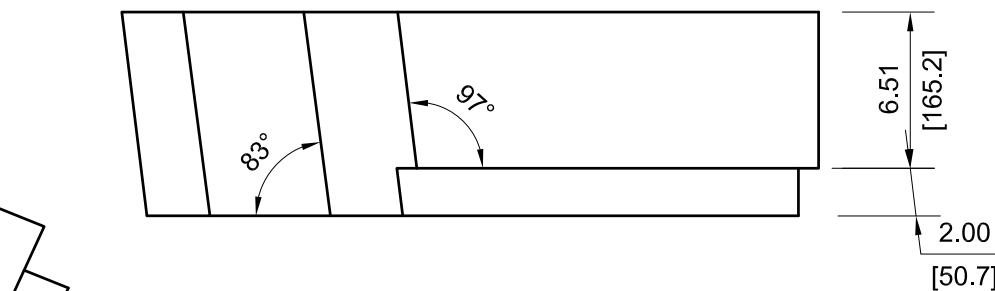


FWD

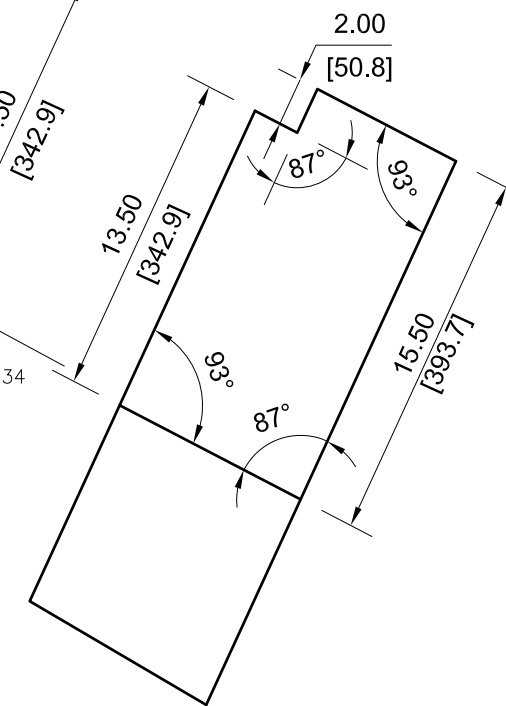
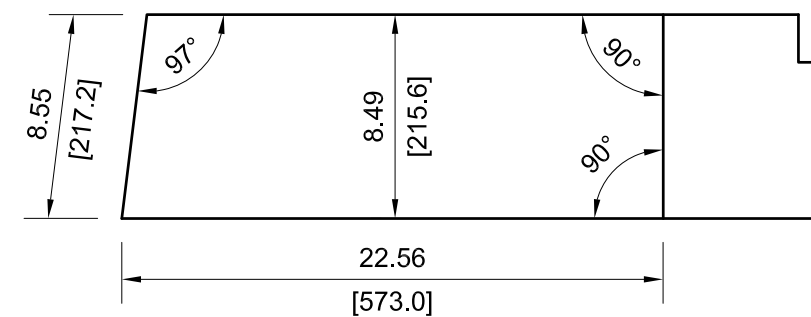


VIEW C5-34

C5-34 D4-34



E7-34 F7-34

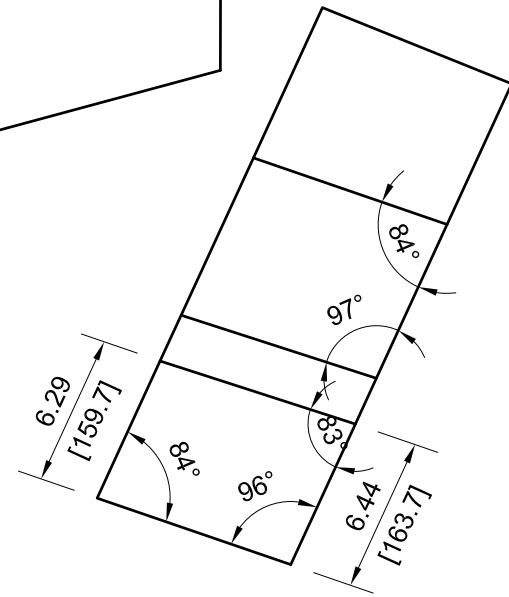
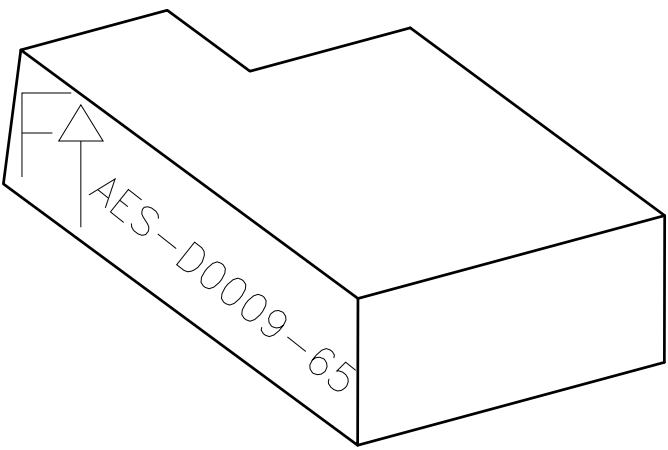


VIEW E7-34



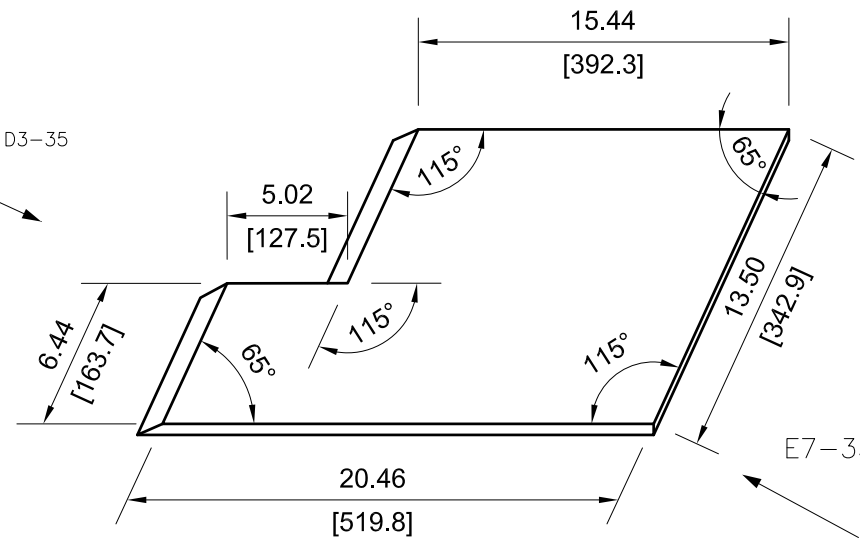
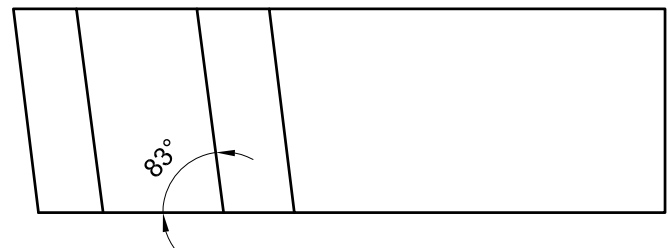
DRAWING NUMBER					AES-D0009	
SIZE	SCALE	SHEET	OF	REVISION		
A3	NONE	34	190	B		

65

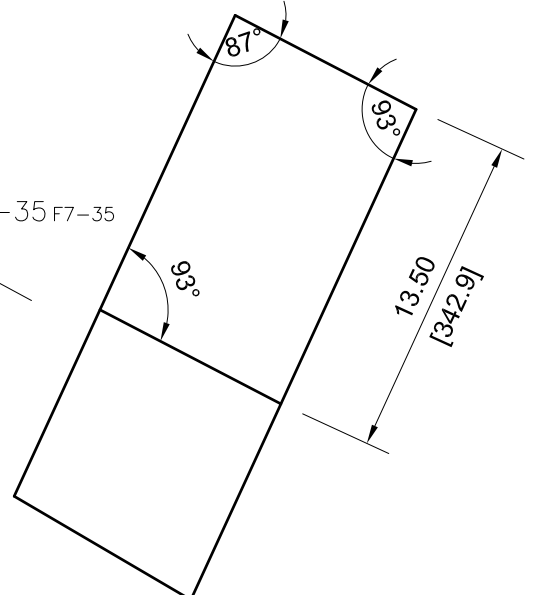


VIEW D4-35

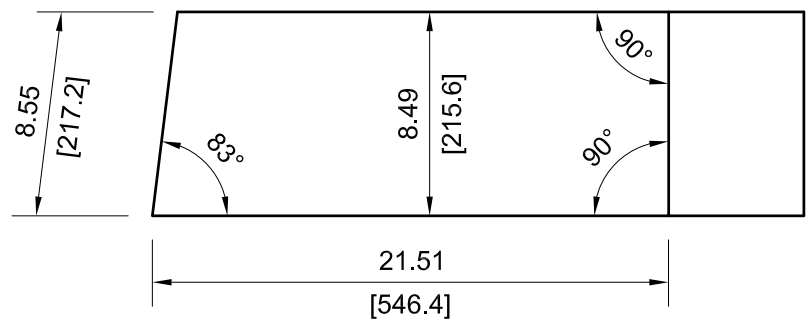
D4-35 D3-35



E7-35 F7-35

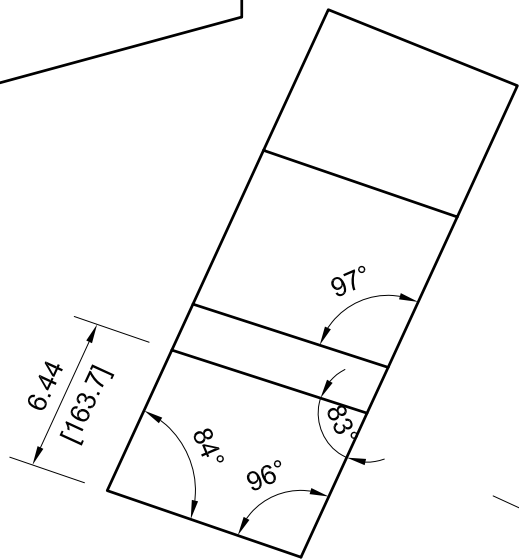
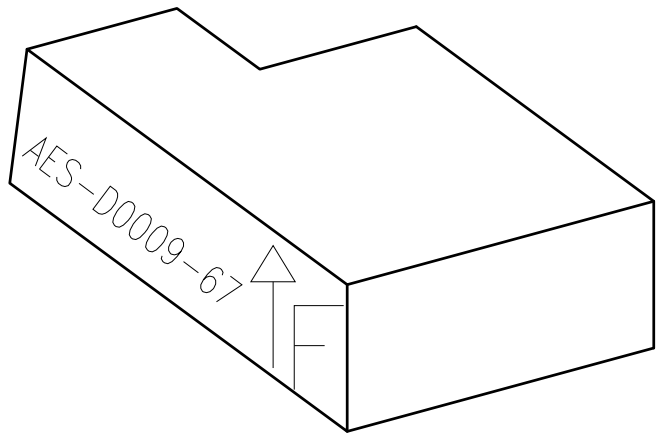


VIEW E7-35

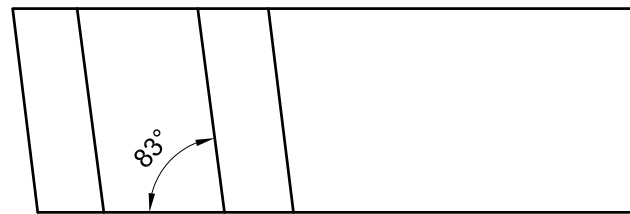


DRAWING NUMBER				
AES-D0009				
SIZE	SCALE	SHEET	OF	REVISION
A3	NONE	35	190	B

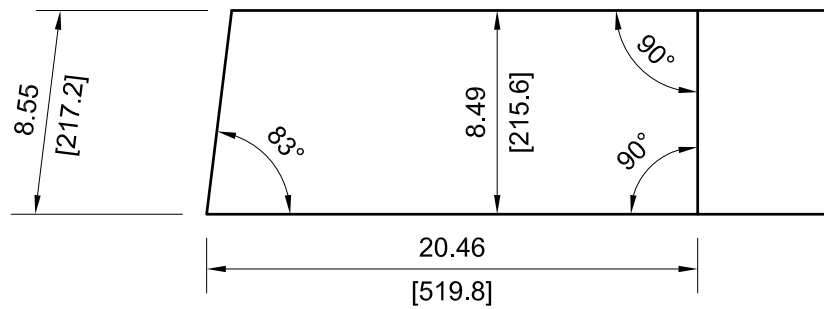
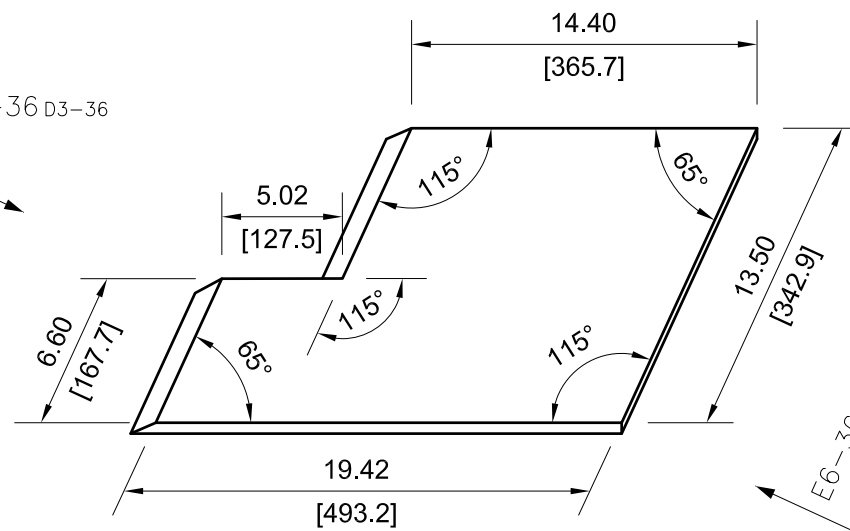
67



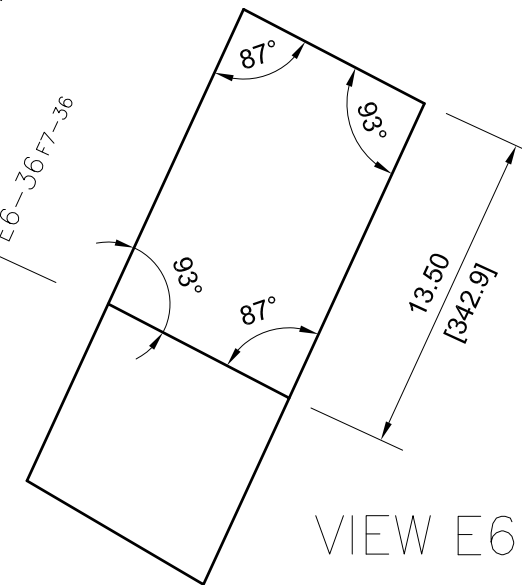
VIEW D4-36



D4-36 D3-36



E6-36 F7-36

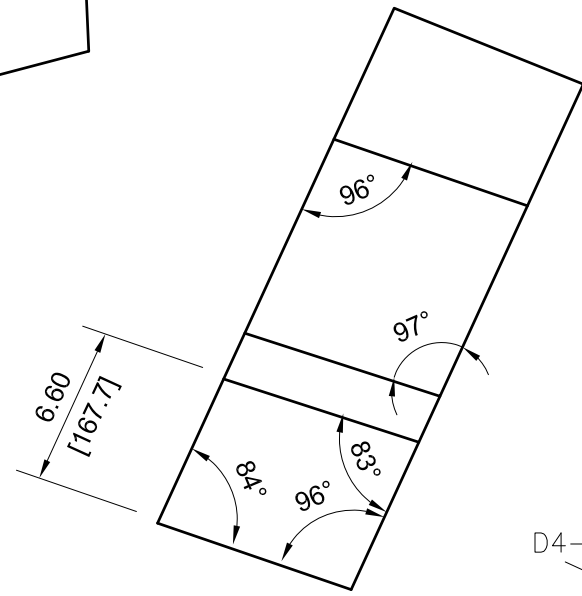
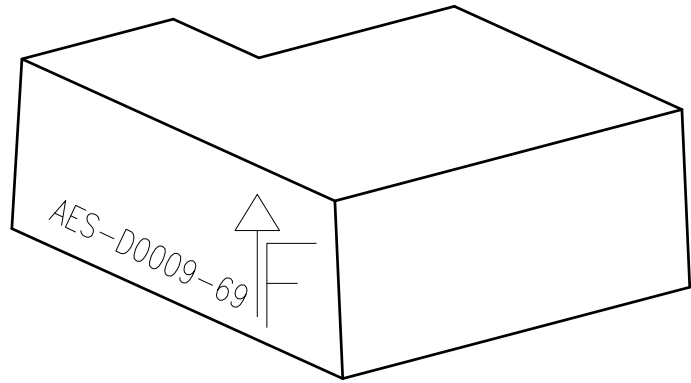


VIEW E6-36

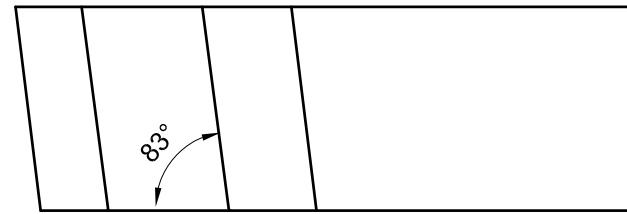


DRAWING NUMBER					AES-D0009				
SIZE	SCALE	SHEET	OF	REVISION					
A3	NONE	36	190	B					

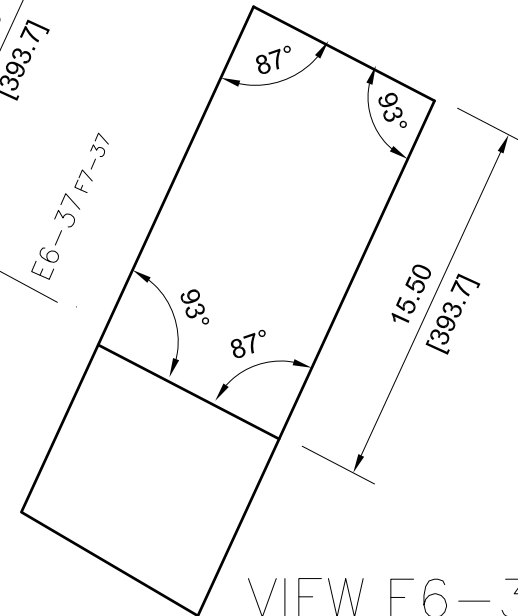
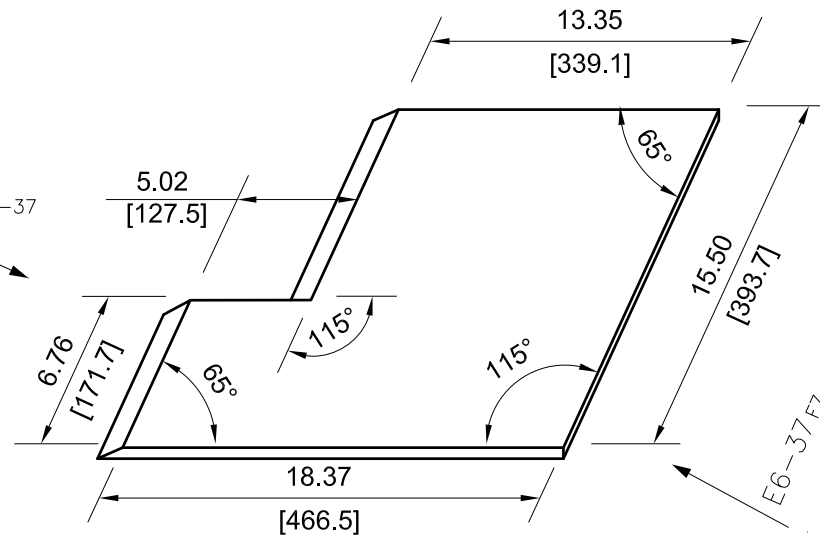
69



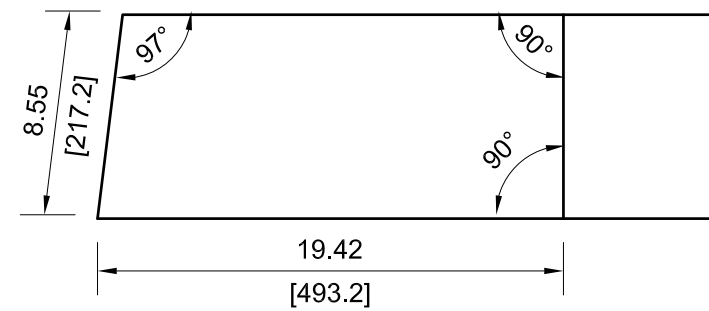
VIEW D4-37



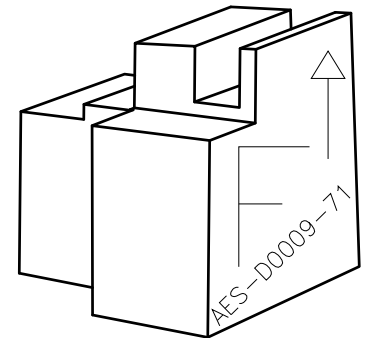
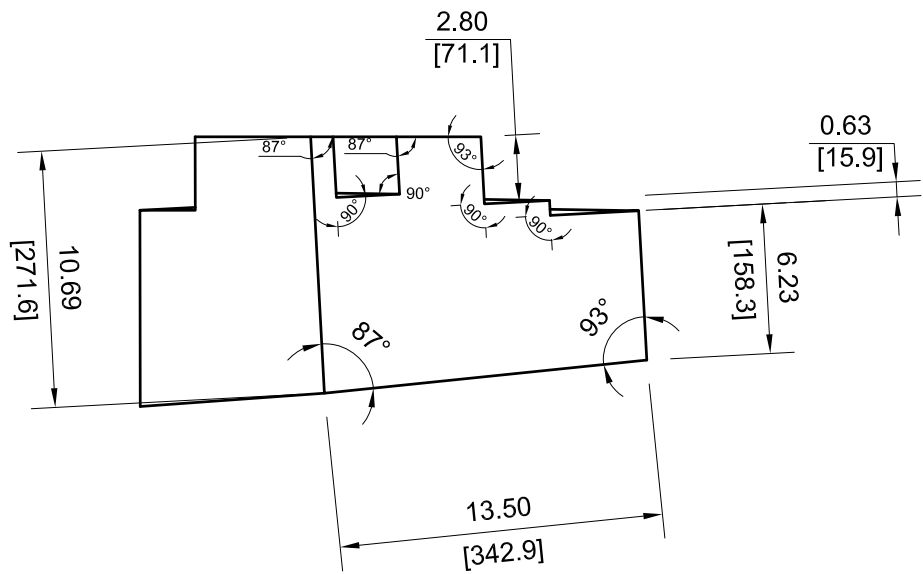
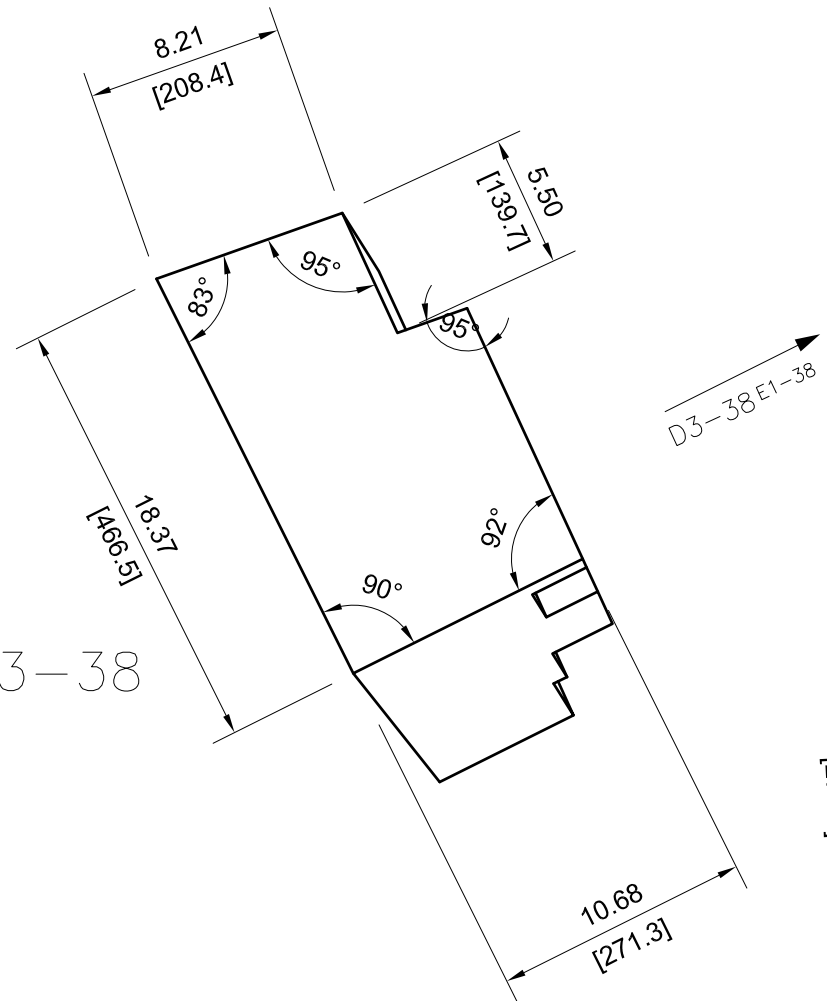
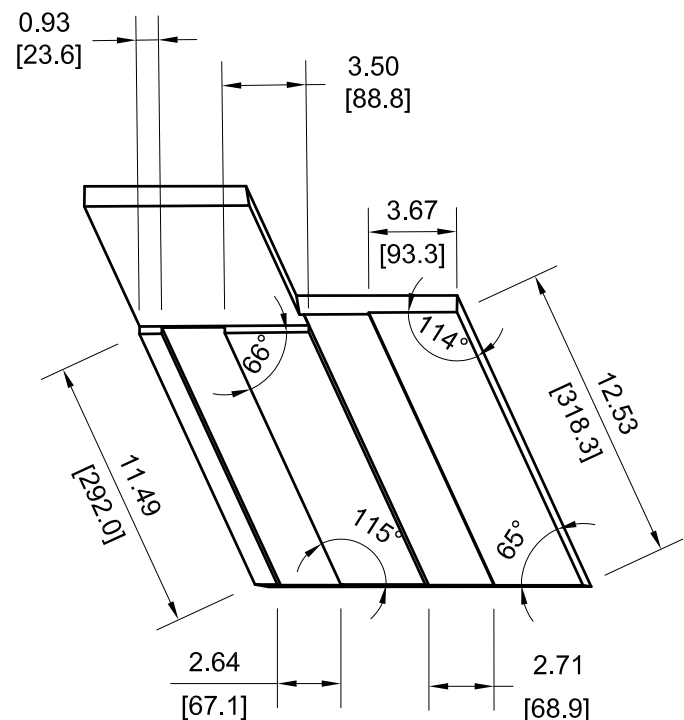
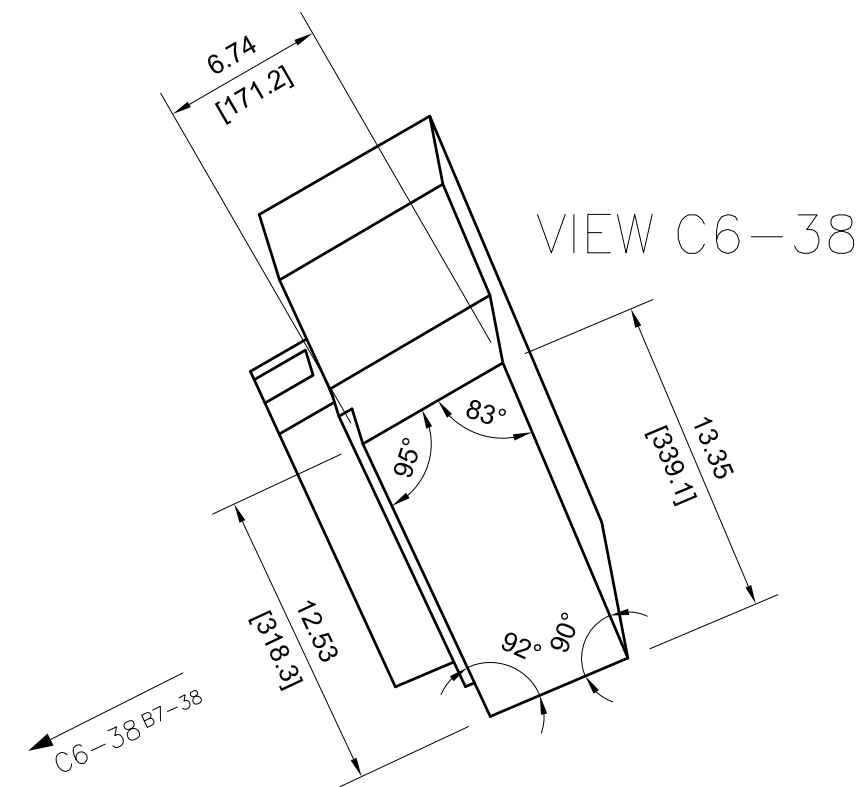
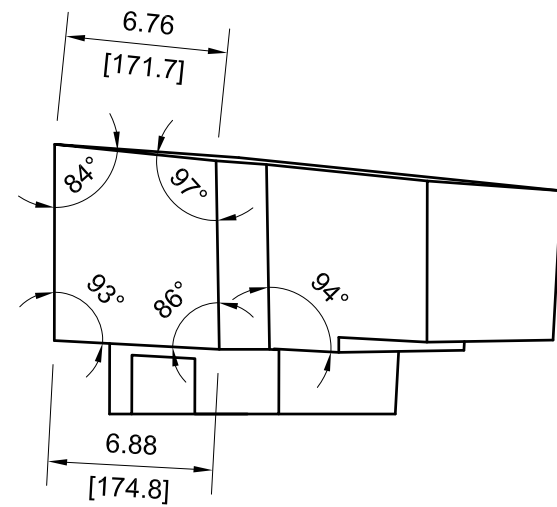
D4-37 D3-37



VIEW E6-37



DRAWING NUMBER					AES-D0009	
SIZE	SCALE	SHEET	OF	REVISION		
A3	NONE	37	190	B		



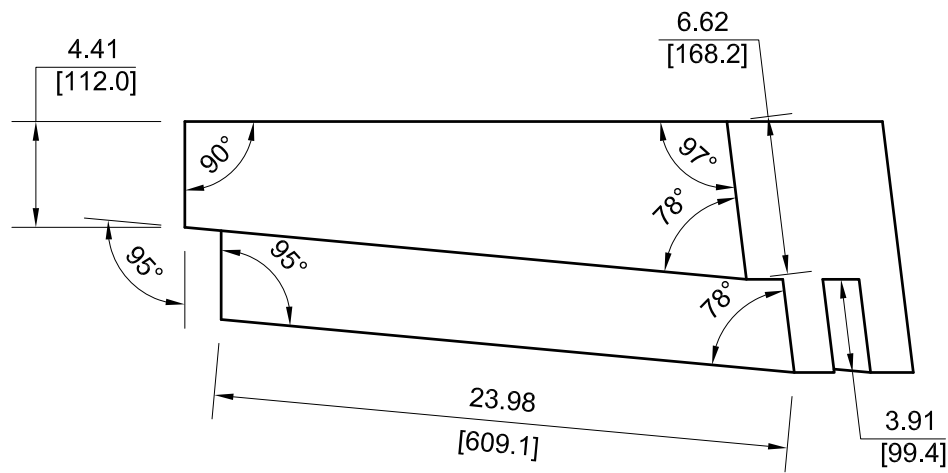
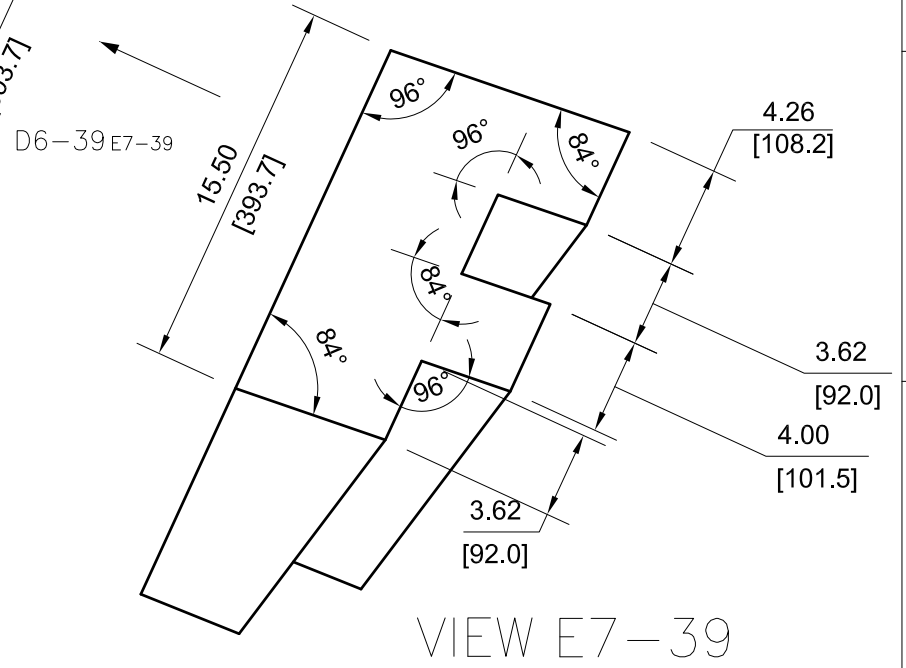
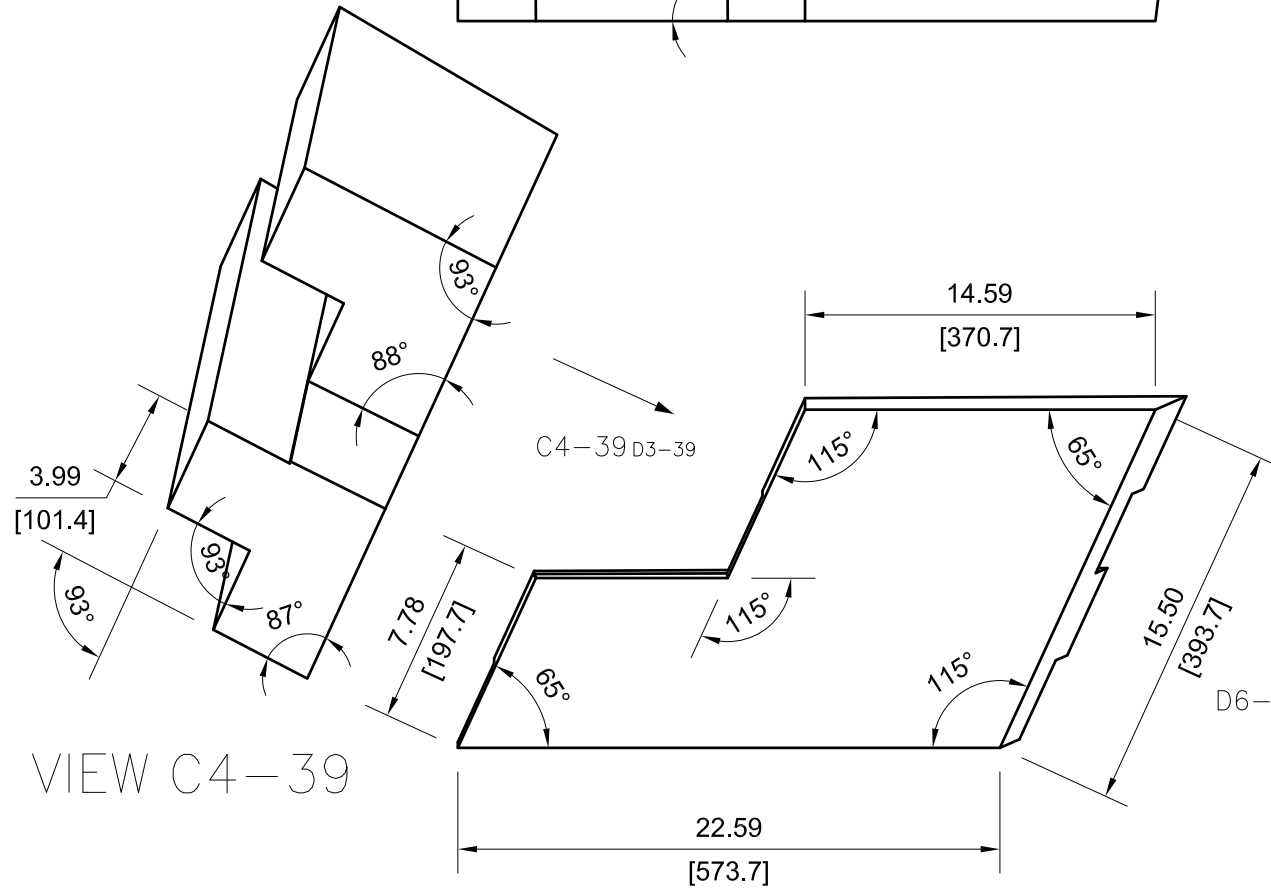
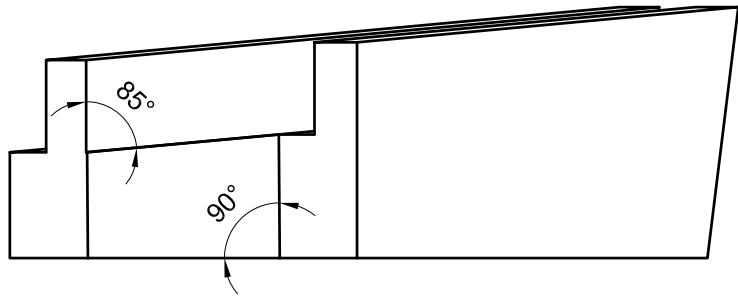
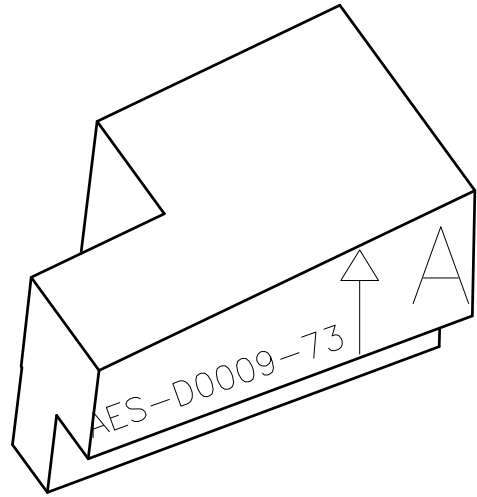
VIEW D3-38

VIEW C6-38



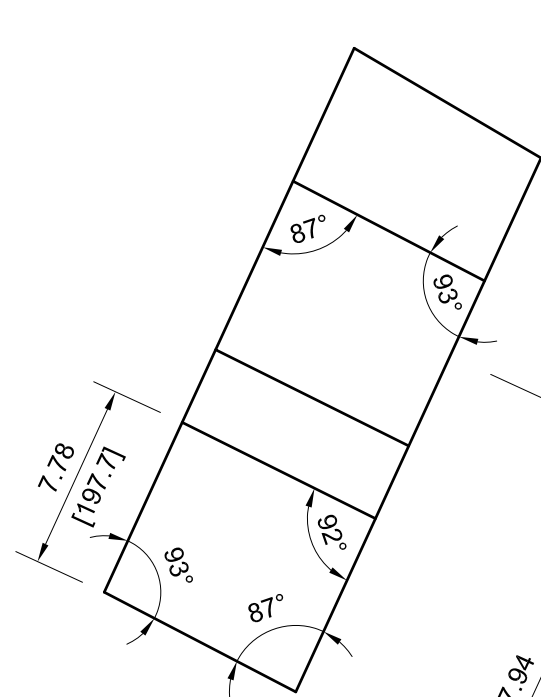
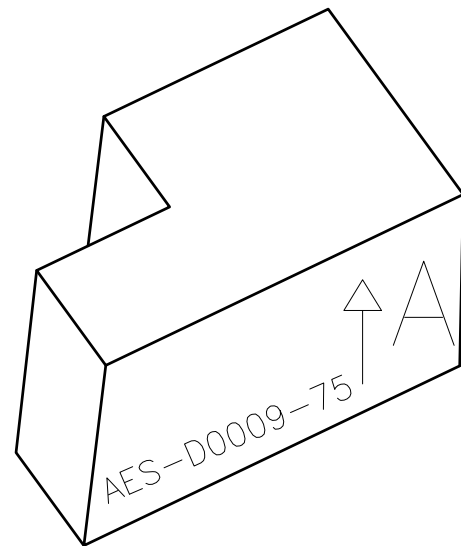
DRAWING NUMBER				
AES-D0009				
SIZE	SCALE	SHEET	OF	REVISION
A3	NONE	38	190	B

73

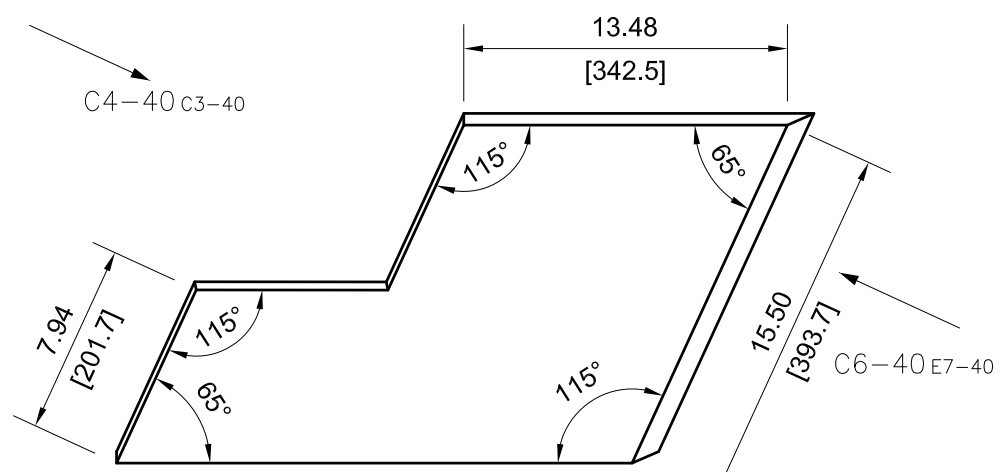
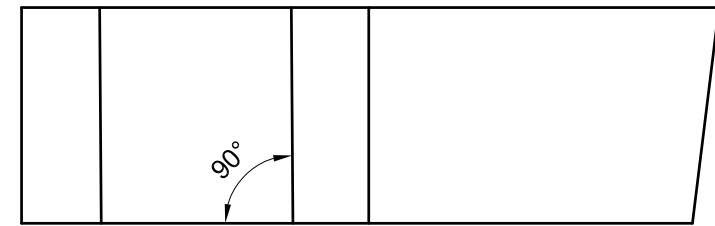


	DRAWING NUMBER				
	AES-D0009				
SIZE	SCALE	SHEET	OF	REVISION	
A3	NONE	39	190	B	

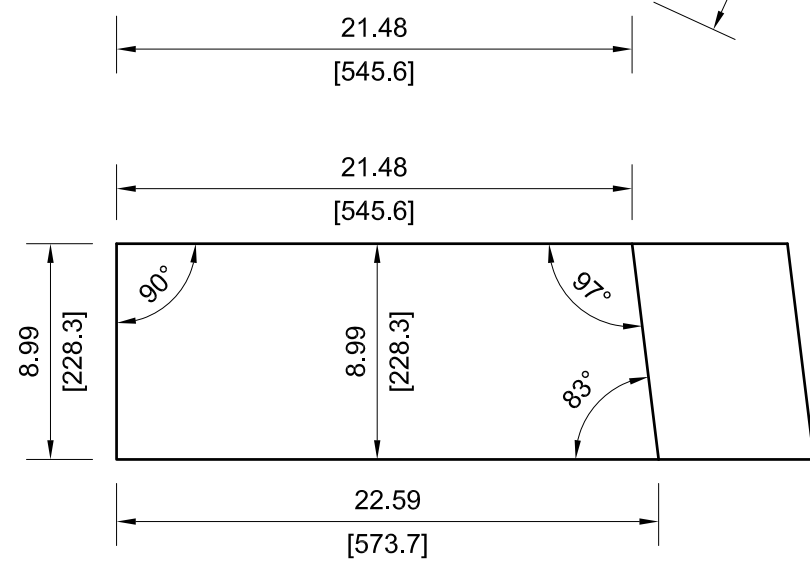
-75



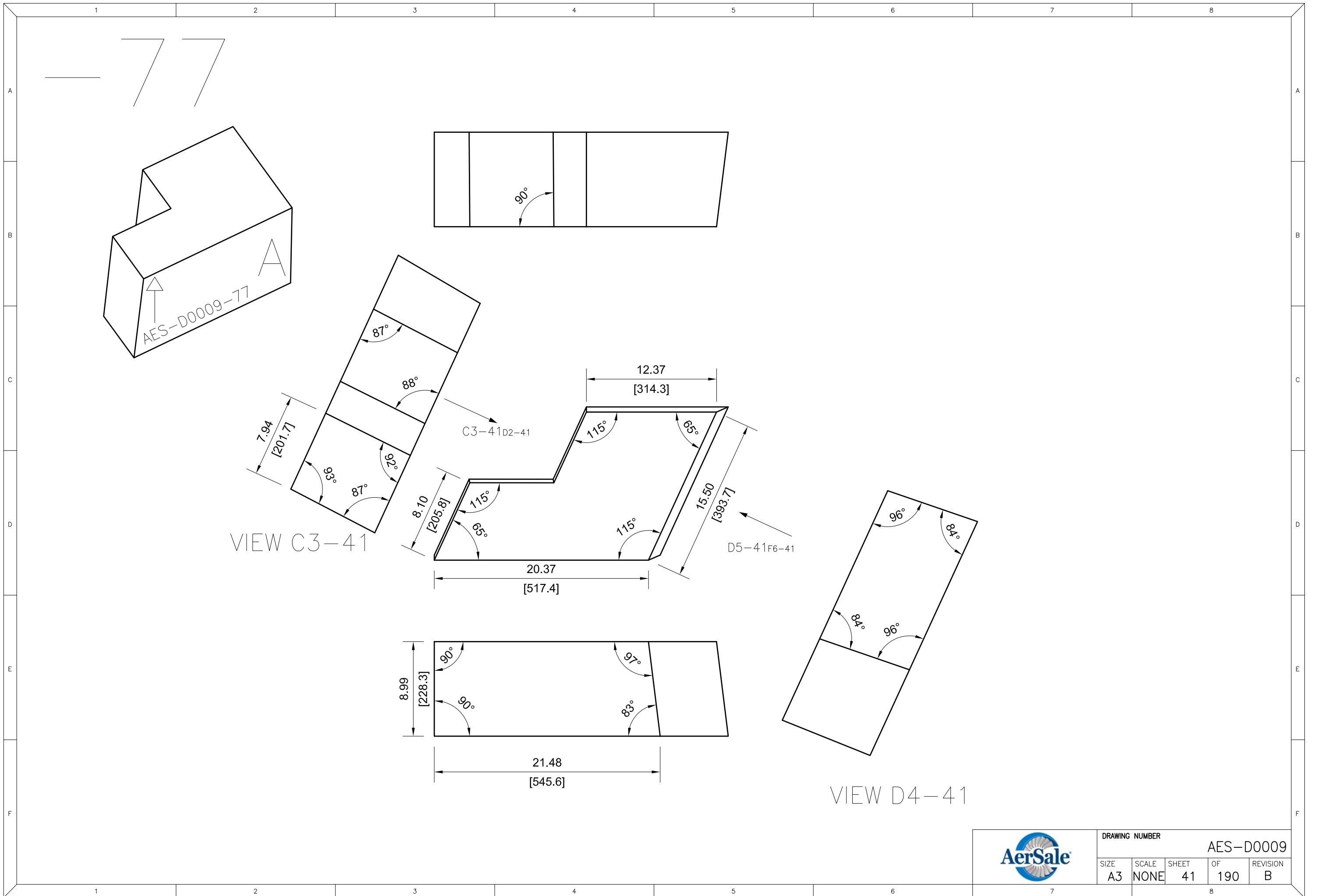
VIEW C4-40



VIEW C6-40

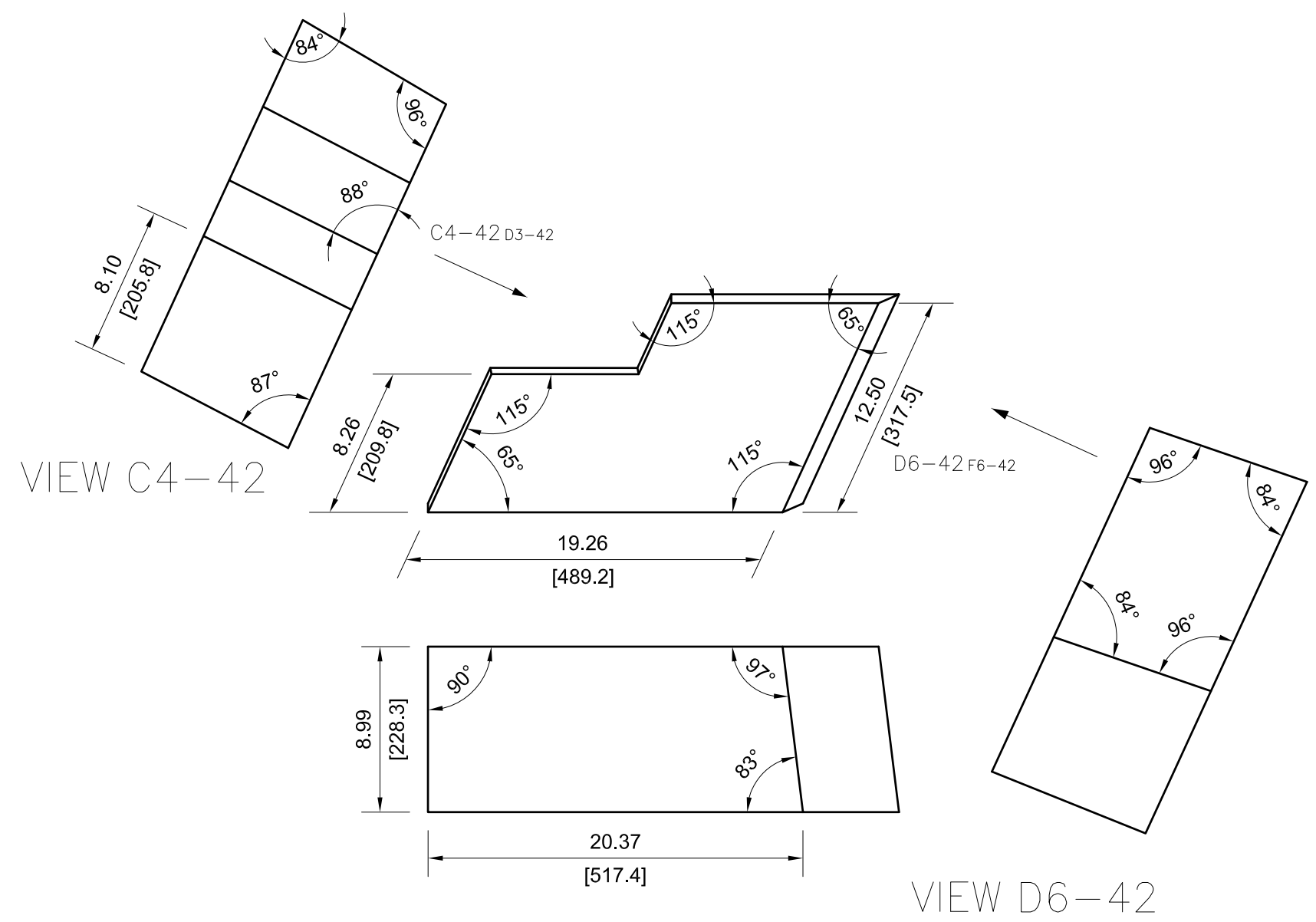
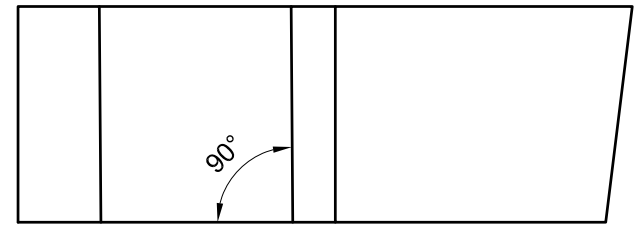
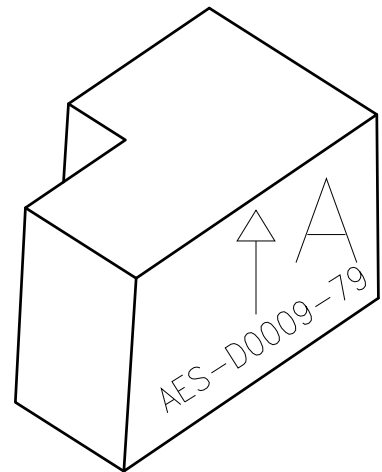


DRAWING NUMBER				
AES-D0009				
SIZE	SCALE	SHEET	OF	REVISION
A3	NONE	40	190	B



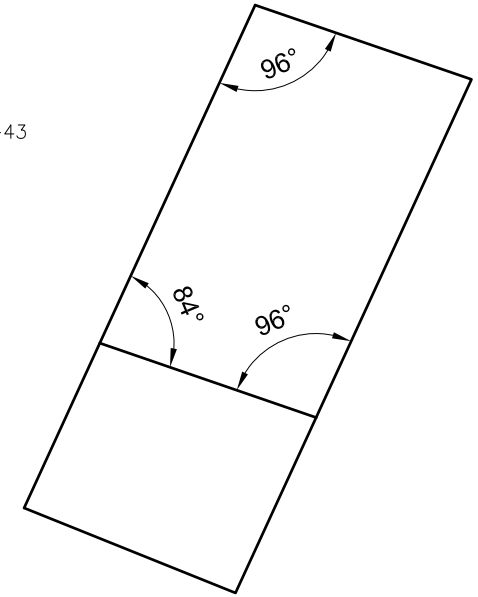
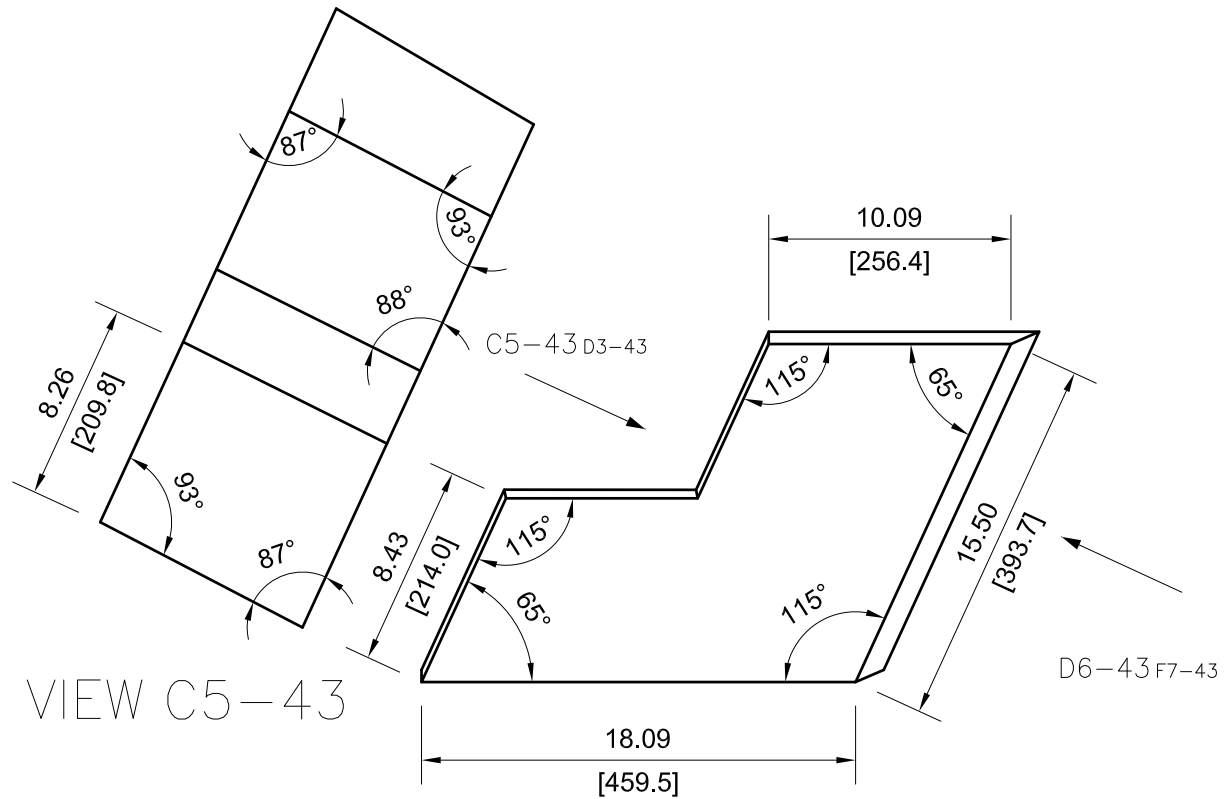
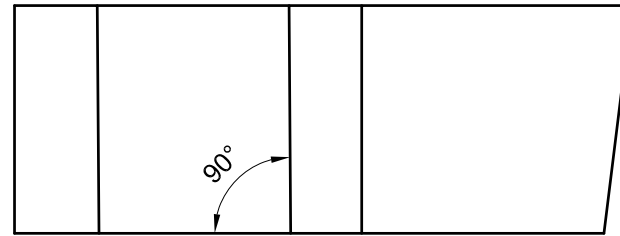
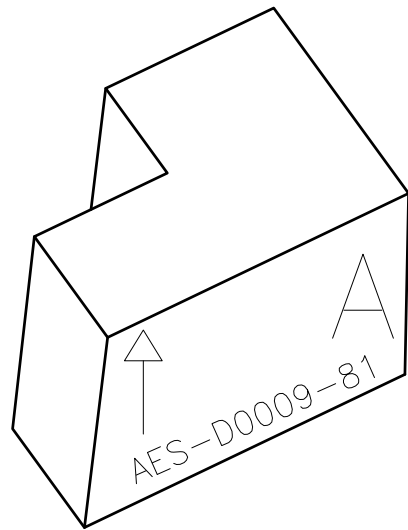
DRAWING NUMBER					AES-D0009				
SIZE	SCALE	SHEET	OF	REVISION					
A3	NONE	41	190	B					

79

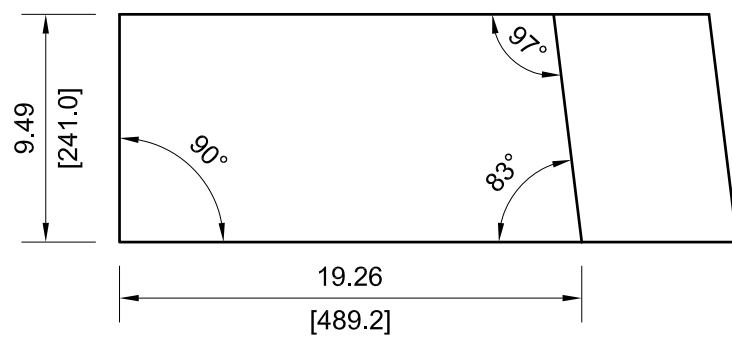


DRAWING NUMBER				
AES-D0009				
SIZE	SCALE	SHEET	OF	REVISION
A3	NONE	42	190	B

— 81

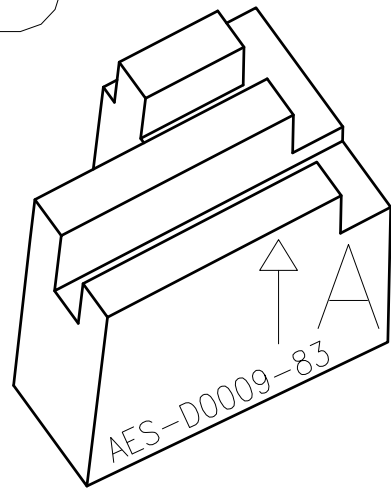


VIEW D6-43

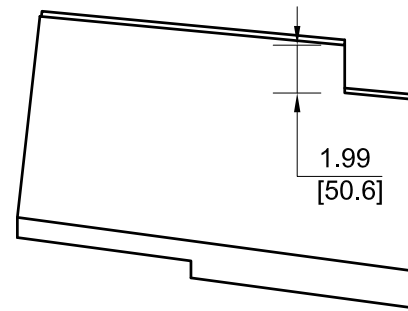


DRAWING NUMBER					AES-D0009	
SIZE	SCALE	SHEET	OF	REVISION		
A3	NONE	43	190	B		

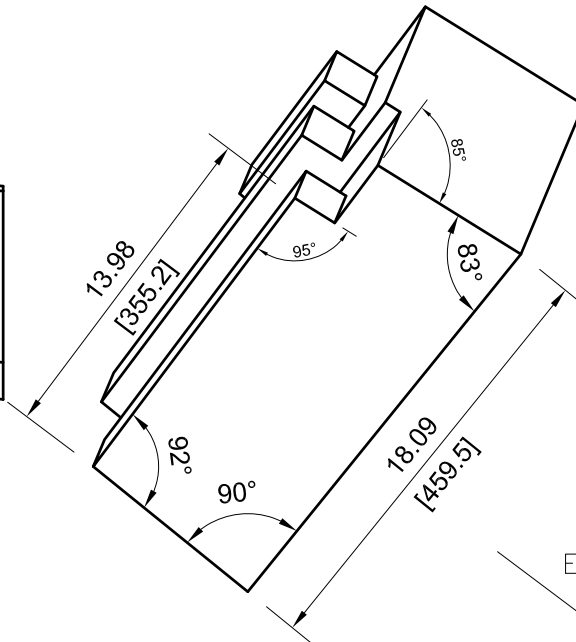
83



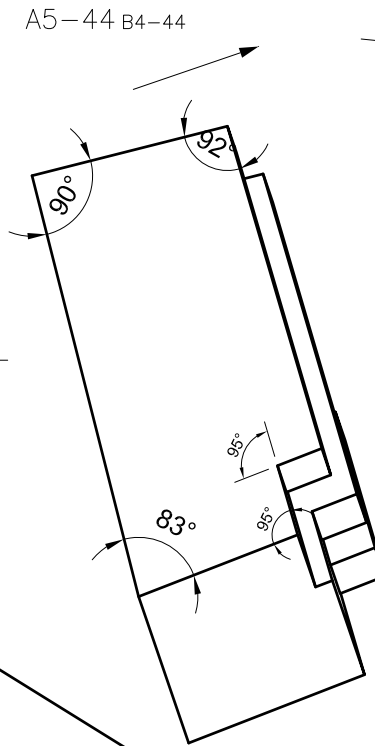
VIEW A5-44



VIEW E5-44

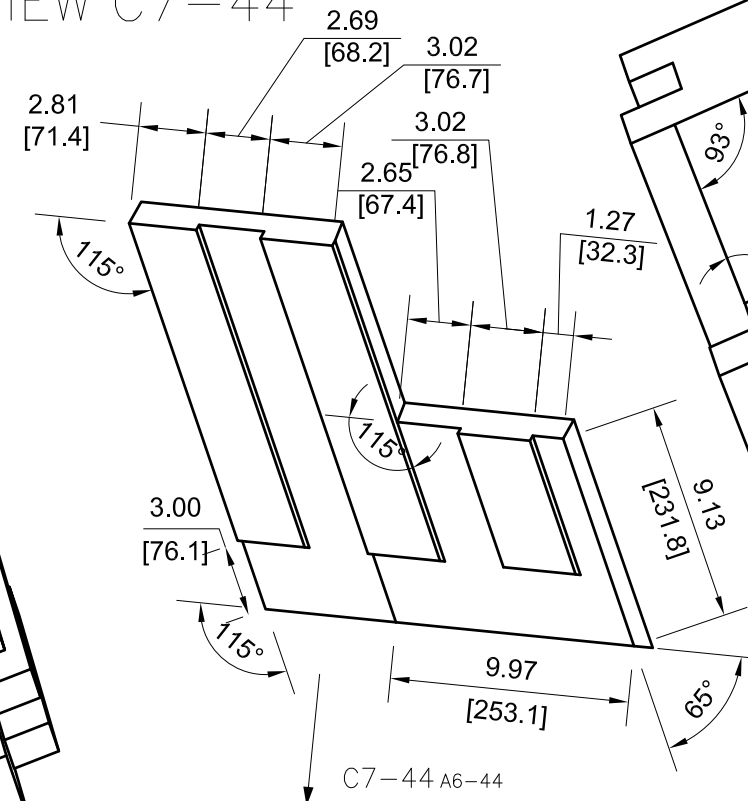


E5-44 E4-44



A5-44 B4-44

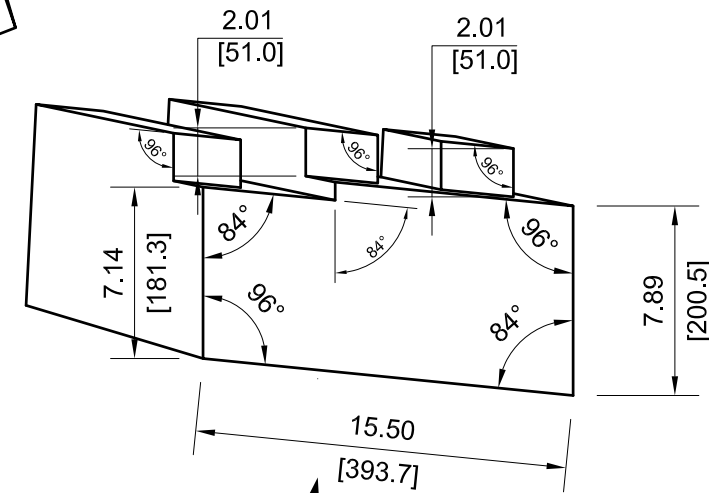
VIEW C7-44



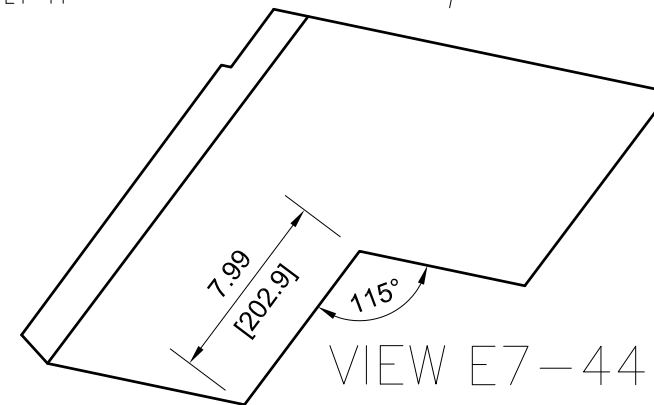
C7-44 A6-44



C8-44 A8-44



E7-44 F6-44

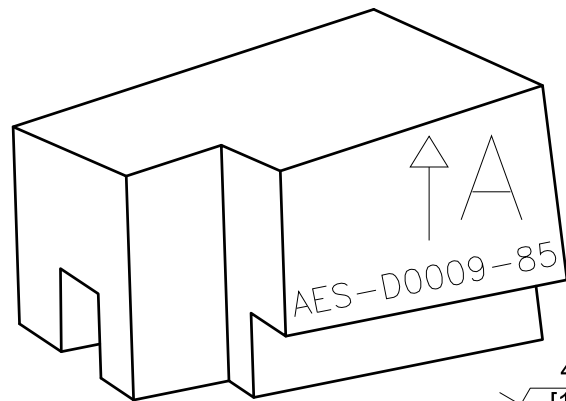


VIEW E7-44

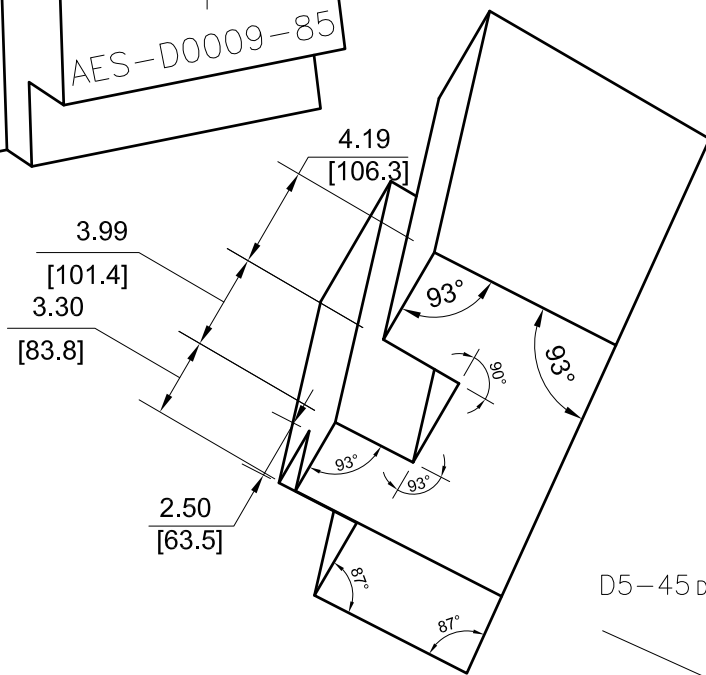
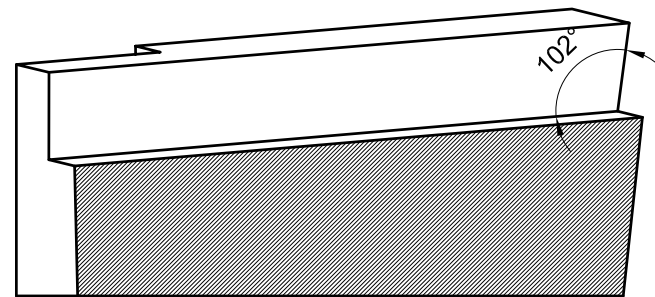


DRAWING NUMBER				
AES-D0009				
SIZE	SCALE	SHEET	OF	REVISION
A3	NONE	44	190	B

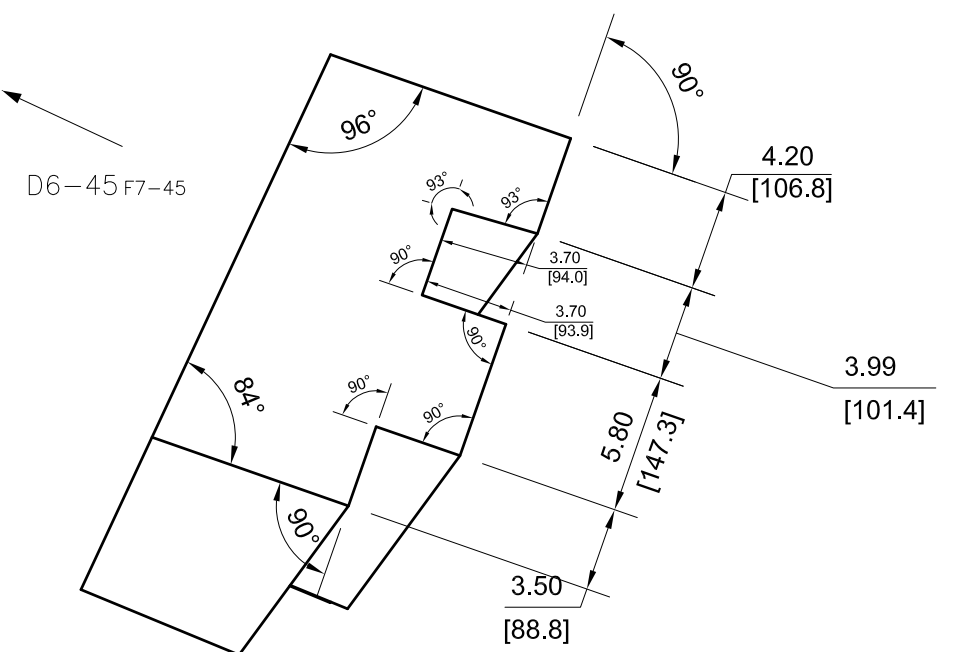
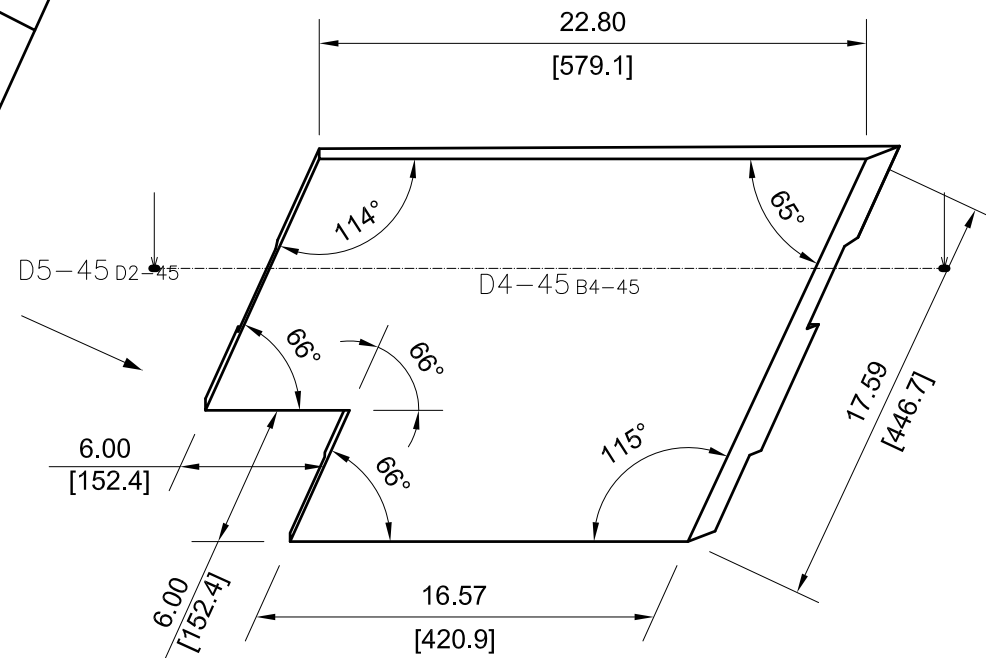
— 85



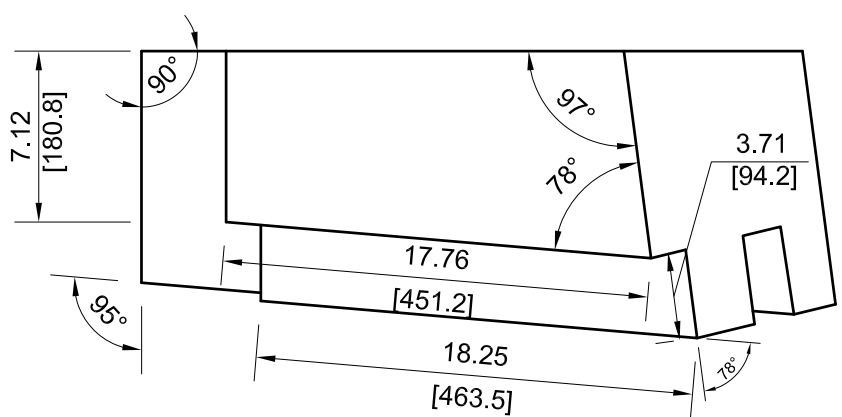
SECTION VIEW D4-45



VIEW D5-45

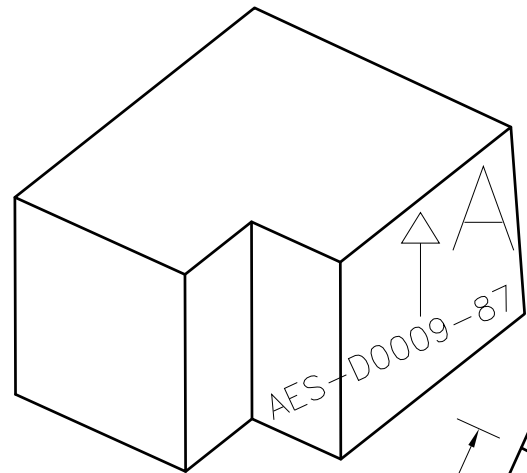


VIEW D6-45

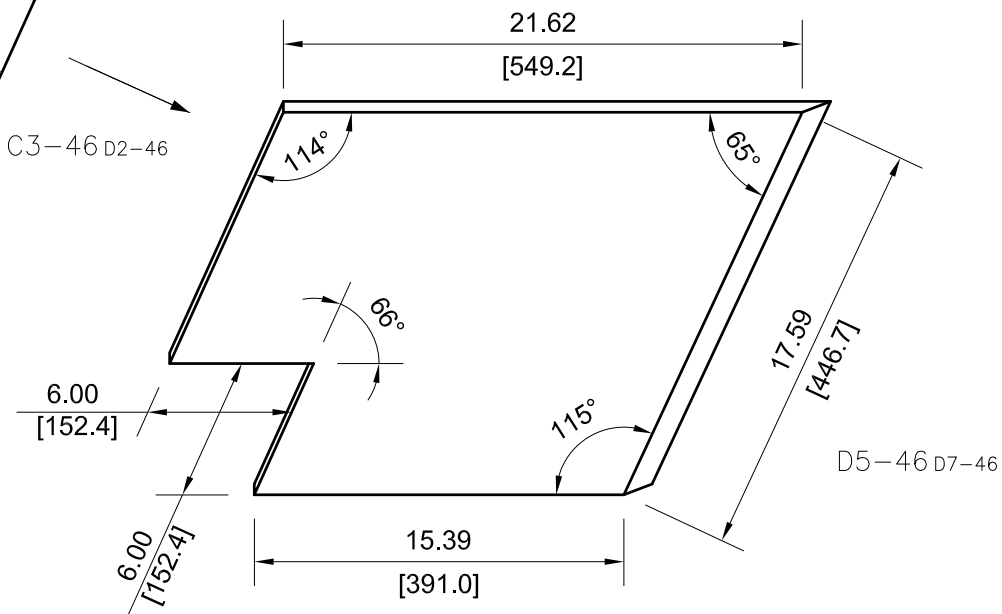
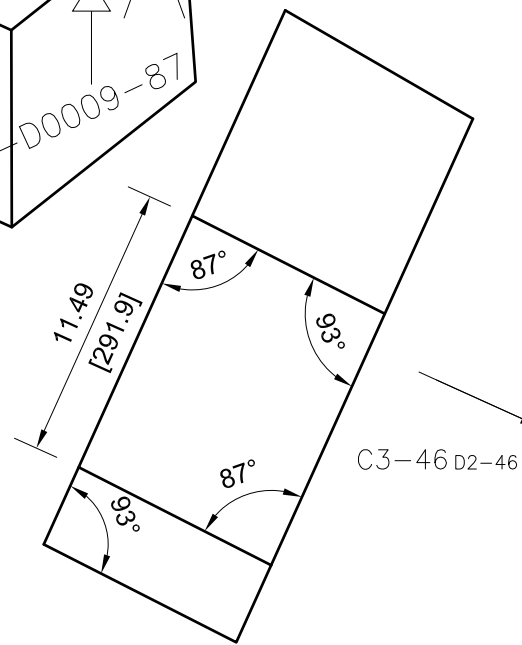


	DRAWING NUMBER				
	AES-D0009				
SIZE	SCALE	SHEET	OF	REVISION	
A3	NONE	45	190	B	

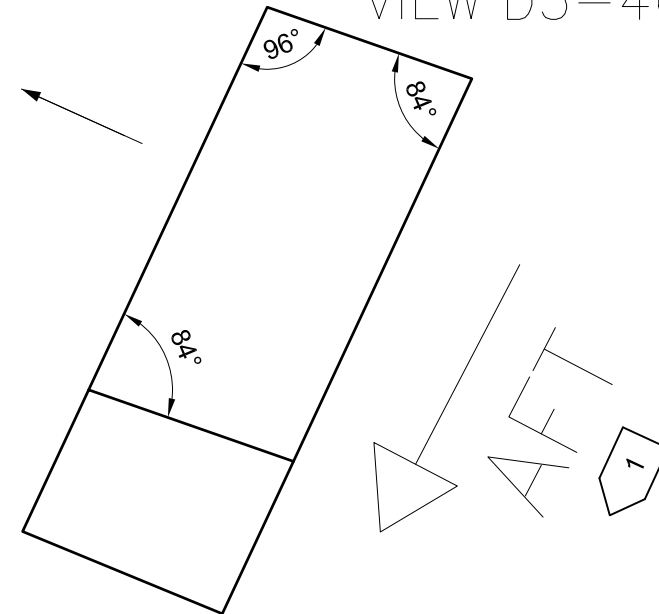
87



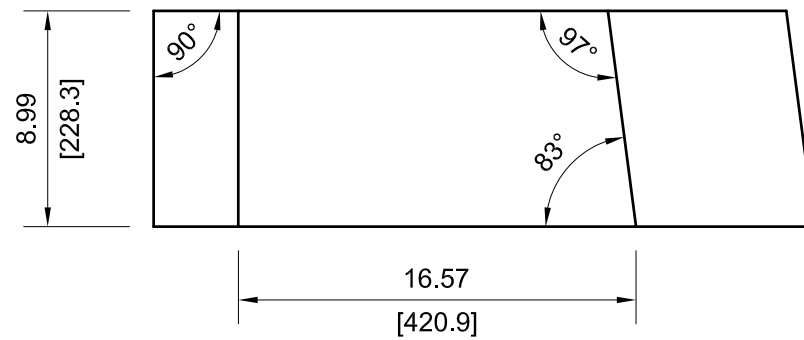
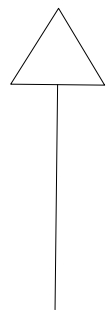
VIEW C3-46



VIEW D5-46



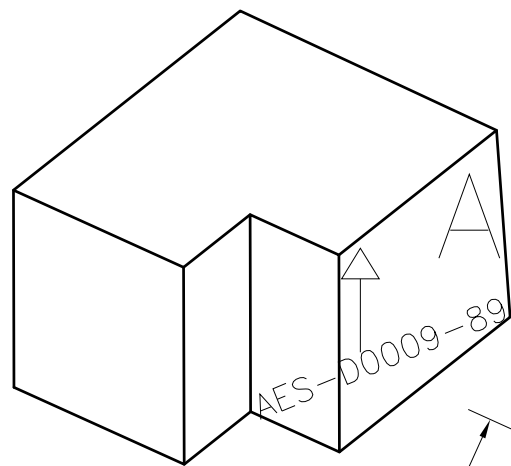
UP
1



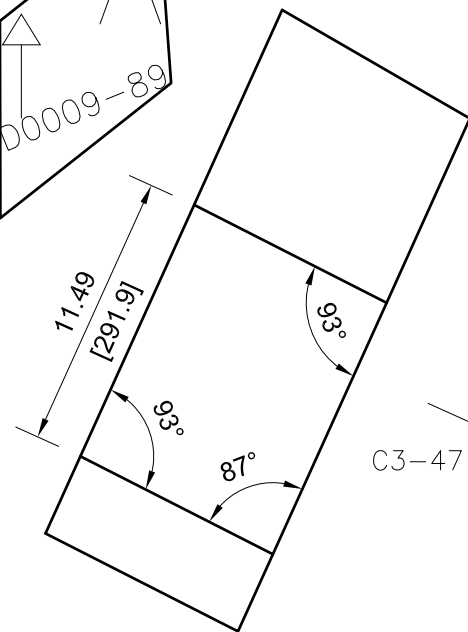
DRAWING NUMBER					AES-D0009	
SIZE	SCALE	SHEET	OF	REVISION		
A3	NONE	46	190	B		

1 2 3 4 5 6 7 8

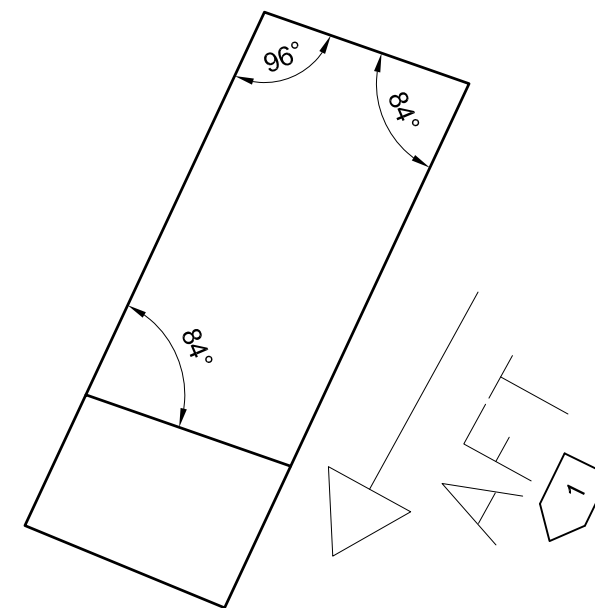
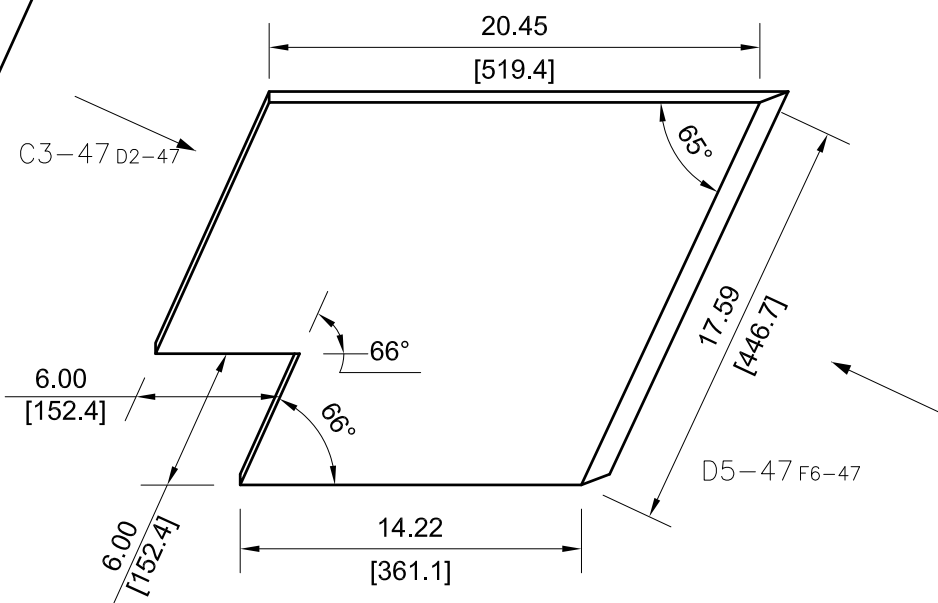
A
B
C
D
E
F



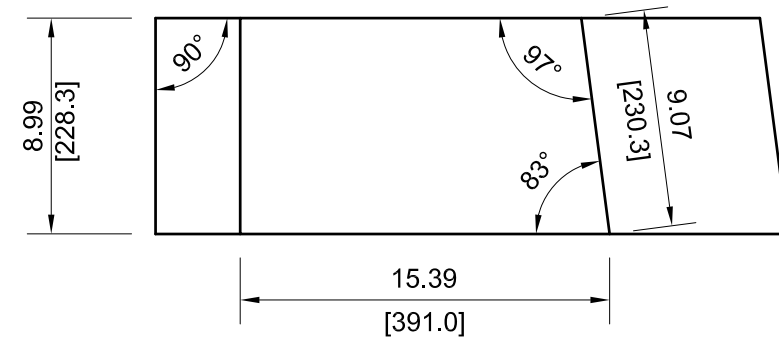
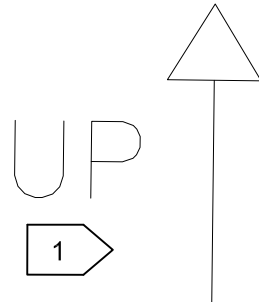
89



VIEW C3-47

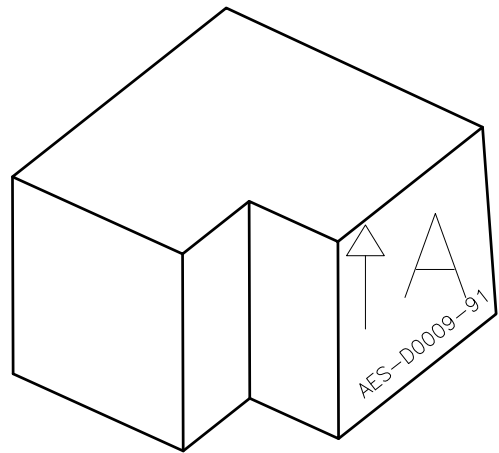


VIEW D5-47

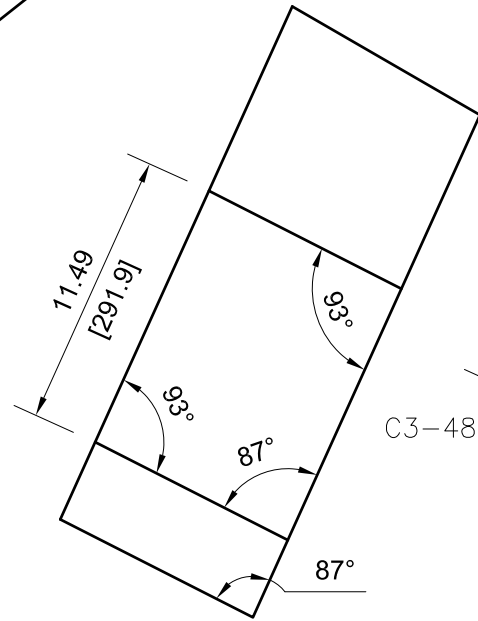


DRAWING NUMBER				
AES-D0009				
SIZE	SCALE	SHEET	OF	REVISION
A3	NONE	47	190	B

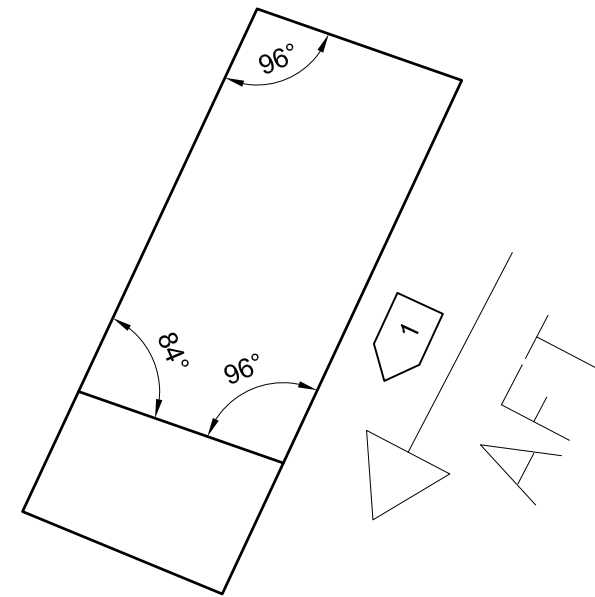
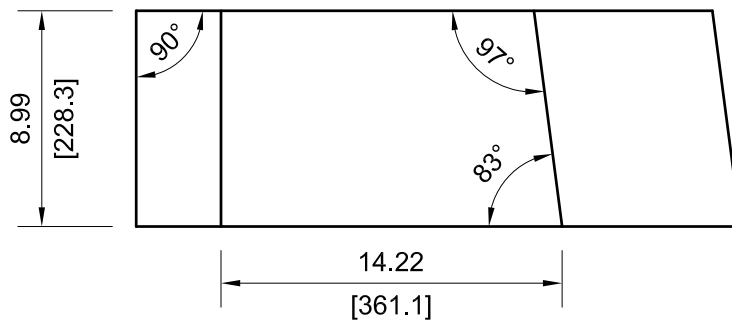
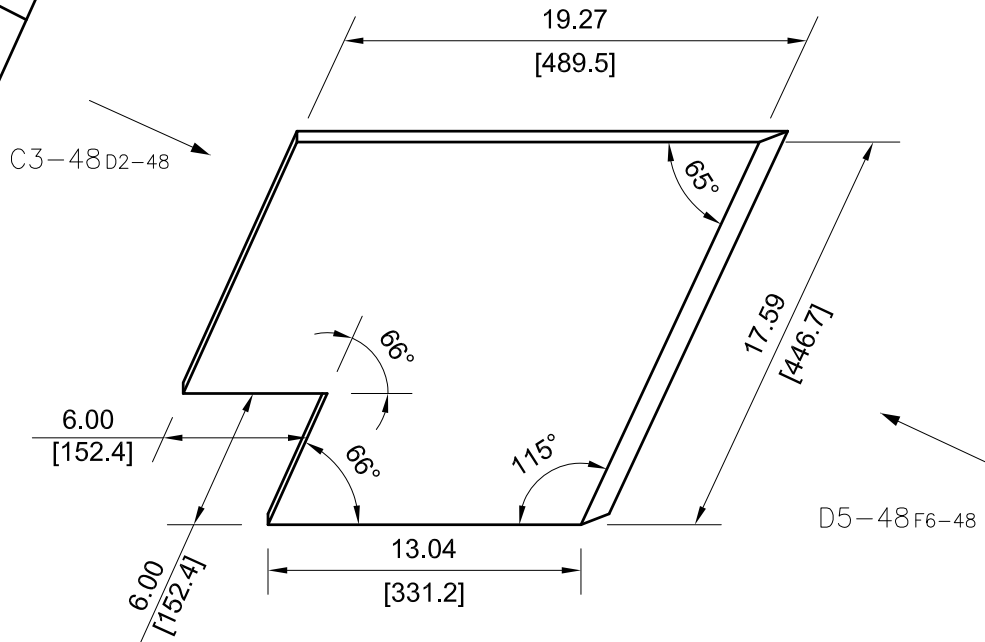
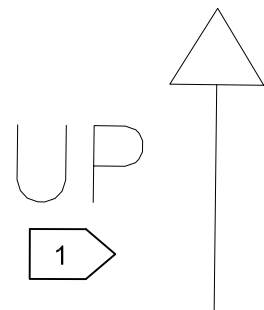
1 2 3 4 5 6 7 8



— 91



VIEW C3-48

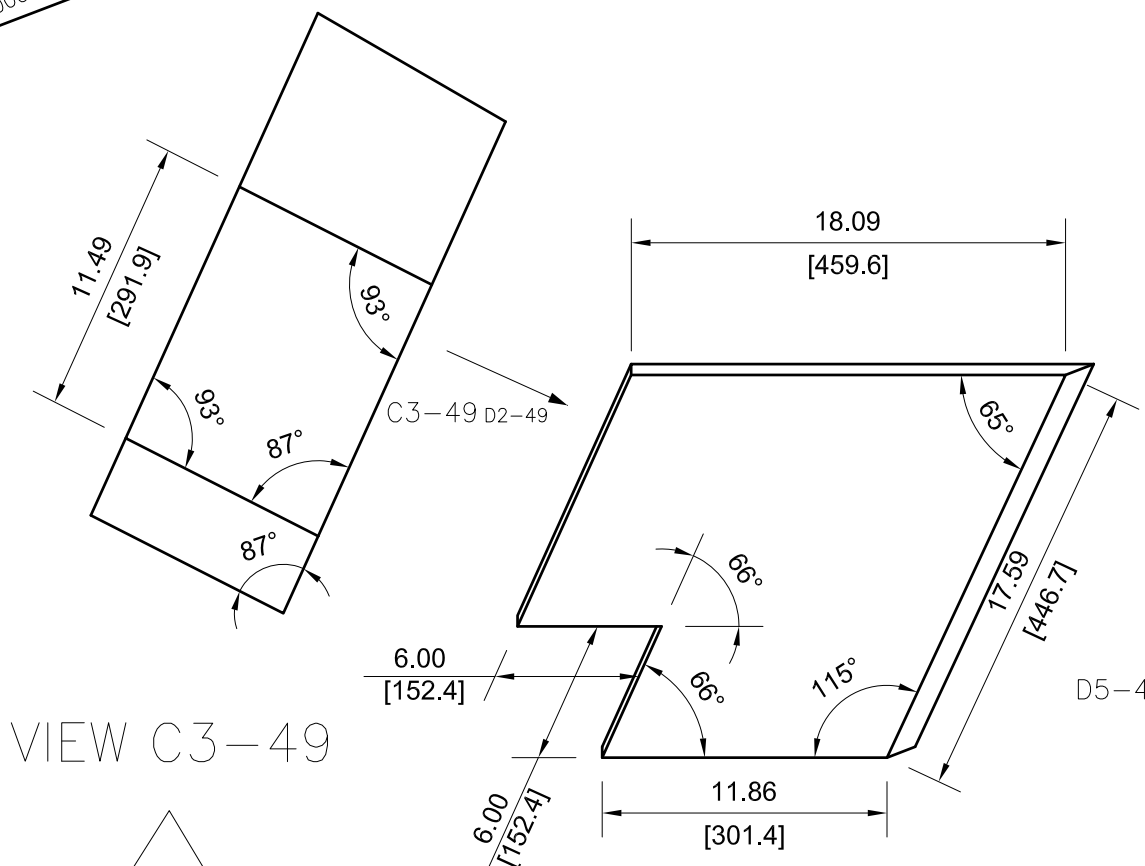
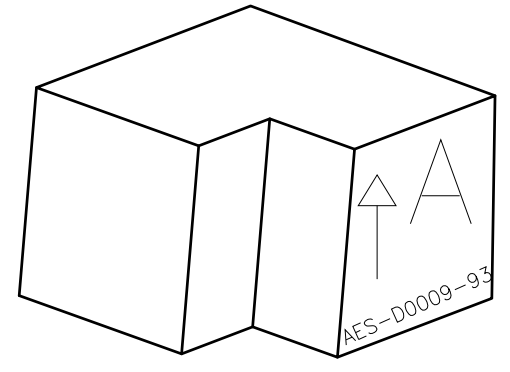


VIEW D5-48

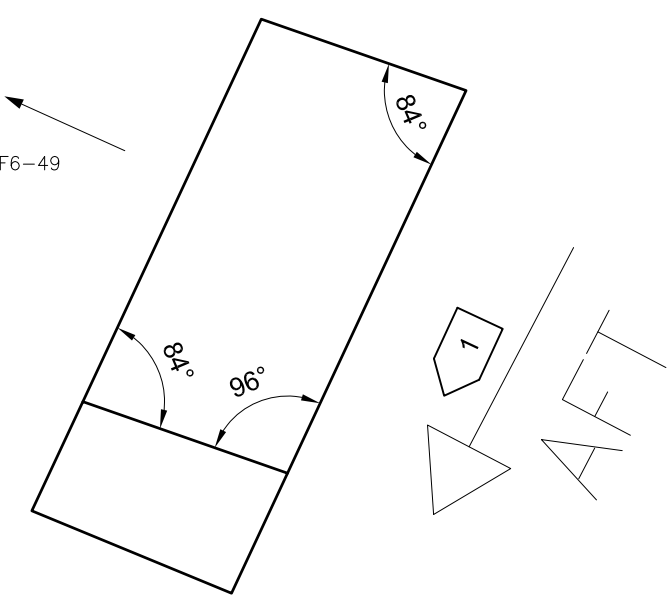
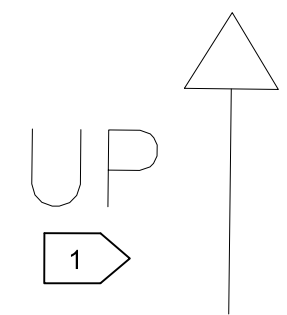


DRAWING NUMBER					AES-D0009	
SIZE	SCALE	SHEET	OF	REVISION		
A3	NONE	48	190	B		

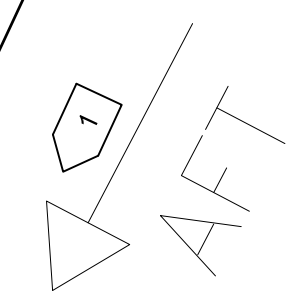
— 93



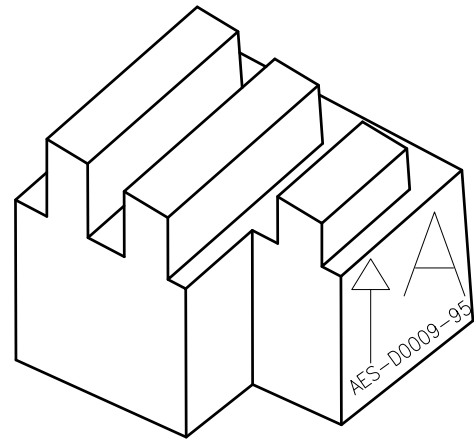
VIEW C3-49



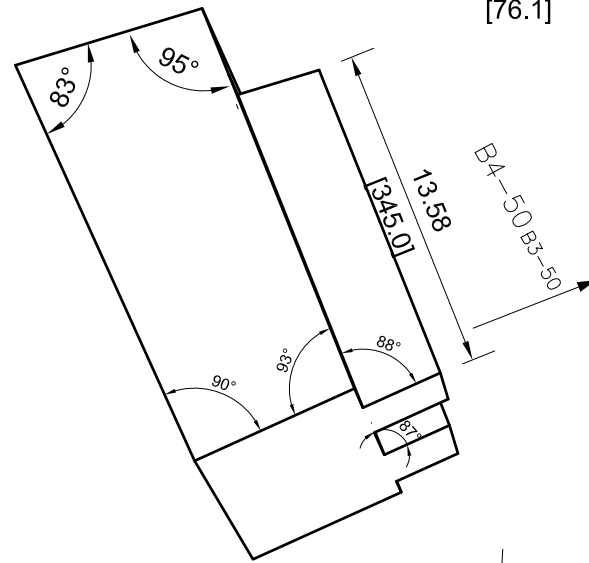
VIEW D5-49



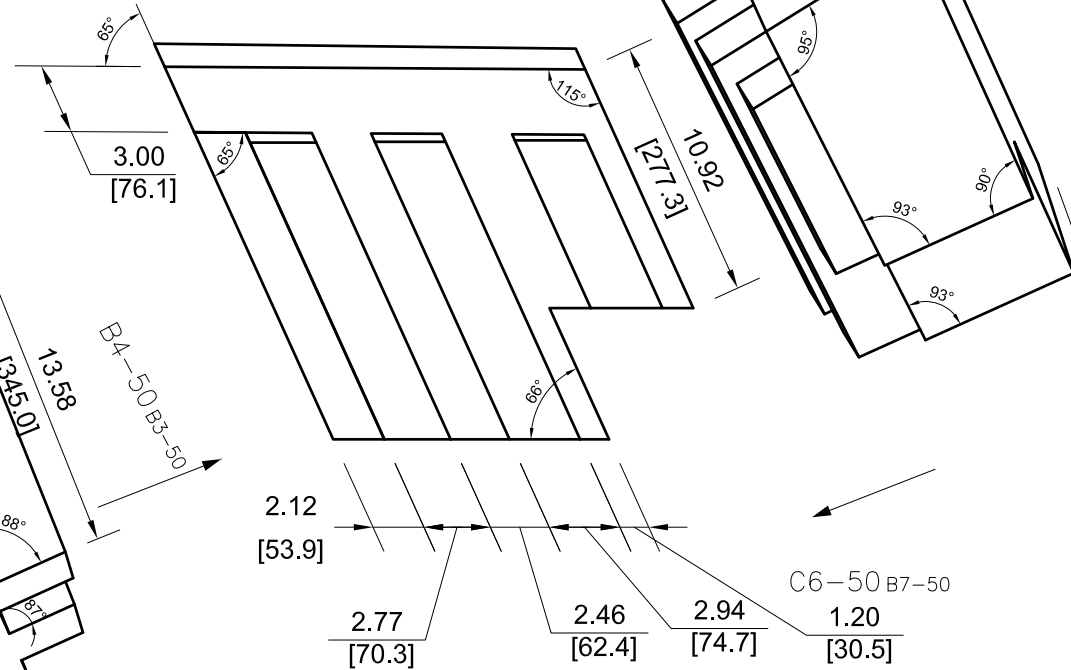
DRAWING NUMBER				
AES-D0009				
SIZE	SCALE	SHEET	OF	REVISION
A3	NONE	49	190	B



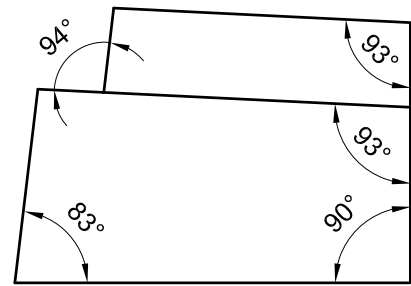
VIEW B4-50



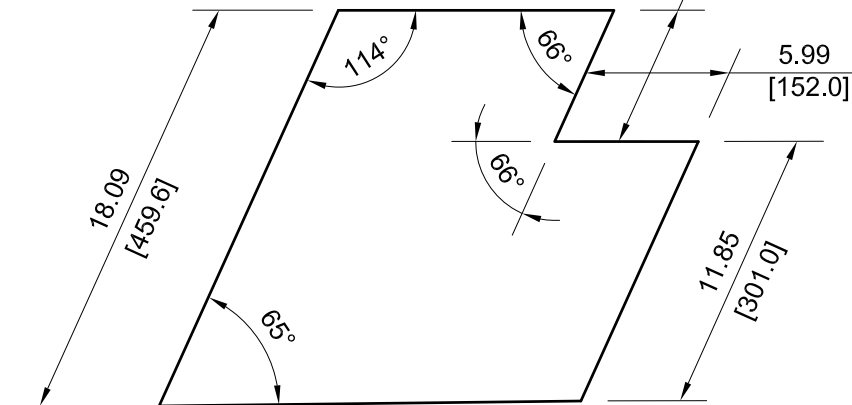
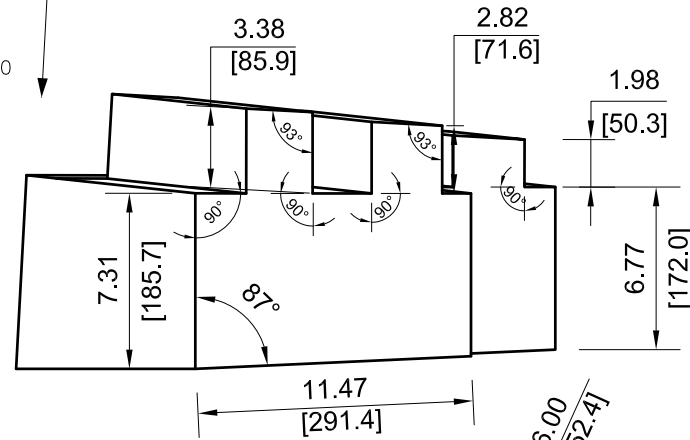
VIEW D4-50



VIEW C6-50



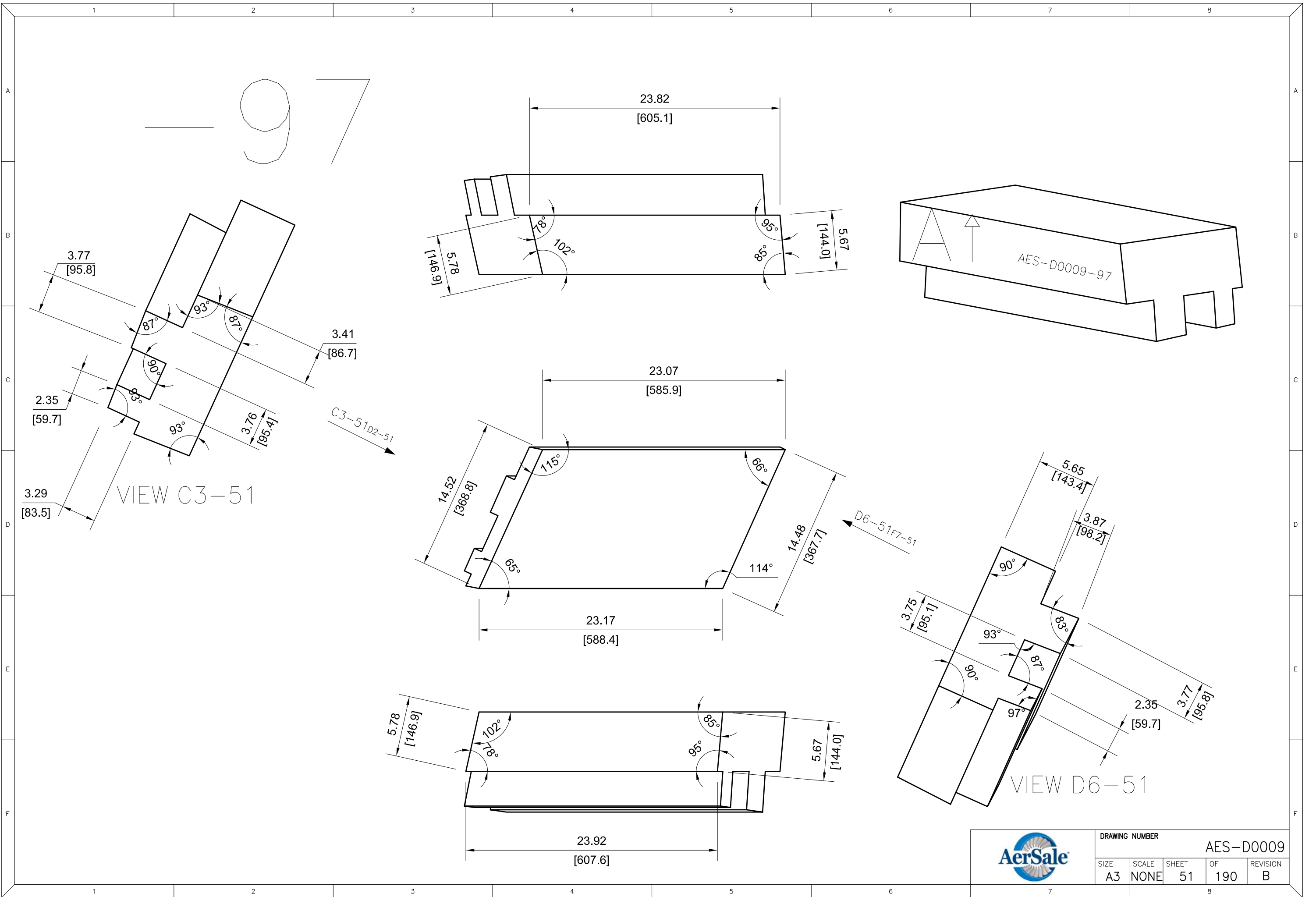
D4-50 A5-50




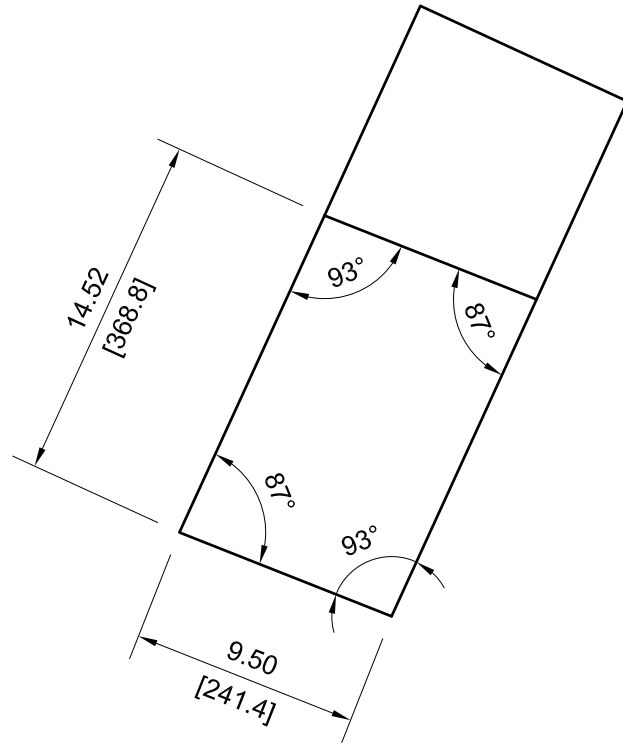
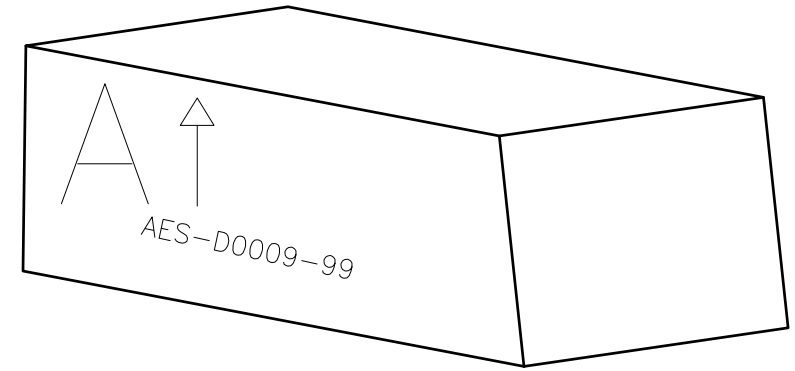
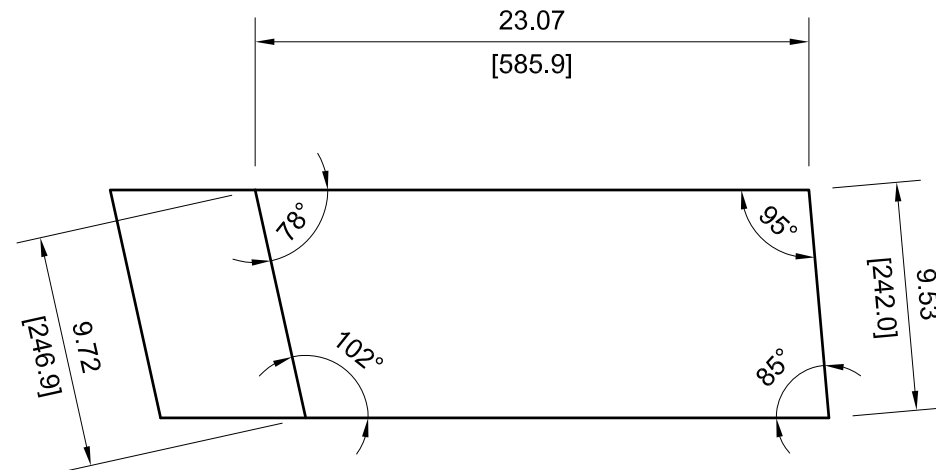
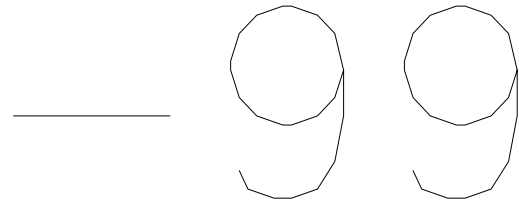
95



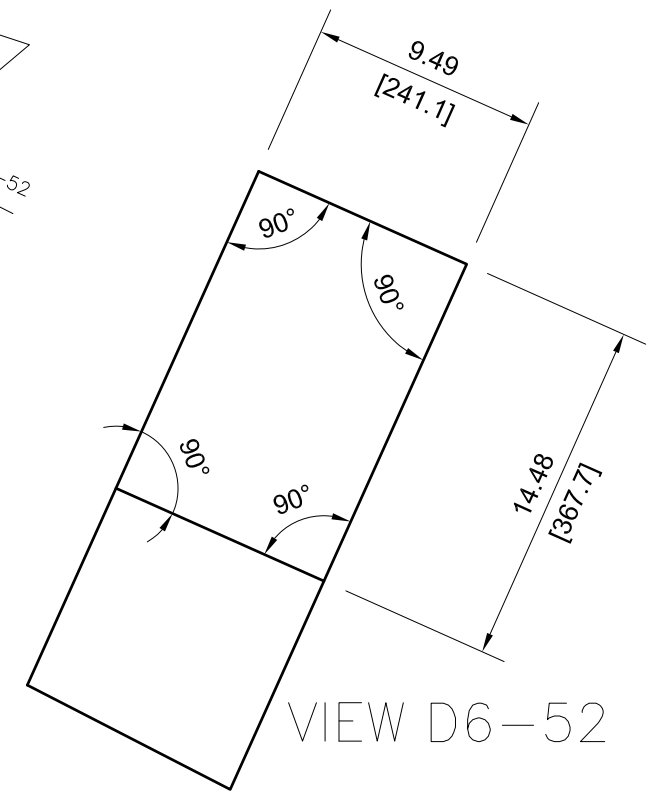
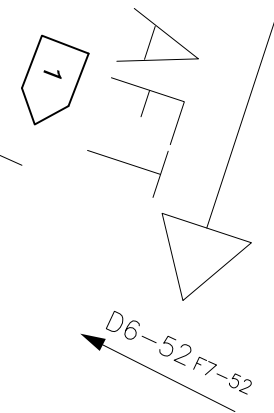
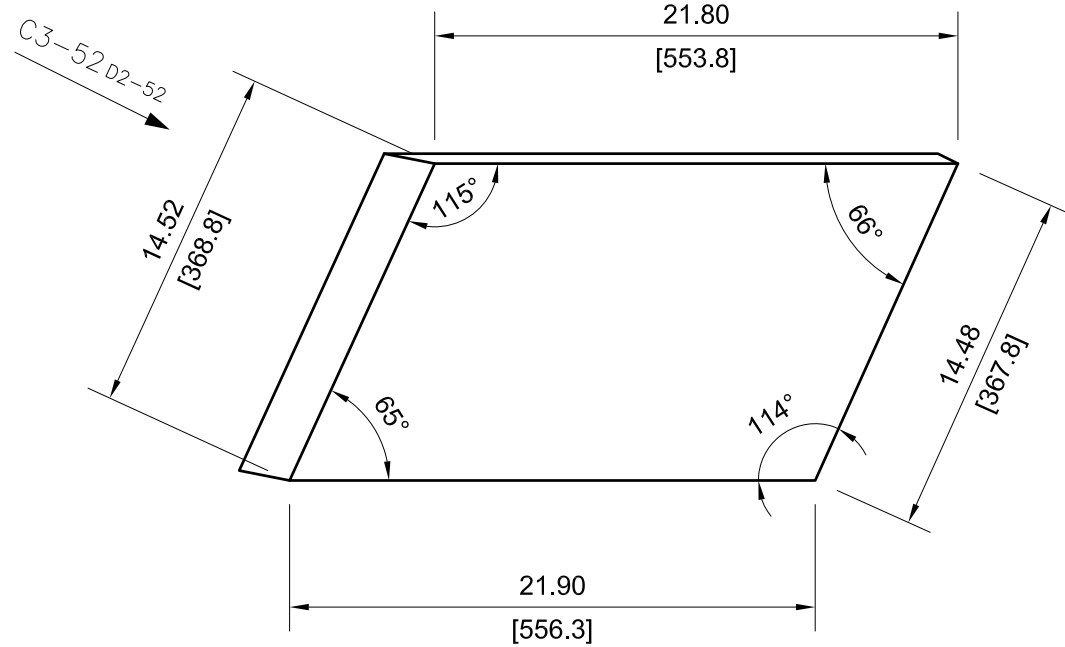
DRAWING NUMBER				
AES-D0009				
SIZE	SCALE	SHEET	OF	REVISION
A3	NONE	50	190	B



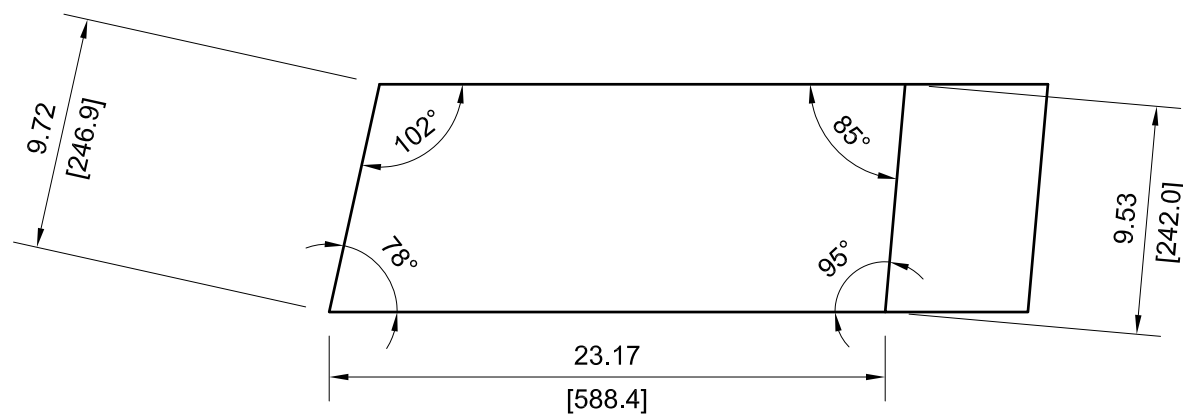
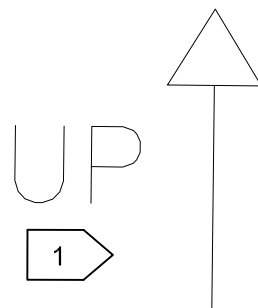
	DRAWING NUMBER				
	AES-D0009				
SIZE	SCALE	SHEET	OF	REVISION	
A3	NONE	51	190	B	




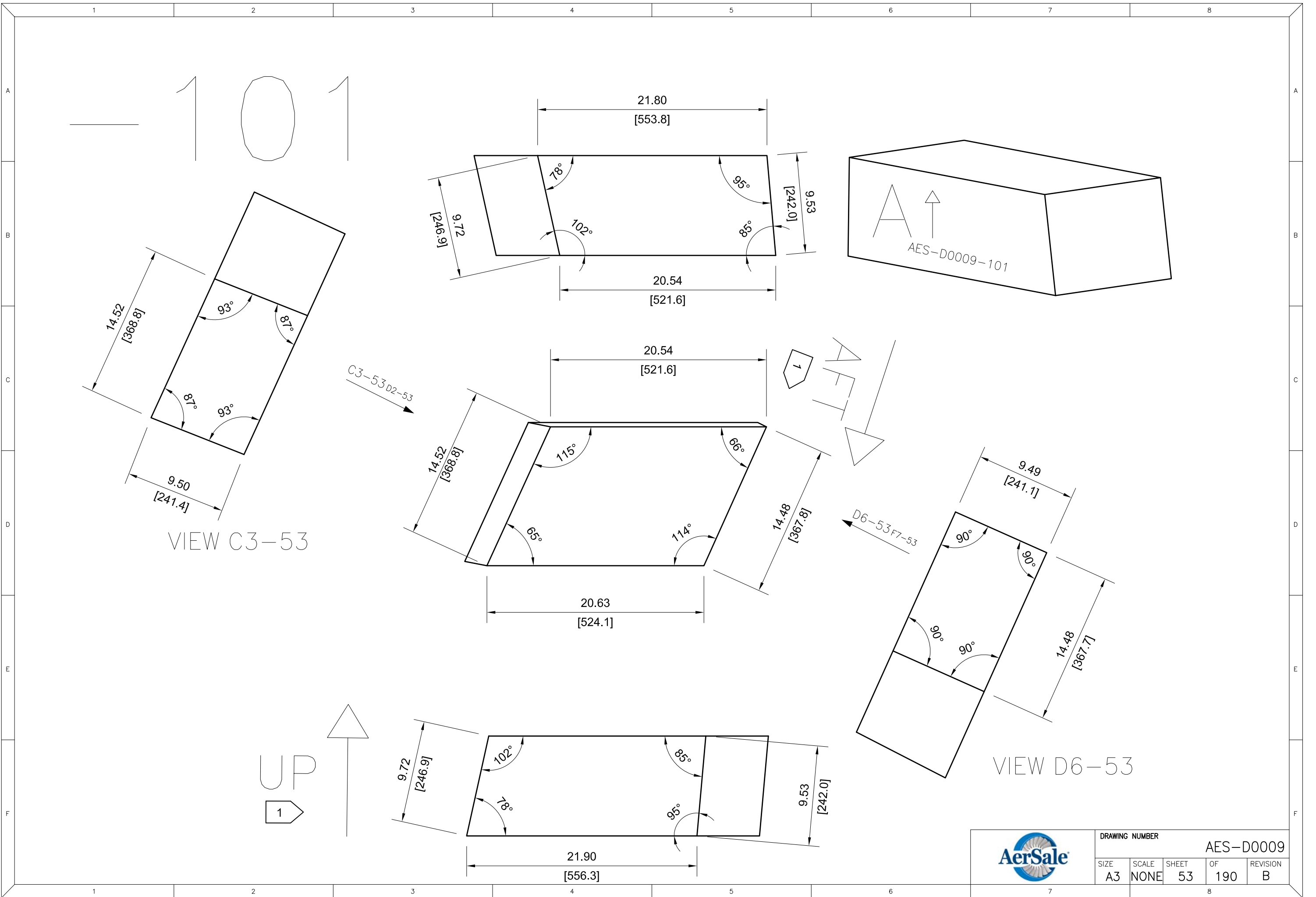
VIEW C3-52



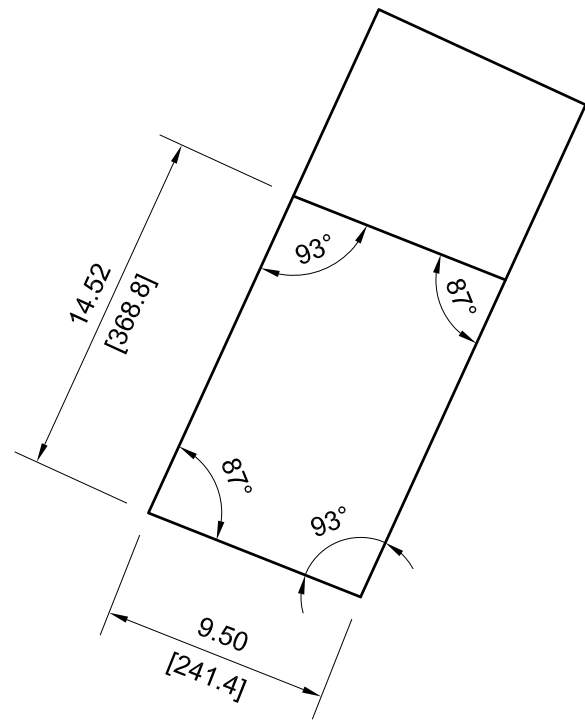
VIEW D6-52



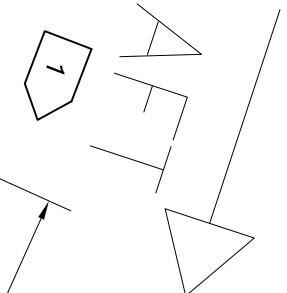
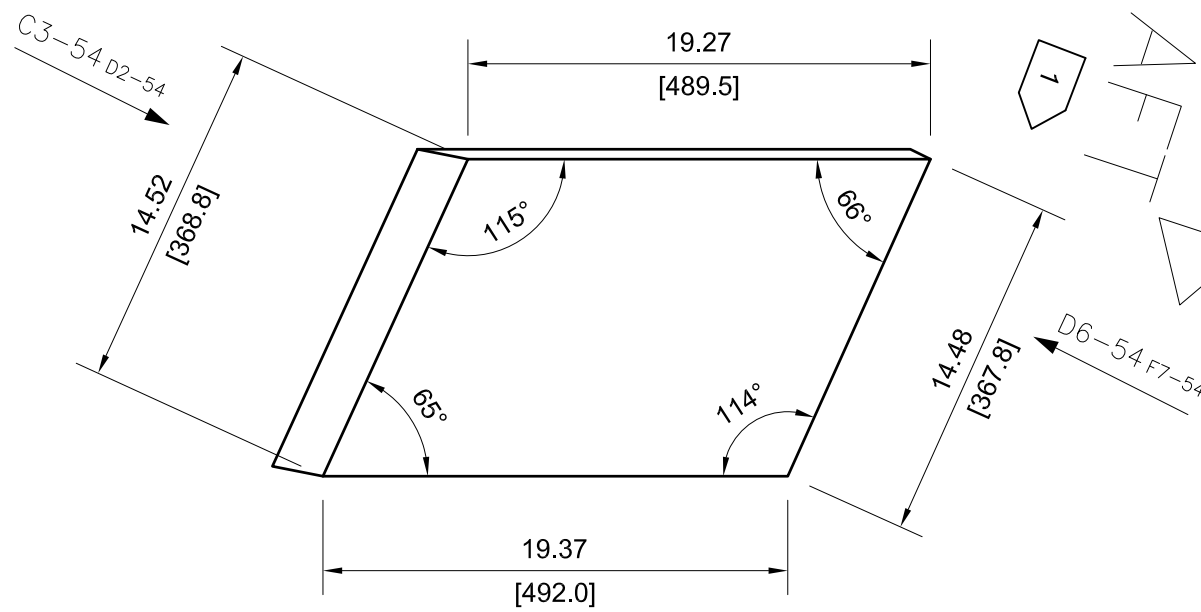
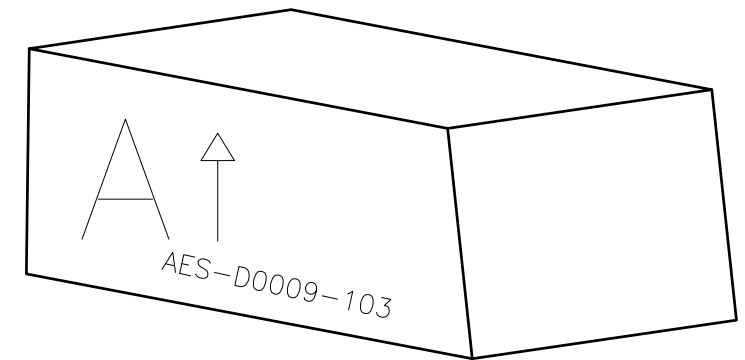
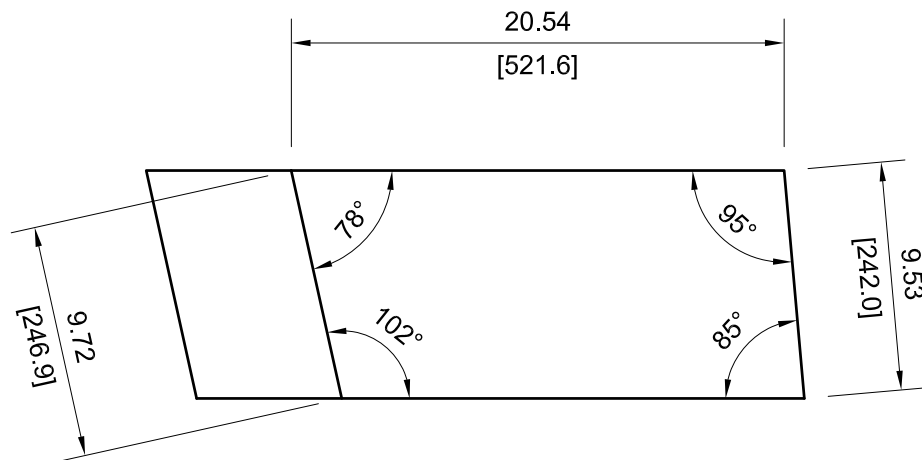
	DRAWING NUMBER				
	AES-D0009				
SIZE	SCALE	SHEET	OF	REVISION	
A3	NONE	52	190	B	



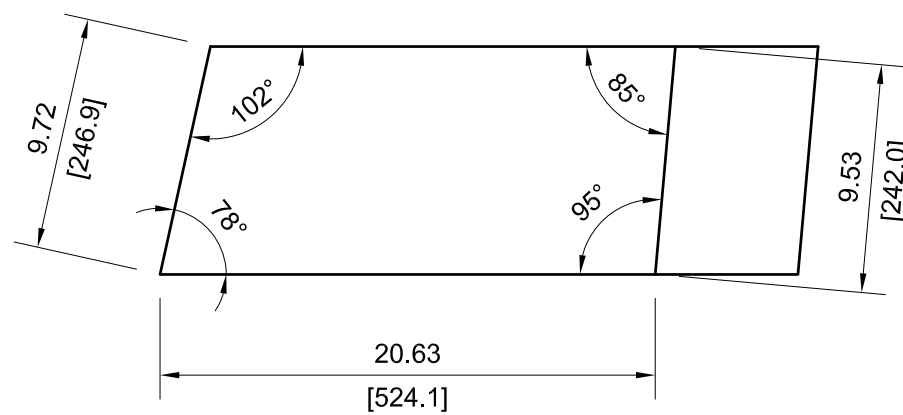
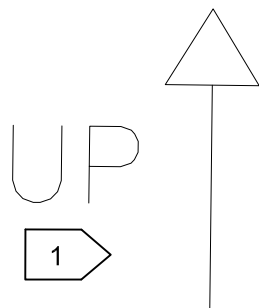
103



VIEW C3-54

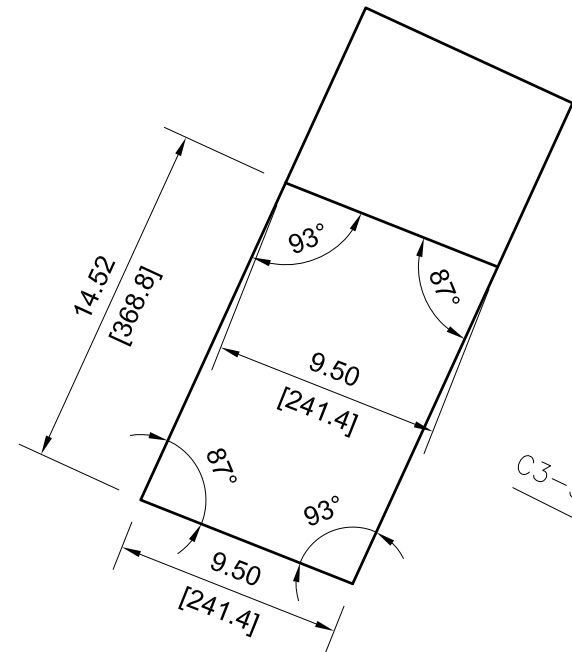


VIEW D6-54

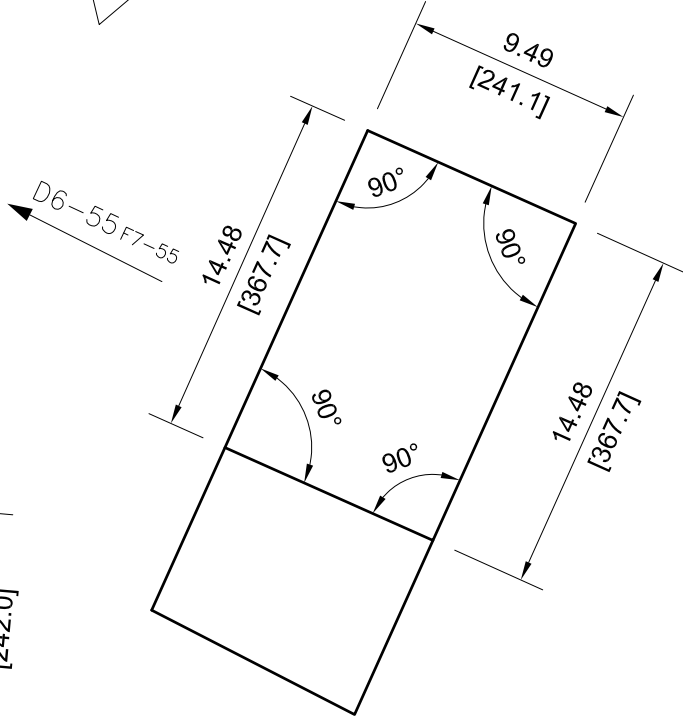
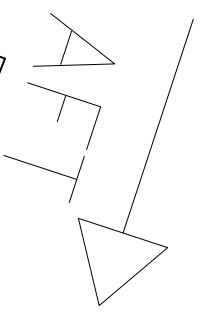
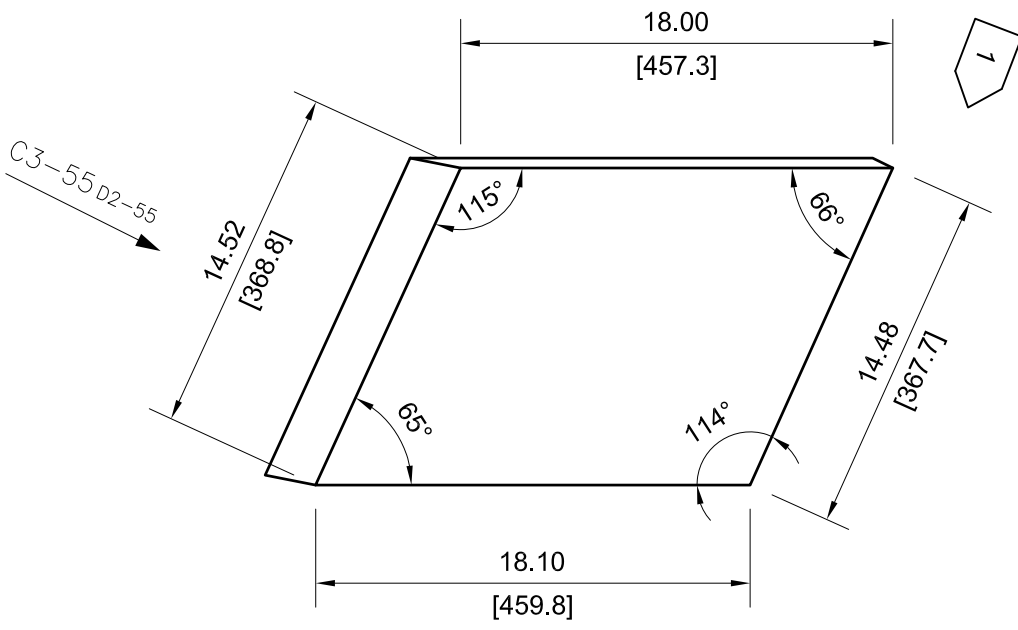
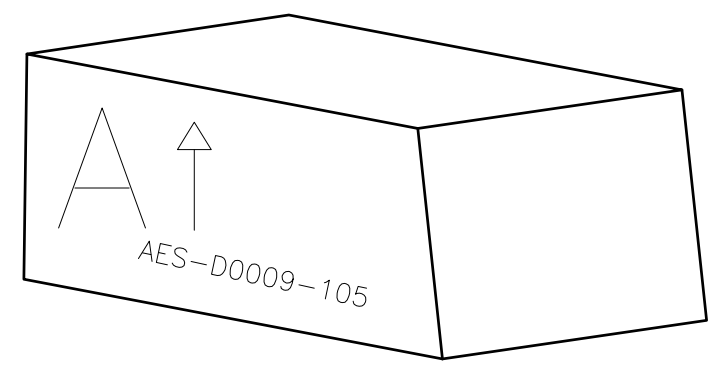
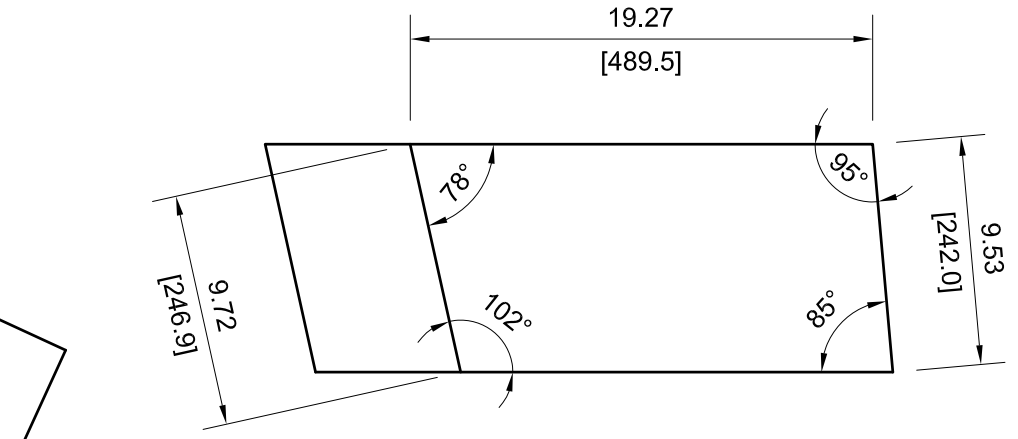


DRAWING NUMBER					AES-D0009	
SIZE	SCALE	SHEET	OF	REVISION		
A3	NONE	54	190	B		

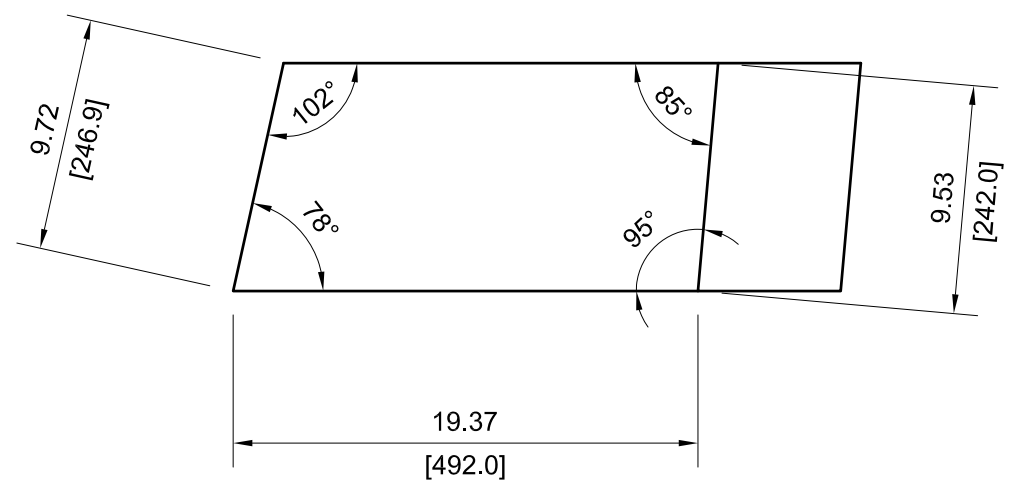
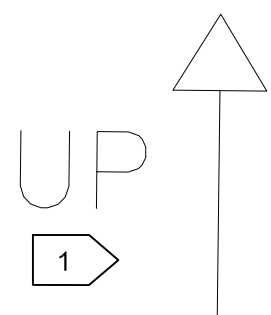
105



VIEW C3-55

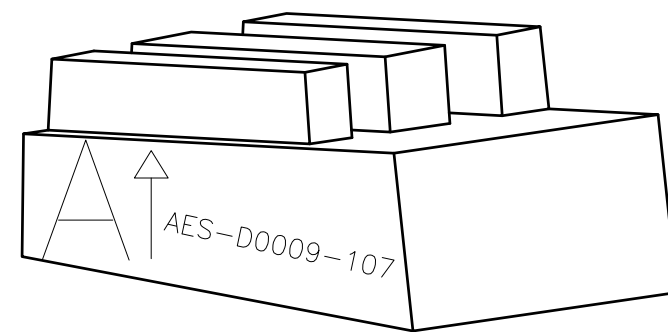
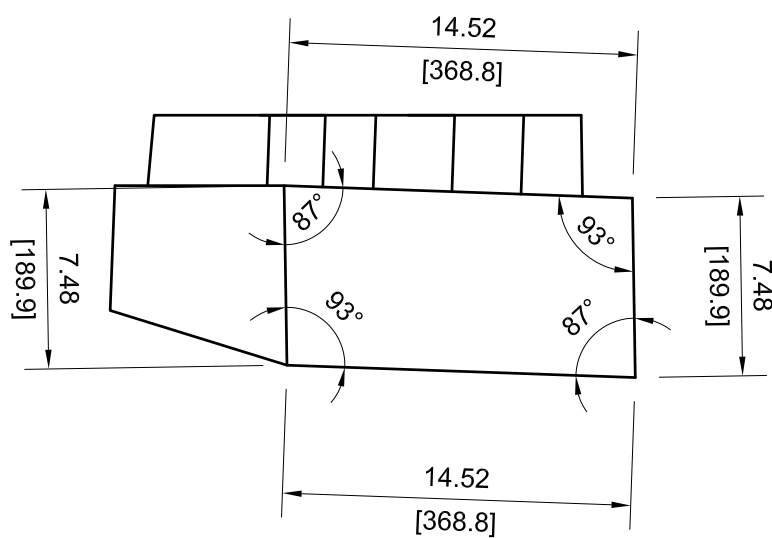
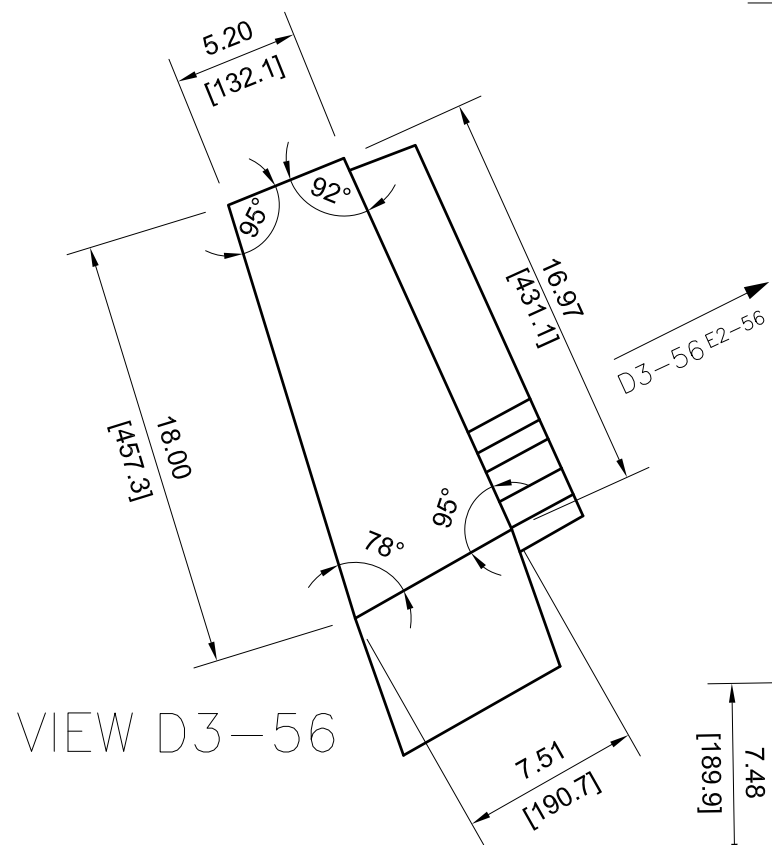
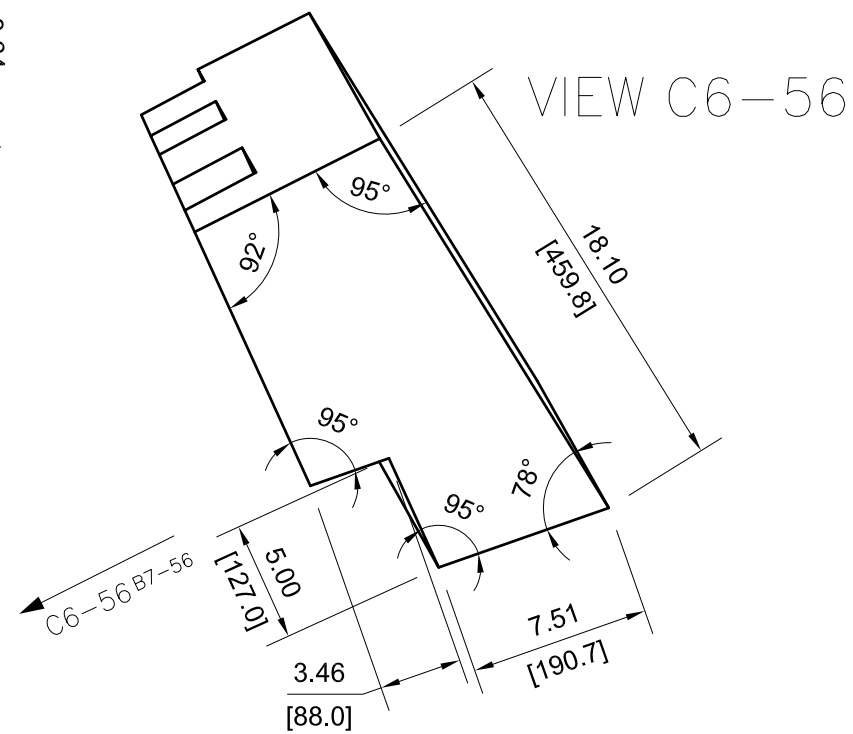
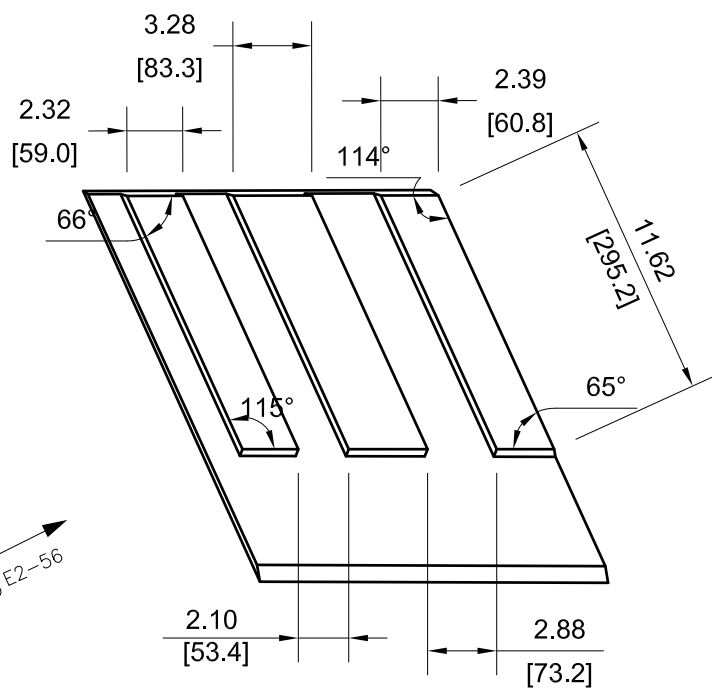
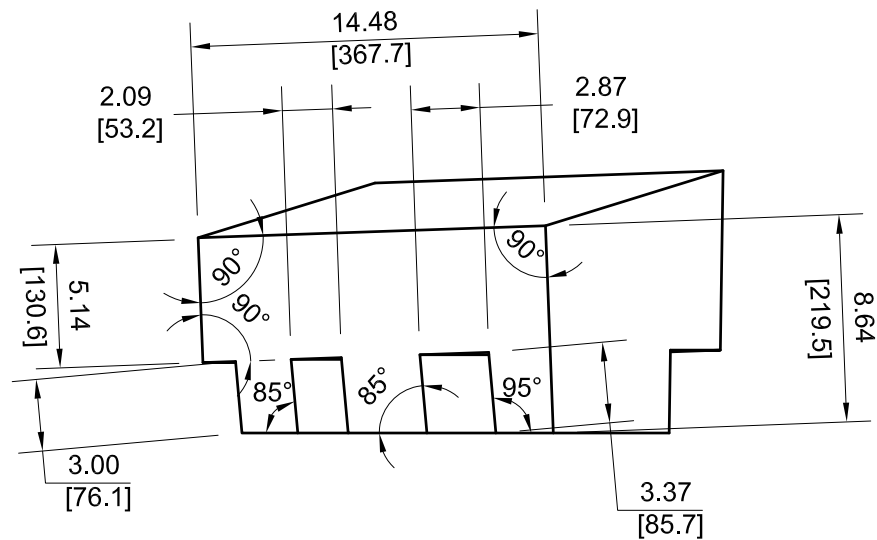


VIEW D6-55



		DRAWING NUMBER			
		AES-D0009			
SIZE	SCALE	SHEET	OF	REVISION	
A3	NONE	55	190	B	

107

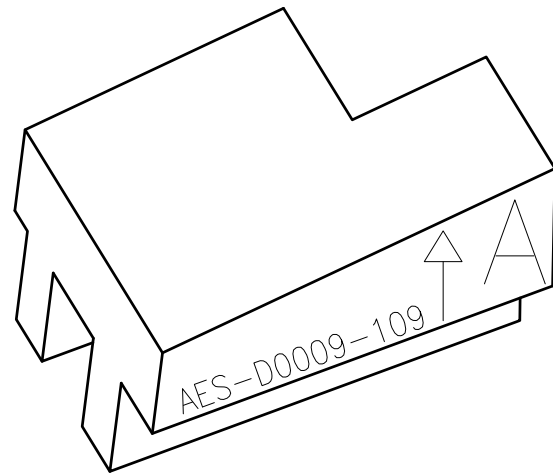


VIEW D3-56

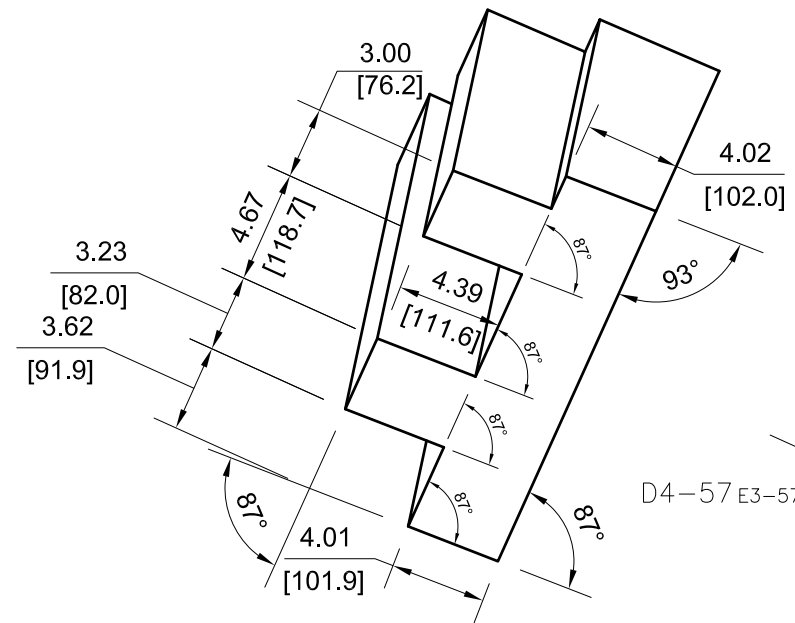
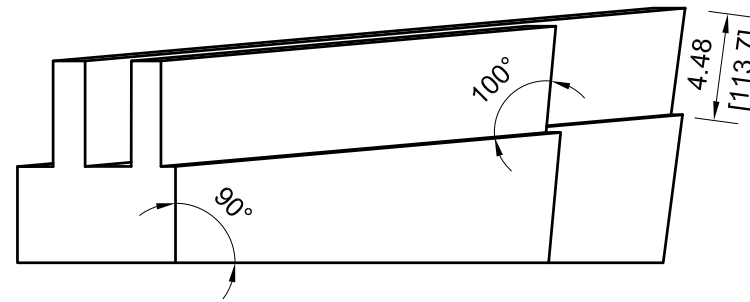
VIEW C6-56



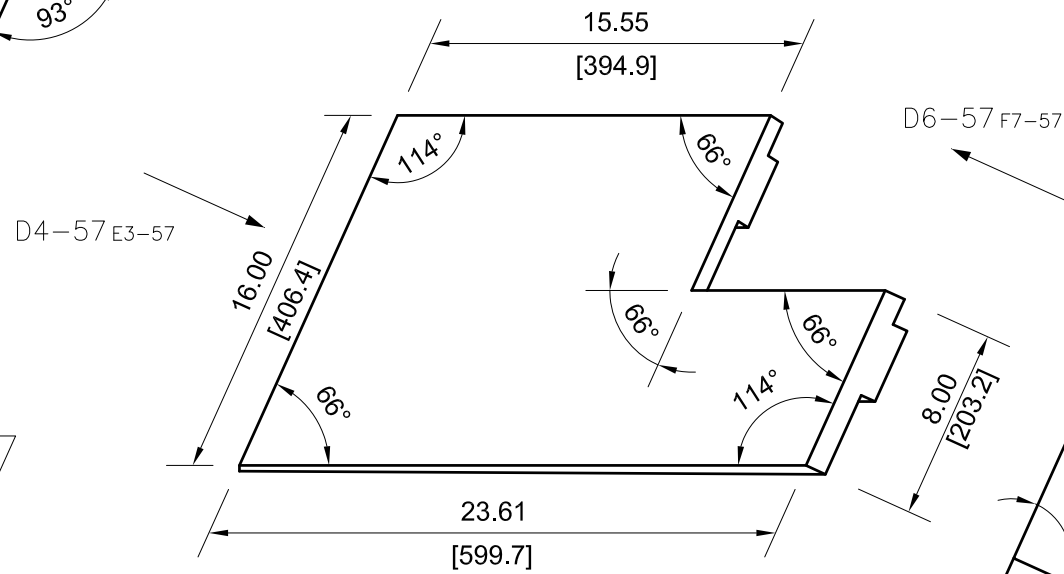
DRAWING NUMBER					AES-D0009	
SIZE	SCALE	SHEET	OF	REVISION		
A3	NONE	56	190	B		



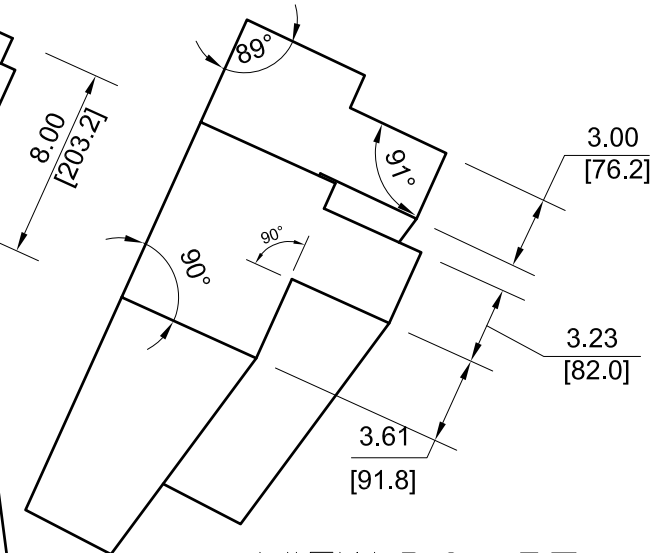
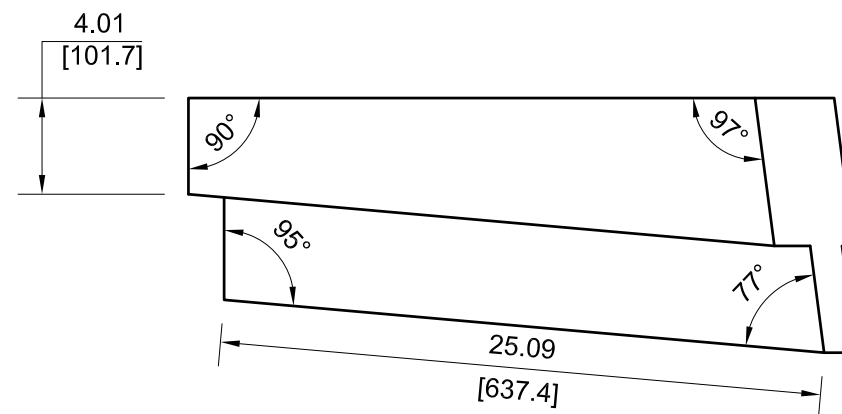
— 109



VIEW D4-57



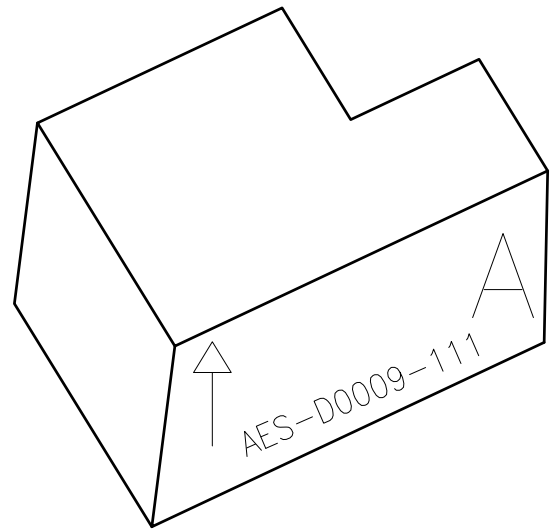
D6-57 F7-57



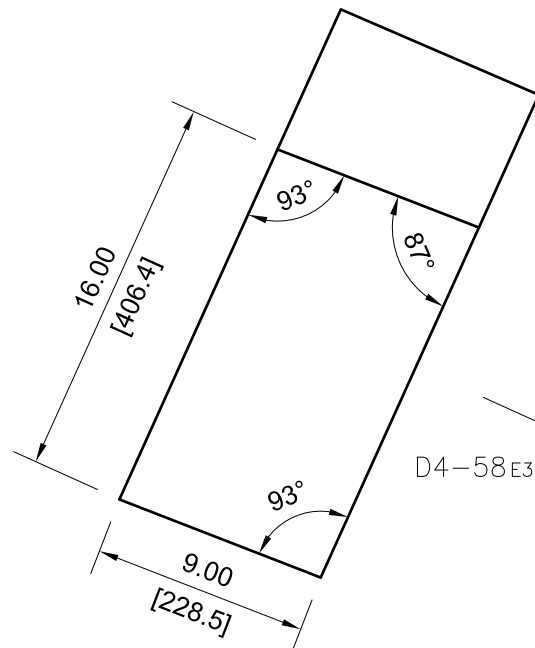
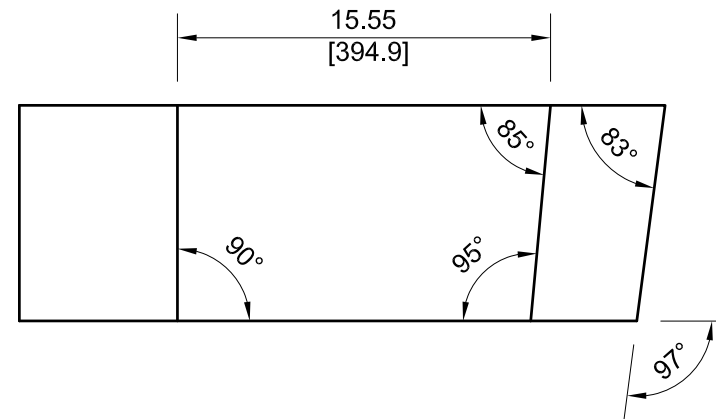
VIEW D6-57



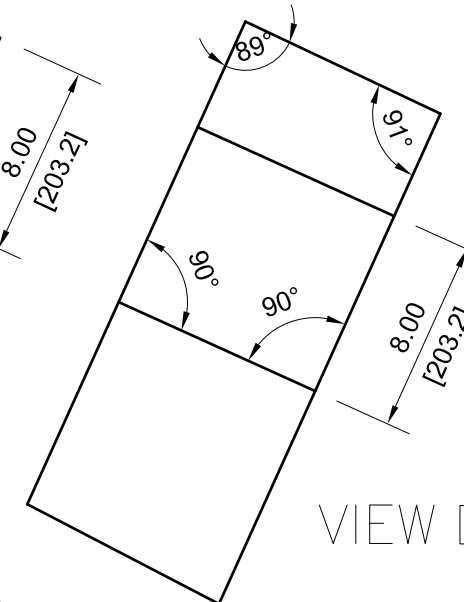
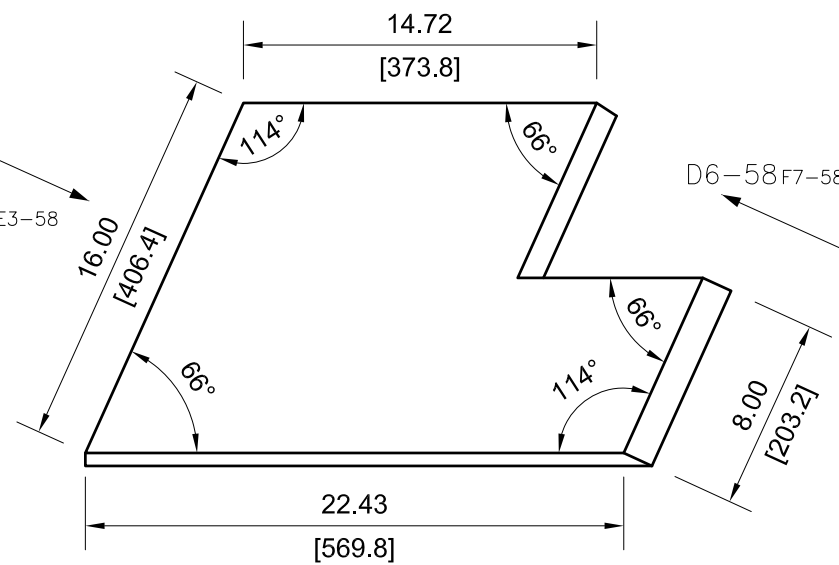
DRAWING NUMBER				
AES-D0009				
SIZE	SCALE	SHEET	OF	REVISION
A3	NONE	57	190	B



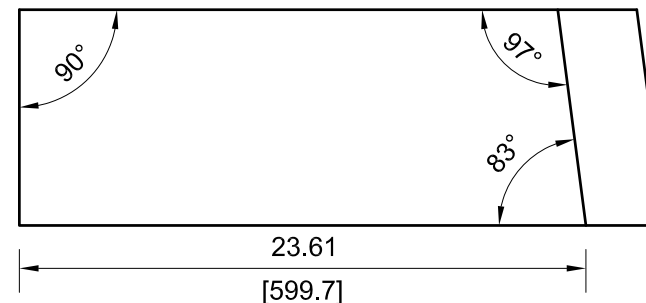
— 1 1 1



VIEW D4-58

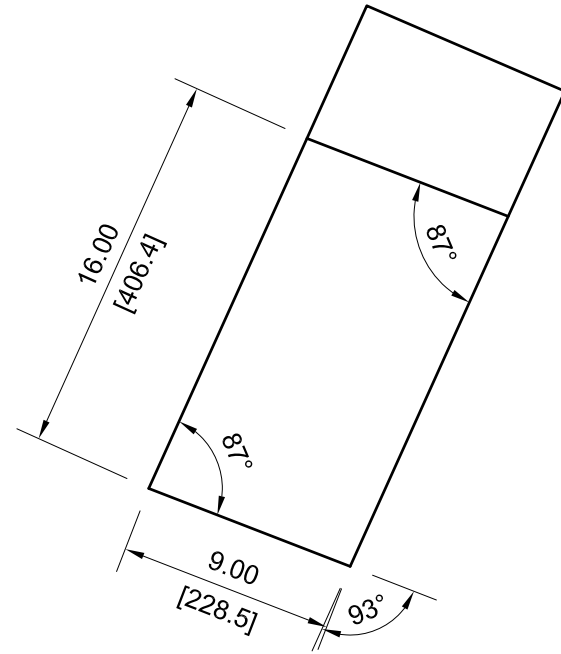
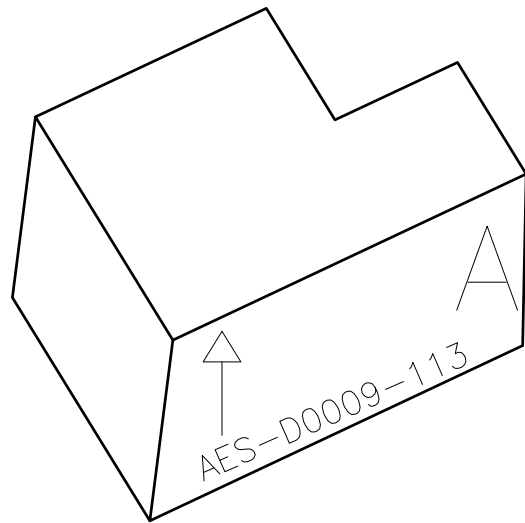


VIEW D6-58

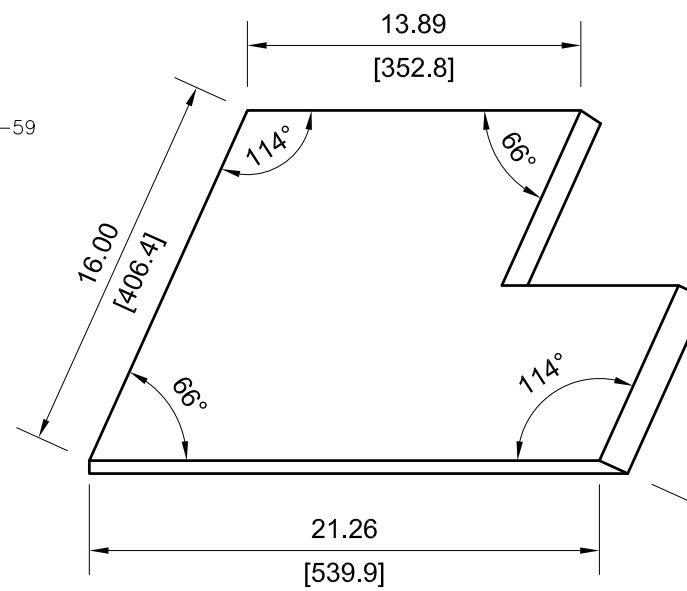
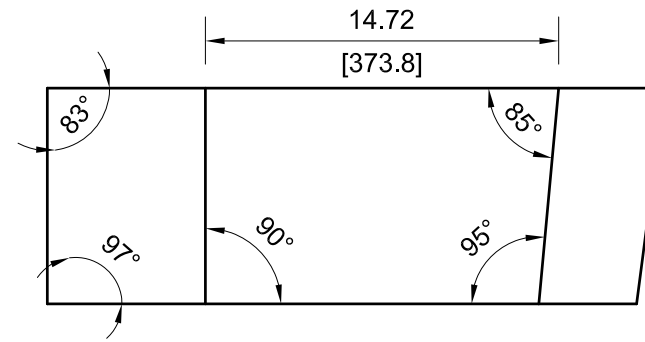


DRAWING NUMBER				
AES-D0009				
SIZE	SCALE	SHEET	OF	REVISION
A3	NONE	58	190	B

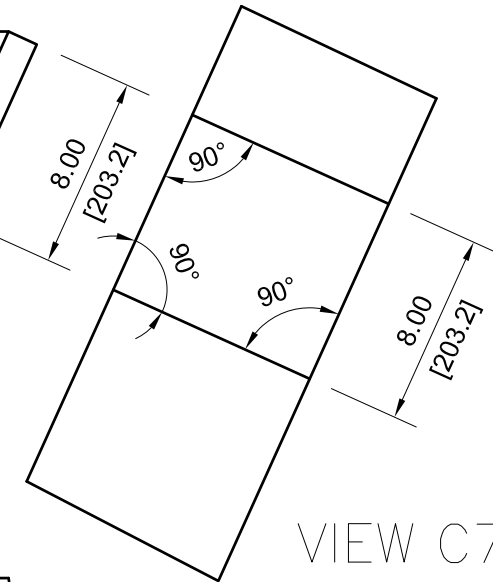
— 113



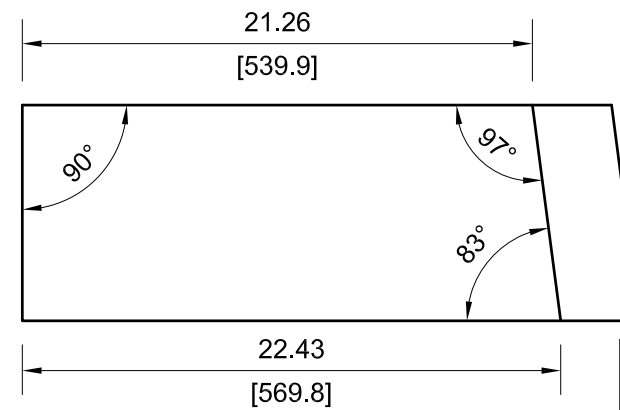
VIEW D3-59



C7-59 E7-59



VIEW C7-59

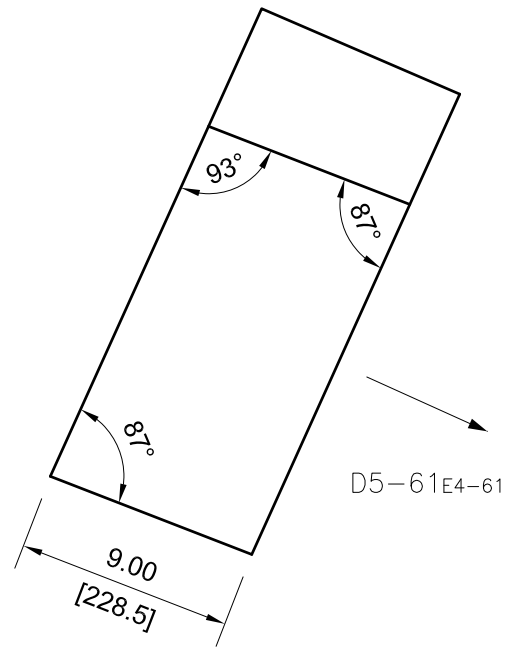
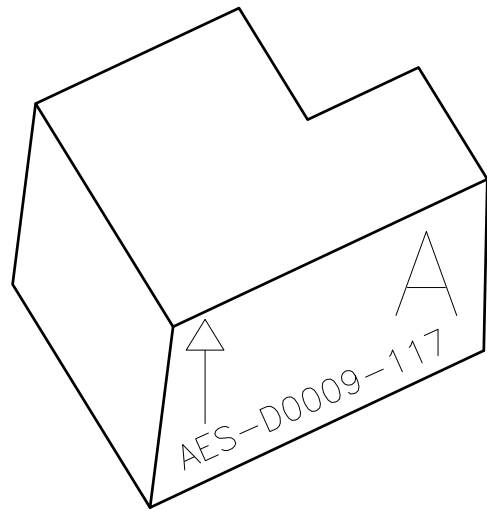


C4-59 D3-59

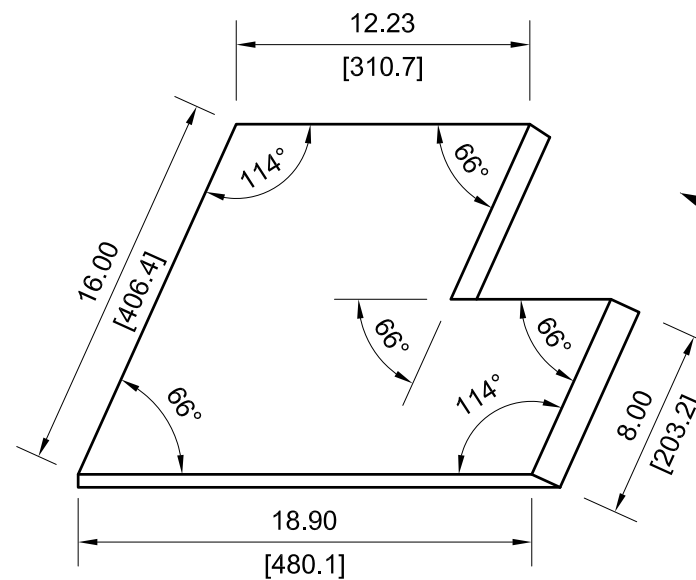
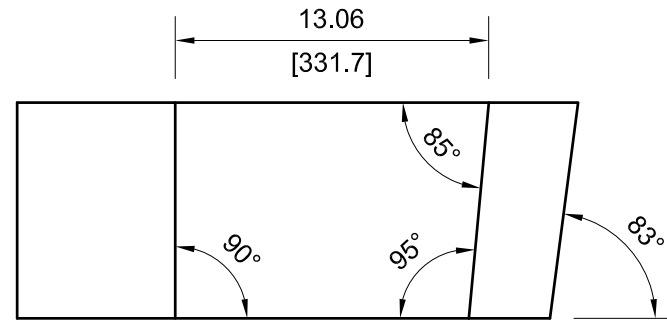


DRAWING NUMBER					AES-D0009	
SIZE	SCALE	SHEET	OF	REVISION		
A3	NONE	59	190	B		

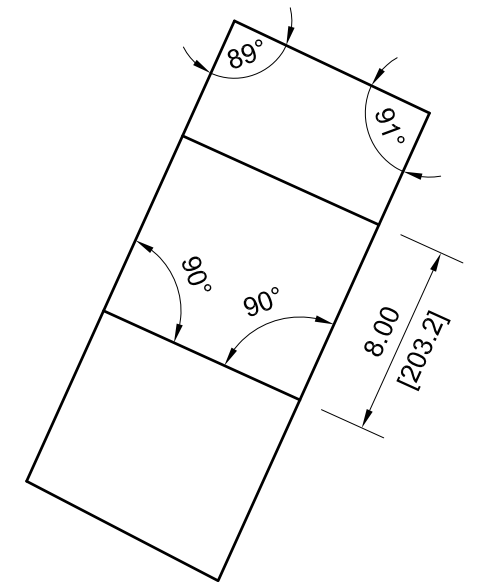
— 117



VIEW D4-61



D7-61F7-61

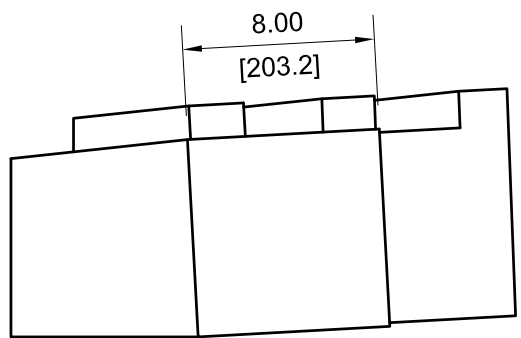
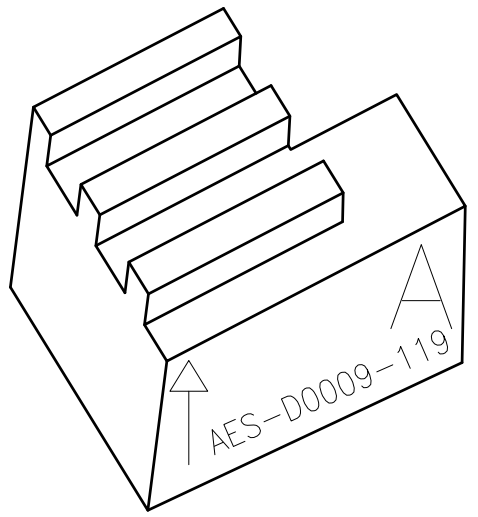


VIEW D7-61

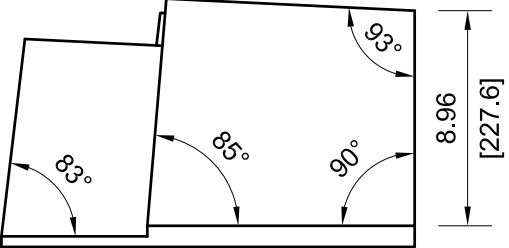


DRAWING NUMBER					AES-D0009	
SIZE	SCALE	SHEET	OF	REVISION		
A3	NONE	61	190	B		

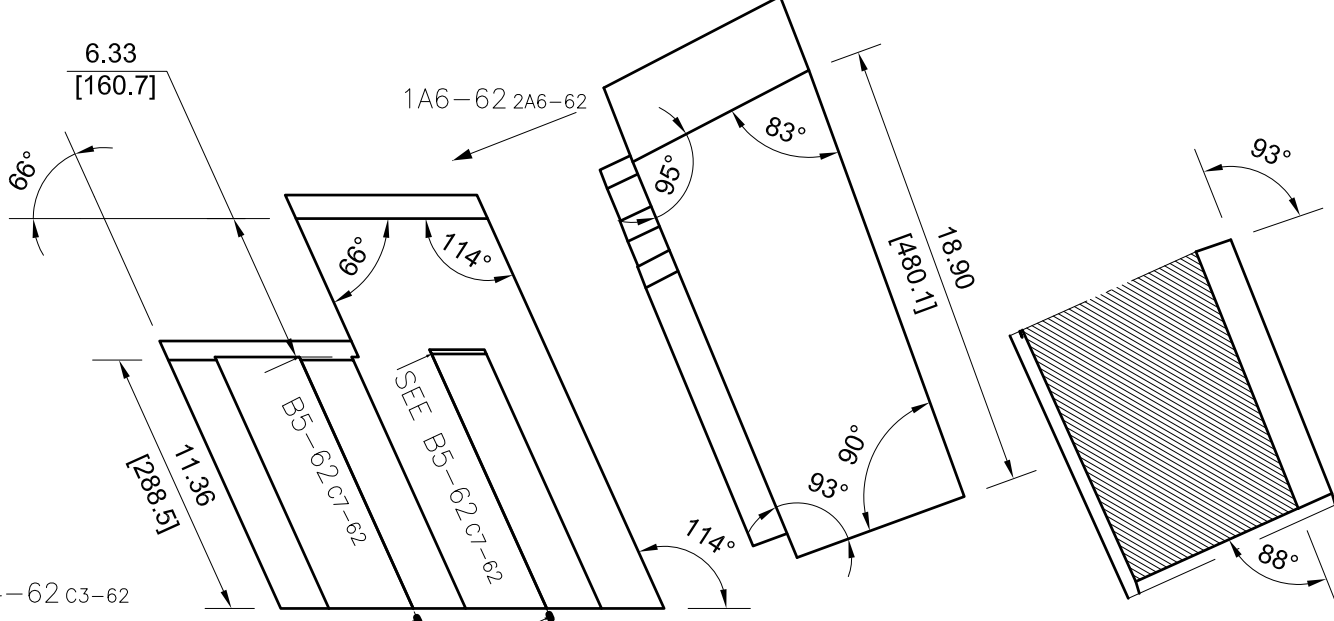
119



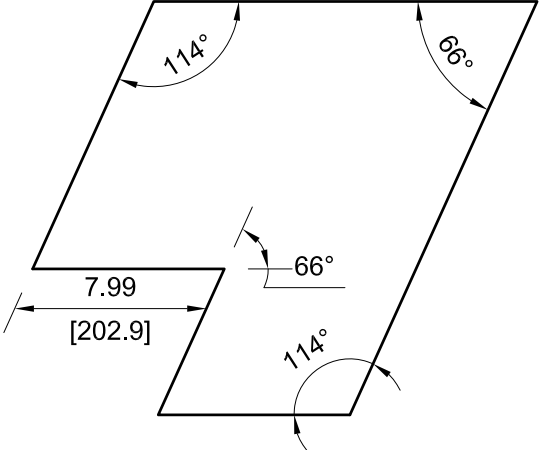
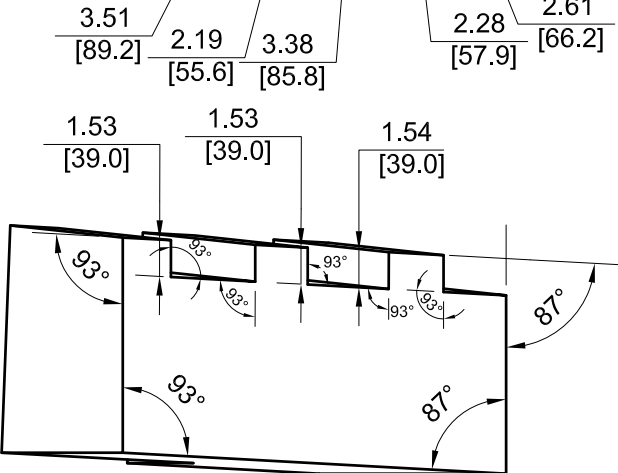
VIEW C4-62



VIEW 1A6-62

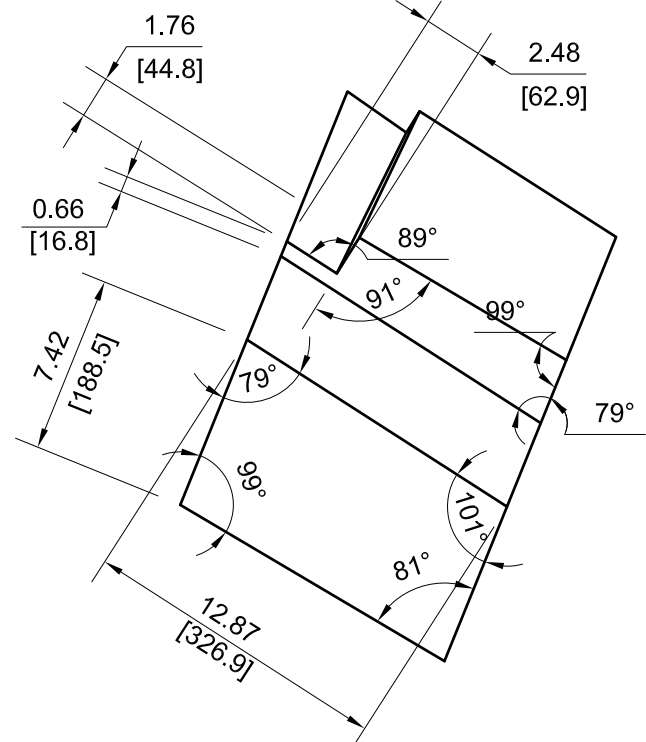


SECTION VIEW B5-62

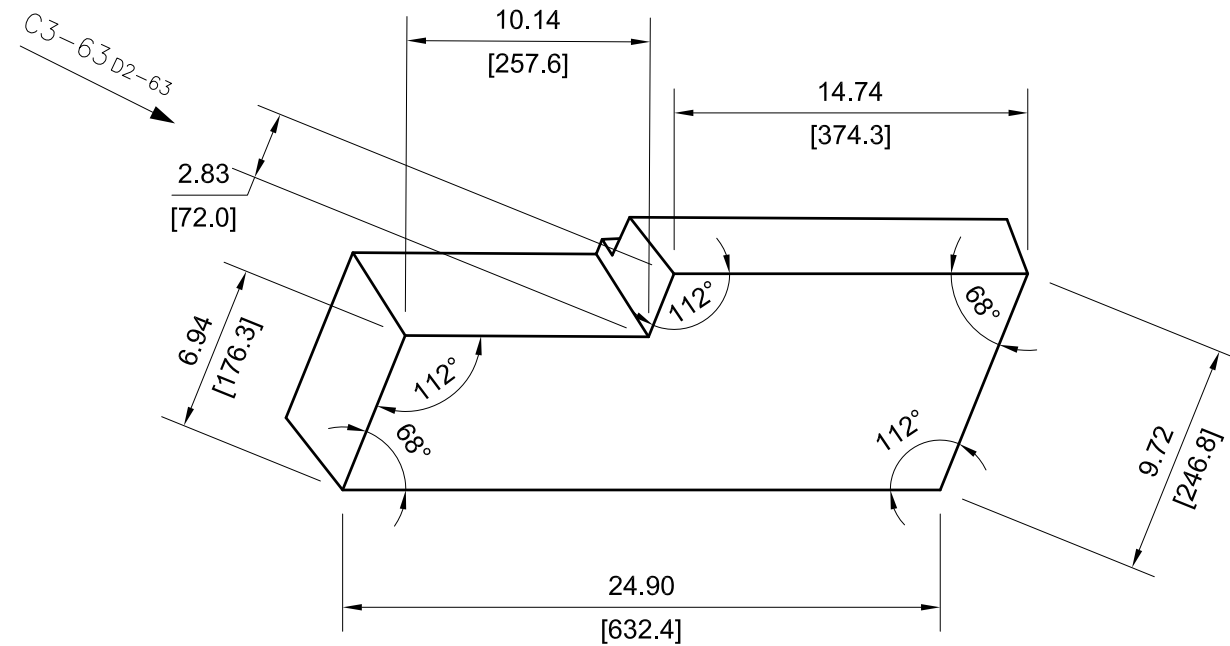
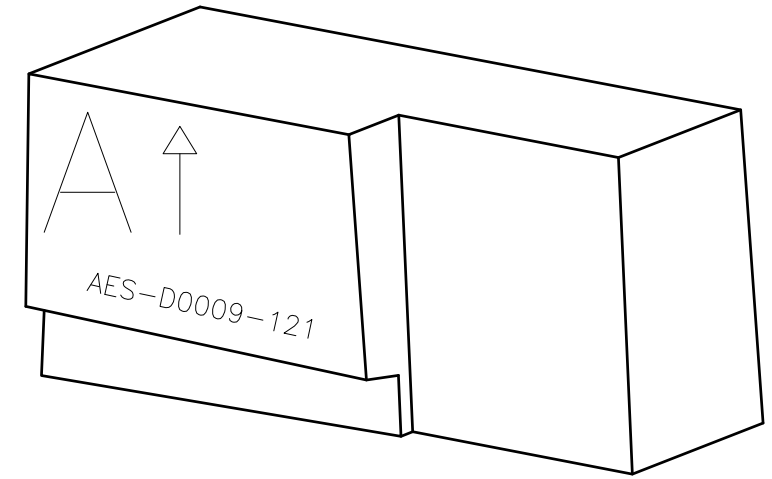
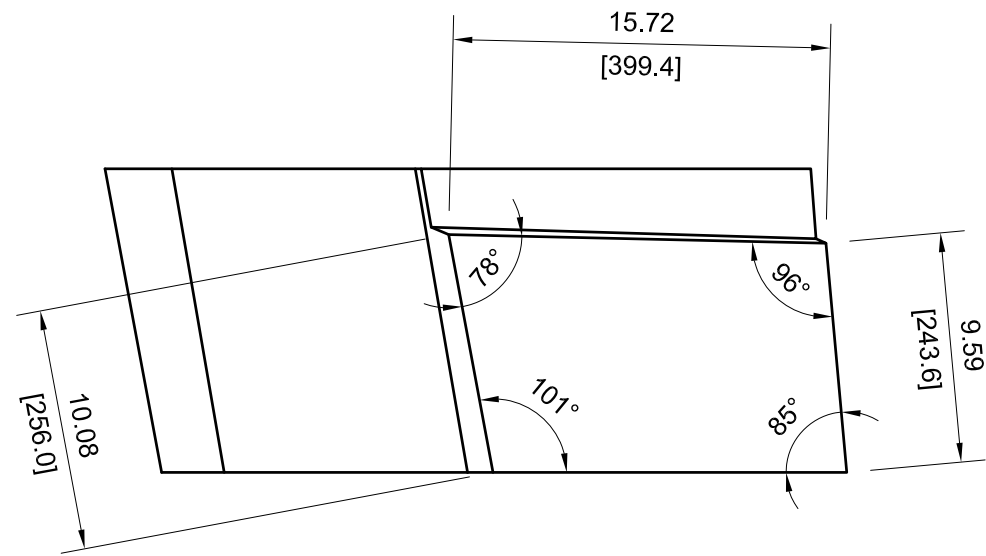


DRAWING NUMBER				
AES-D0009				
SIZE	SCALE	SHEET	OF	REVISION
A3	NONE	62	190	B

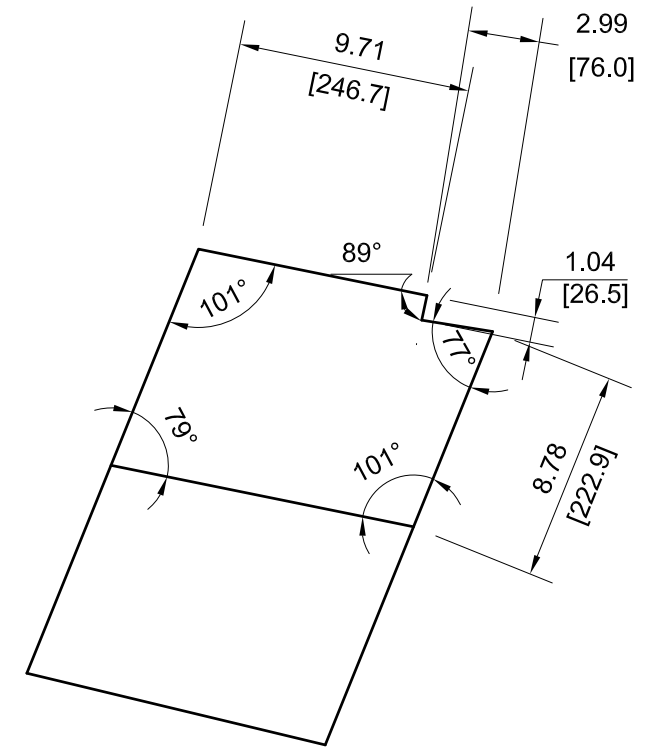
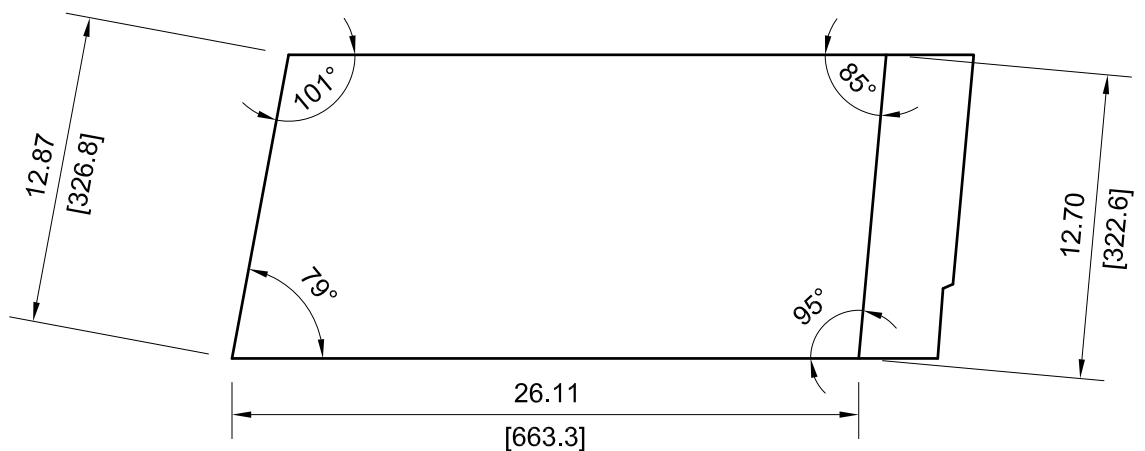
121



VIEW C3-63



D6-63F7-63

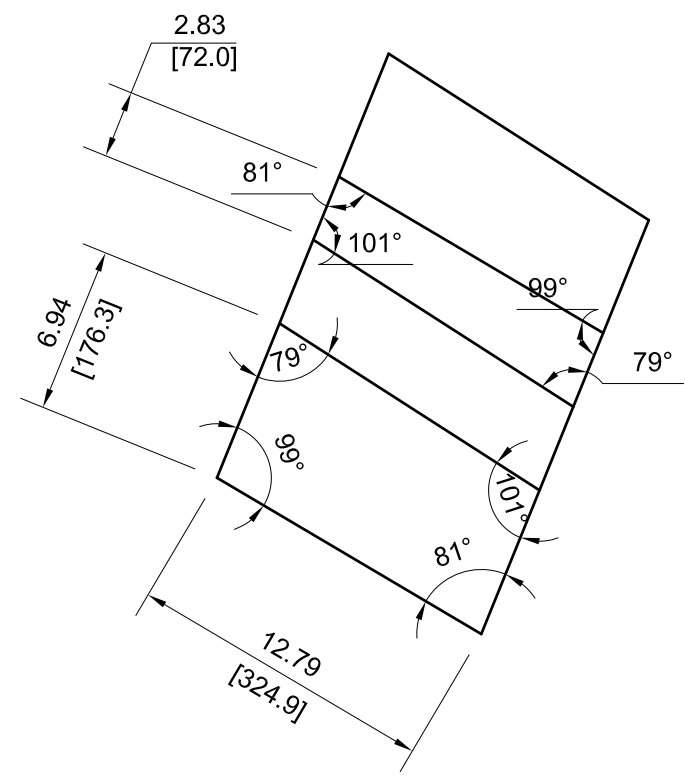


VIEW D6-63

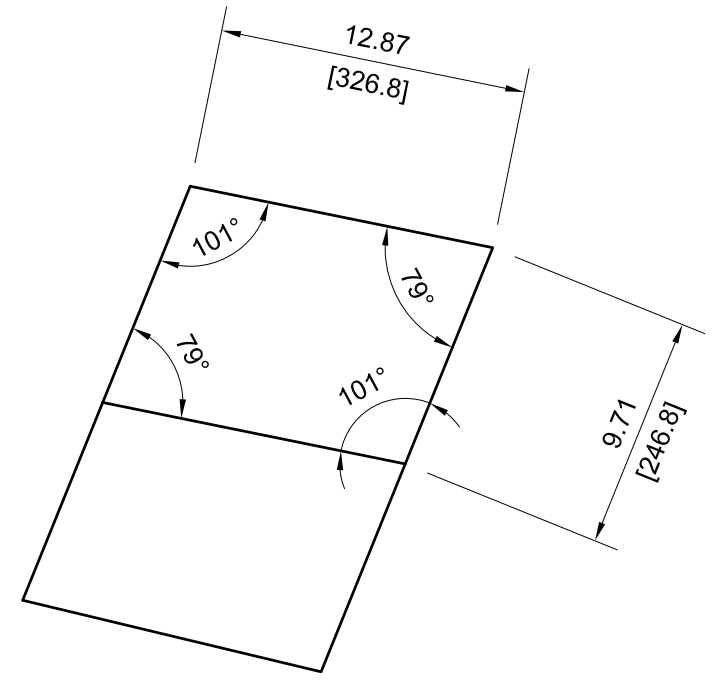
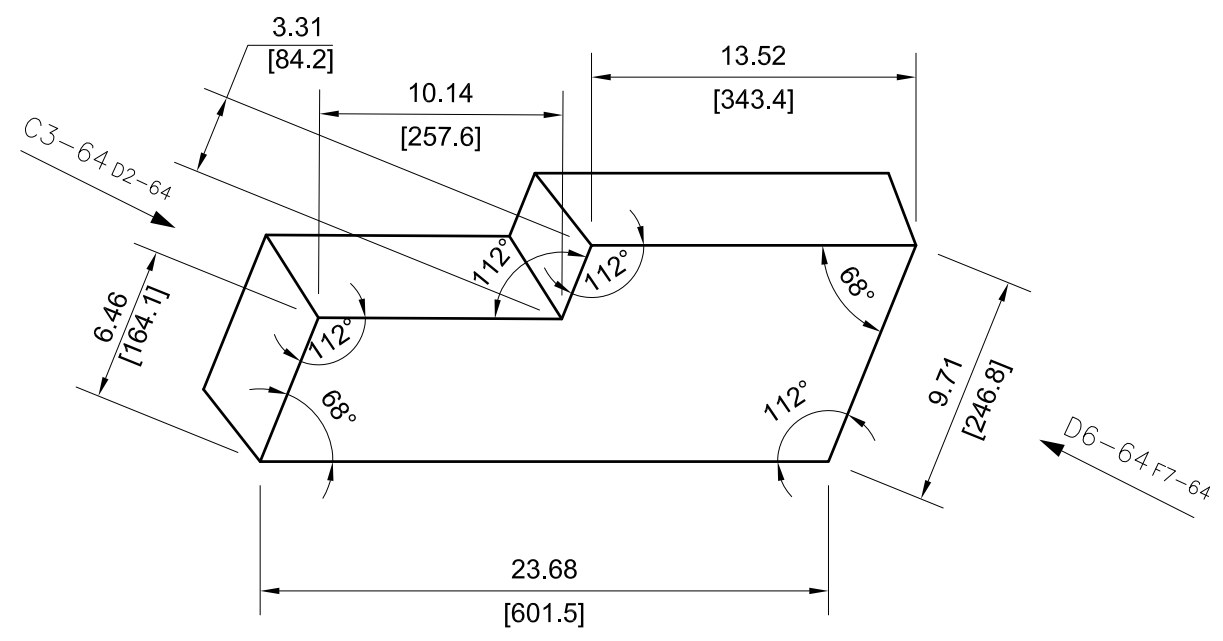
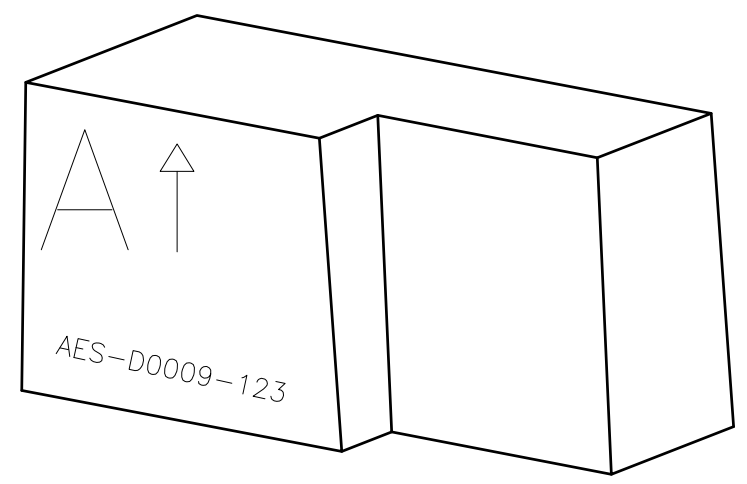
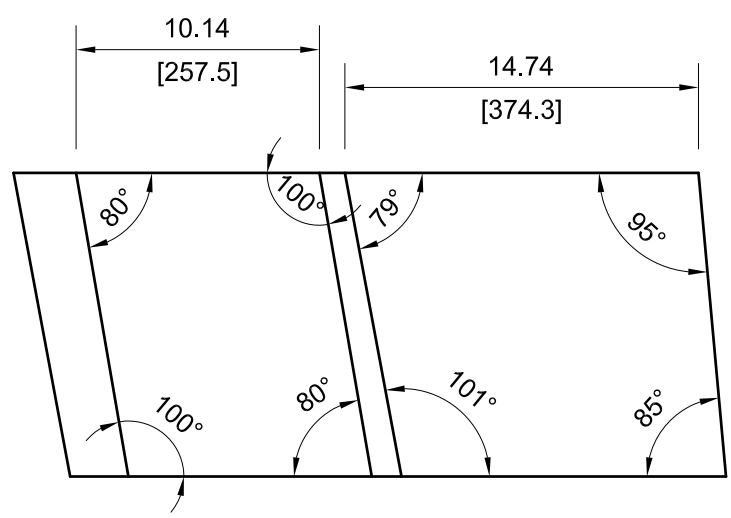


DRAWING NUMBER					AES-D0009	
SIZE	SCALE	SHEET	OF	REVISION		
A3	NONE	63	190	B		

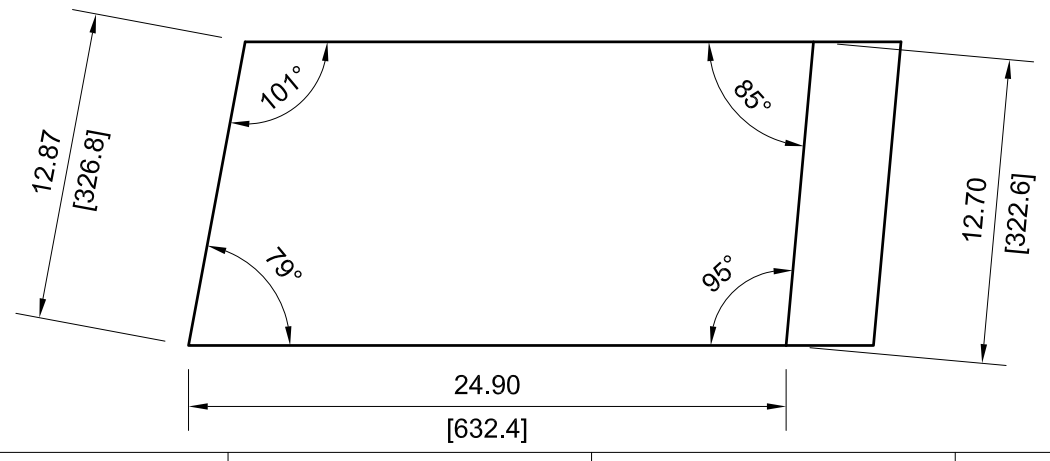
1 2 3



VIEW C3-64

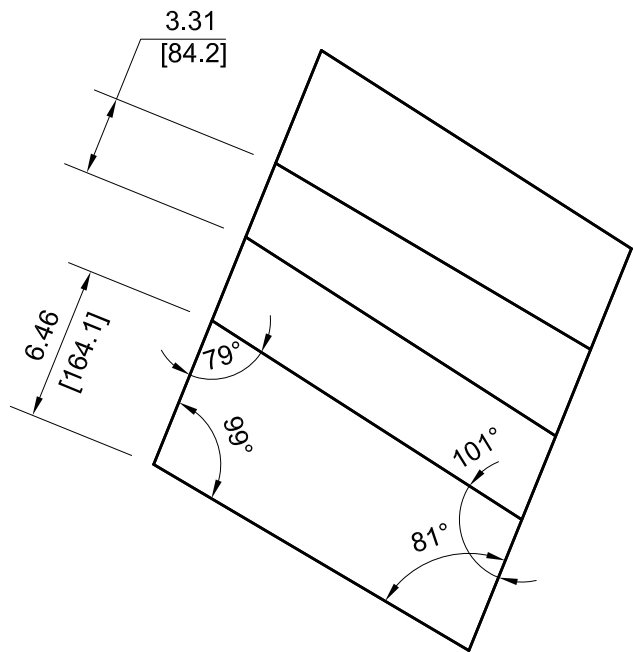


VIEW D6-64

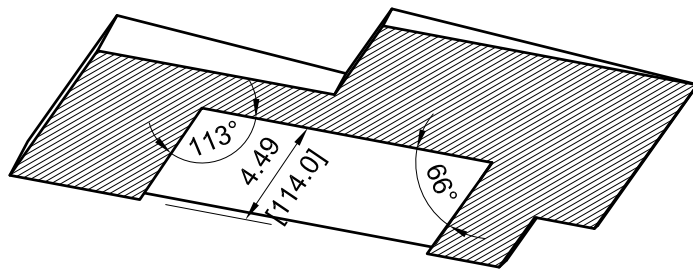


DRAWING NUMBER					AES-D0009	
SIZE	SCALE	SHEET	OF	REVISION		
A3	NONE	64	190	B		

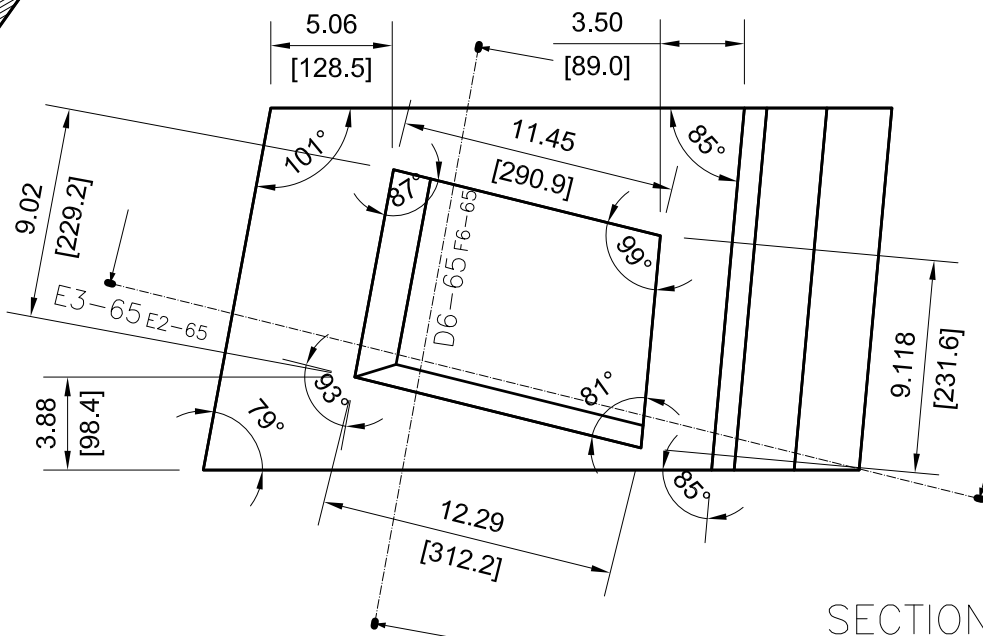
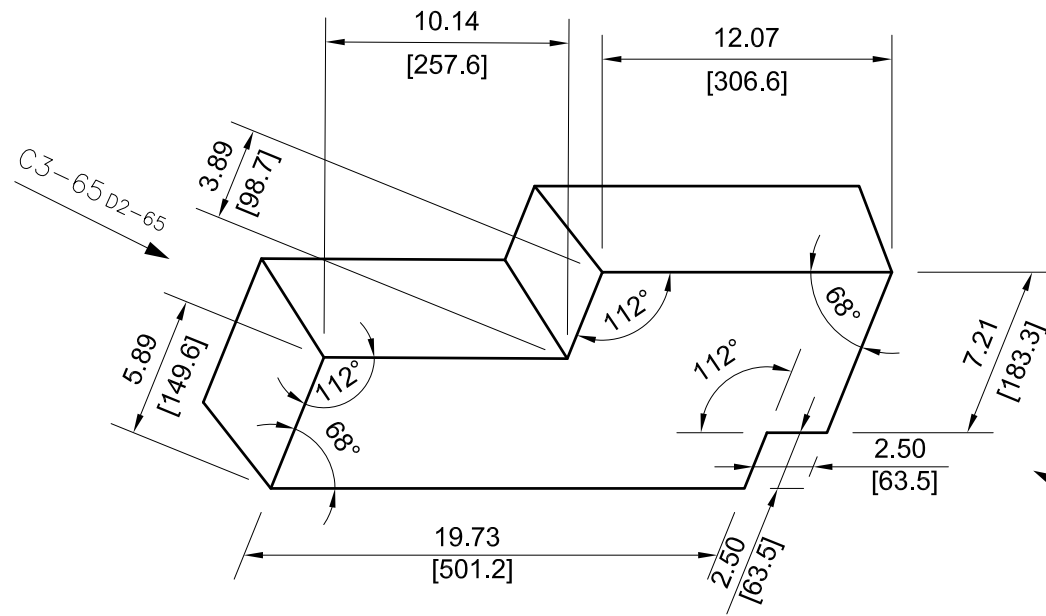
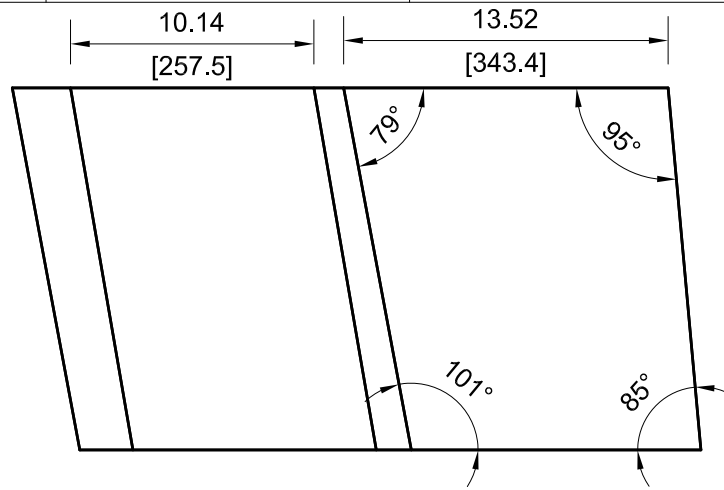
125



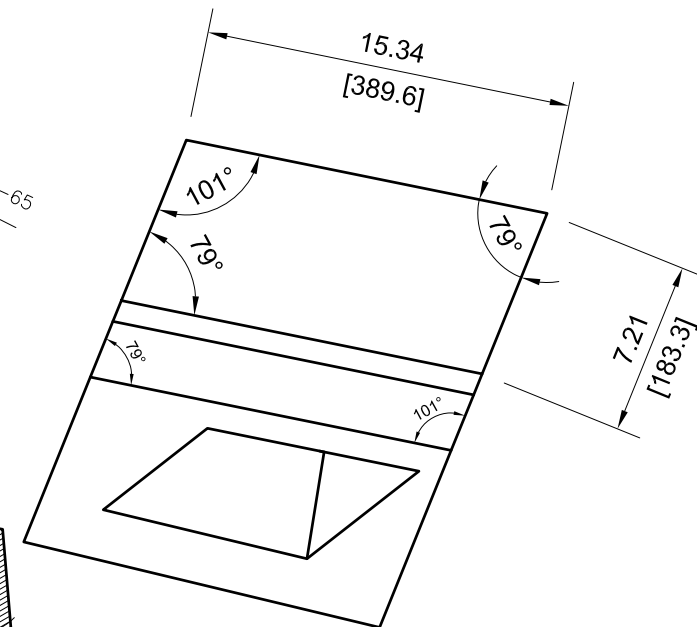
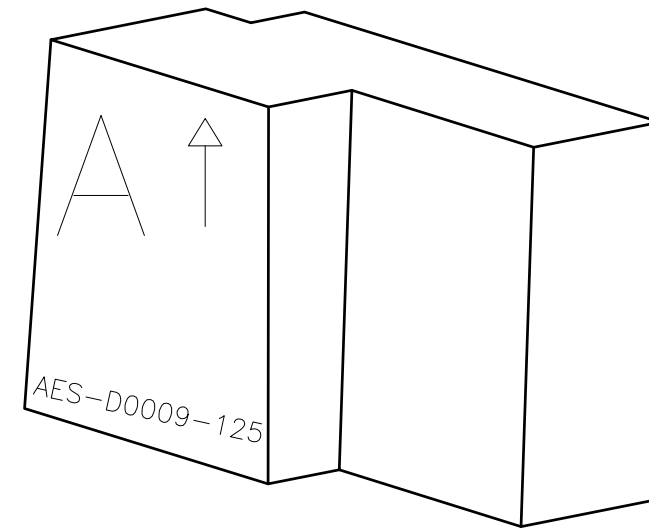
VIEW C3-65



SECTION VIEW E3-65



SECTION VIEW D6-65

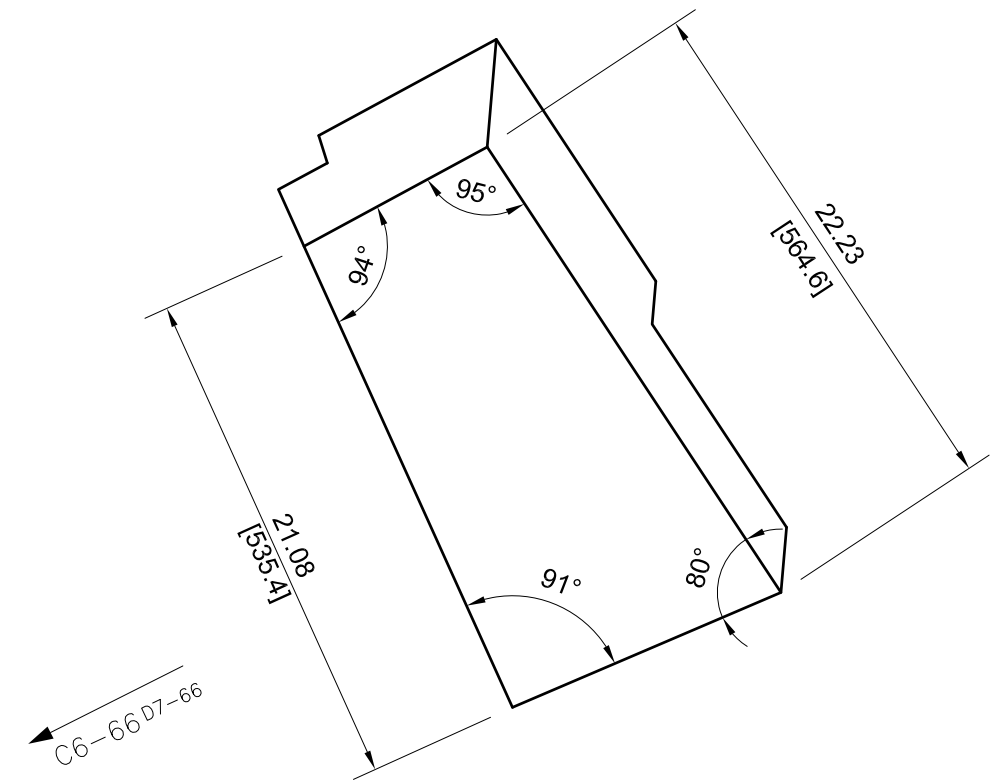
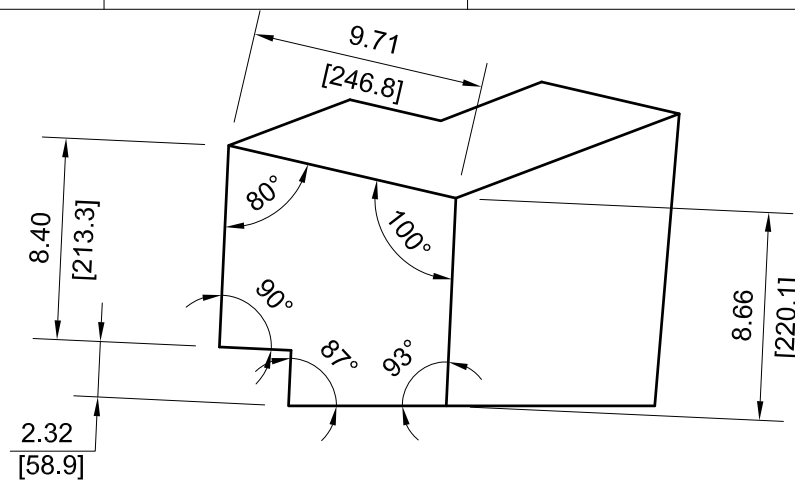


VIEW D6-65

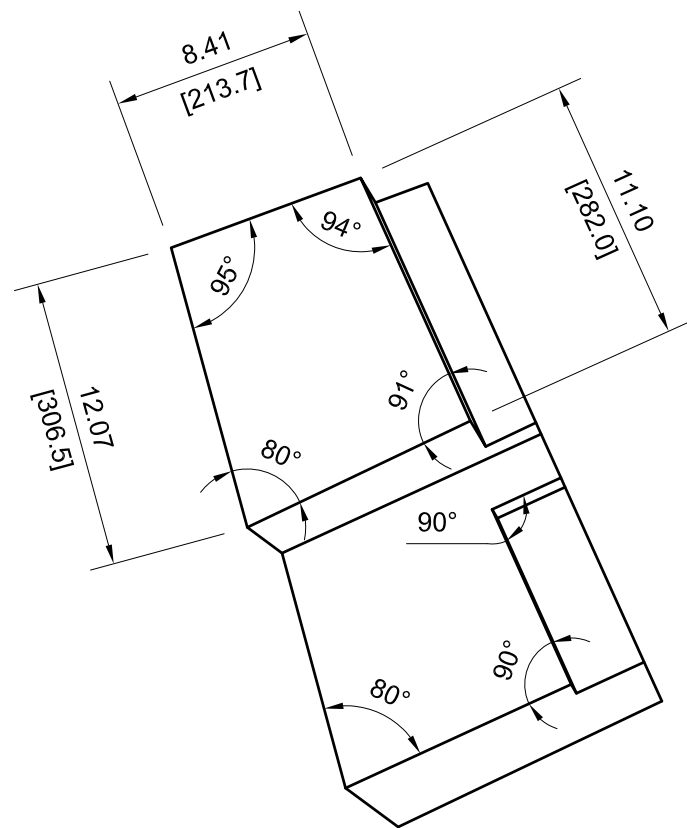


DRAWING NUMBER				
AES-D0009				
SIZE	SCALE	SHEET	OF	REVISION
A3	NONE	65	190	B

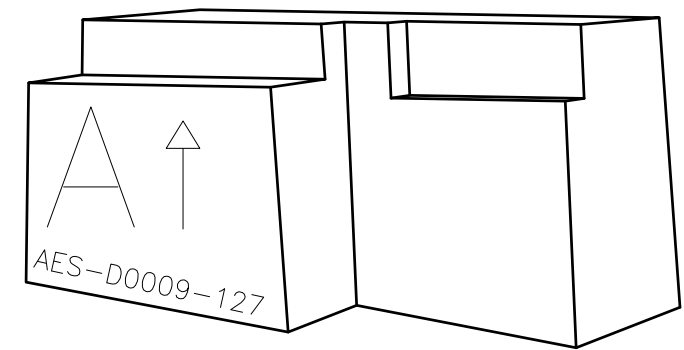
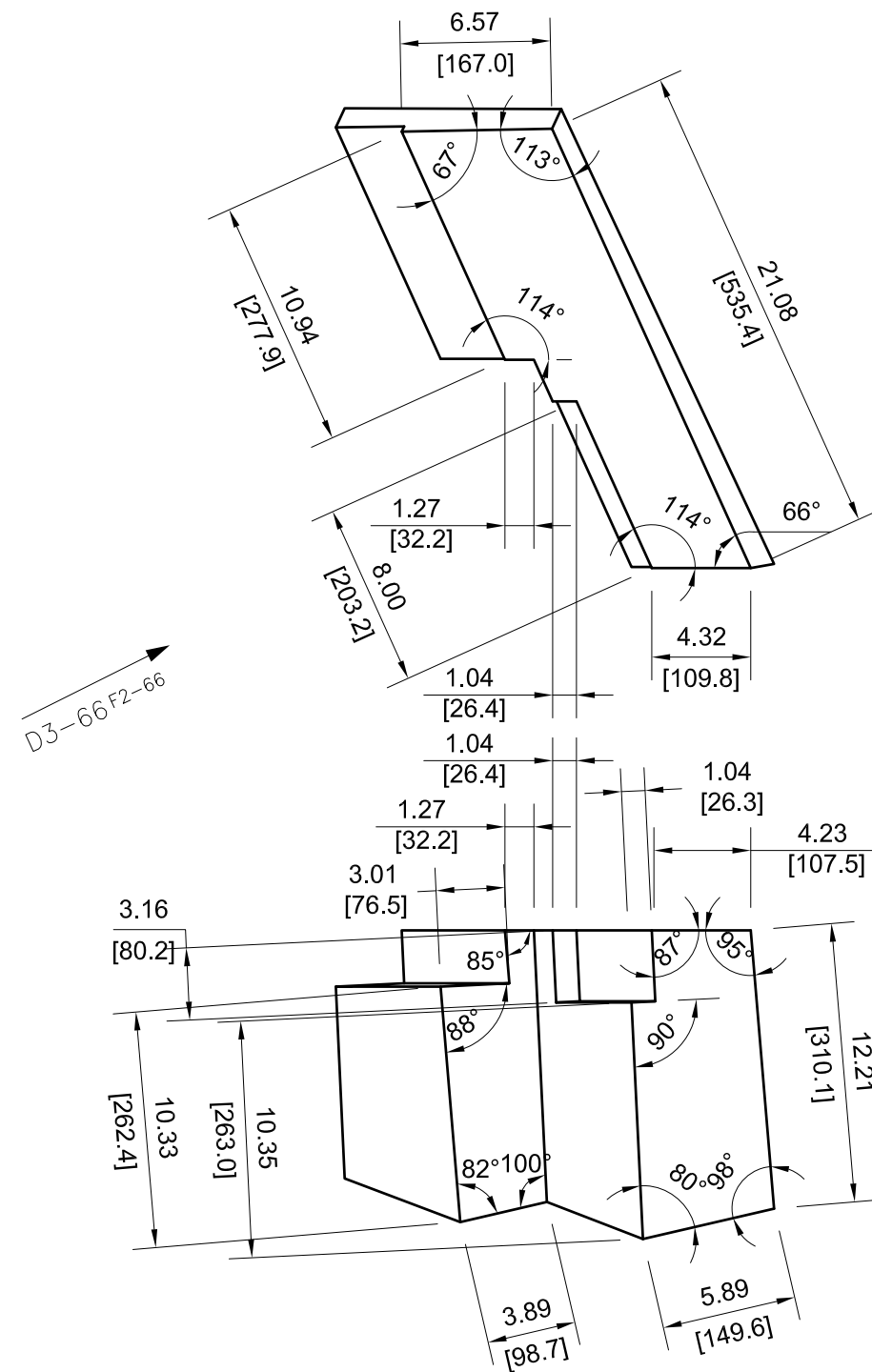
127



VIEW C6-66

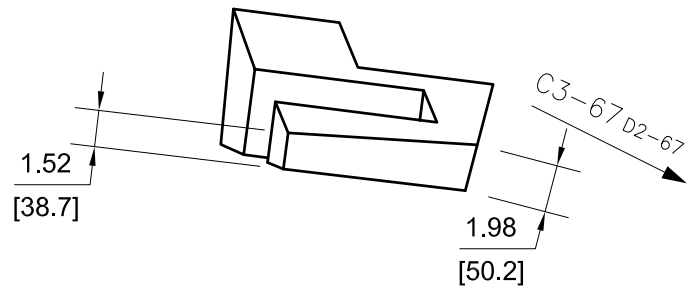


VIEW D3-66

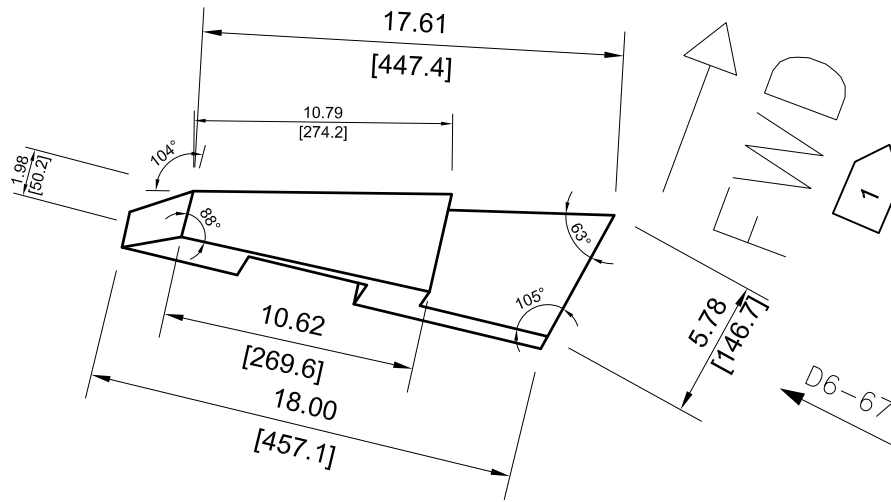
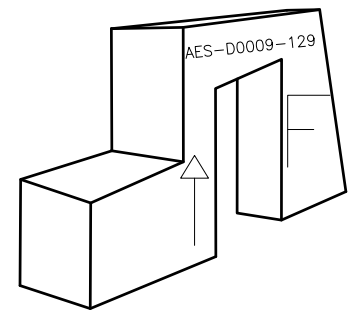
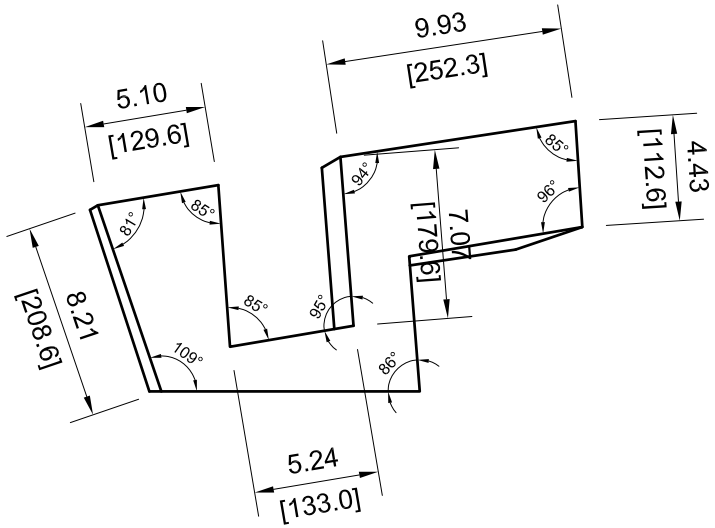


DRAWING NUMBER				
AES-D0009				
SIZE	SCALE	SHEET	OF	REVISION
A3	NONE	66	190	B

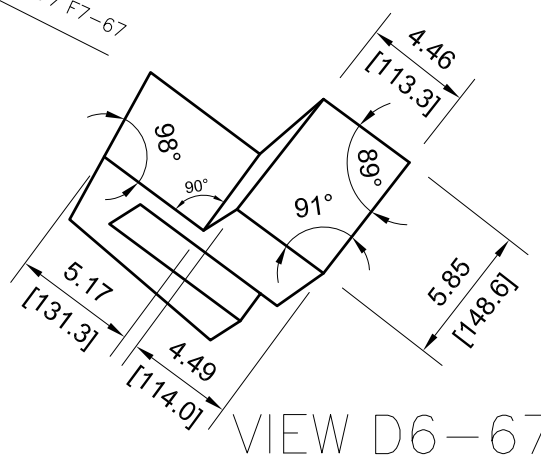
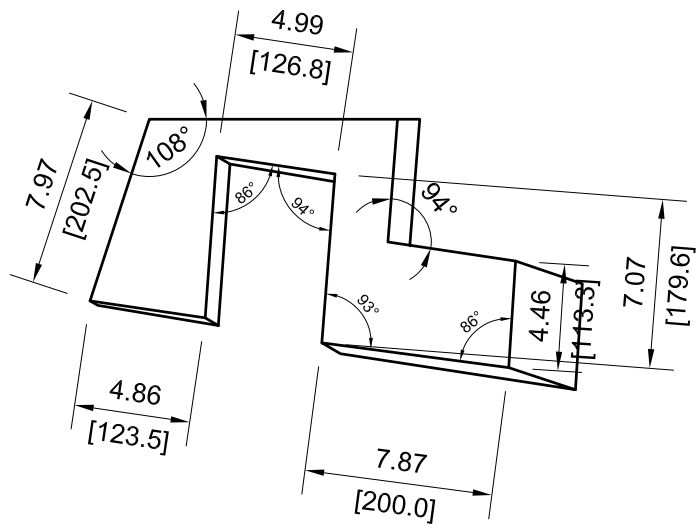
129



VIEW C3-67



FWD 1

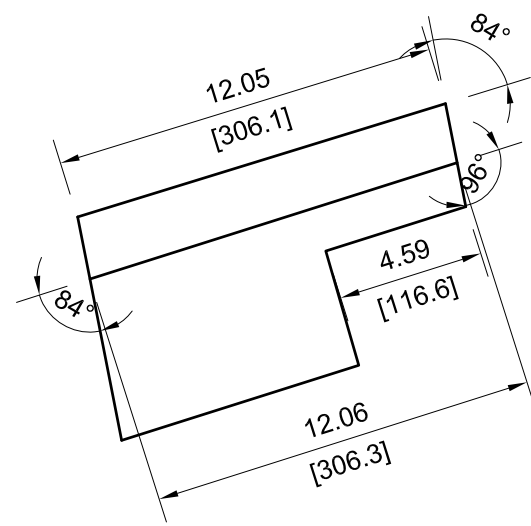
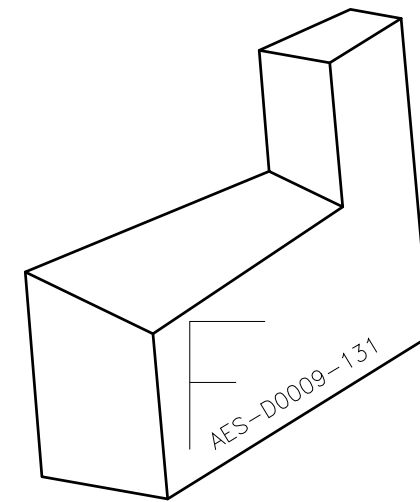
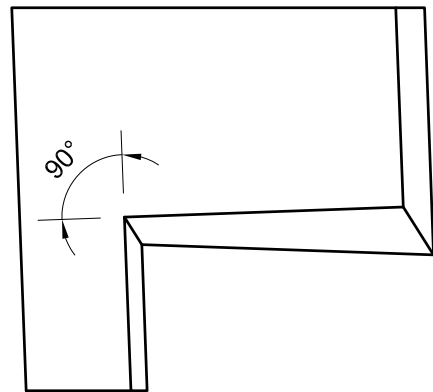


VIEW D6-67

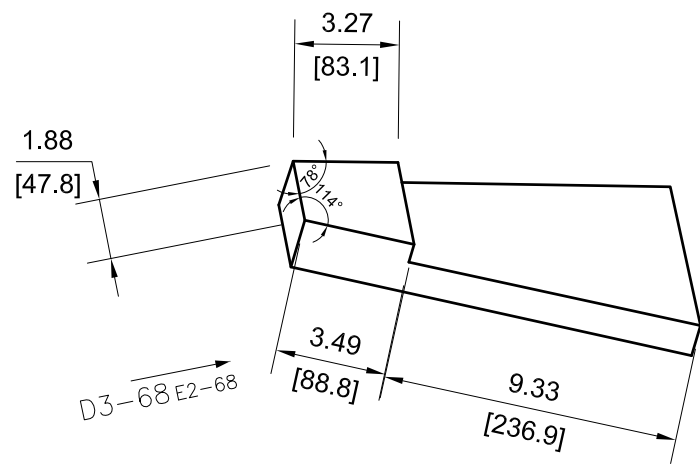


DRAWING NUMBER					AES-D0009				
SIZE	SCALE	SHEET	OF	REVISION					
A3	NONE	67	190	B					

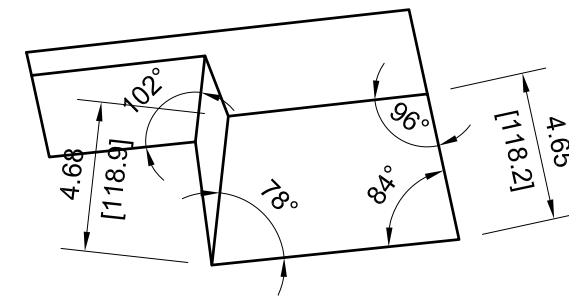
— 131



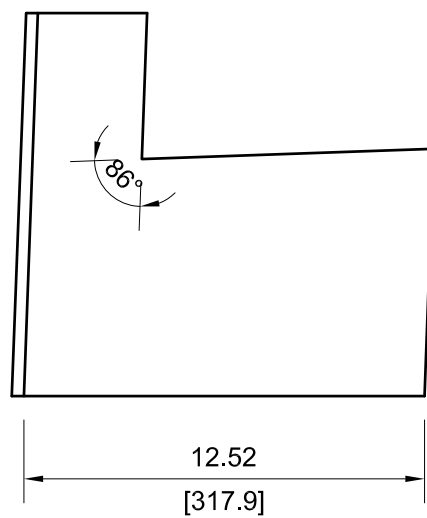
VIEW D3-68



C5-68 D7-68
 ↑
 FWD
 1

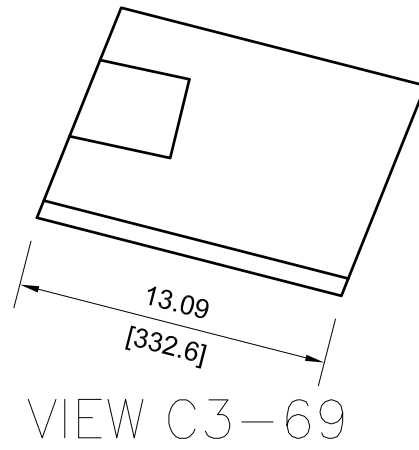


VIEW D6-68

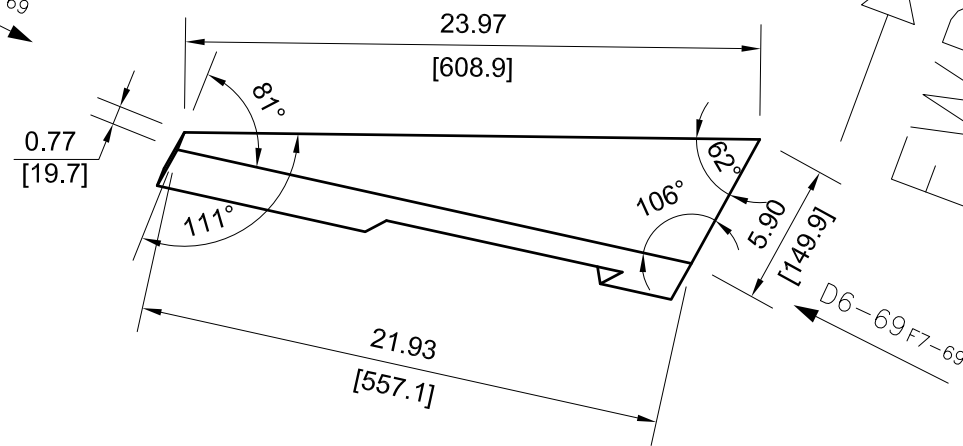
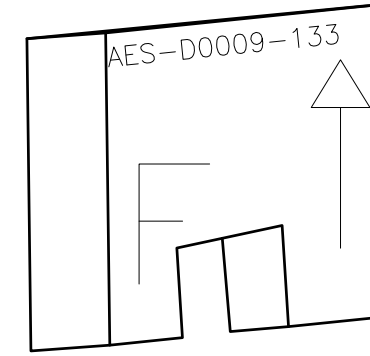
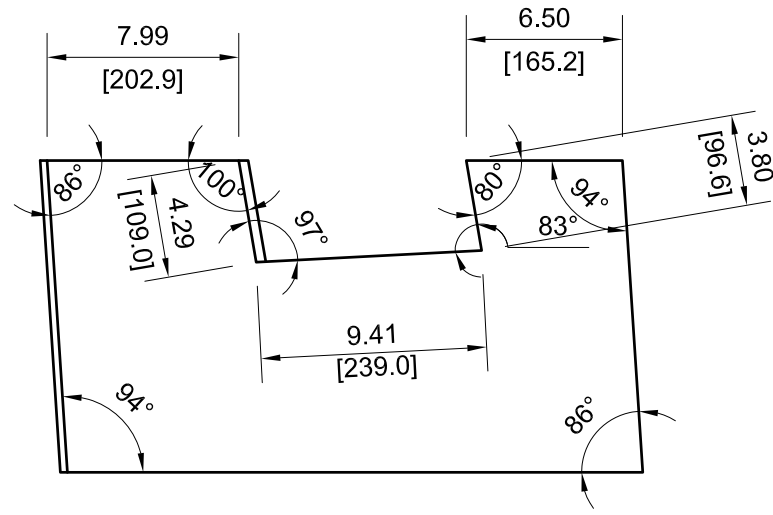


DRAWING NUMBER					AES-D0009	
SIZE	SCALE	SHEET	OF	REVISION		
A3	NONE	68	190	B		

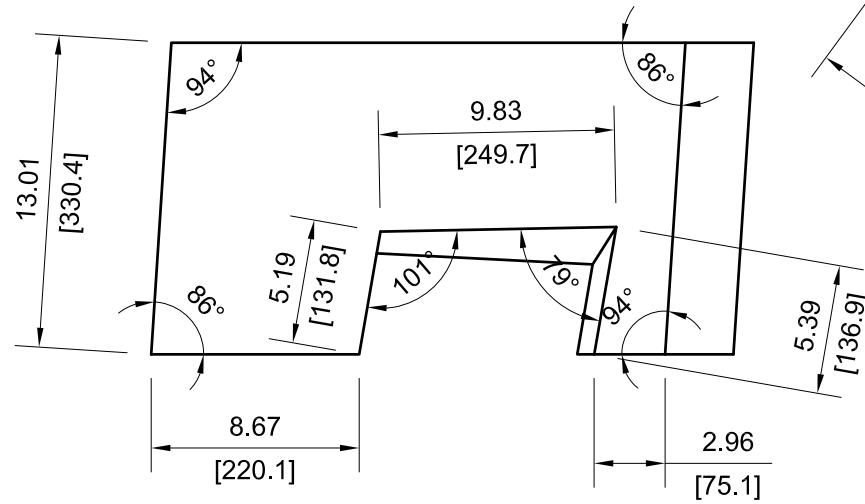
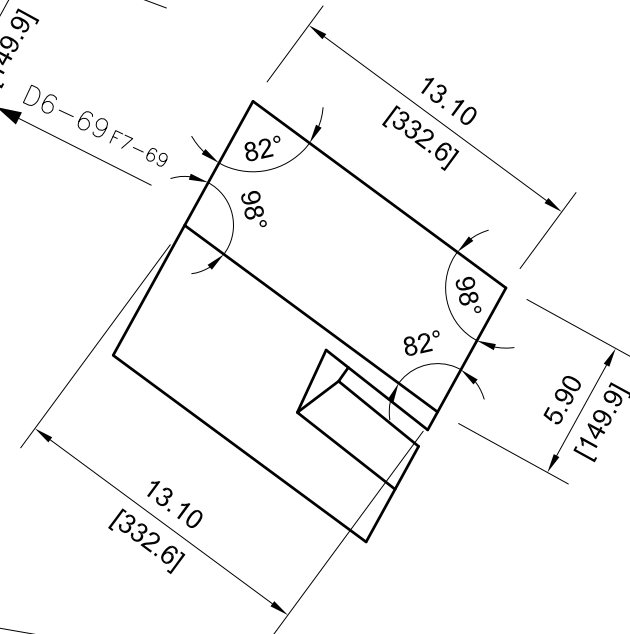
133



C3-69 C2-69

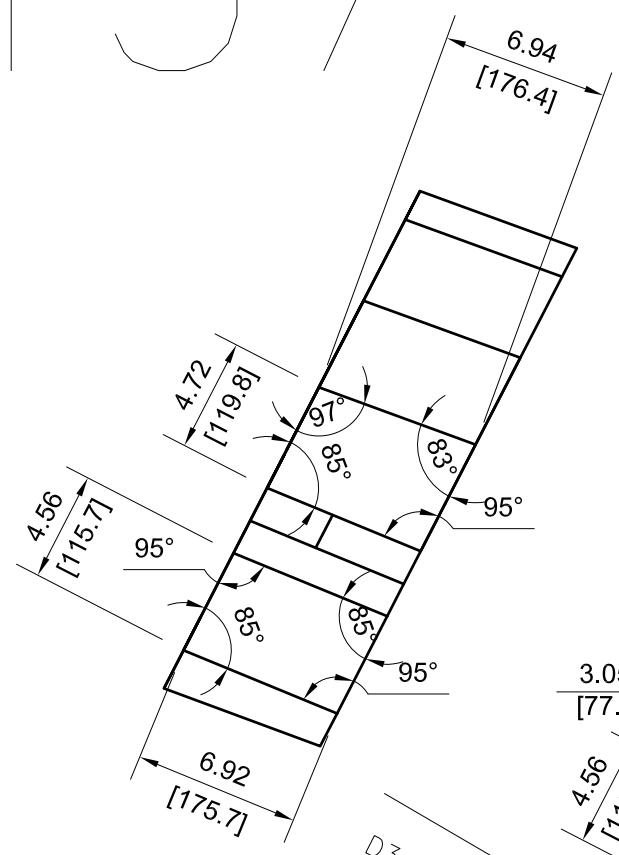


EWD 1

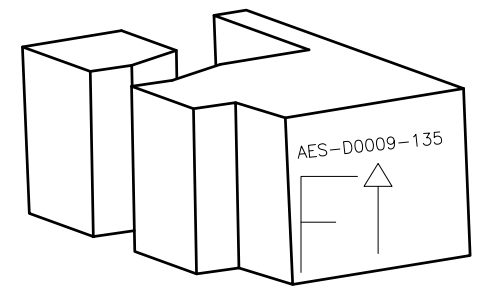
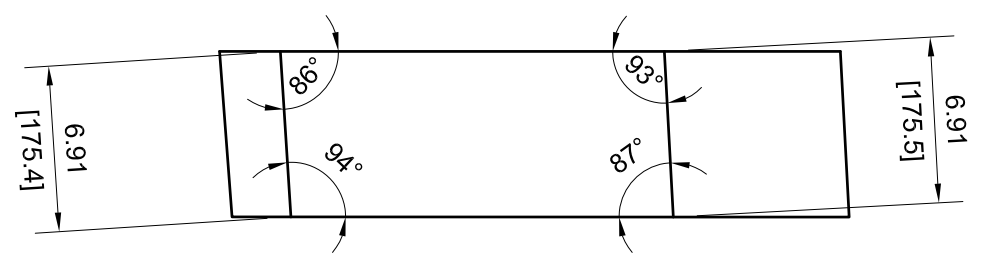
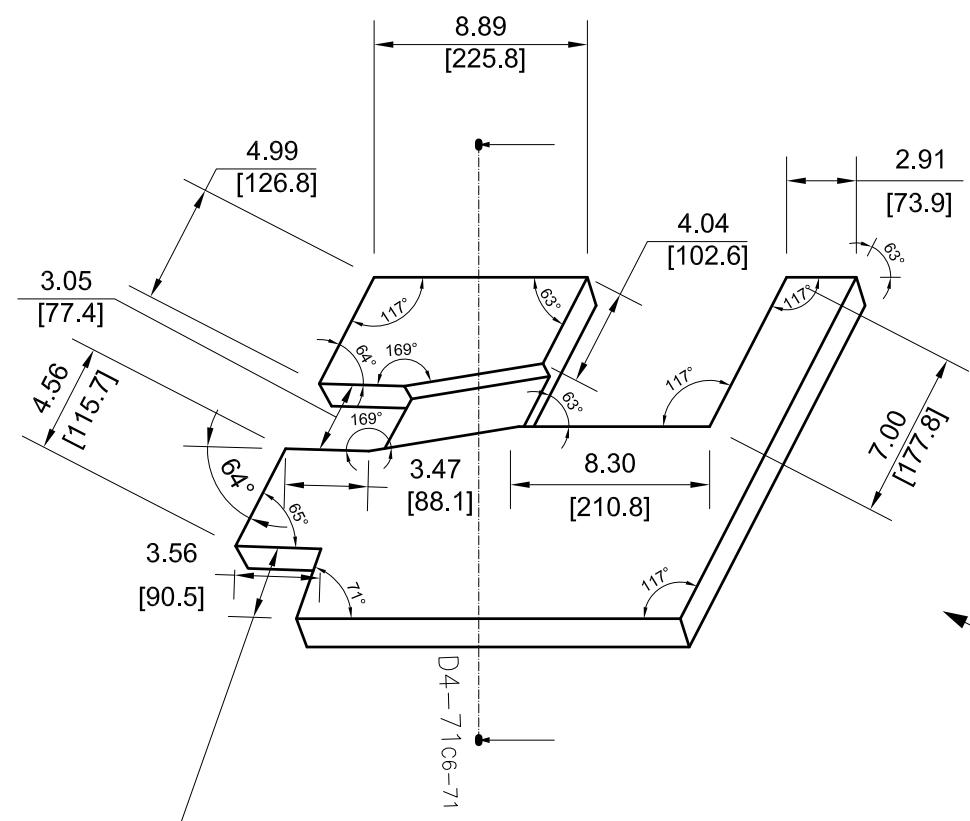
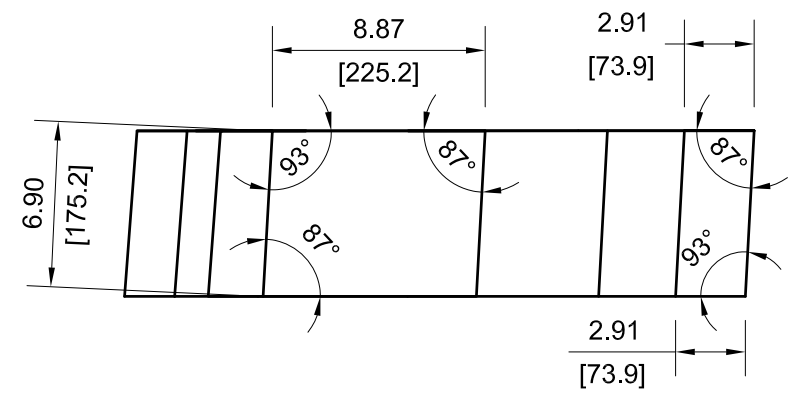


DRAWING NUMBER					AES-D0009	
SIZE	SCALE	SHEET	OF	REVISION		
A3	NONE	69	190	B		

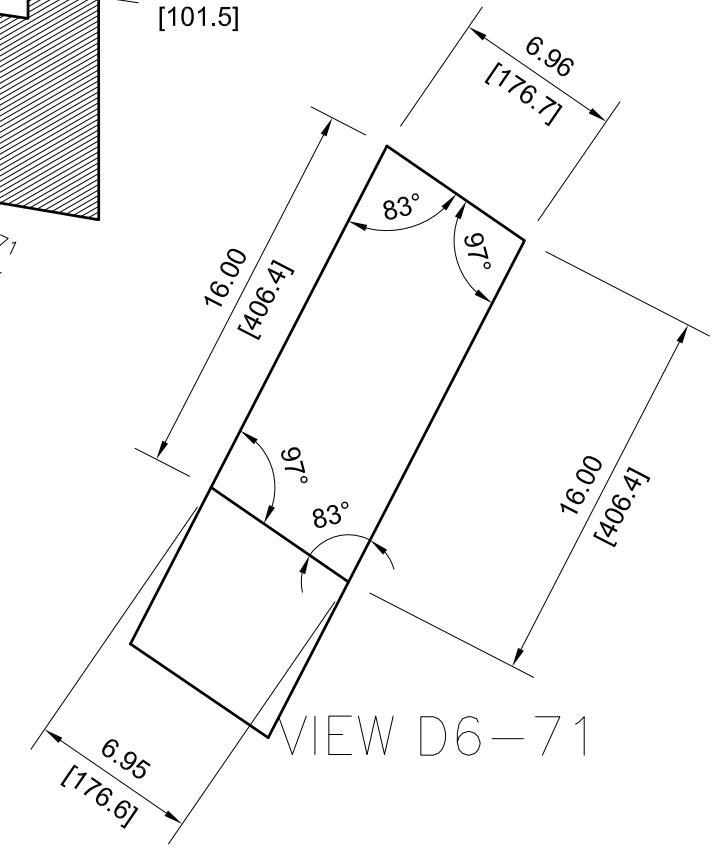
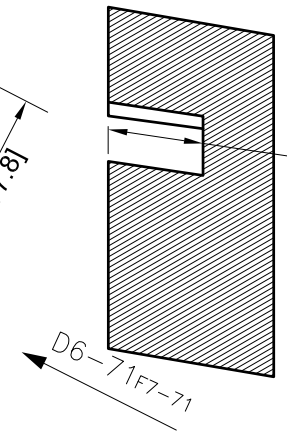
137



VIEW D3-71



SECTION VIEW D4-71

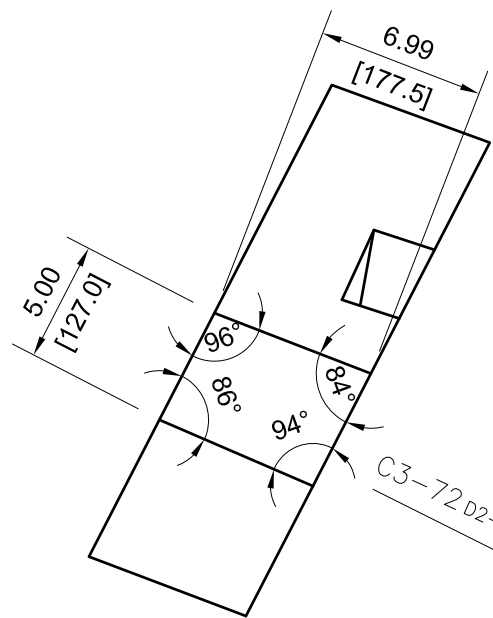


VIEW D6-71

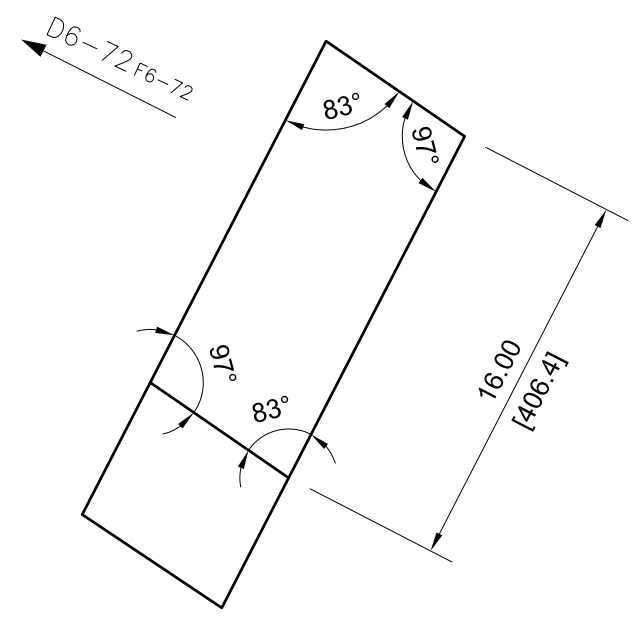
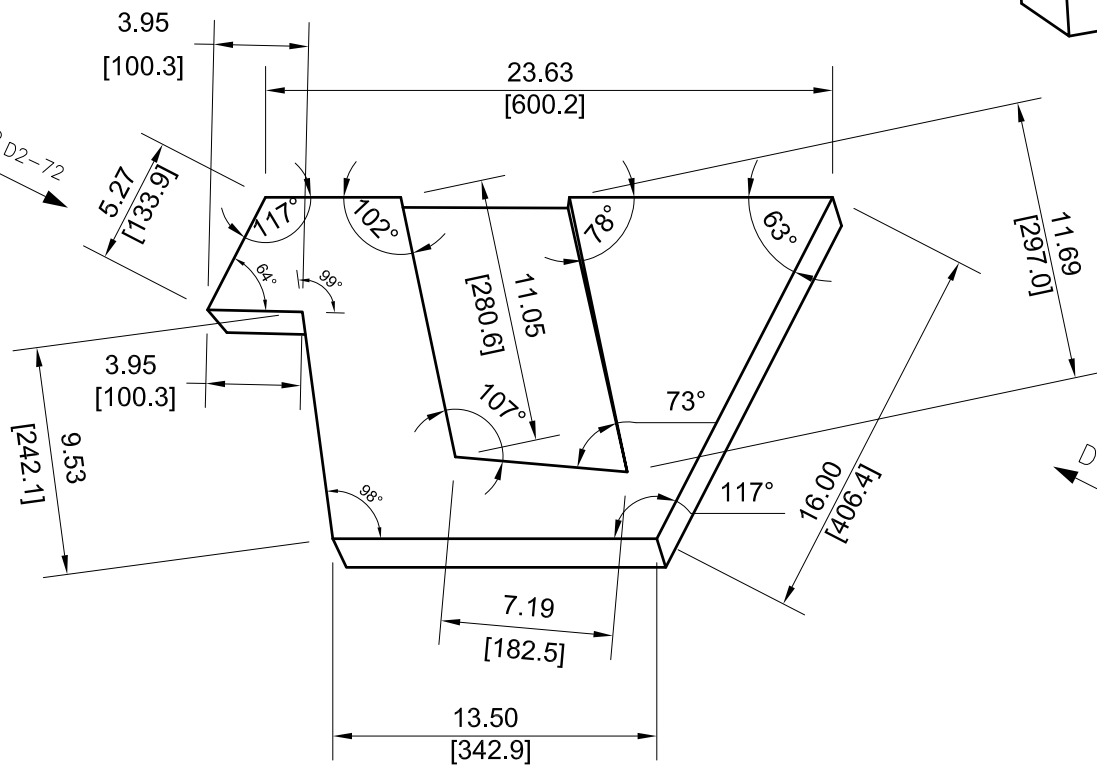
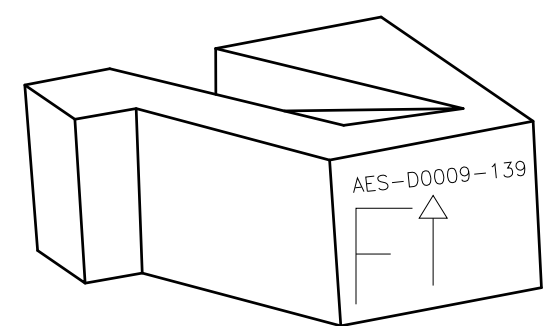
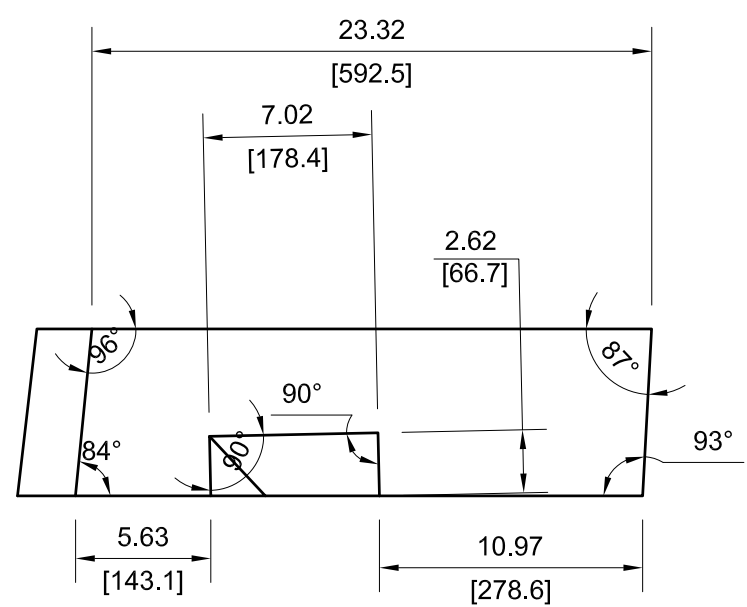


DRAWING NUMBER					AES-D0009	
SIZE	SCALE	SHEET	OF	REVISION		
A3	NONE	71	190	B		

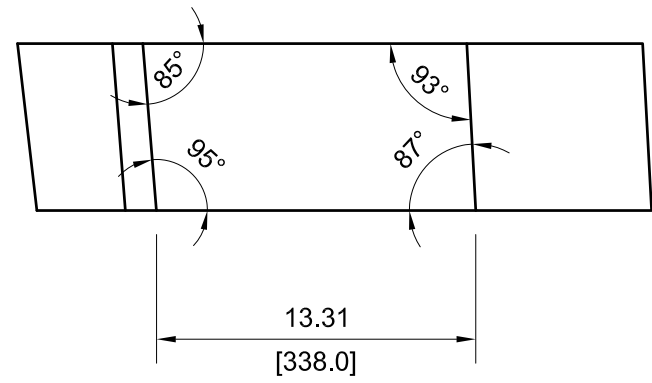
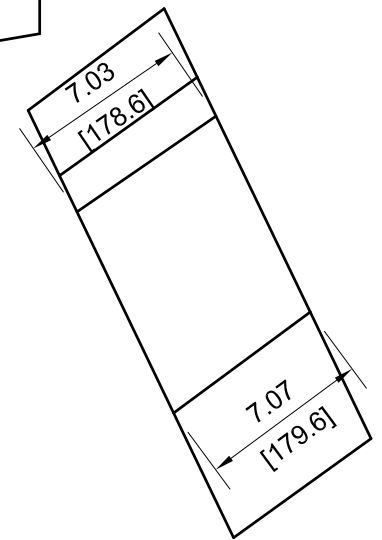
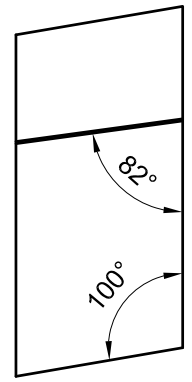
139



VIEW C3-72



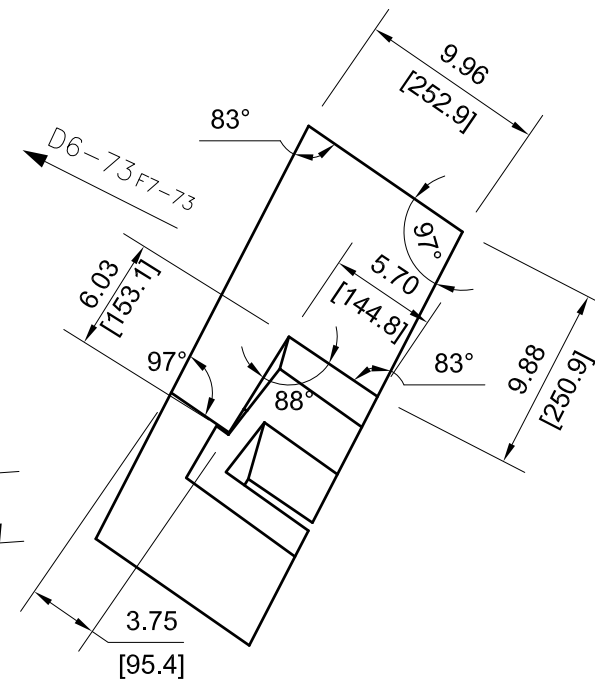
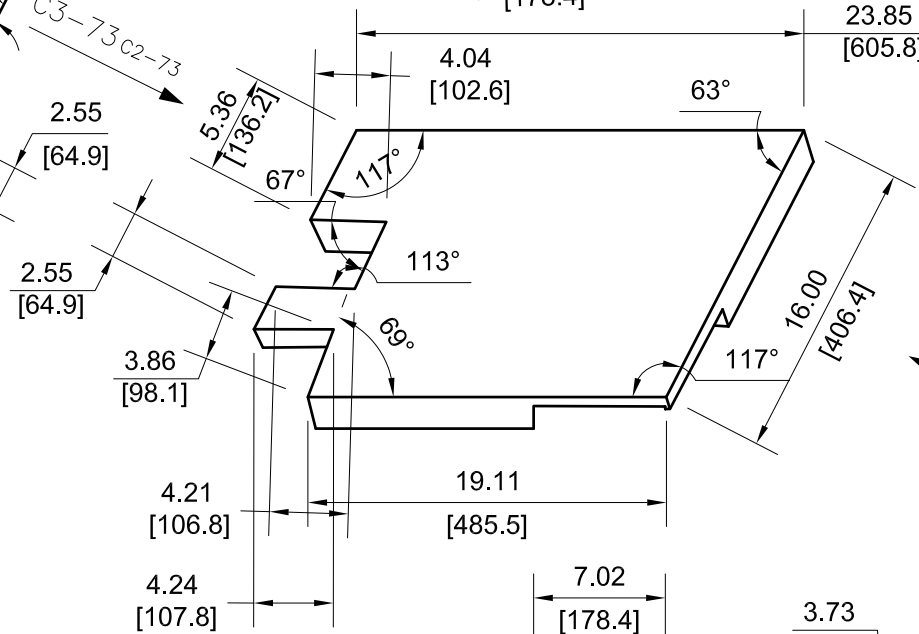
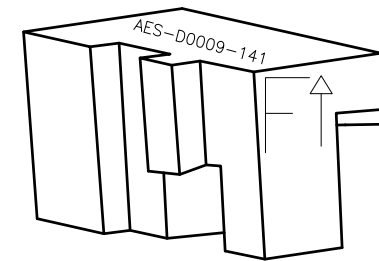
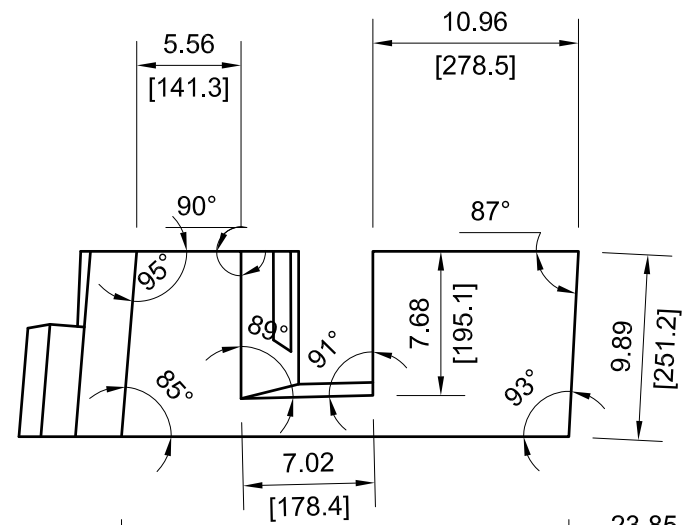
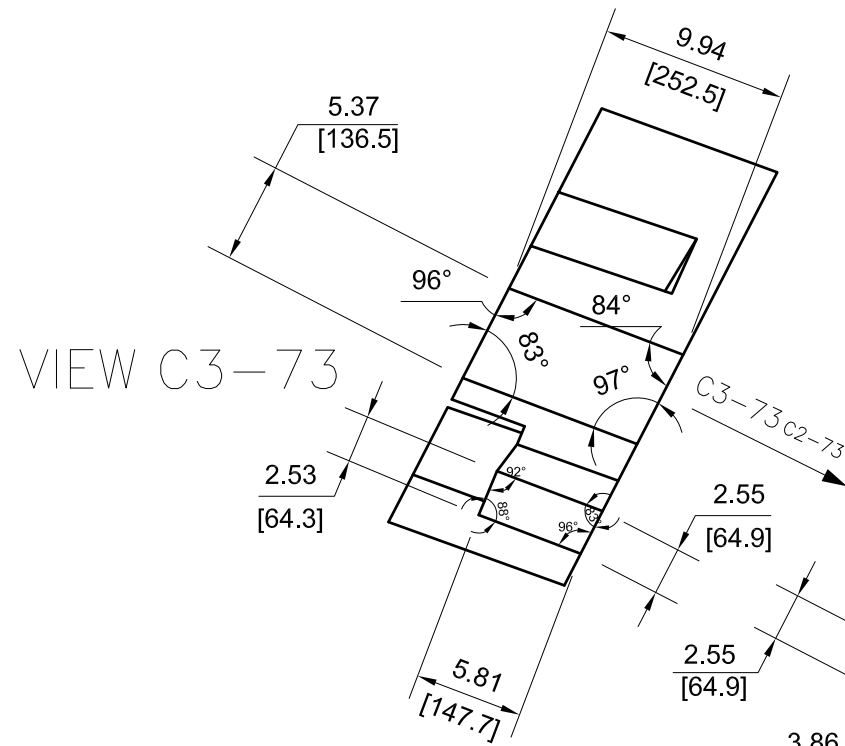
VIEW D6-72



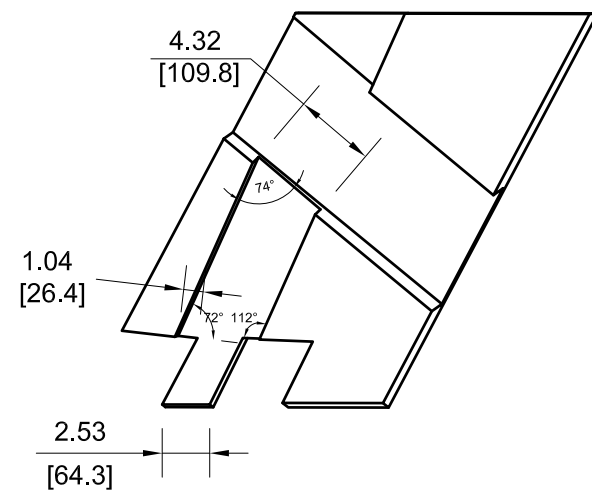
DRAWING NUMBER				
AES-D0009				
SIZE	SCALE	SHEET	OF	REVISION
A3	NONE	72	190	B

141

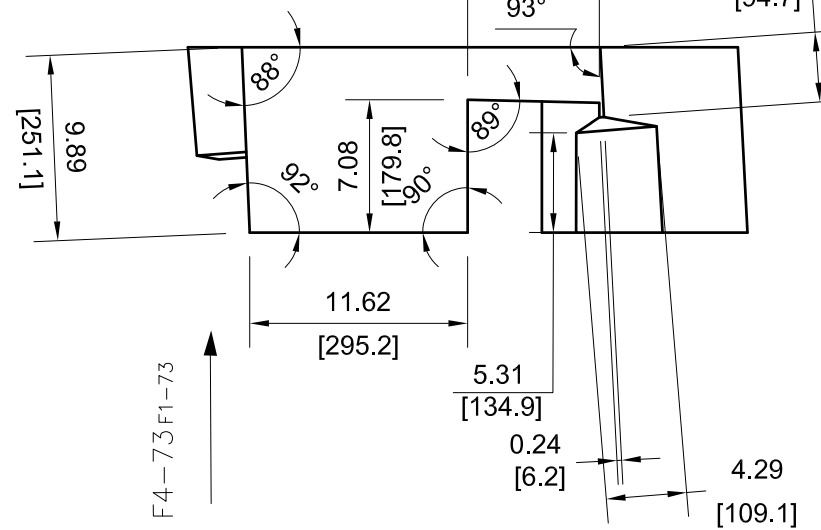
VIEW C3-73



VIEW D6-73



VIEW F1-73

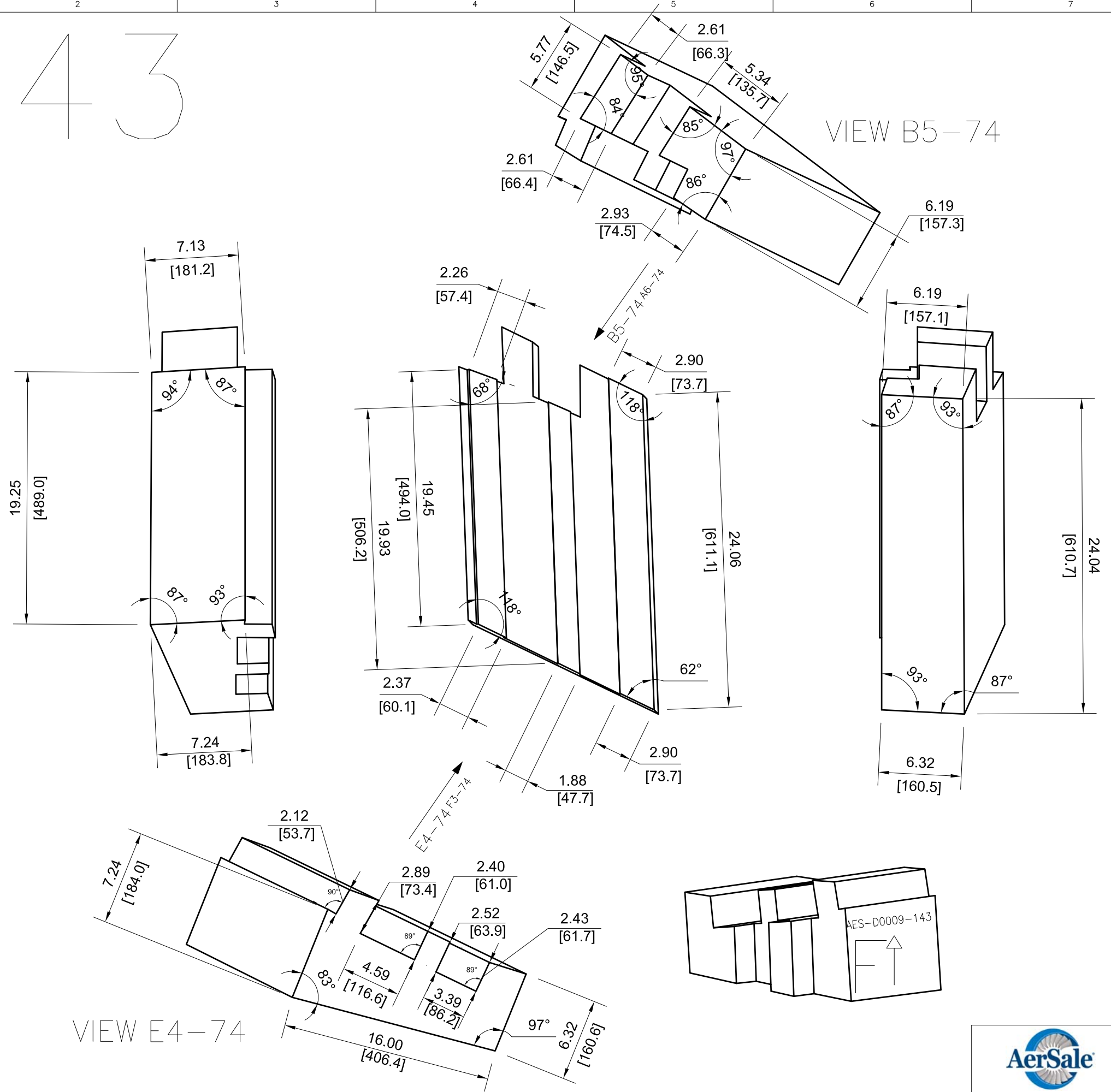


F4-73 F1-73



DRAWING NUMBER				
AES-D0009				
SIZE	SCALE	SHEET	OF	REVISION
A3	NONE	73	190	B

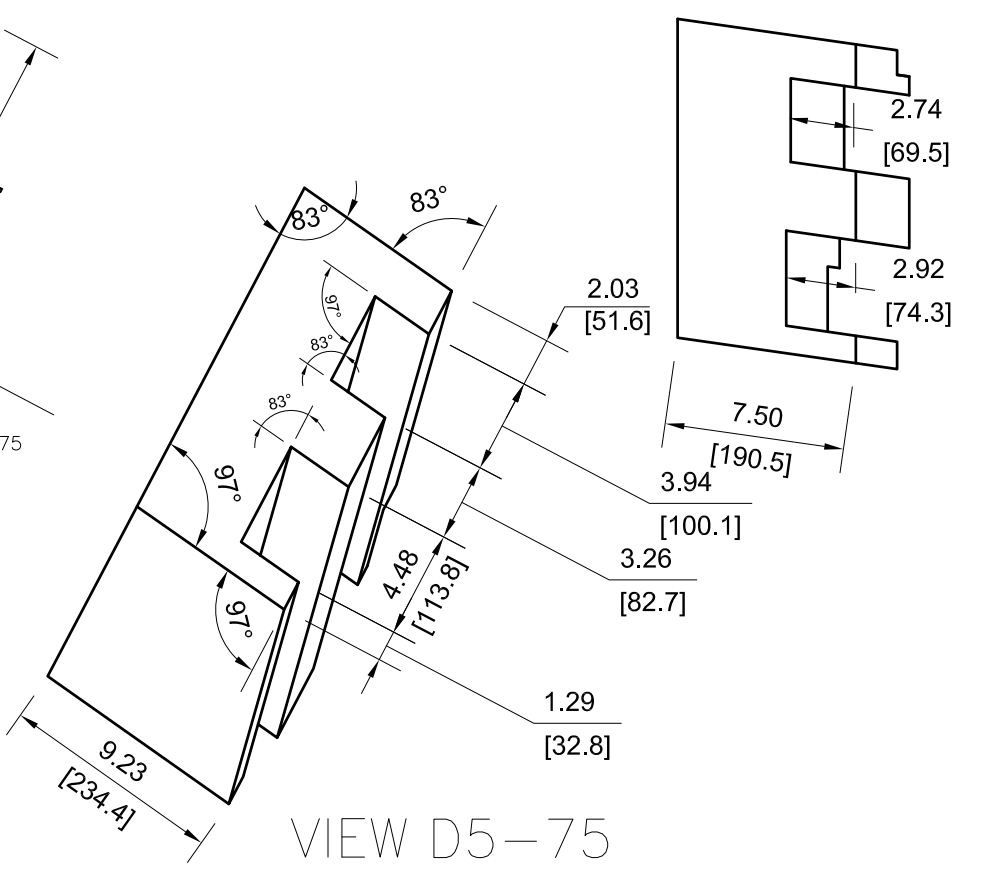
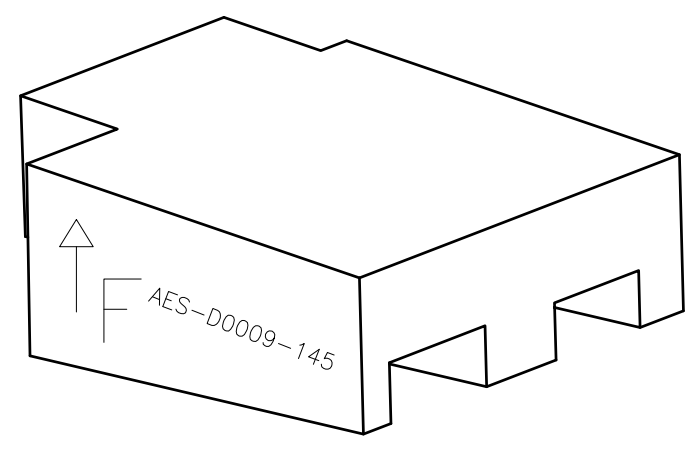
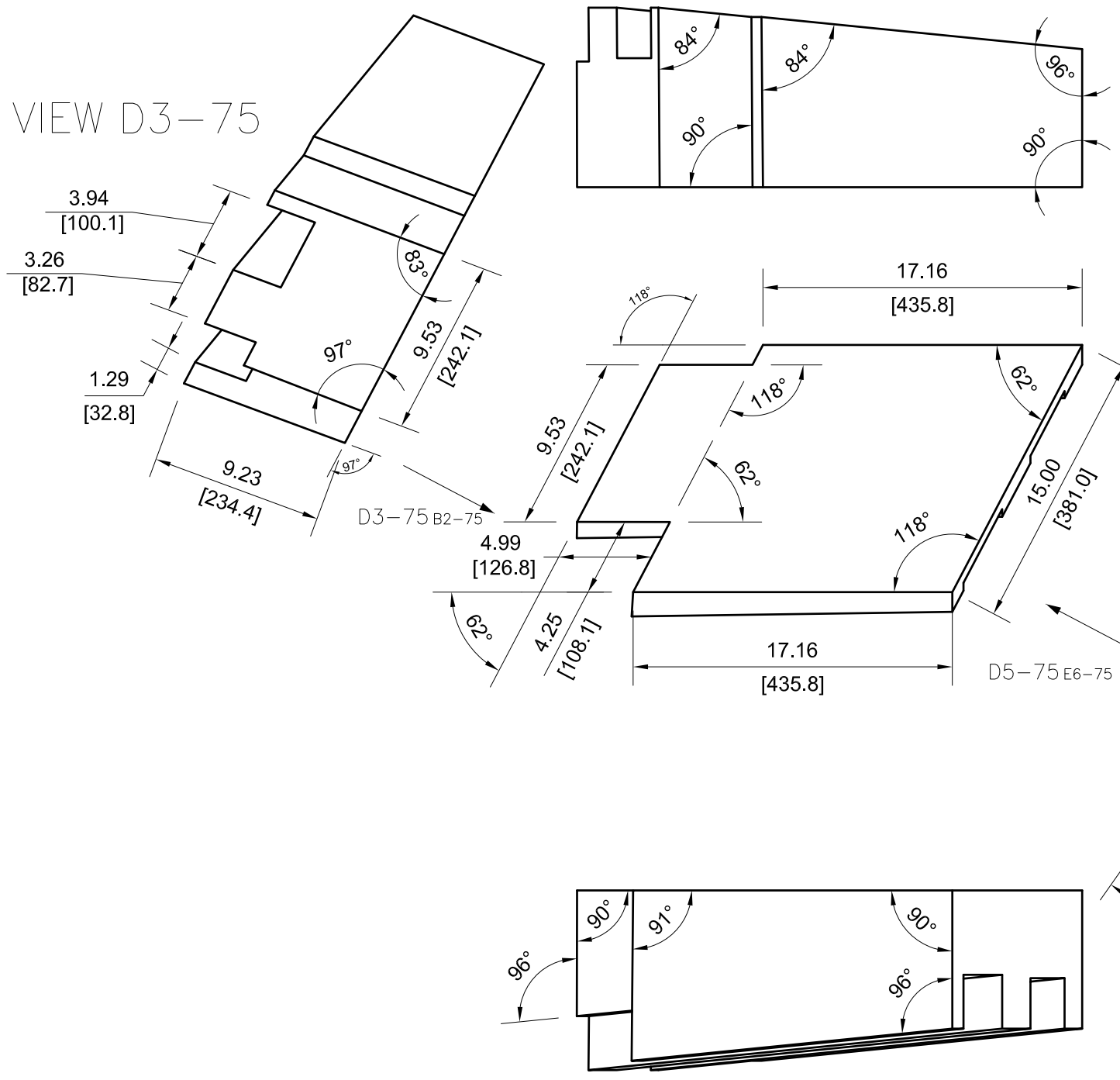
143



		DRAWING NUMBER			
		AES-D0009			
SIZE	SCALE	SHEET	OF	REVISION	
A3	NONE	74	190	B	

145

VIEW D3-75

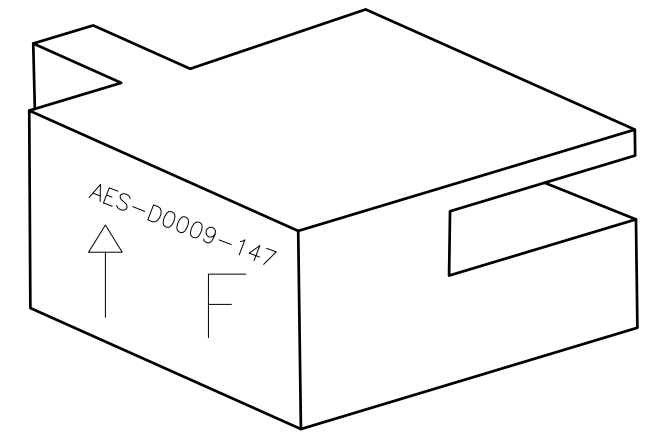


VIEW D5-75

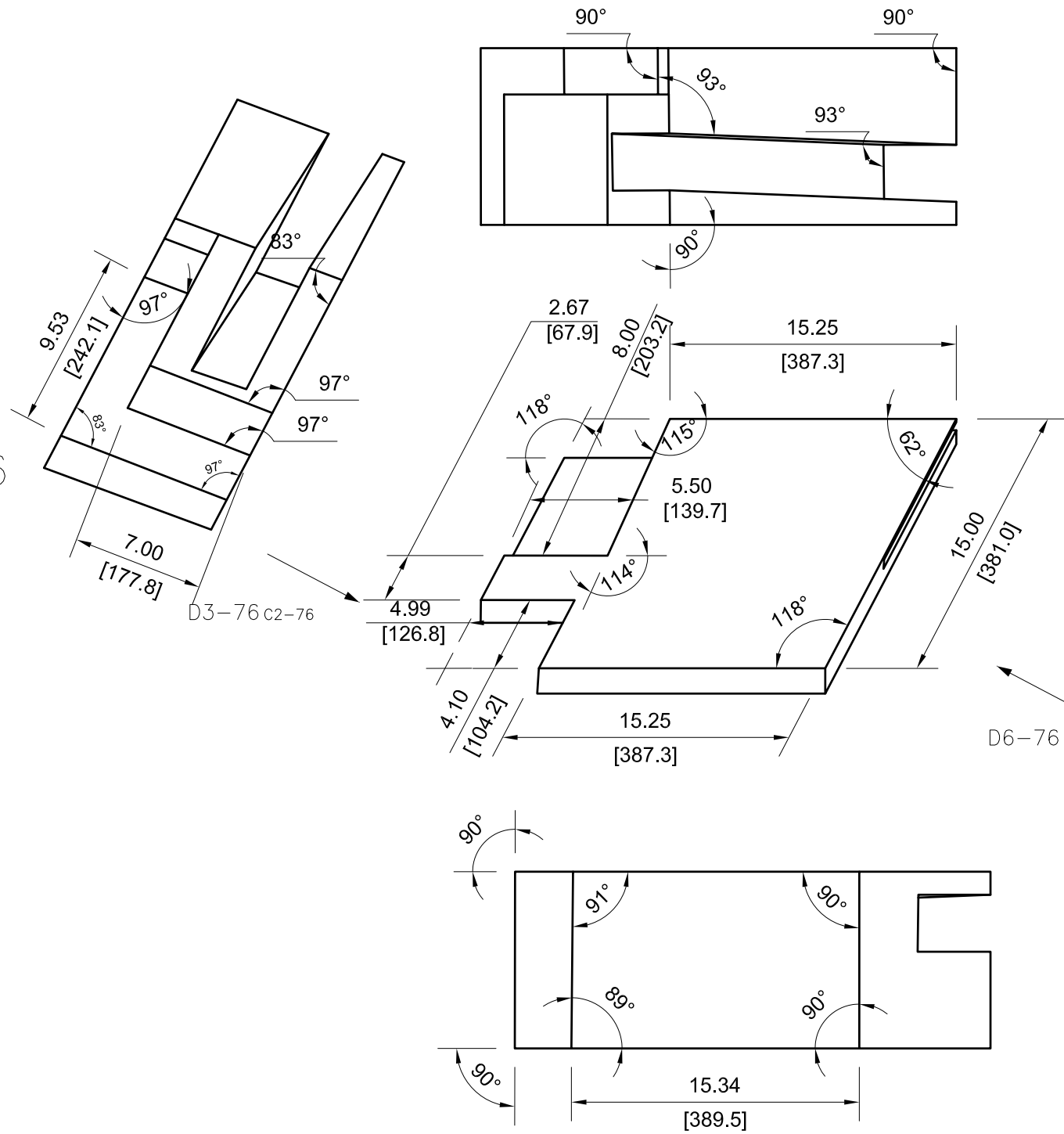


DRAWING NUMBER					AES-D0009	
SIZE	SCALE	SHEET	OF	REVISION		
A3	NONE	75	190	B		

147



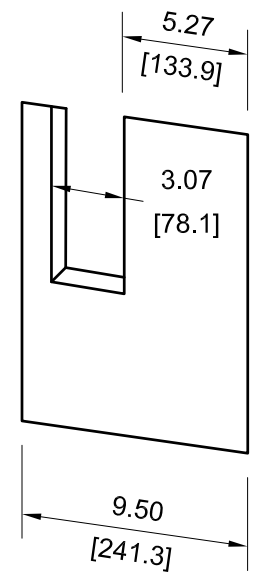
VIEW D3-76



D3-76 C2-76

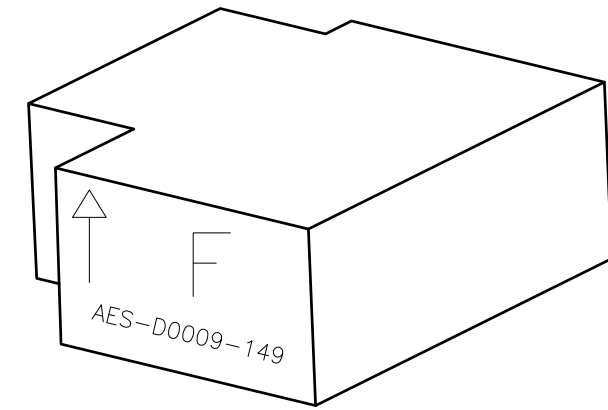
D6-76 F7-76

VIEW D6-76

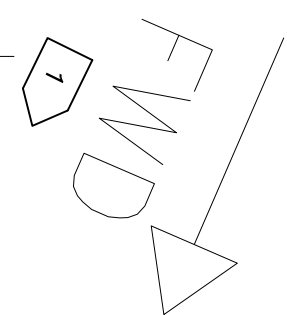
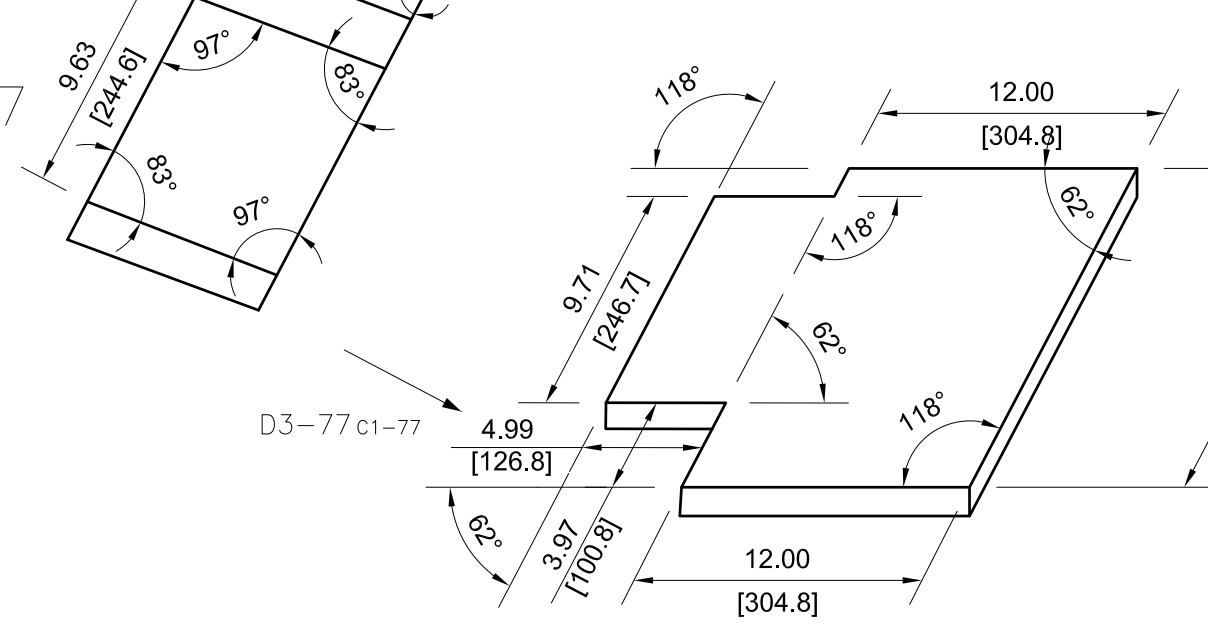
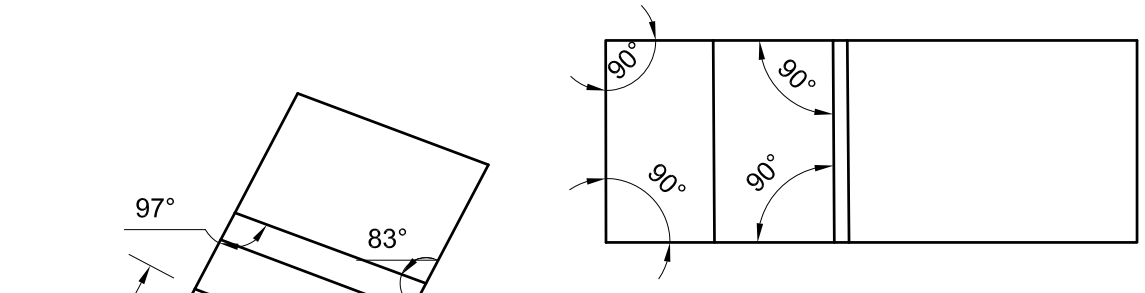


DRAWING NUMBER				
AES-D0009				
SIZE	SCALE	SHEET	OF	REVISION
A3	NONE	76	190	B

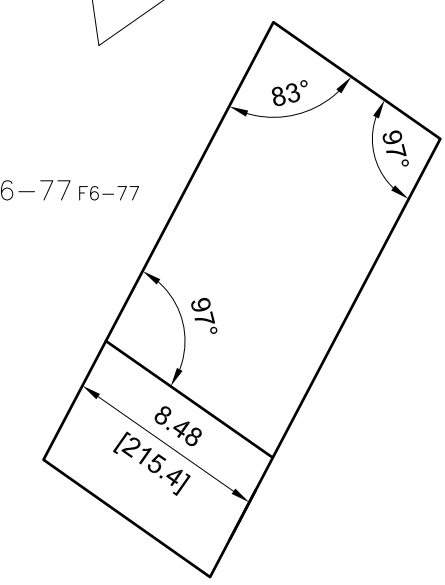
149



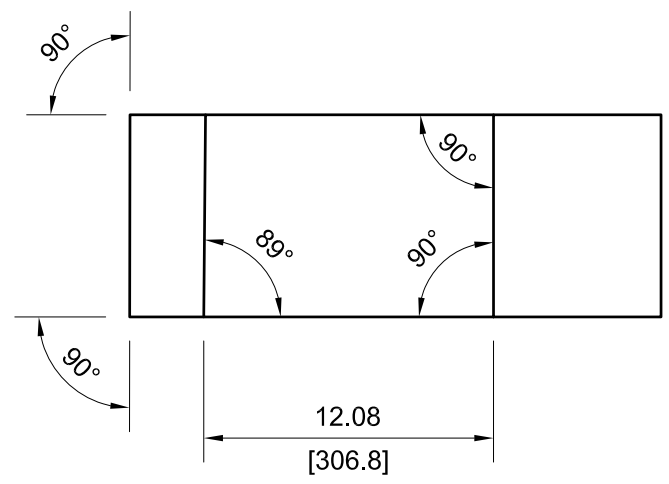
VIEW D3-77



D6-77 F6-77



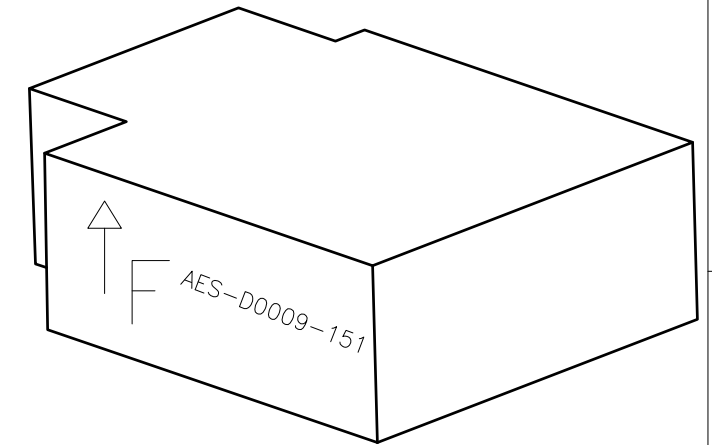
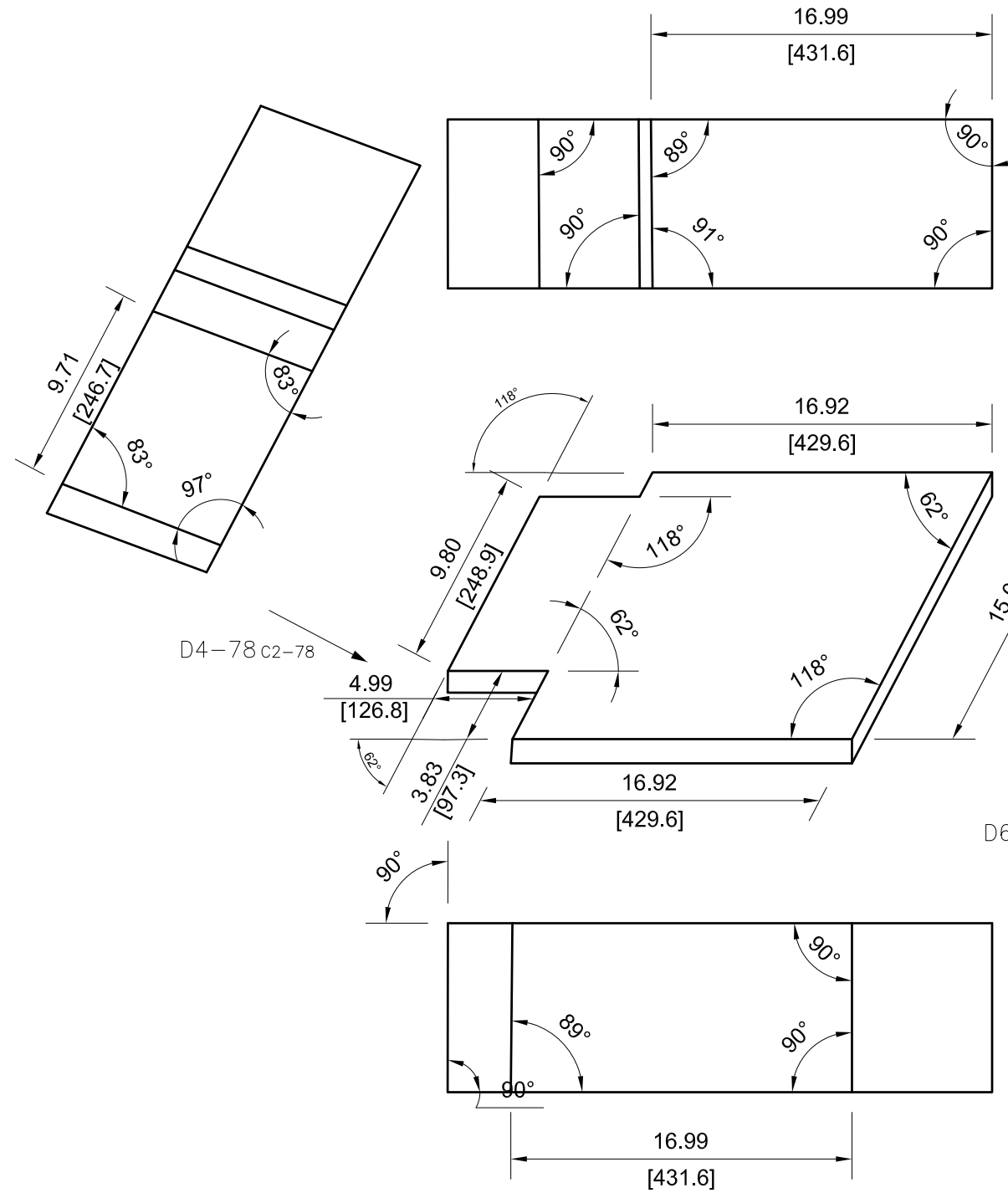
VIEW D6-77



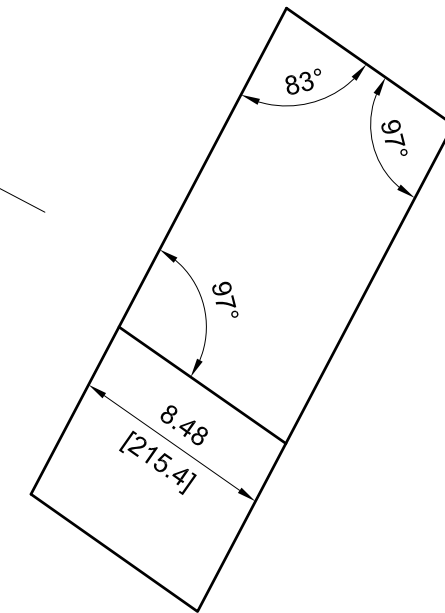
DRAWING NUMBER					AES-D0009				
SIZE	SCALE	SHEET	OF	REVISION					
A3	NONE	77	190	B					

151

VIEW D4-78



FWD



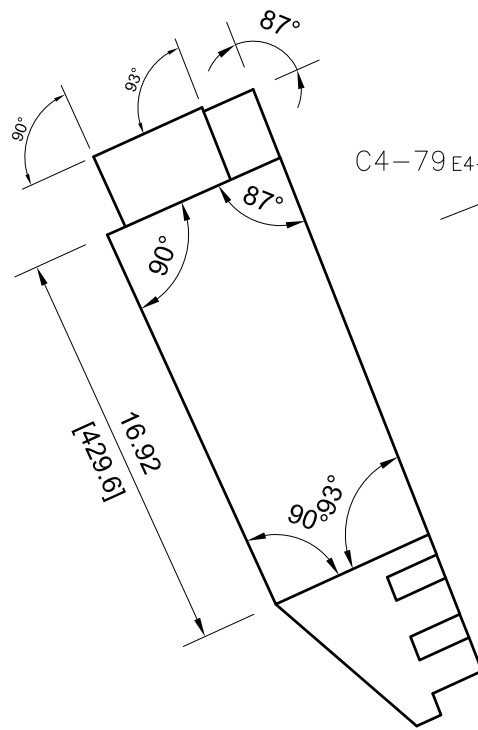
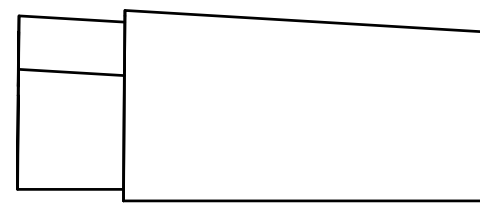
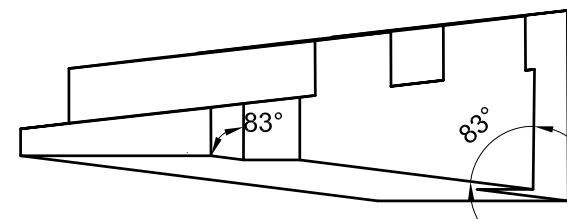
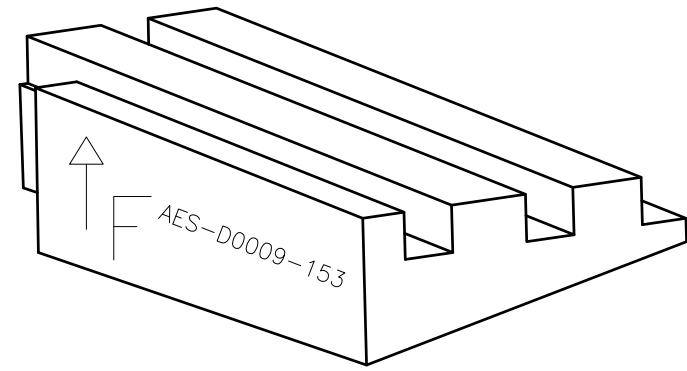
VIEW D6-78

D6-78 F7-78

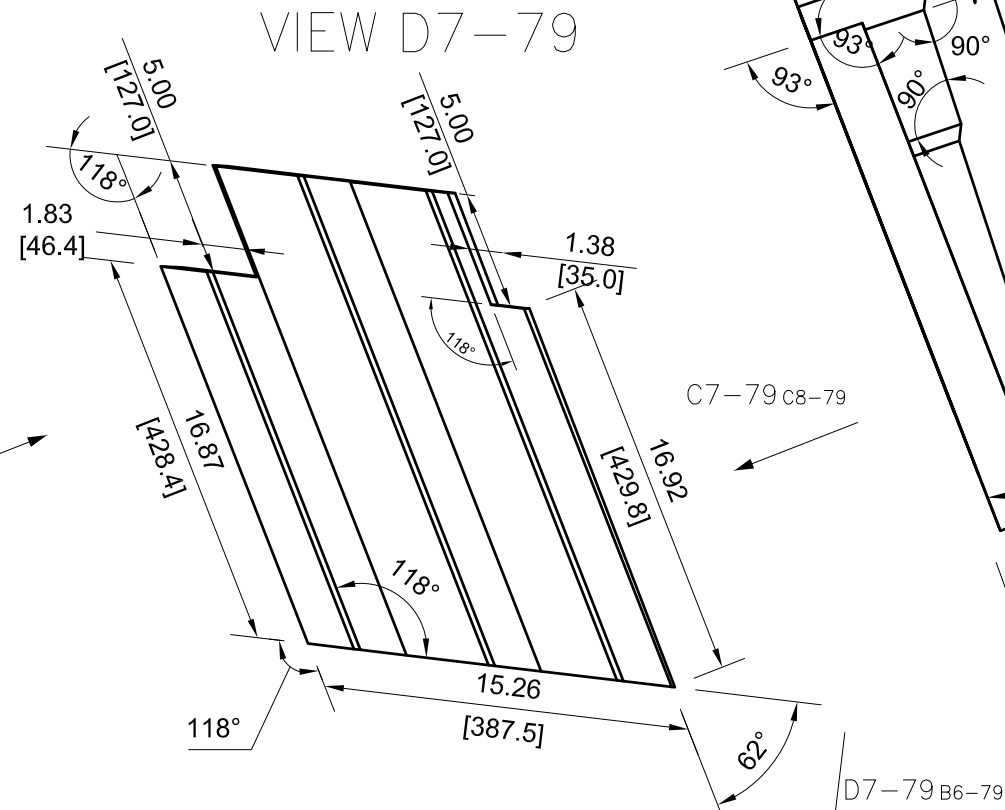


DRAWING NUMBER					AES-D0009	
SIZE	SCALE	SHEET	OF	REVISION		
A3	NONE	78	190	B		

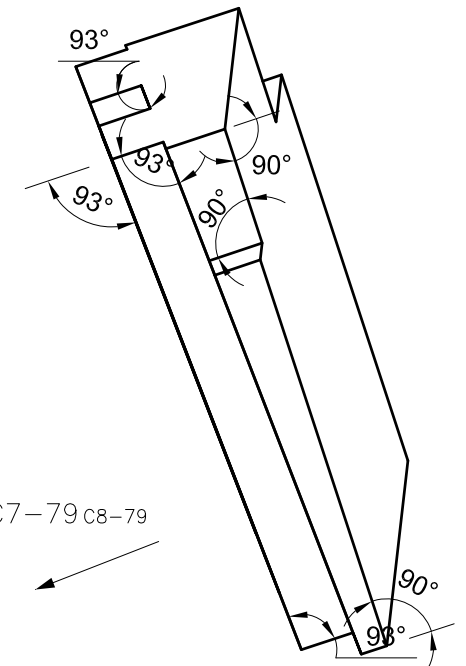
-153



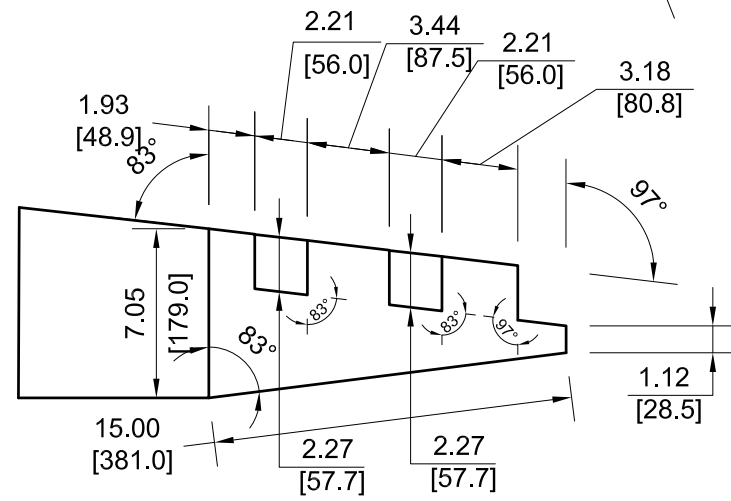
VIEW C4-79



VIEW D7-79



VIEW C7-79

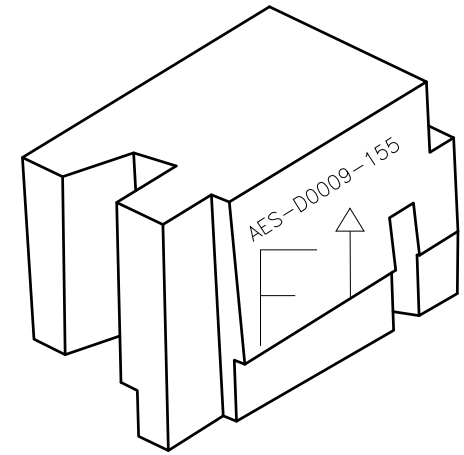
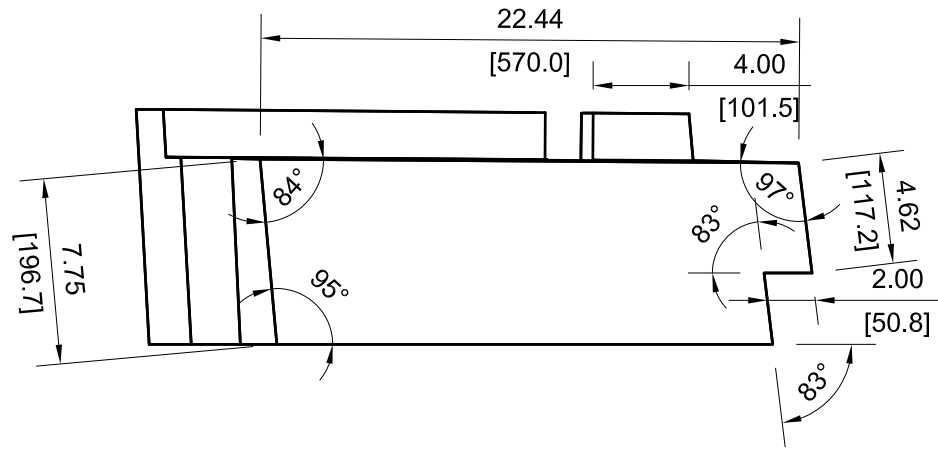


D7-79 B6-79

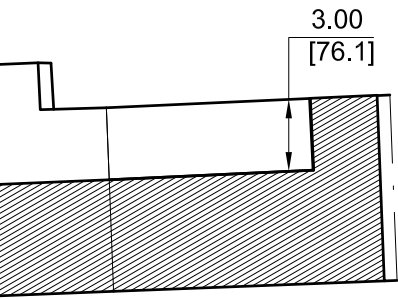
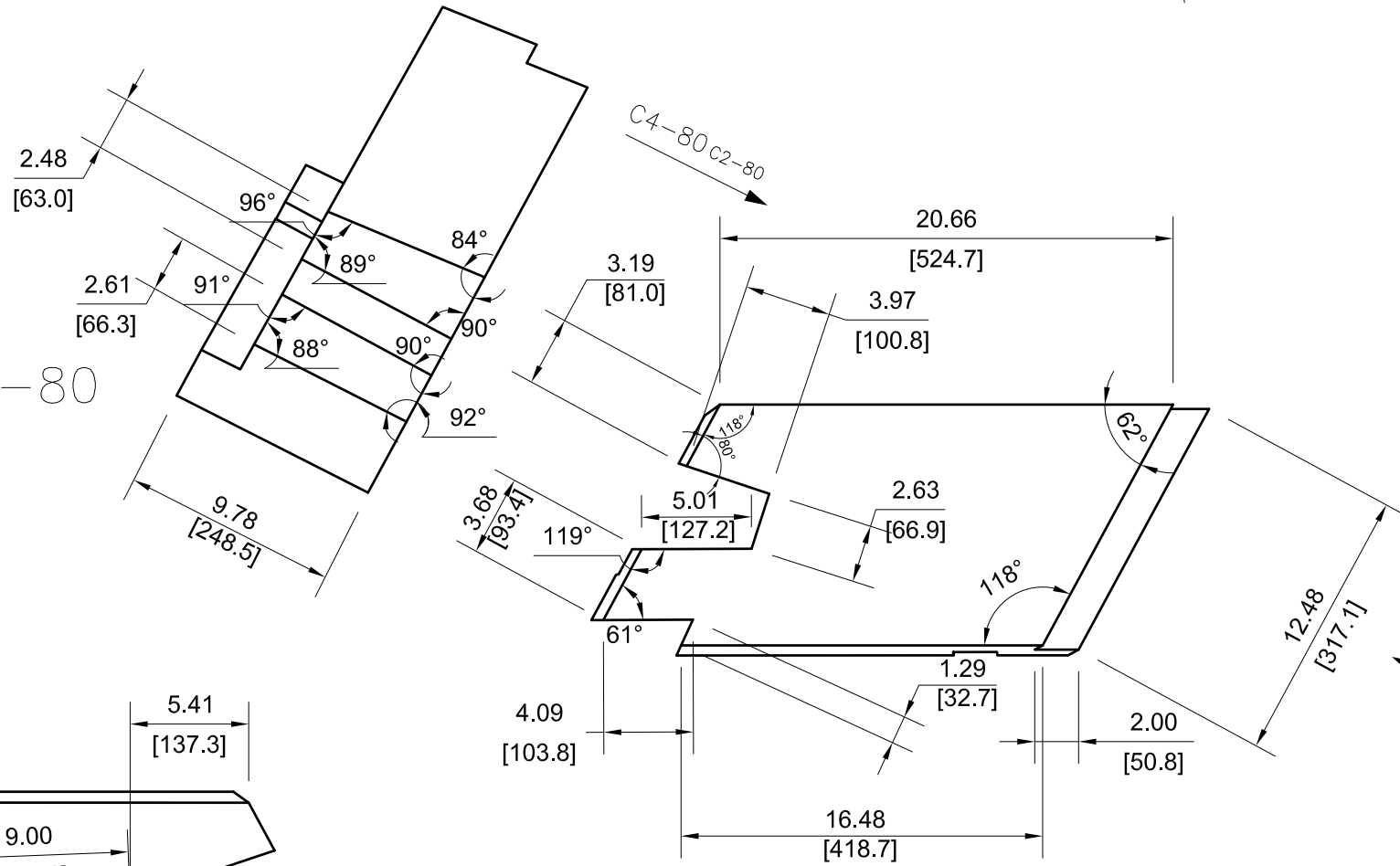


DRAWING NUMBER				
AES-D0009				
SIZE	SCALE	SHEET	OF	REVISION
A3	NONE	79	190	B

155



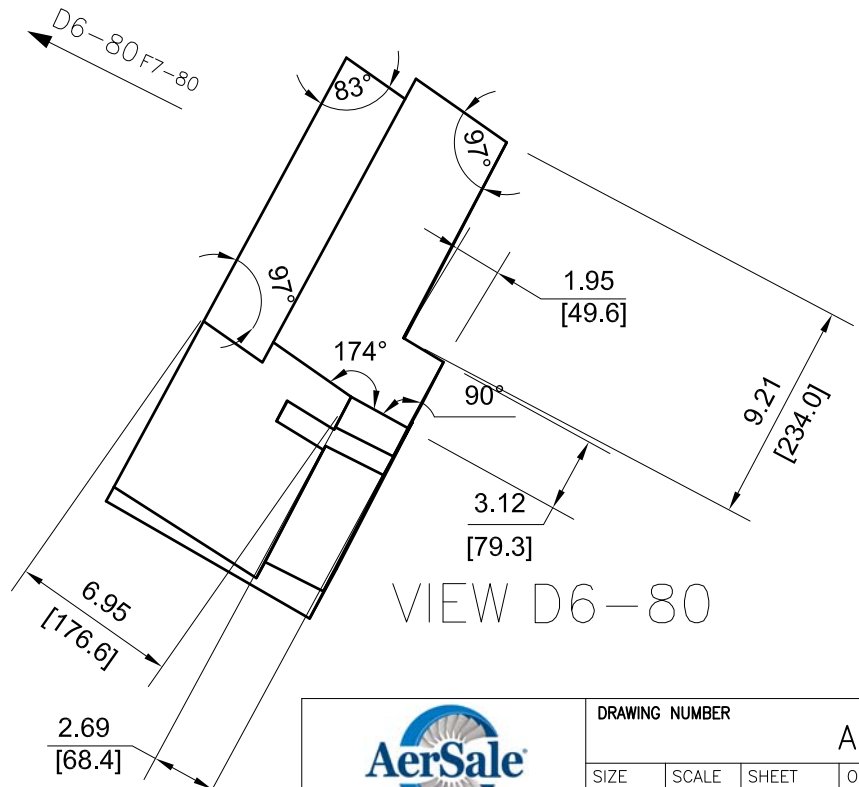
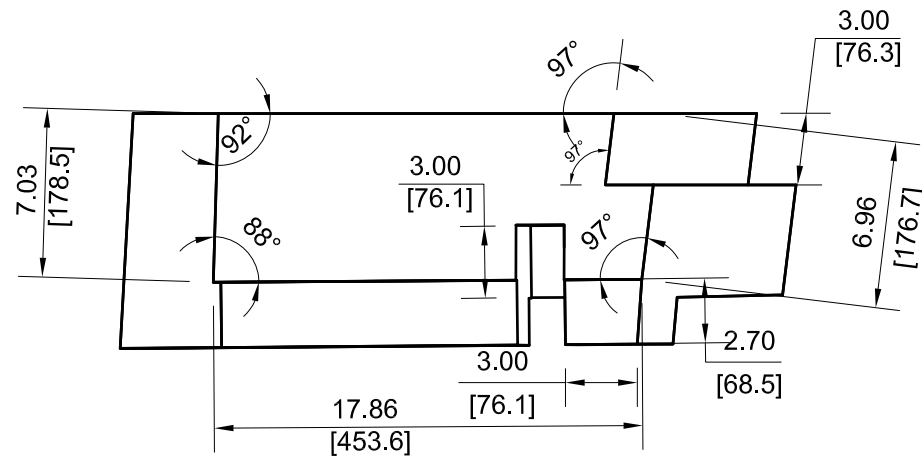
VIEW C4-80



SECTION VIEW E2-80



REAR VIEW RELATIVE TO VIEW D4-80

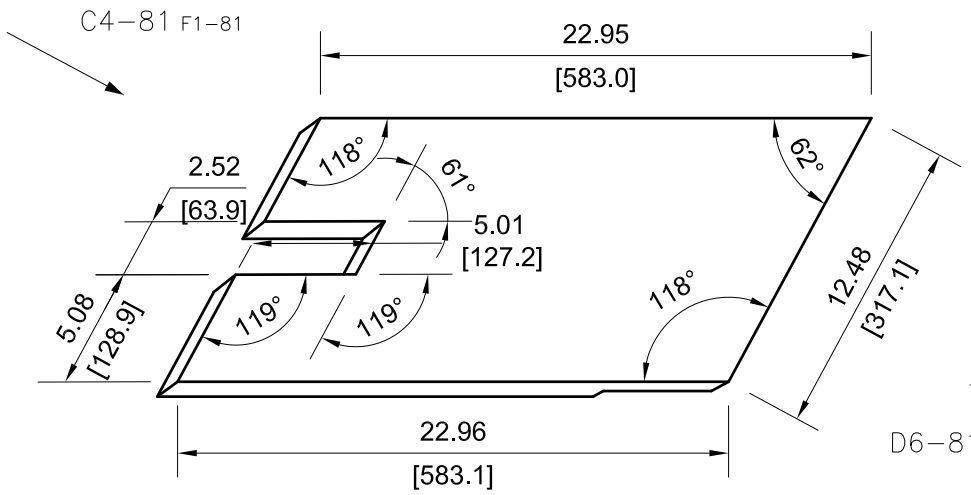
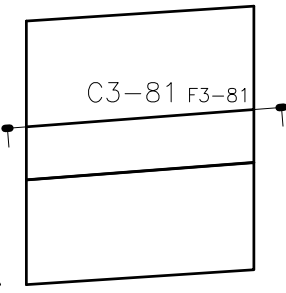
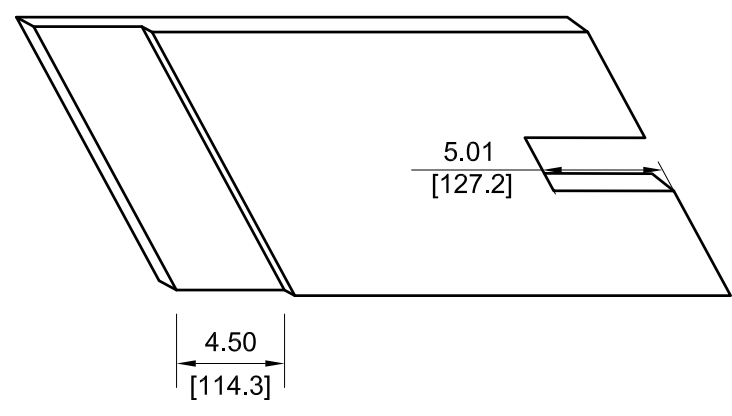
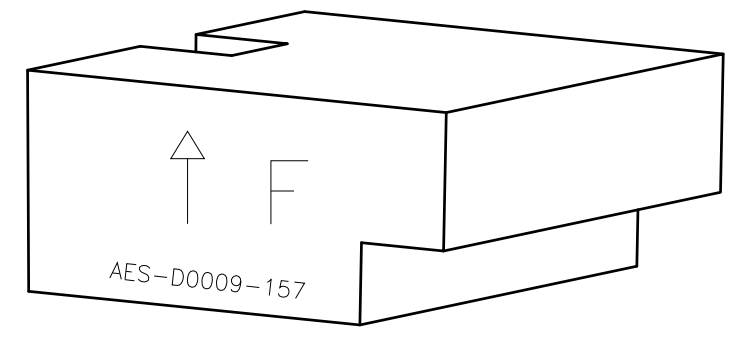
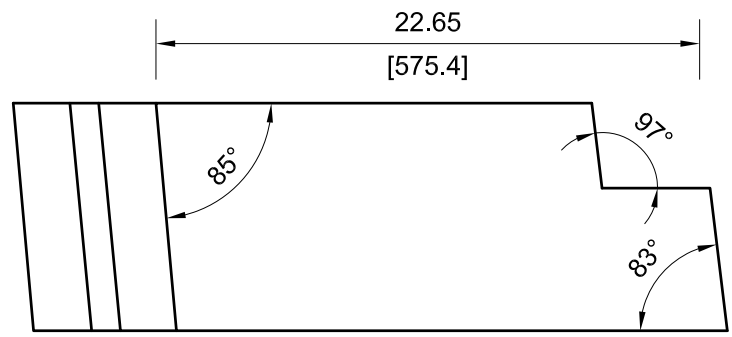


VIEW D6-80

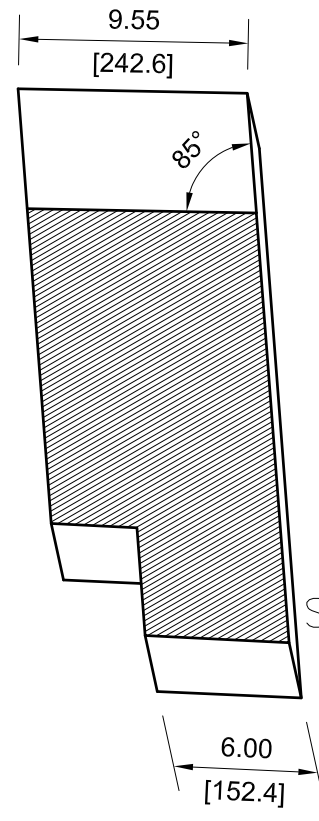
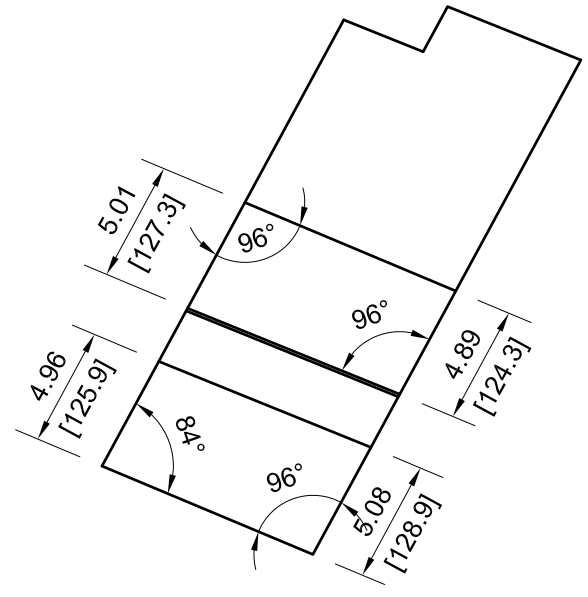
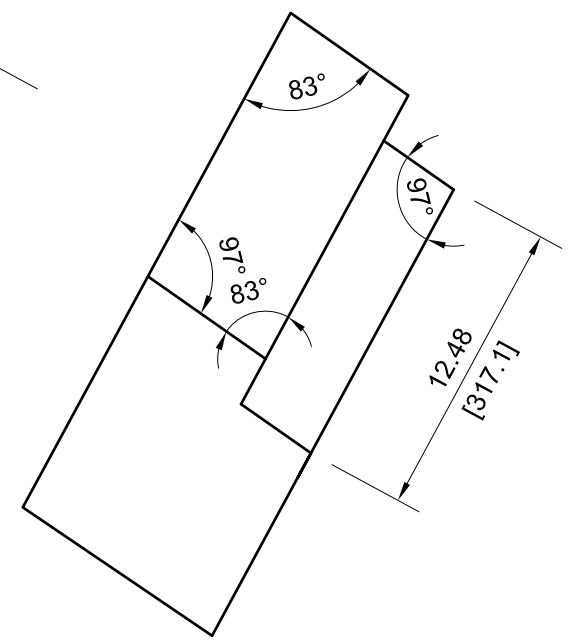
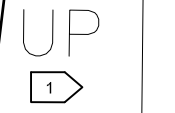
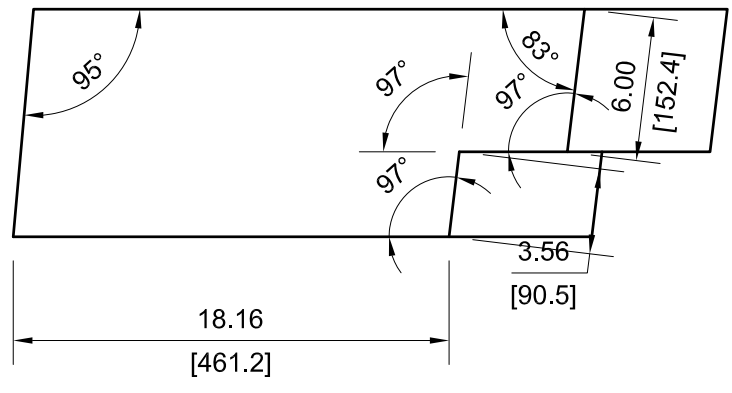


DRAWING NUMBER					AES-D0009				
SIZE	SCALE	SHEET	OF	REVISION					
A3	NONE	80	190	B					

157



D6-81 F7-81



SECTION VIEW C3-81

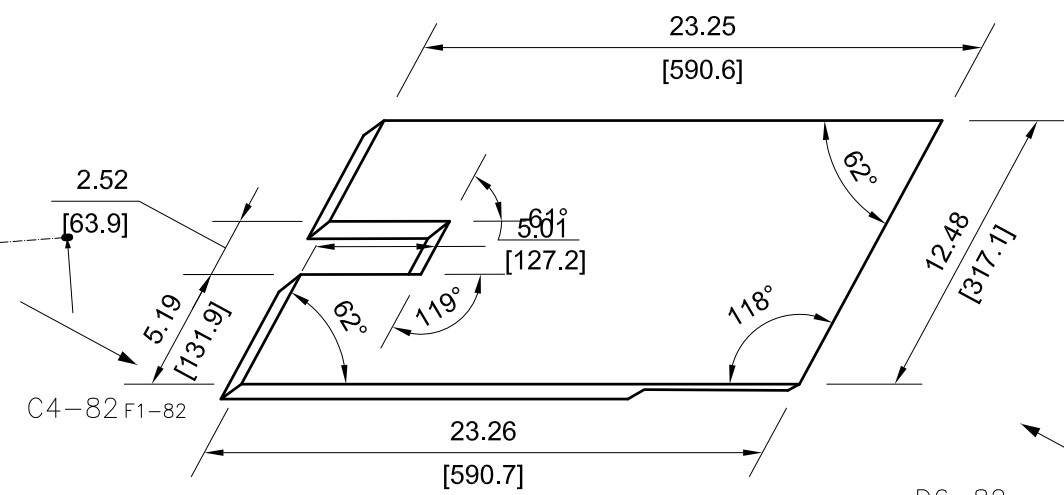
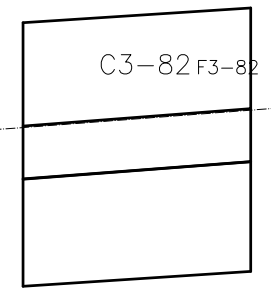
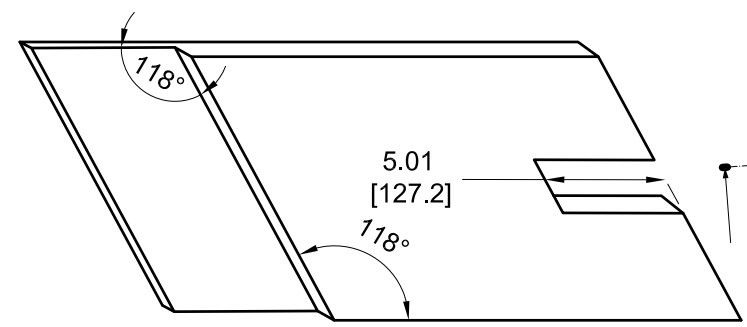
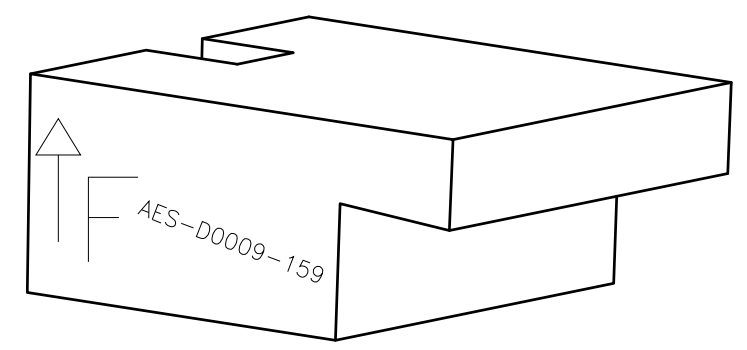
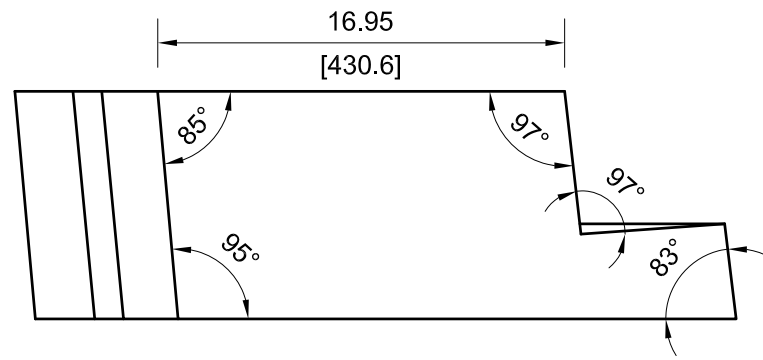
VIEW D6-81

VIEW C4-81

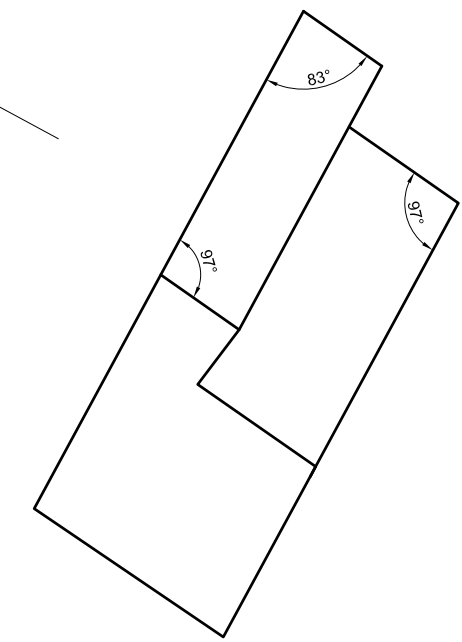


DRAWING NUMBER					AES-D0009	
SIZE	SCALE	SHEET	OF	REVISION		
A3	NONE	81	190	B		

159

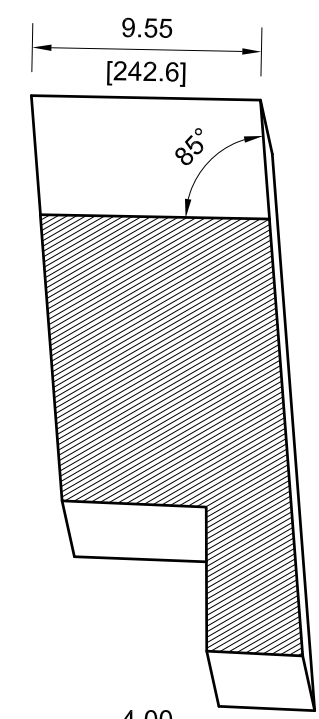
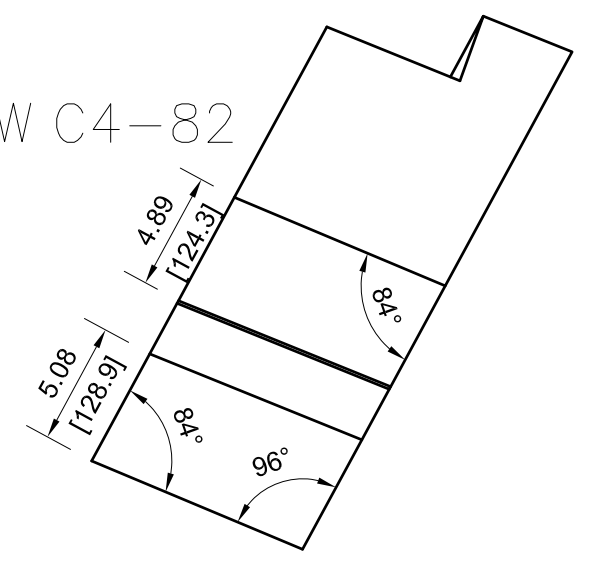


D6-82 E7-82



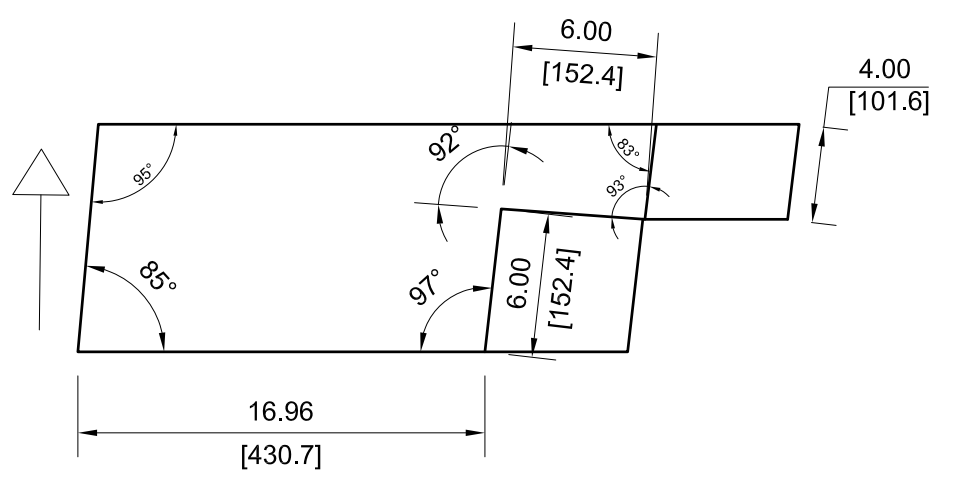
VIEW D6-82

VIEW C4-82



SECTION VIEW C3-82

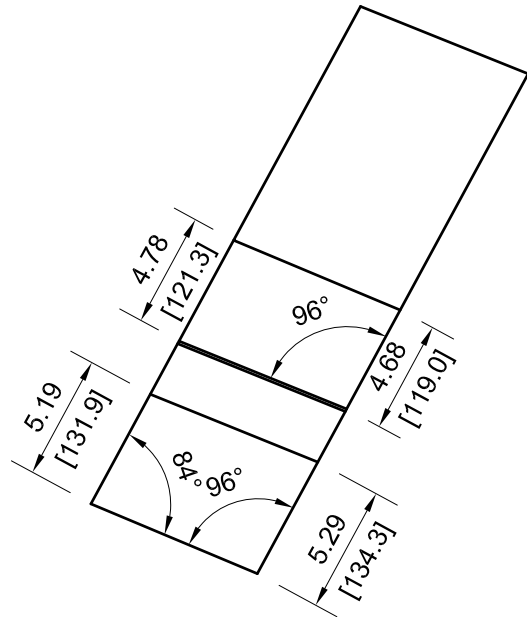
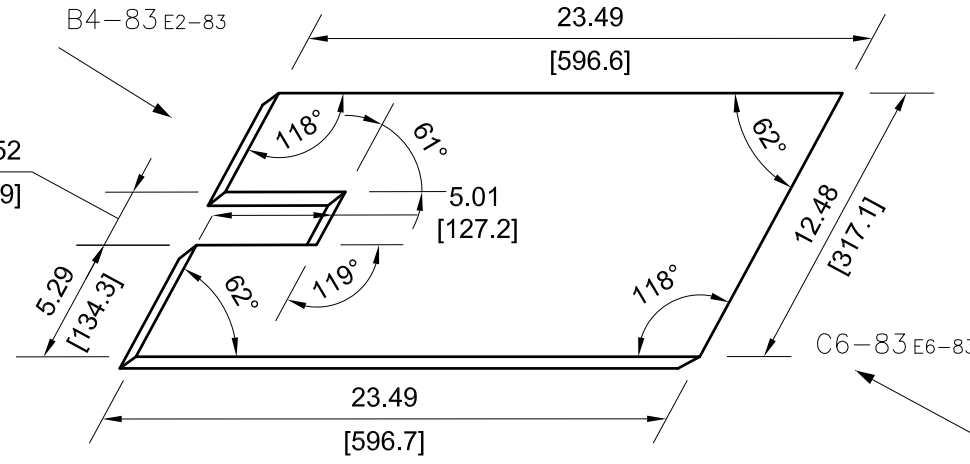
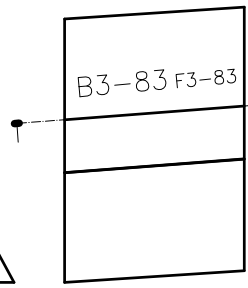
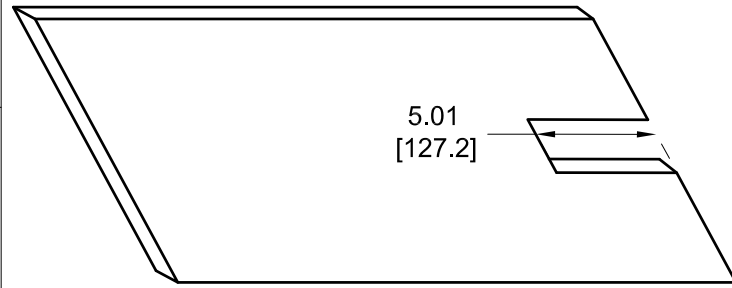
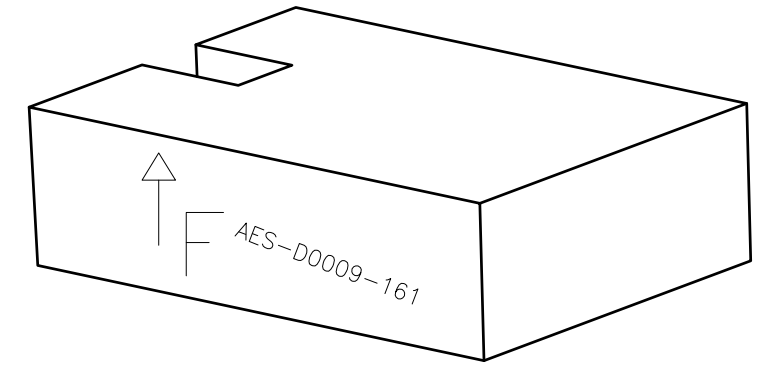
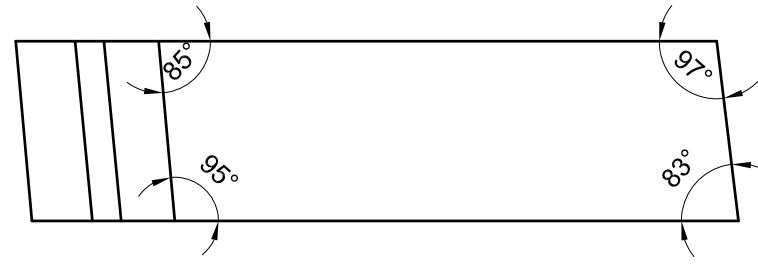
UP



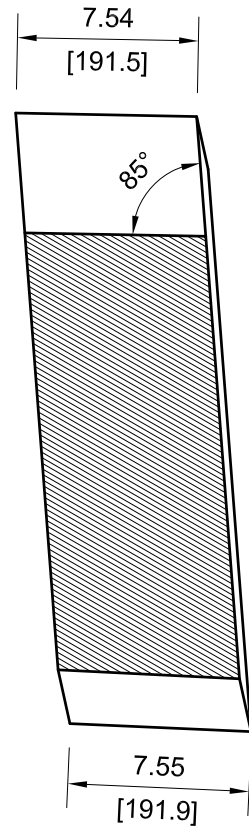
DRAWING NUMBER				
AES-D0009				
SIZE	SCALE	SHEET	OF	REVISION
A3	NONE	82	190	B

1 2 3 4 5 6 7 8

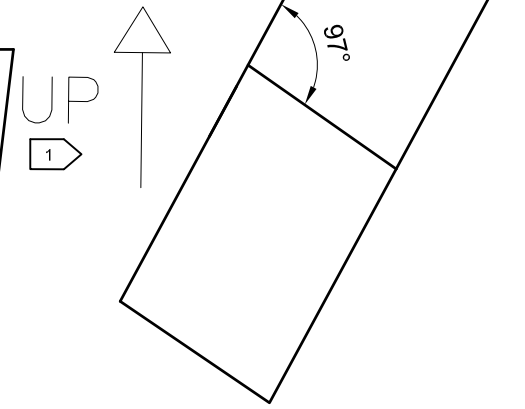
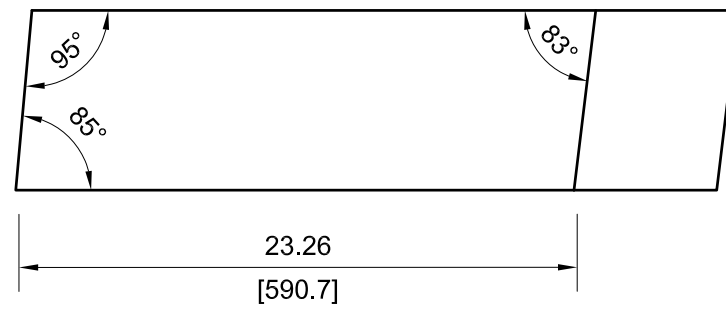
161




VIEW B4-83



SECTION VIEW B3-83

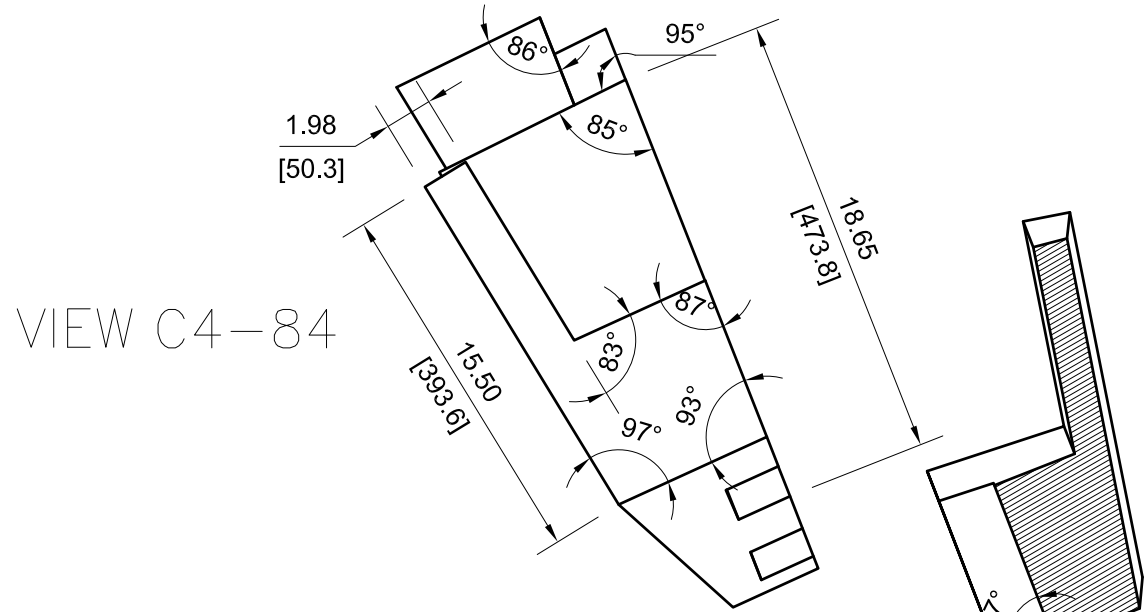
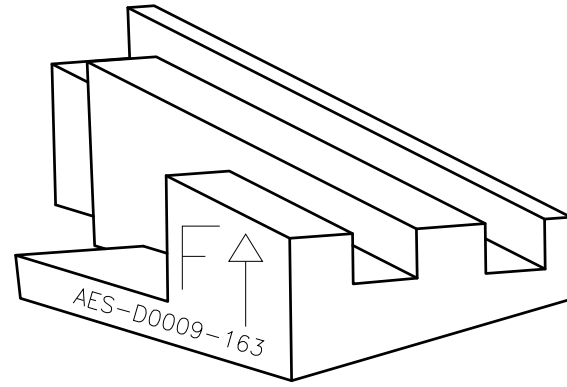


VIEW C6-83

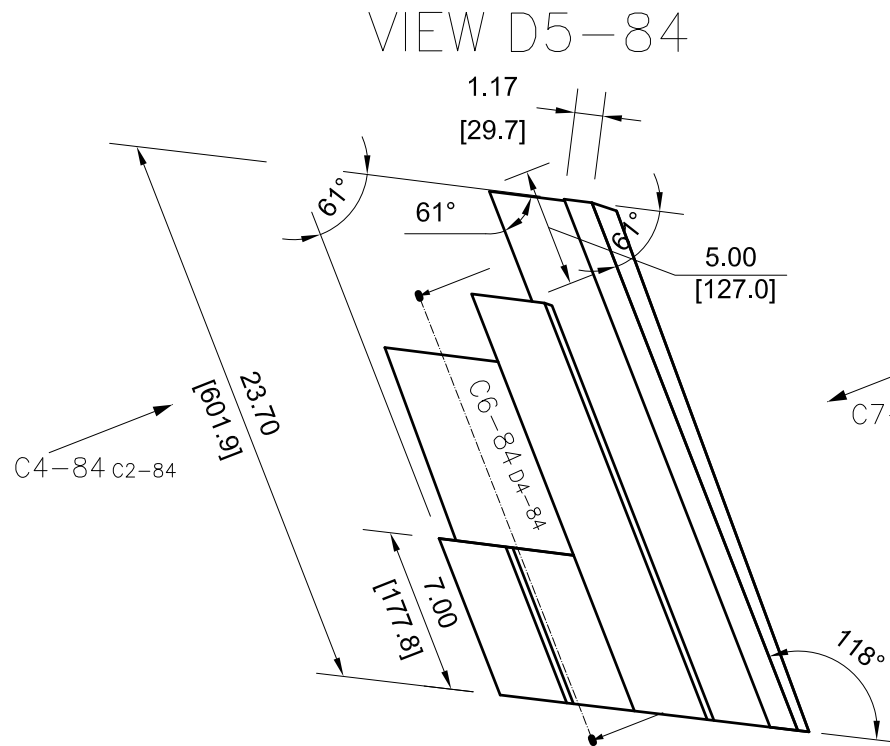
		DRAWING NUMBER			
		AES-D0009			
SIZE	SCALE	SHEET	OF	REVISION	
A3	NONE	83	190	B	

1 2 3 4 5 6 7 8

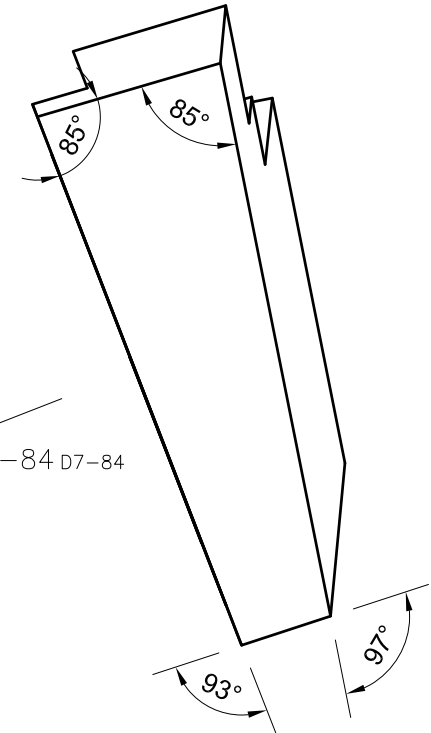
163



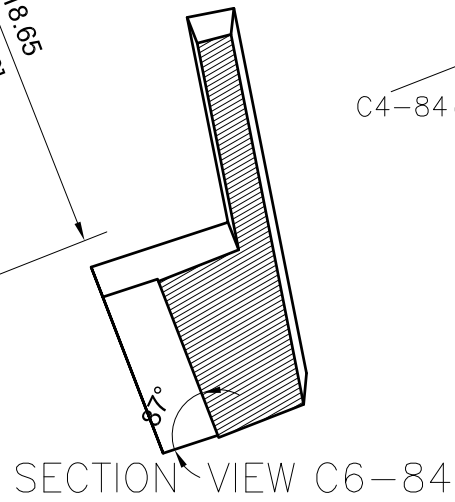
VIEW C4-84



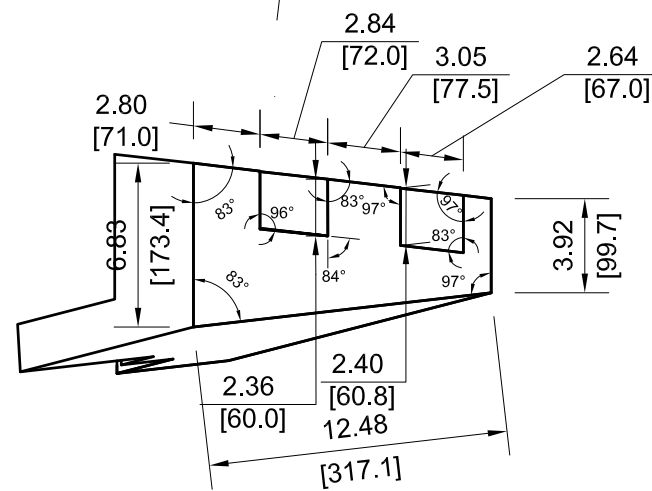
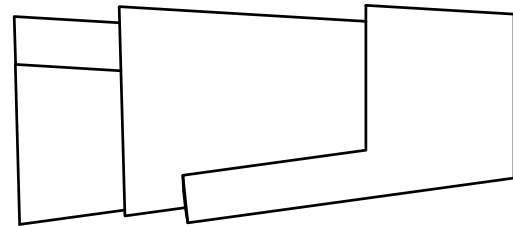
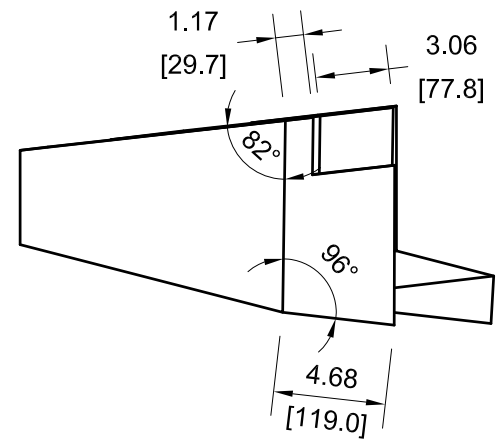
VIEW D5-84



VIEW C7-84

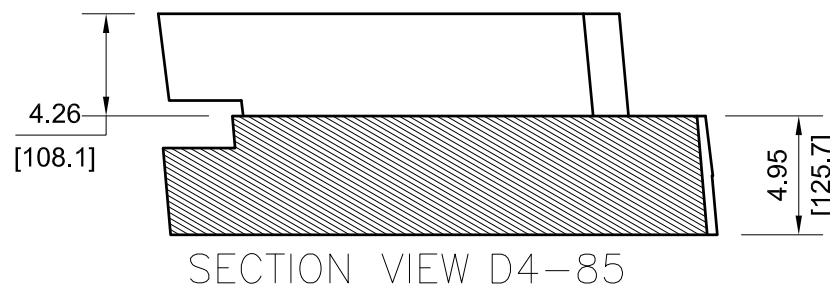
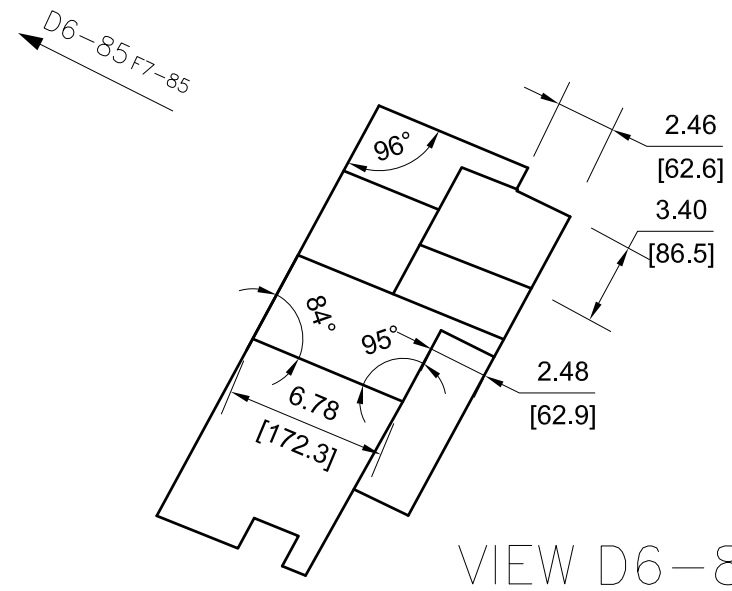
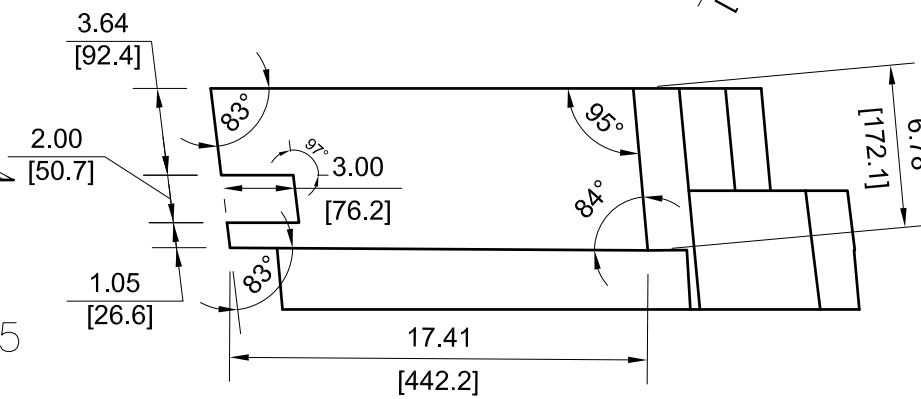
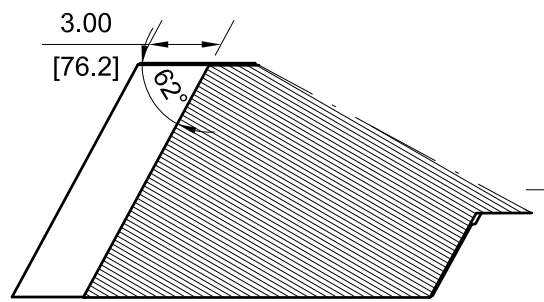
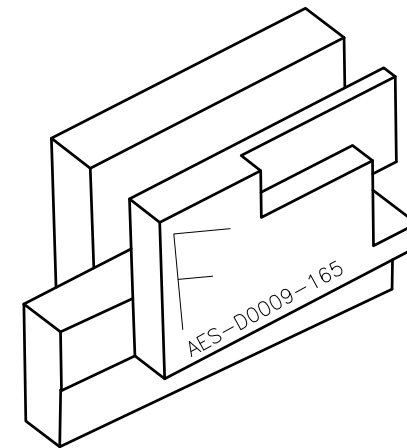
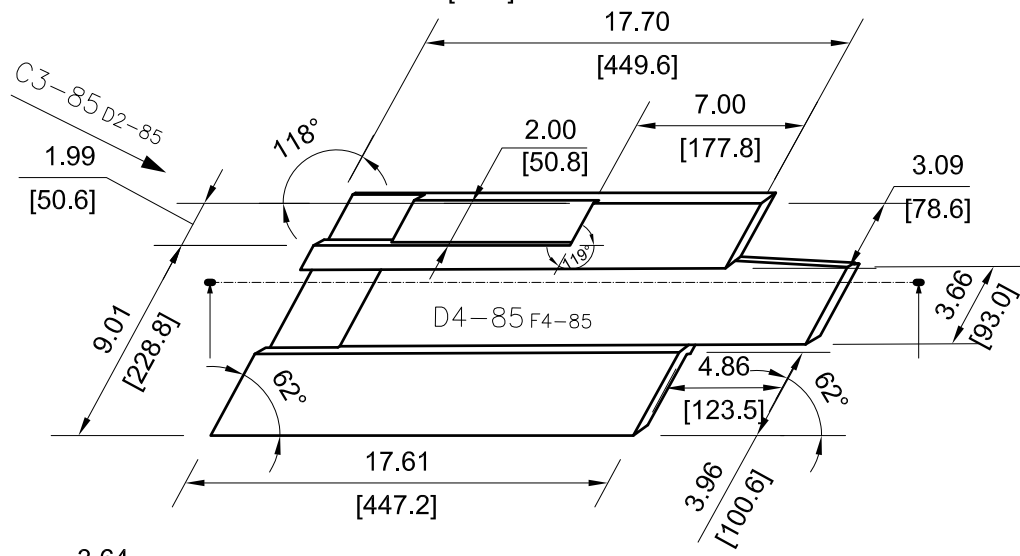
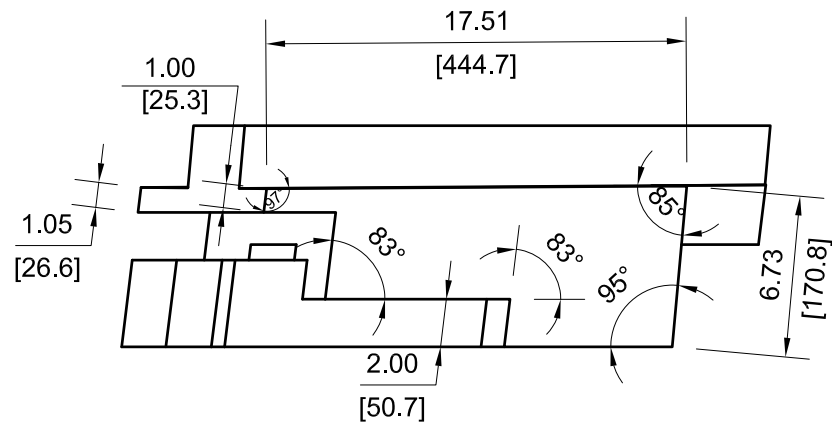
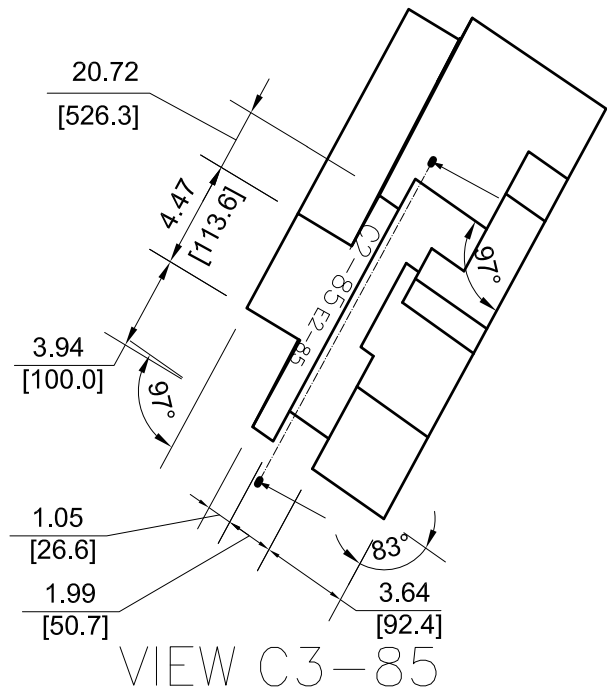


SECTION VIEW C6-84



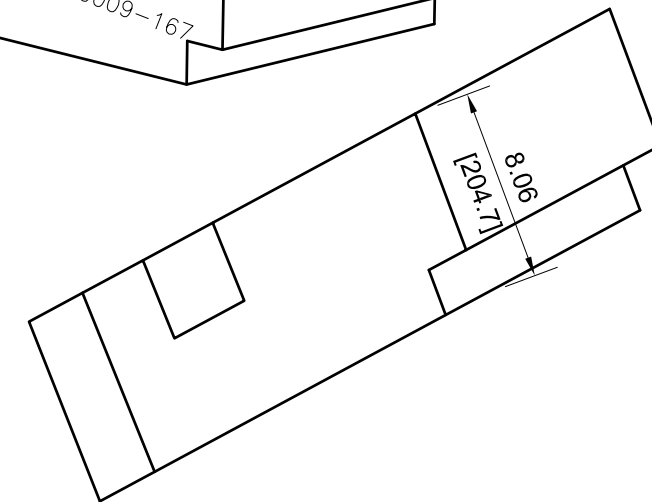
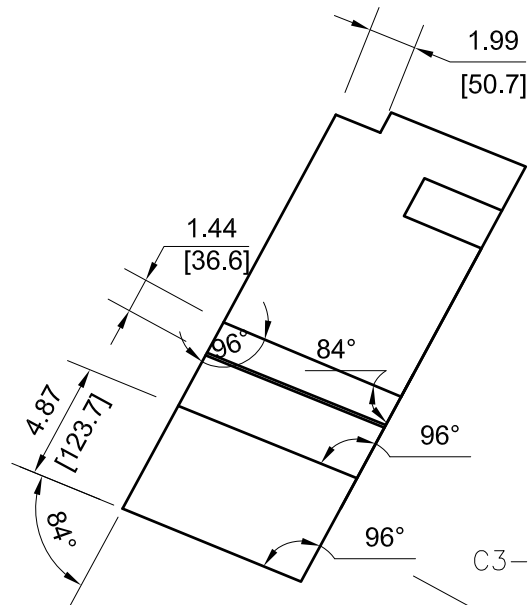
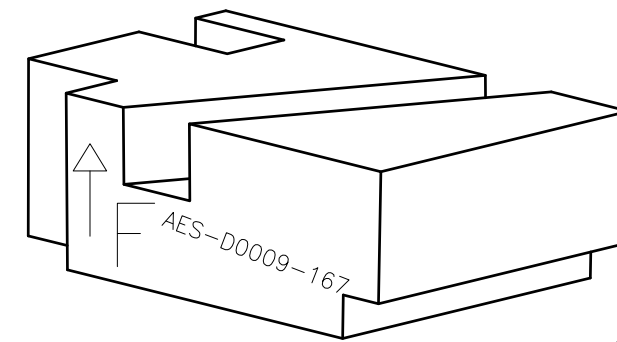
		DRAWING NUMBER			
		AES-D0009			
SIZE	SCALE	SHEET	OF	REVISION	
A3	NONE	84	190	B	

165



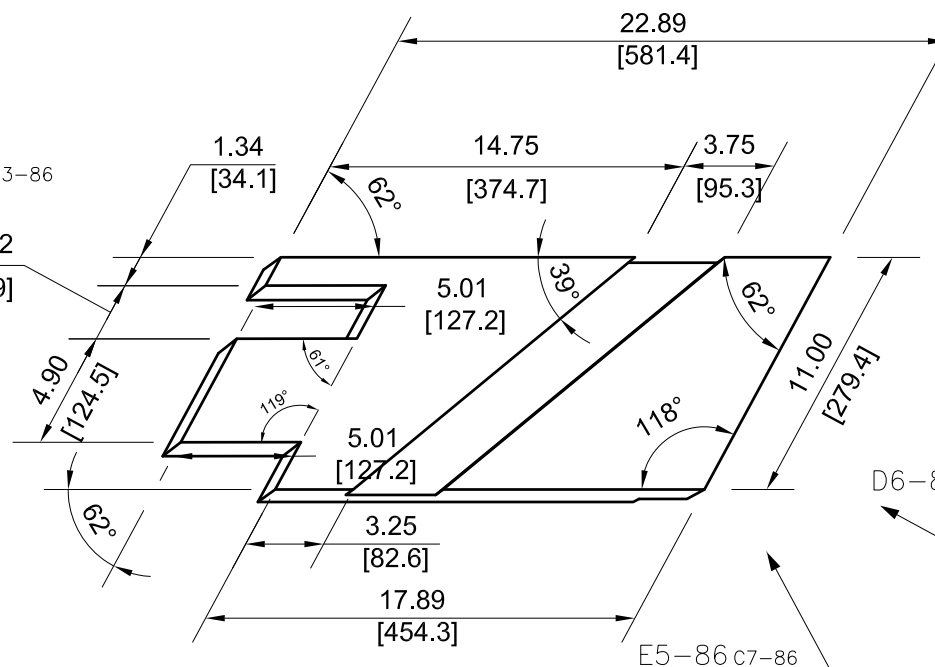
DRAWING NUMBER				
AES-D0009				
SIZE	SCALE	SHEET	OF	REVISION
A3	NONE	85	190	B

167



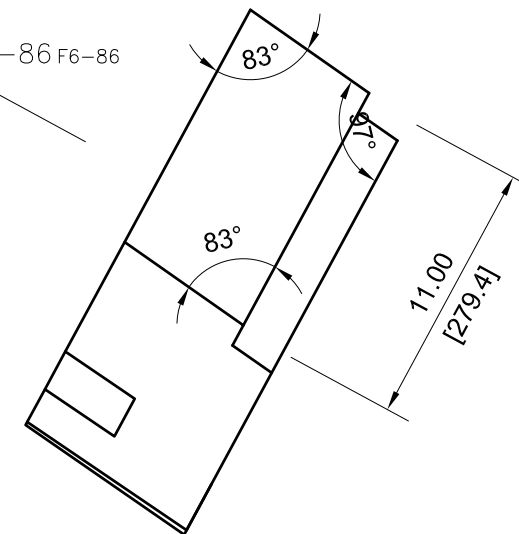
VIEW C3-86

VIEW E5-86

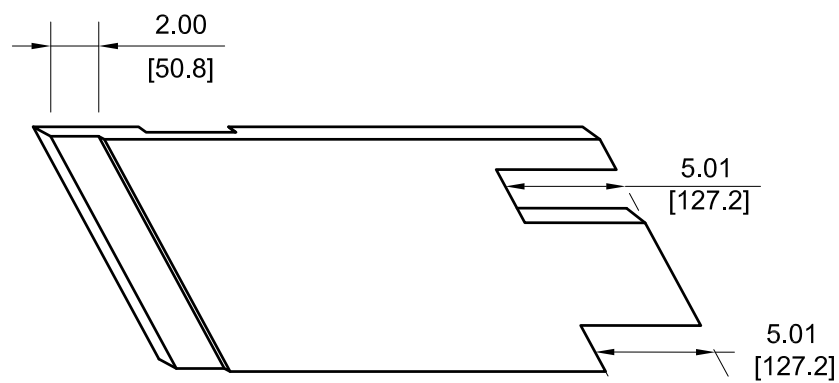


D6-86 F6-86

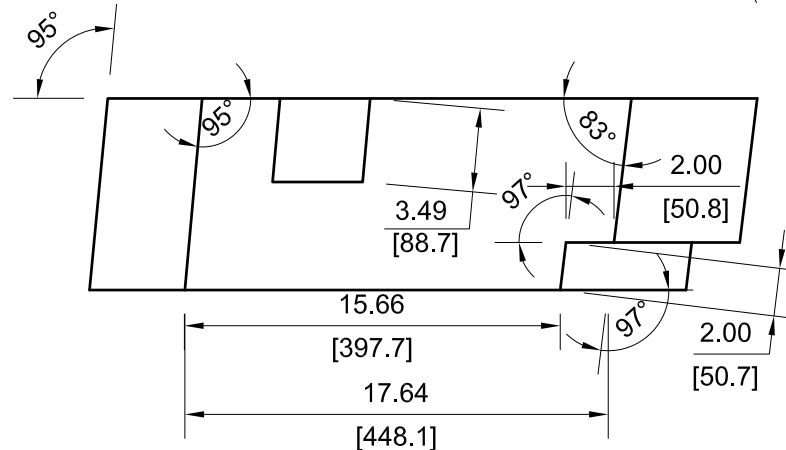
E5-86 C7-86



VIEW D6-86

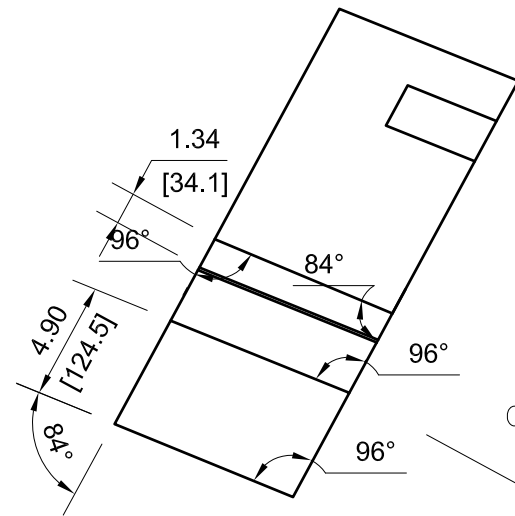
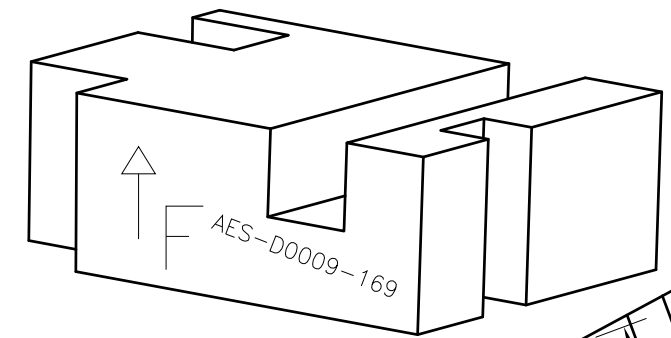


REAR VIEW RELATIVE TO VIEW D4-86

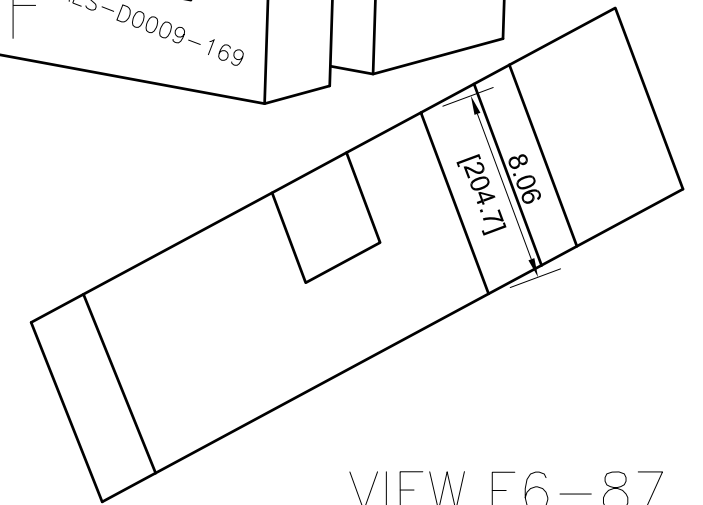


		DRAWING NUMBER			
		AES-D0009			
SIZE	SCALE	SHEET	OF	REVISION	
A3	NONE	86	190	B	

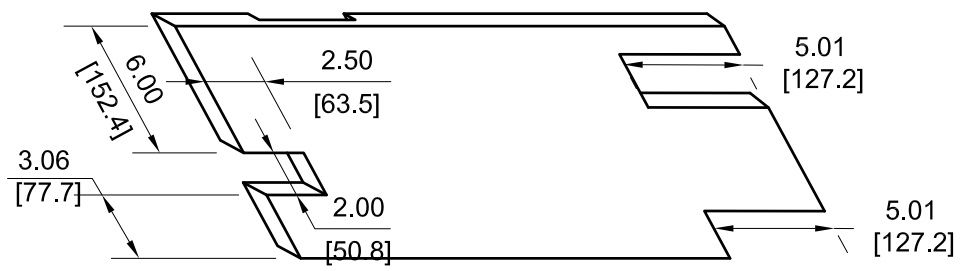
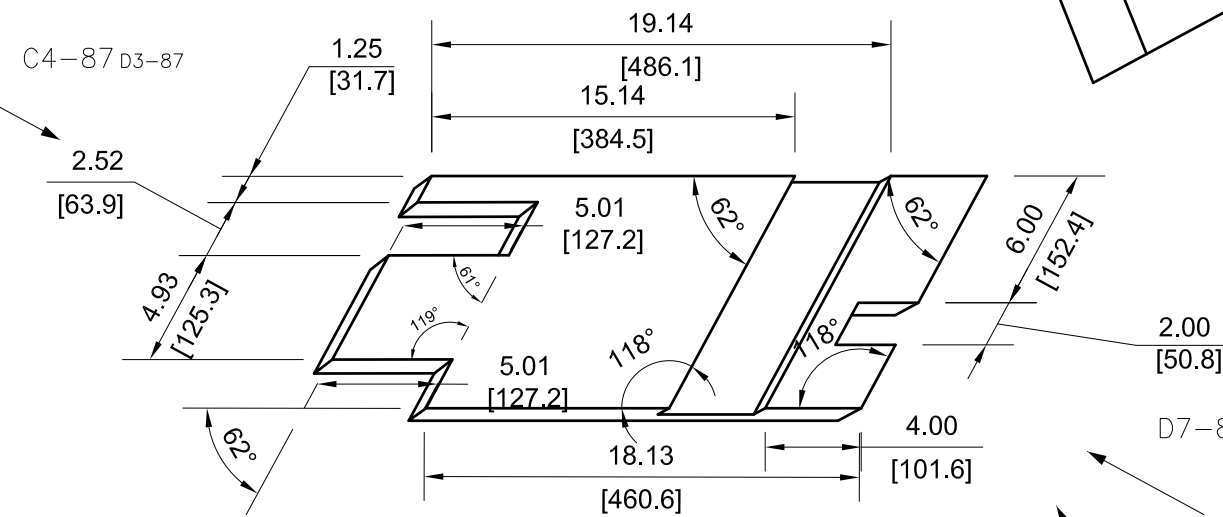
169



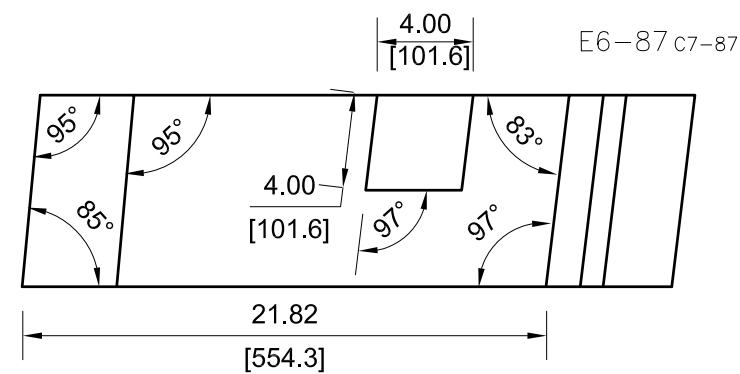
VIEW C4-87



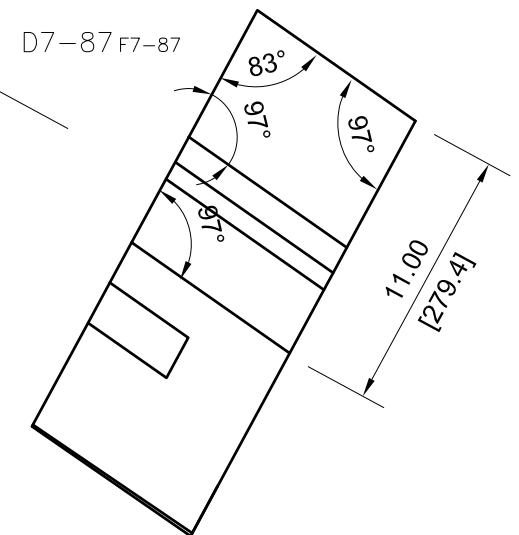
VIEW E6-87



REAR VIEW RELATIVE TO VIEW D5-87



E6-87 C7-87

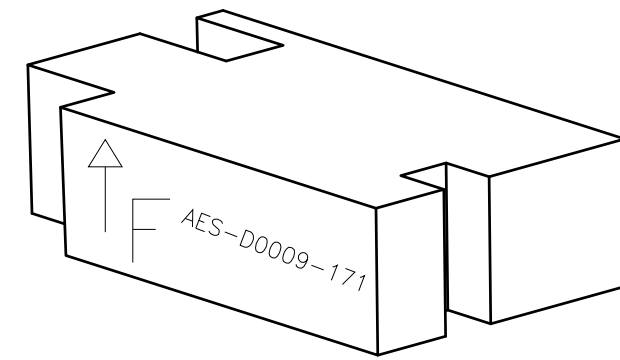


VIEW D7-87

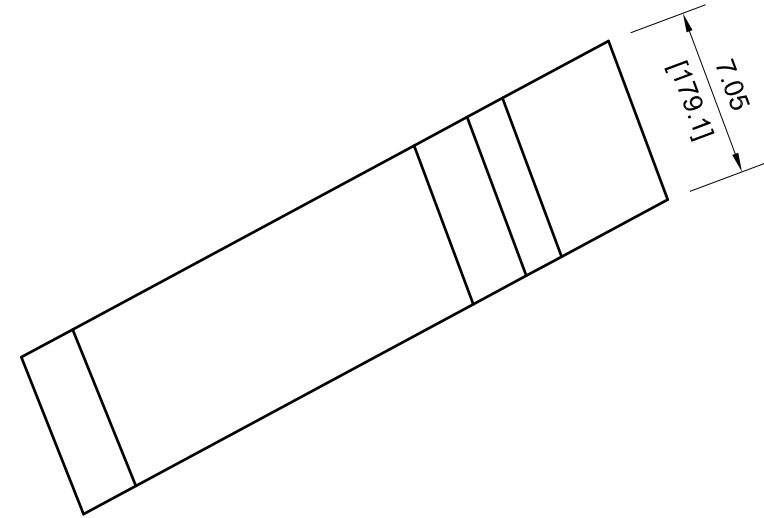
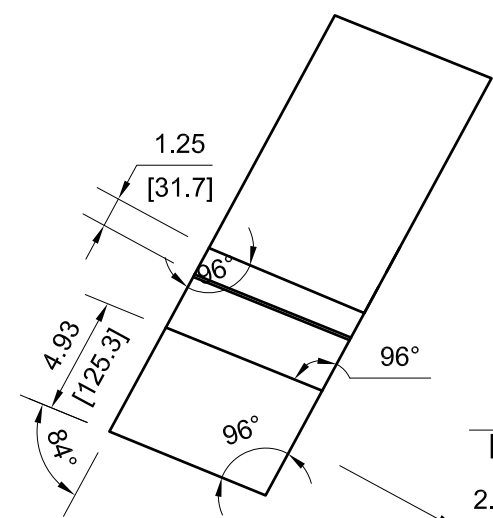


DRAWING NUMBER				
AES-D0009				
SIZE	SCALE	SHEET	OF	REVISION
A3	NONE	87	190	B

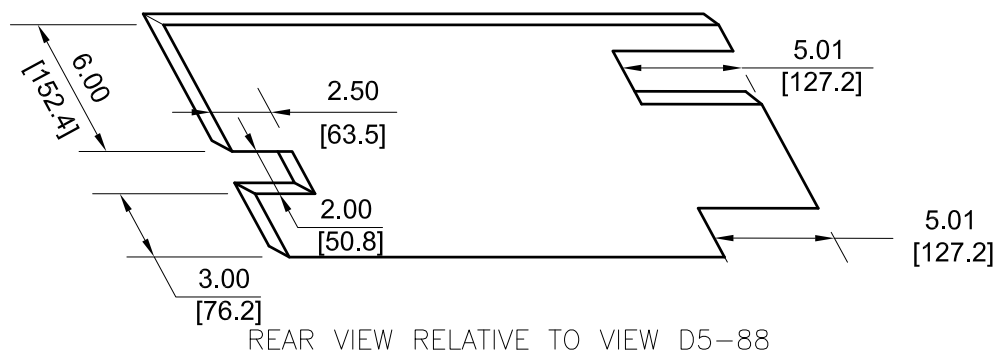
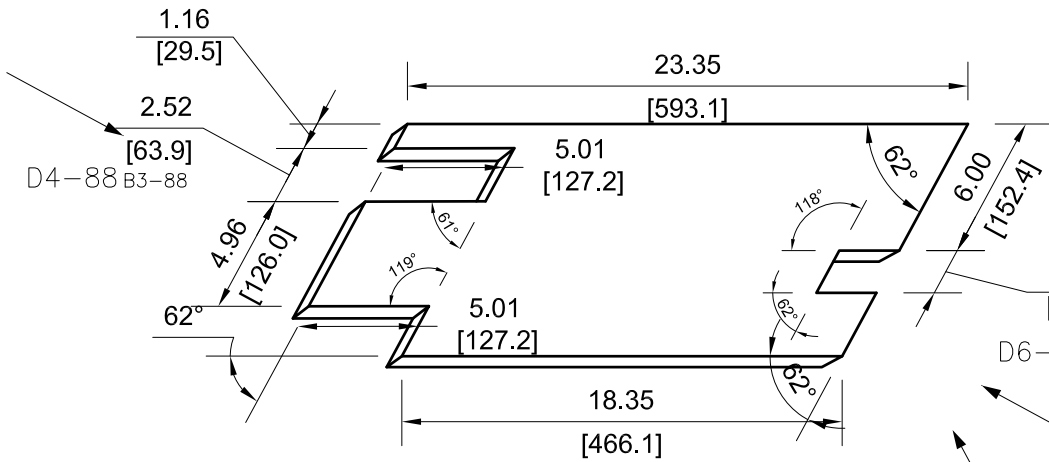
171



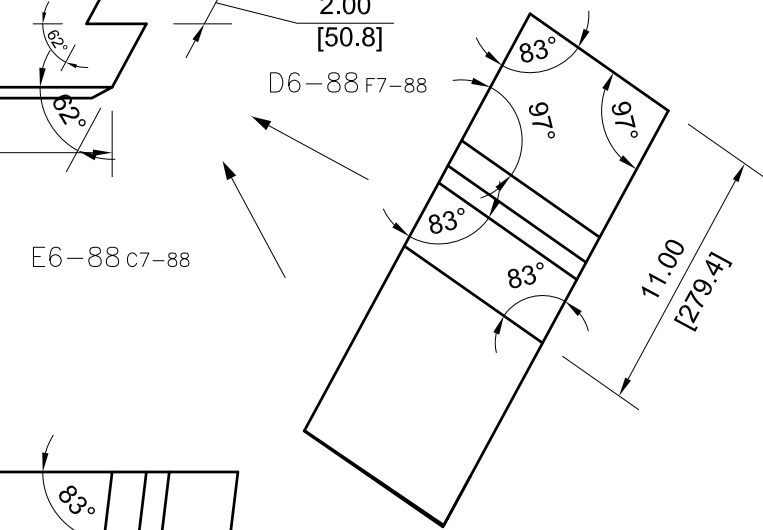
VIEW D4-88



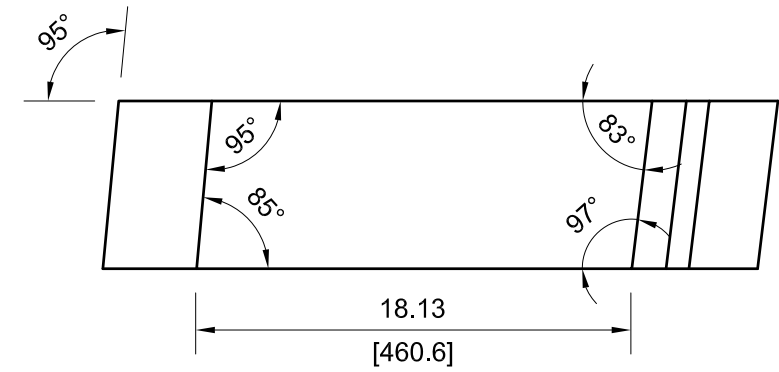
VIEW E6-88



REAR VIEW RELATIVE TO VIEW D5-88

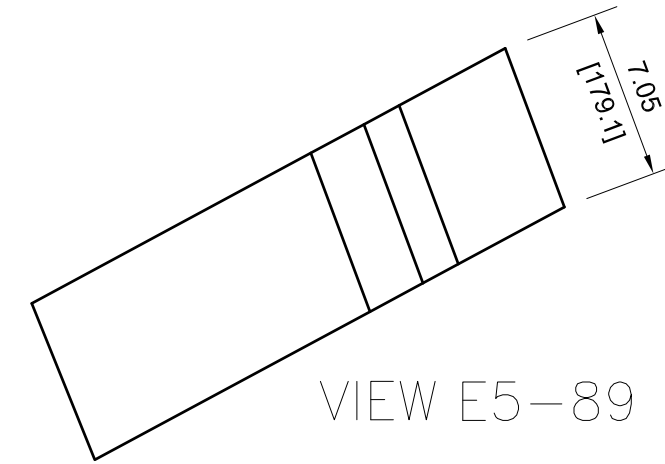
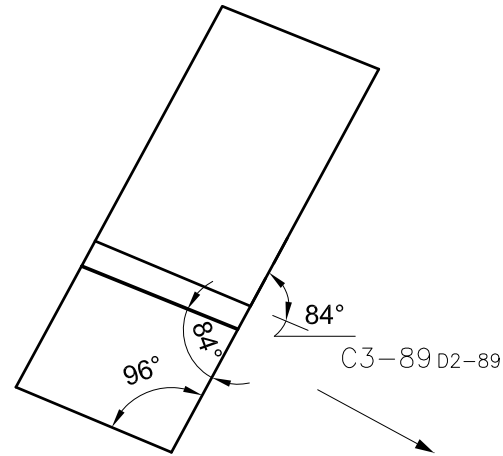
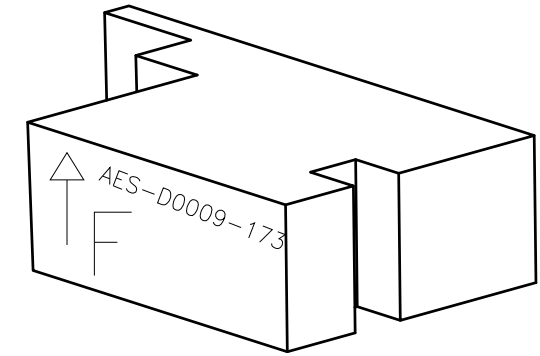


VIEW D6-88

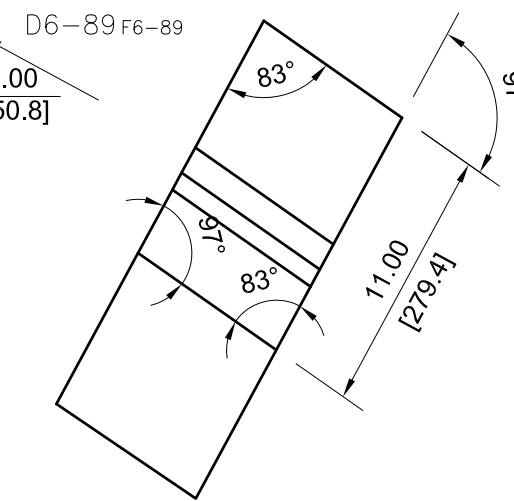
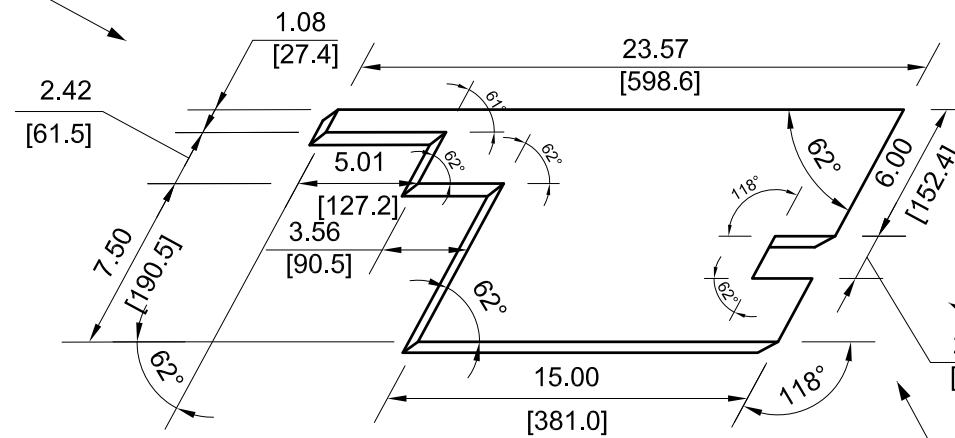


		DRAWING NUMBER			
		AES-D0009			
SIZE	SCALE	SHEET	OF	REVISION	
A3	NONE	88	190	B	

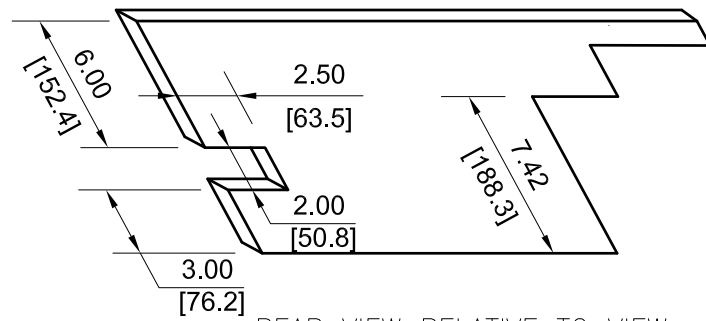
-173



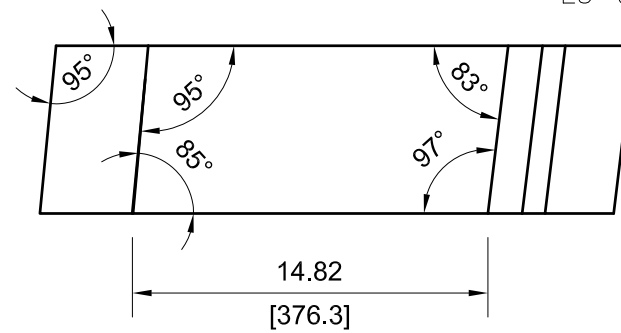
VIEW C3-89



VIEW D6-89



REAR VIEW RELATIVE TO VIEW D4-89



DRAWING NUMBER				
AES-D0009				
SIZE	SCALE	SHEET	OF	REVISION
A3	NONE	89	190	B

— 175

THIS PART IS MADE OBSOLETE.



DRAWING NUMBER					AES-D0009				
SIZE	SCALE	SHEET	OF	REVISION					
A3	NONE	90	190	B					

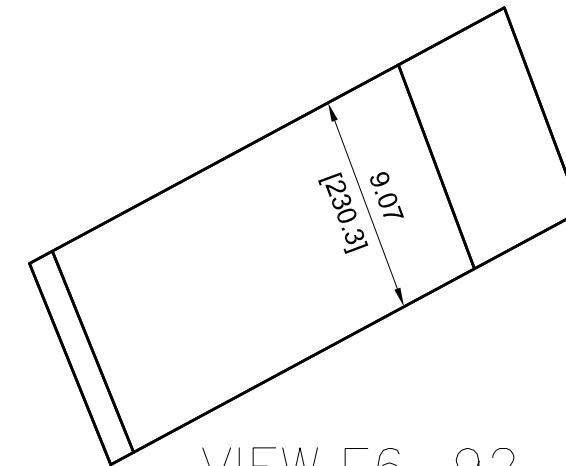
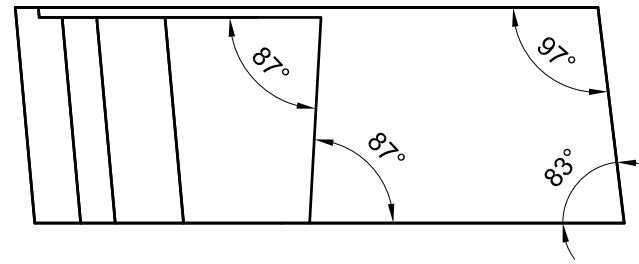
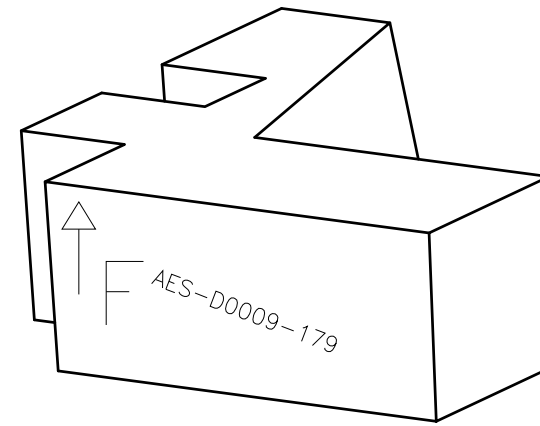
— 177

THIS PART IS MADE OBSOLETE.

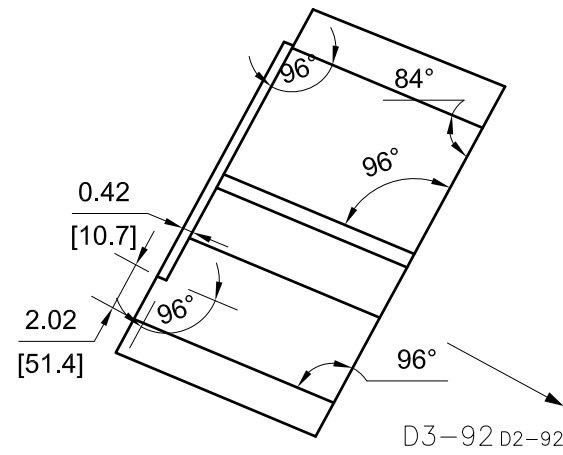


DRAWING NUMBER				
AES-D0009				
SIZE	SCALE	SHEET	OF	REVISION
A3	NONE	91	190	B

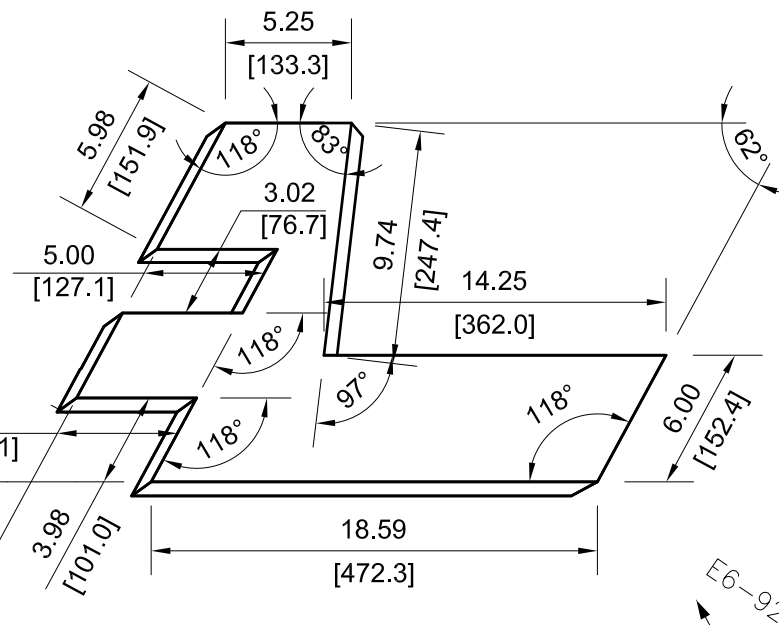
179



VIEW E6-92

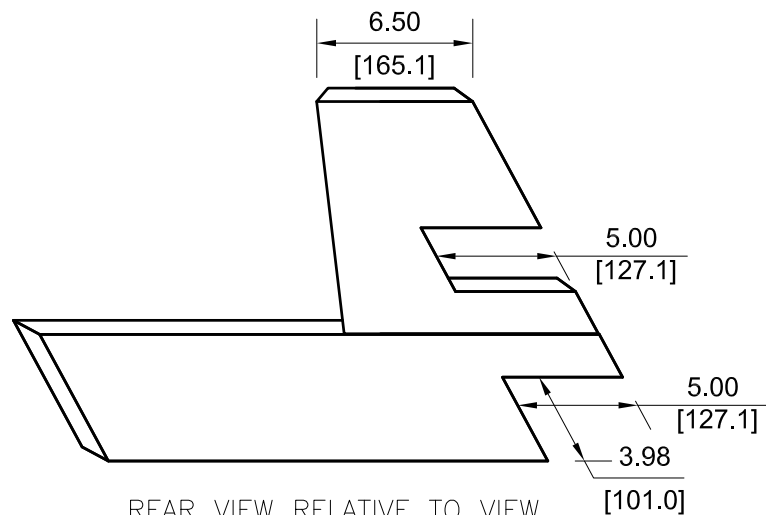


VIEW D3-92

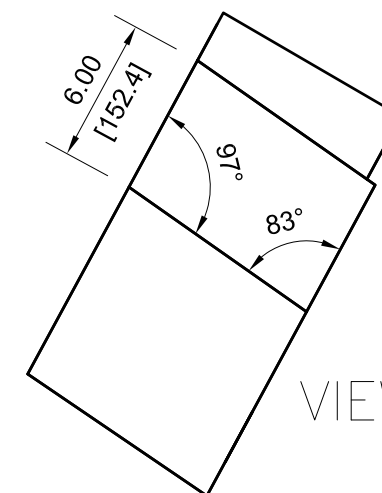
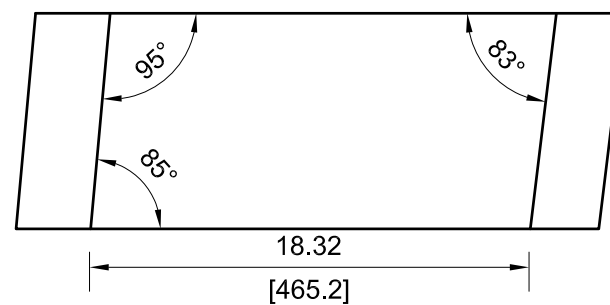


D6-92 F7-92

E6-92 C6-92



REAR VIEW RELATIVE TO VIEW D5-92

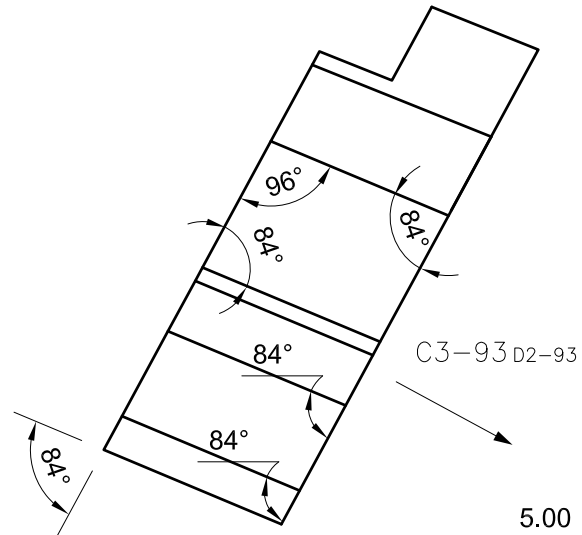
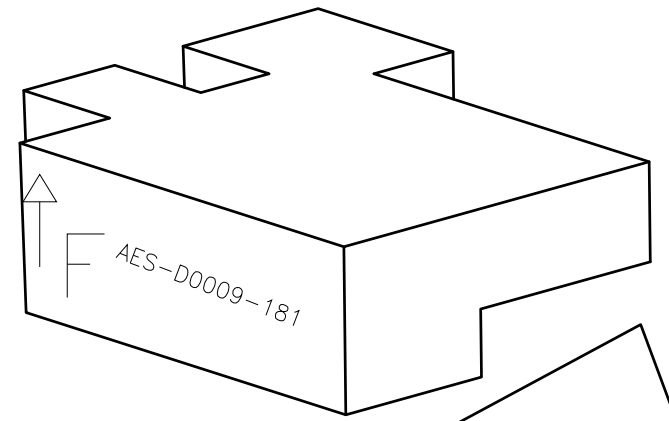


VIEW D6-92

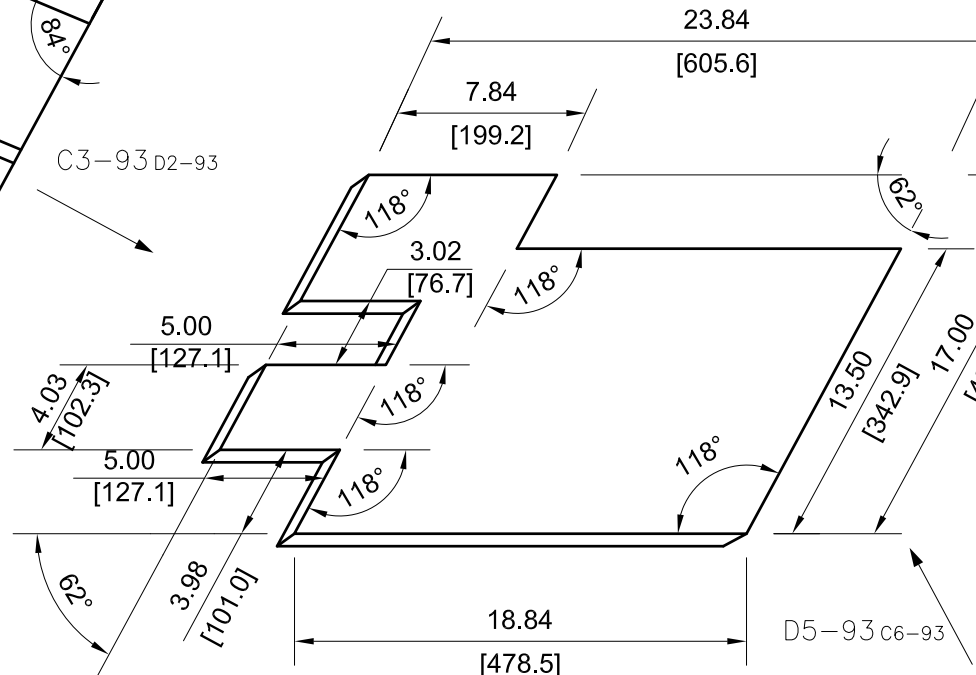


DRAWING NUMBER				
AES-D0009				
SIZE	SCALE	SHEET	OF	REVISION
A3	NONE	92	190	B

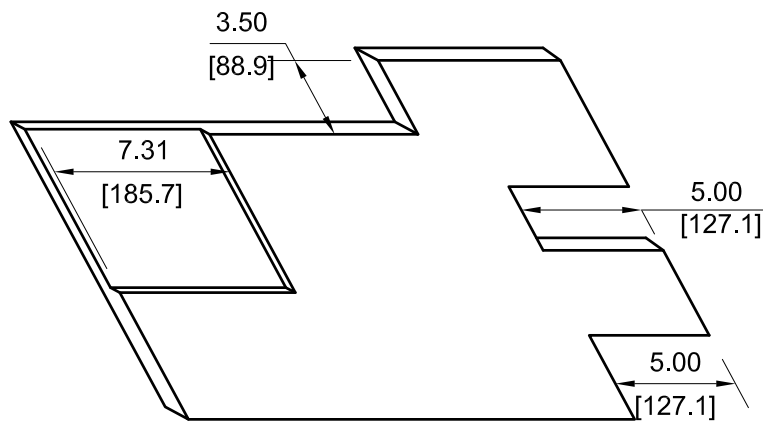
181



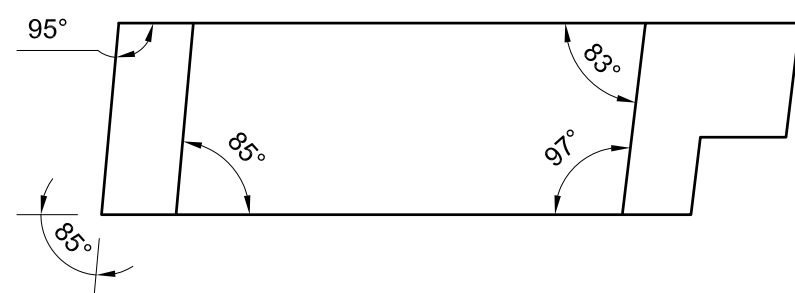
VIEW C3-93



VIEW D5-93



REAR VIEW RELATIVE TO VIEW D5-93

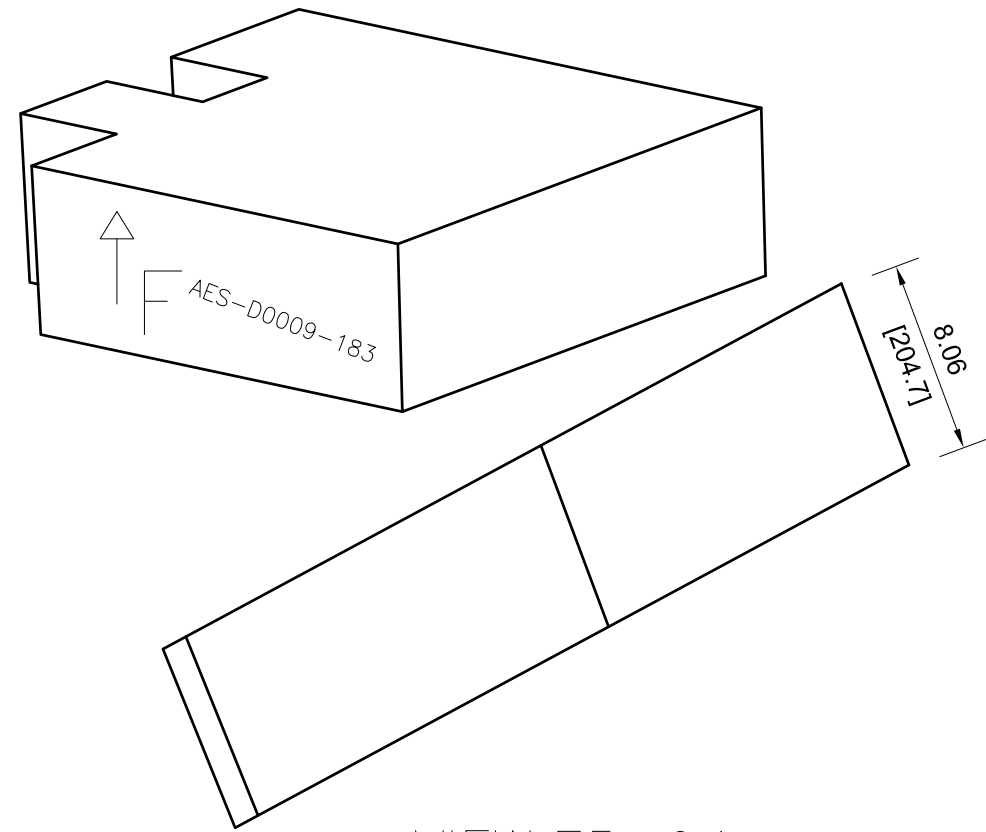


VIEW D6-93

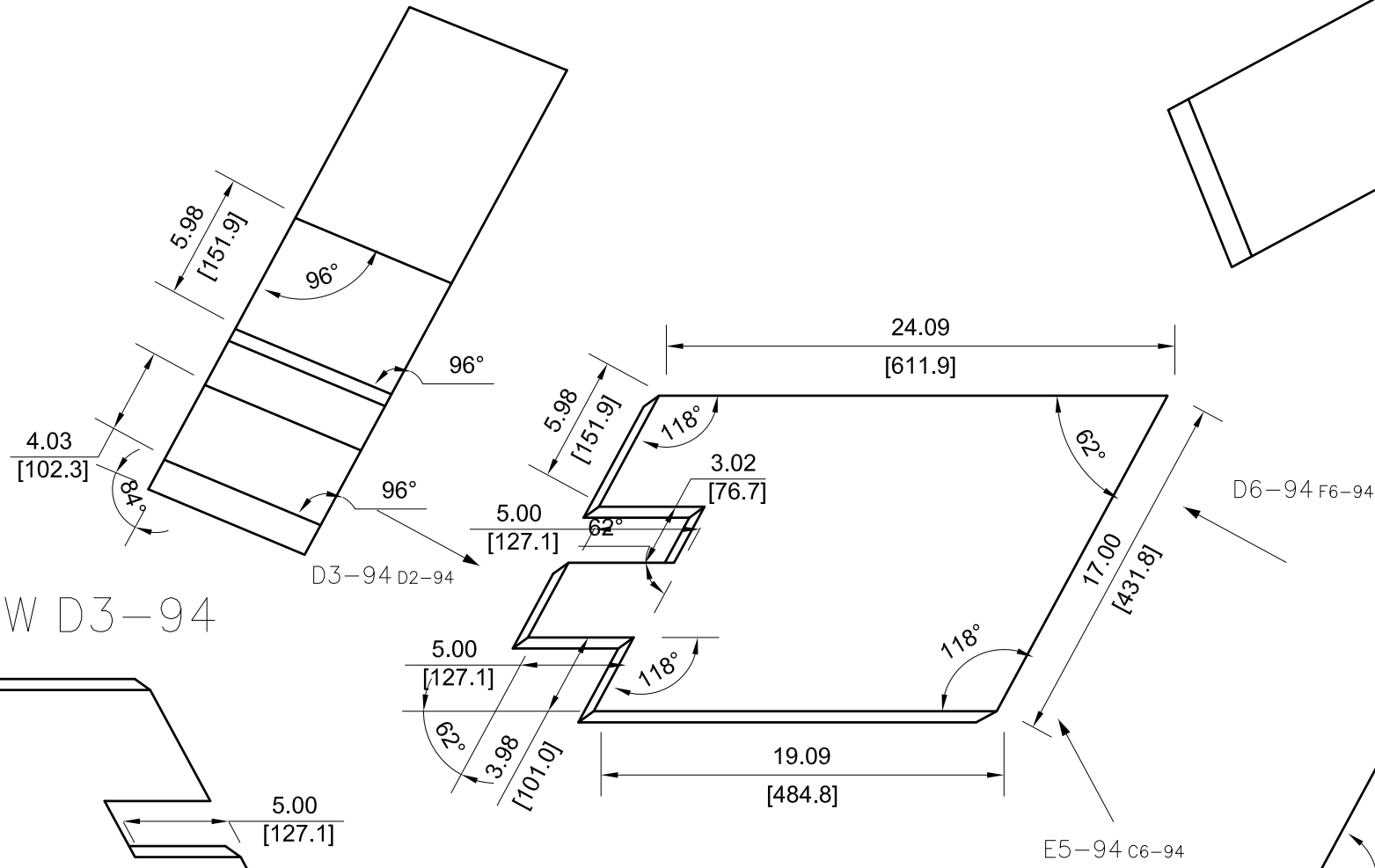


DRAWING NUMBER					AES-D0009				
SIZE	SCALE	SHEET	OF	REVISION					
A3	NONE	93	190	B					

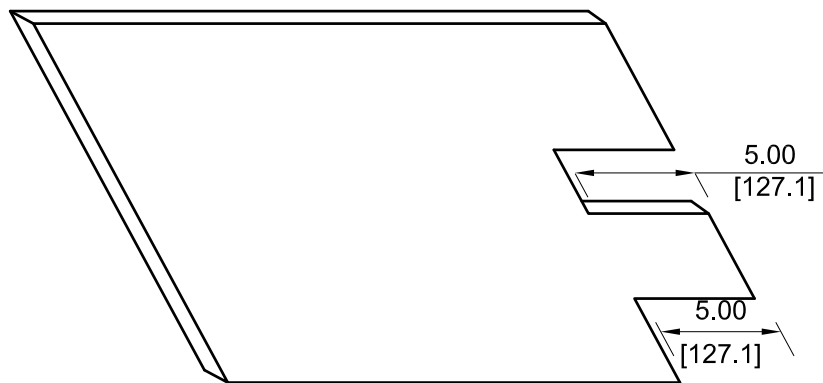
183



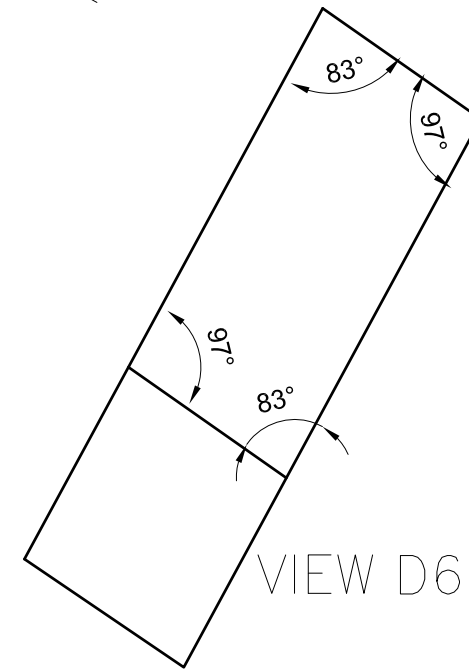
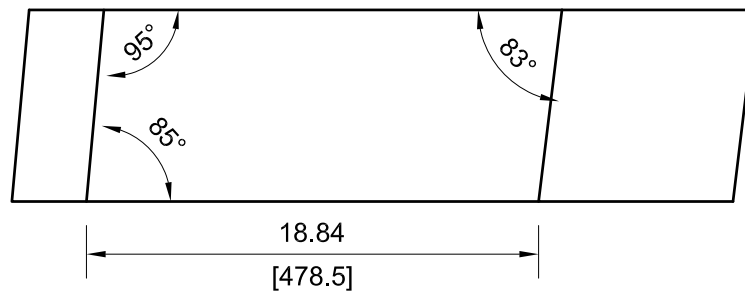
VIEW E5-94



VIEW D3-94



REAR VIEW RELATIVE TO VIEW D4-94

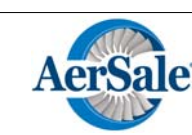
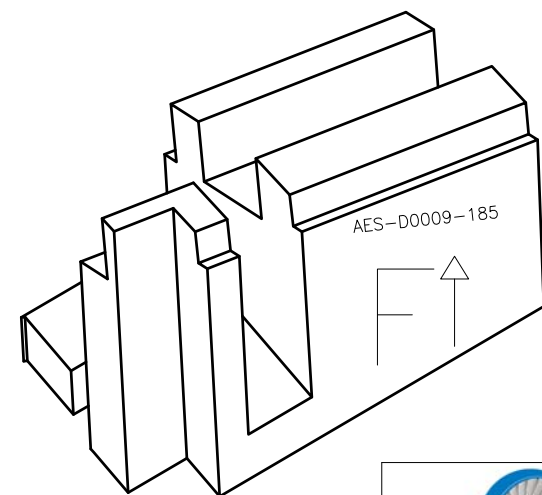
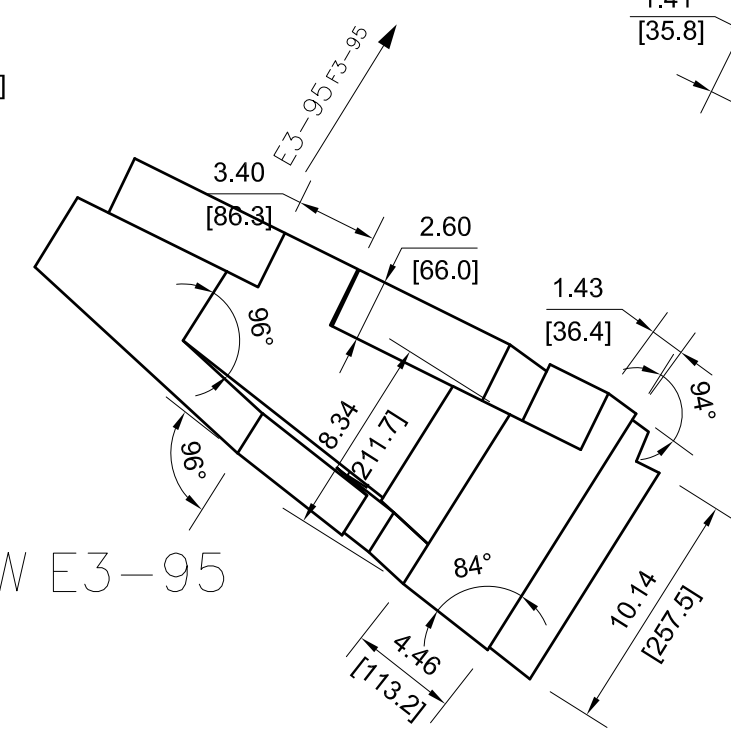
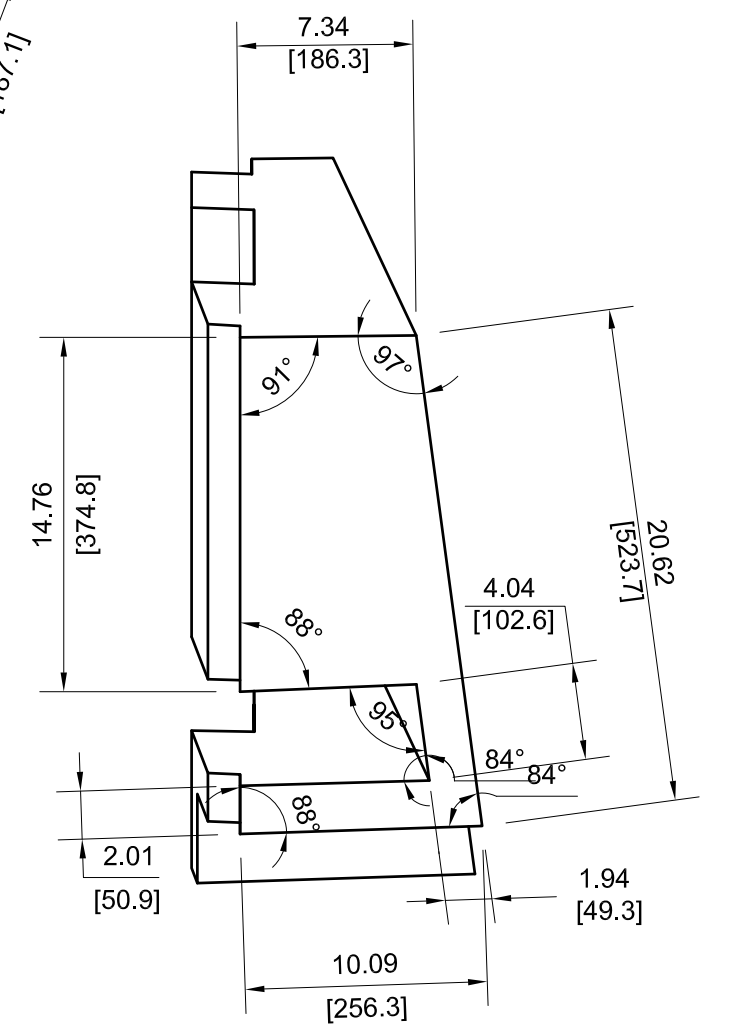
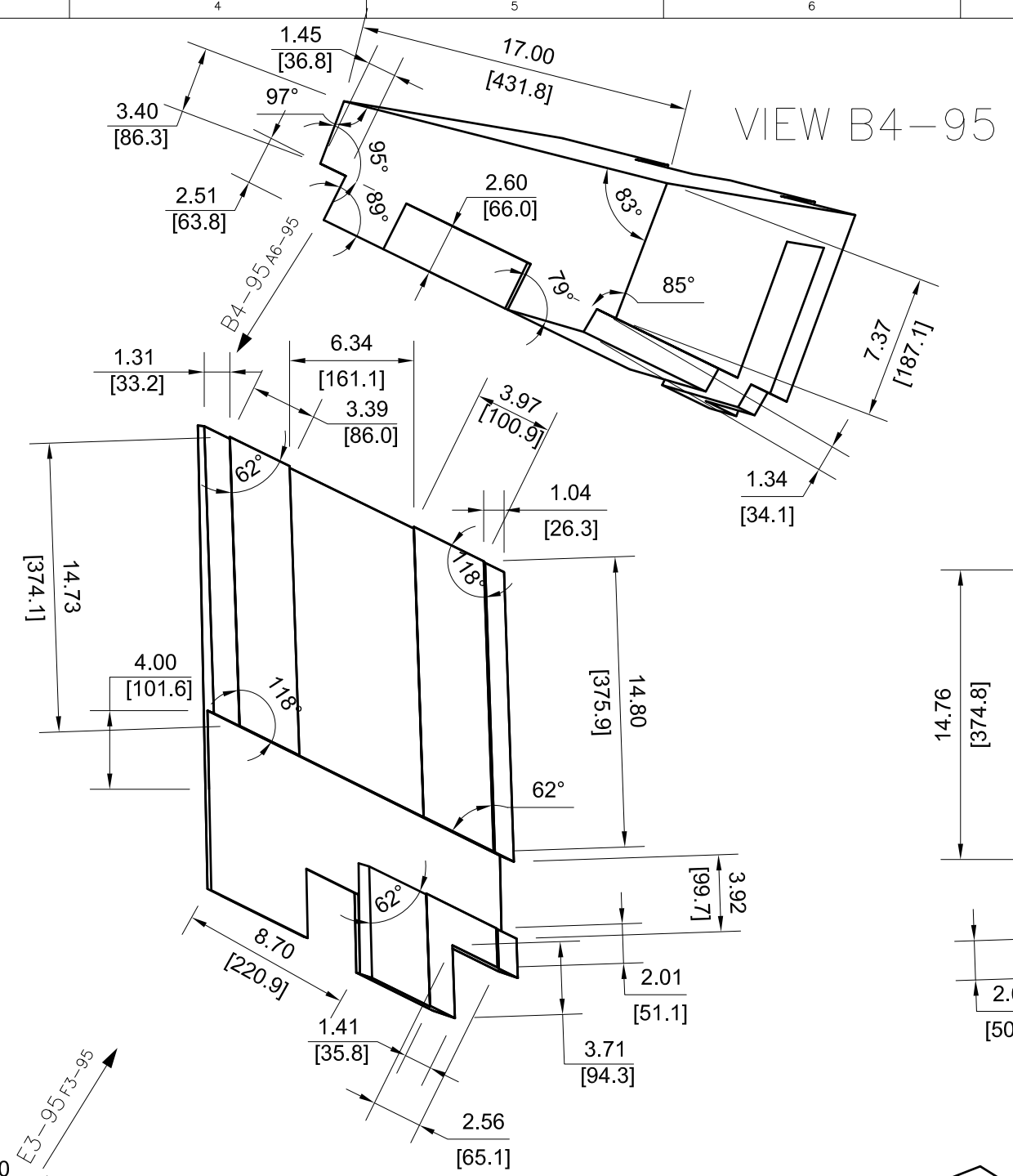
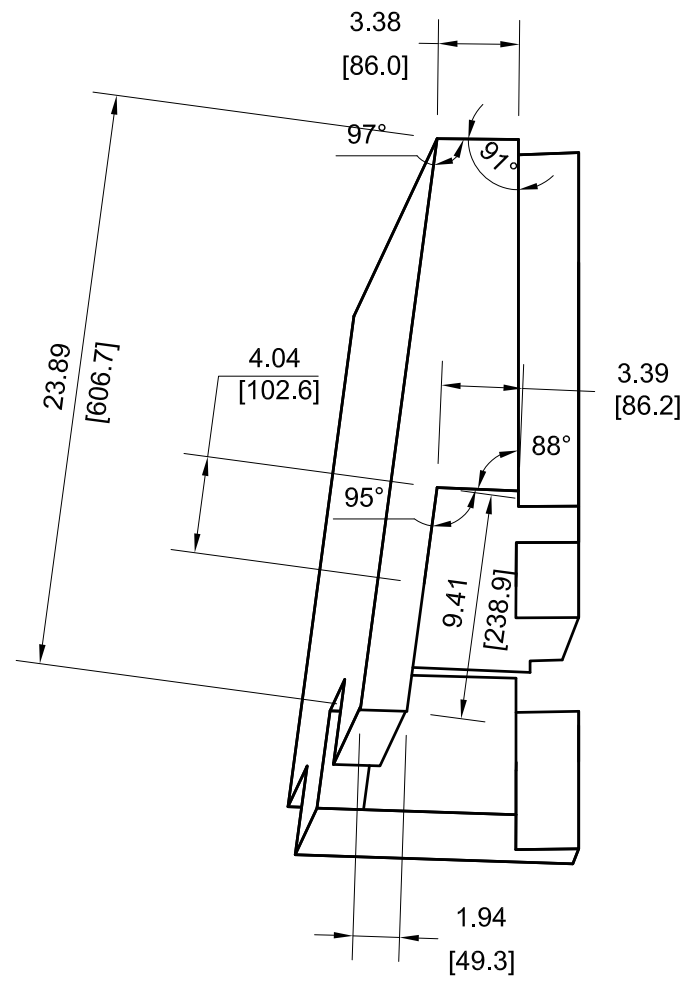


VIEW D6-94



DRAWING NUMBER				
AES-D0009				
SIZE	SCALE	SHEET	OF	REVISION
A3	NONE	94	190	B

185



DRAWING NUMBER				
AES-D0009				
SIZE	SCALE	SHEET	OF	REVISION
A3	NONE	95	190	B

1 2 3 4 5 6 7 8

A

B

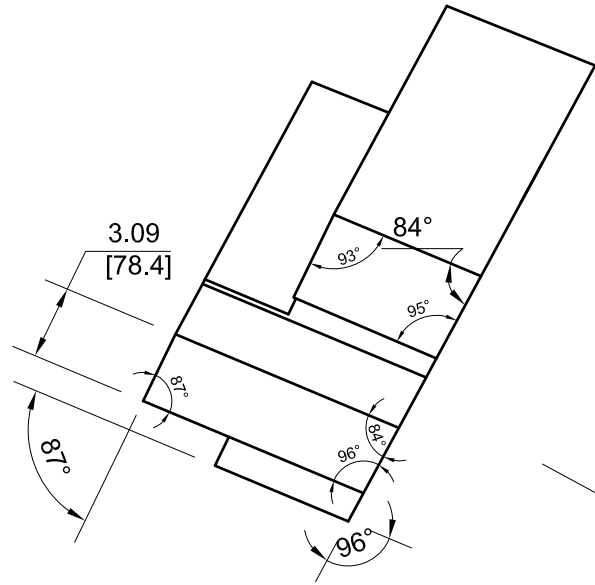
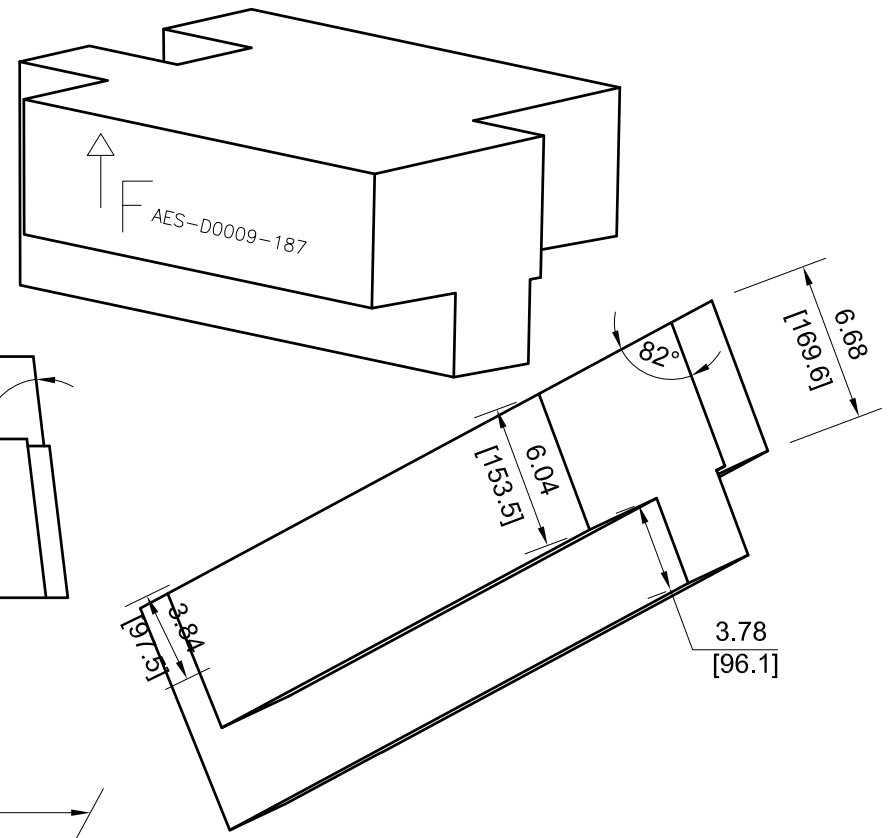
C

D

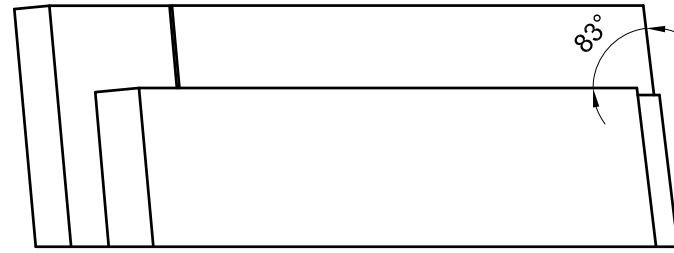
E

F

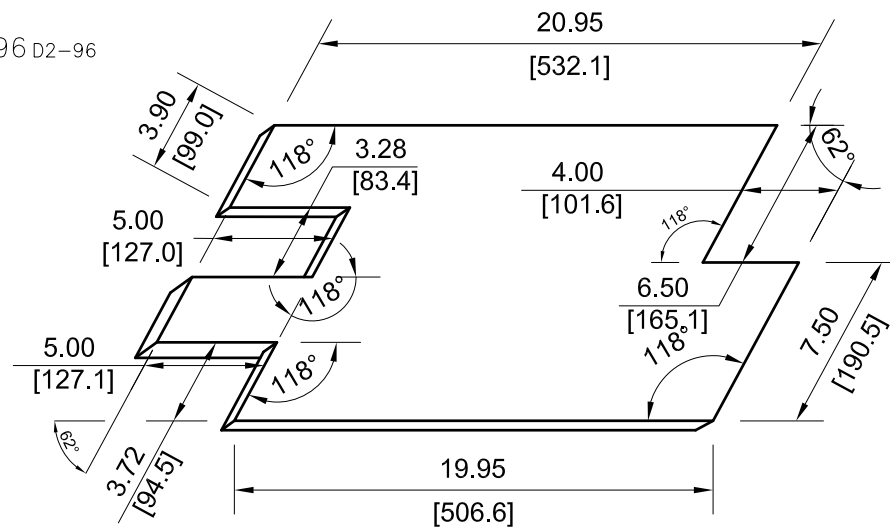
187



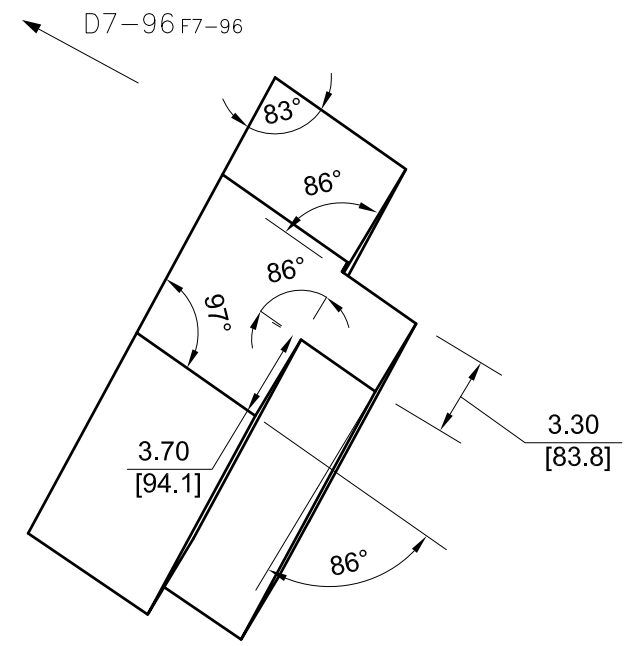
VIEW C4-96



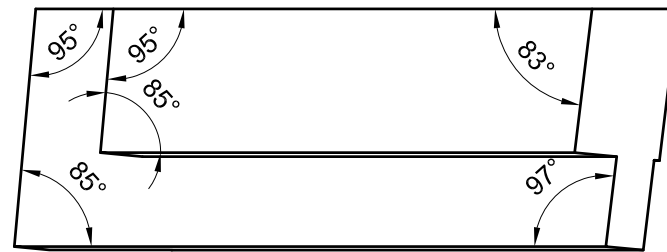
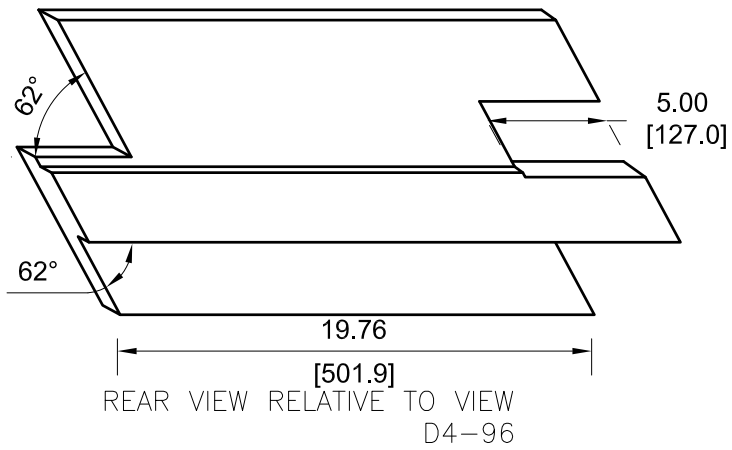
VIEW E6-96




E6-96 C7-96



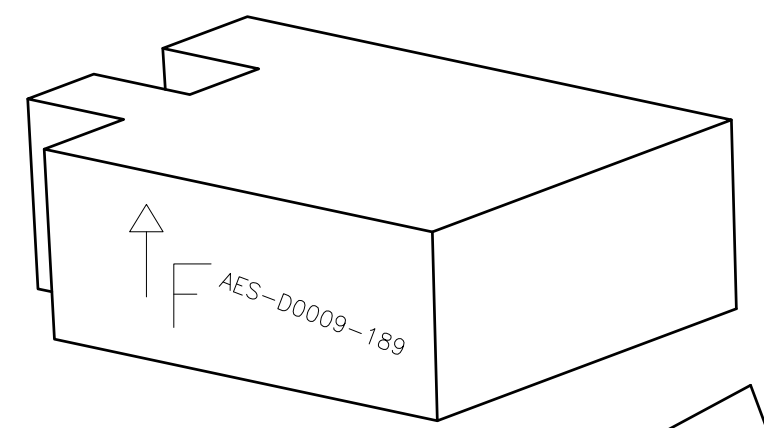
VIEW D7-96



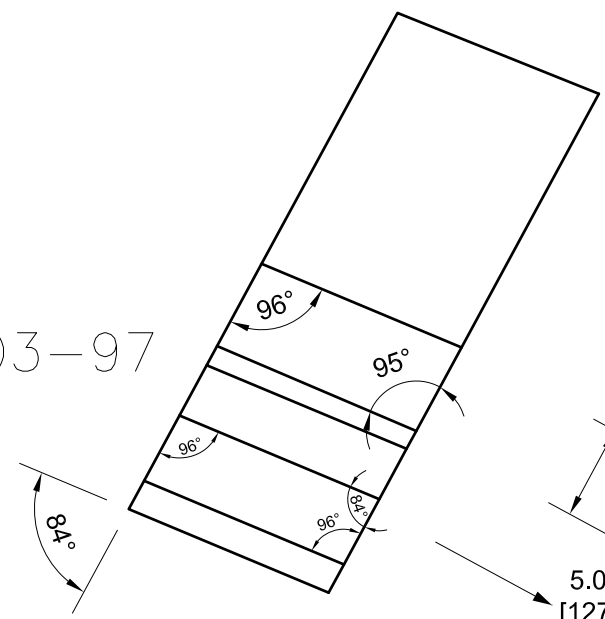
	DRAWING NUMBER				
	AES-D0009				
SIZE	SCALE	SHEET	OF	REVISION	
A3	NONE	96	190	B	

1 2 3 4 5 6 7 8

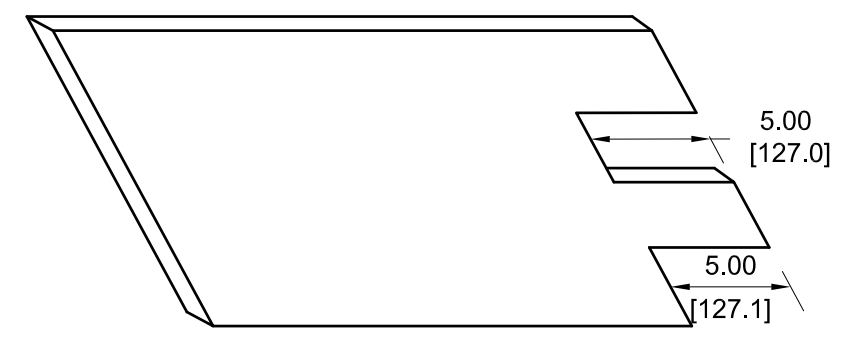
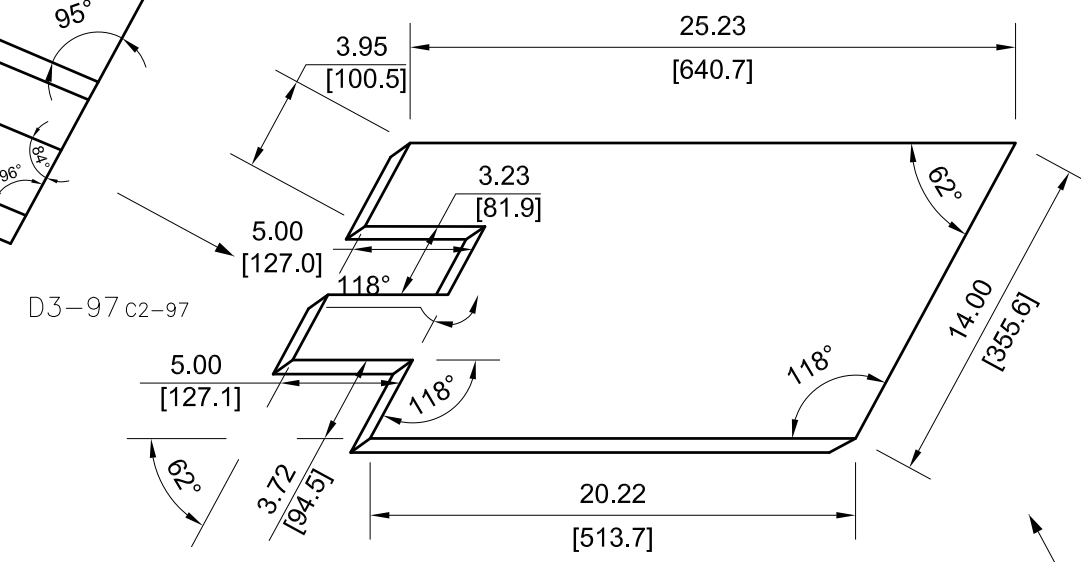
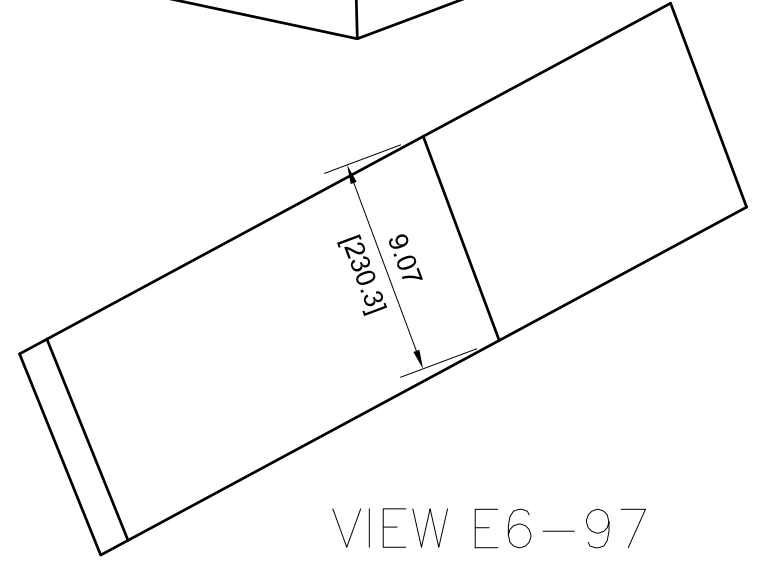
189



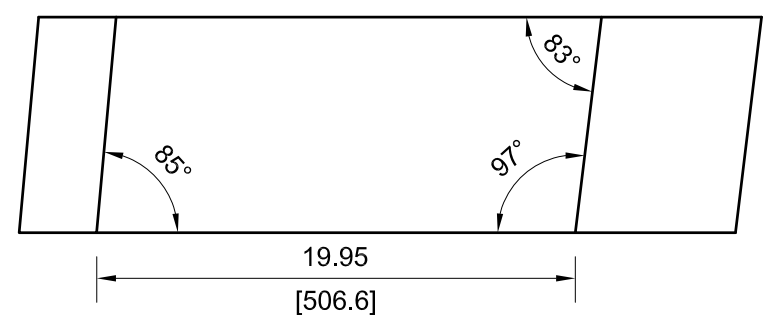
VIEW D3-97



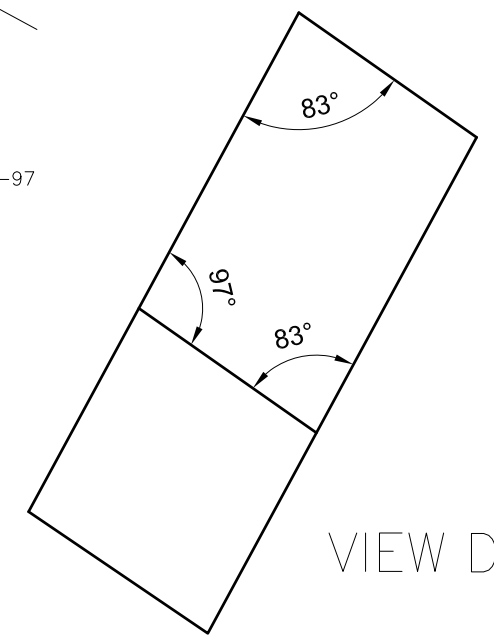
VIEW E6-97



REAR VIEW RELATIVE TO VIEW D5-97



D6-97 F7-97



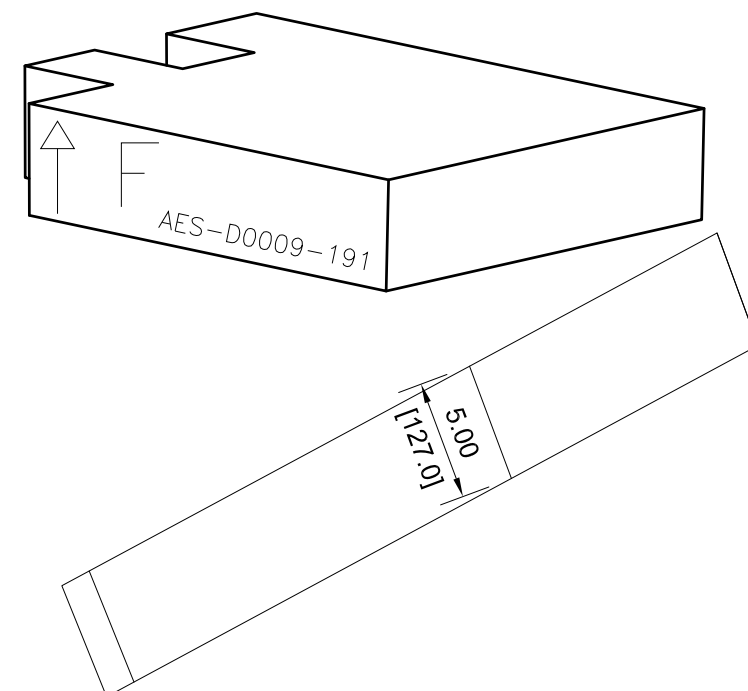
VIEW D6-97

E6-97 C7-97

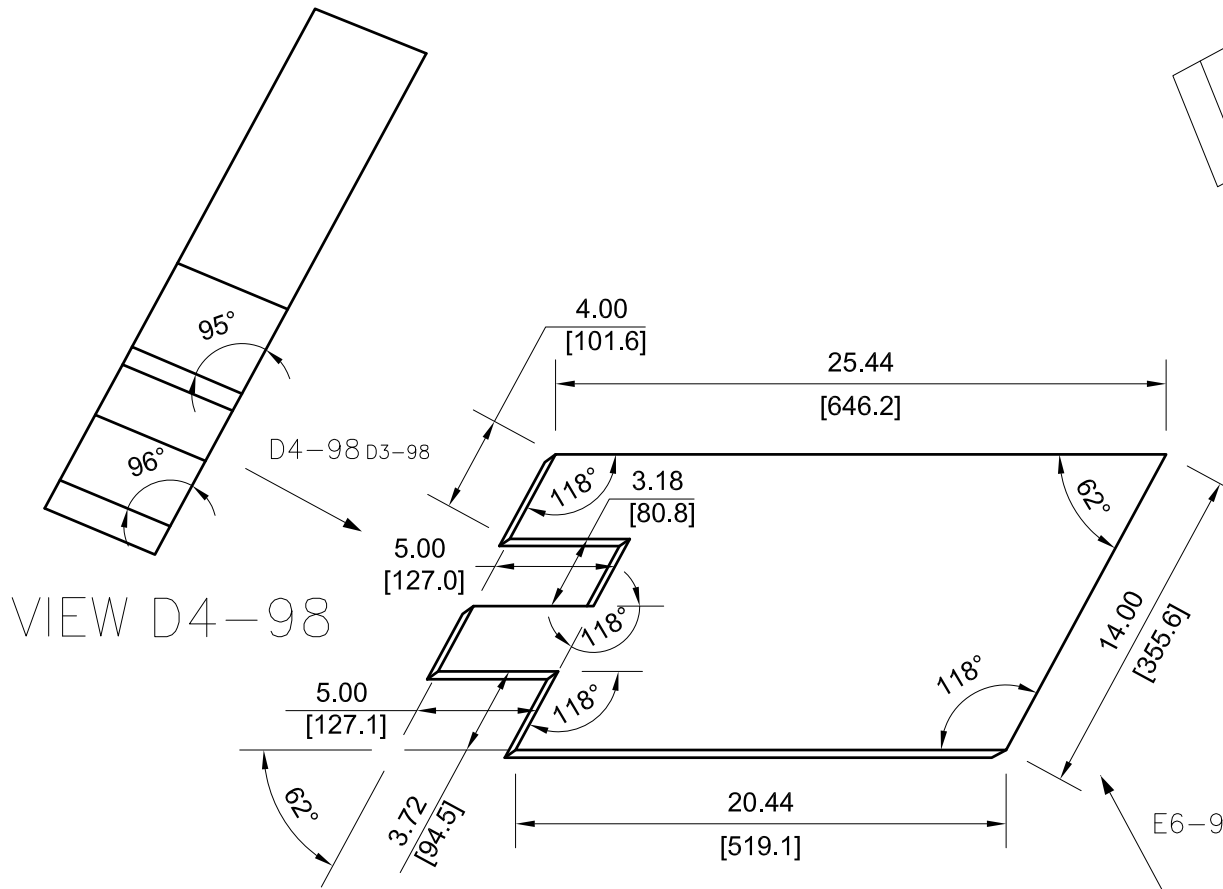


DRAWING NUMBER				
AES-D0009				
SIZE	SCALE	SHEET	OF	REVISION
A3	NONE	97	190	B

191

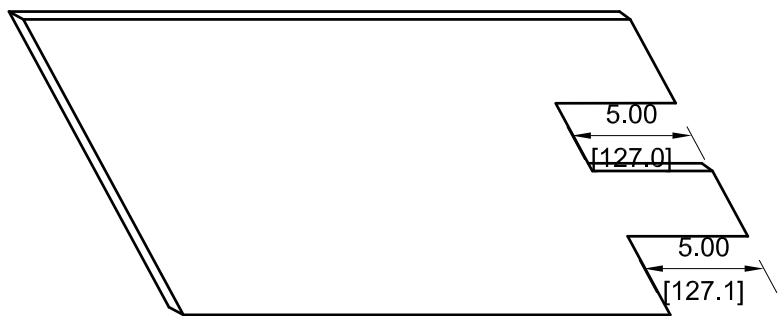


VIEW E6-98

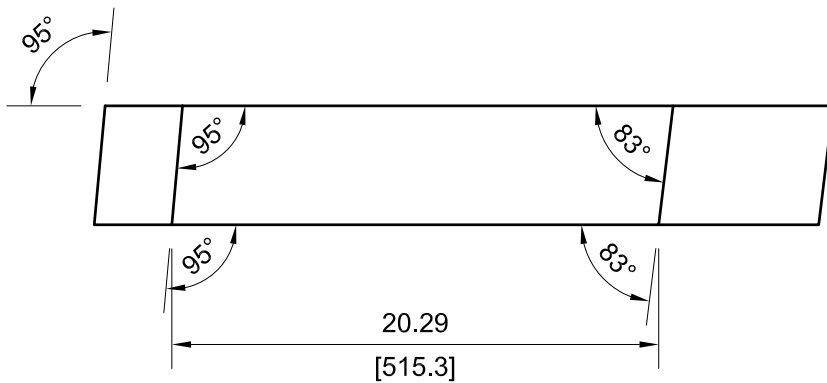


VIEW D4-98

VIEW D7-98

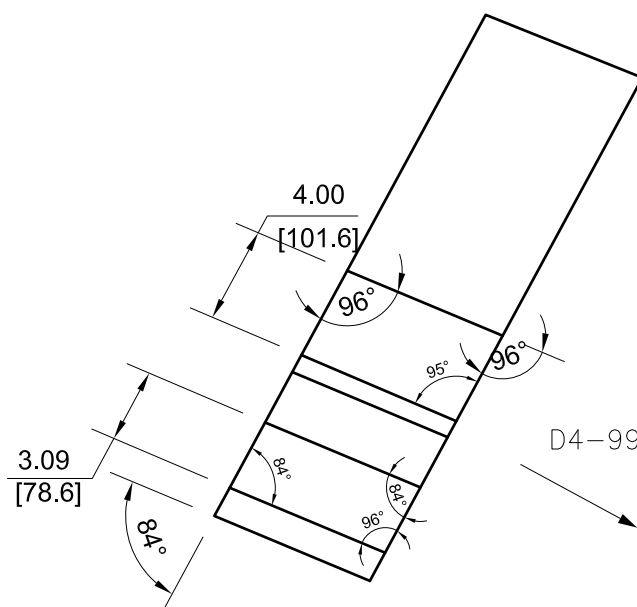
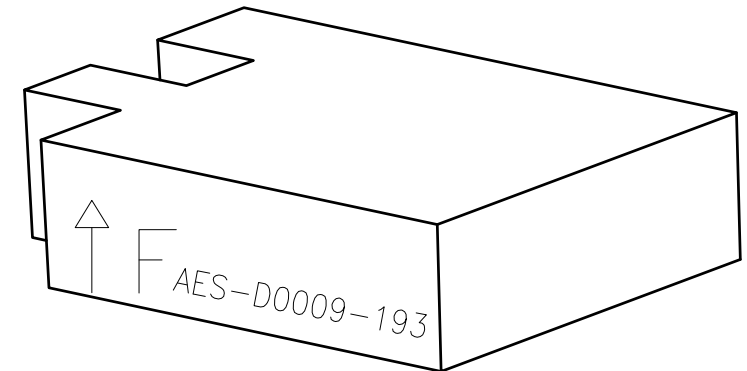


REAR VIEW RELATIVE TO VIEW D5-98

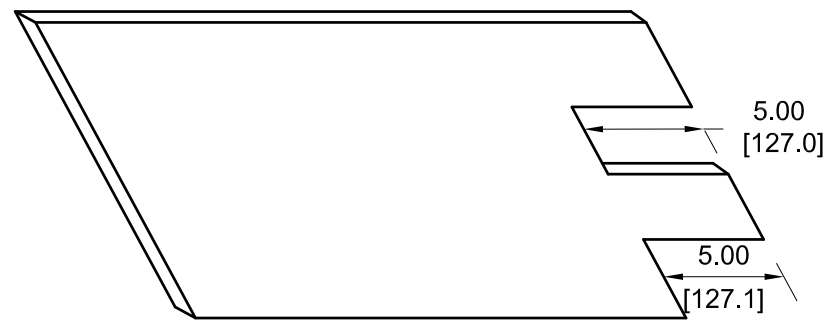


		DRAWING NUMBER			
		AES-D0009			
SIZE	SCALE	SHEET	OF	REVISION	
A3	NONE	98	190	B	

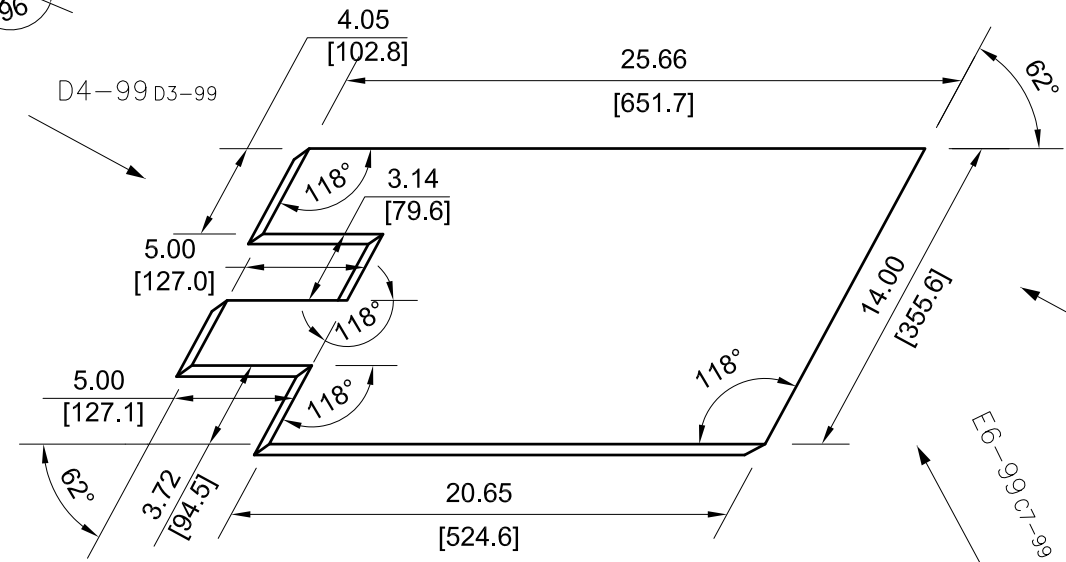
193



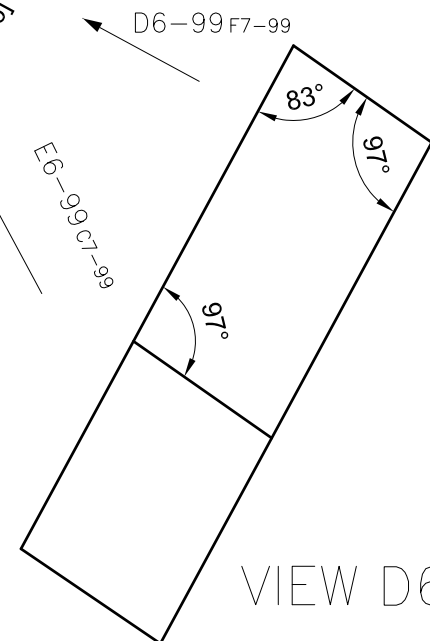
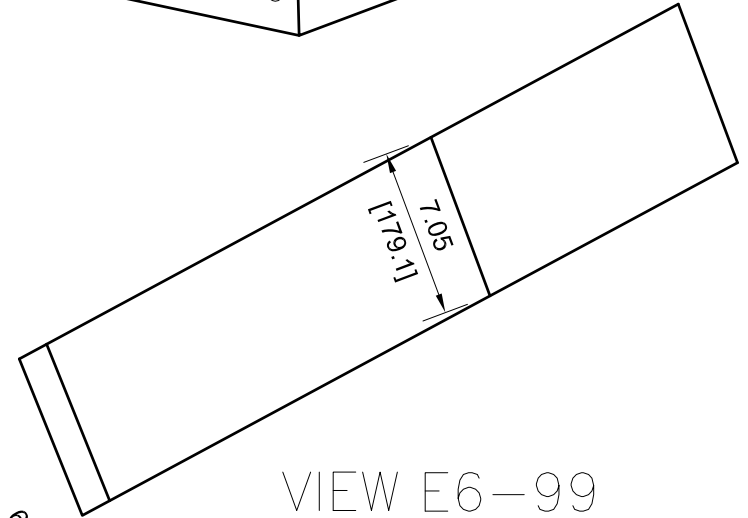
VIEW D4-99



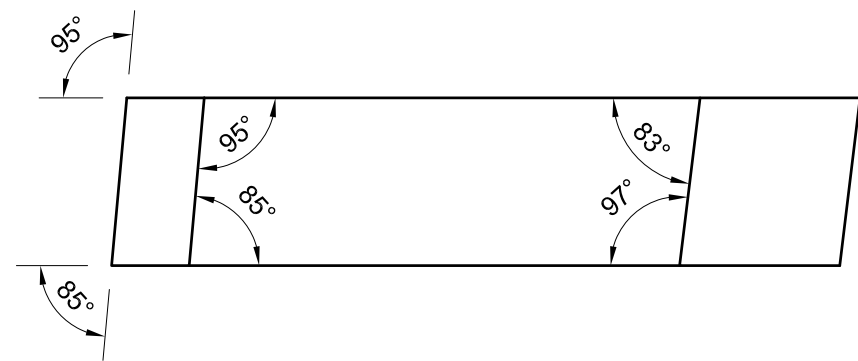
REAR VIEW RELATIVE TO VIEW D4-99



VIEW E6-99

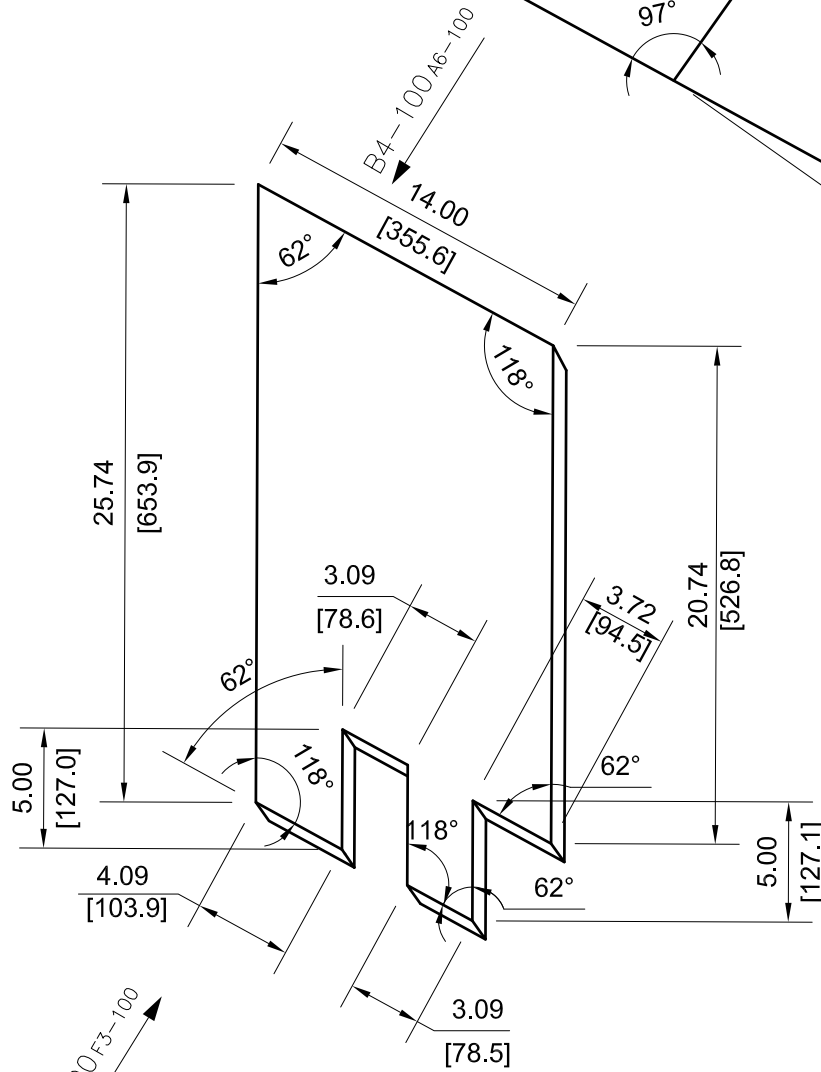
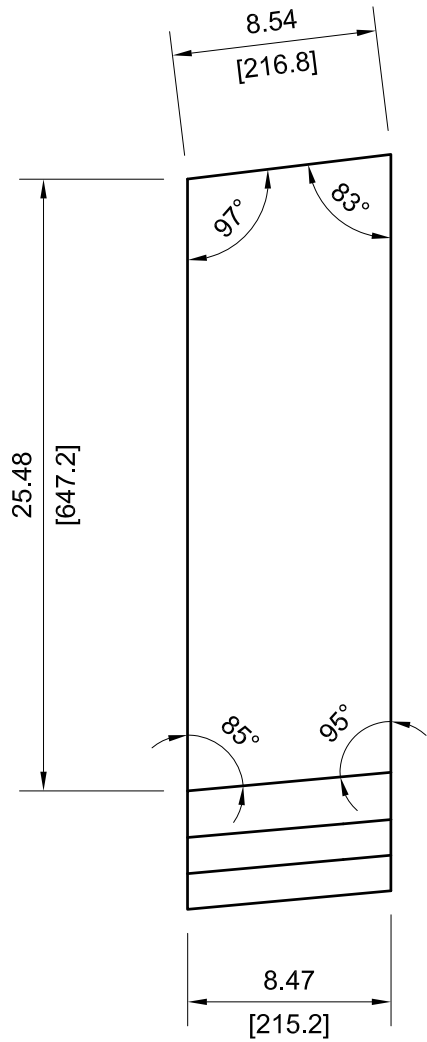
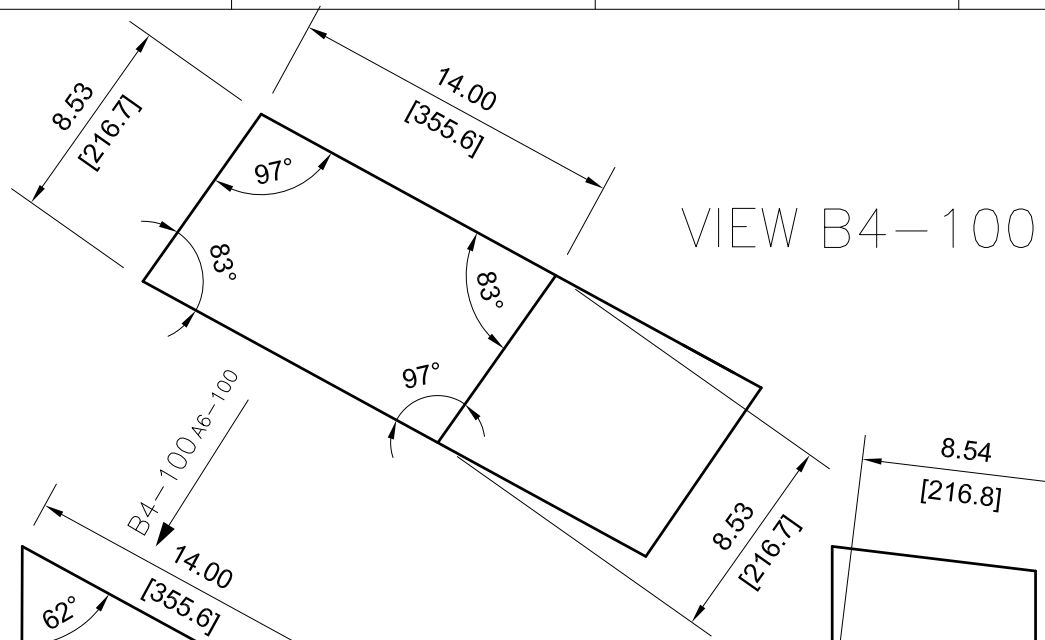


VIEW D6-99

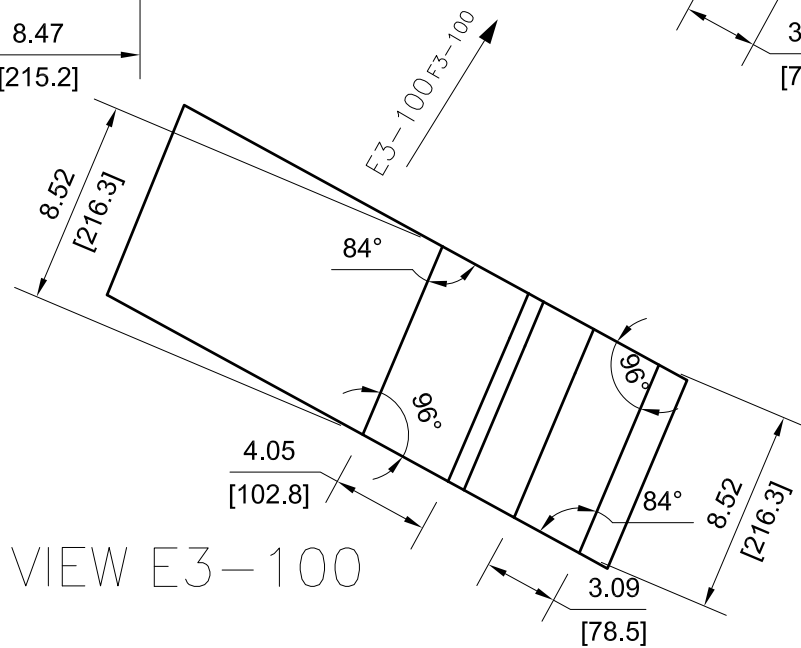
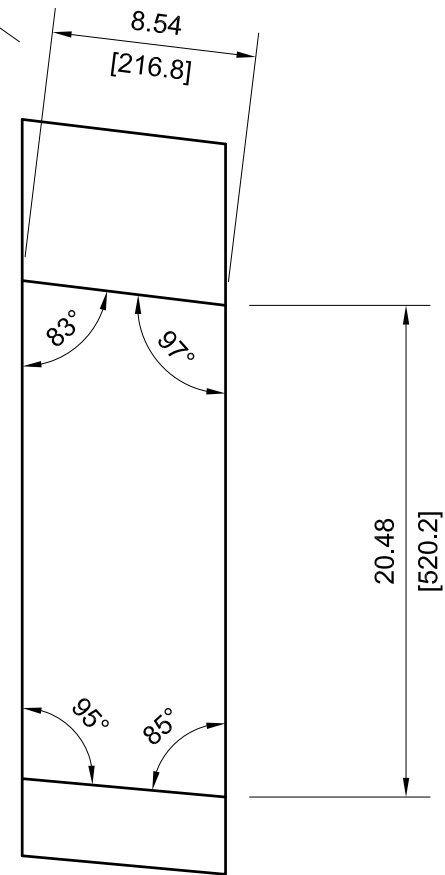


		DRAWING NUMBER			
		AES-D0009			
SIZE	SCALE	SHEET	OF	REVISION	
A3	NONE	99	190	B	

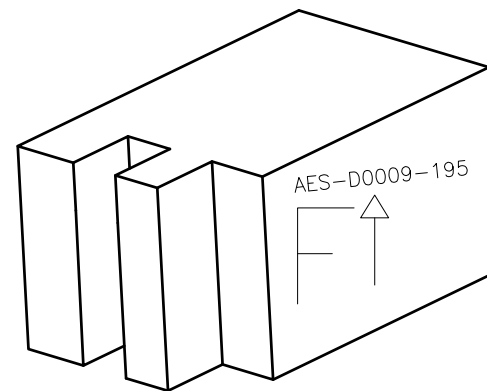
195



VIEW B4-100

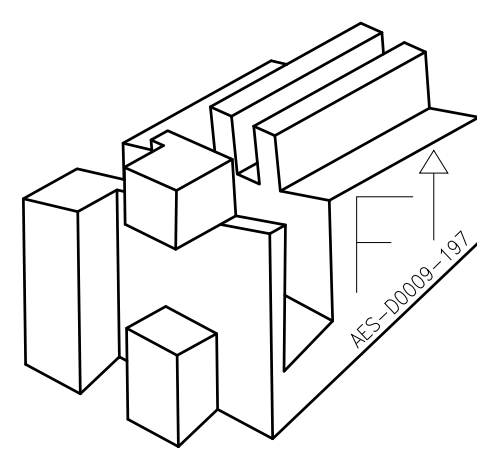
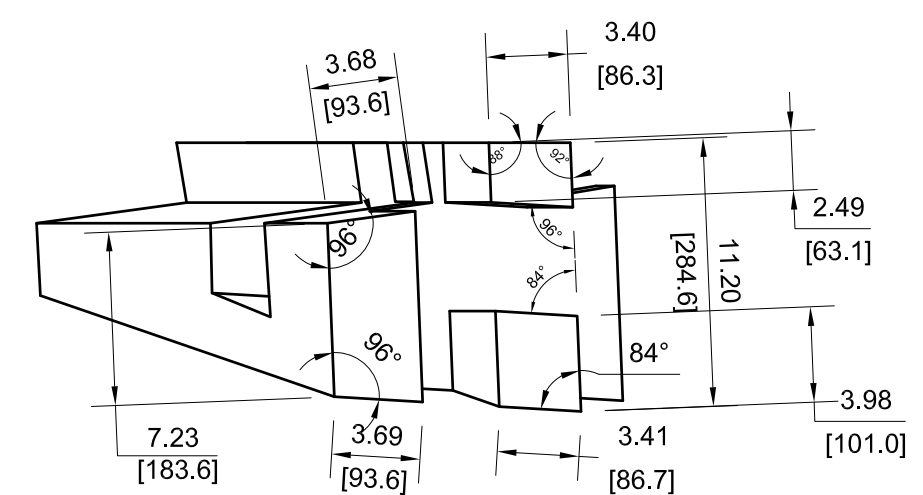
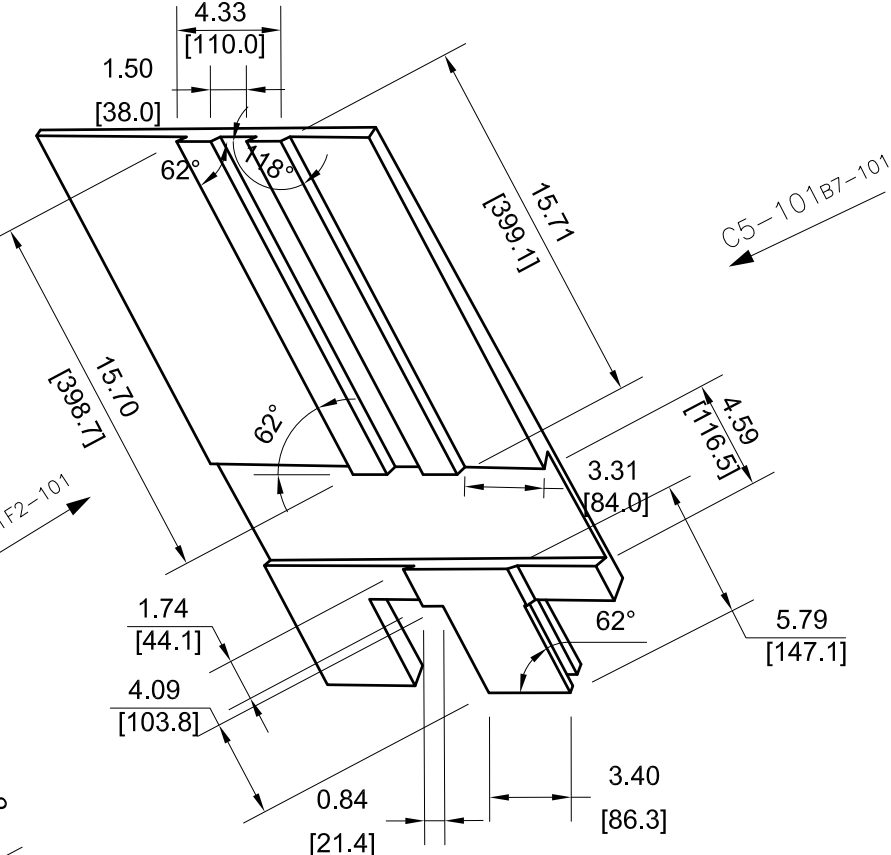
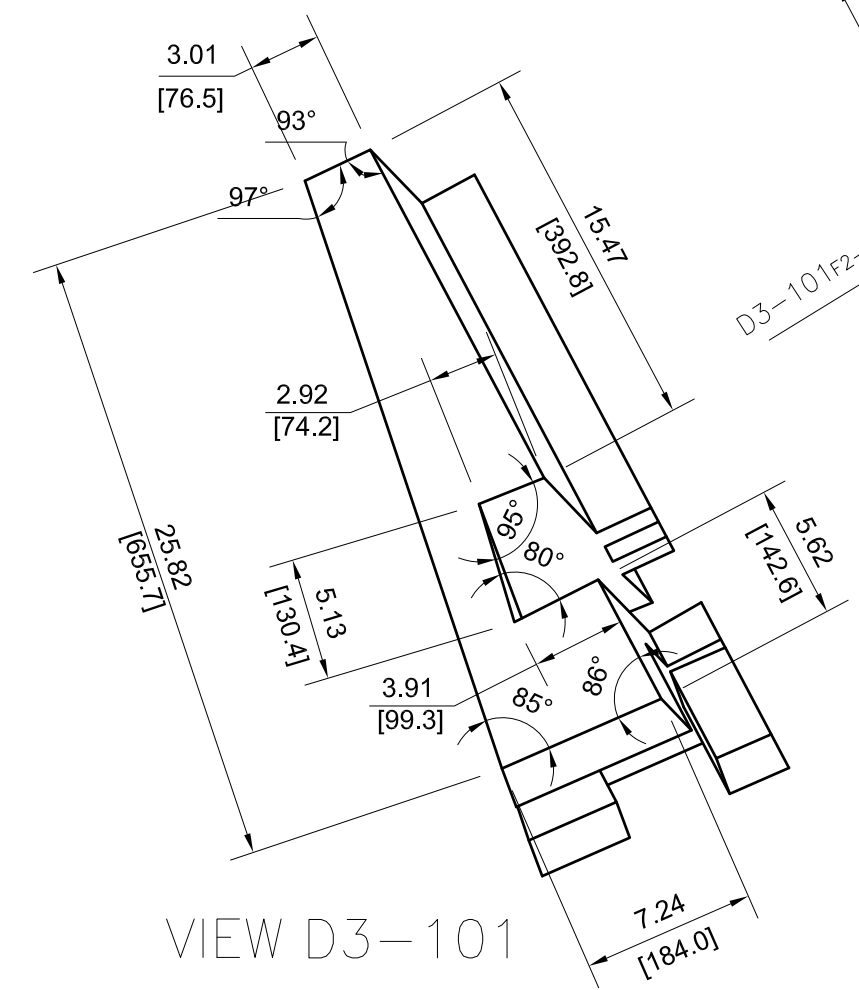
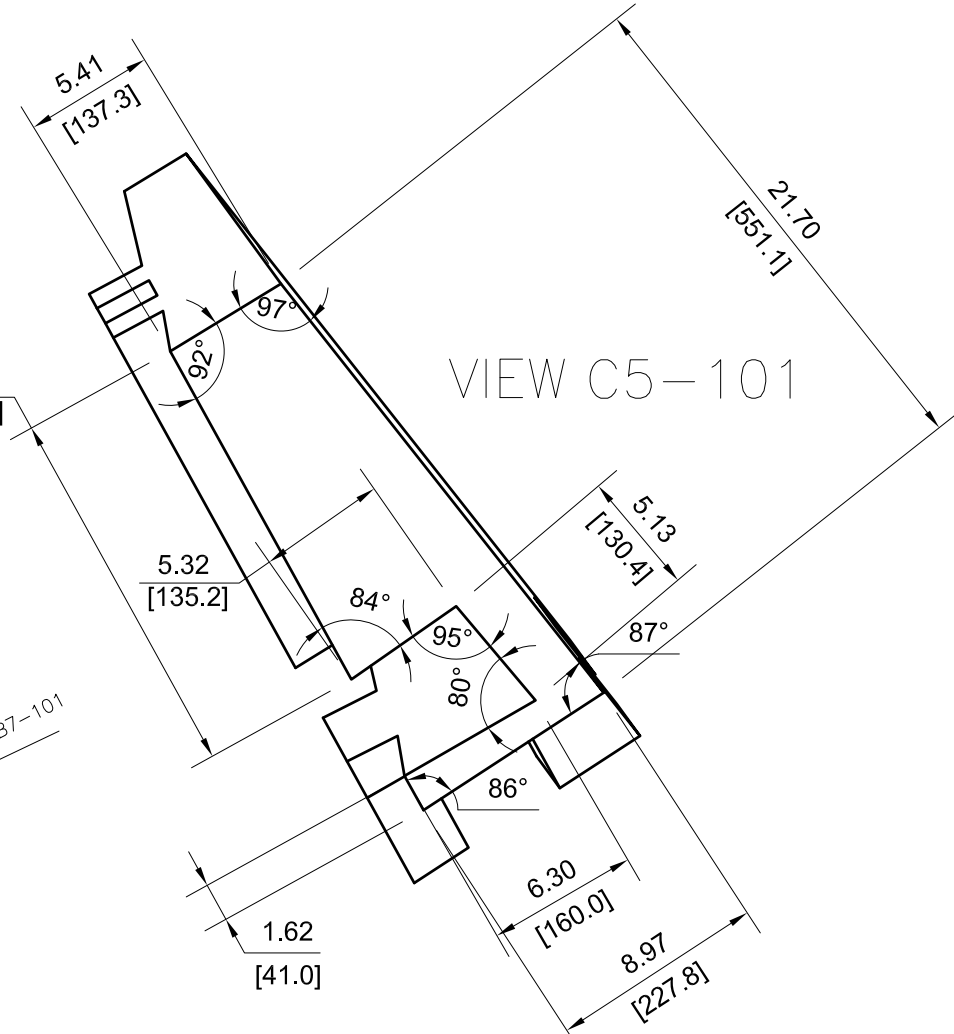
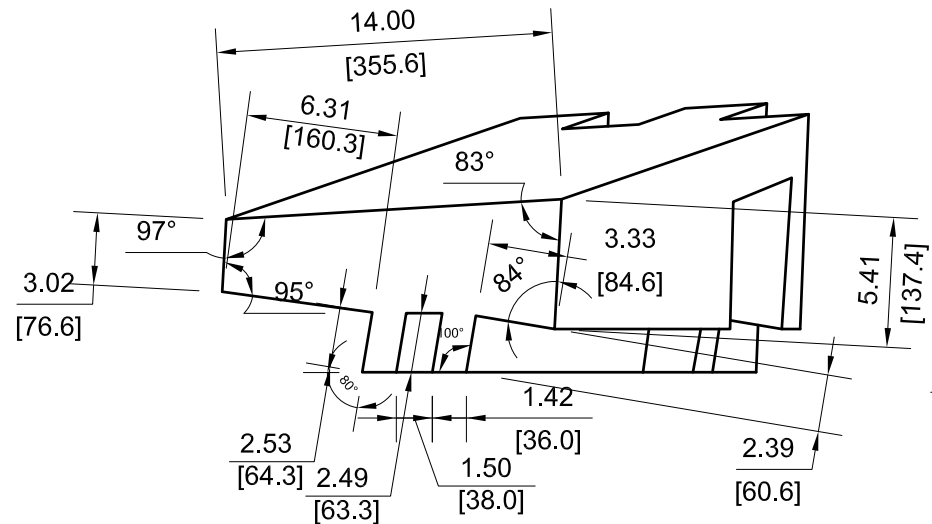


VIEW E3-100



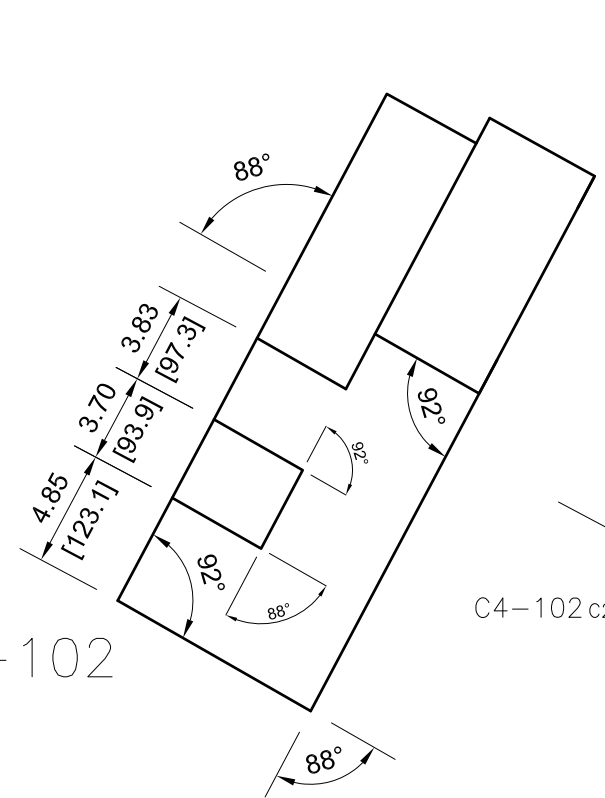
DRAWING NUMBER				
AES-D0009				
SIZE	SCALE	SHEET	OF	REVISION
A3	NONE	100	190	B

197

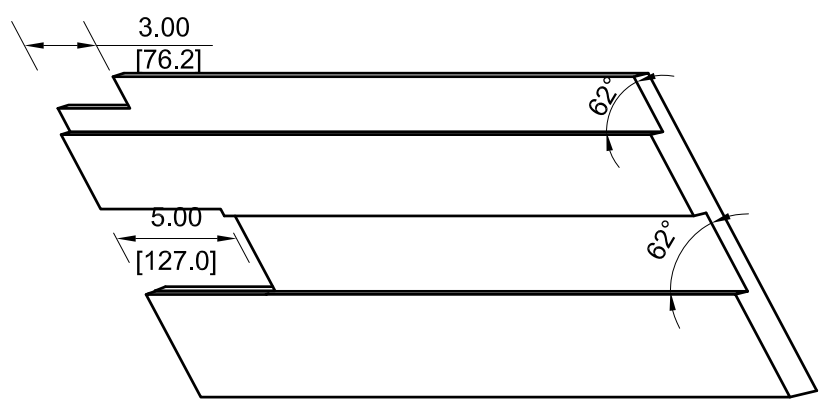
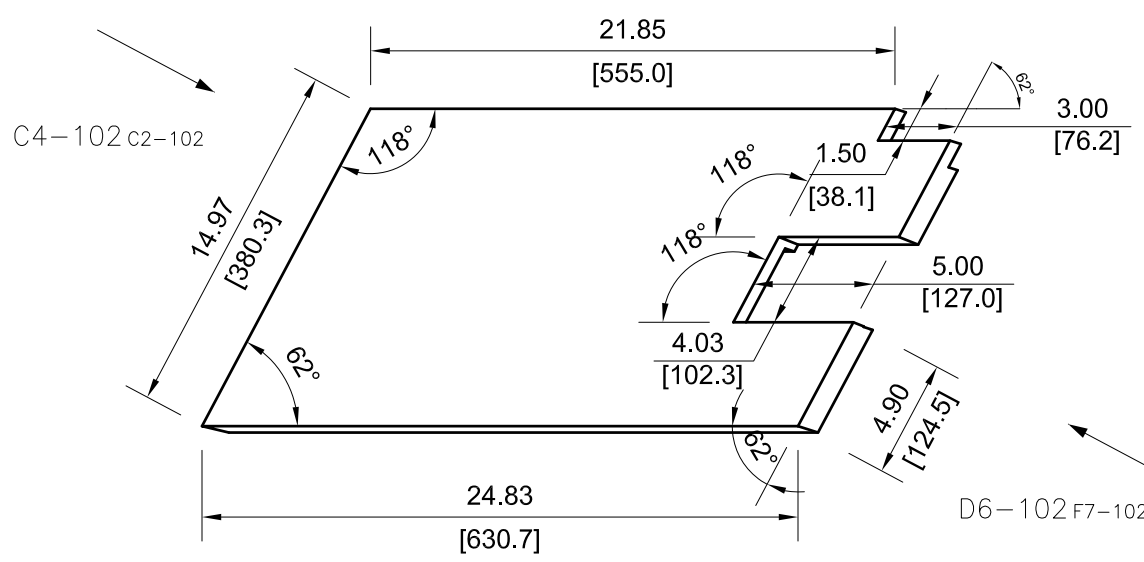
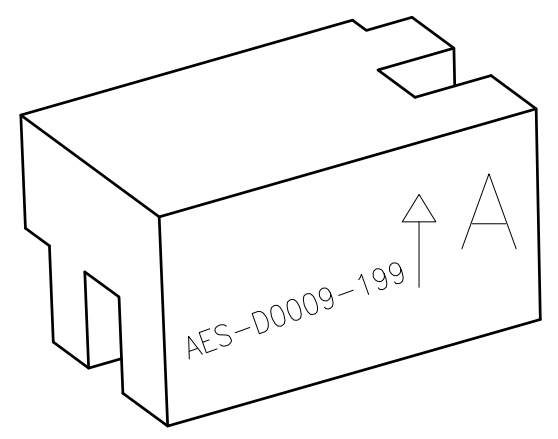
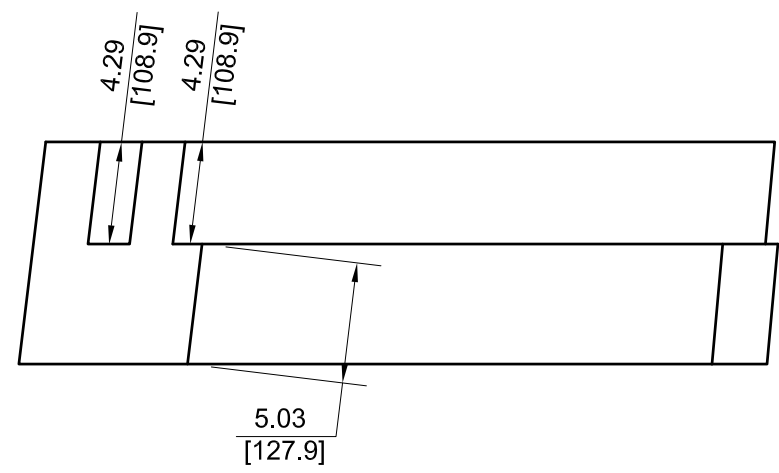


	DRAWING NUMBER				
	AES-D0009				
SIZE	SCALE	SHEET	OF	REVISION	
A3	NONE	101	190	B	

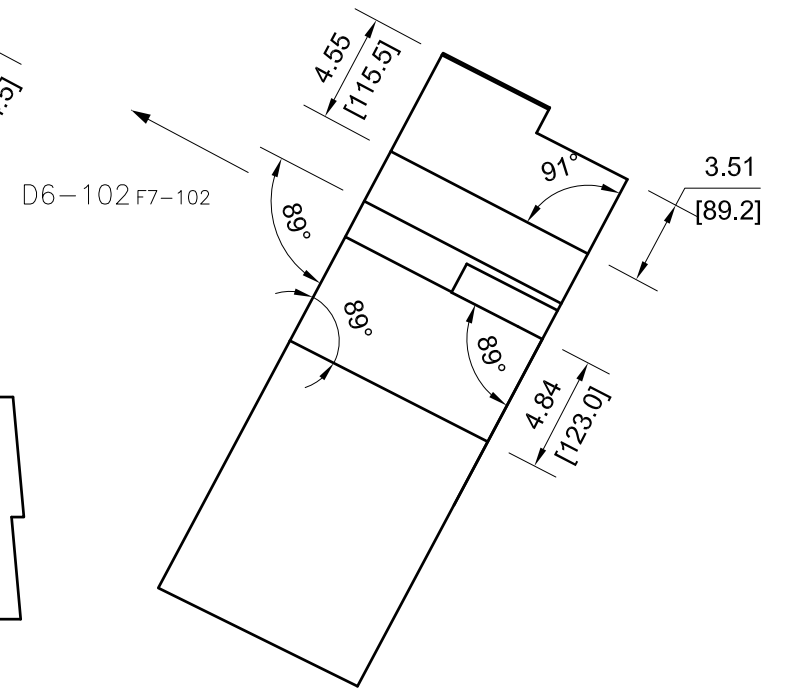
199



VIEW C4-102



REAR VIEW RELATIVE TO VIEW D5-102

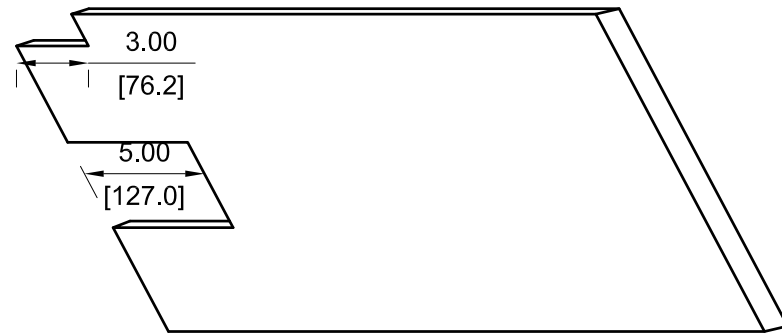
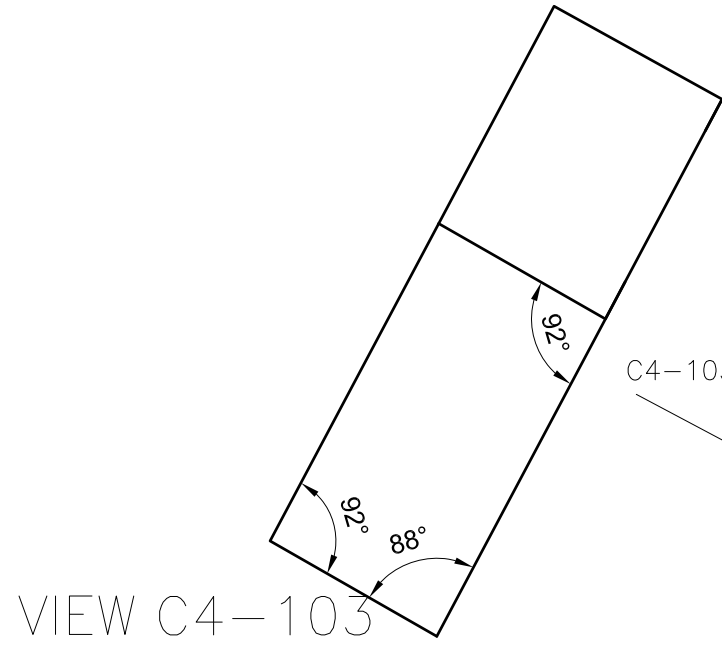
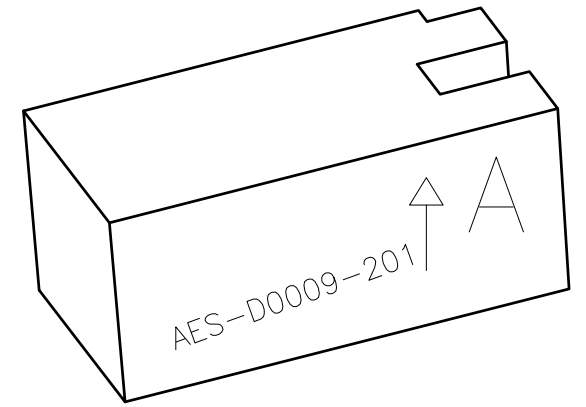


VIEW D6-102

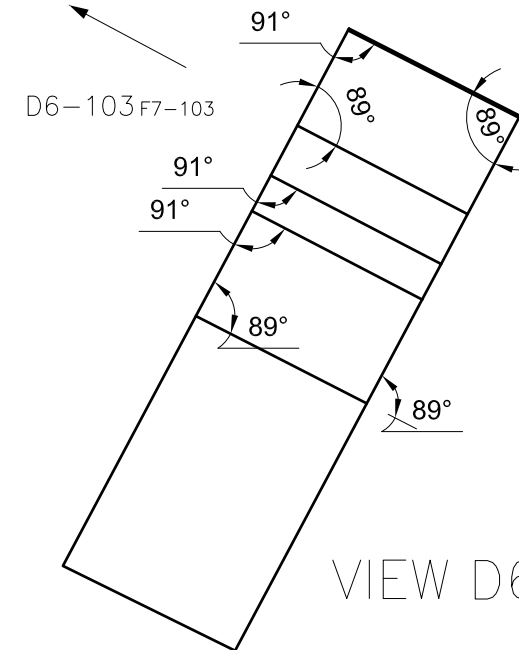
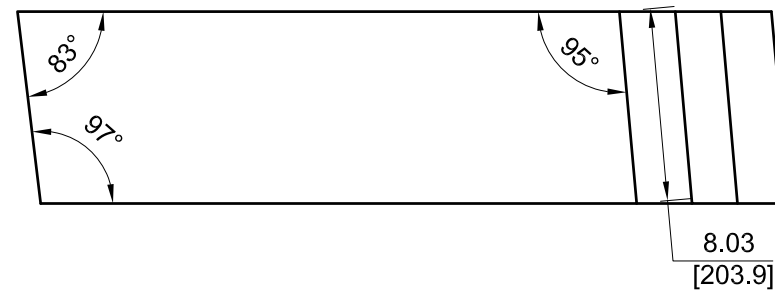
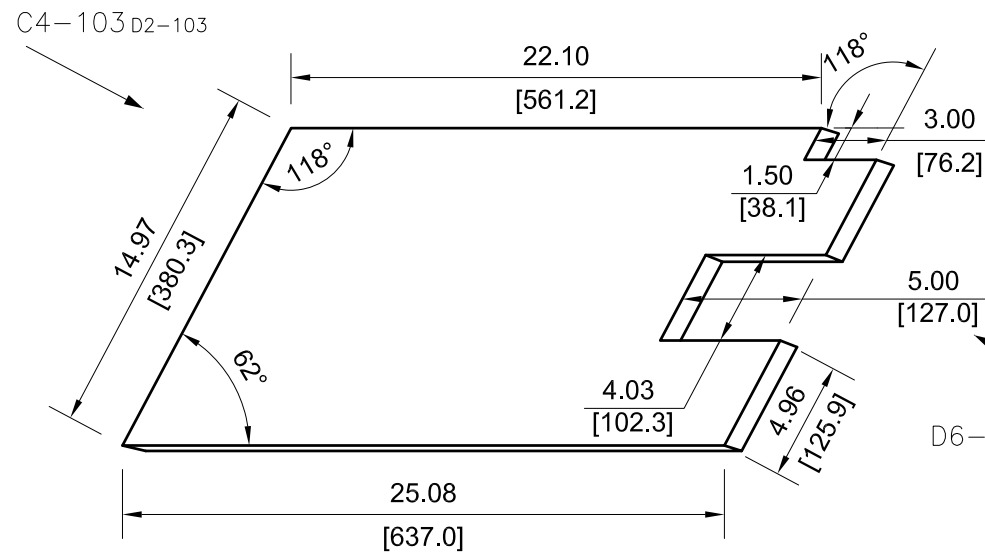


DRAWING NUMBER				
AES-D0009				
SIZE	SCALE	SHEET	OF	REVISION
A3	NONE	102	190	B

-201



REAR VIEW RELATIVE TO VIEW D5-103

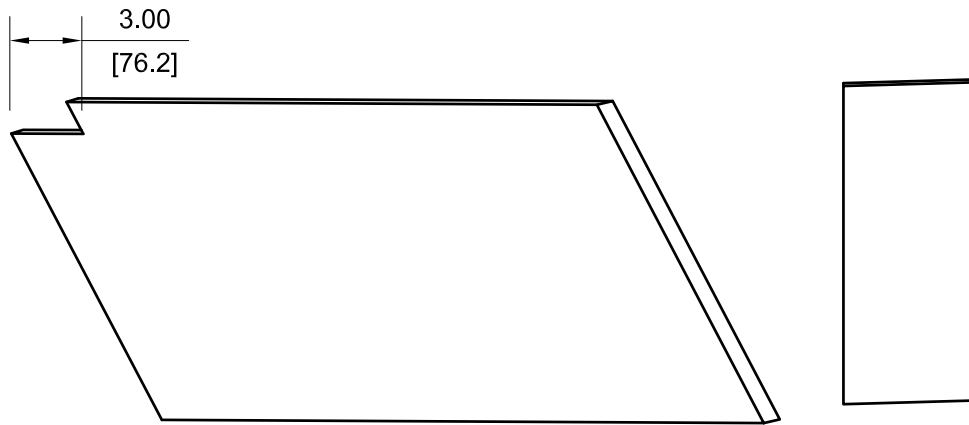
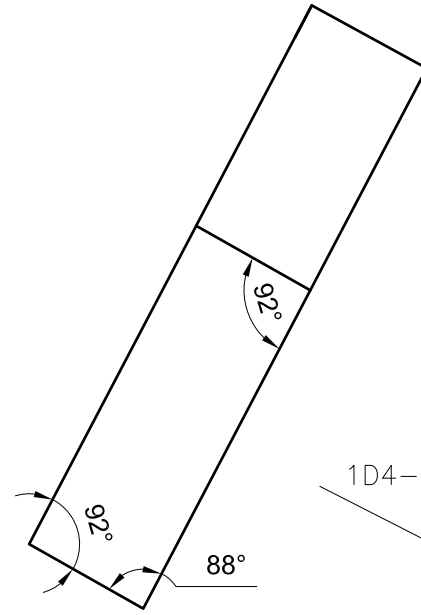
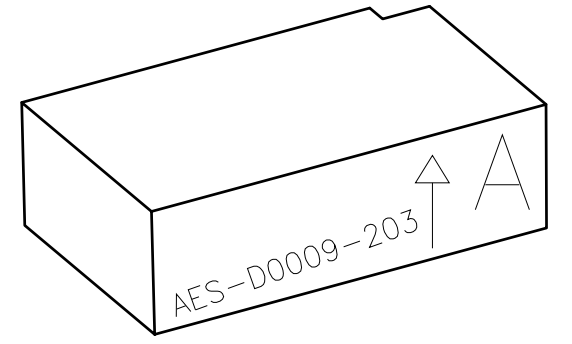


VIEW D6-103

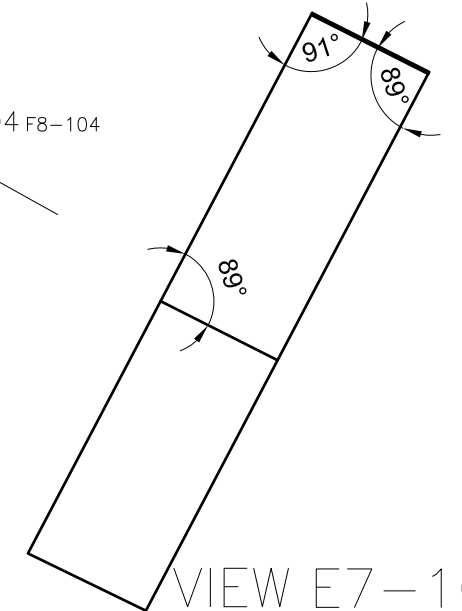
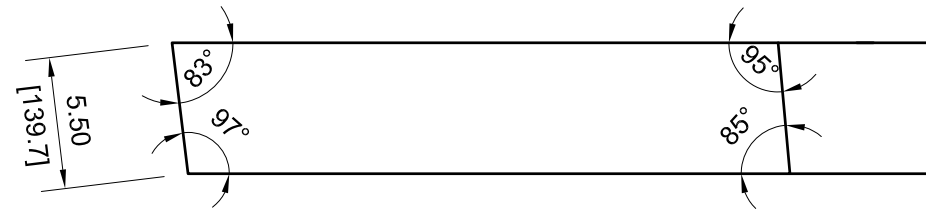
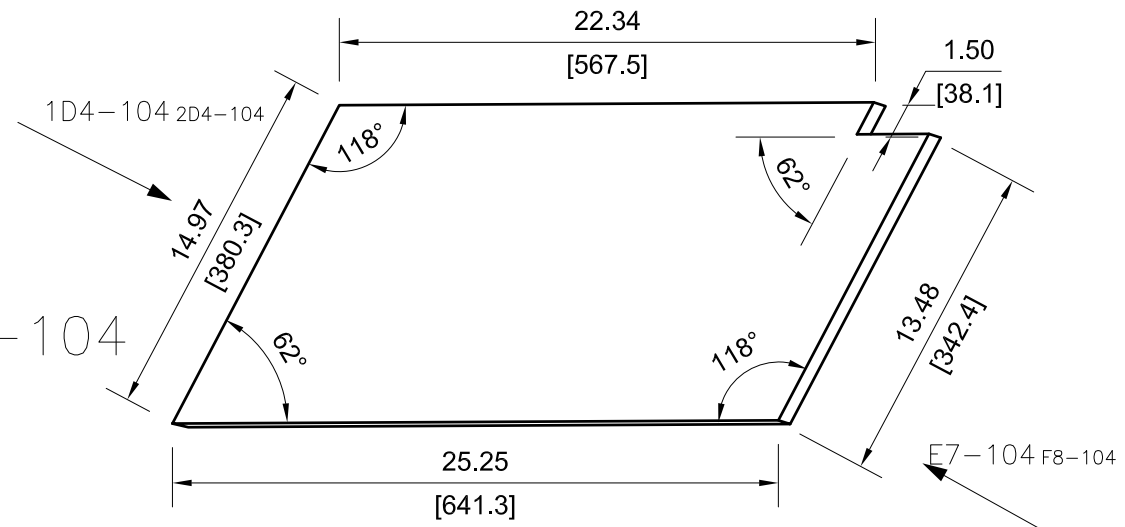


DRAWING NUMBER				
AES-D0009				
SIZE	SCALE	SHEET	OF	REVISION
A3	NONE	103	190	B

— 203



VIEW 1D4-104

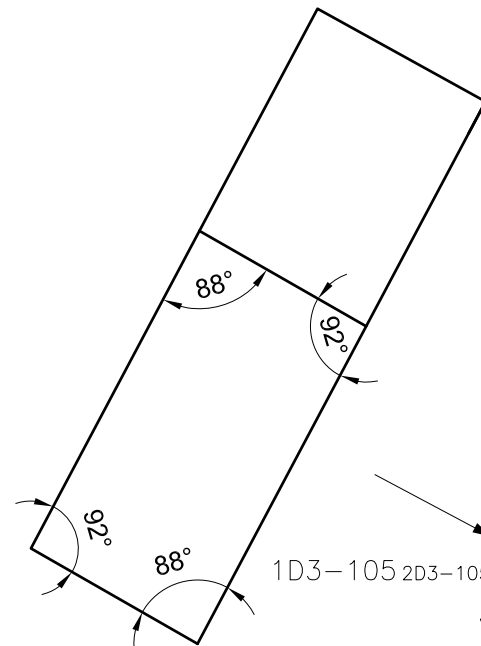
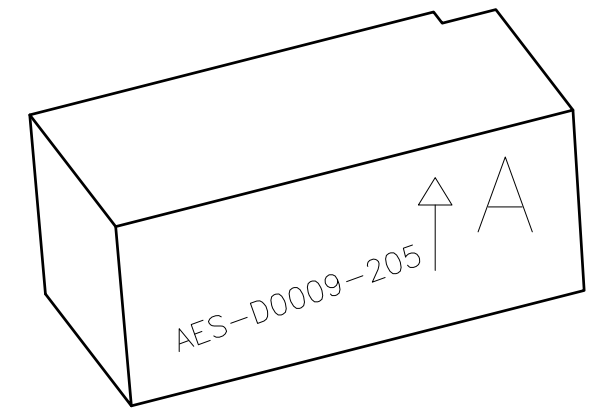


VIEW E7-104



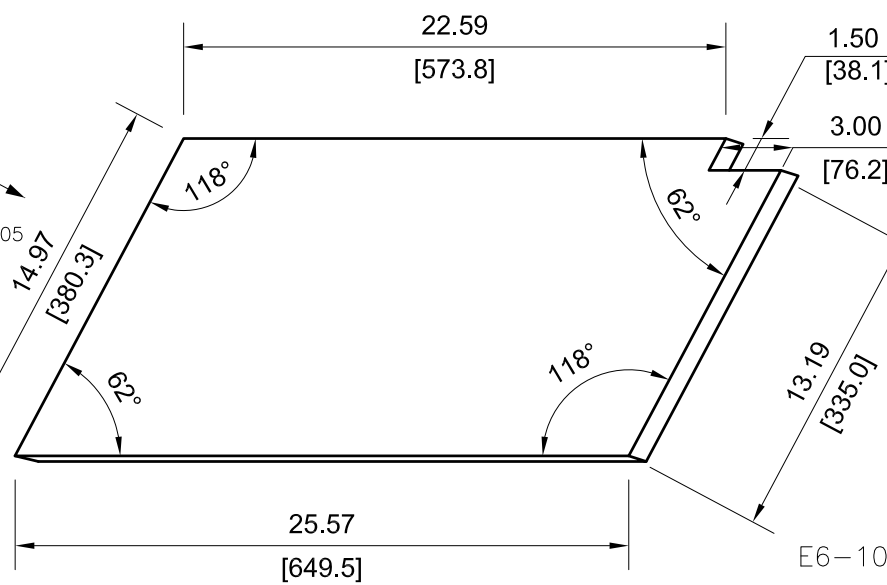
DRAWING NUMBER				
AES-D0009				
SIZE	SCALE	SHEET	OF	REVISION
A3	NONE	104	190	B

— 205

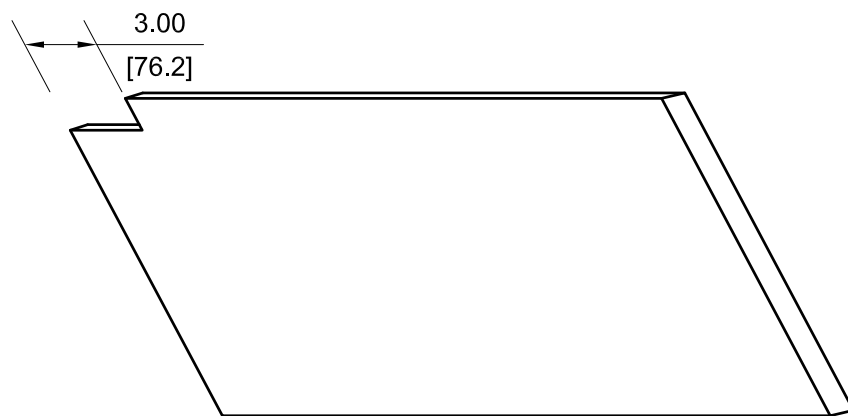


VIEW 1D3-105

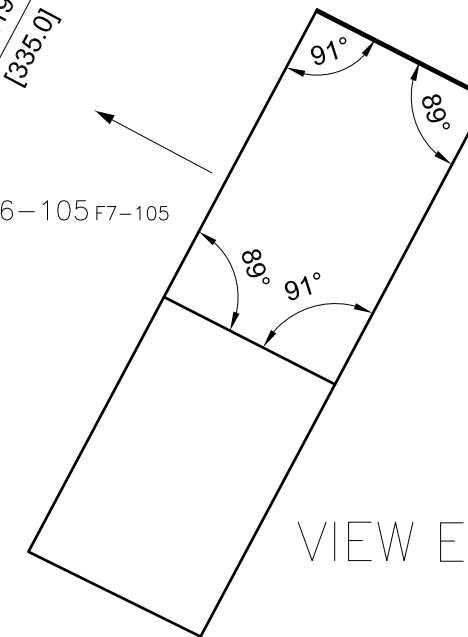
1D3-105 2D3-105



E6-105 F7-105



REAR VIEW RELATIVE TO VIEW D4-105

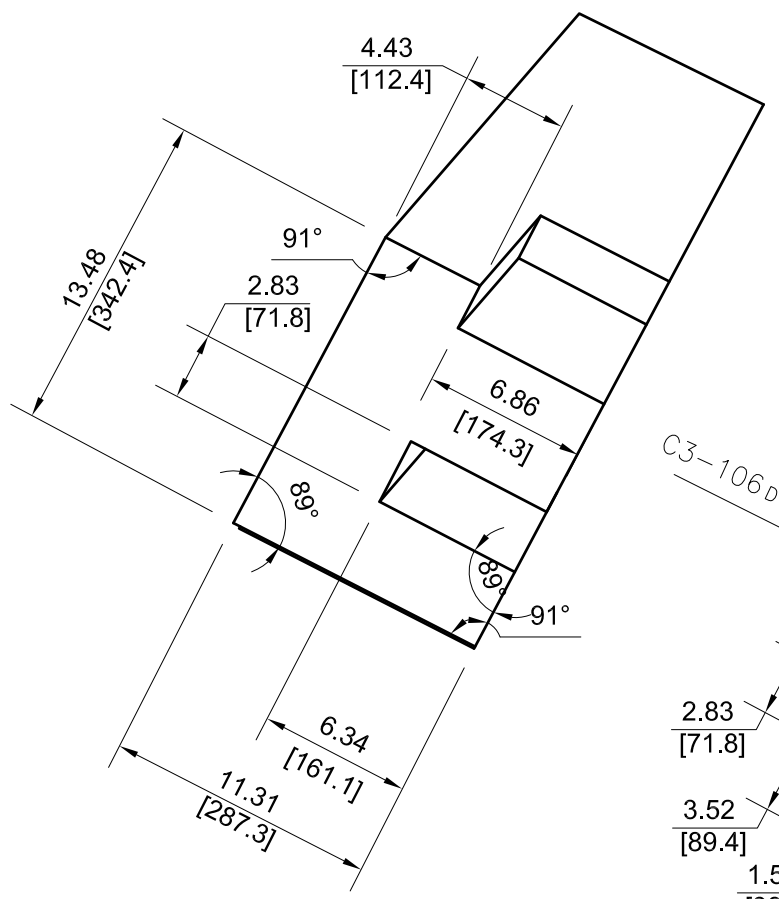
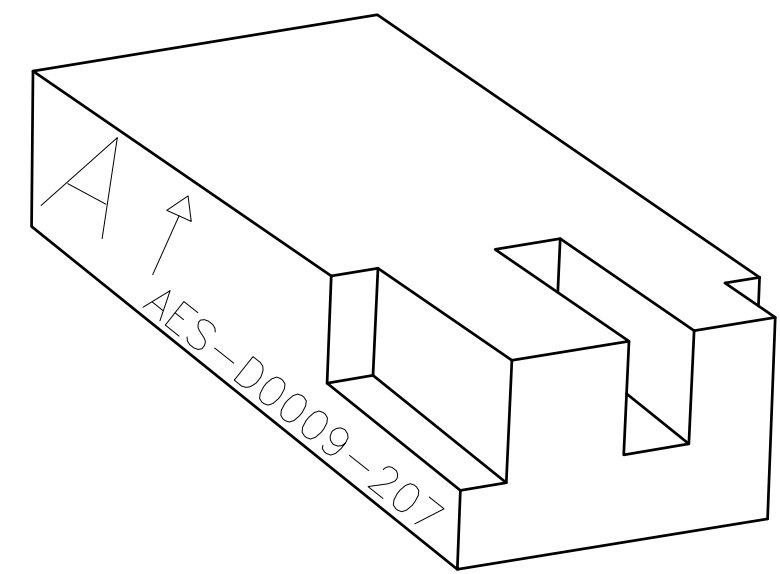
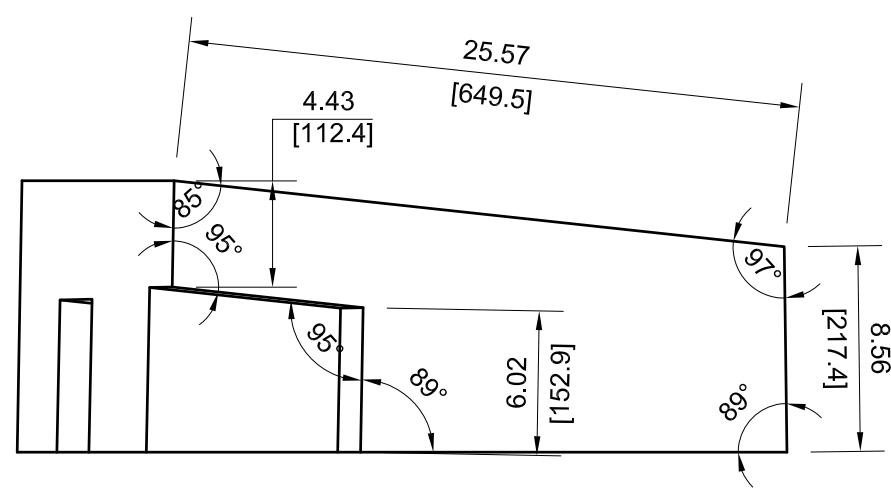


VIEW E6-105

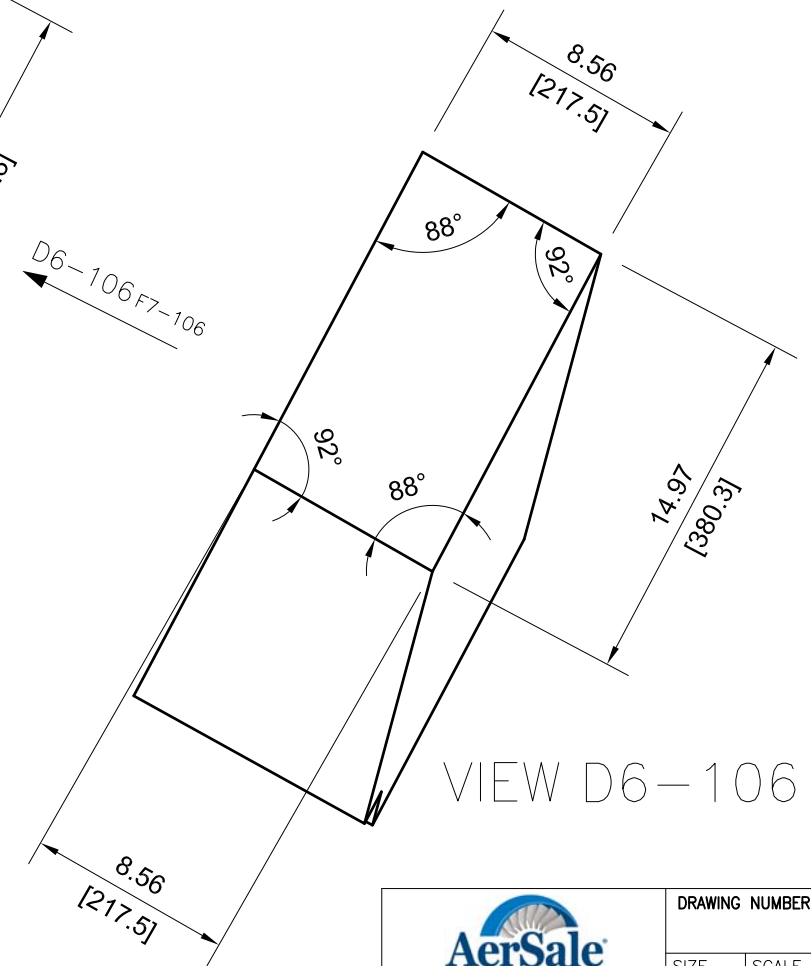
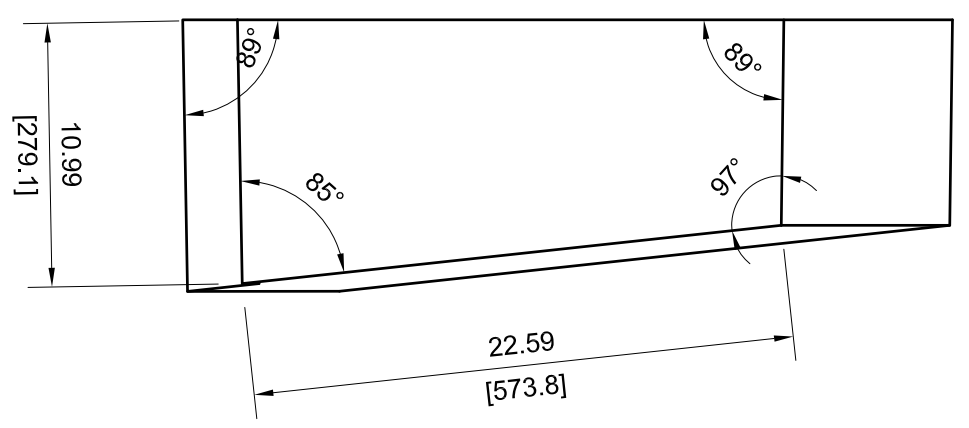
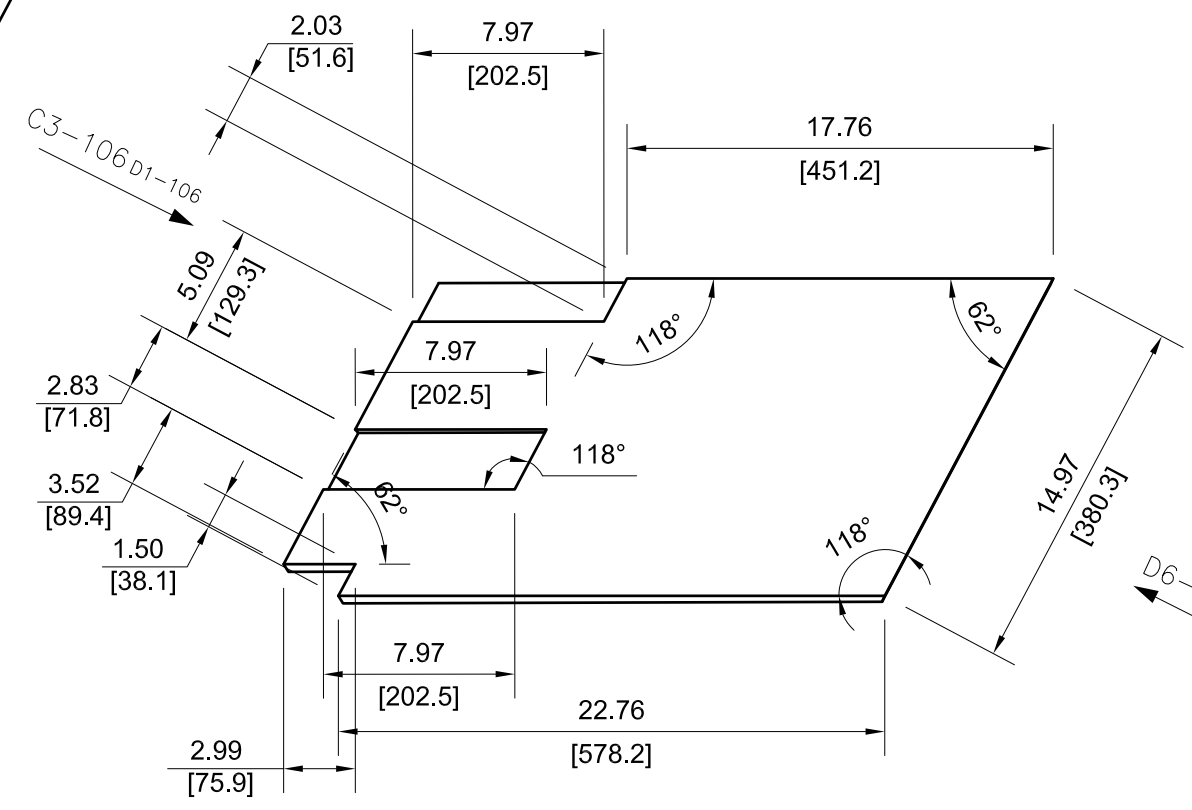


DRAWING NUMBER					AES-D0009	
SIZE	SCALE	SHEET	OF	REVISION		
A3	NONE	105	190	B		

207



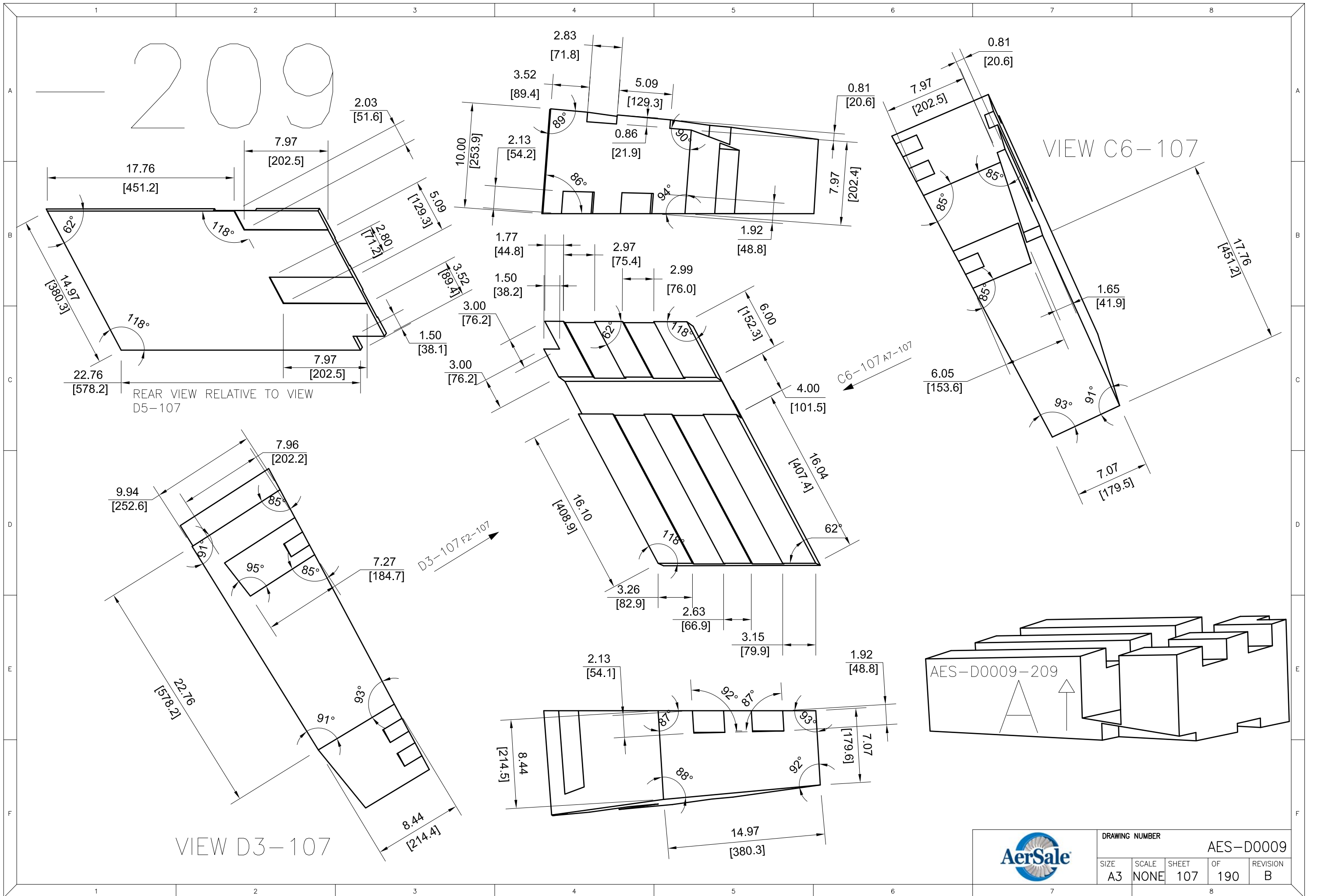
VIEW C3-106




VIEW D6-106

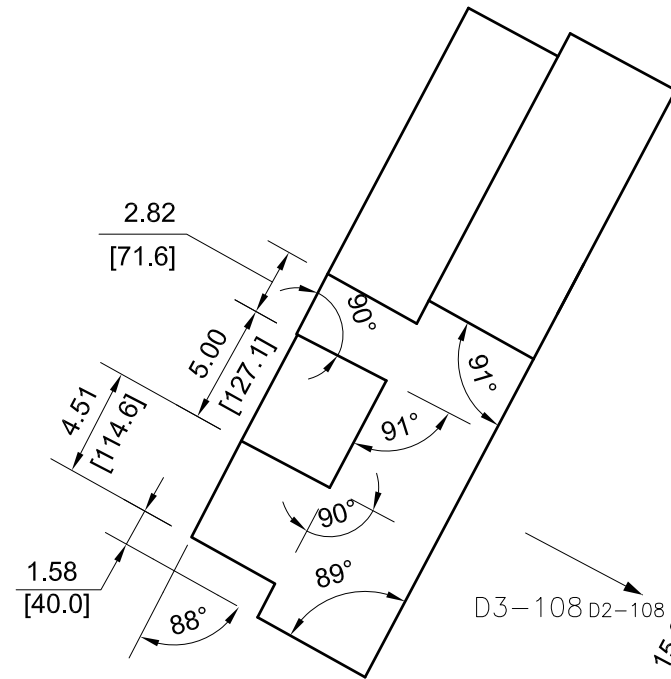
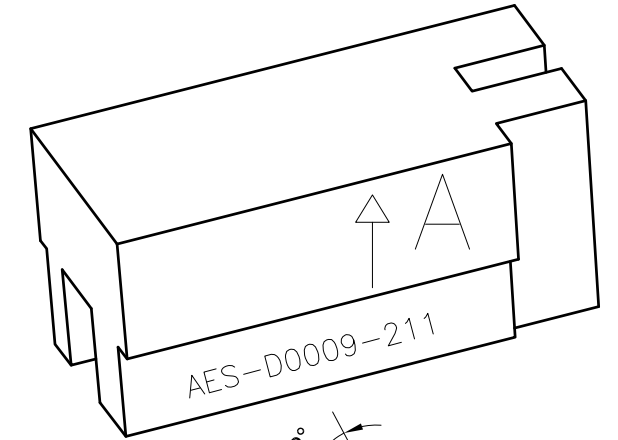
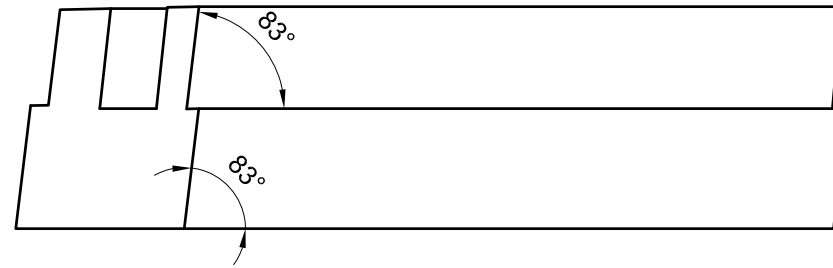


DRAWING NUMBER				
AES-D0009				
SIZE	SCALE	SHEET	OF	REVISION
A3	NONE	106	190	B

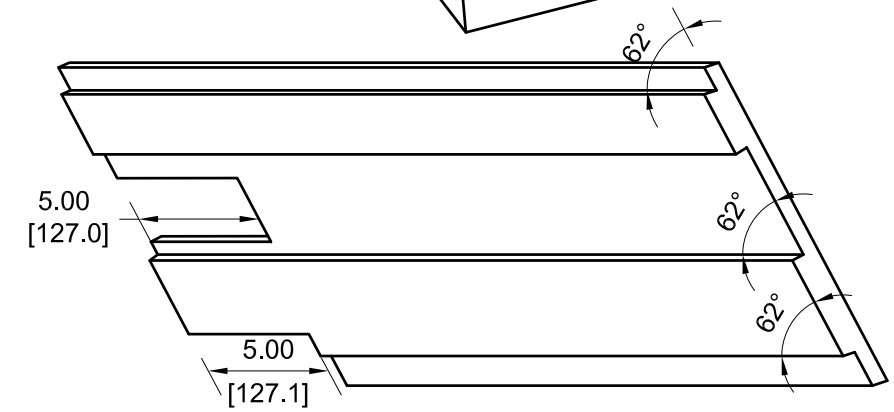


	DRAWING NUMBER				
	AES-D0009				
SIZE	SCALE	SHEET	OF	REVISION	
A3	NONE	107	190	B	

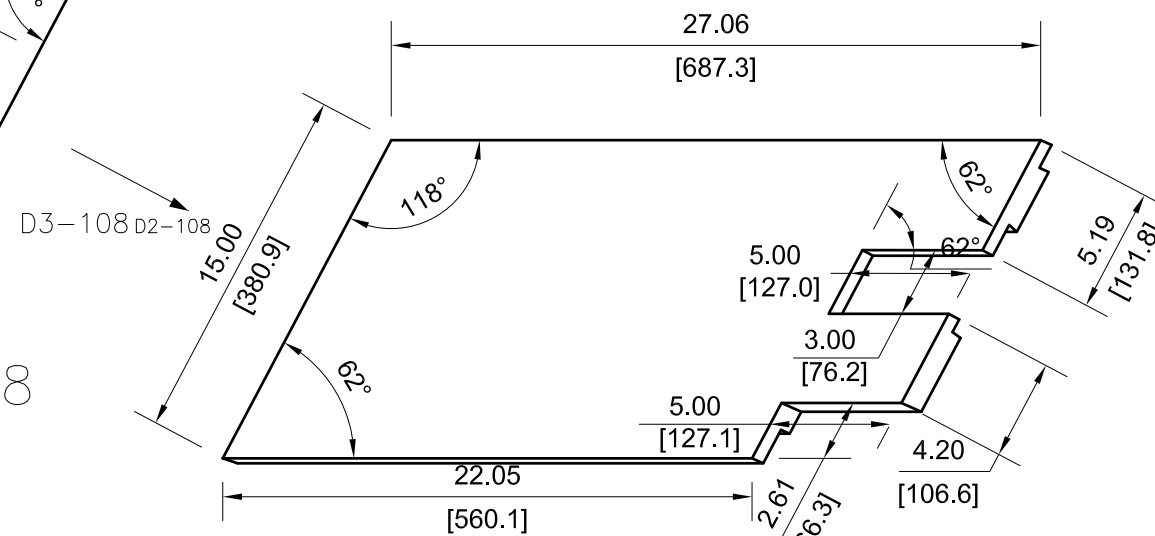
211



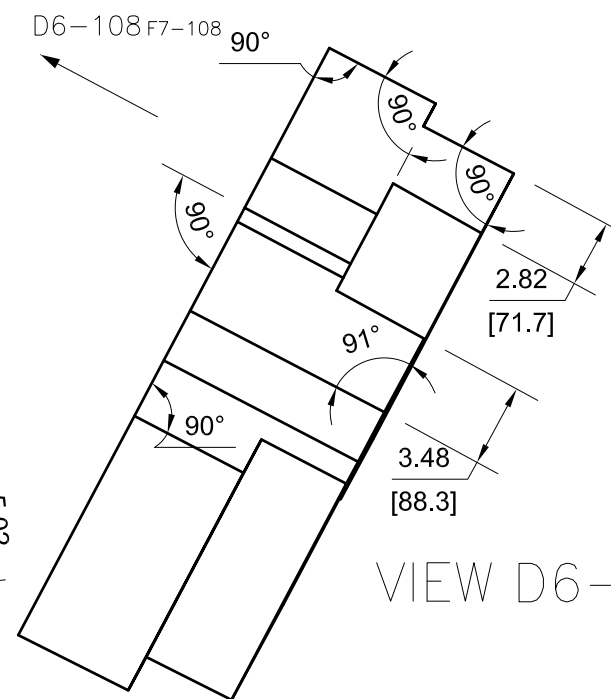
VIEW D3-108



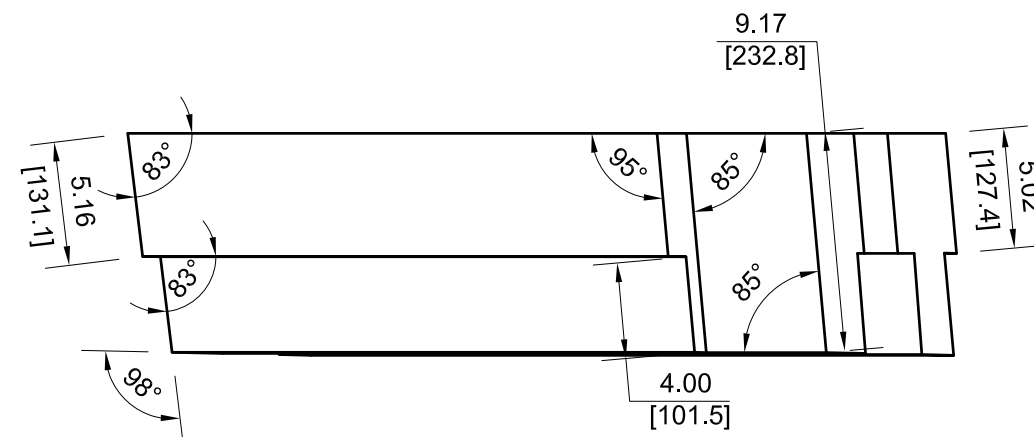
REAR VIEW RELATIVE TO VIEW D4-108



D3-108 D2-108

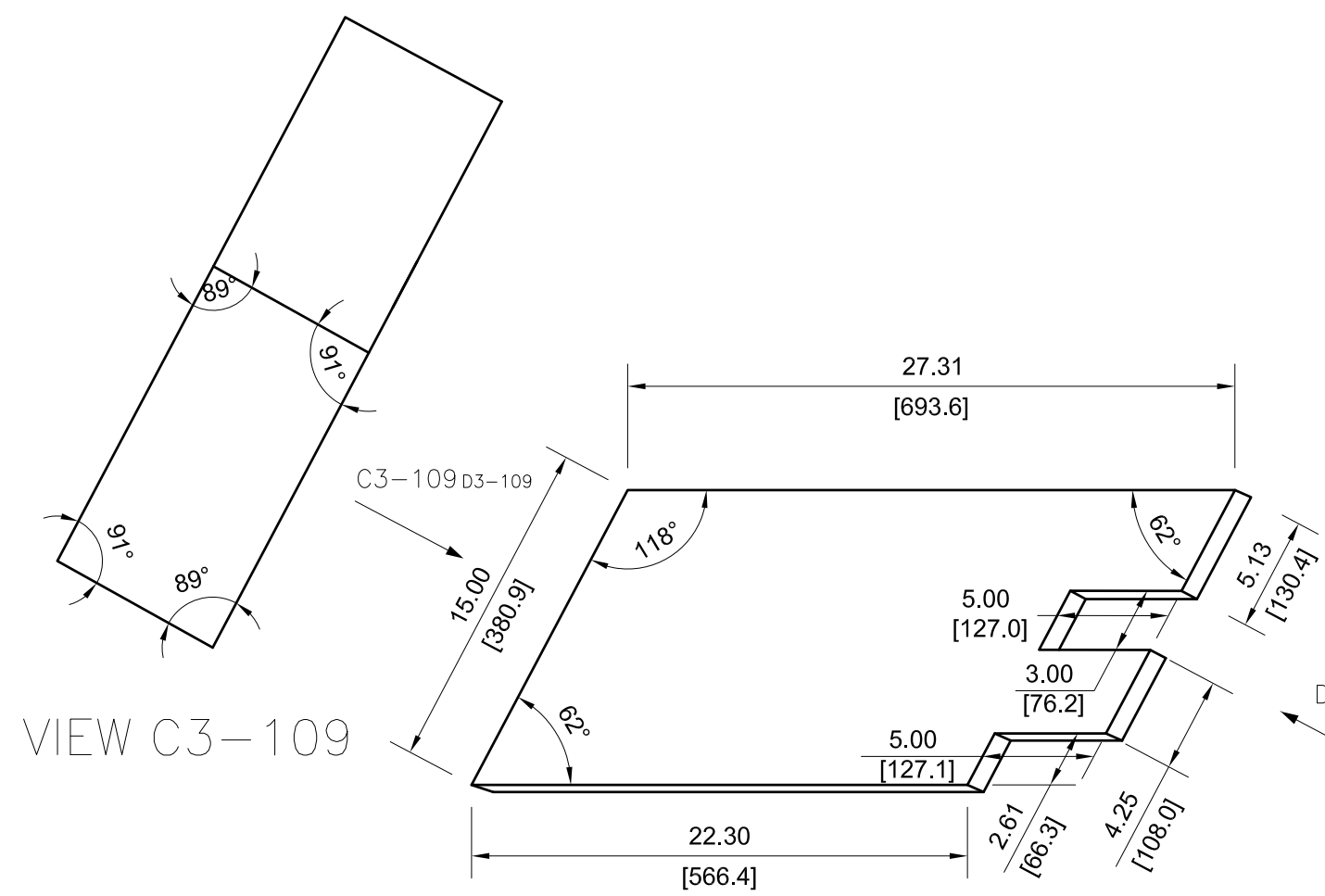
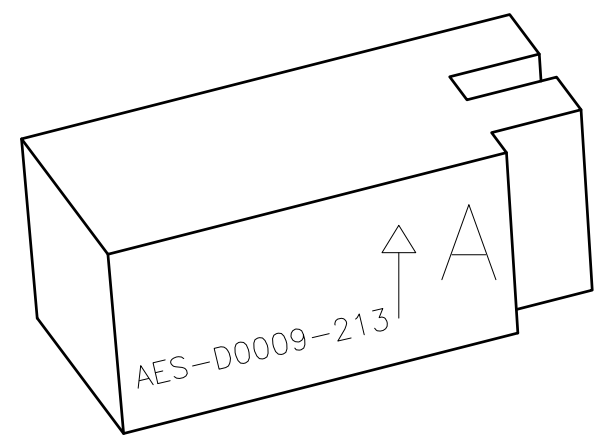


VIEW D6-108

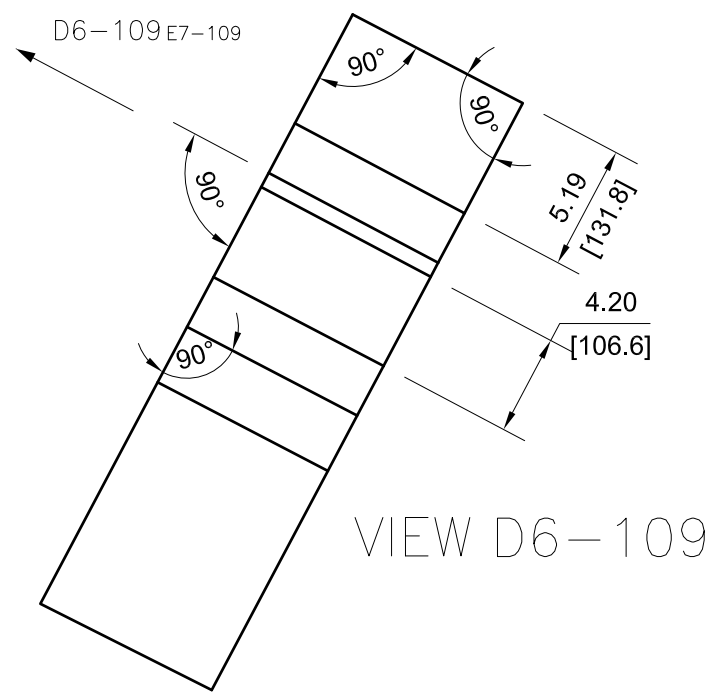


DRAWING NUMBER					AES-D0009	
SIZE	SCALE	SHEET	OF	REVISION		
A3	NONE	108	190	B		

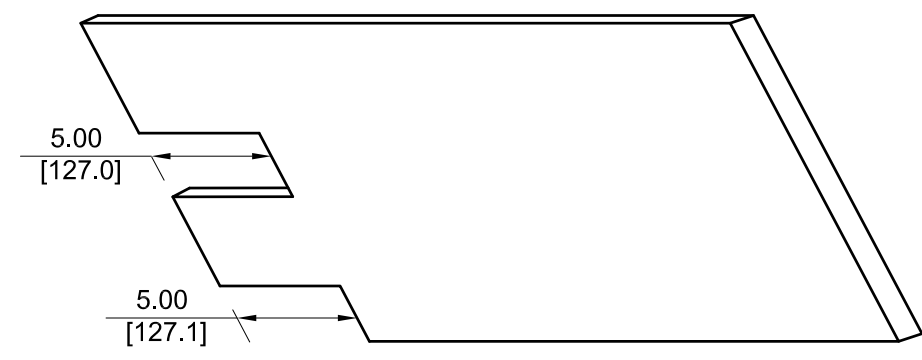
- 213



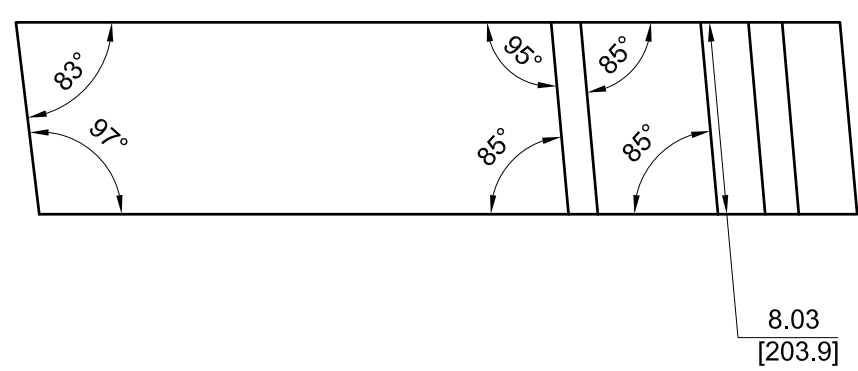
VIEW C3-109



VIEW D6-109

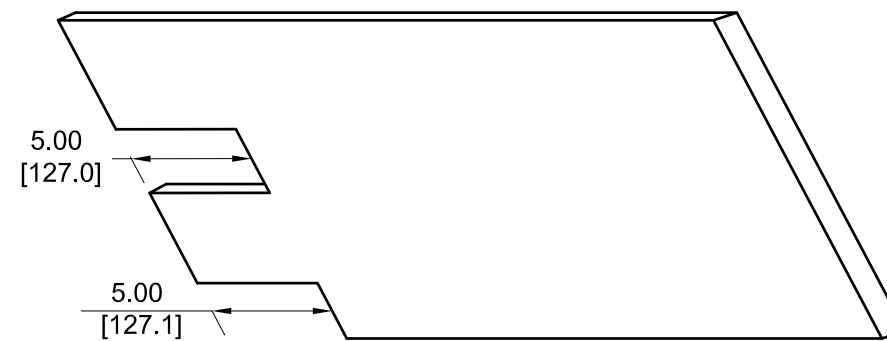
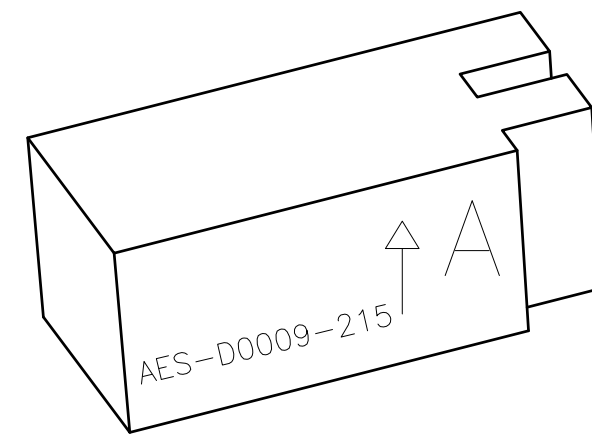


REAR VIEW RELATIVE TO VIEW D4-109

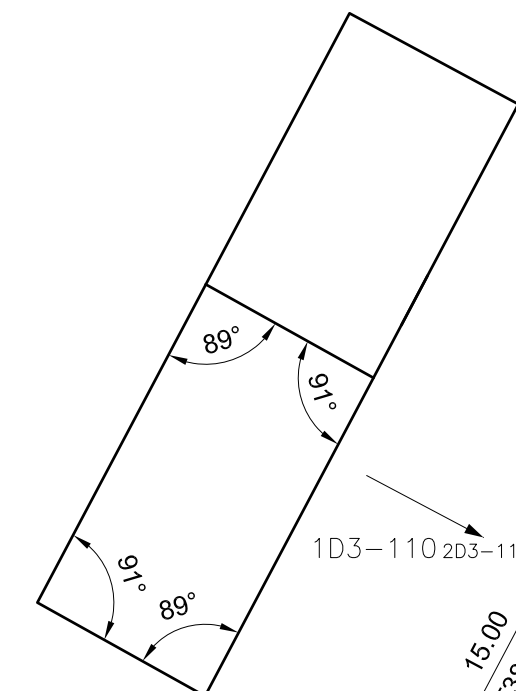


		DRAWING NUMBER			
		AES-D0009			
SIZE	SCALE	SHEET	OF	REVISION	
A3	NONE	109	190	B	

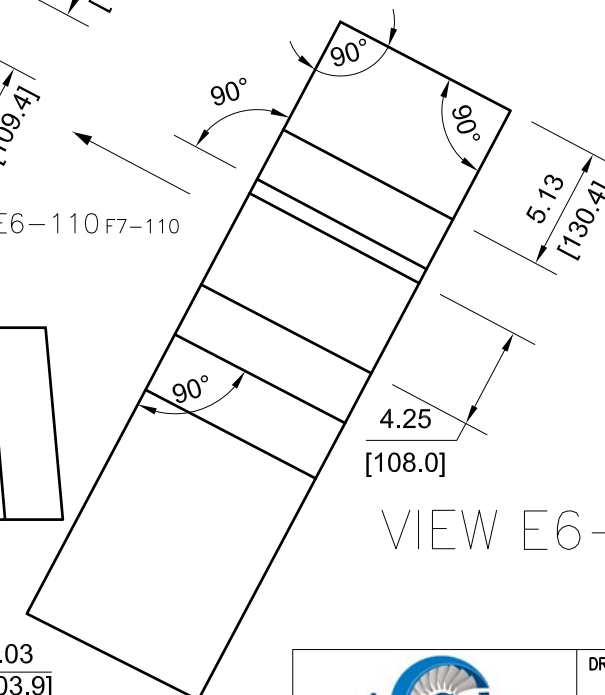
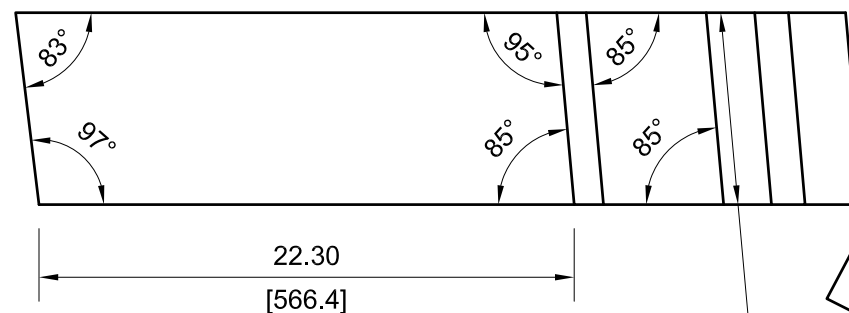
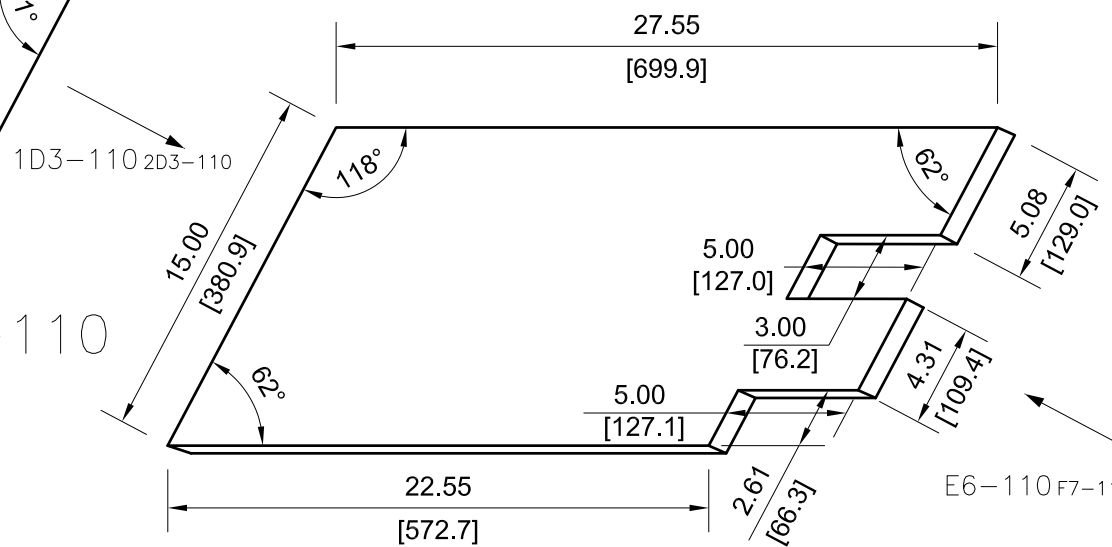
-215



REAR VIEW RELATIVE TO VIEW D5-110



VIEW 1D3-110

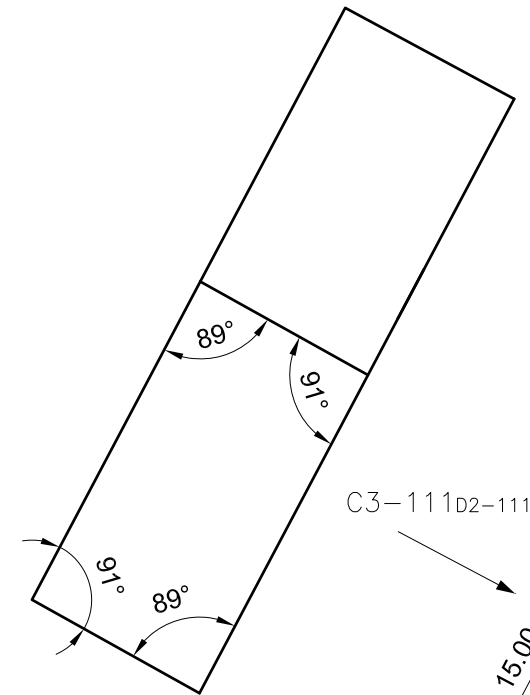
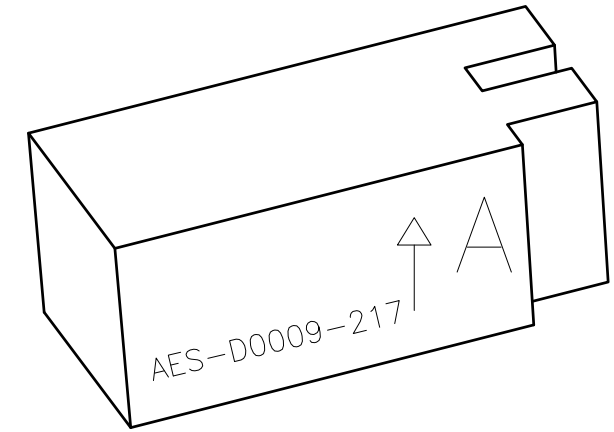


VIEW E6-110



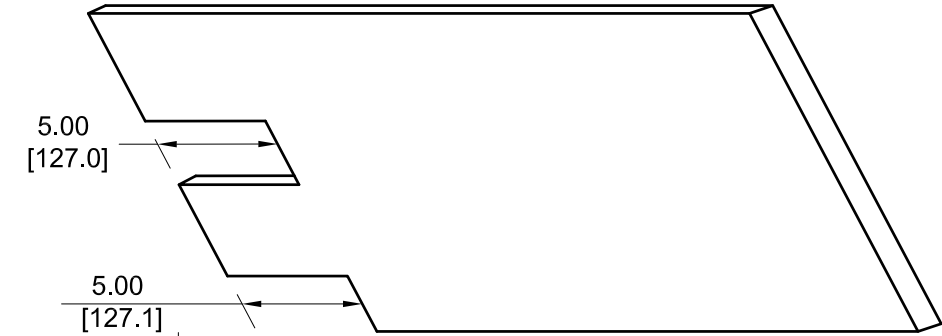
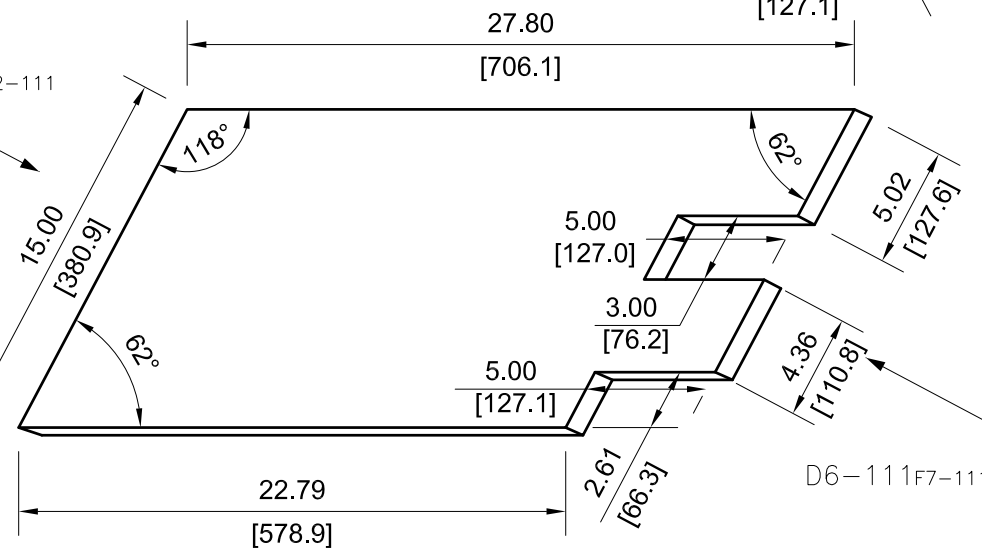
DRAWING NUMBER					AES-D0009	
SIZE	SCALE	SHEET	OF	REVISION		
A3	NONE	110	190	B		

- 217

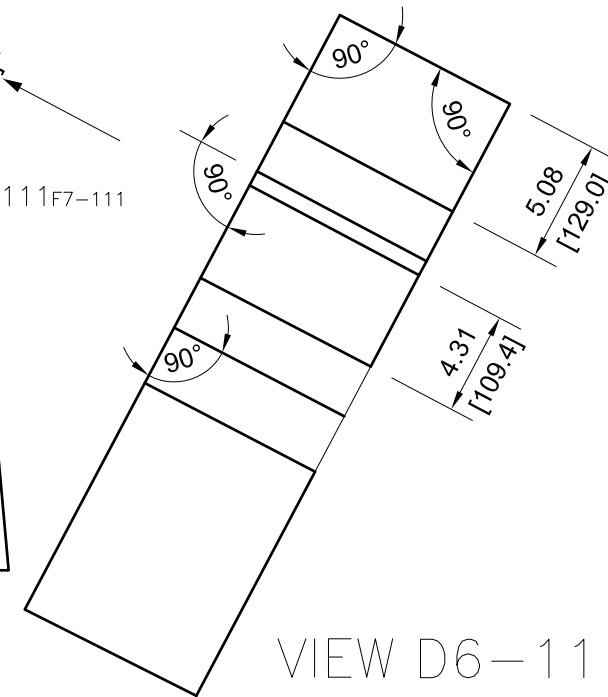
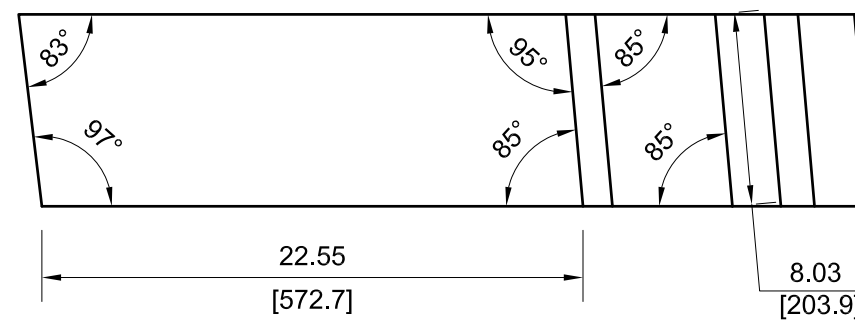


VIEW C3-111

C3-111D2-111



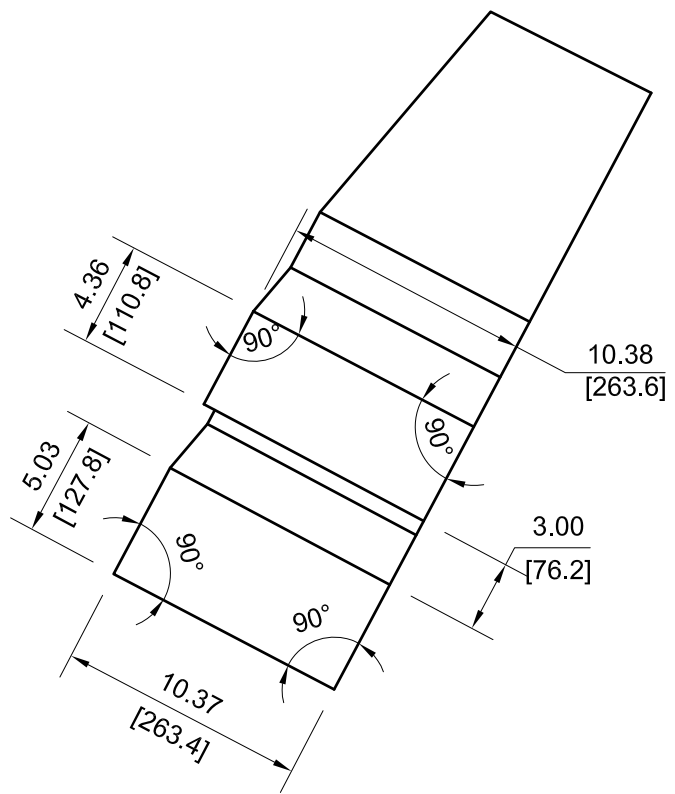
REAR VIEW RELATIVE TO VIEW D4-111



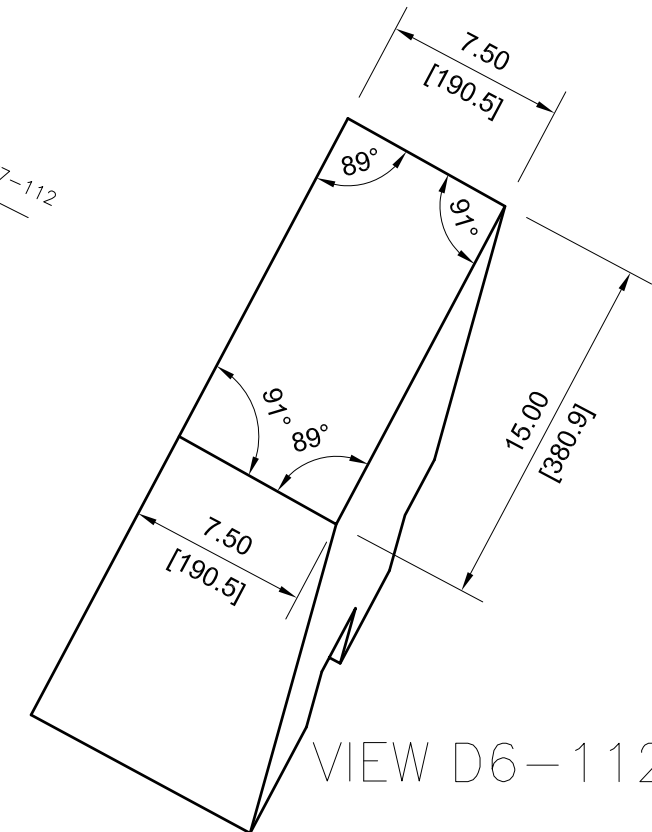
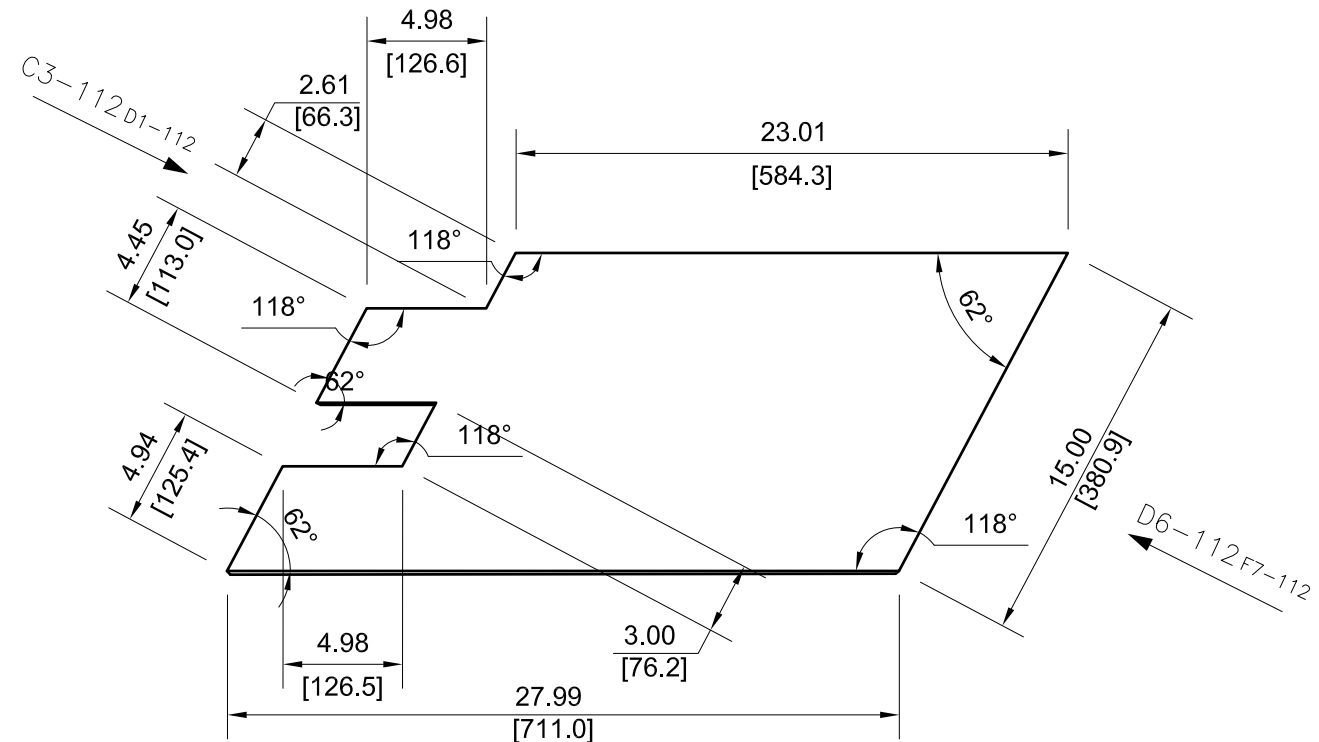
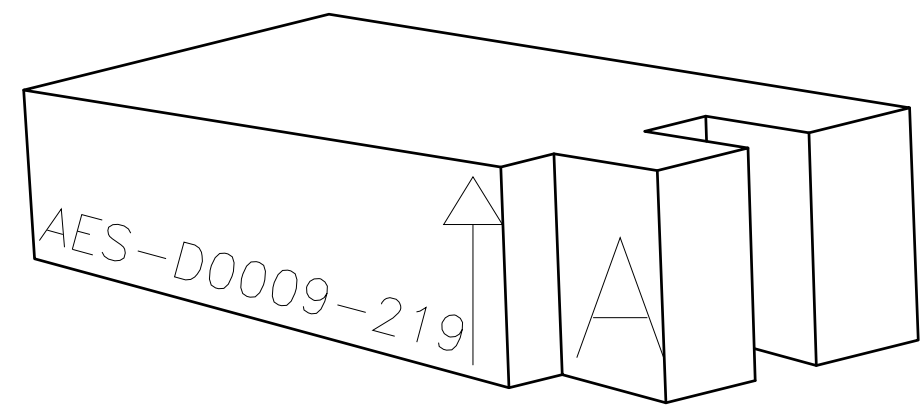
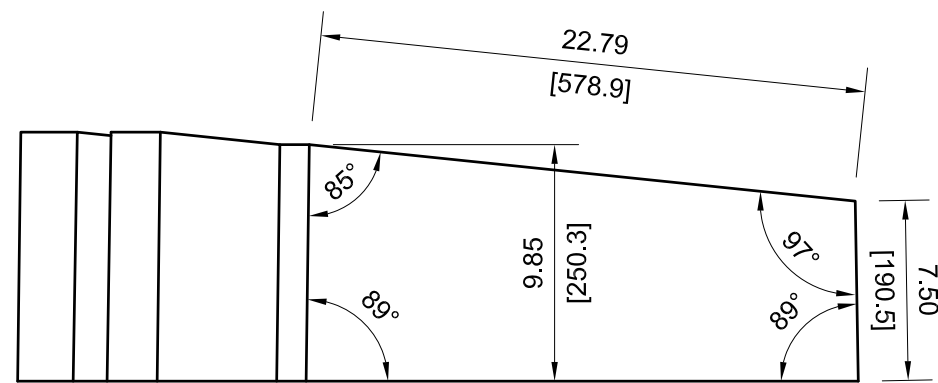
VIEW D6-111



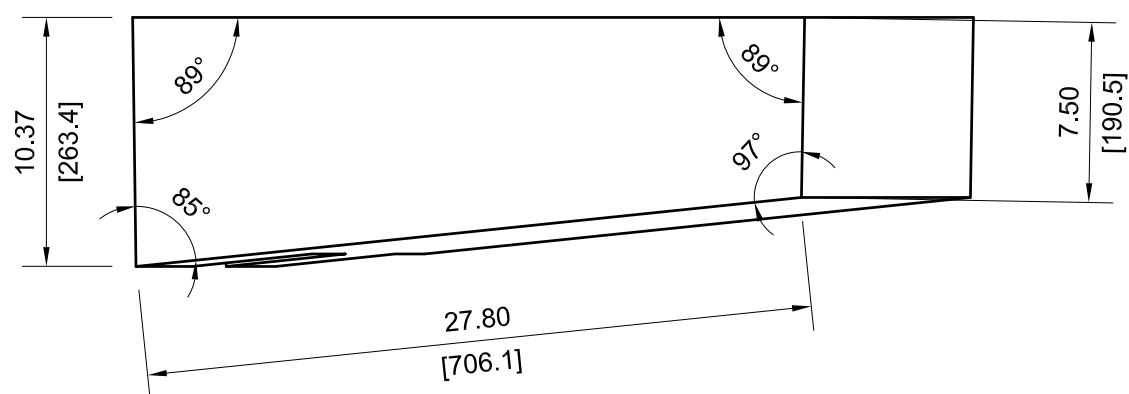
DRAWING NUMBER					AES-D0009	
SIZE	SCALE	SHEET	OF	REVISION		
A3	NONE	111	190	B		



VIEW C3-112



VIEW D6-112

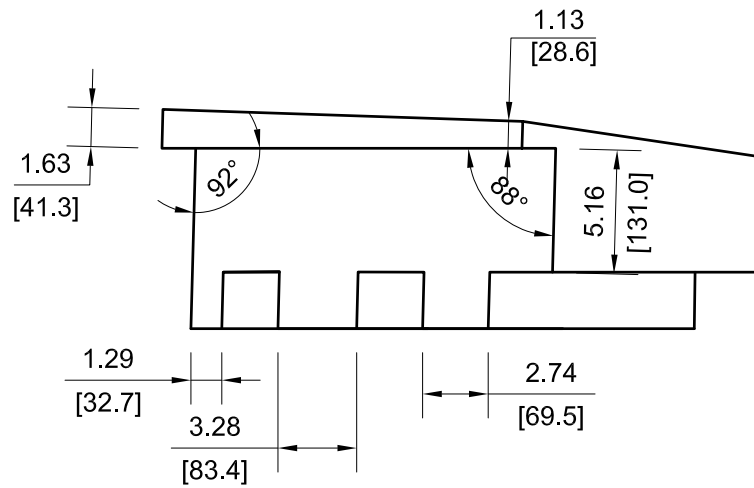


219

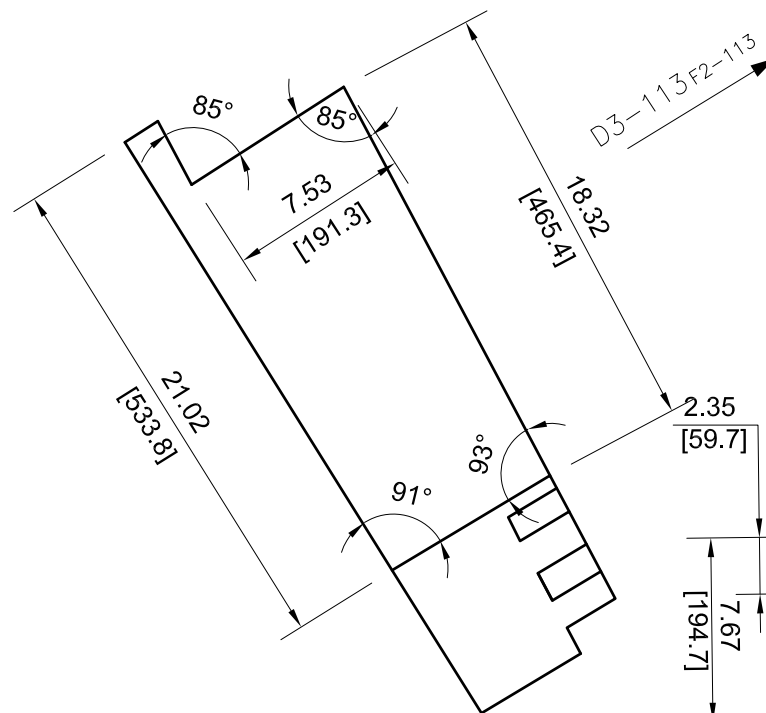
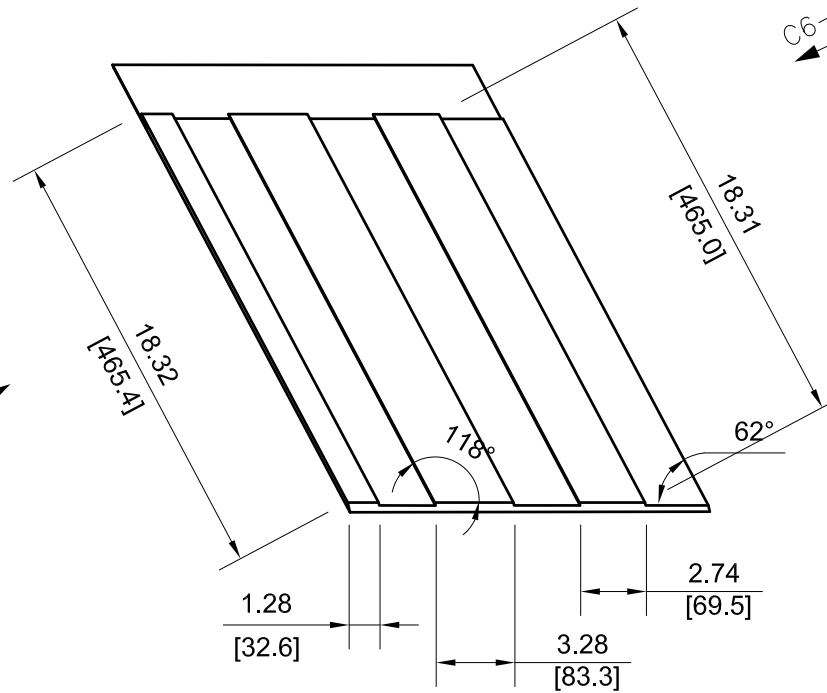
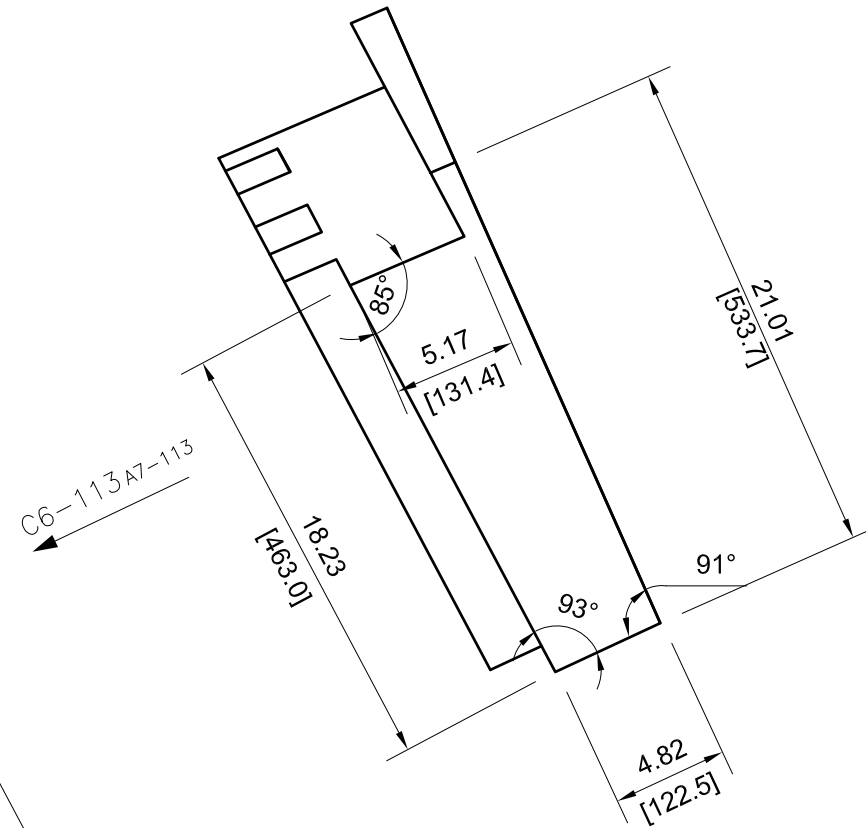


DRAWING NUMBER				
AES-D0009				
SIZE	SCALE	SHEET	OF	REVISION
A3	NONE	112	190	B

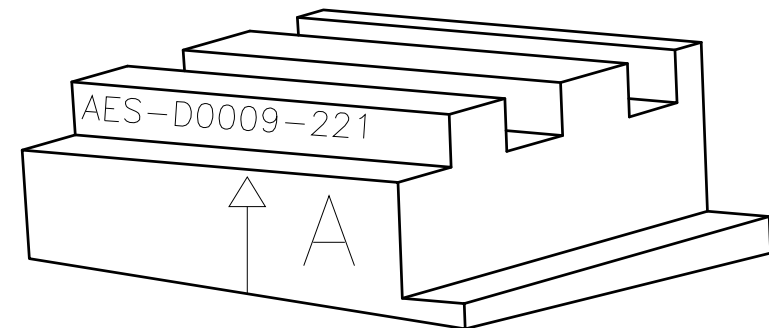
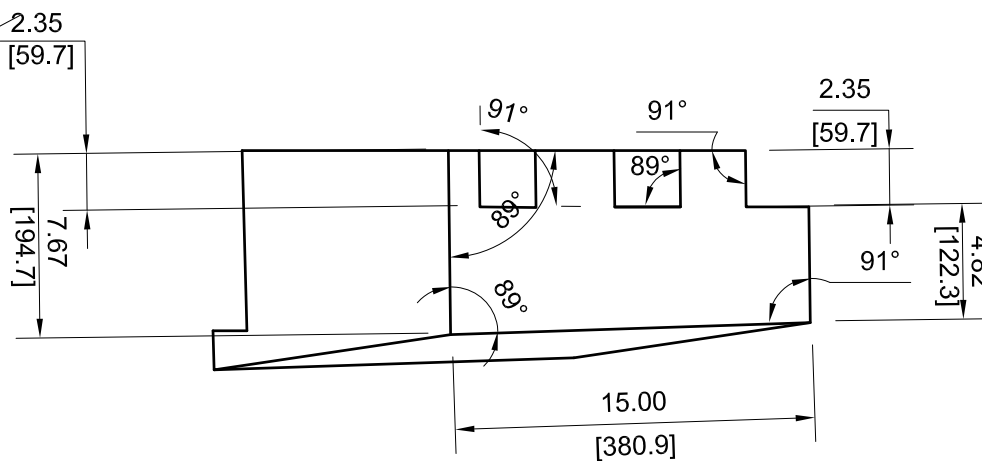
221



VIEW C6-113

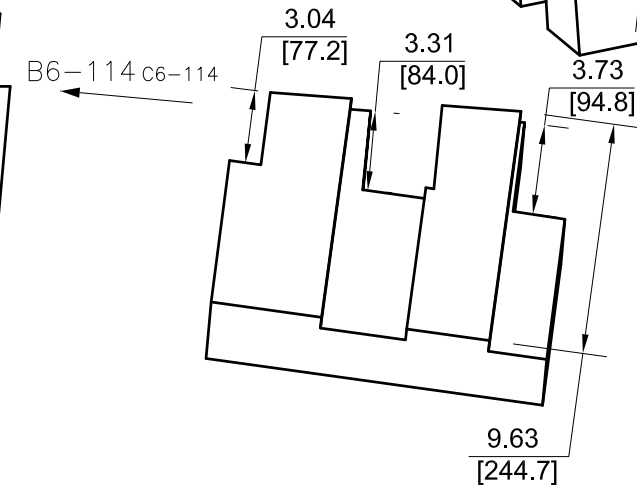
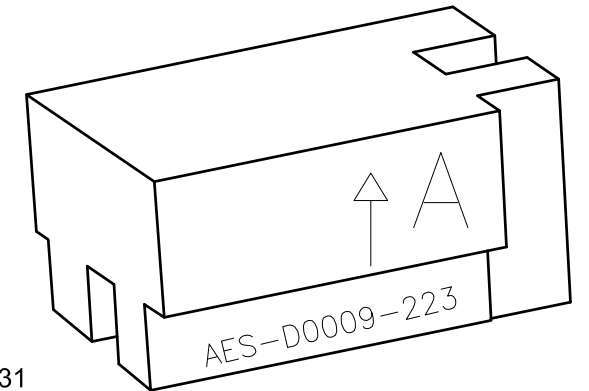


VIEW D3-113

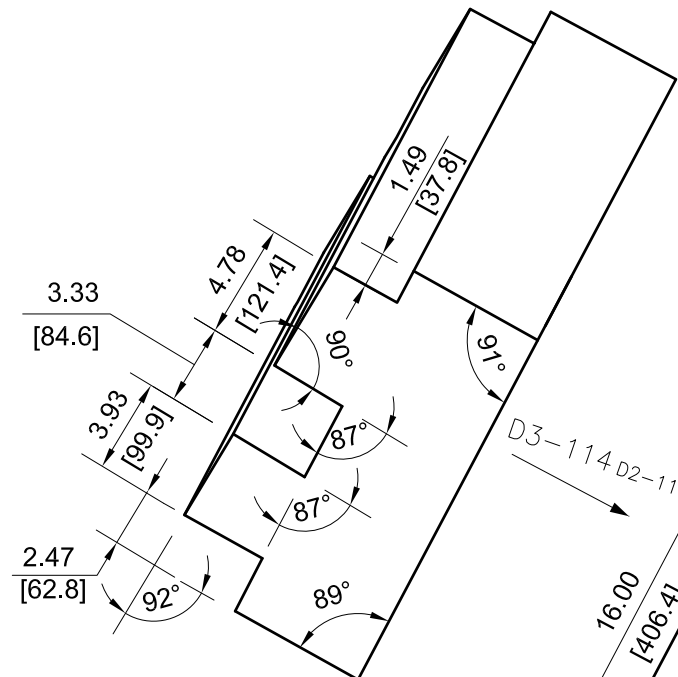


DRAWING NUMBER					AES-D0009	
SIZE	SCALE	SHEET	OF	REVISION		
A3	NONE	113	190	B		

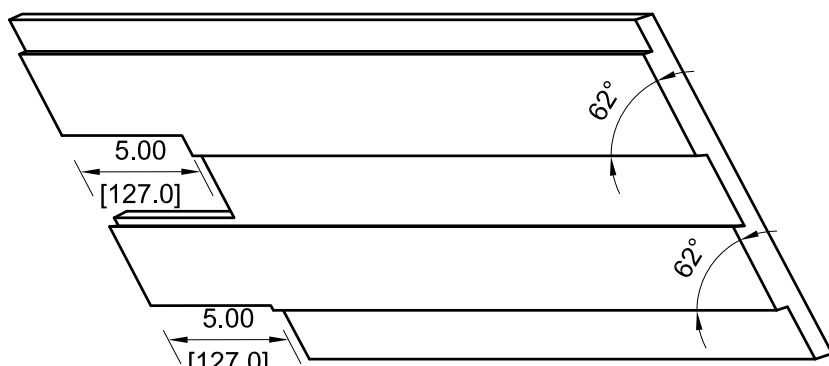
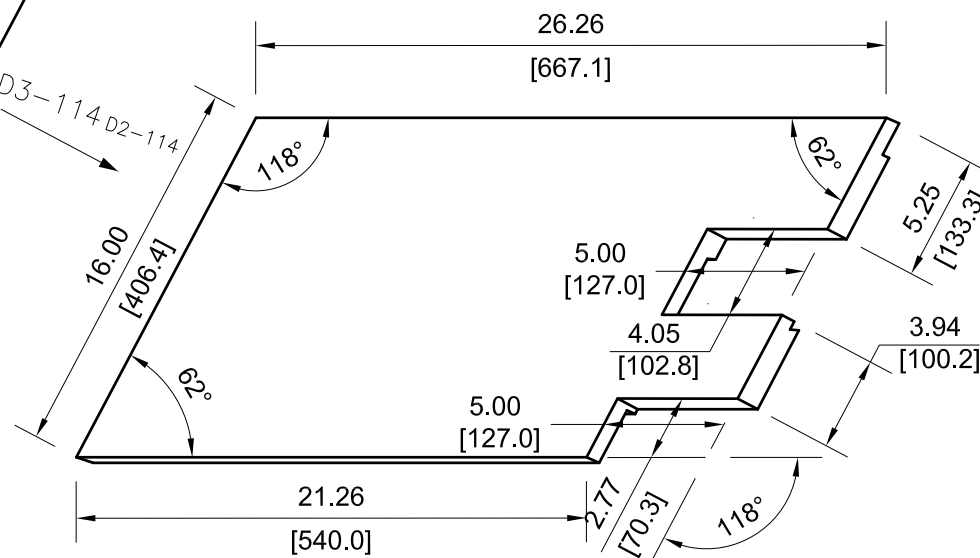
223



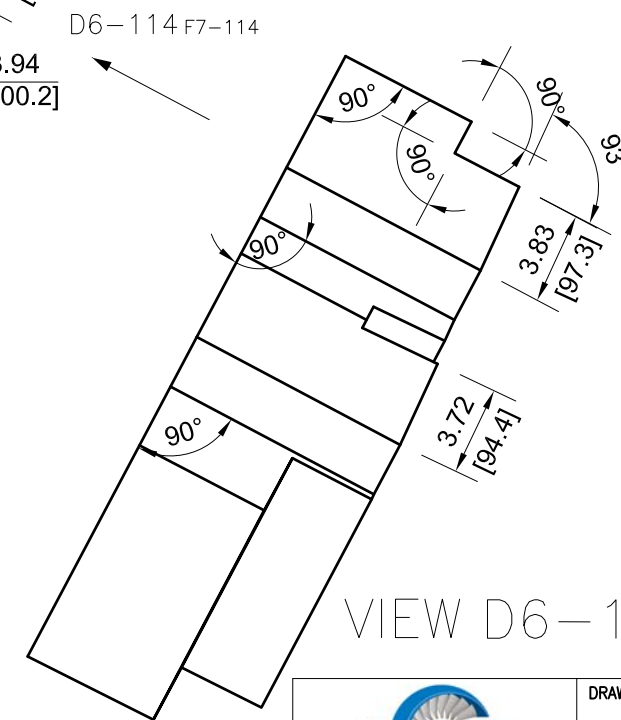
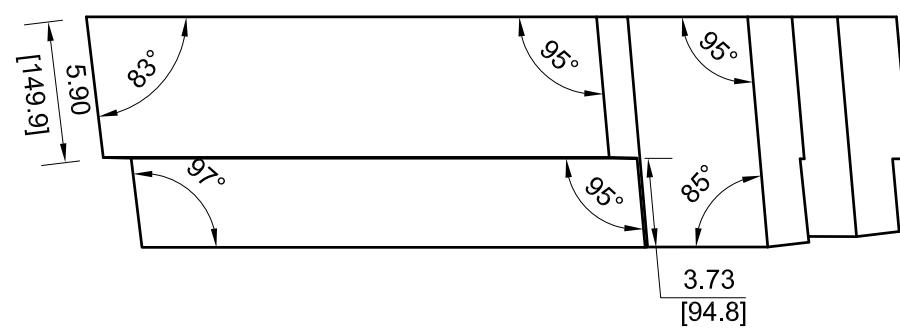
VIEW B6-114



VIEW D3-114



REAR VIEW RELATIVE TO VIEW D4-114

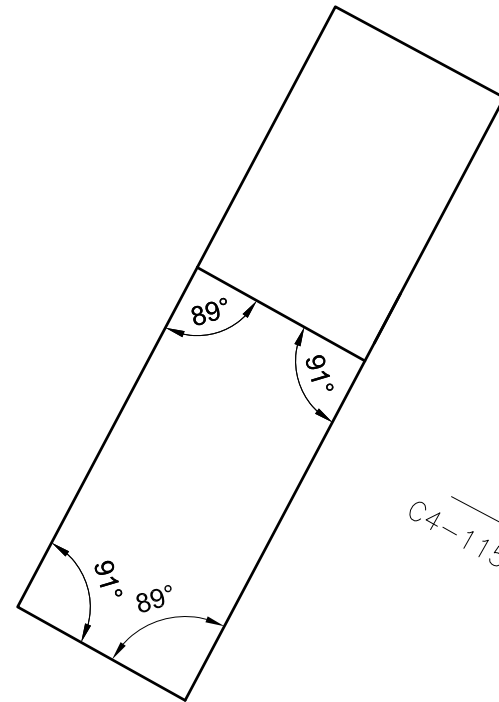
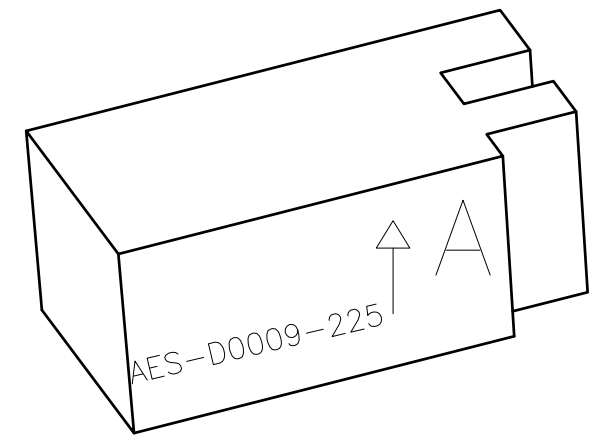


VIEW D6-114

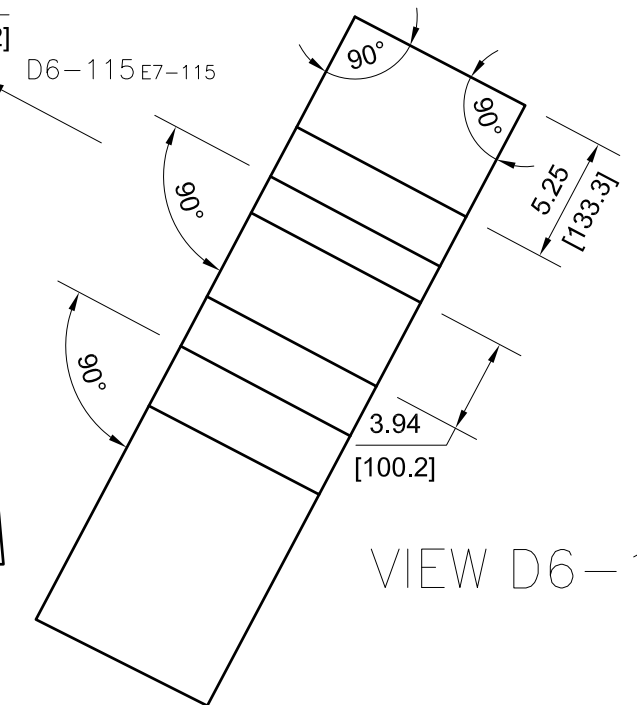
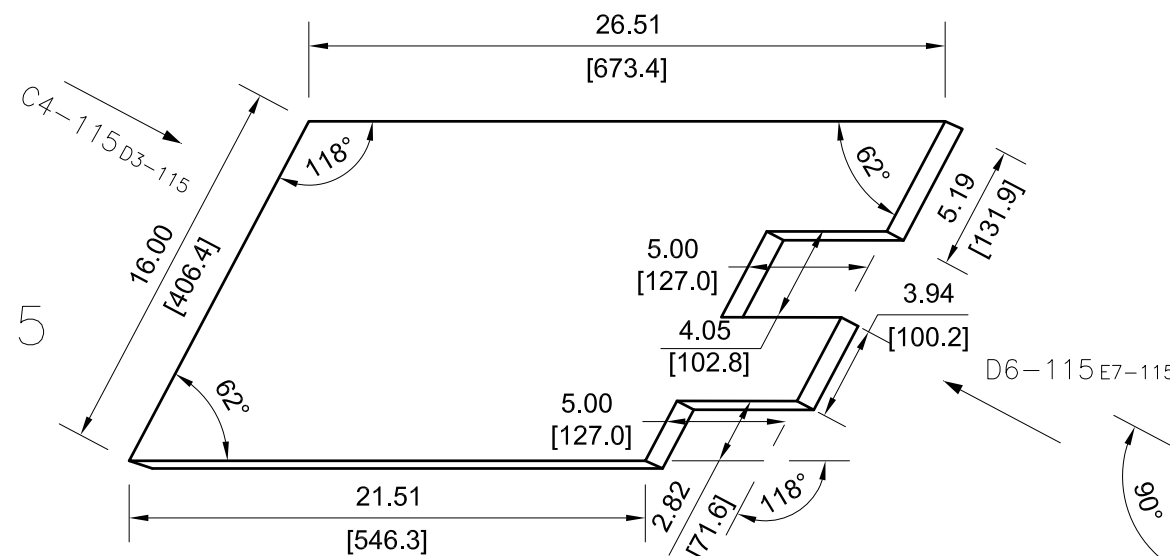


DRAWING NUMBER				
AES-D0009				
SIZE	SCALE	SHEET	OF	REVISION
A3	NONE	114	190	B

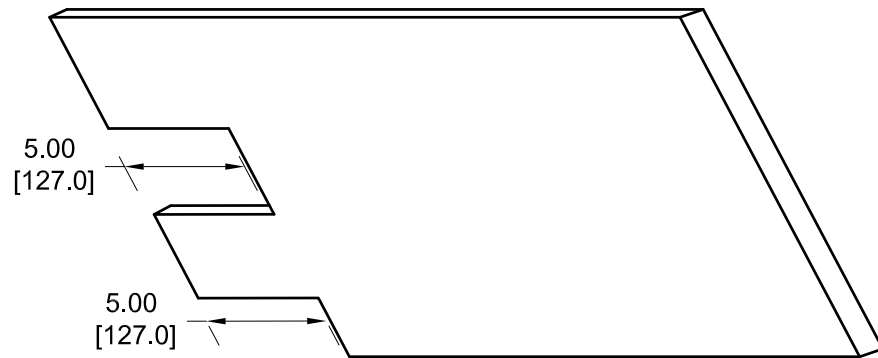
- 225



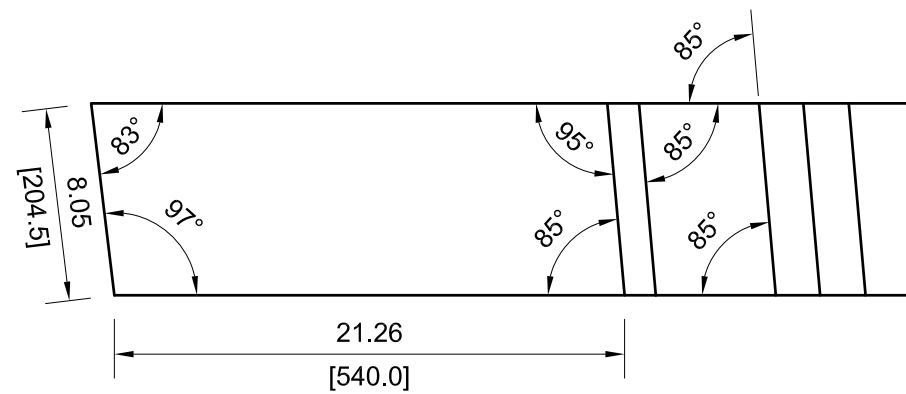
VIEW C4-115



VIEW D6-115

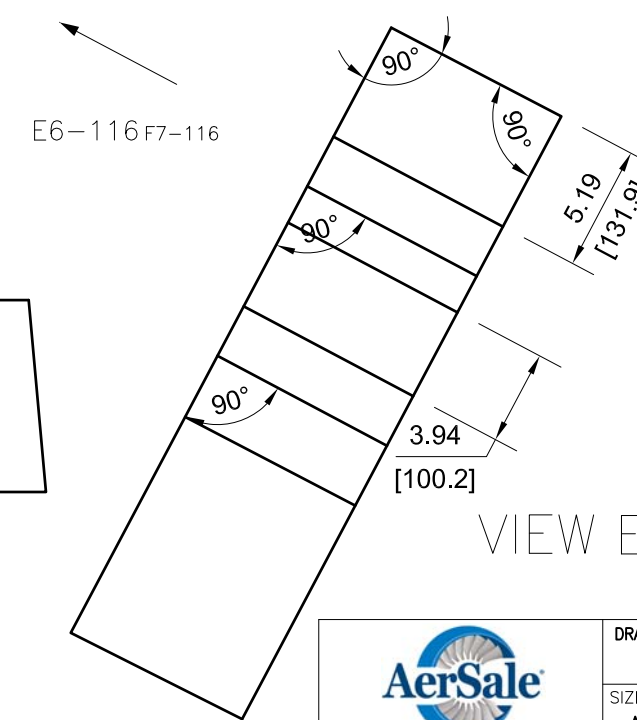
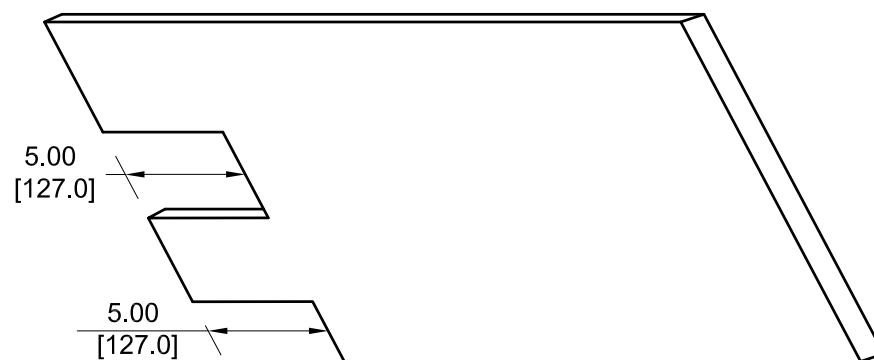
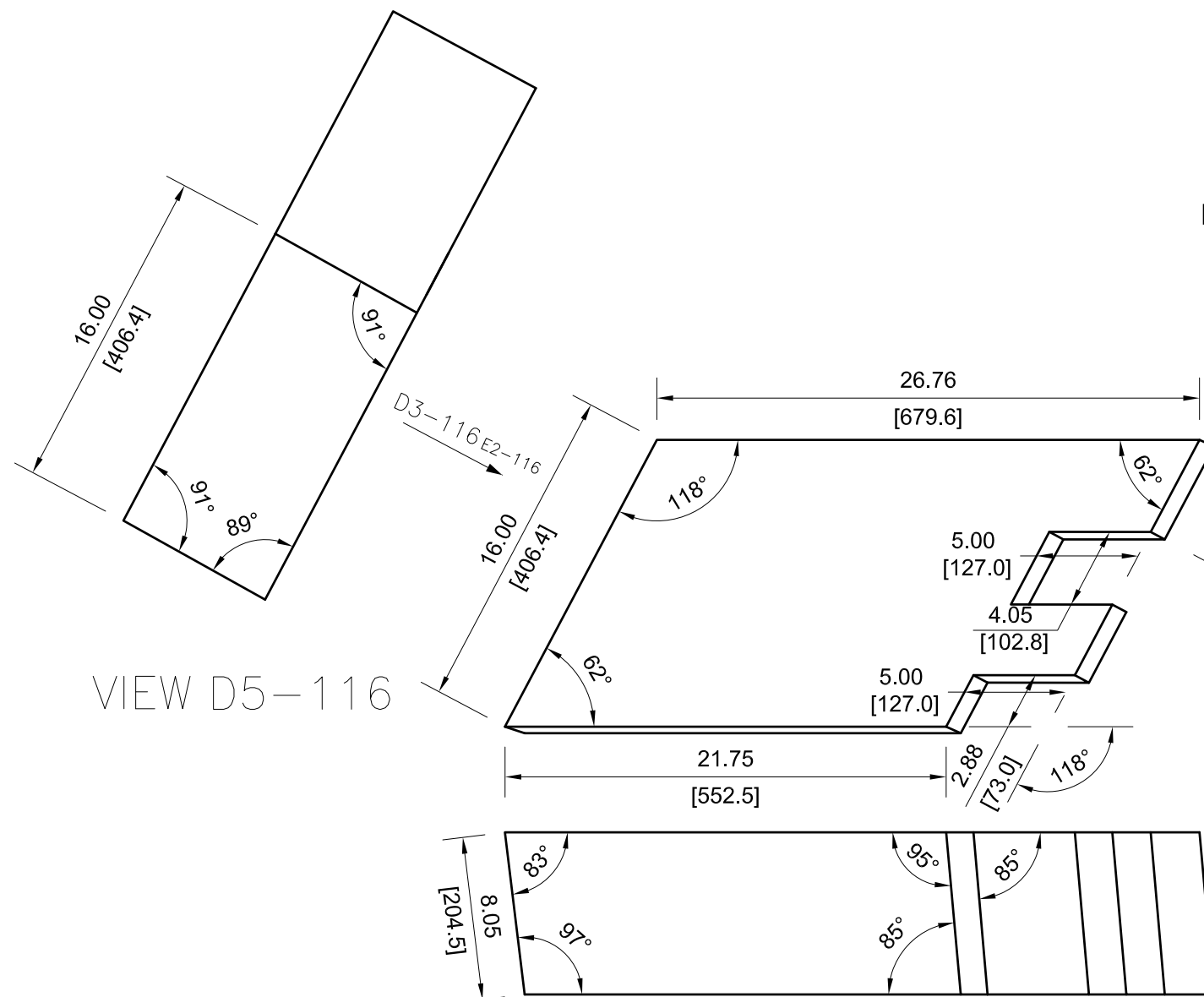
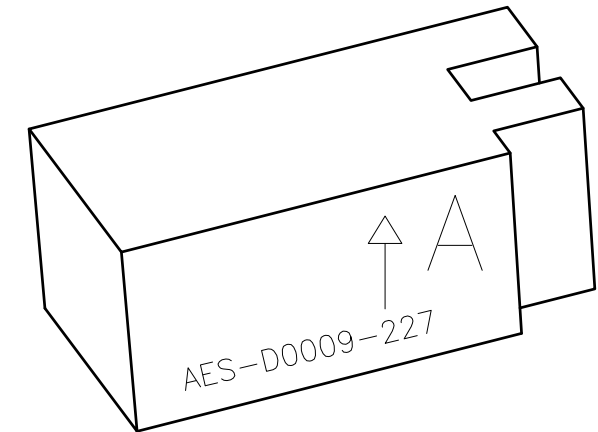



REAR VIEW RELATIVE TO VIEW D5-115



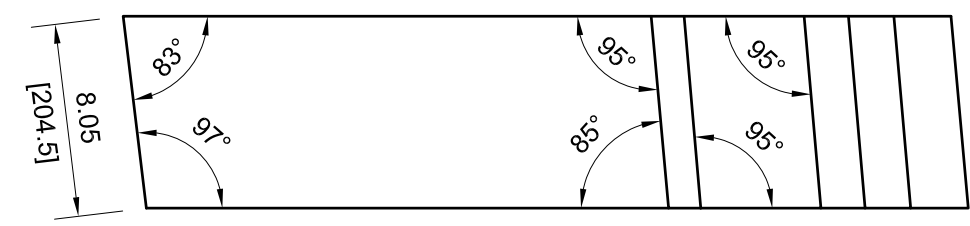
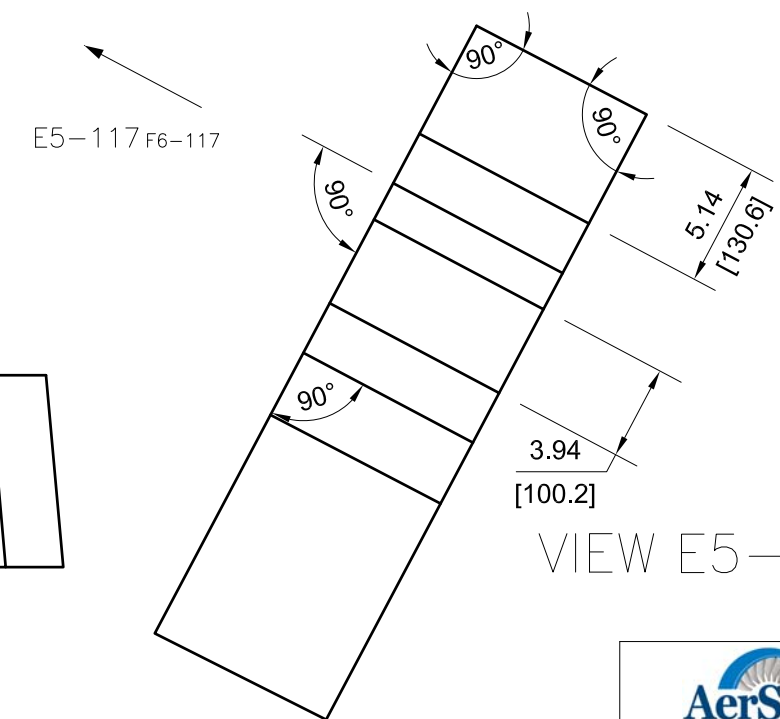
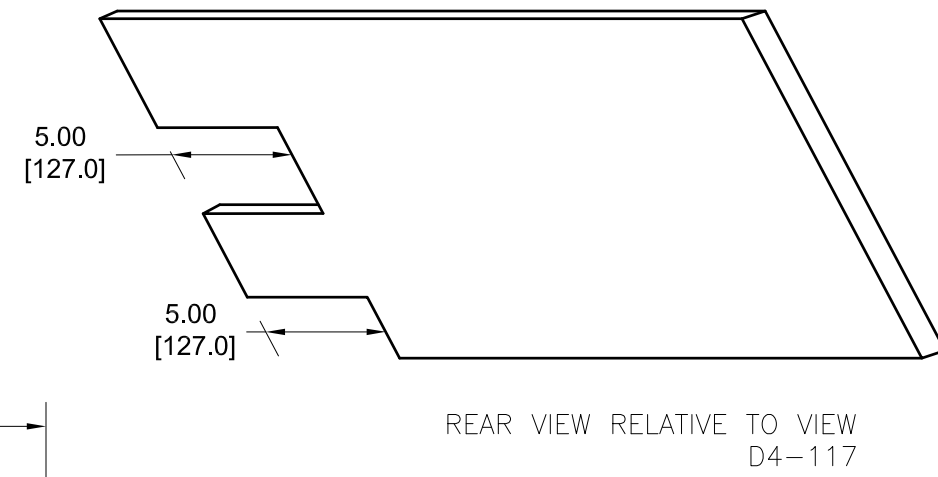
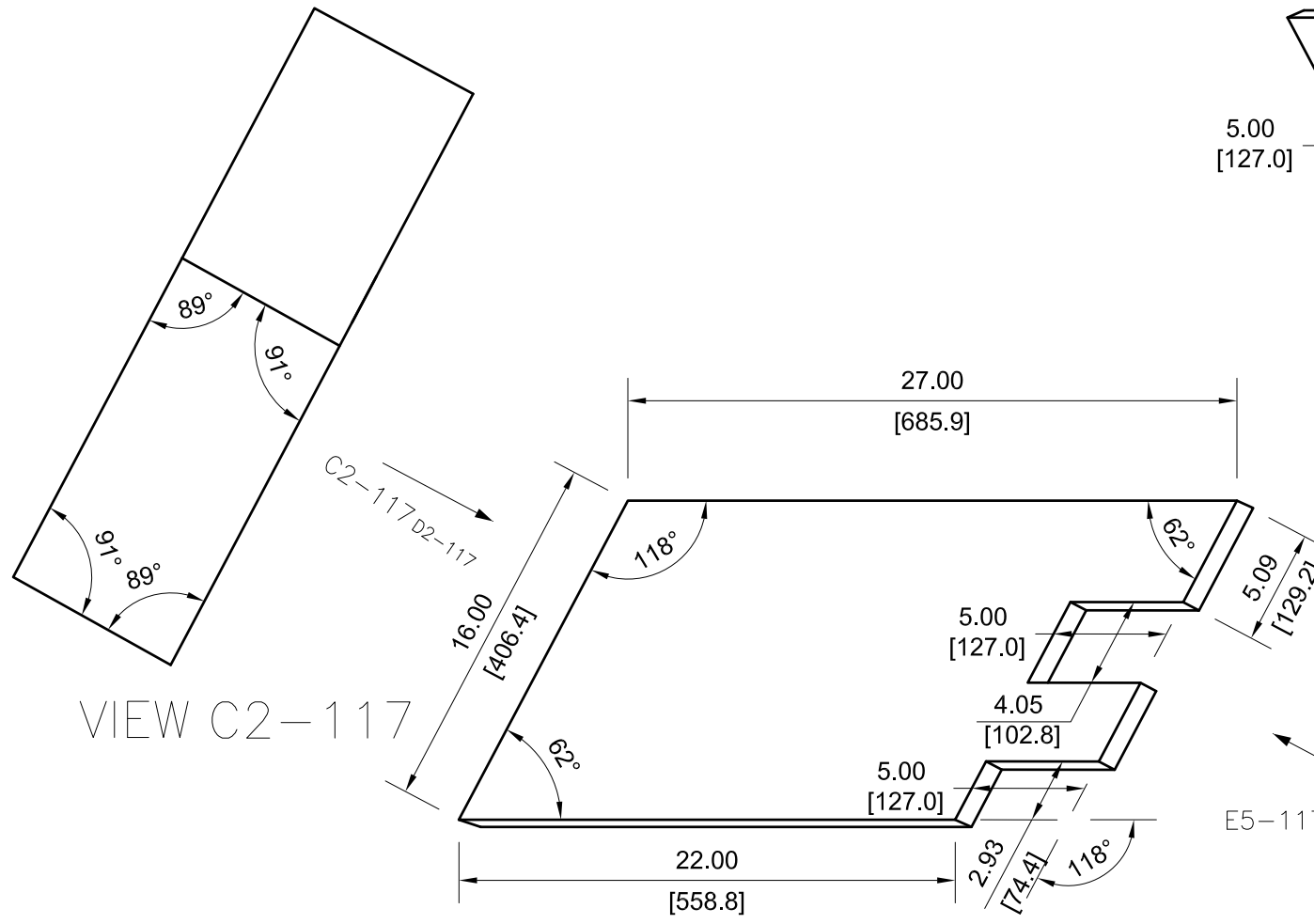
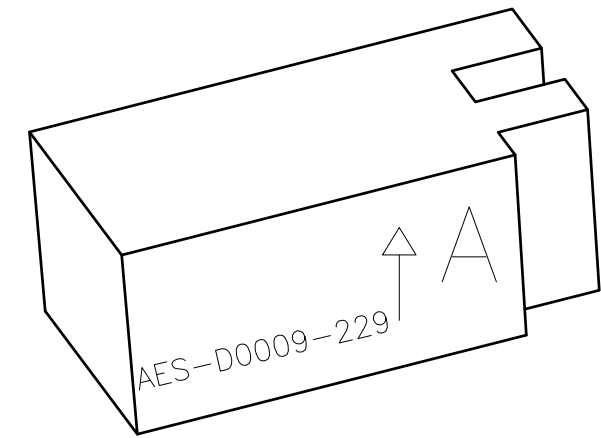
		DRAWING NUMBER			
		AES-D0009			
SIZE	SCALE	SHEET	OF	REVISION	
A3	NONE	115	190	B	

— 227

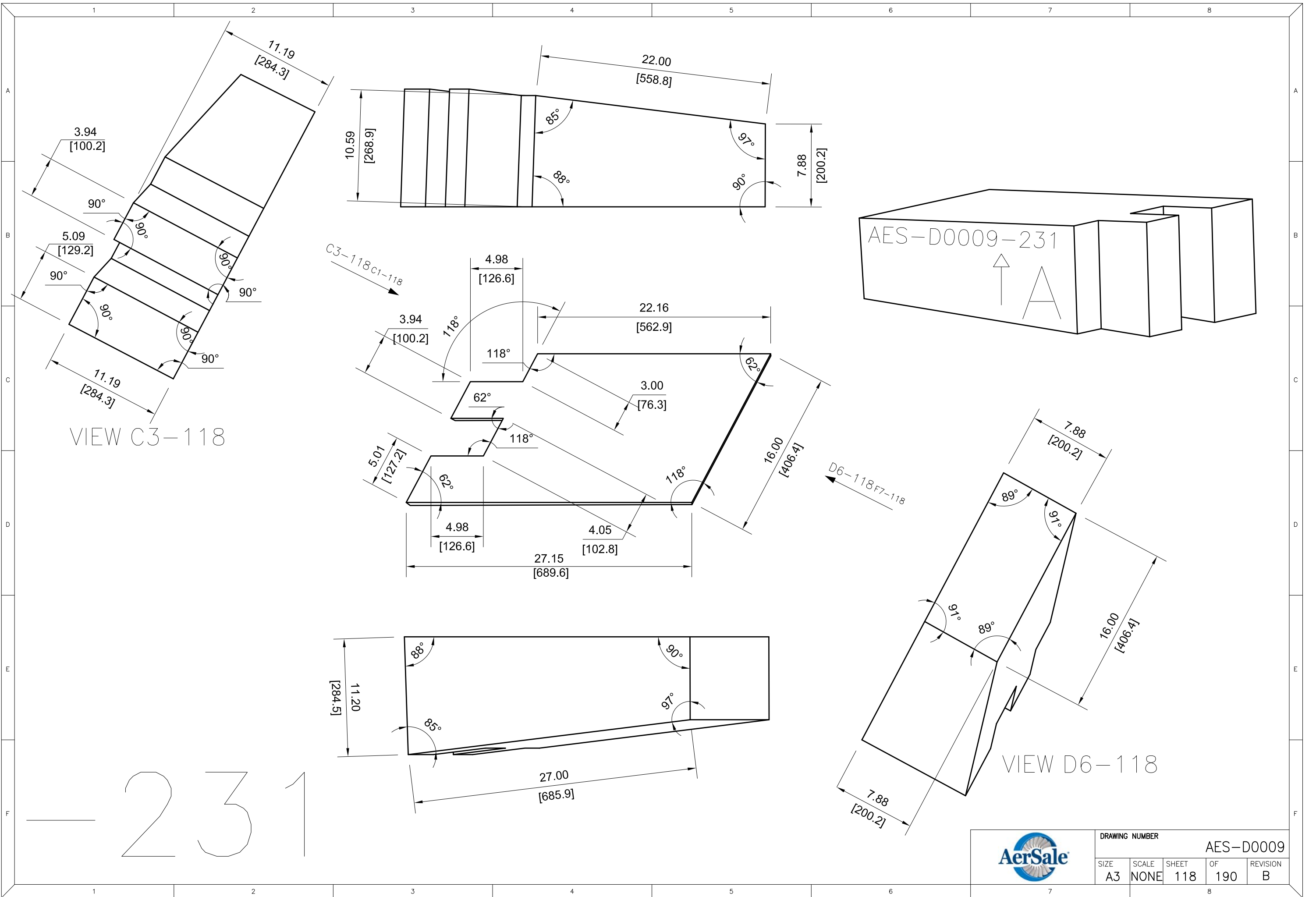


		DRAWING NUMBER			
		AES-D0009			
SIZE	SCALE	SHEET	OF	REVISION	
A3	NONE	116	190	B	

— 229

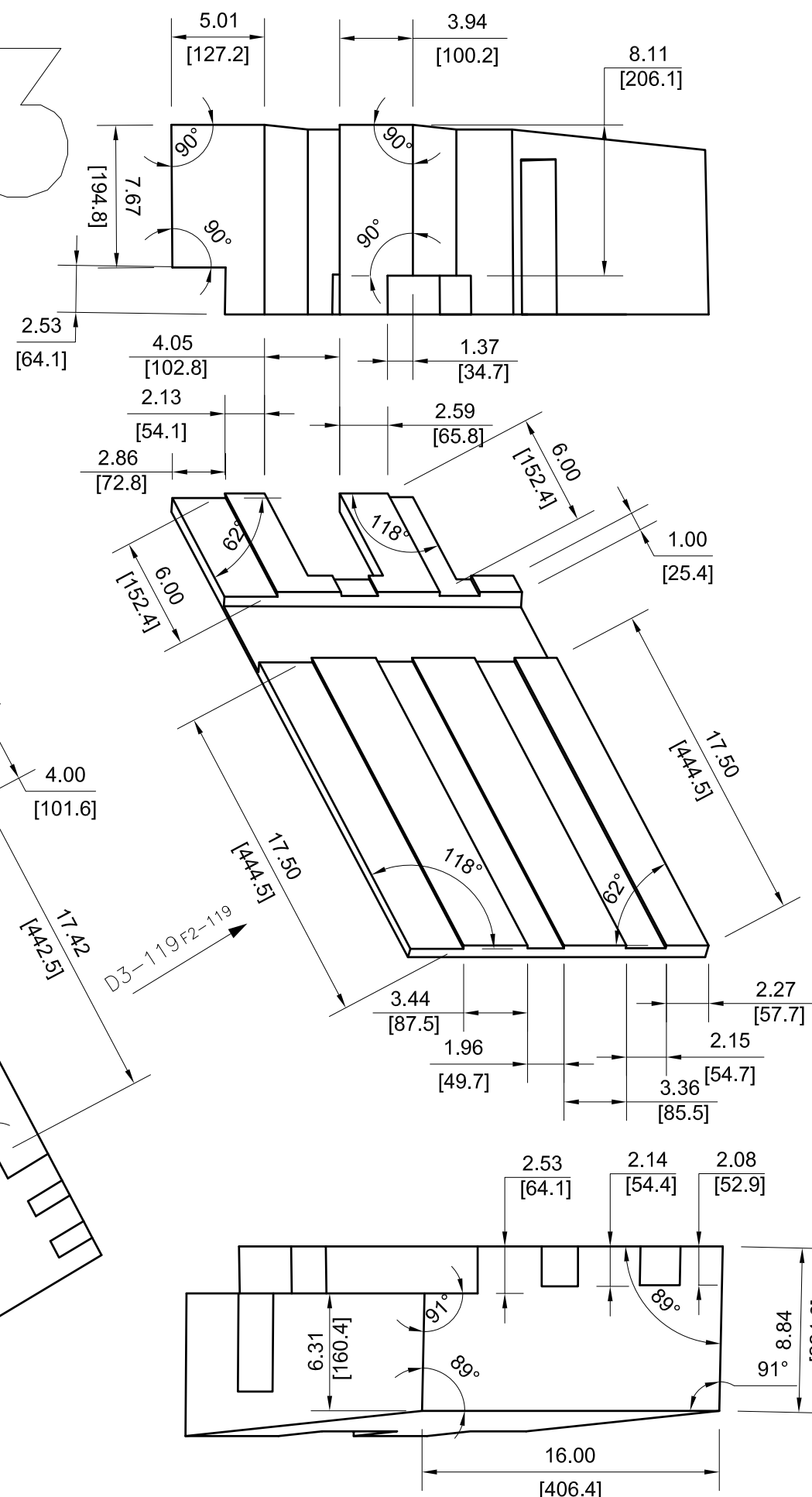


		DRAWING NUMBER			
		AES-D0009			
SIZE	SCALE	SHEET	OF	REVISION	
A3	NONE	117	190	B	

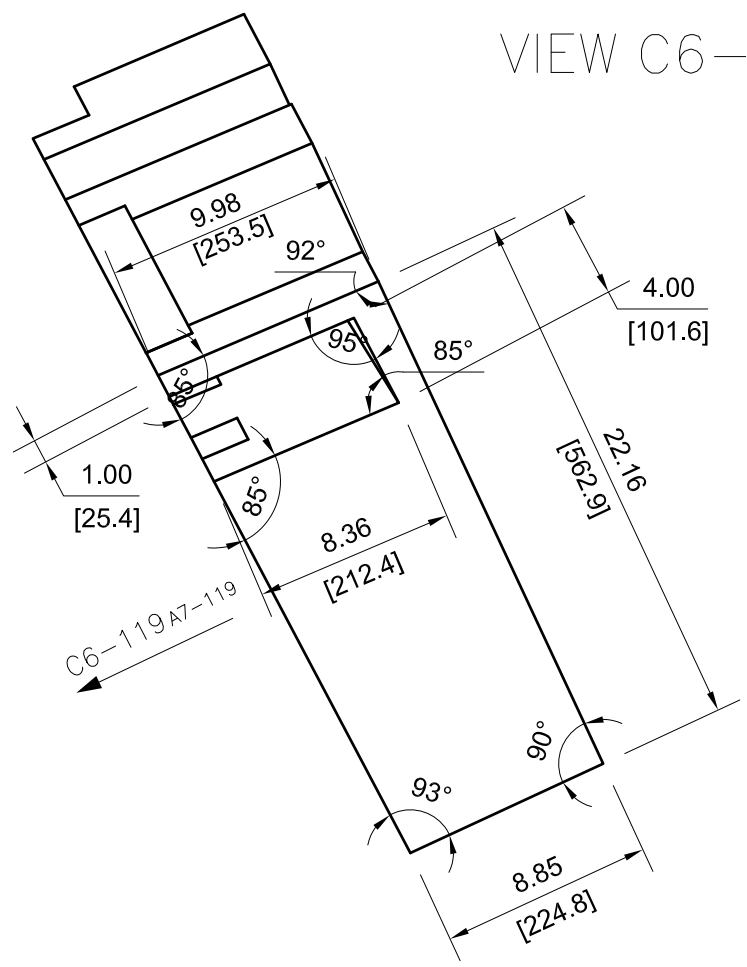


DRAWING NUMBER					AES-D0009				
SIZE	SCALE	SHEET	OF	REVISION					
A3	NONE	118	190	B					

233



VIEW C6-119

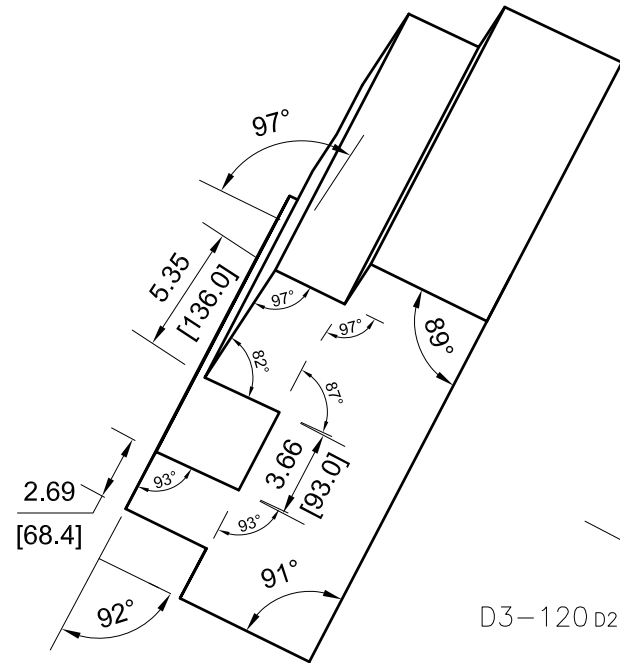
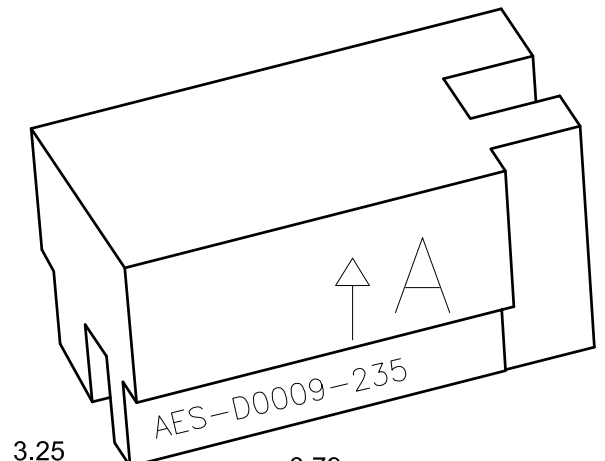


VIEW D3-119

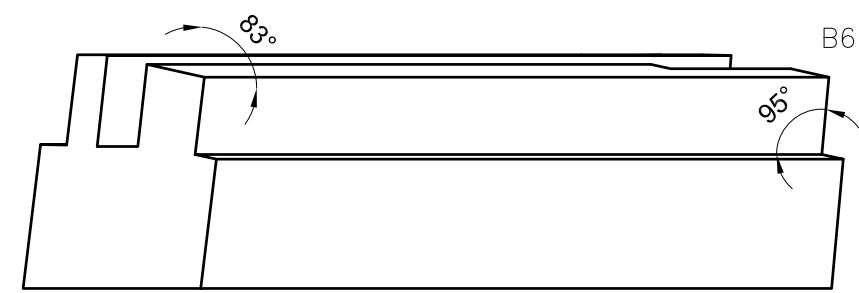


DRAWING NUMBER				
AES-D0009				
SIZE	SCALE	SHEET	OF	REVISION
A3	NONE	119	190	B

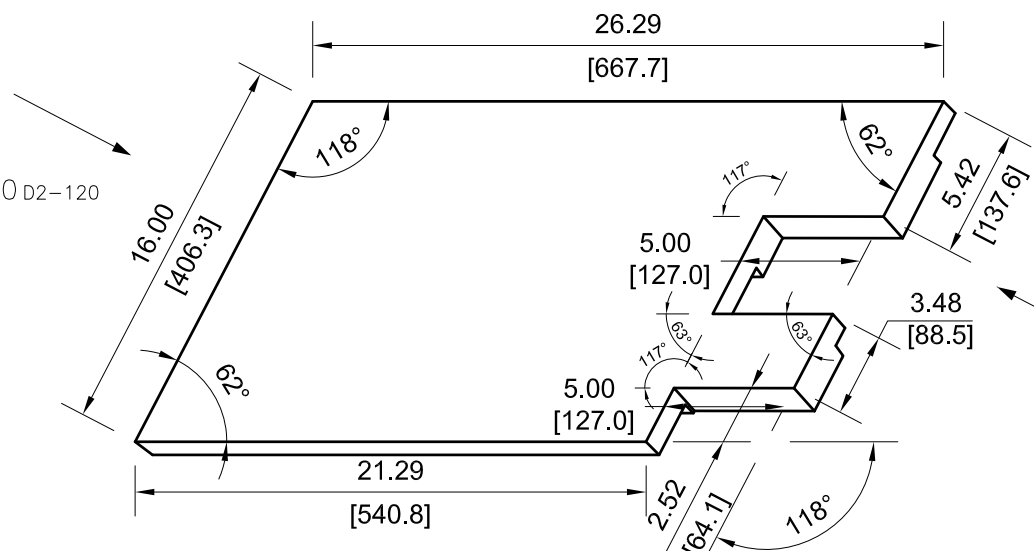
- 235



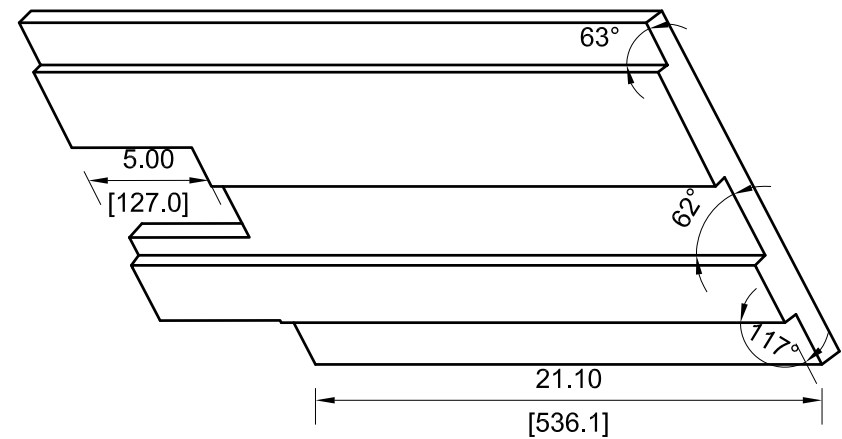
VIEW D3-120



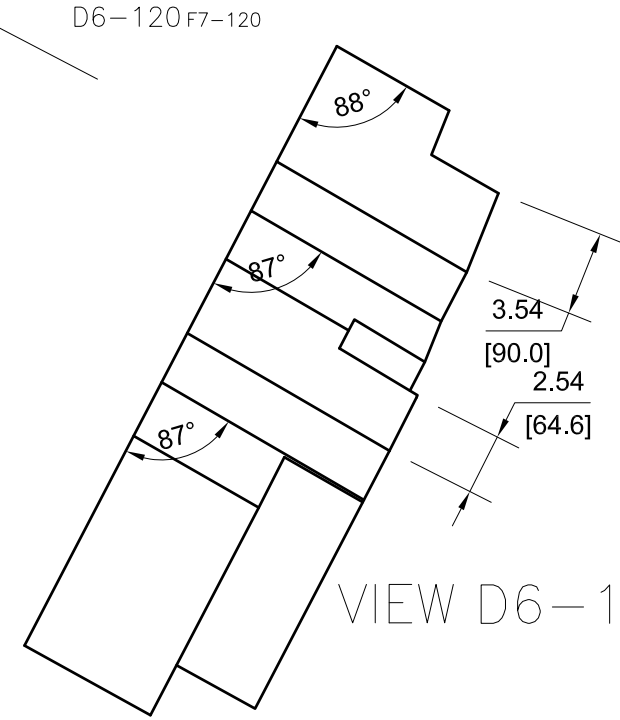
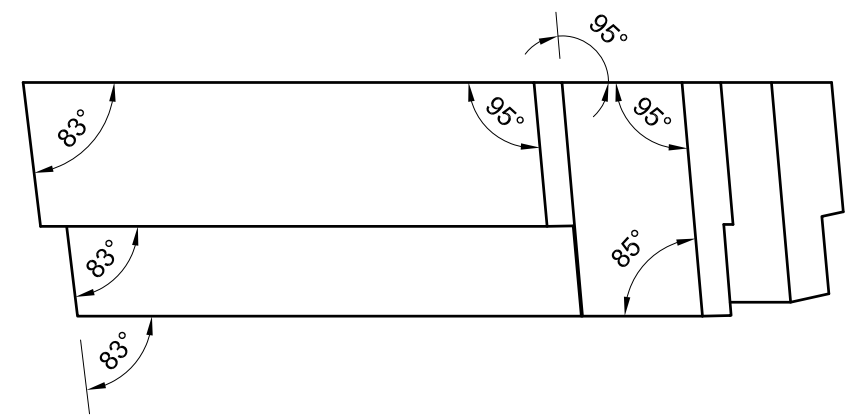
VIEW B6-120



VIEW D6-120

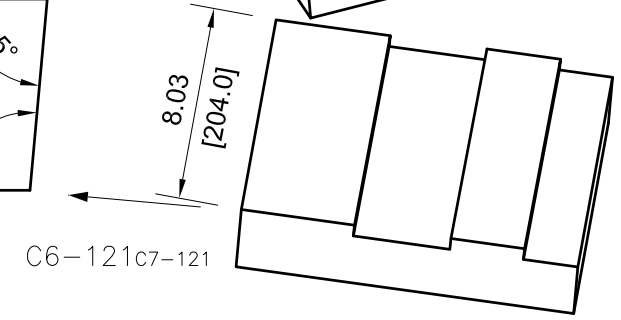
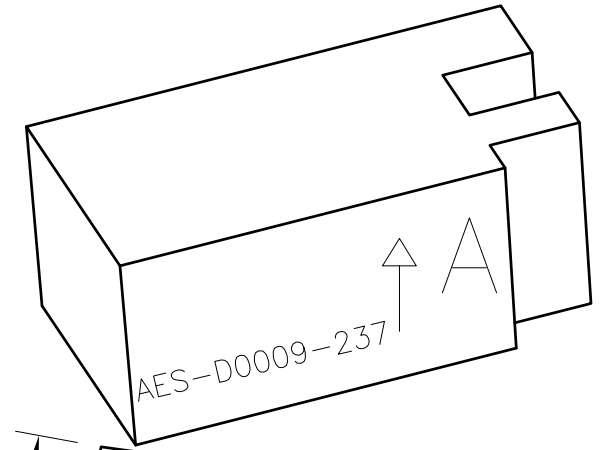


REAR VIEW RELATIVE TO VIEW D4-120



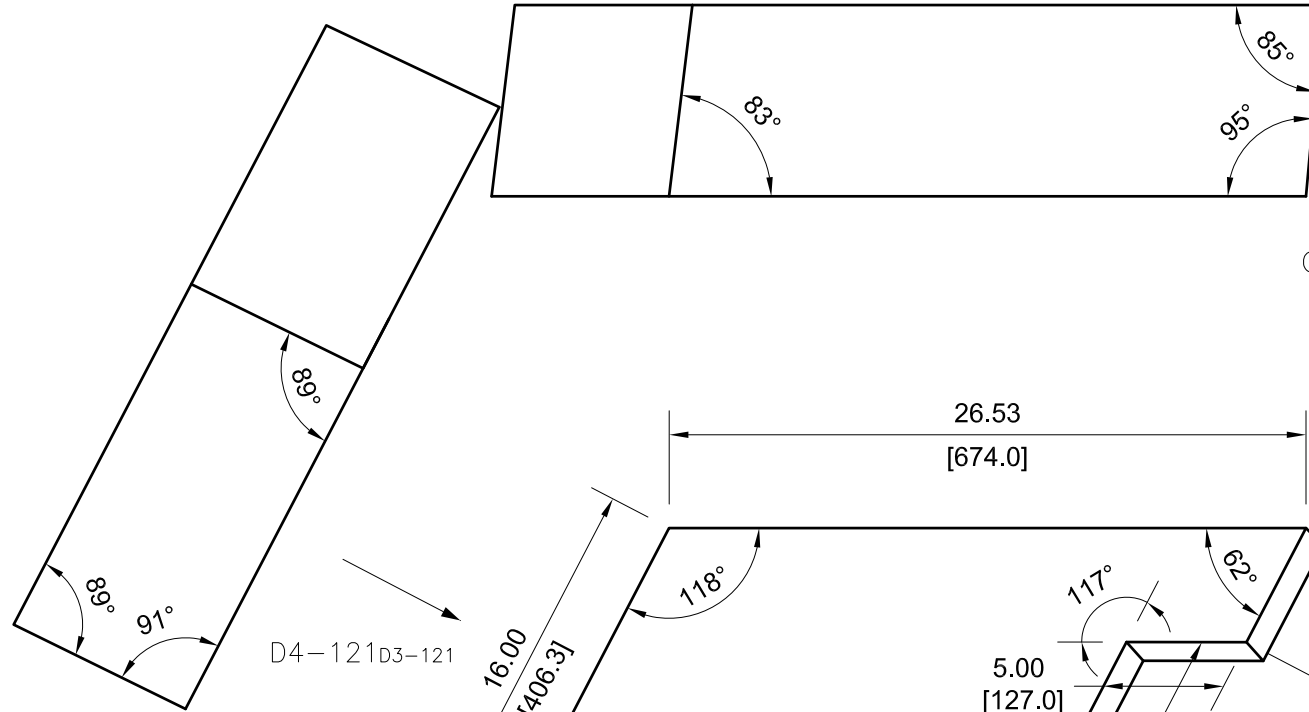
		DRAWING NUMBER			
		AES-D0009			
SIZE	SCALE	SHEET	OF	REVISION	
A3	NONE	120	190	B	

- 237



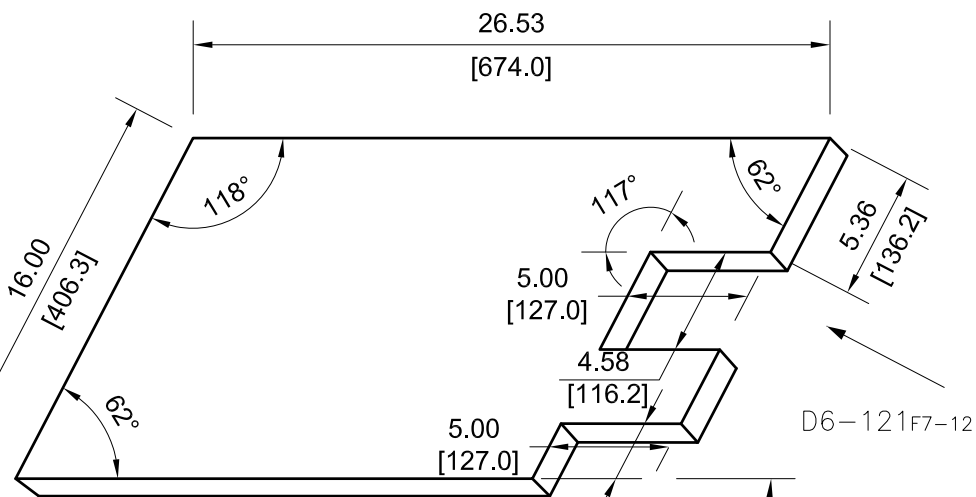
C6-121c7-121

VIEW C7-121



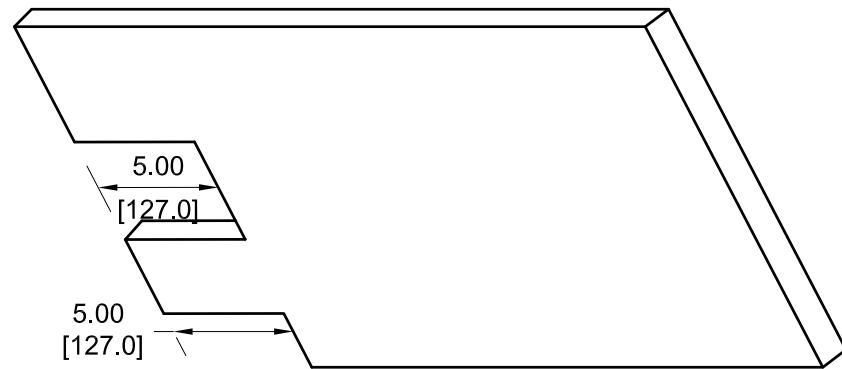
D4-121D3-121

VIEW D5-121

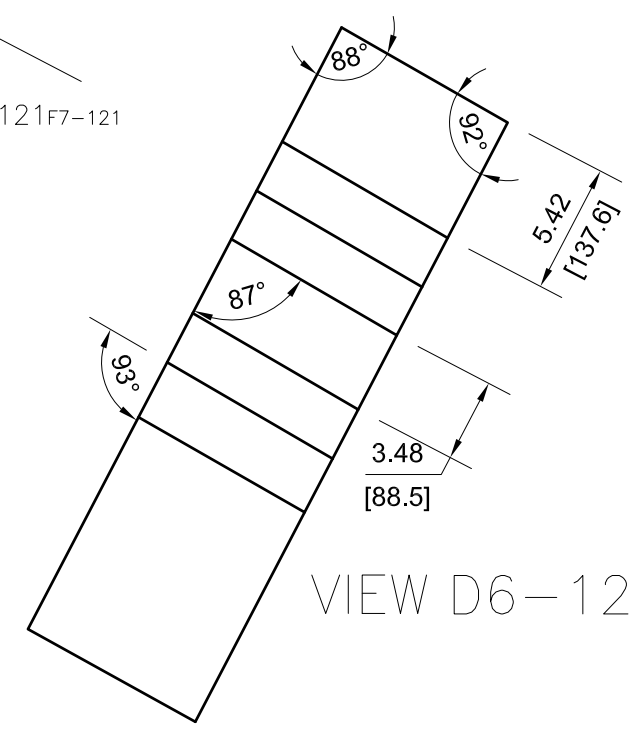
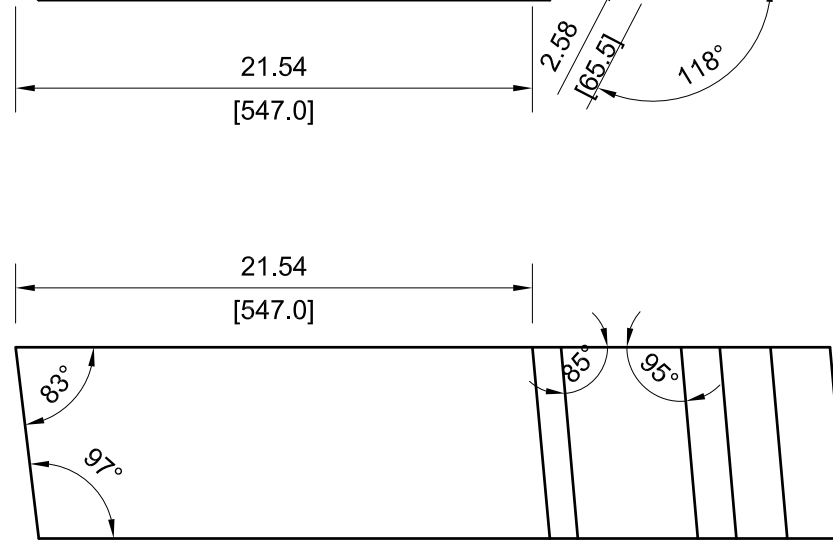


D6-121F7-121

VIEW D6-121

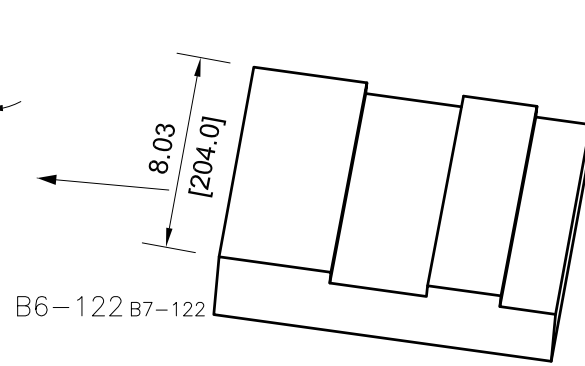
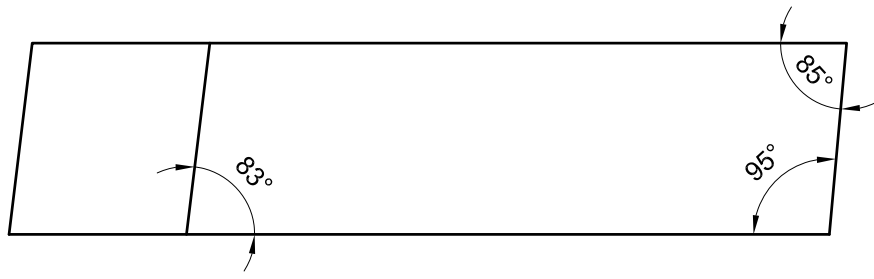
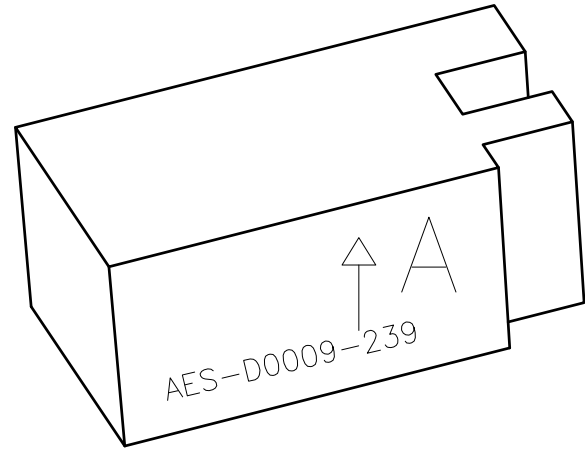


REAR VIEW RELATIVE TO VIEW D5-121

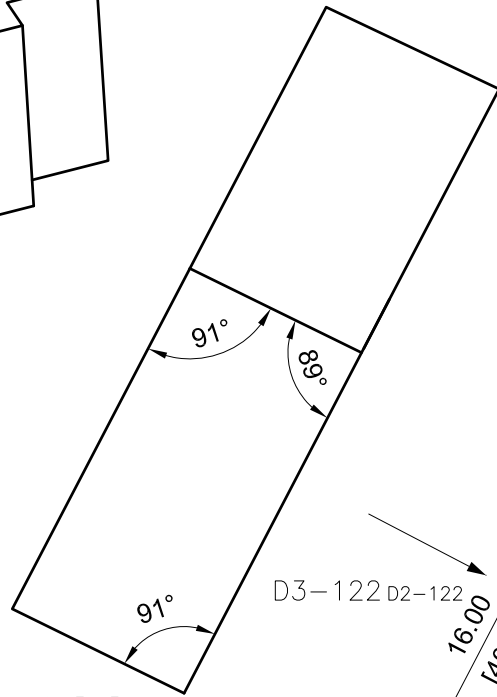


DRAWING NUMBER				
AES-D0009				
SIZE	SCALE	SHEET	OF	REVISION
A3	NONE	121	190	B

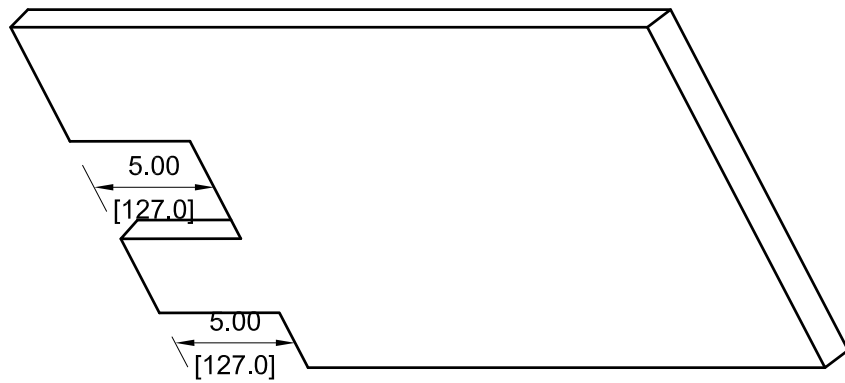
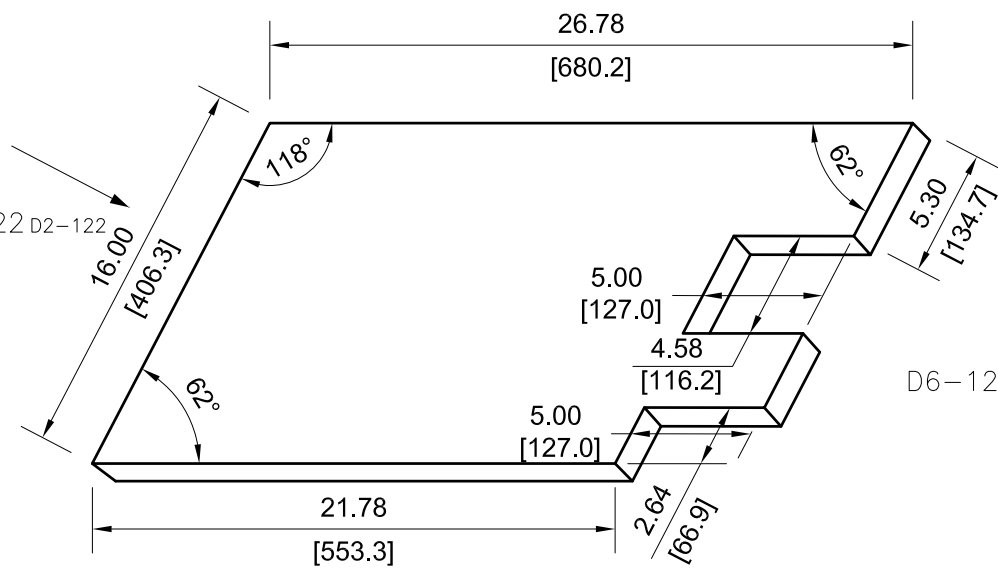
239



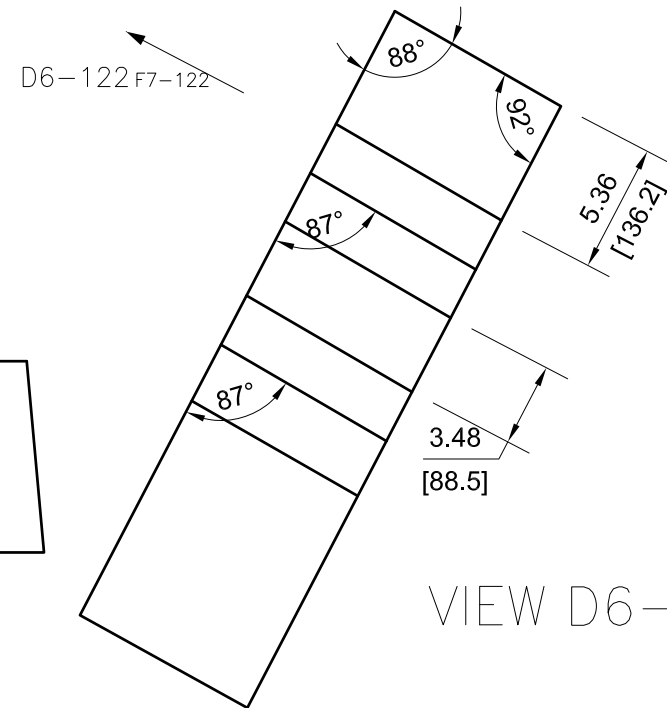
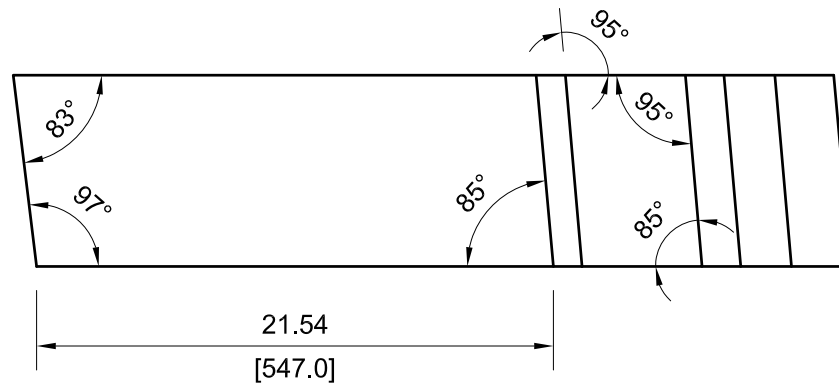
VIEW B6-122



VIEW D3-122



REAR VIEW RELATIVE TO VIEW D4-122

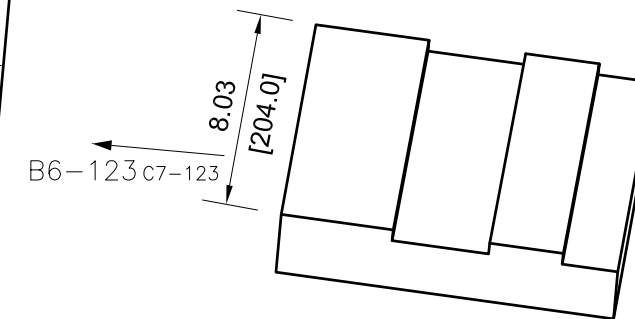
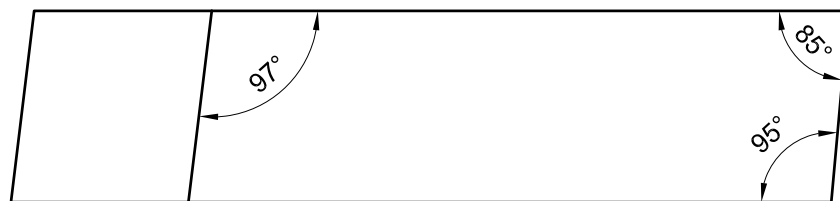
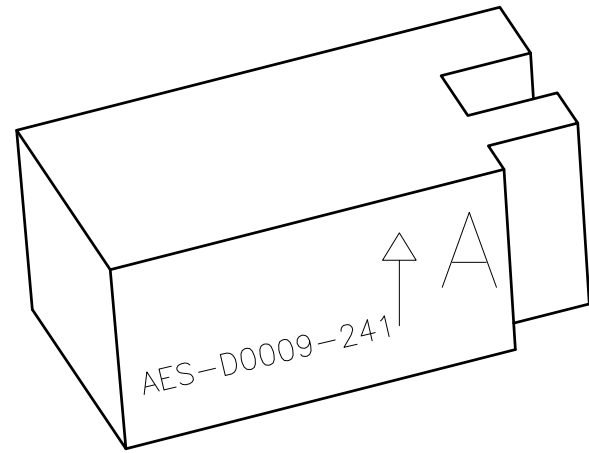


VIEW D6-122

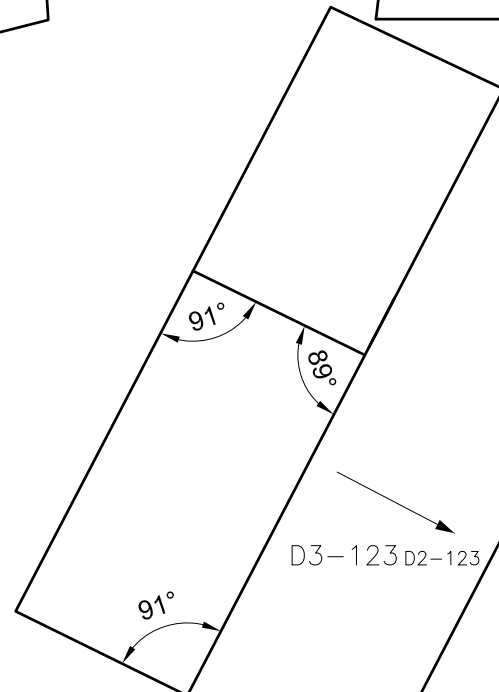


DRAWING NUMBER					AES-D0009	
SIZE	SCALE	SHEET	OF	REVISION		
A3	NONE	122	190	B		

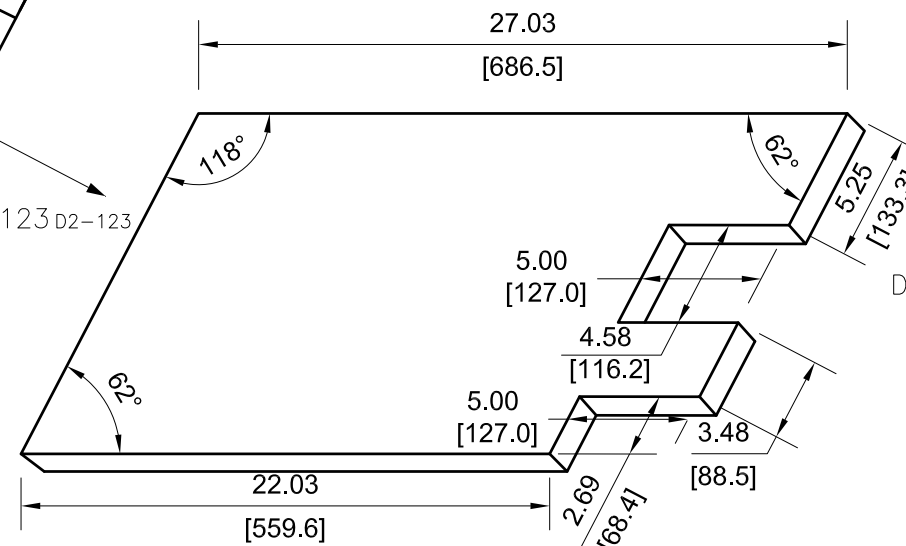
-241



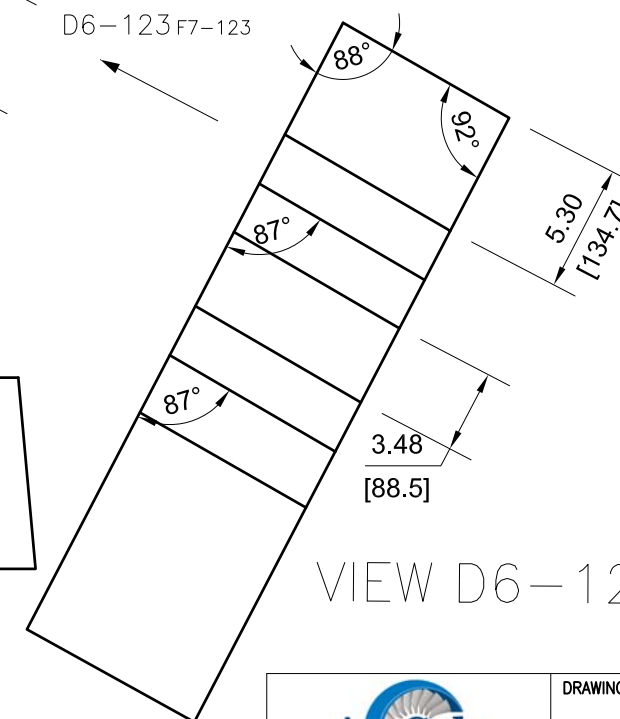
VIEW B6-123



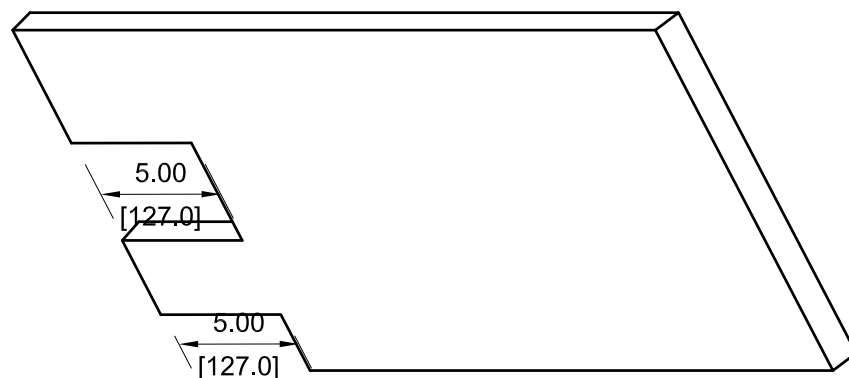
VIEW D3-123



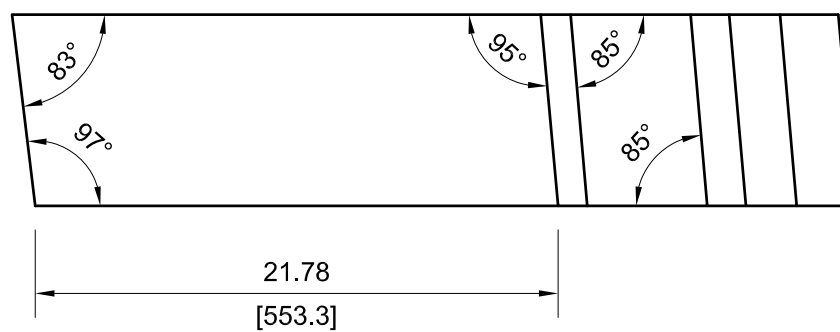
D6-123 F7-123



VIEW D6-123

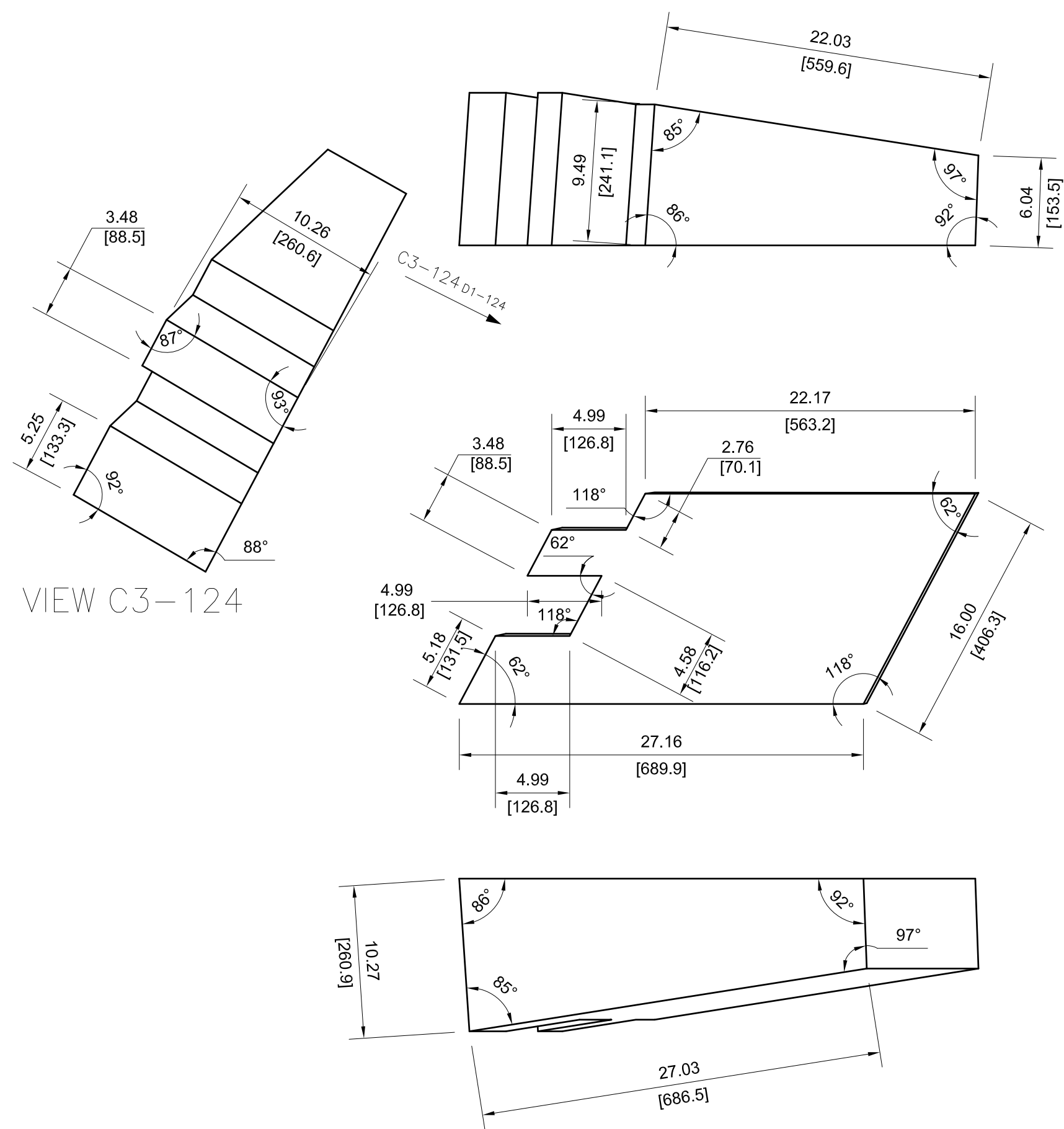
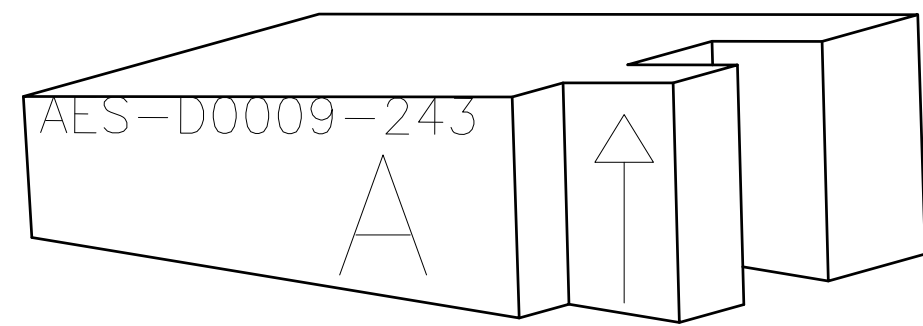


REAR VIEW RELATIVE TO VIEW D5-123



		DRAWING NUMBER			
		AES-D0009			
SIZE	SCALE	SHEET	OF	REVISION	
A3	NONE	123	190	B	

- 243



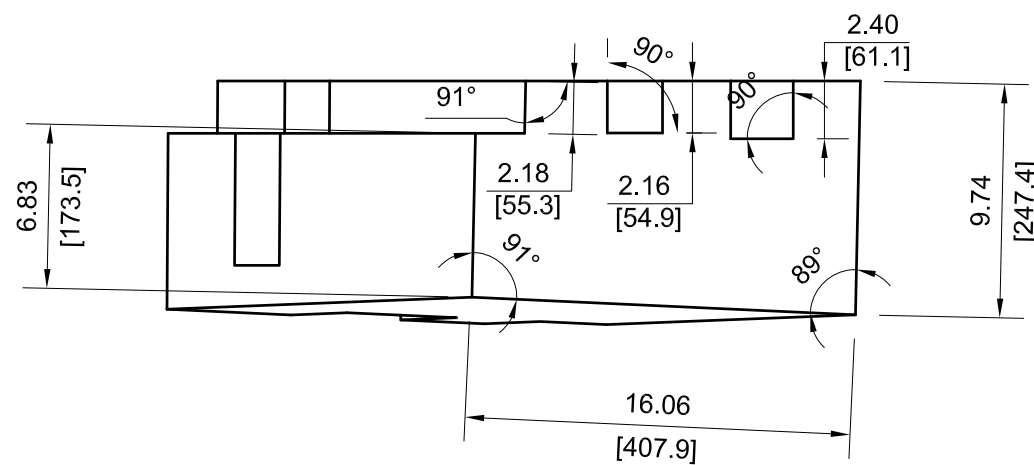
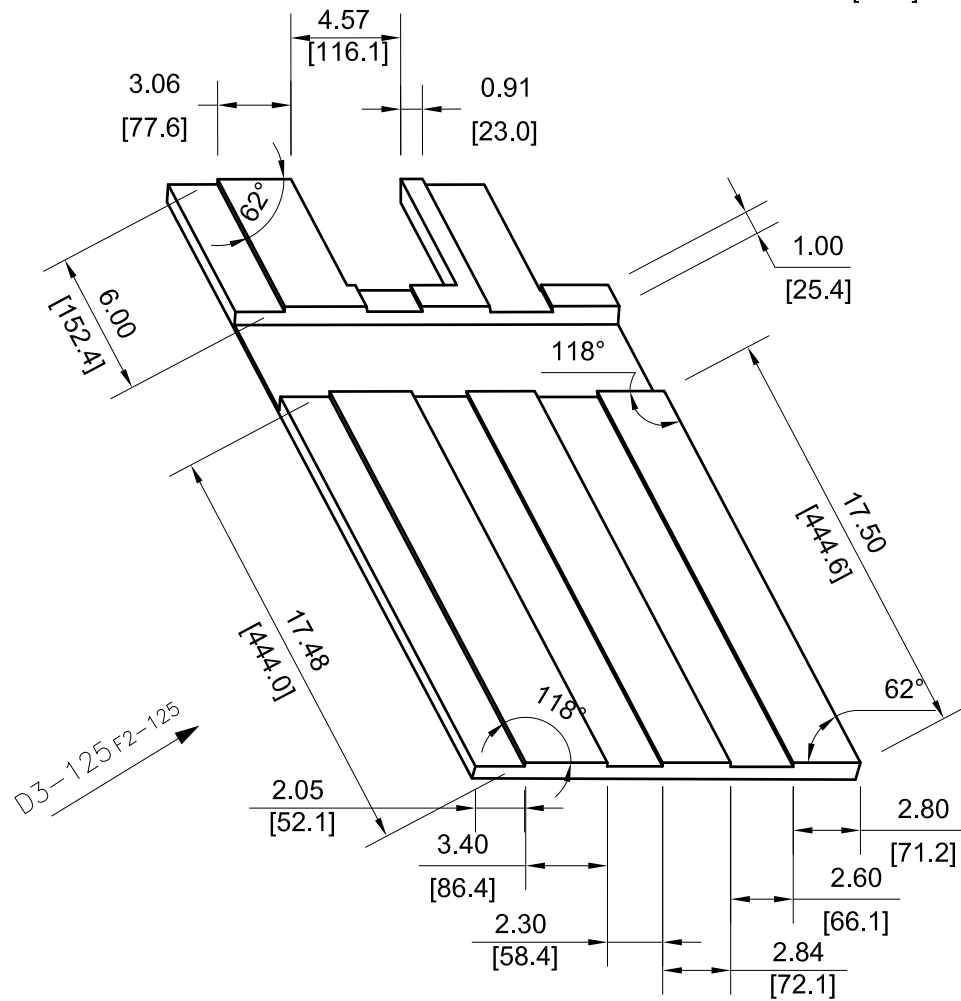
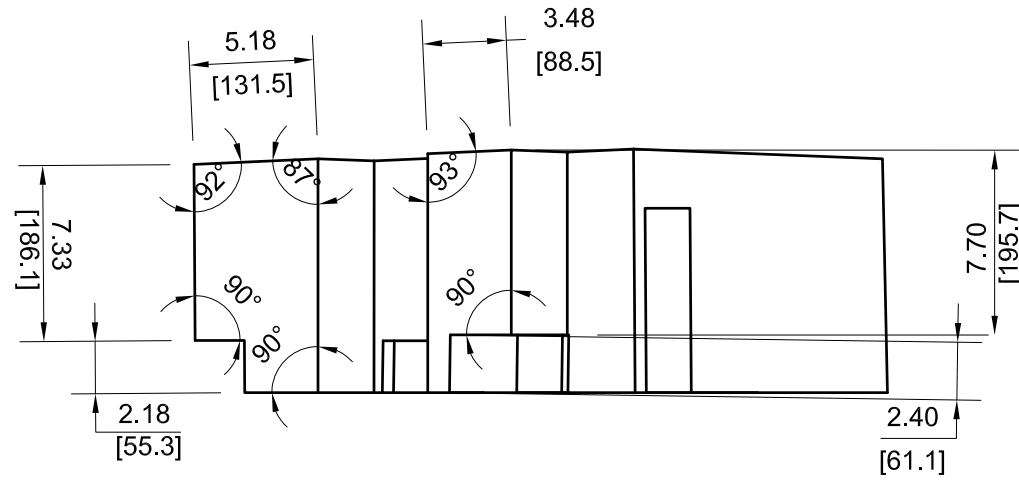
VIEW C3-124

VIEW D6-124

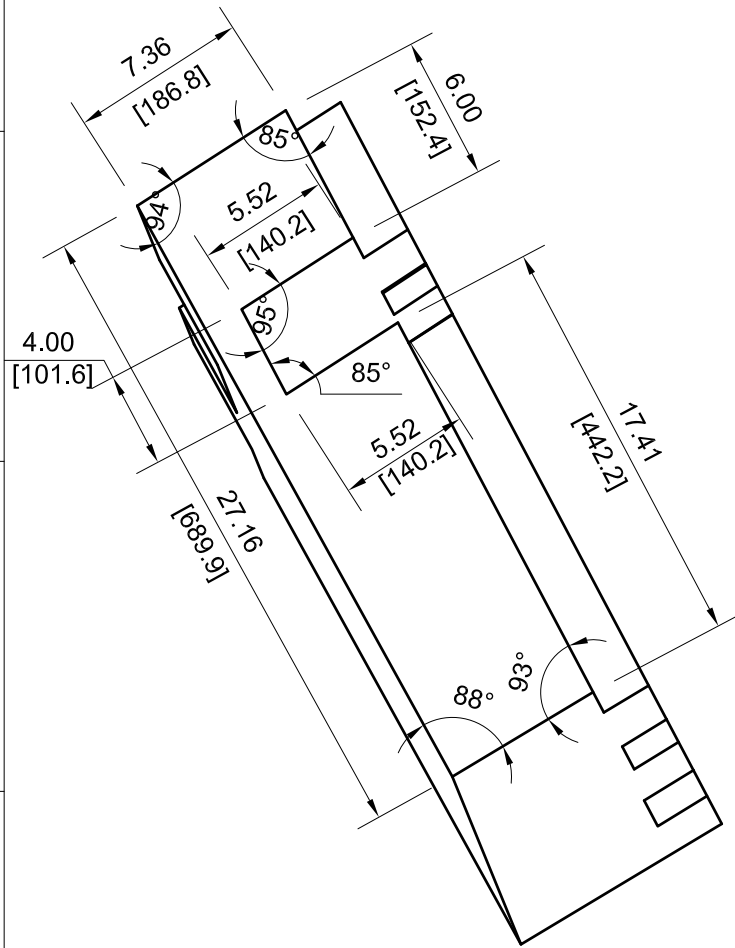
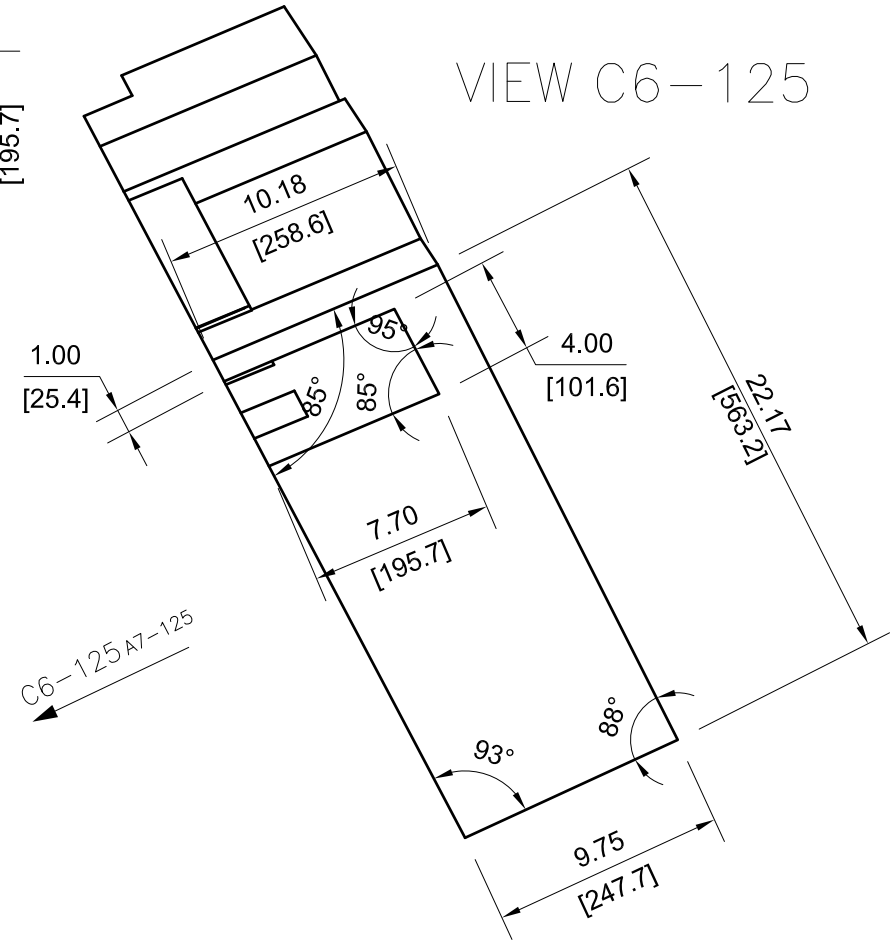


DRAWING NUMBER				
AES-D0009				
SIZE	SCALE	SHEET	OF	REVISION
A3	NONE	124	190	B

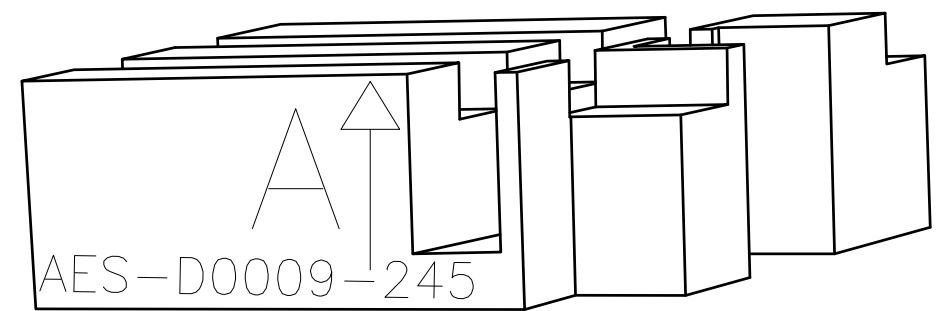
245



VIEW C6-125

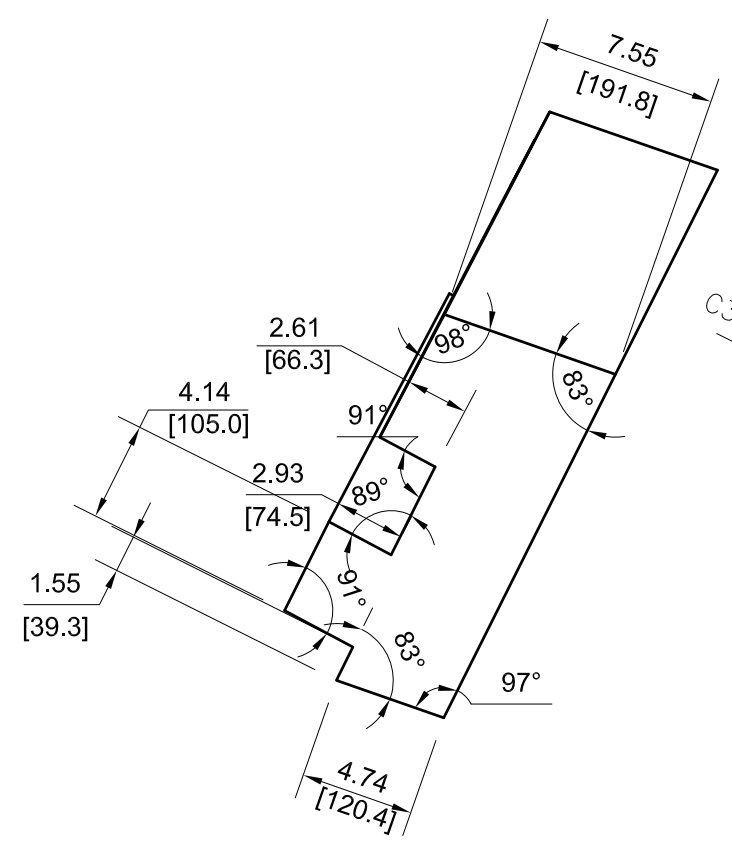
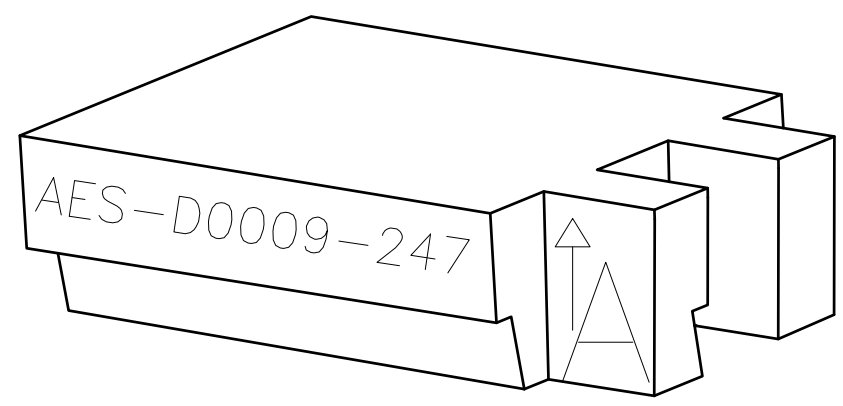


VIEW D3-125

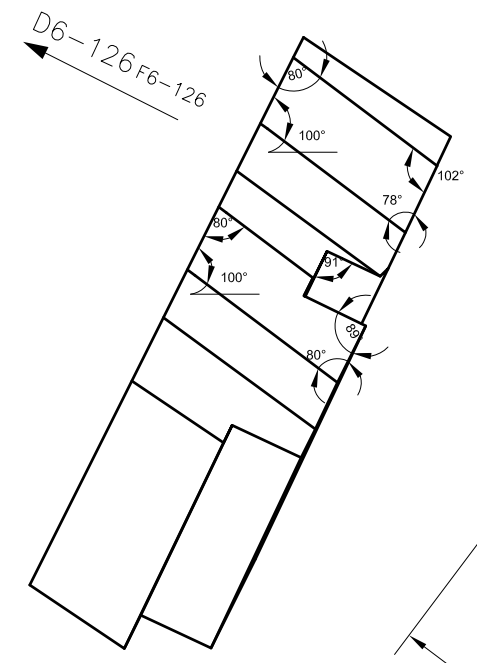
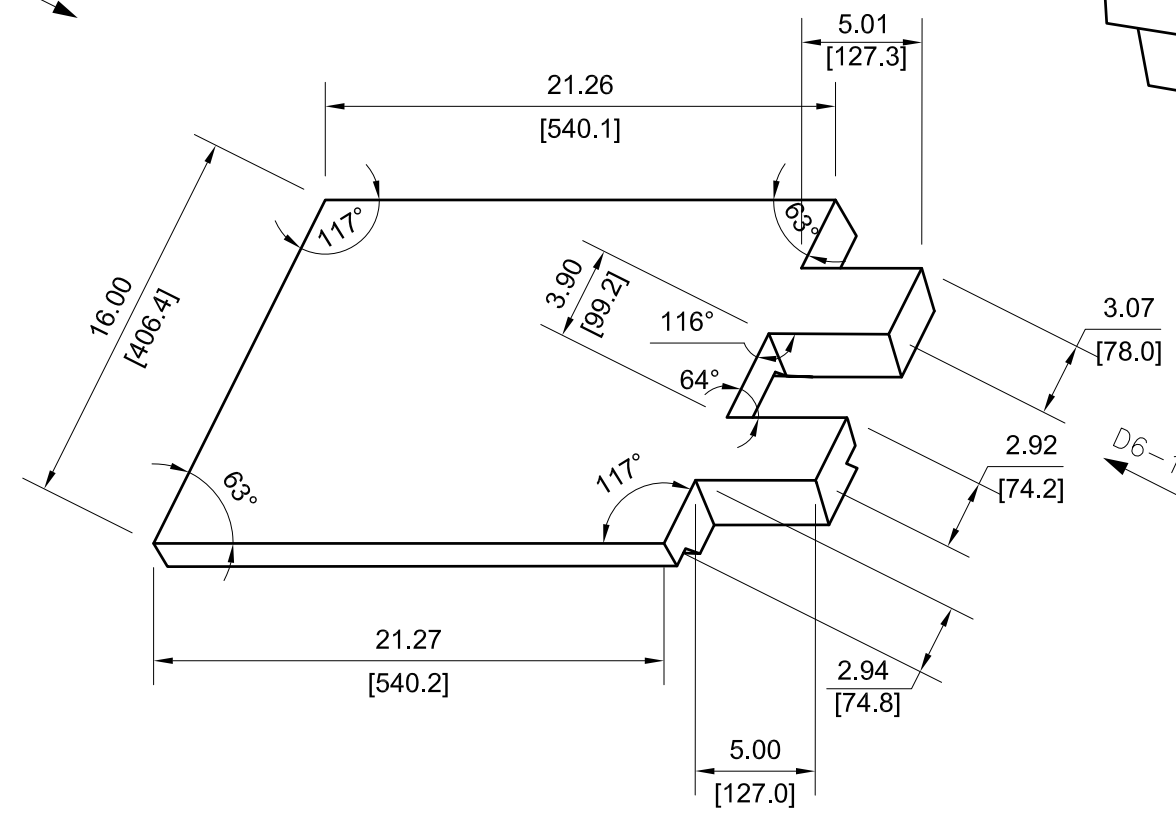
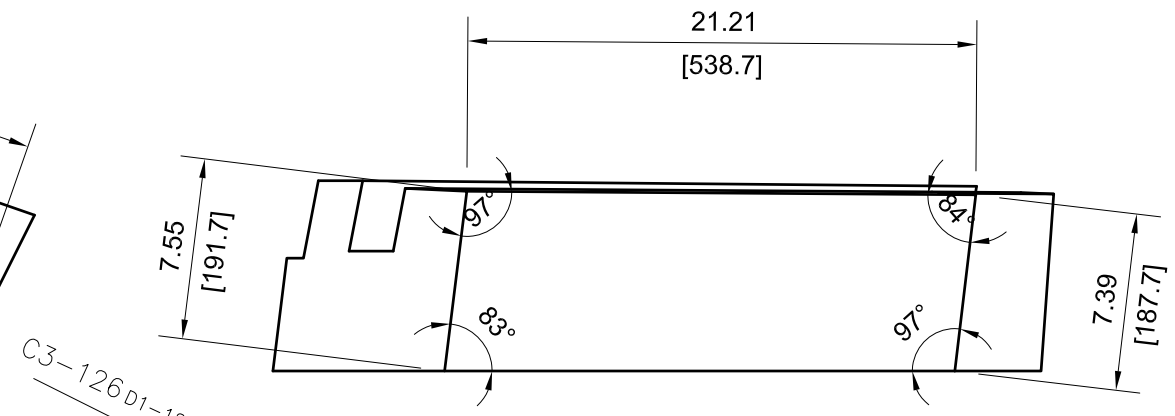


DRAWING NUMBER				
AES-D0009				
SIZE	SCALE	SHEET	OF	REVISION
A3	NONE	125	190	B

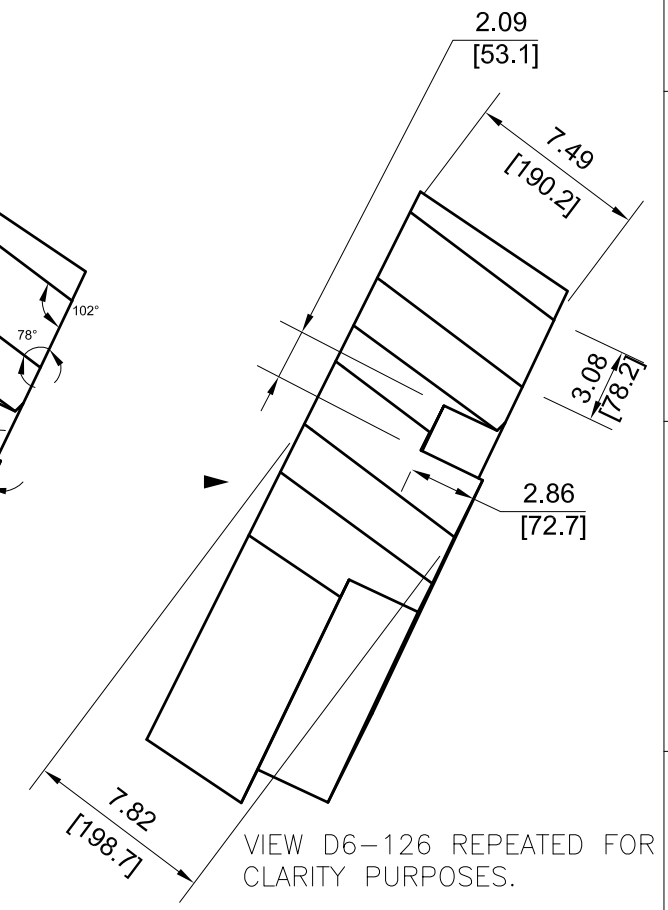
247



VIEW C3-126



VIEW D6-126

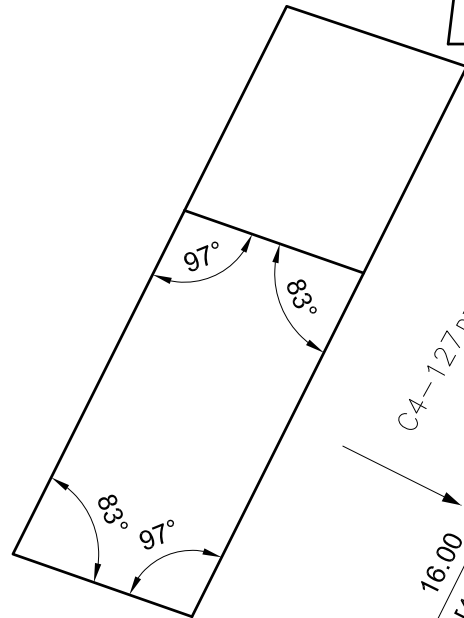
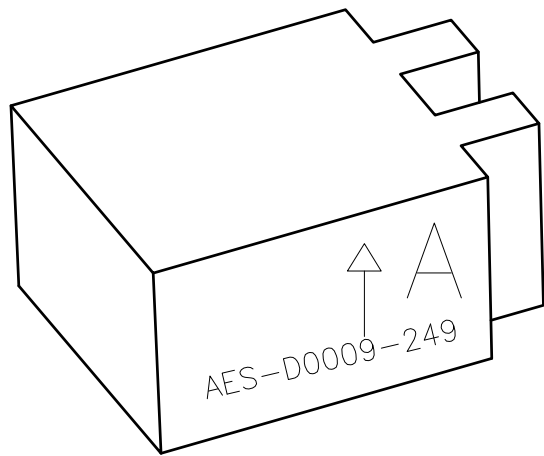


VIEW D6-126 REPEATED FOR CLARITY PURPOSES.

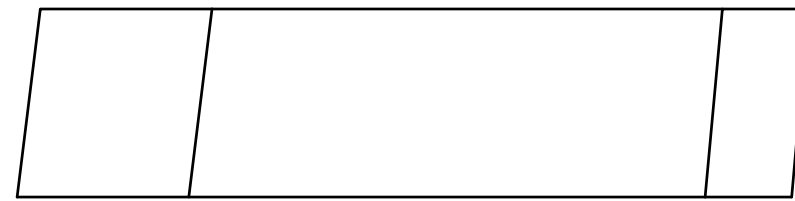


DRAWING NUMBER				
AES-D0009				
SIZE	SCALE	SHEET	OF	REVISION
A3	NONE	126	190	B

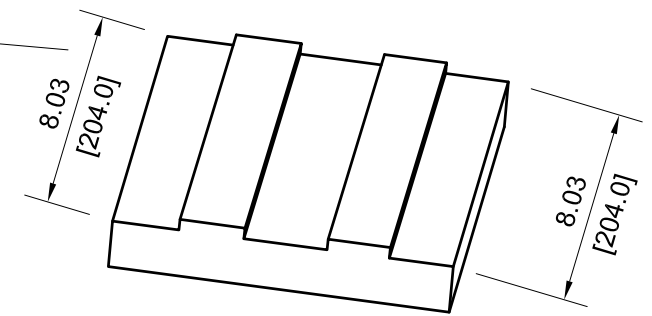
— 249



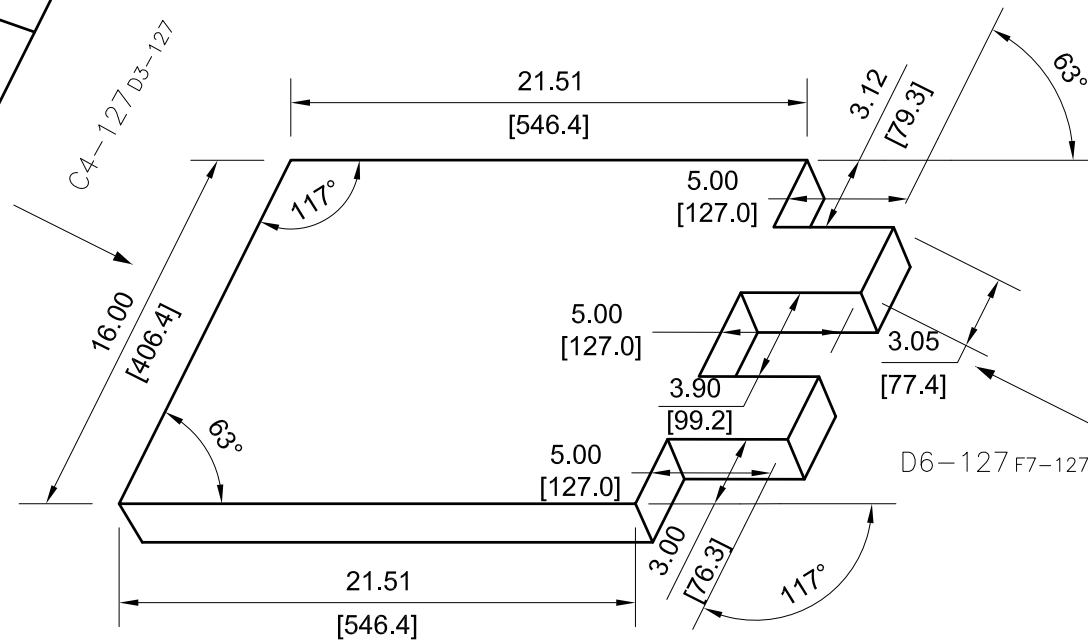
VIEW C4-127



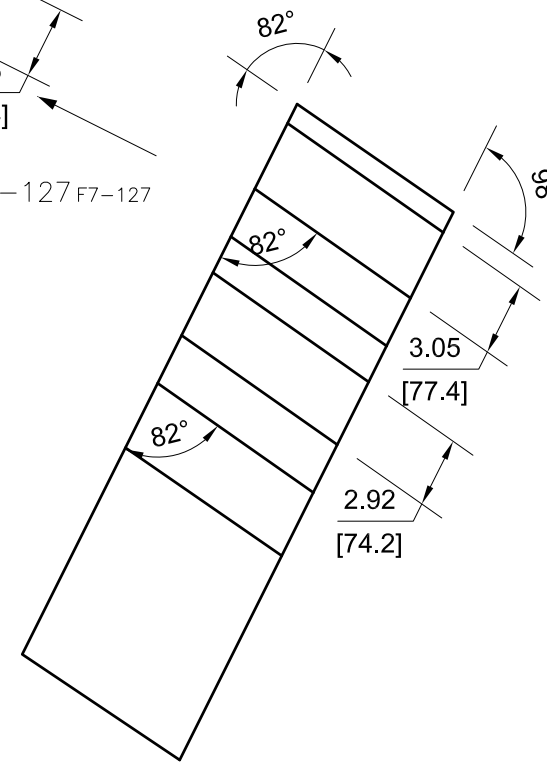
A6-127 B7-127



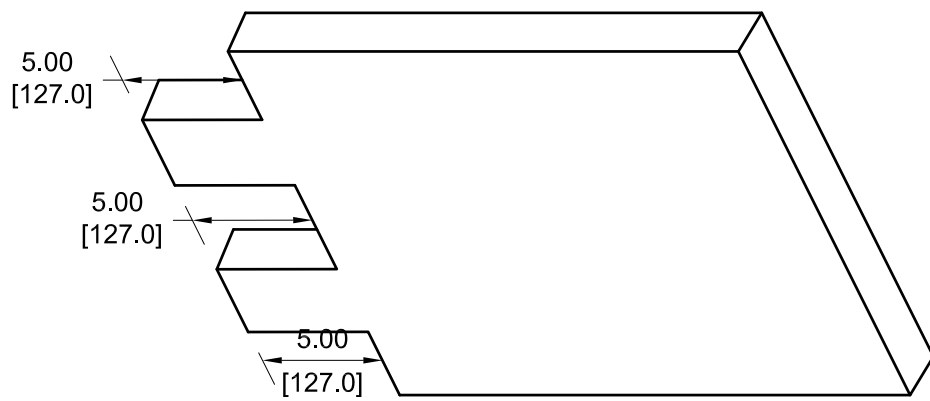
VIEW A6-127



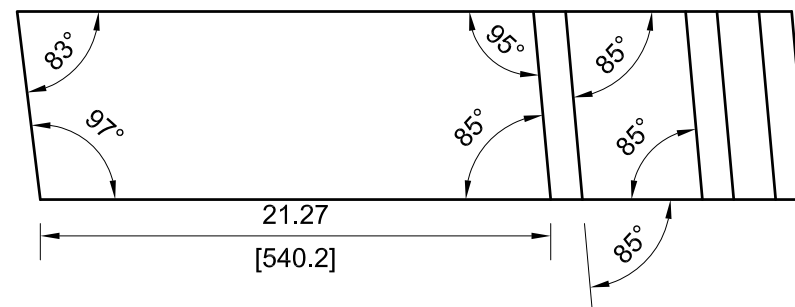
D6-127 F7-127



VIEW D6-127

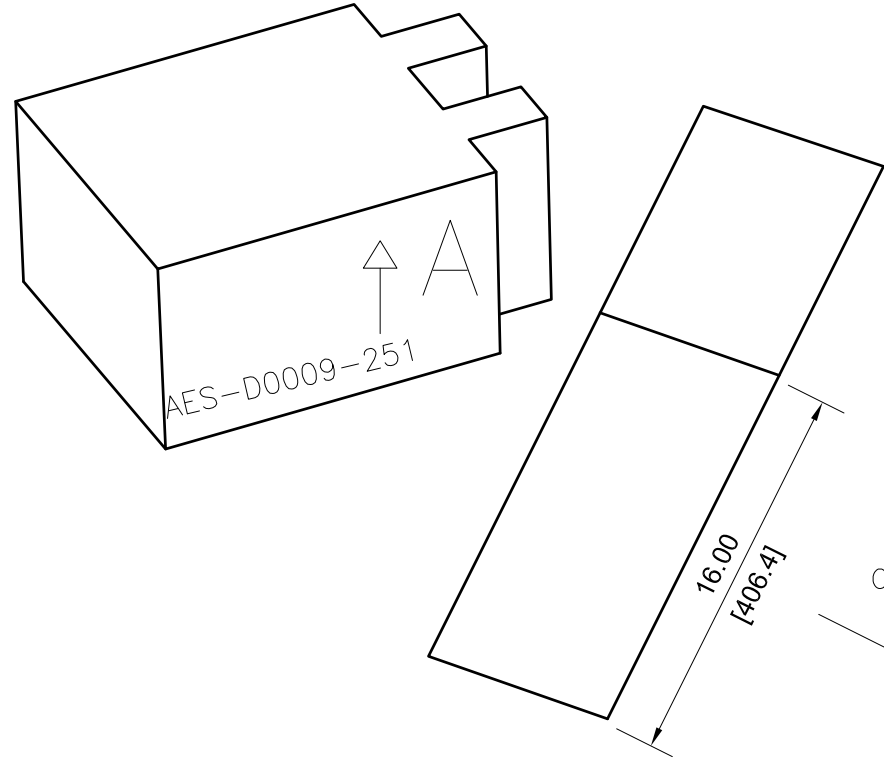


REAR VIEW RELATIVE TO VIEW D5-127



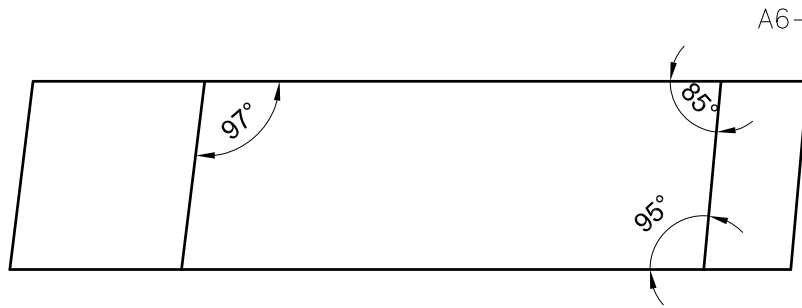
		DRAWING NUMBER			
		AES-D0009			
SIZE	SCALE	SHEET	OF	REVISION	
A3	NONE	127	190	B	

251

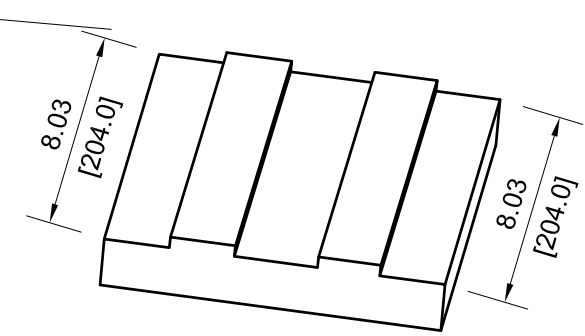


VIEW C3-128

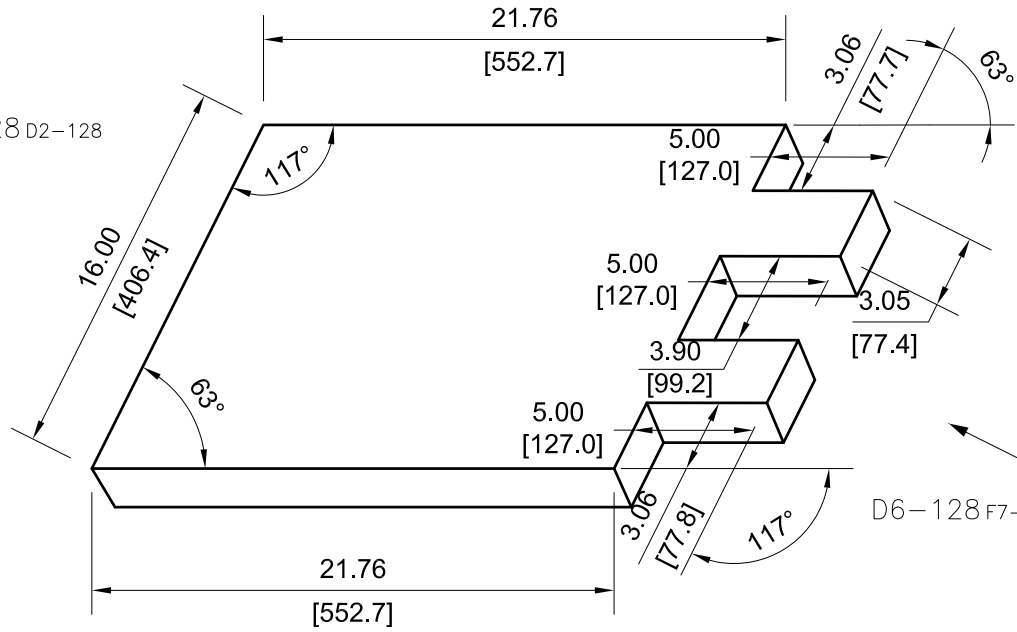
C3-128 D2-128



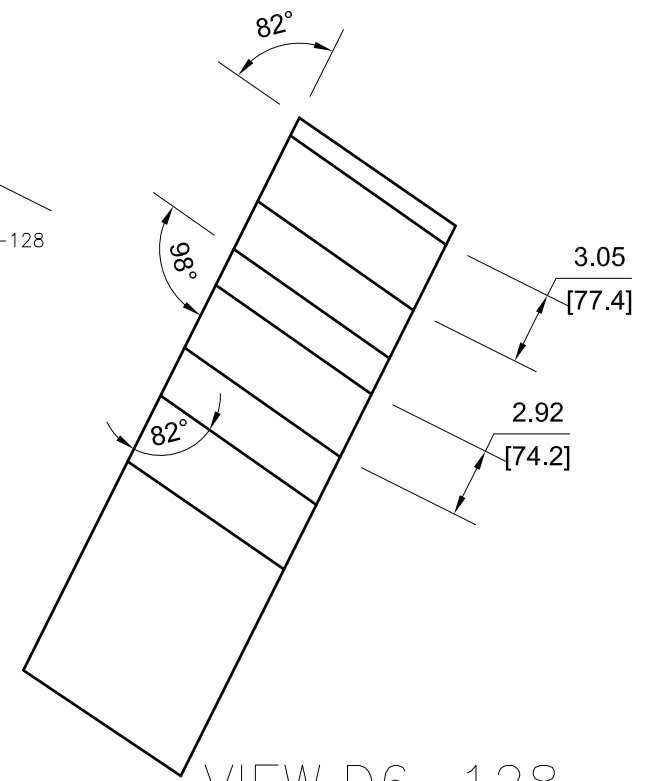
A6-128 C7-128



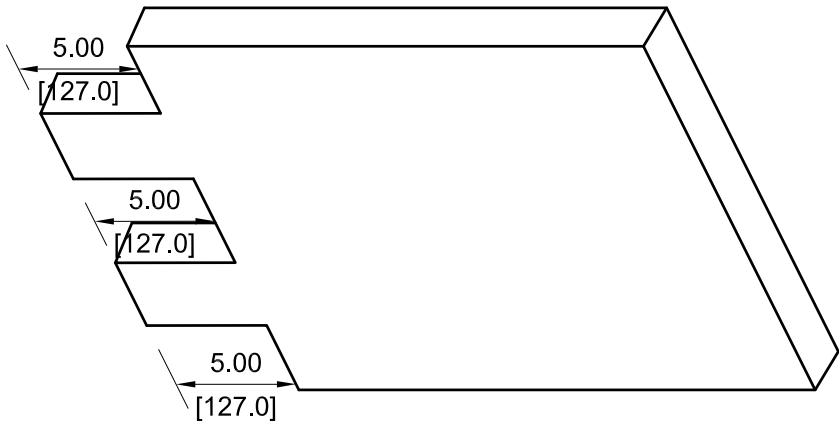
VIEW A6-128



D6-128 F7-128

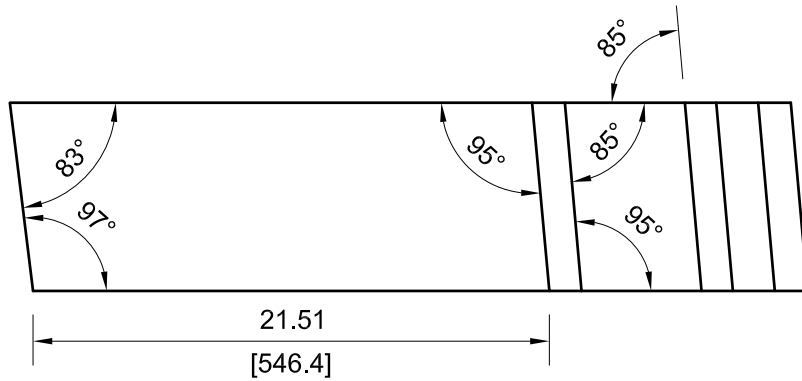


VIEW D6-128

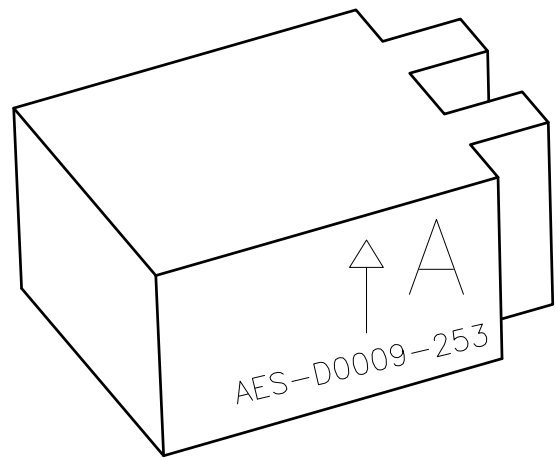


REAR VIEW RELATIVE TO VIEW D4-128

UP
1

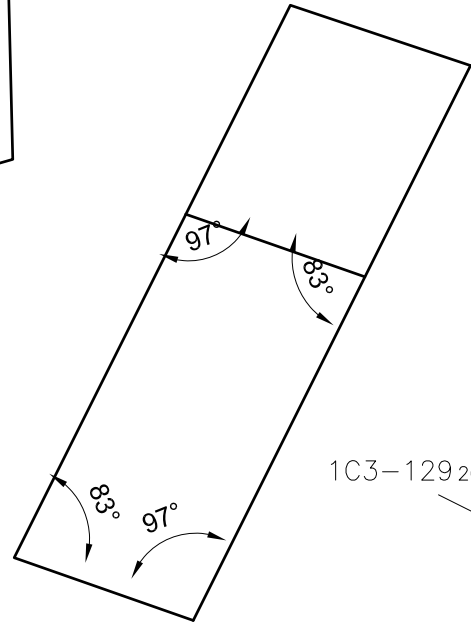


		DRAWING NUMBER			
		AES-D0009			
SIZE	SCALE	SHEET	OF	REVISION	
A3	NONE	128	190	B	

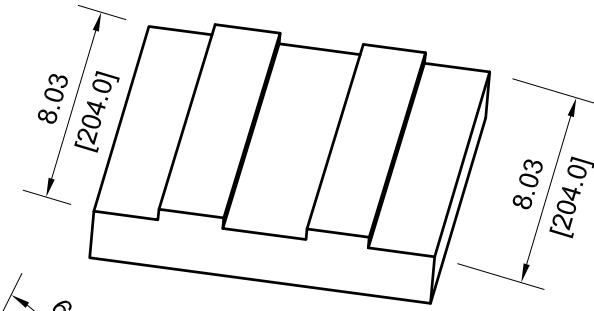
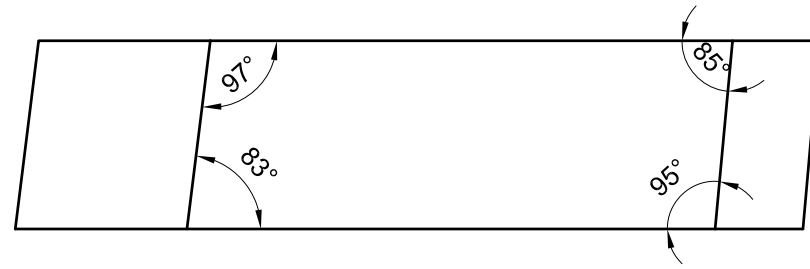


253

A6-129 B7-129

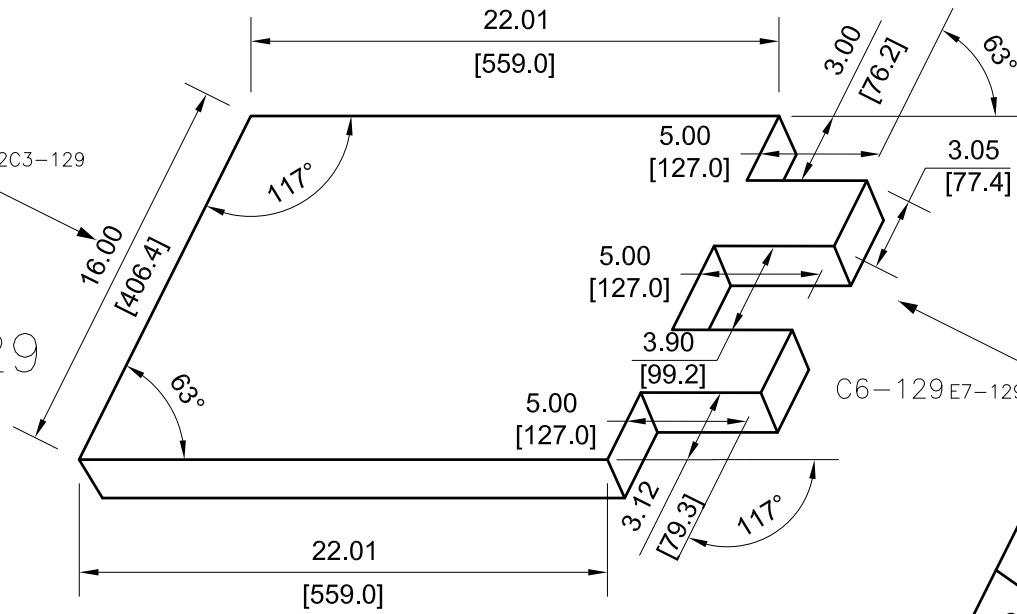


VIEW 1C3-129

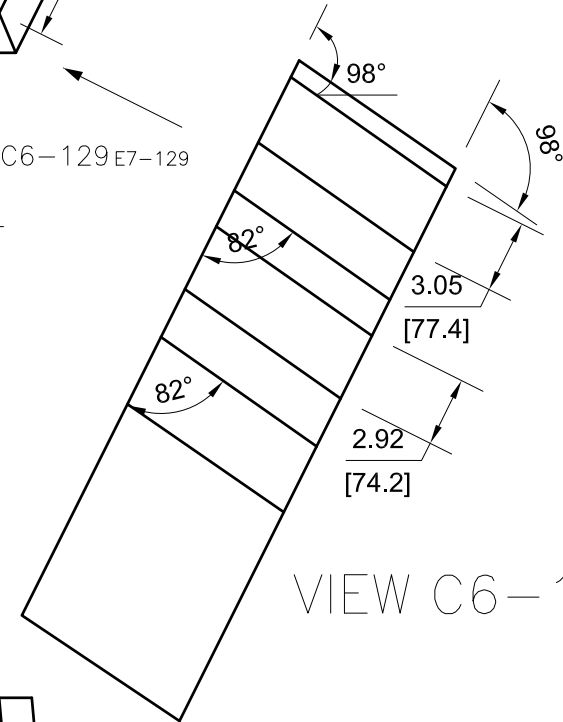


VIEW A6-129

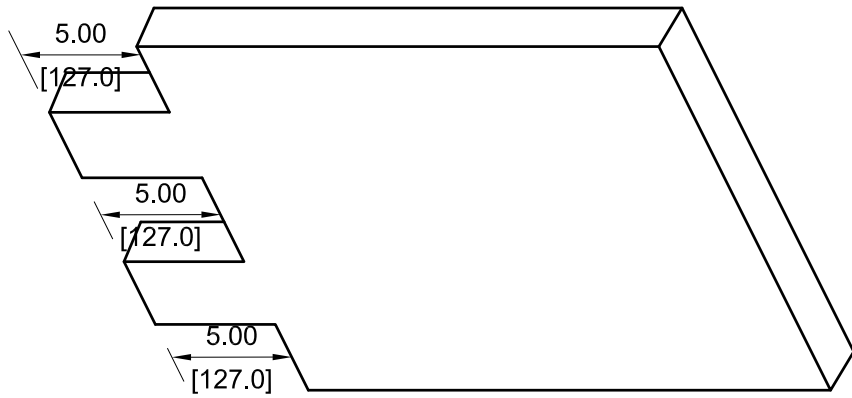
1C3-129 2C3-129



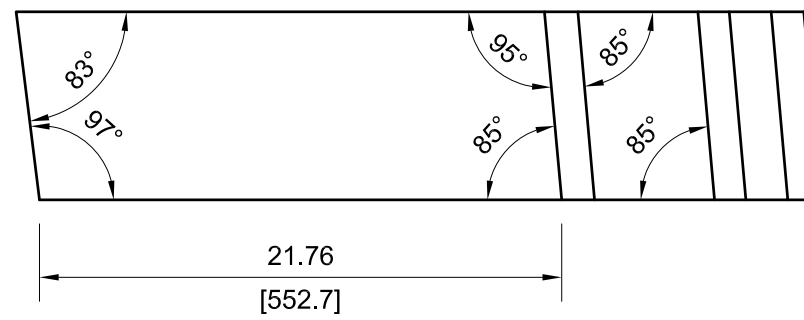
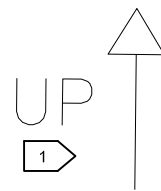
C6-129 E7-129



VIEW C6-129

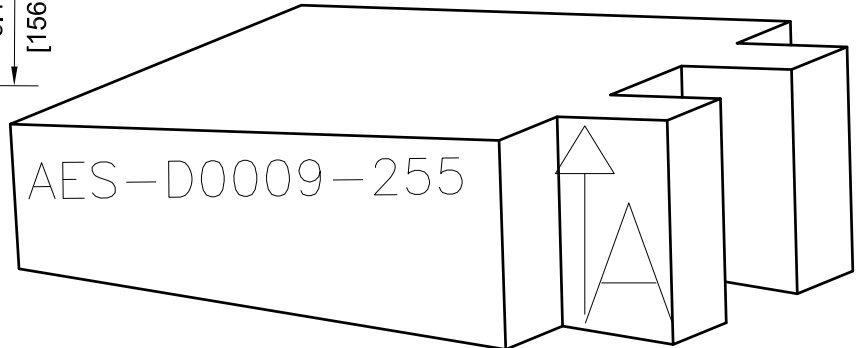


REAR VIEW RELATIVE TO VIEW D4-129




		DRAWING NUMBER			
		AES-D0009			
SIZE	SCALE	SHEET	OF	REVISION	
A3	NONE	129	190	B	

255

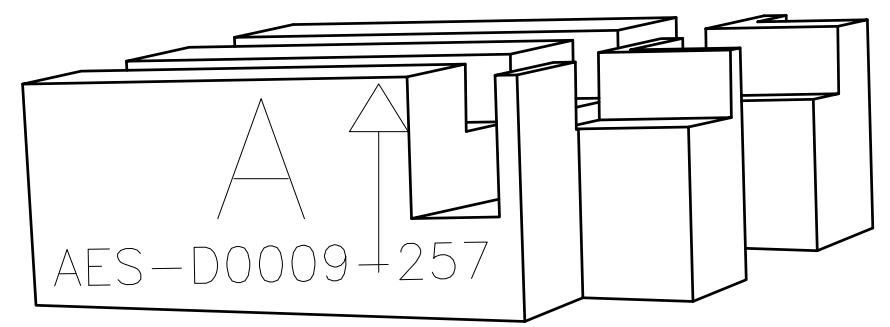
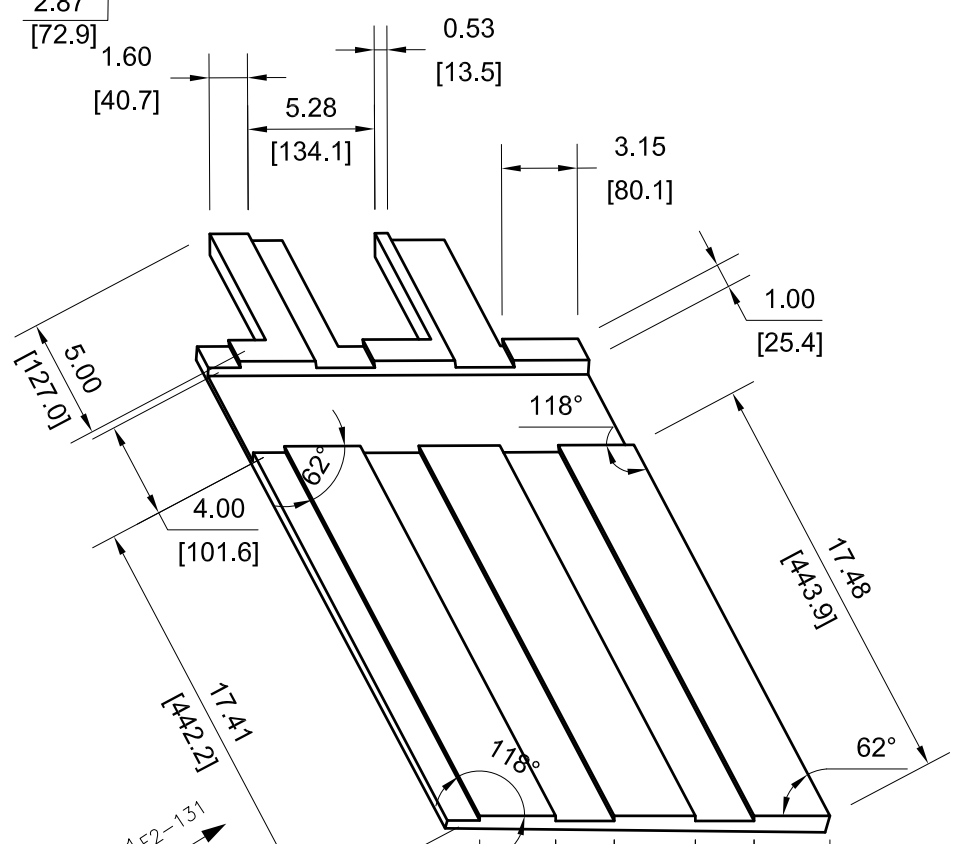
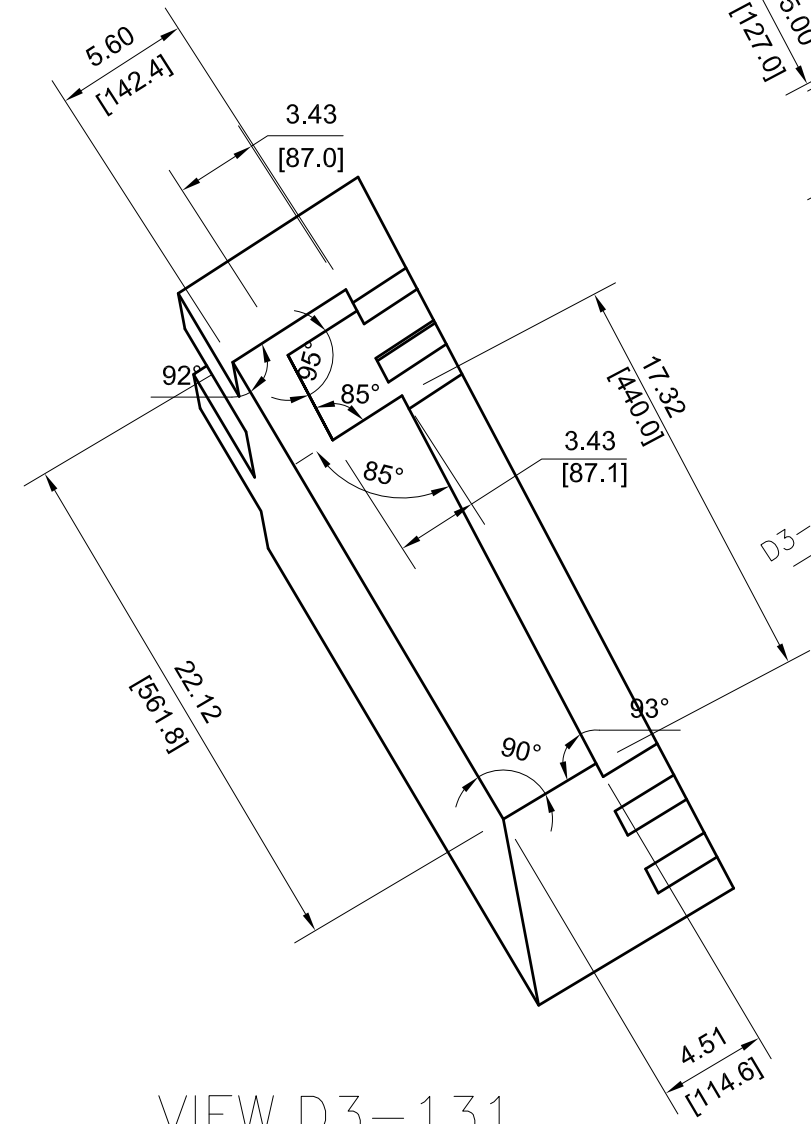
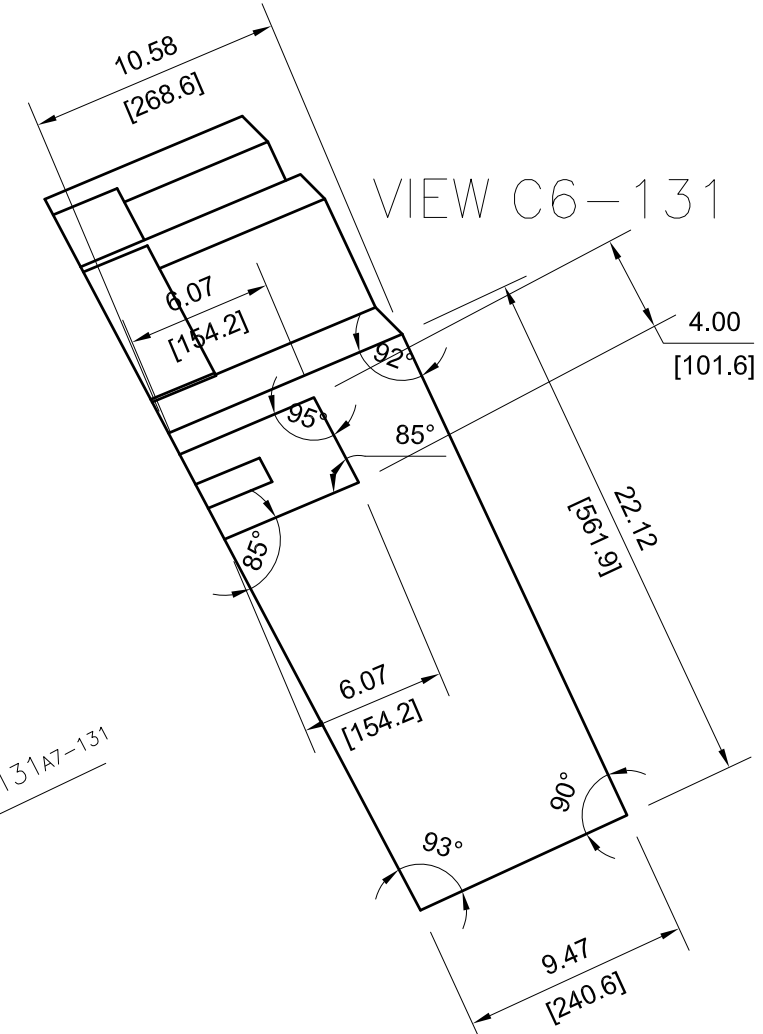
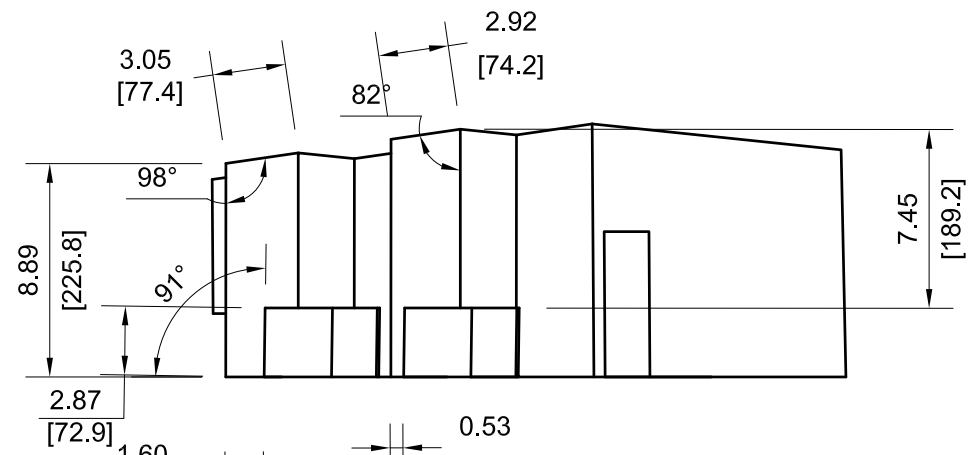


VIEW C3-130

VIEW D6-130

		DRAWING NUMBER			
		AES-D0009			
SIZE	SCALE	SHEET	OF	REVISION	
A3	NONE	130	190	B	

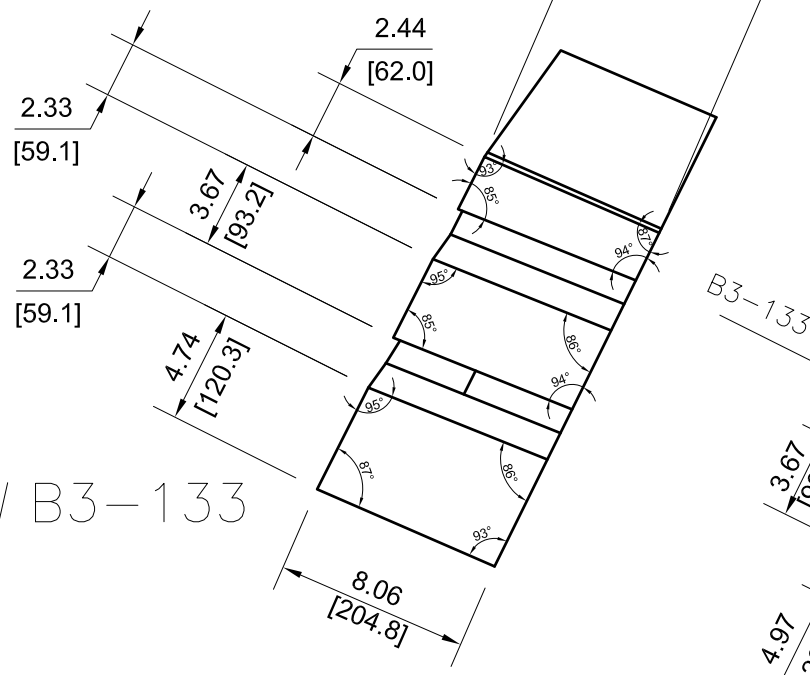
257



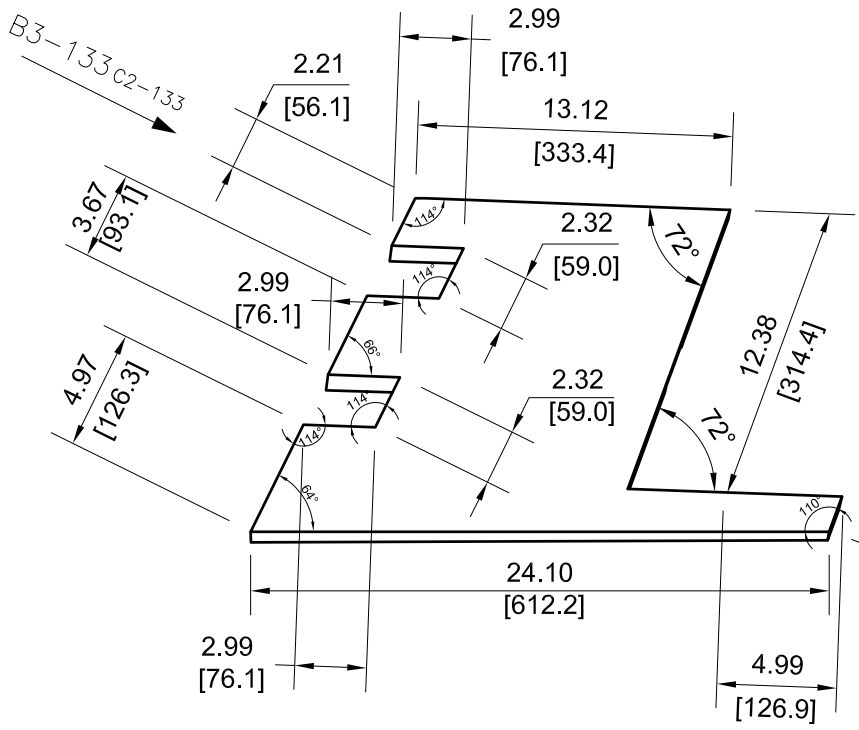
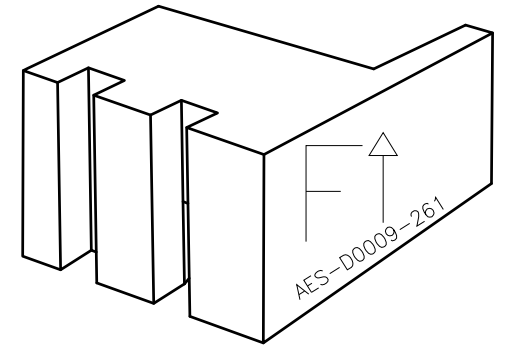
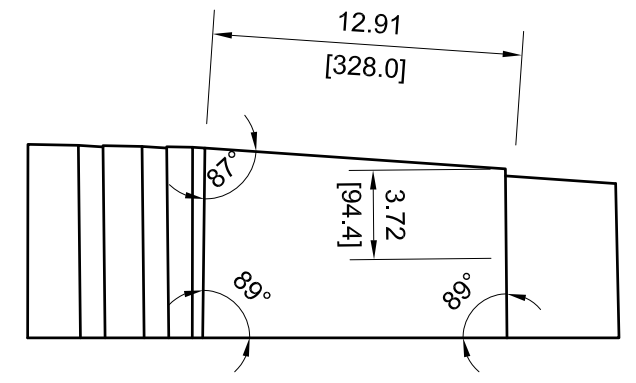
VIEW D3-131

		DRAWING NUMBER			
		AES-D0009			
SIZE	SCALE	SHEET	OF	REVISION	
A3	NONE	131	190	B	

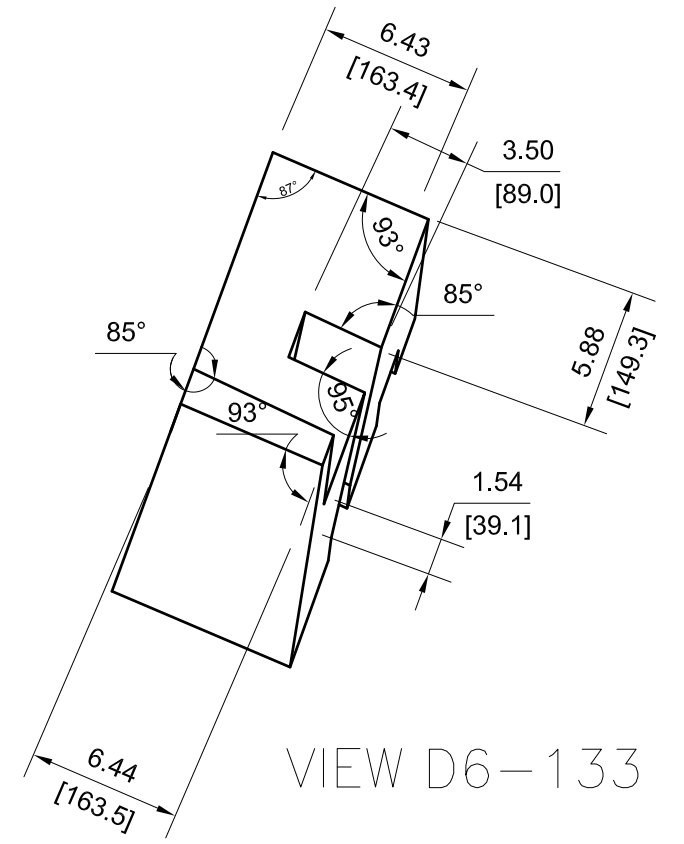
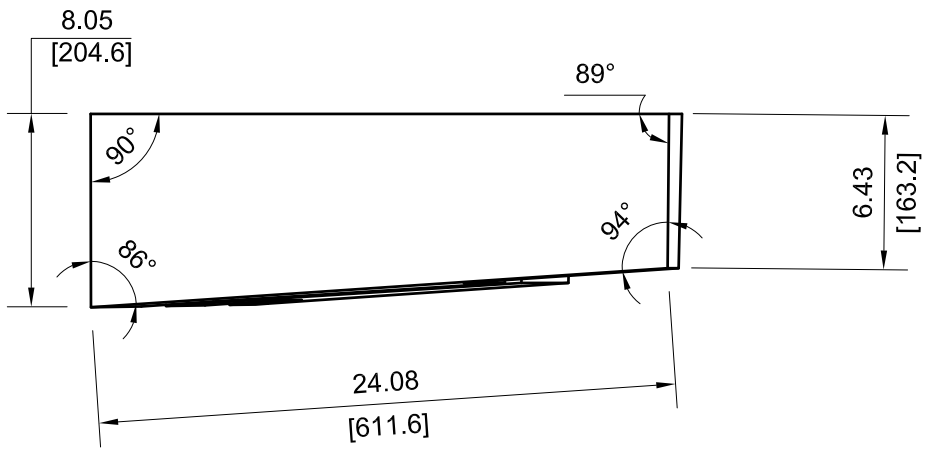
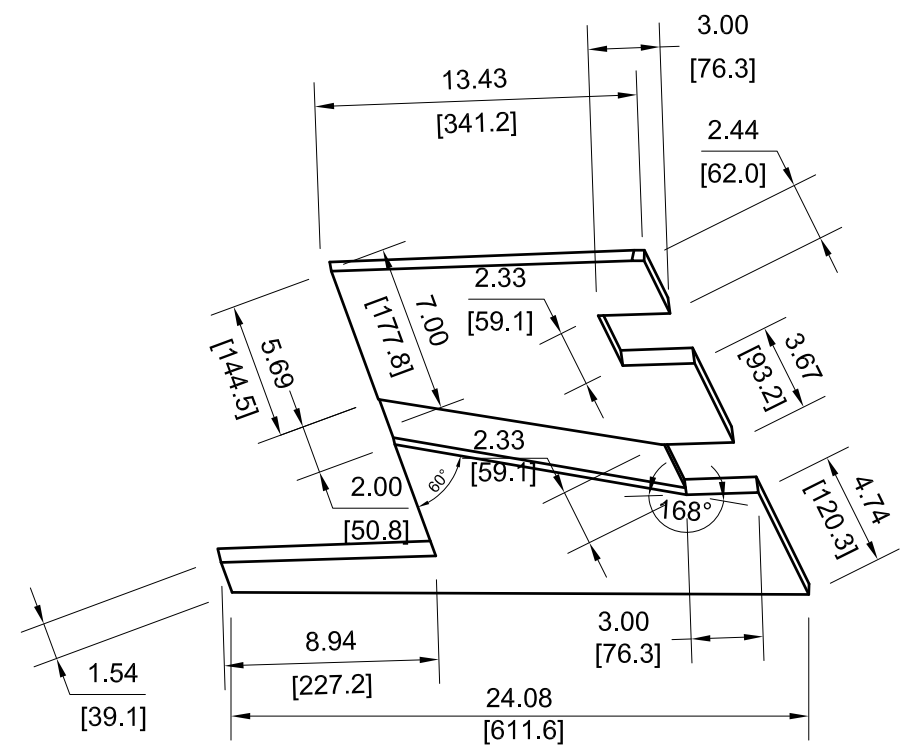
261



VIEW B3-133



VIEW C5-133 OPPOSITE SIDE
(BOTTOM VIEW)



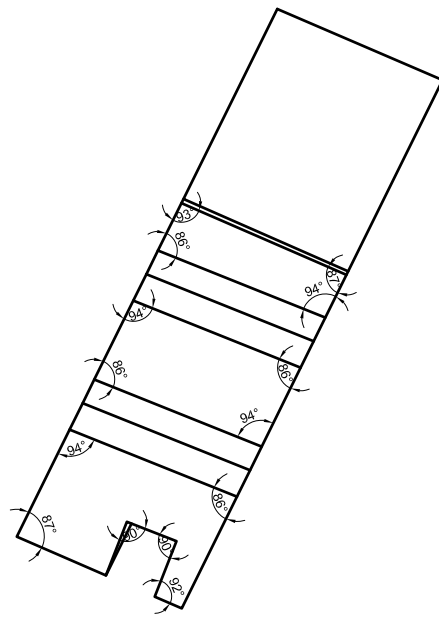
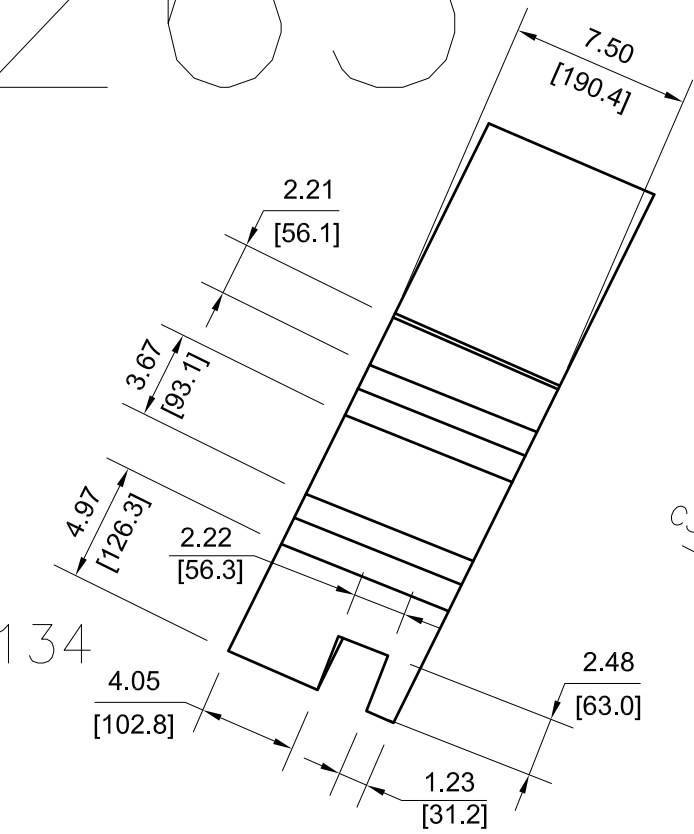
VIEW D6-133



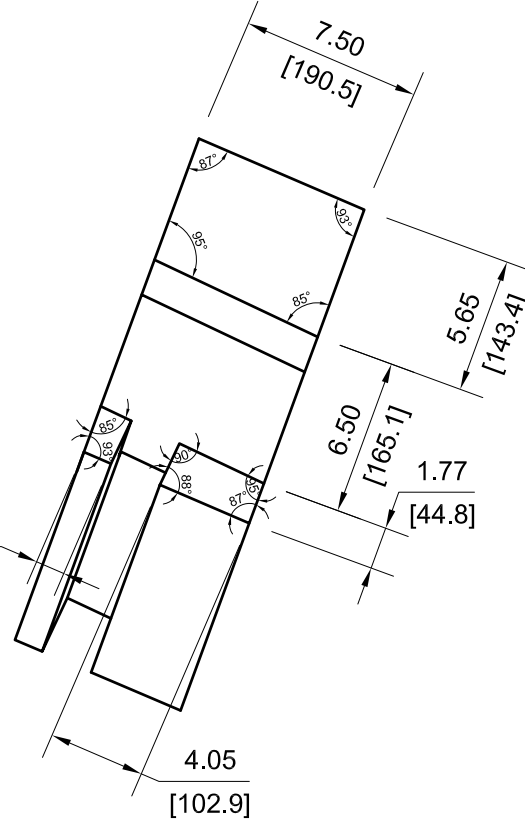
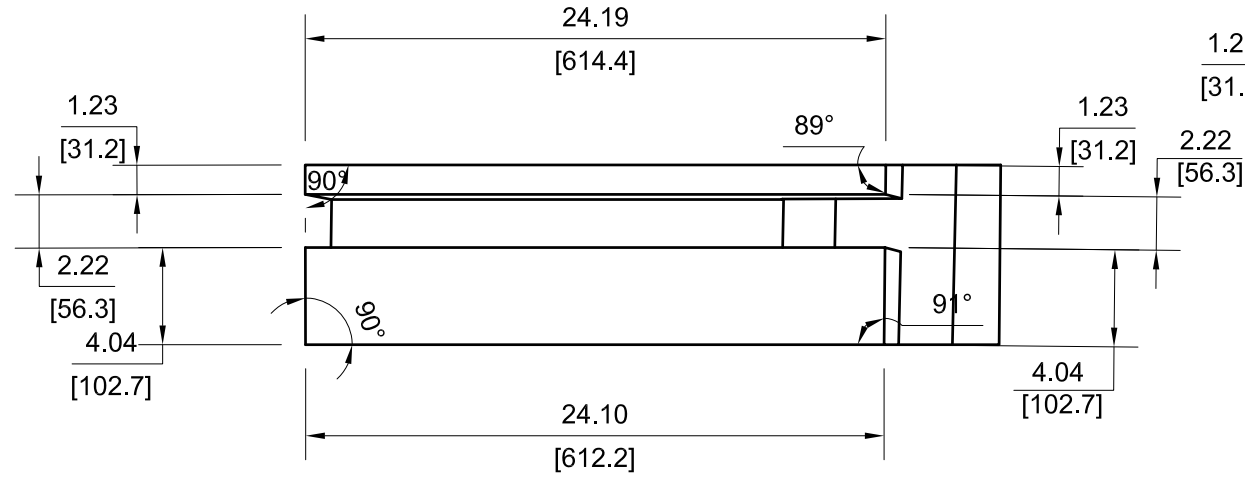
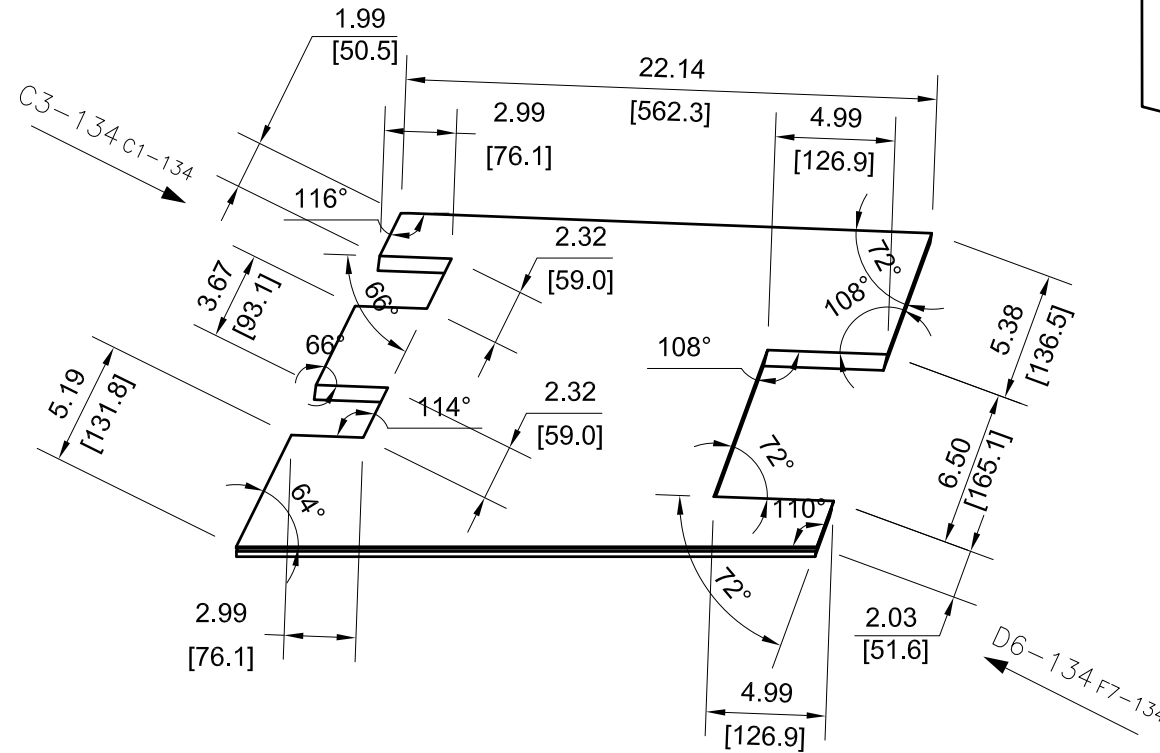
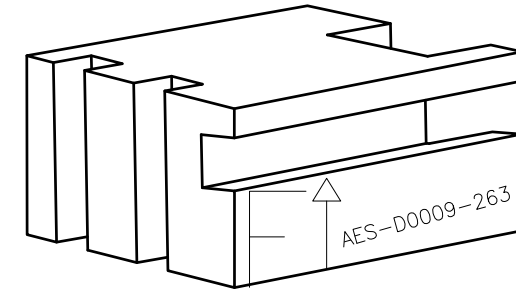
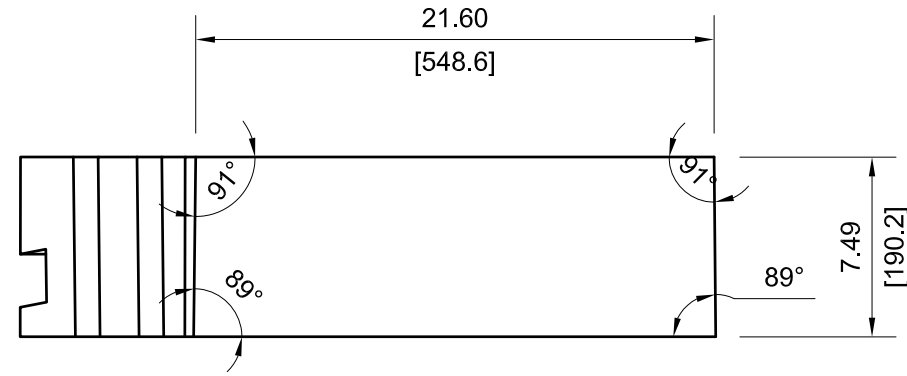
DRAWING NUMBER					AES-D0009				
SIZE	SCALE	SHEET	OF	REVISION					
A3	NONE	133	190	B					

263

VIEW C3-134



VIEW C3-134 REPEATED FOR CLARITY PURPOSES

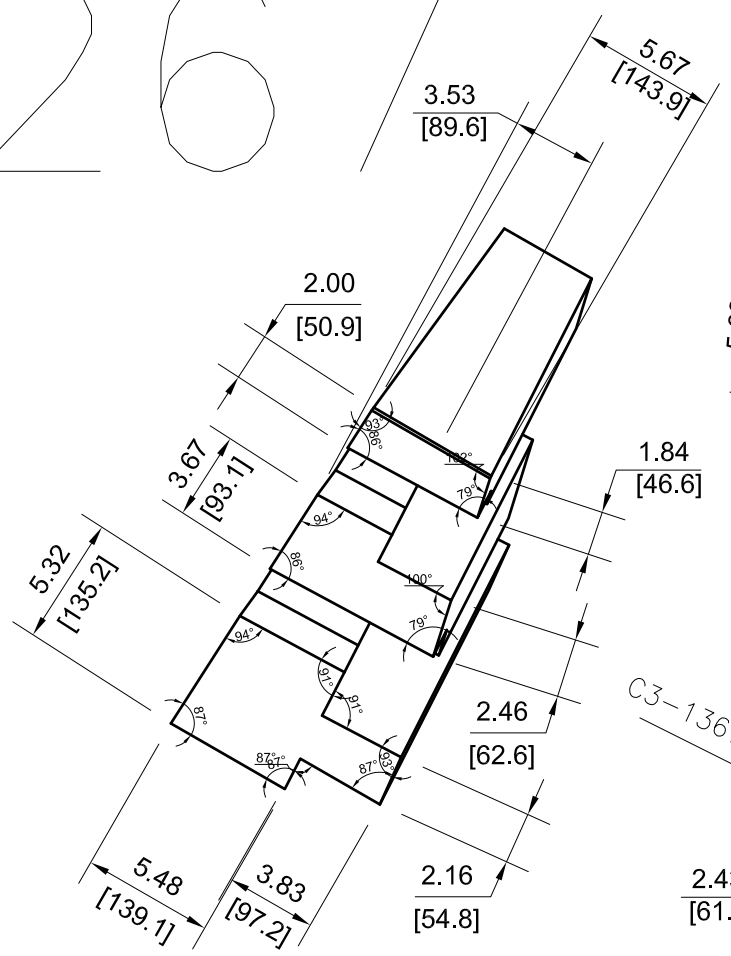


VIEW D6-134

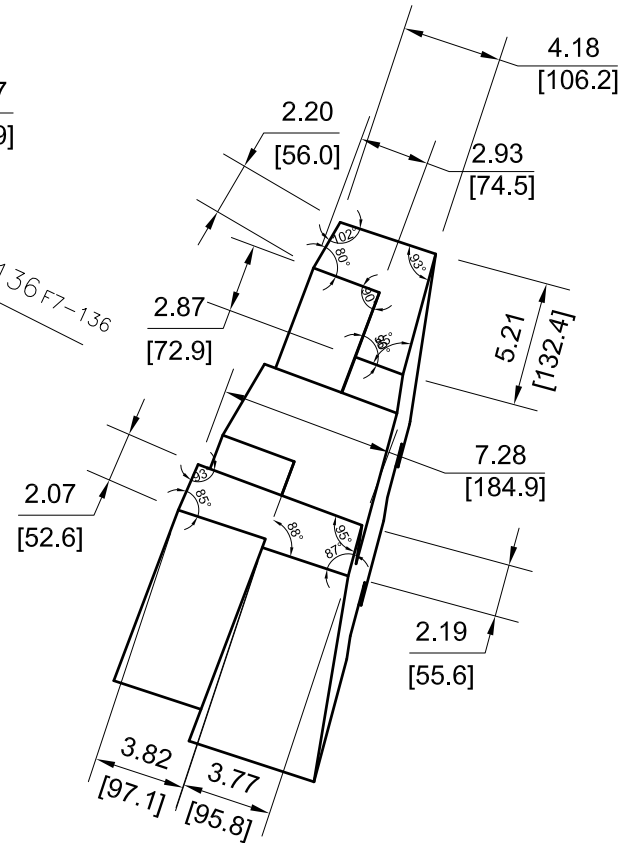
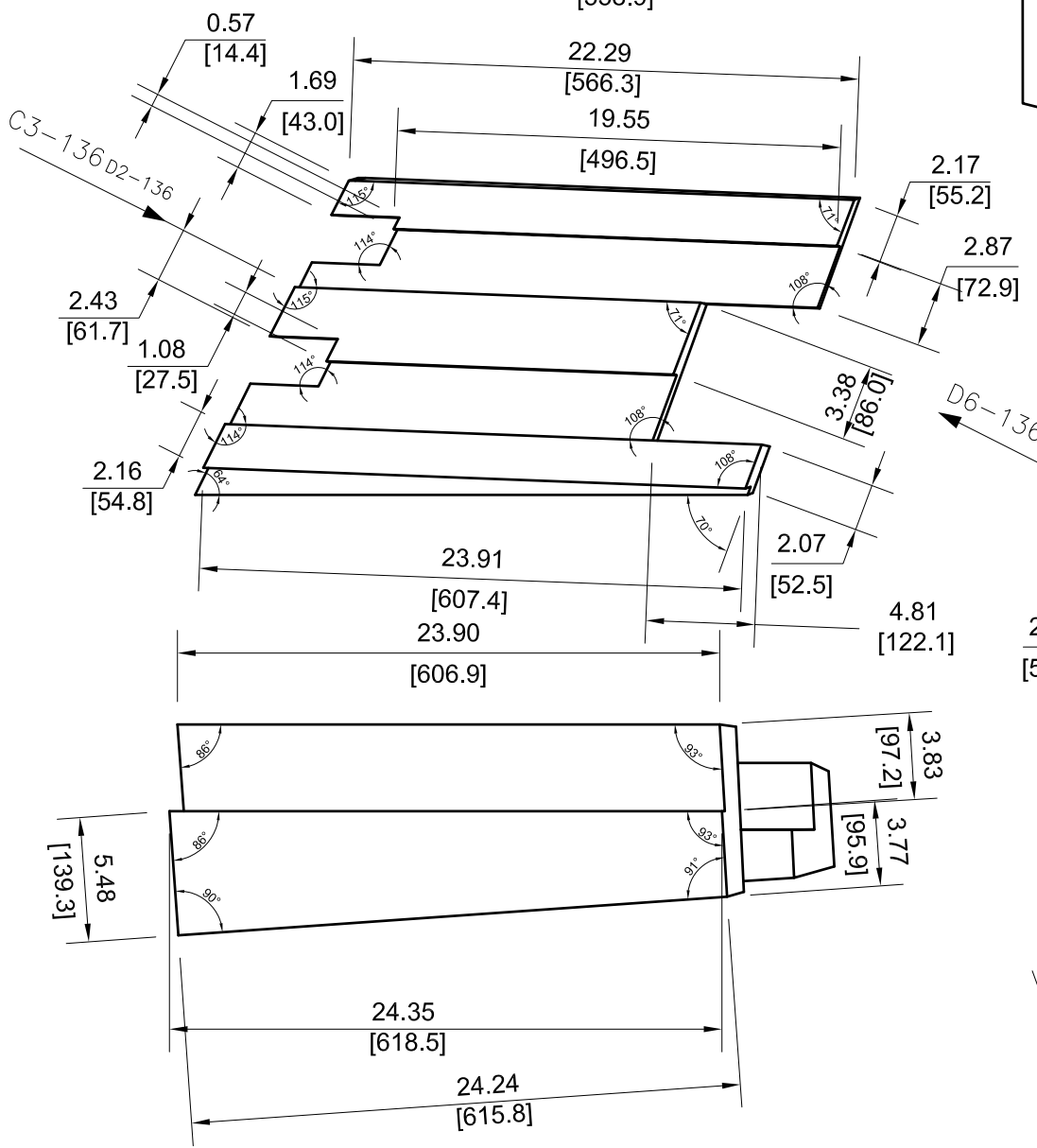
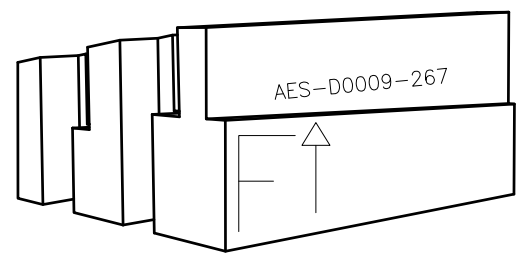
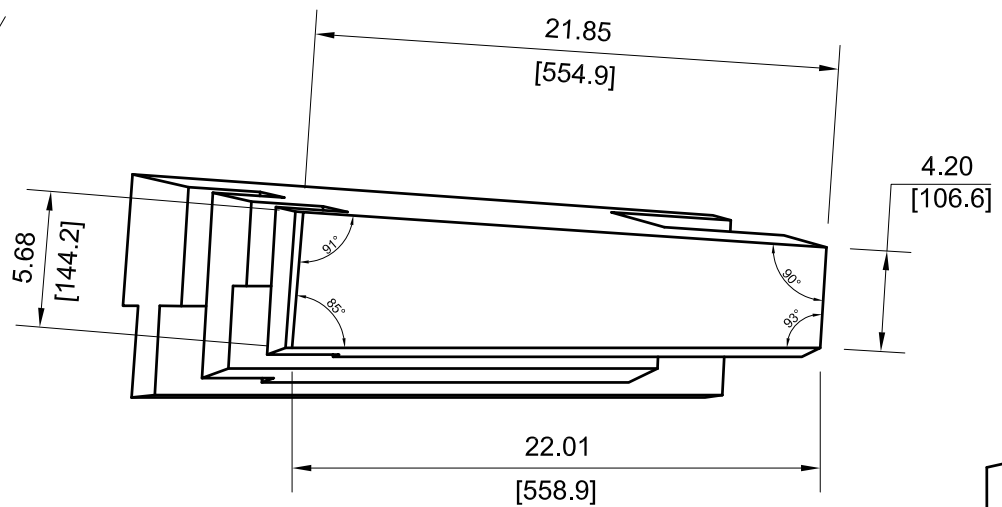


DRAWING NUMBER				
AES-D0009				
SIZE	SCALE	SHEET	OF	REVISION
A3	NONE	134	190	B

267



VIEW C3-136



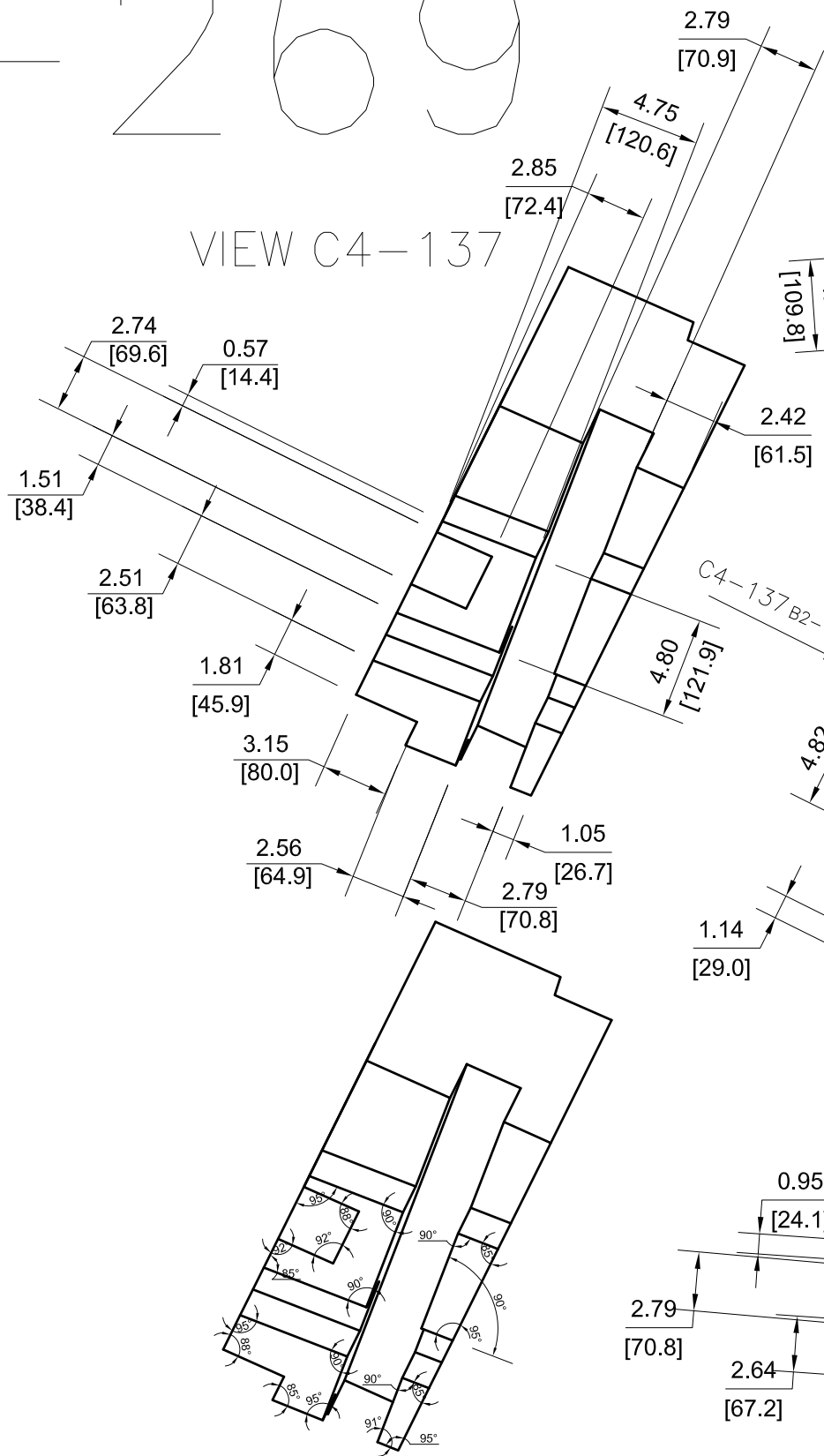
VIEW D6-136



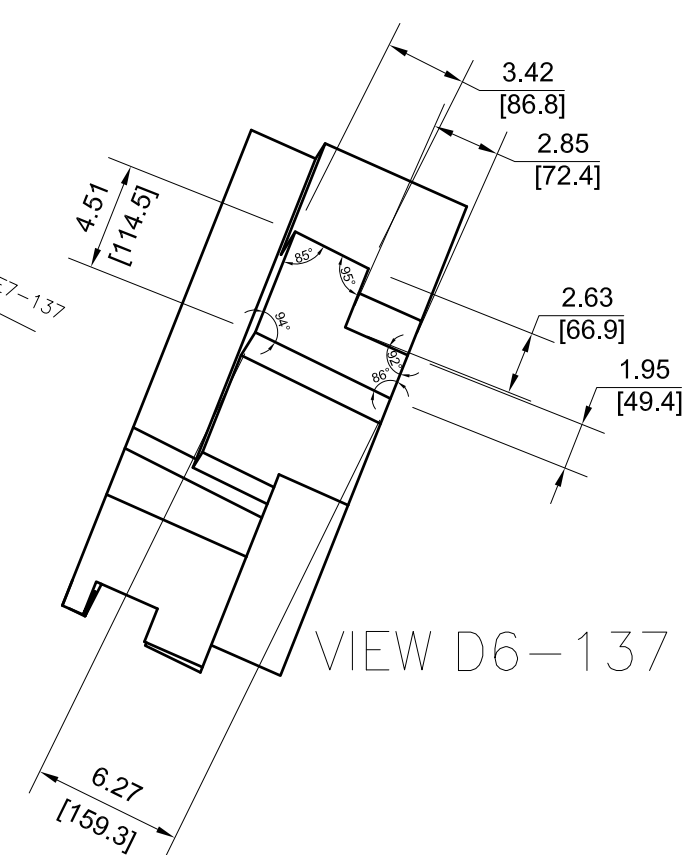
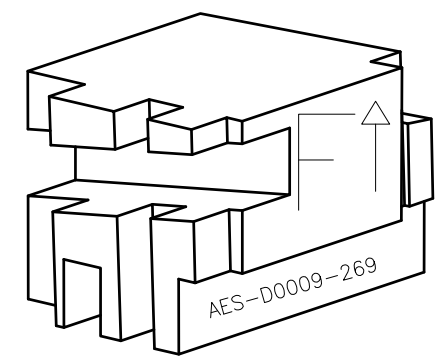
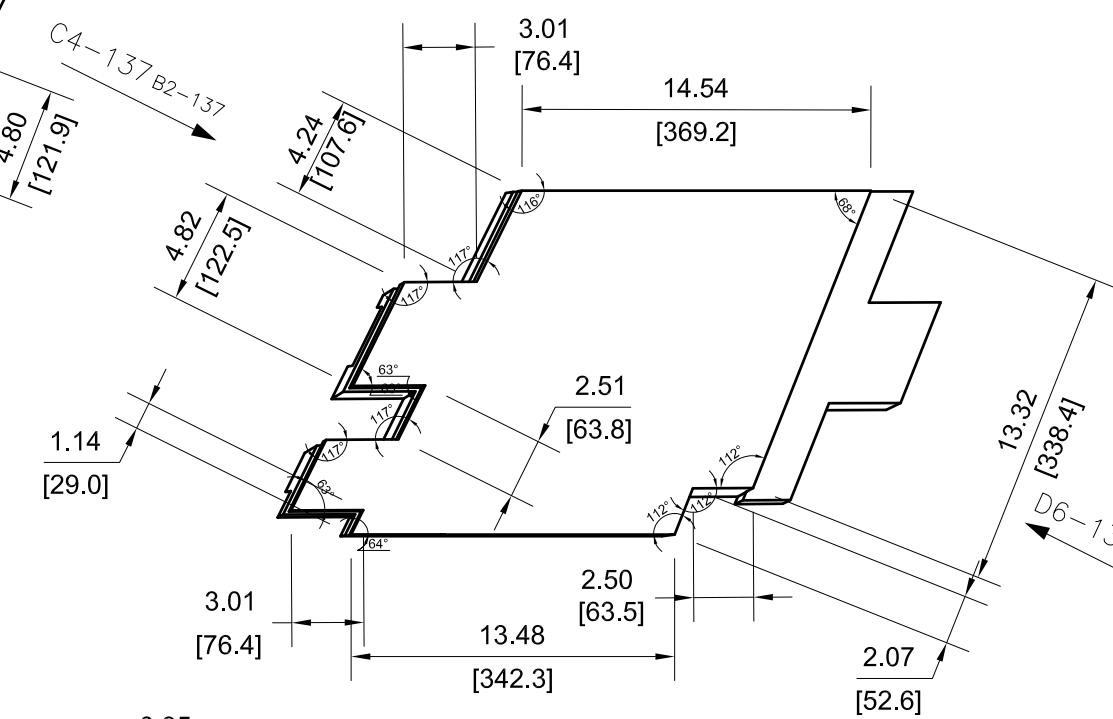
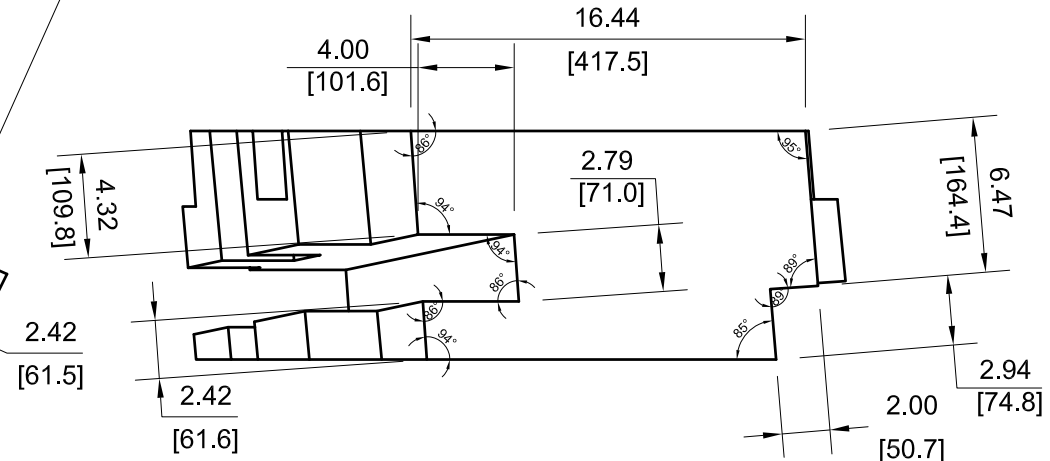
DRAWING NUMBER					AES-D0009				
SIZE	SCALE	SHEET	OF	REVISION					
A3	NONE	136	190	B					

269

VIEW C4-137



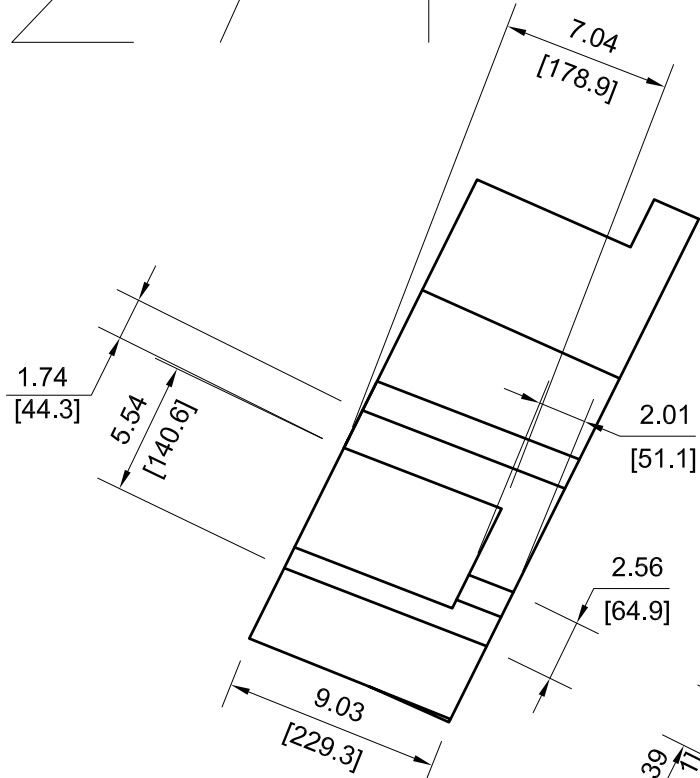
VIEW C4-137 REPEATED FOR CLARITY PURPOSES.



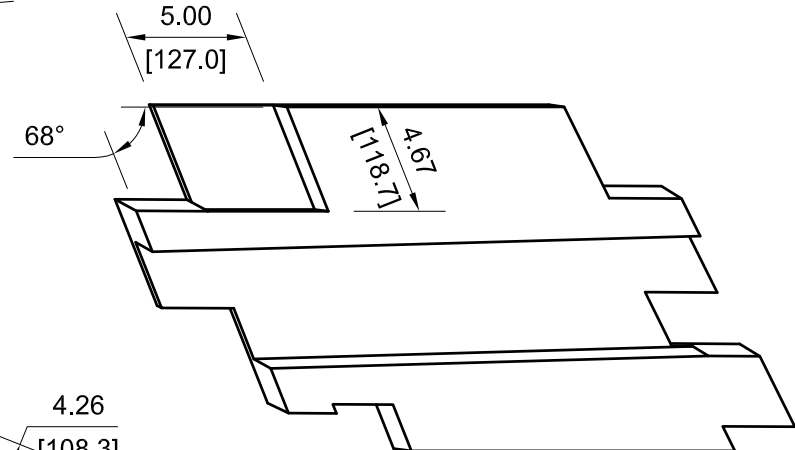
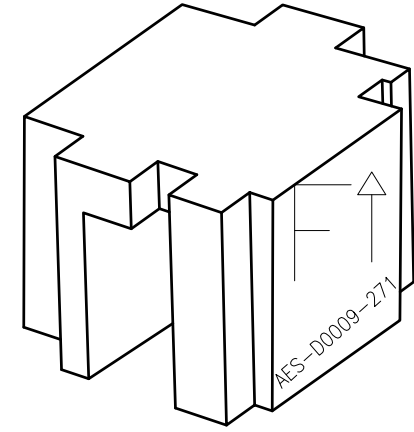
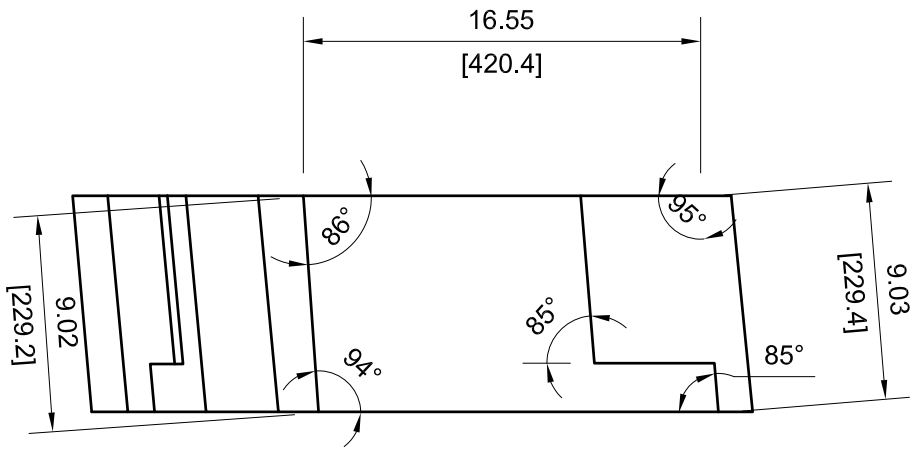
VIEW D6-137

		DRAWING NUMBER			
		AES-D0009			
SIZE	SCALE	SHEET	OF	REVISION	
A3	NONE	137	190	B	

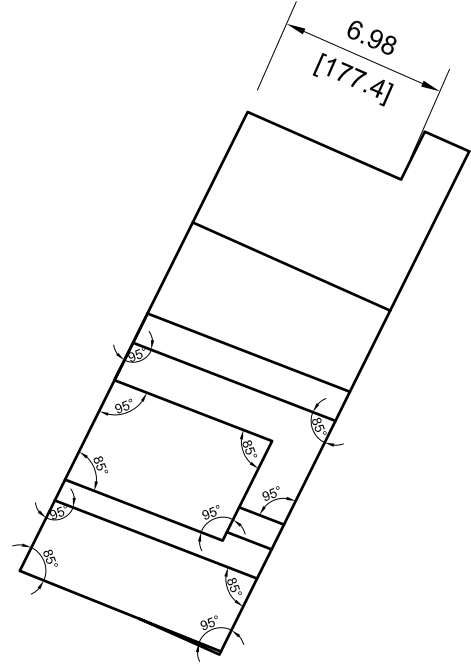
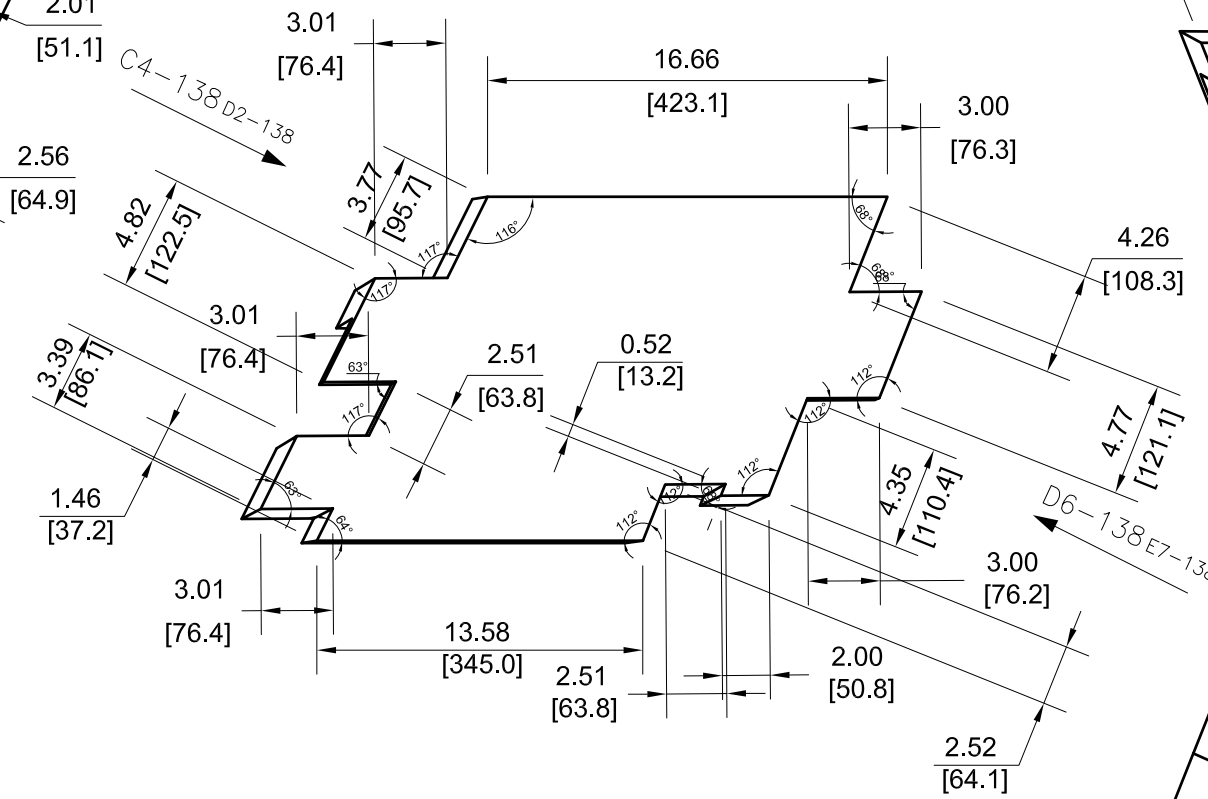
271



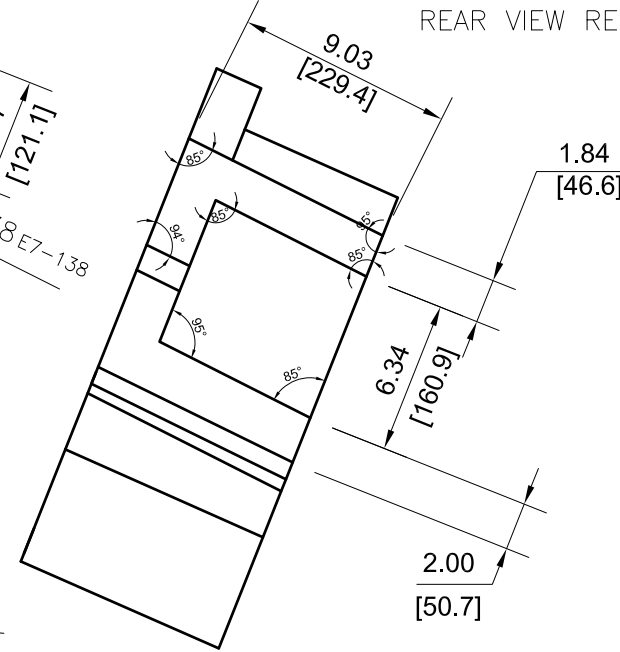
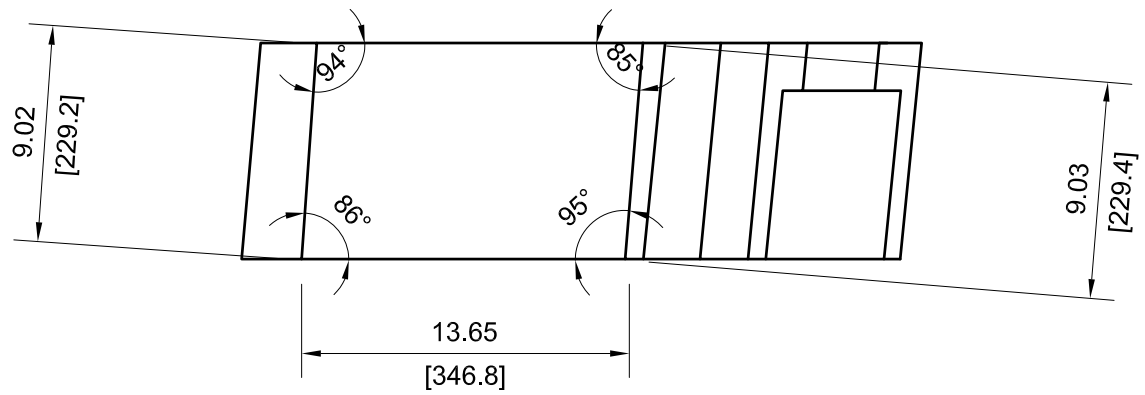
VIEW C4-138



REAR VIEW RELATIVE TO VIEW C5-138



VIEW C4-138 REPEATED FOR CLARITY PURPOSES.

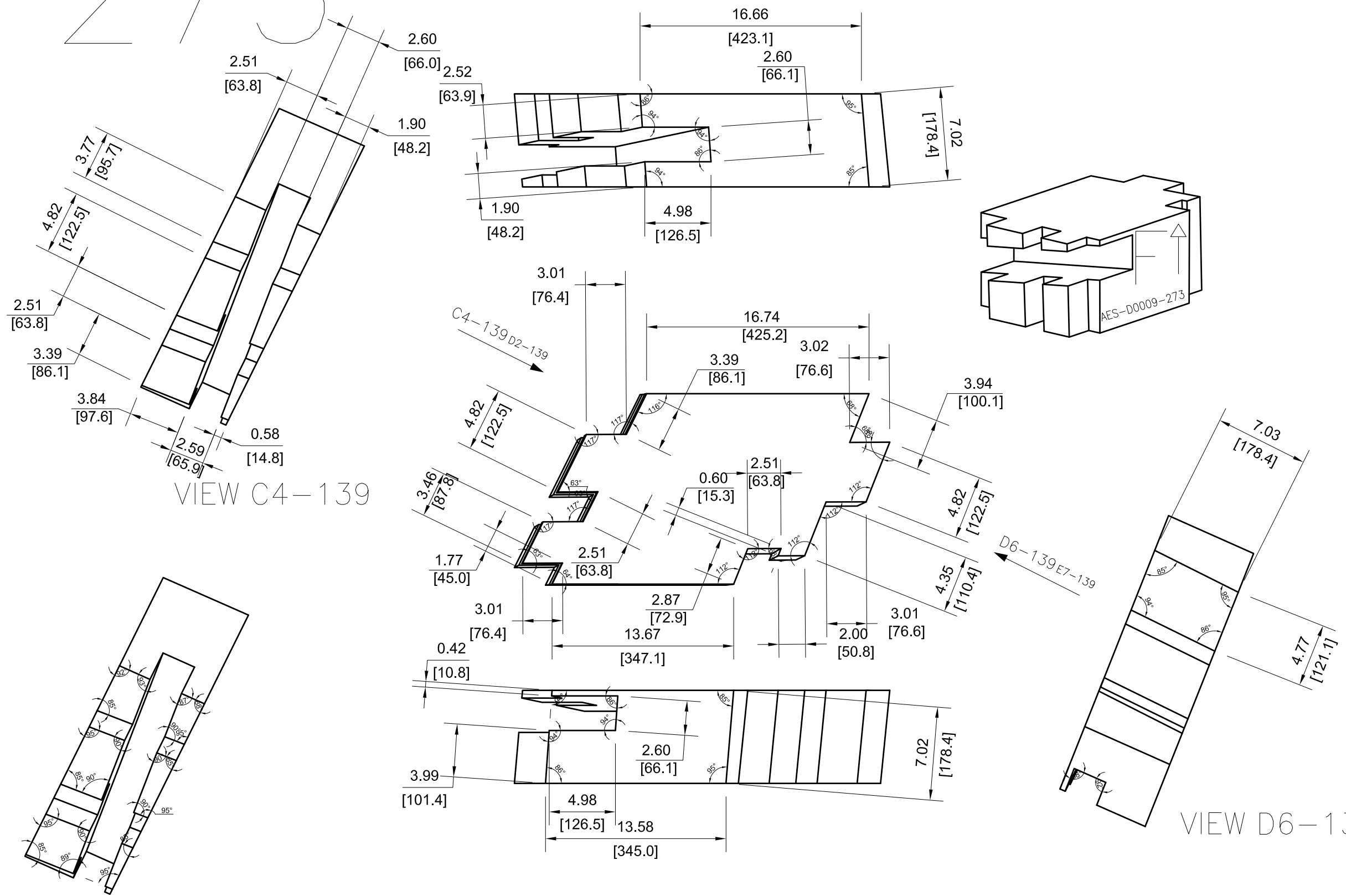


VIEW D6-138



DRAWING NUMBER					AES-D0009	
SIZE	SCALE	SHEET	OF	REVISION		
A3	NONE	138	190	B		


273



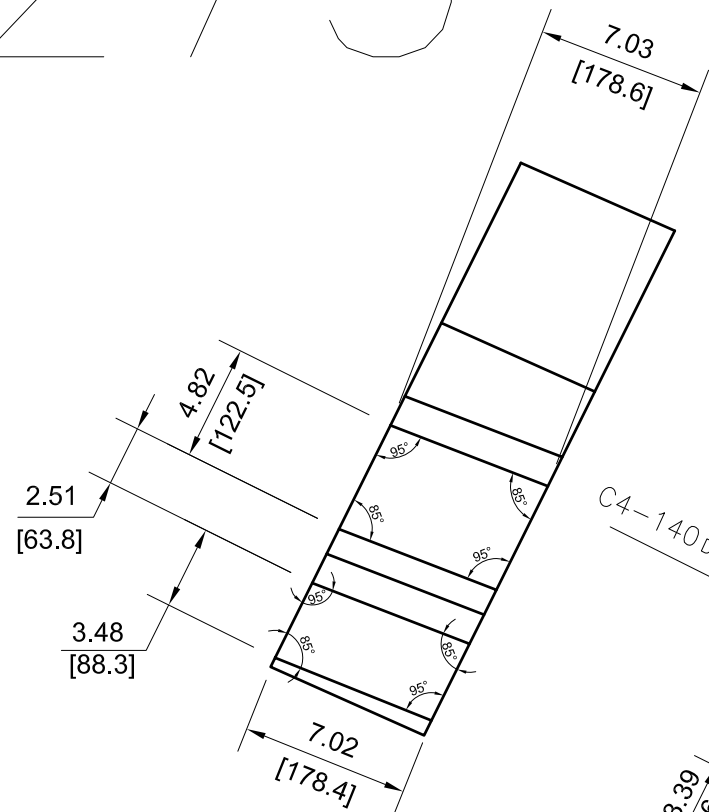
VIEW C4-139

VIEW D6-139

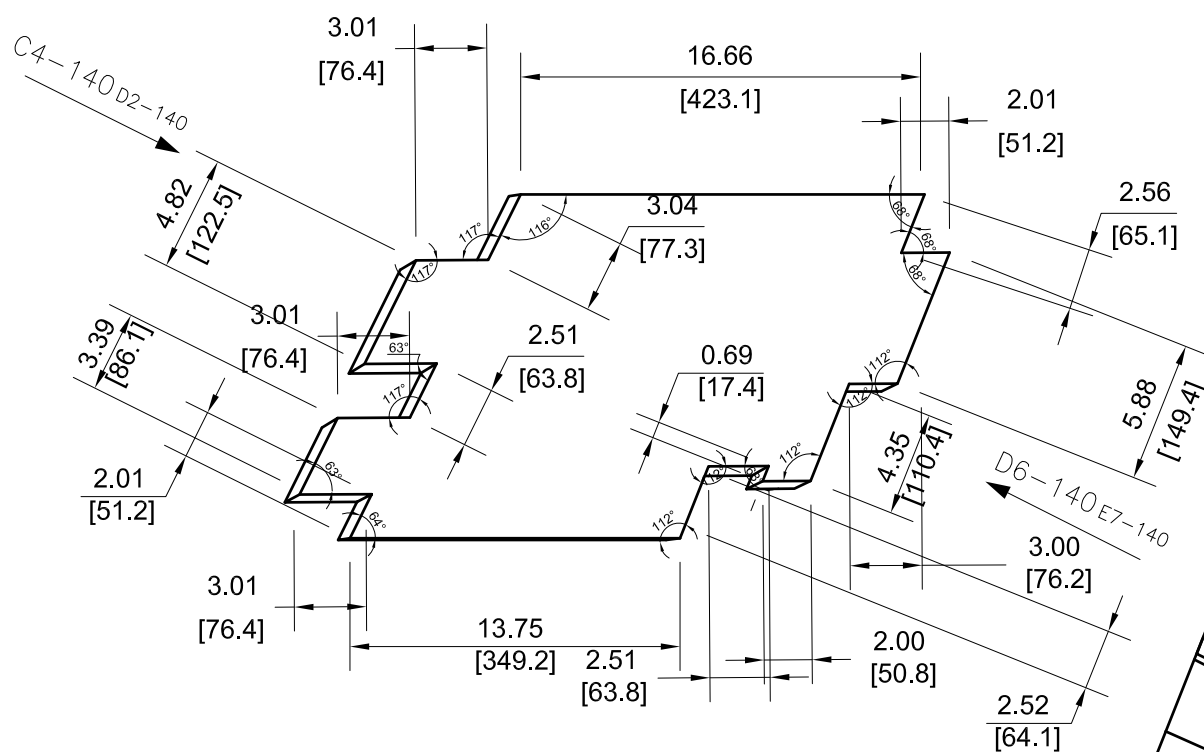
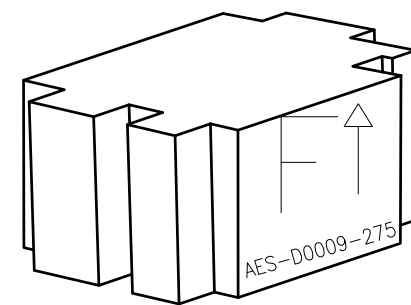
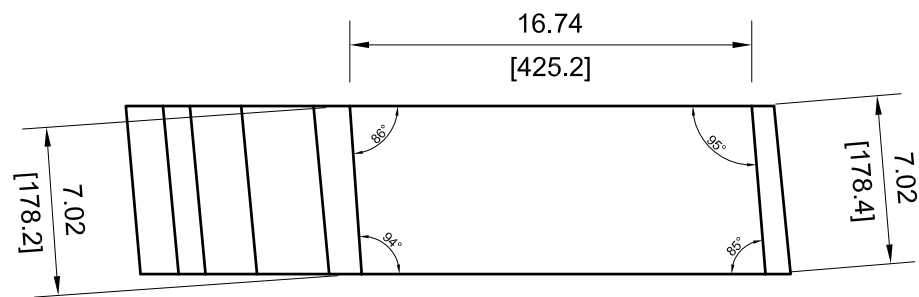
VIEW C4-139 REPEATED FOR CLARITY PURPOSES.

		DRAWING NUMBER			
		AES-D0009			
SIZE	SCALE	SHEET	OF	REVISION	
A3	NONE	139	190	B	

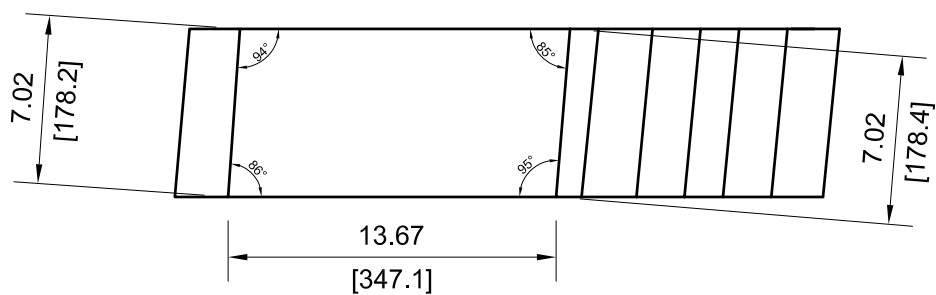
275



VIEW C4-140

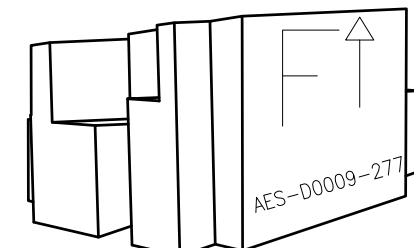
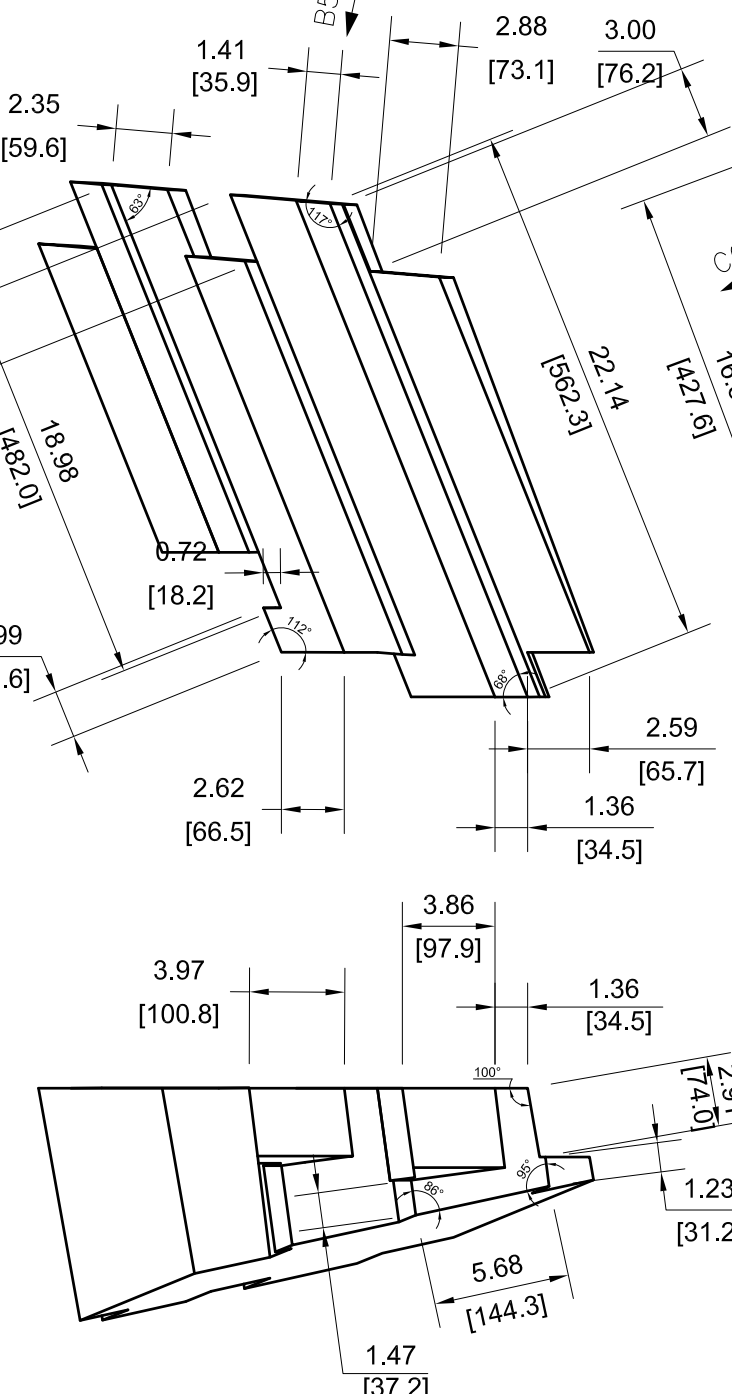
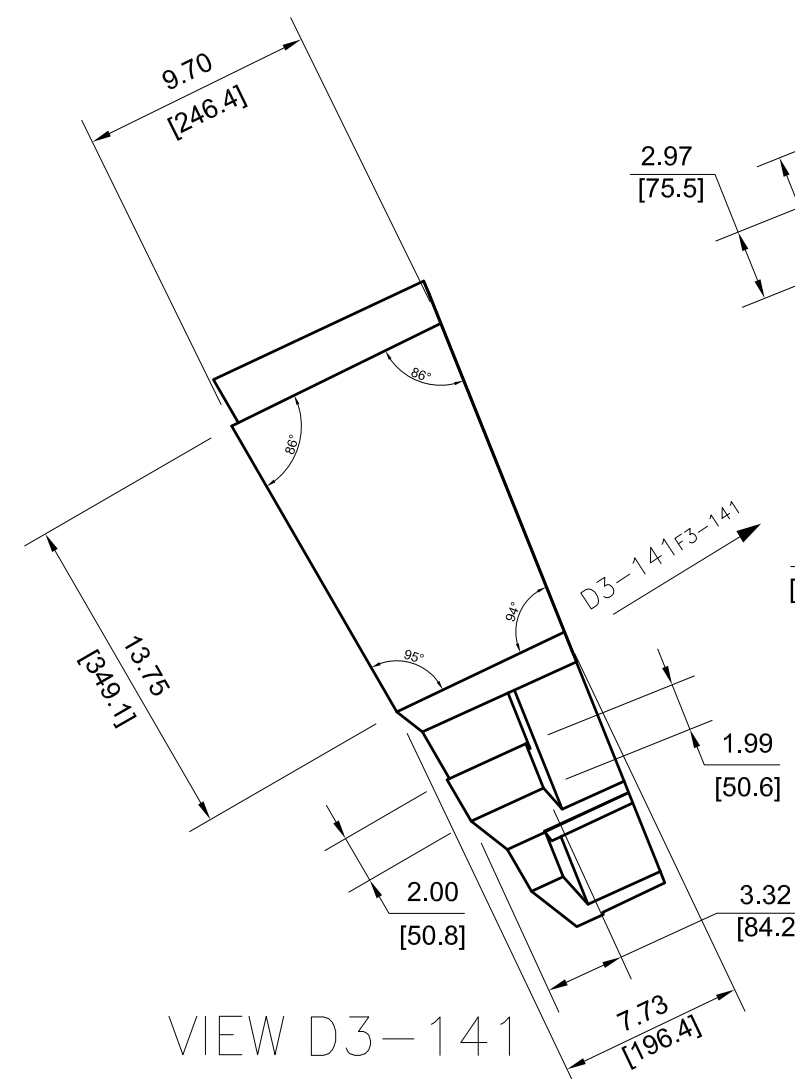
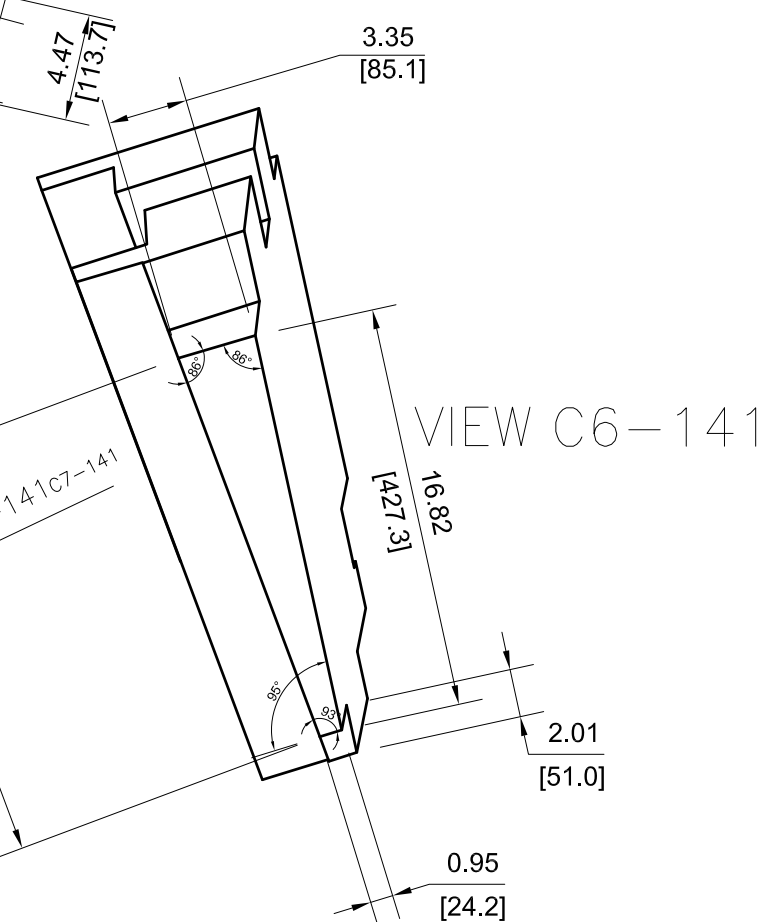



VIEW D6-140



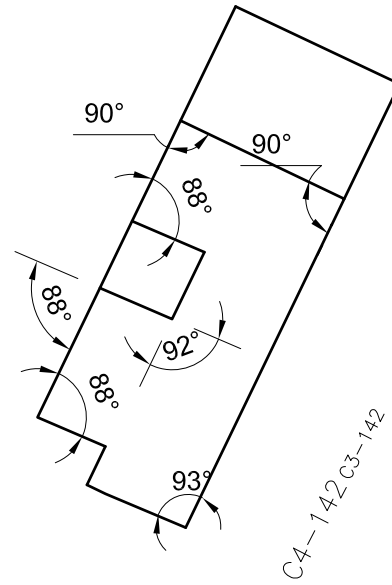
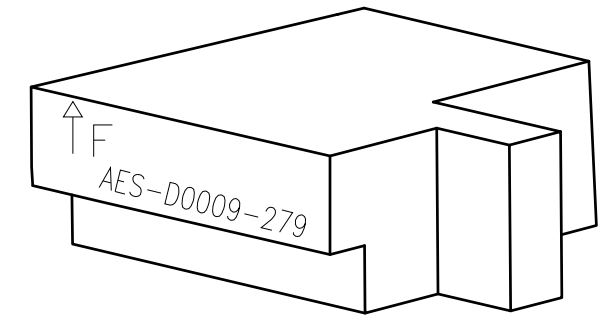
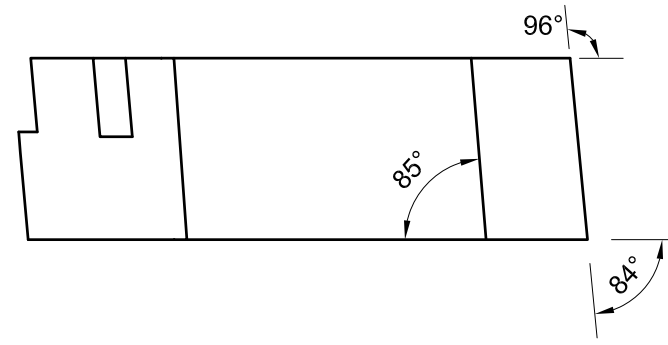
DRAWING NUMBER					AES-D0009	
SIZE	SCALE	SHEET	OF	REVISION		
A3	NONE	140	190	B		

277

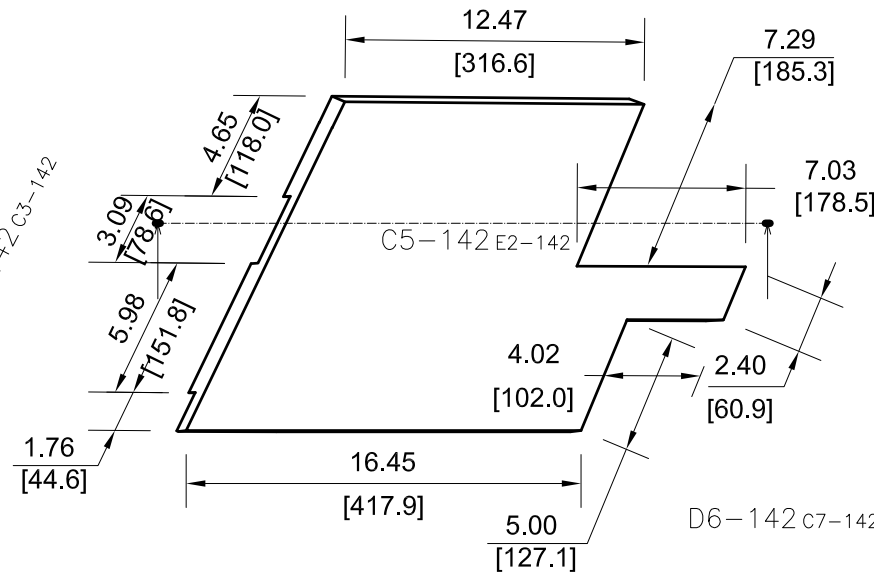


		DRAWING NUMBER			
		AES-D0009			
SIZE	SCALE	SHEET	OF	REVISION	
A3	NONE	141	190	B	

279

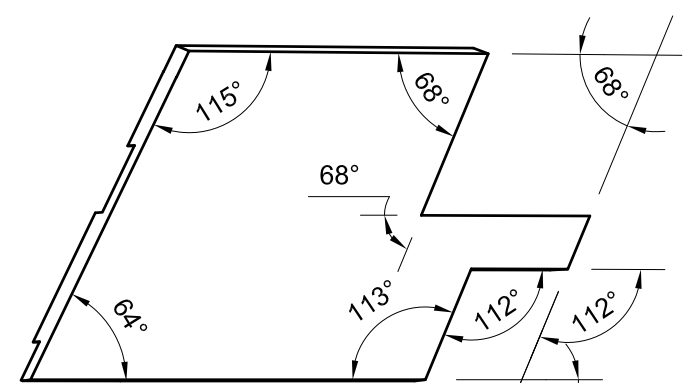
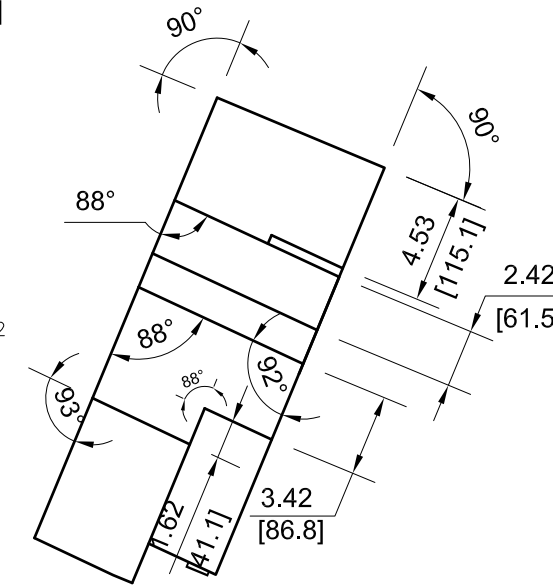


VIEW C4-142

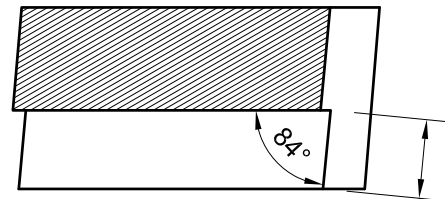


D6-142 C7-142

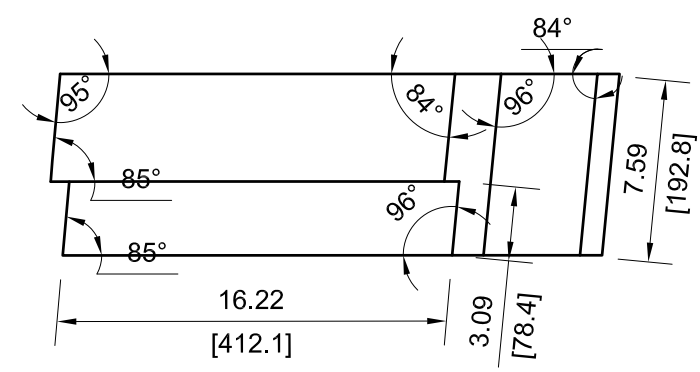
VIEW D6-142



VIEW C5-142 REPEATED FOR CLARITY PURPOSES.

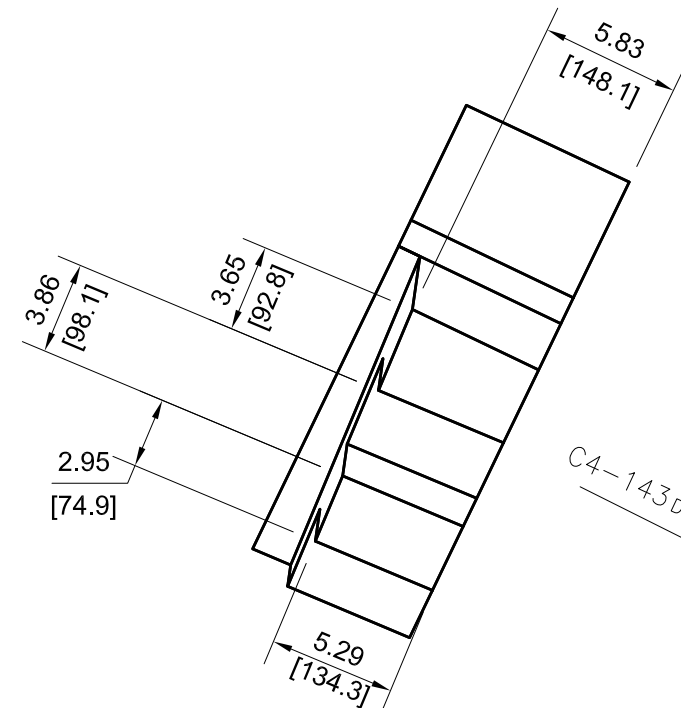


SECTION VIEW C5-142

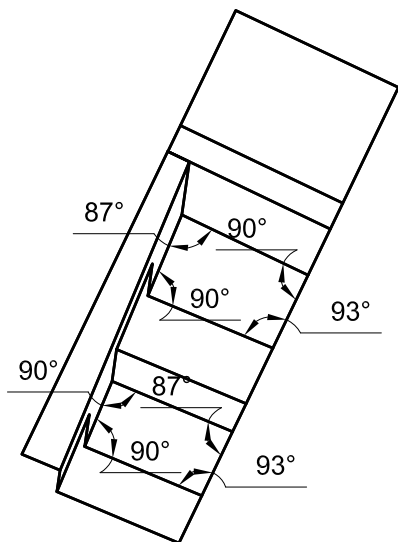


	DRAWING NUMBER				
	AES-D0009				
SIZE	SCALE	SHEET	OF	REVISION	
A3	NONE	142	190	B	

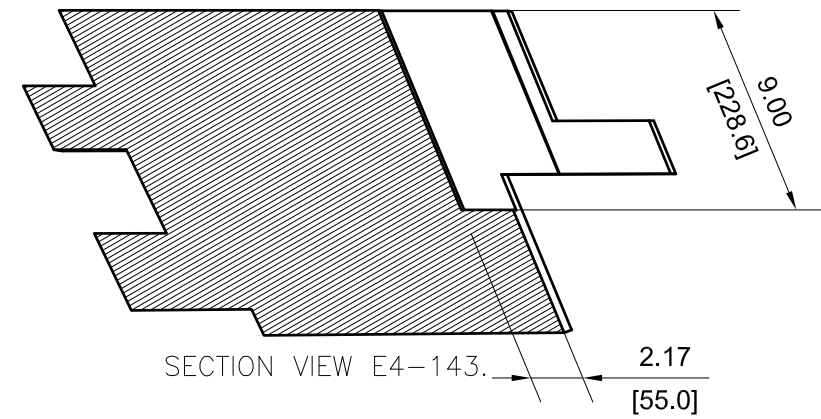
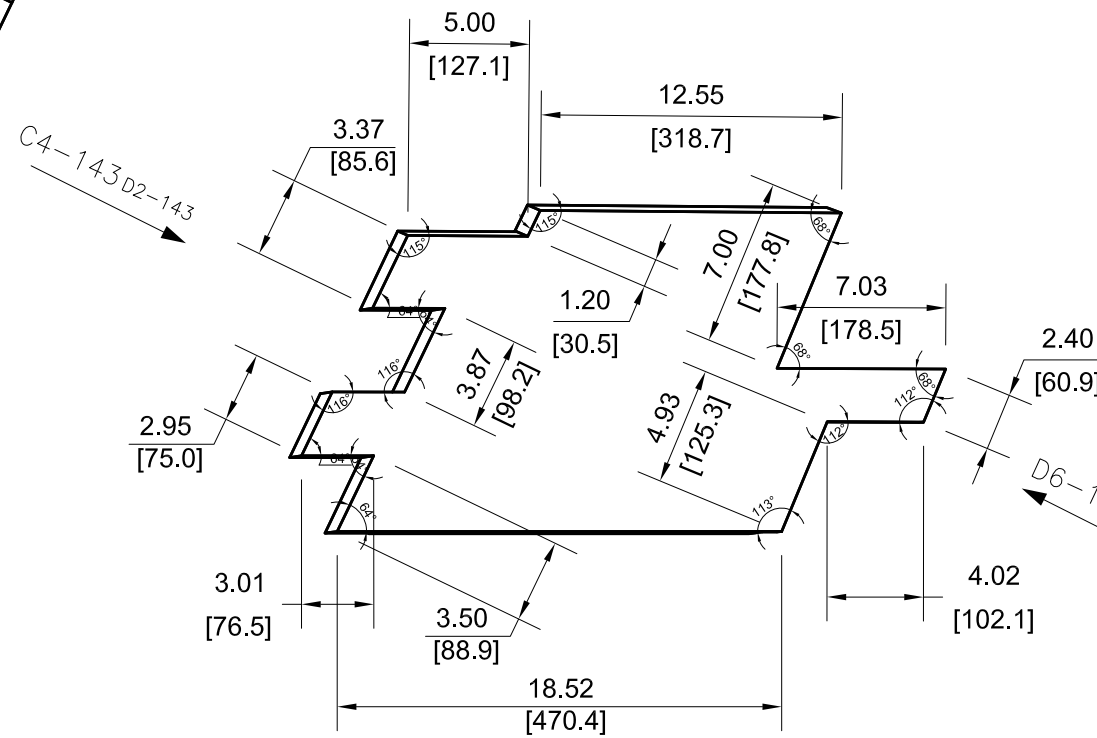
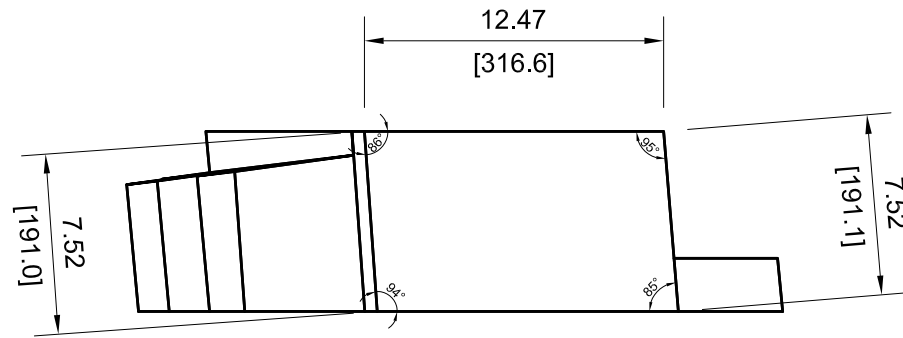
281



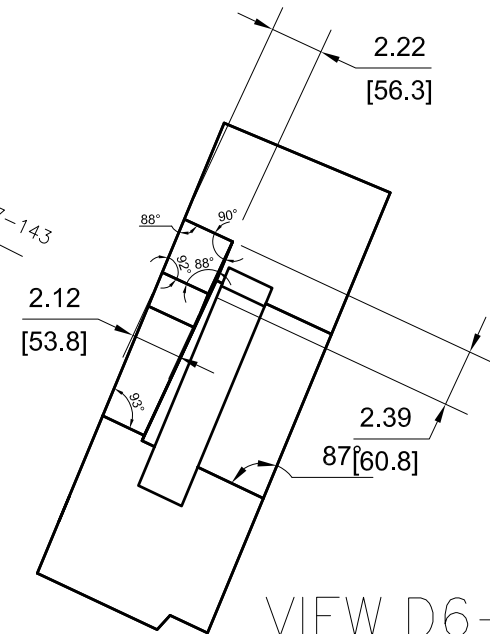
VIEW C4-143



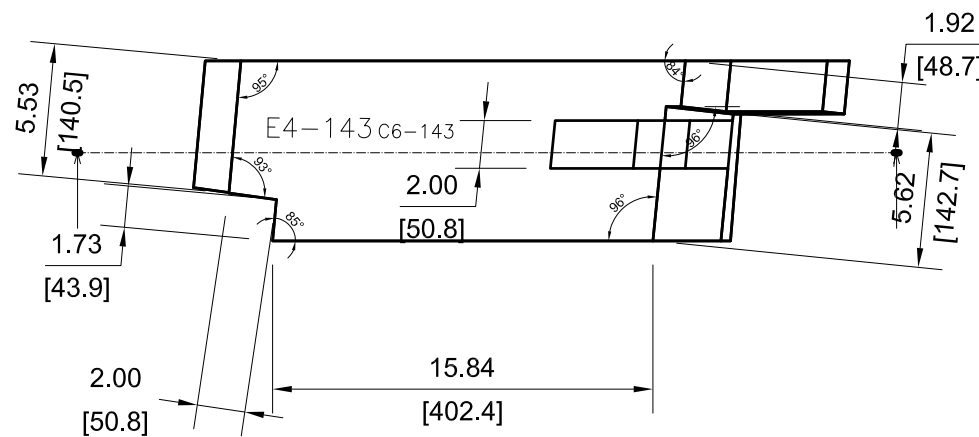
VIEW C4-143 REPEATED FOR CLARITY PURPOSES.



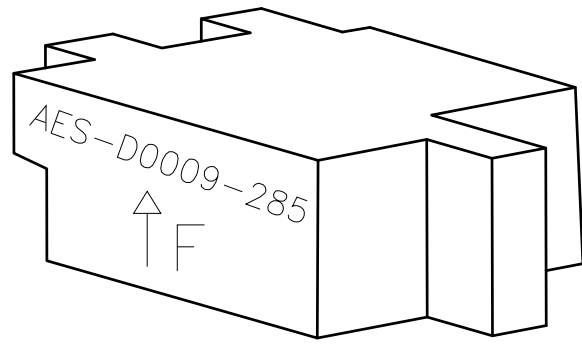
SECTION VIEW E4-143.



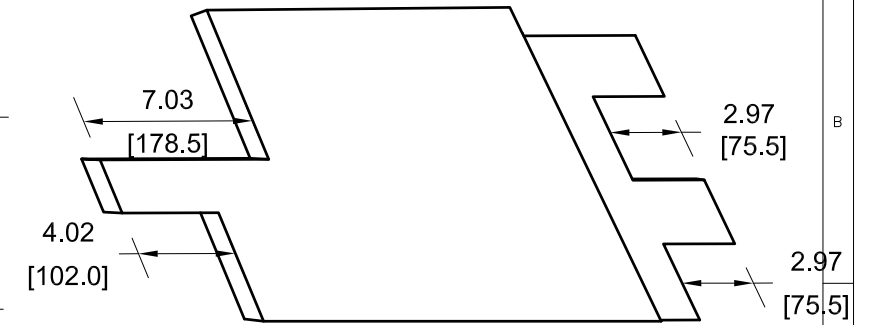
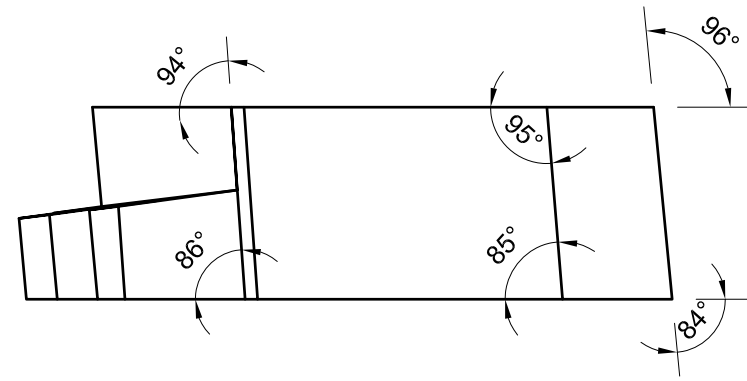
VIEW D6-143



DRAWING NUMBER				
AES-D0009				
SIZE	SCALE	SHEET	OF	REVISION
A3	NONE	143	190	B

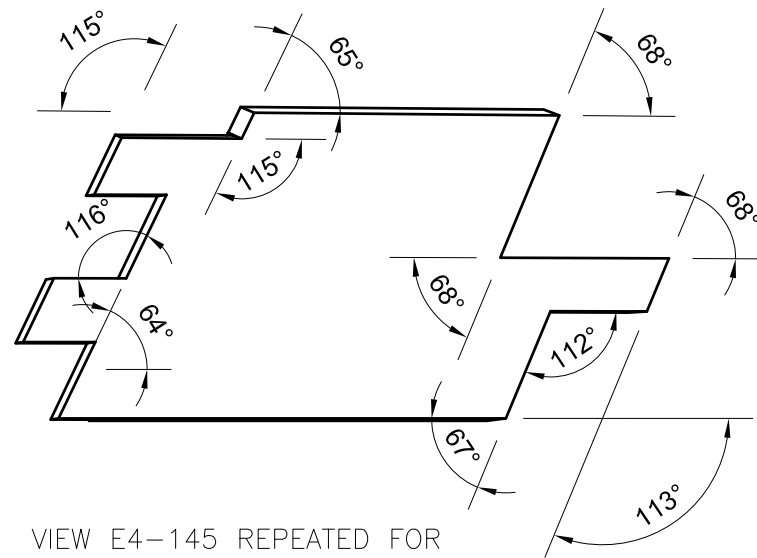
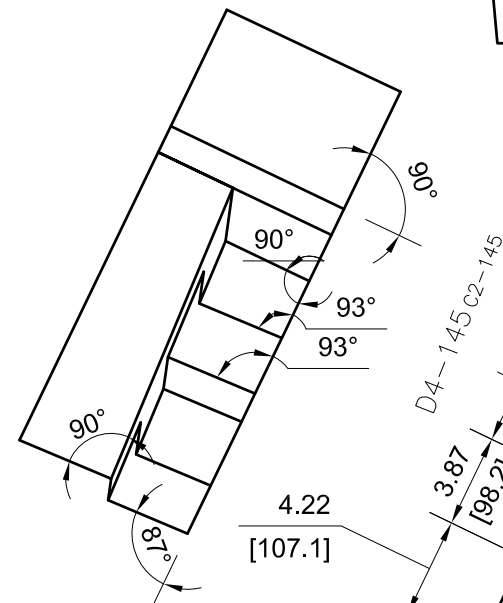


285

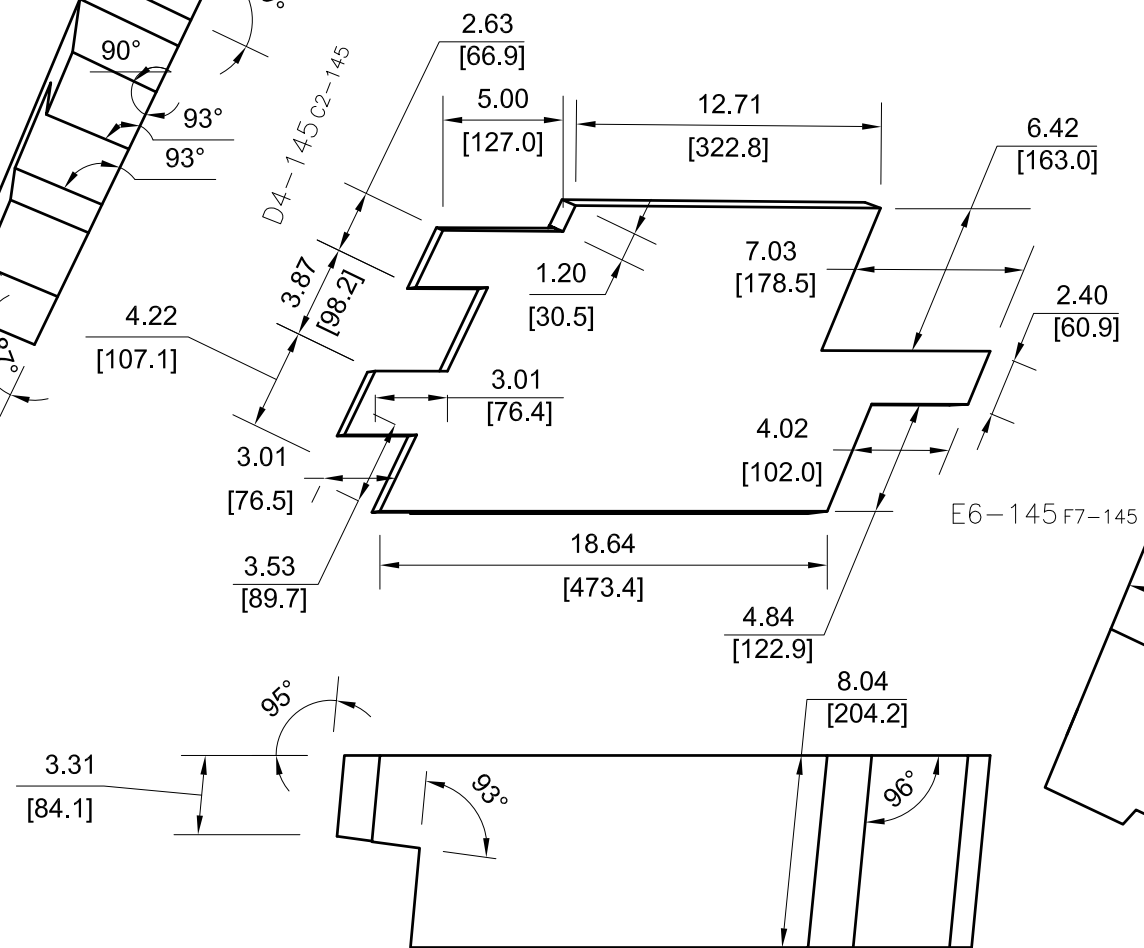


REAR VIEW RELATIVE TO VIEW D5-145

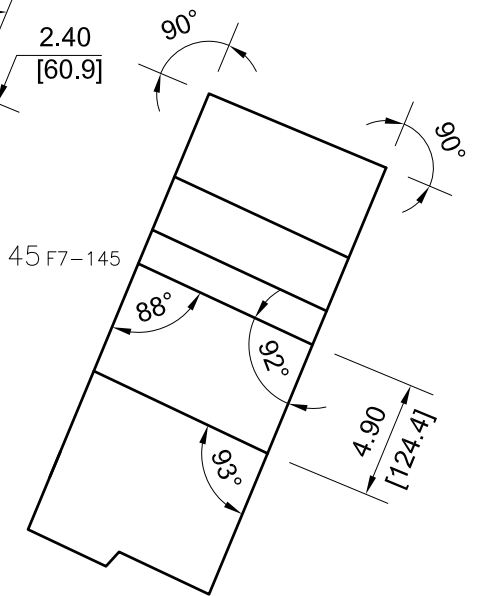
VIEW D4-145



VIEW E4-145 REPEATED FOR CLARITY PURPOSES.



E6-145 F7-145

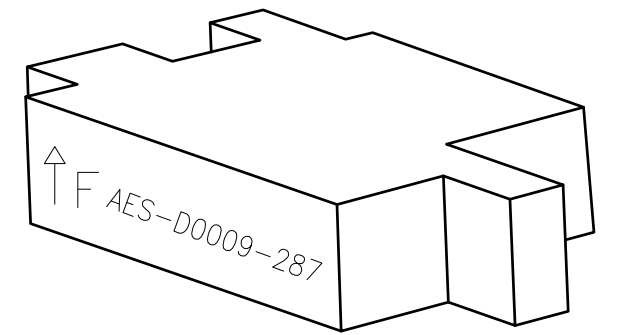


VIEW E6-145

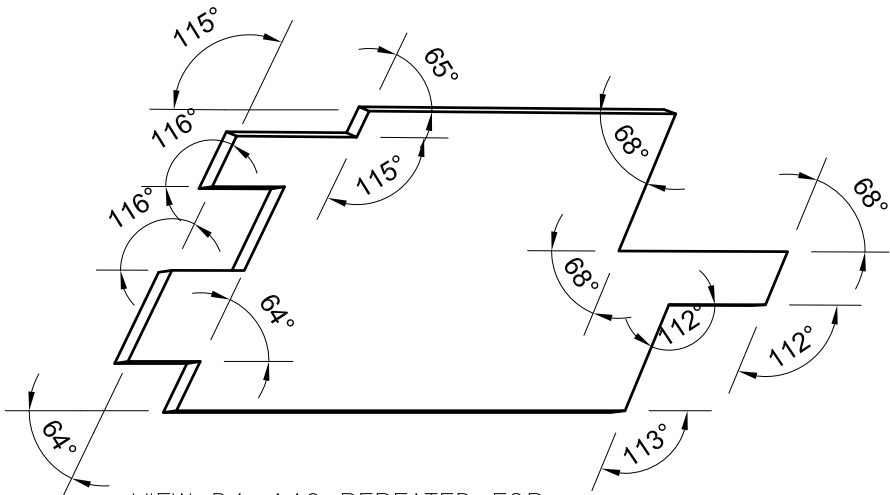
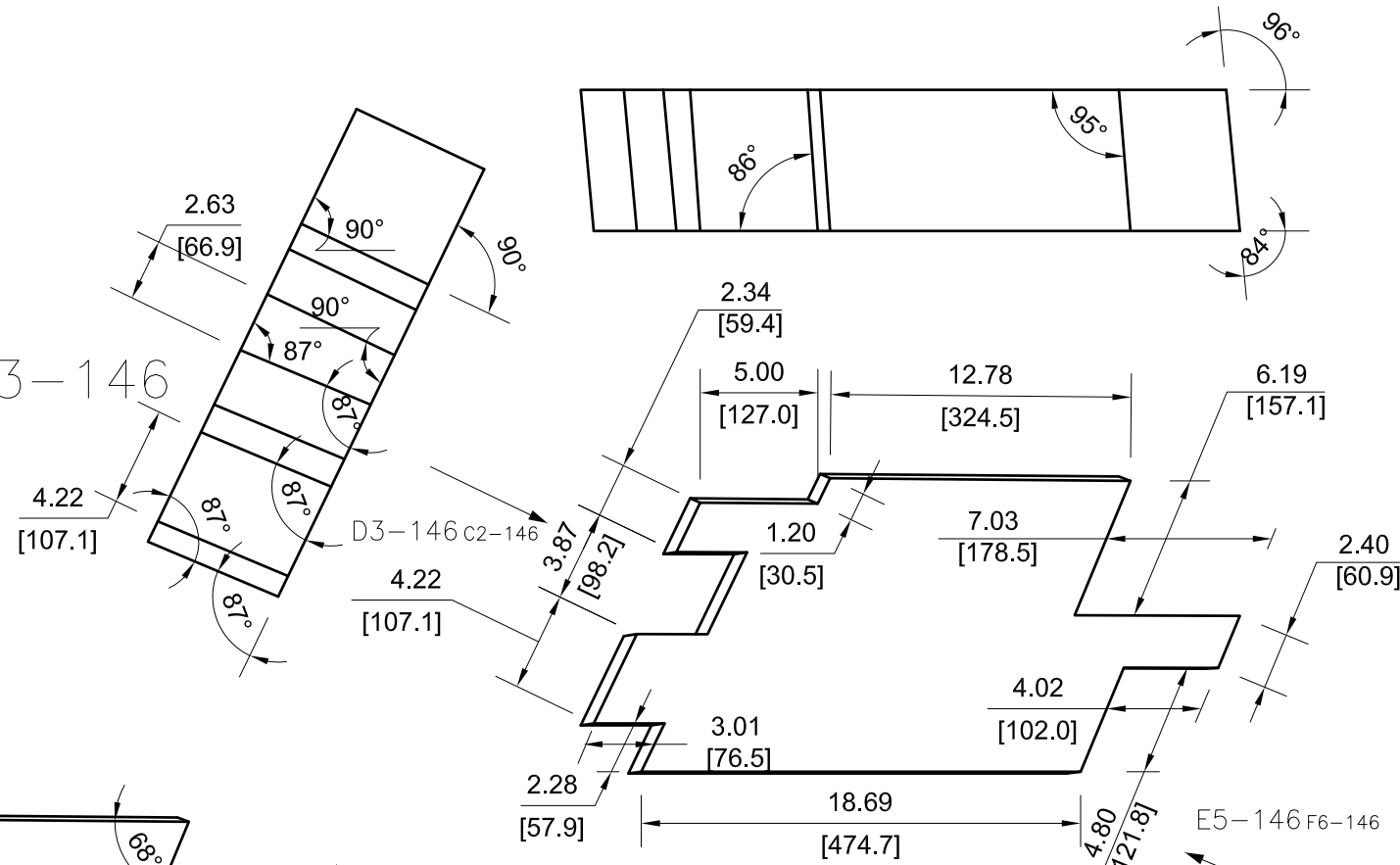


DRAWING NUMBER					AES-D0009				
SIZE	SCALE	SHEET	OF	REVISION					
A3	NONE	145	190	B					

— 287

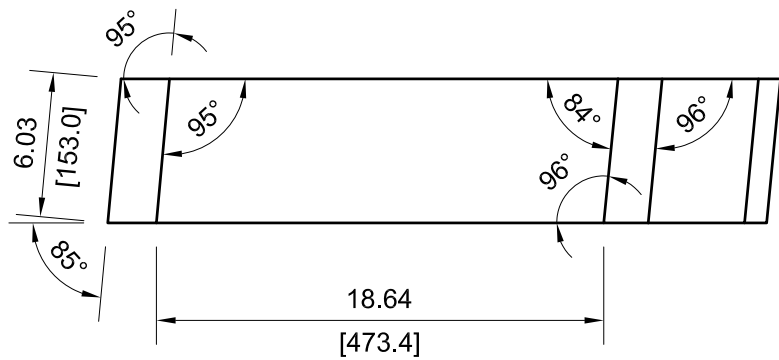


VIEW D3-146



VIEW D4-146 REPEATED FOR CLARITY PURPOSES.

VIEW E5-146

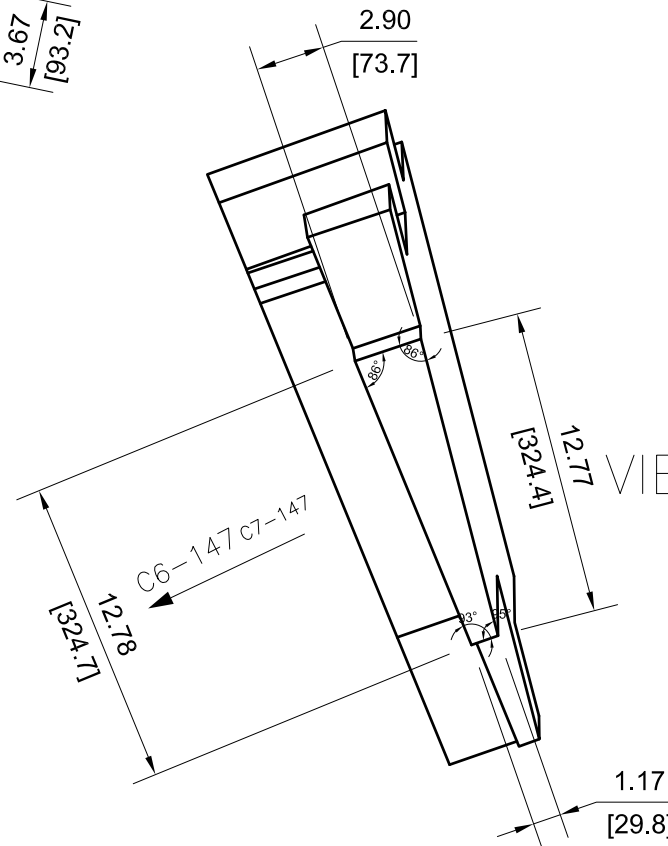
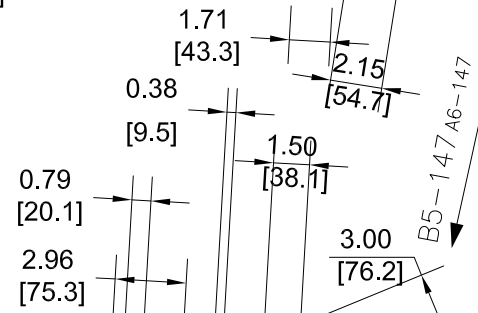


DRAWING NUMBER				
AES-D0009				
SIZE	SCALE	SHEET	OF	REVISION
A3	NONE	146	190	B

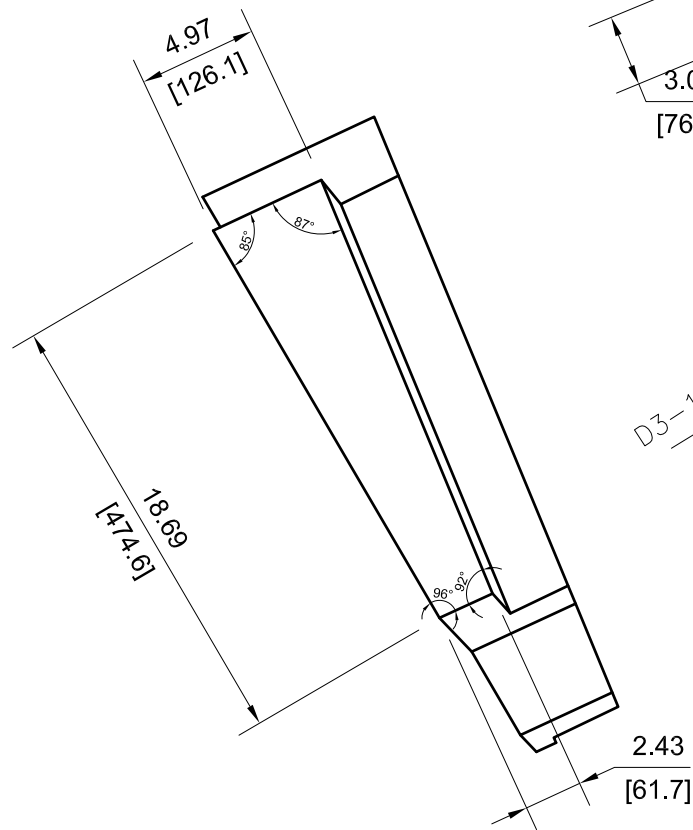
289



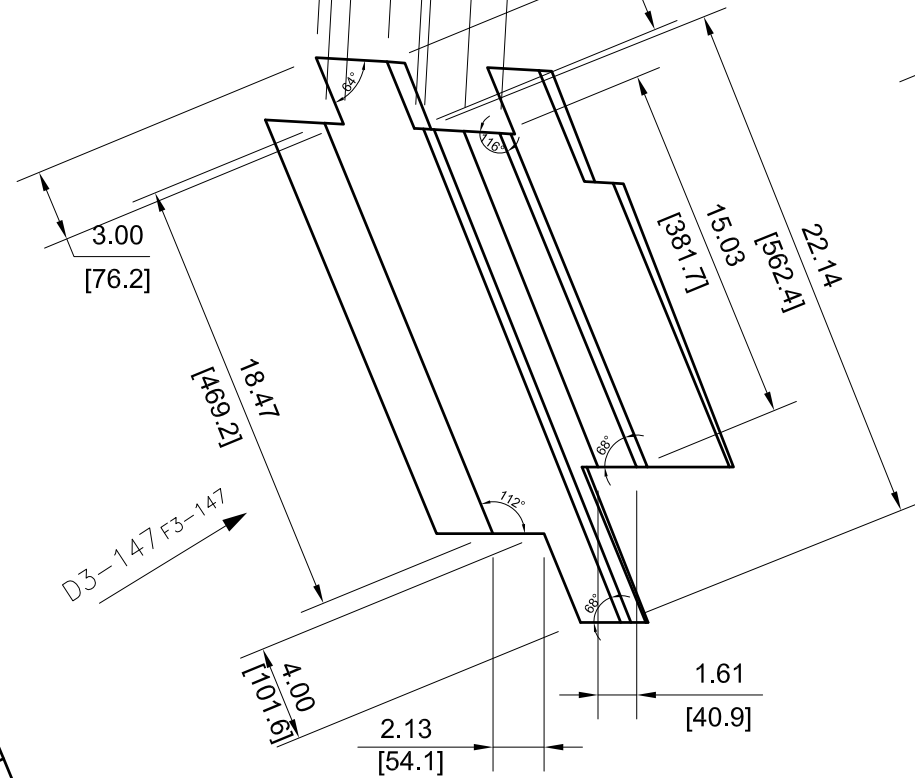
VIEW B5-147



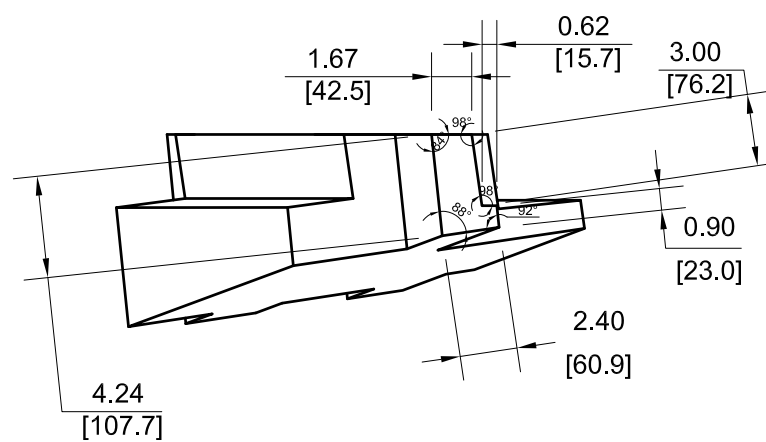
VIEW C6-147



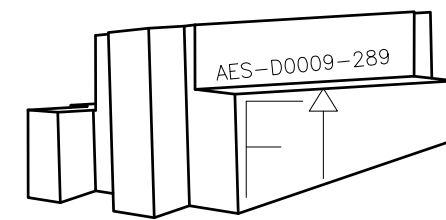
VIEW D3-147



D3-147 F3-147

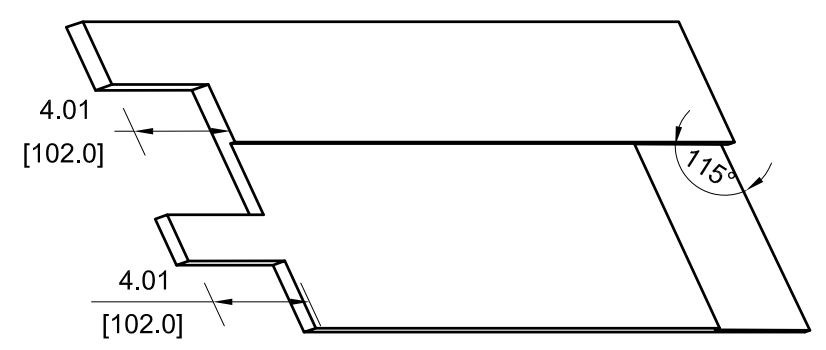
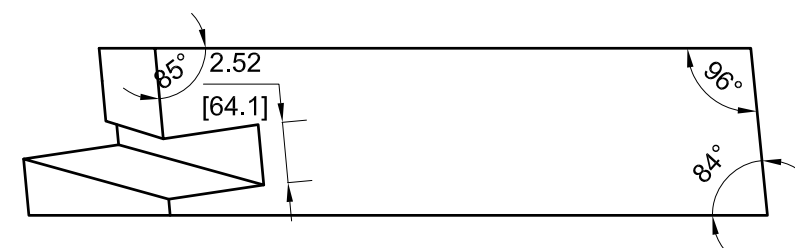
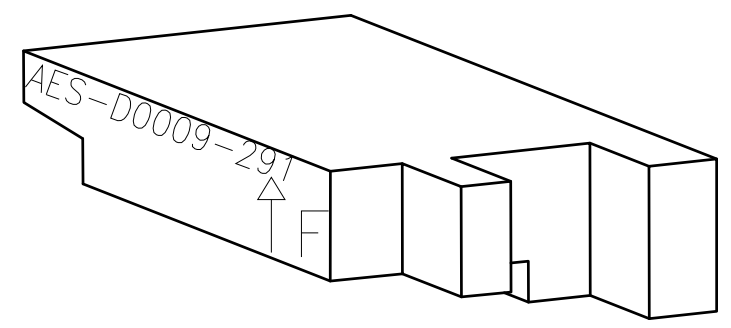


B5-147 A6-147



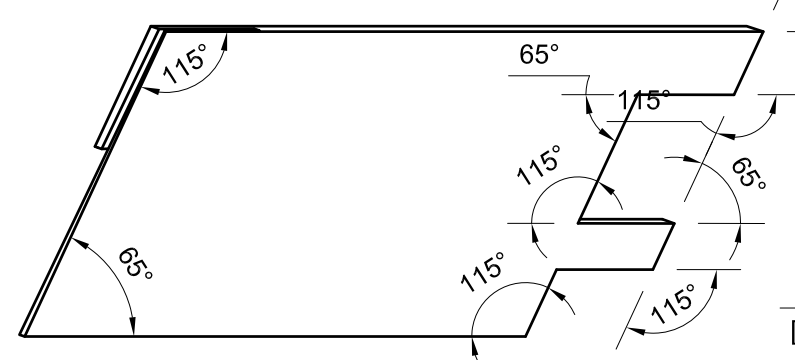
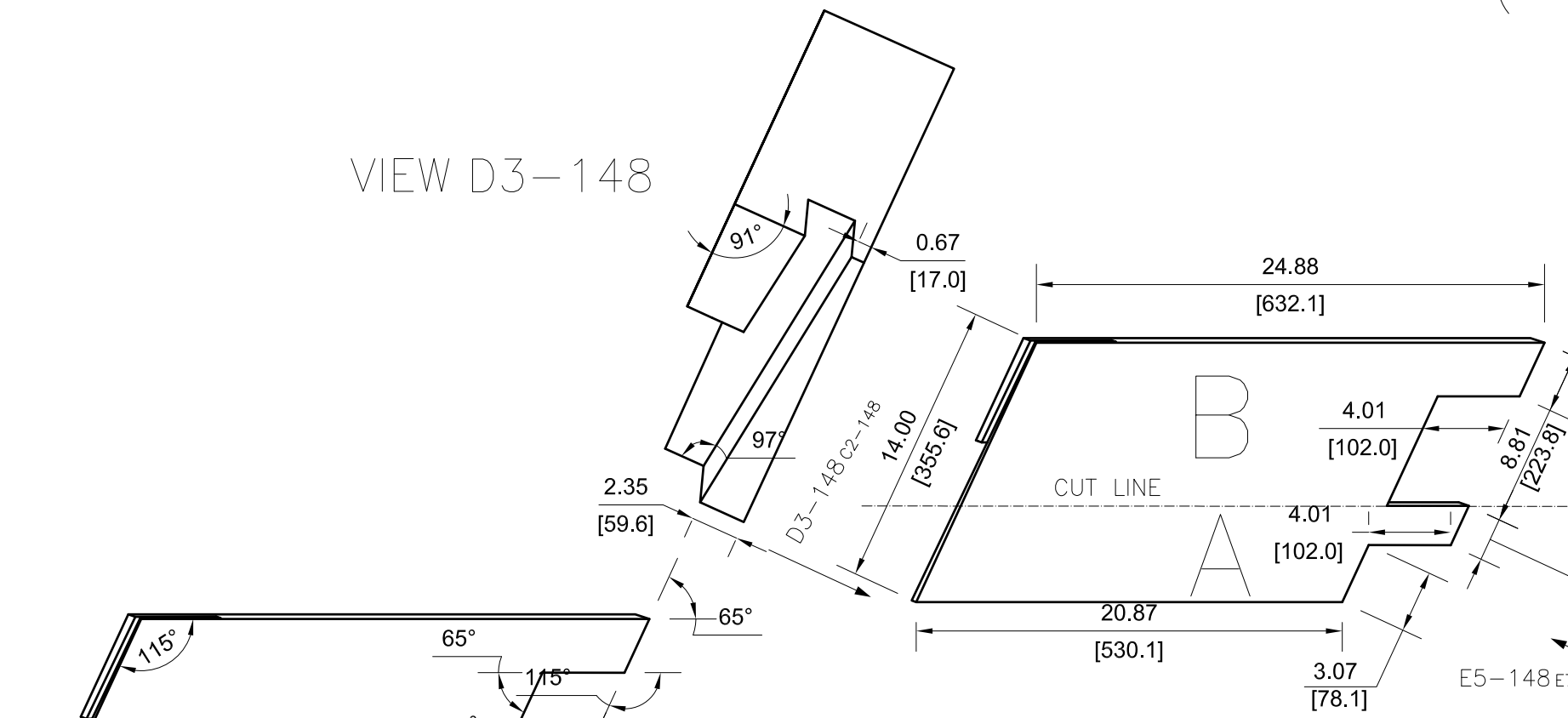
		DRAWING NUMBER			
		AES-D0009			
SIZE	SCALE	SHEET	OF	REVISION	
A3	NONE	147	190	B	

— 291

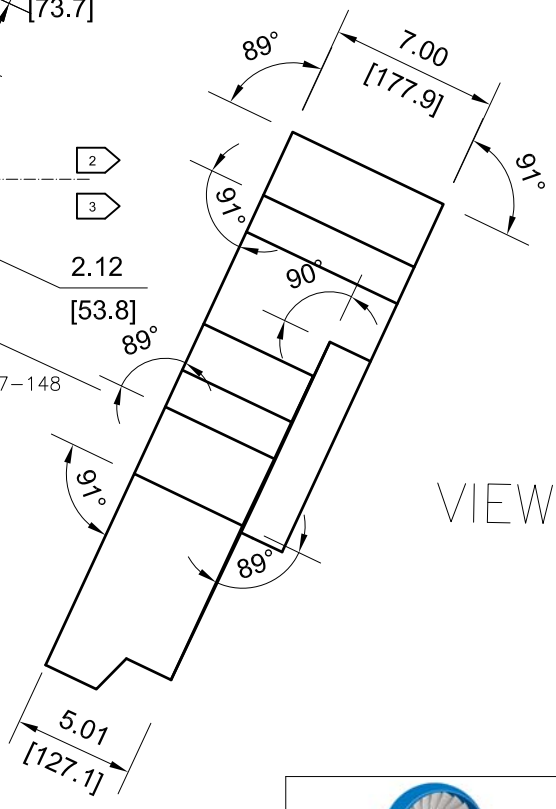


REAR VIEW RELATIVE TO VIEW D4-148

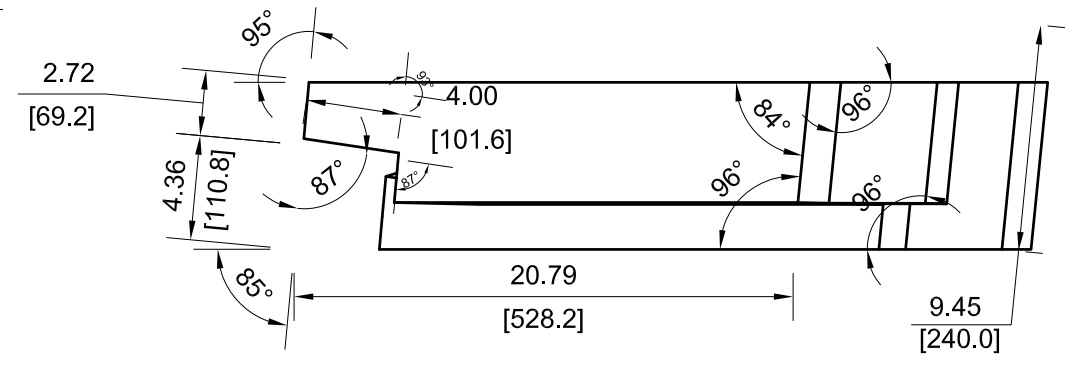
VIEW D3-148



VIEW D4-148 REPEATED FOR CLARITY PURPOSES.

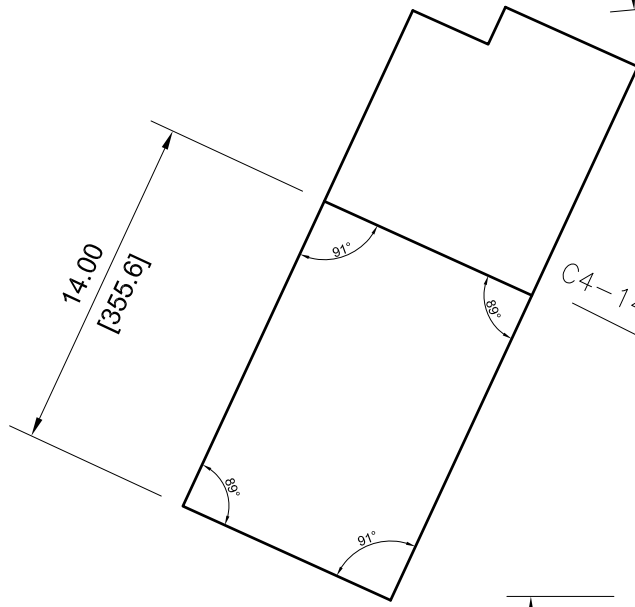
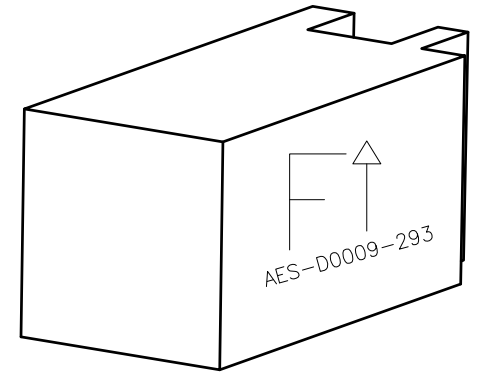
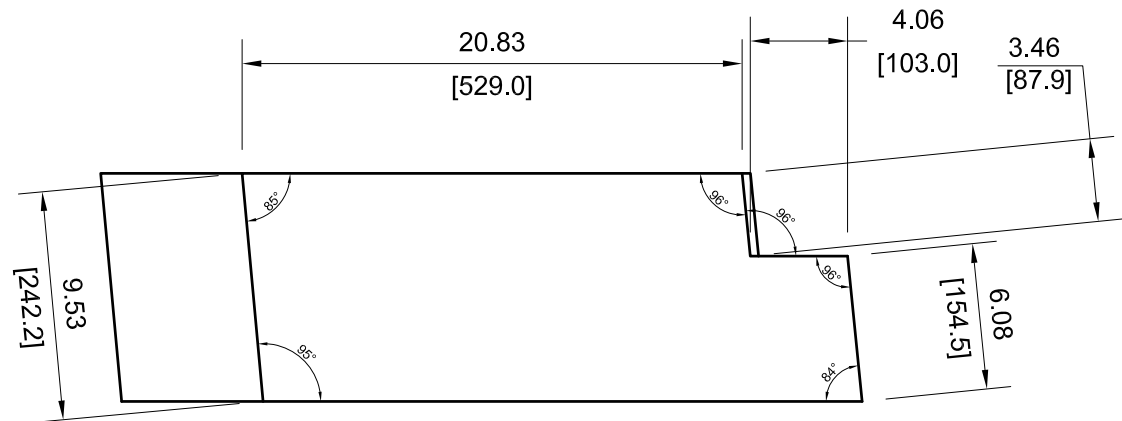


VIEW E5-148

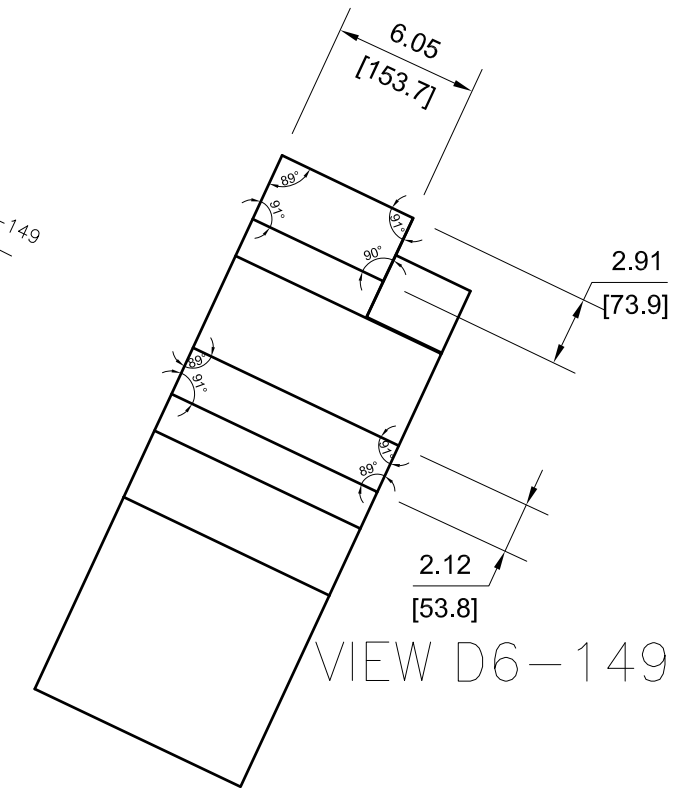
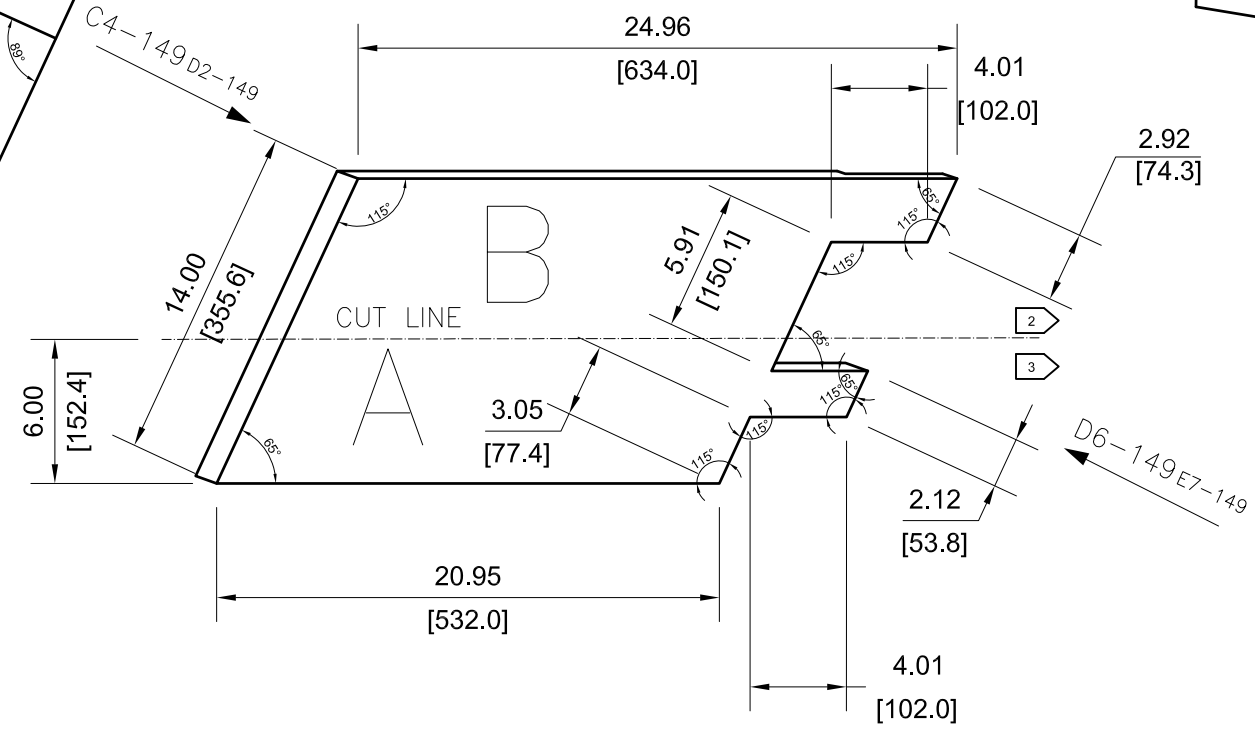


		DRAWING NUMBER			
		AES-D0009			
SIZE	SCALE	SHEET	OF	REVISION	
A3	NONE	148	190	B	

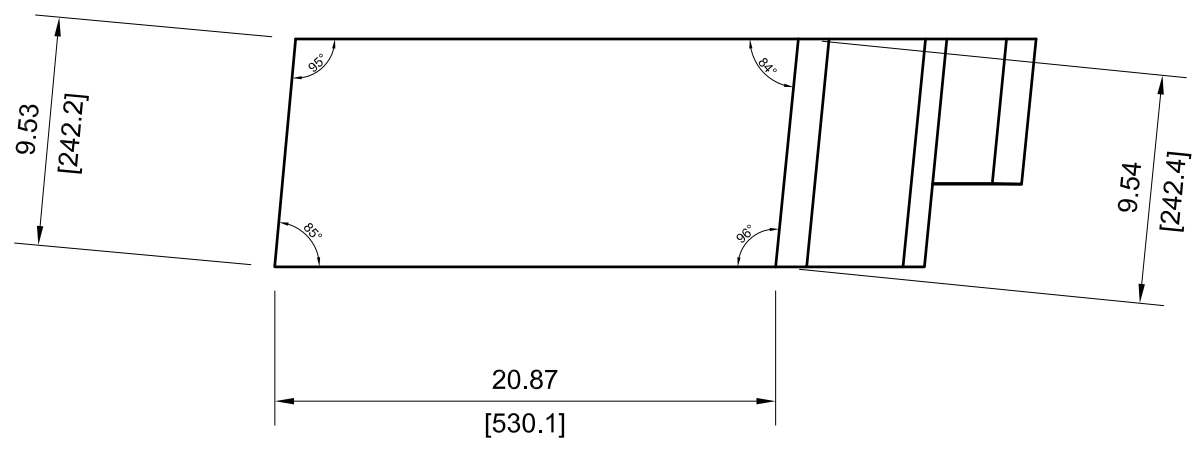
293



VIEW C4-149

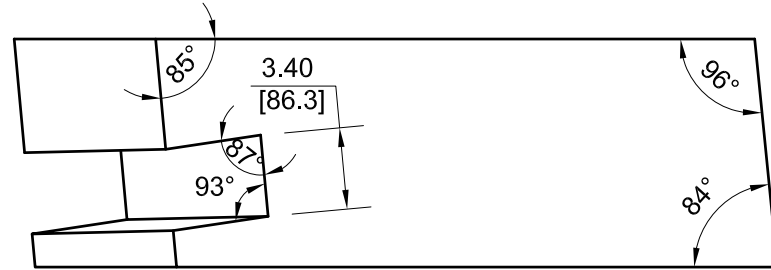
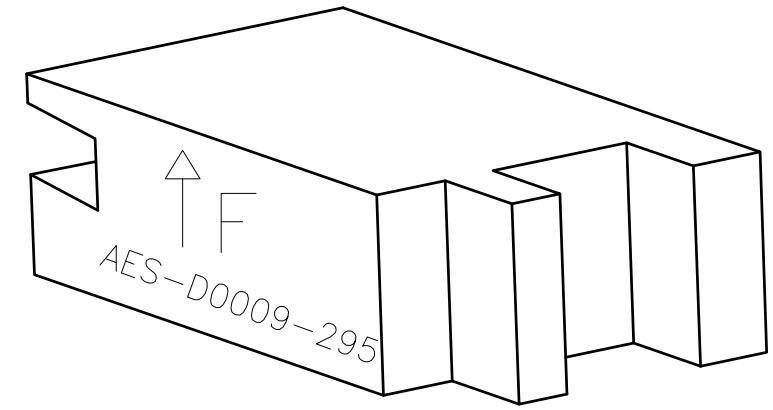


VIEW D6-149

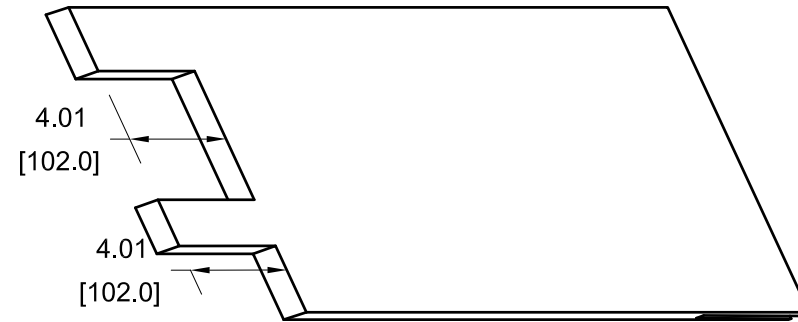
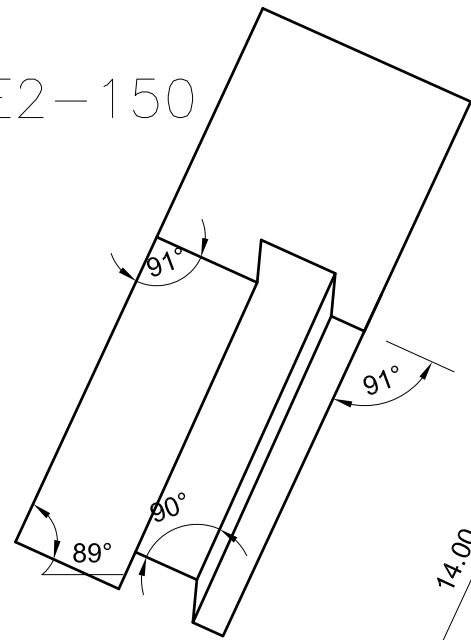


DRAWING NUMBER					AES-D0009				
SIZE	SCALE	SHEET	OF	REVISION					
A3	NONE	149	190	B					

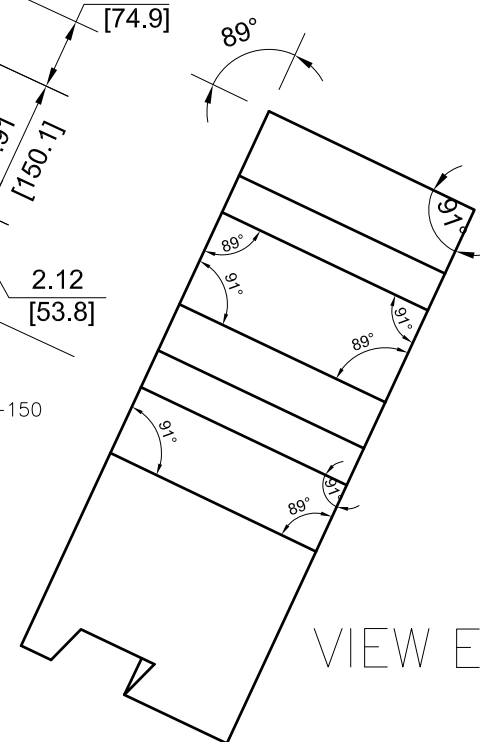
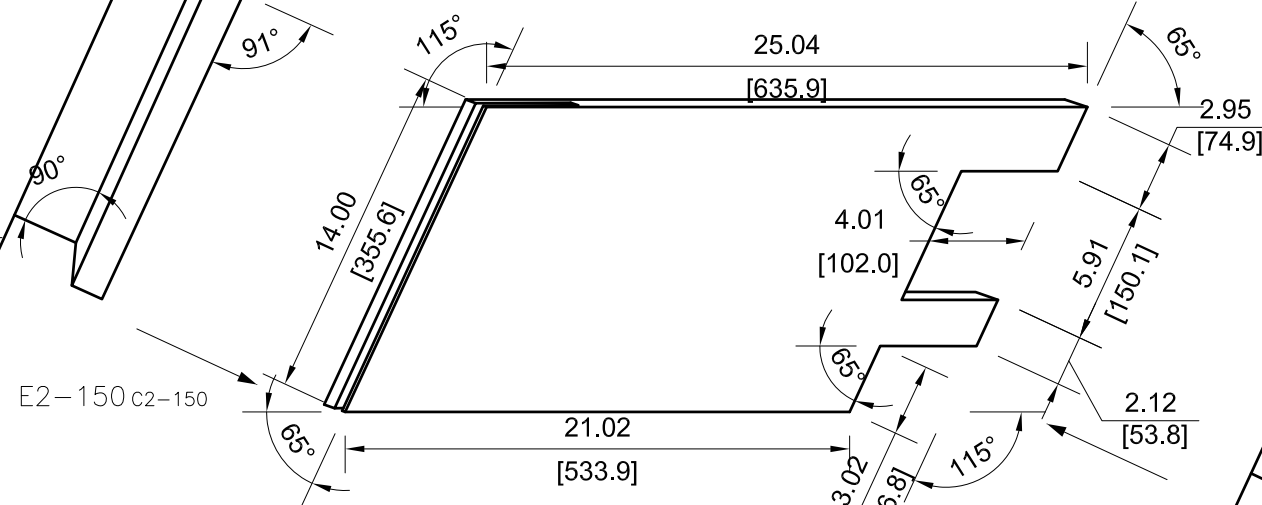
— 295



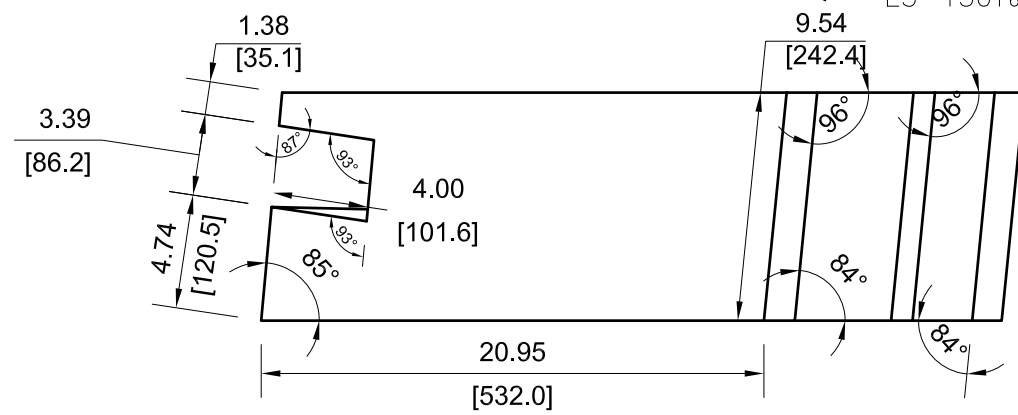
VIEW E2-150



REAR VIEW RELATIVE TO VIEW D4-150

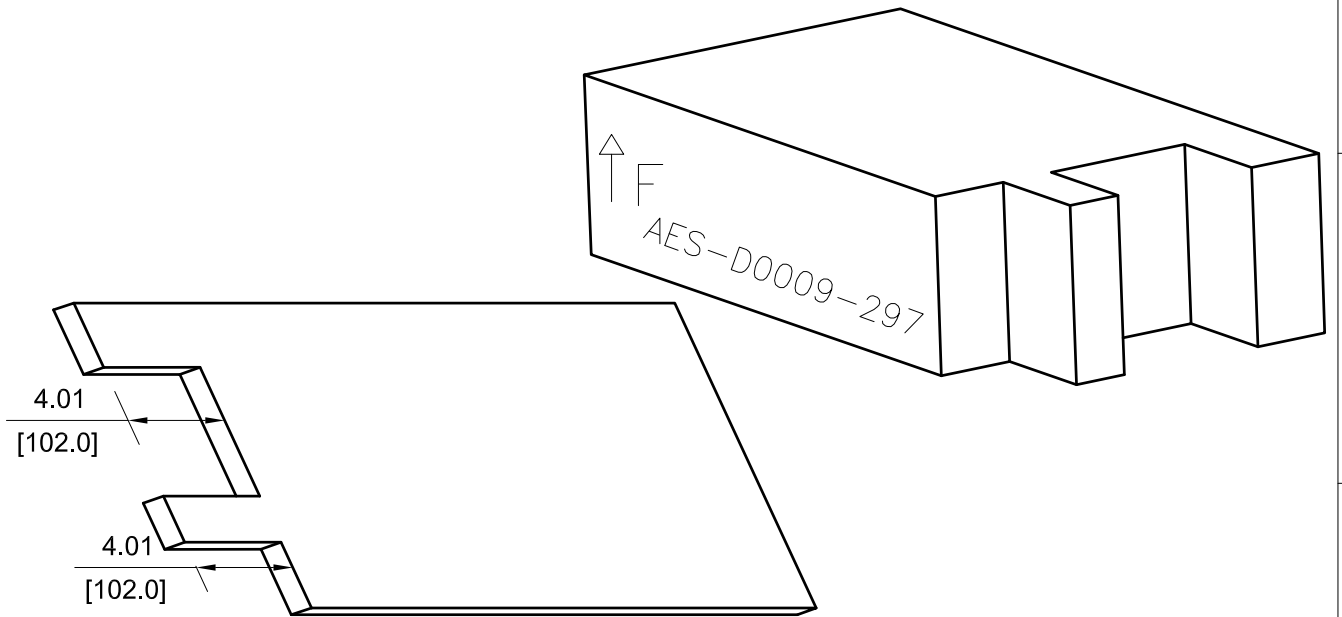
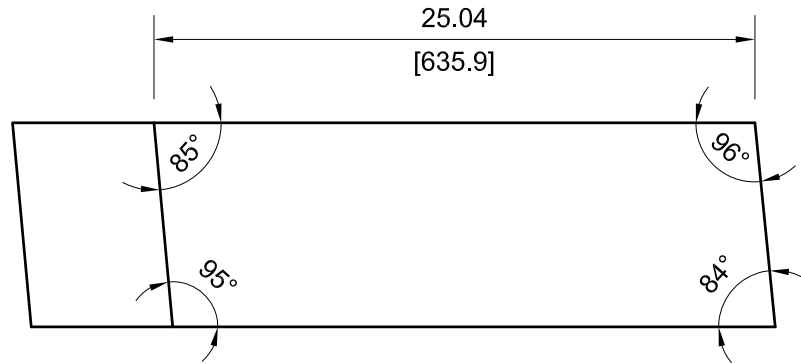


VIEW E5-150

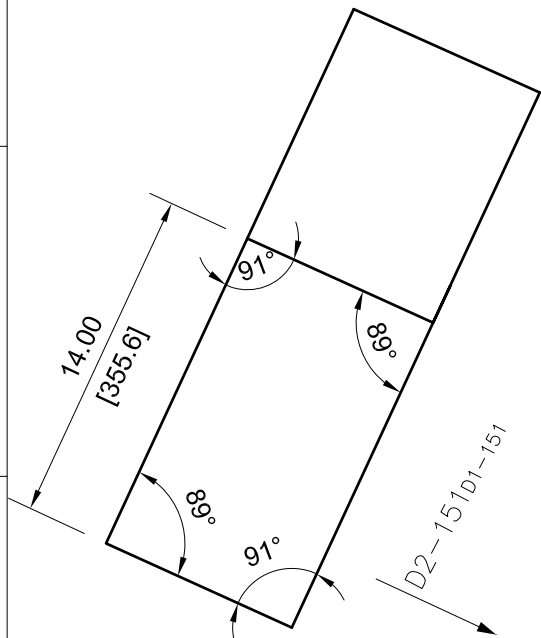


DRAWING NUMBER				
AES-D0009				
SIZE	SCALE	SHEET	OF	REVISION
A3	NONE	150	190	B

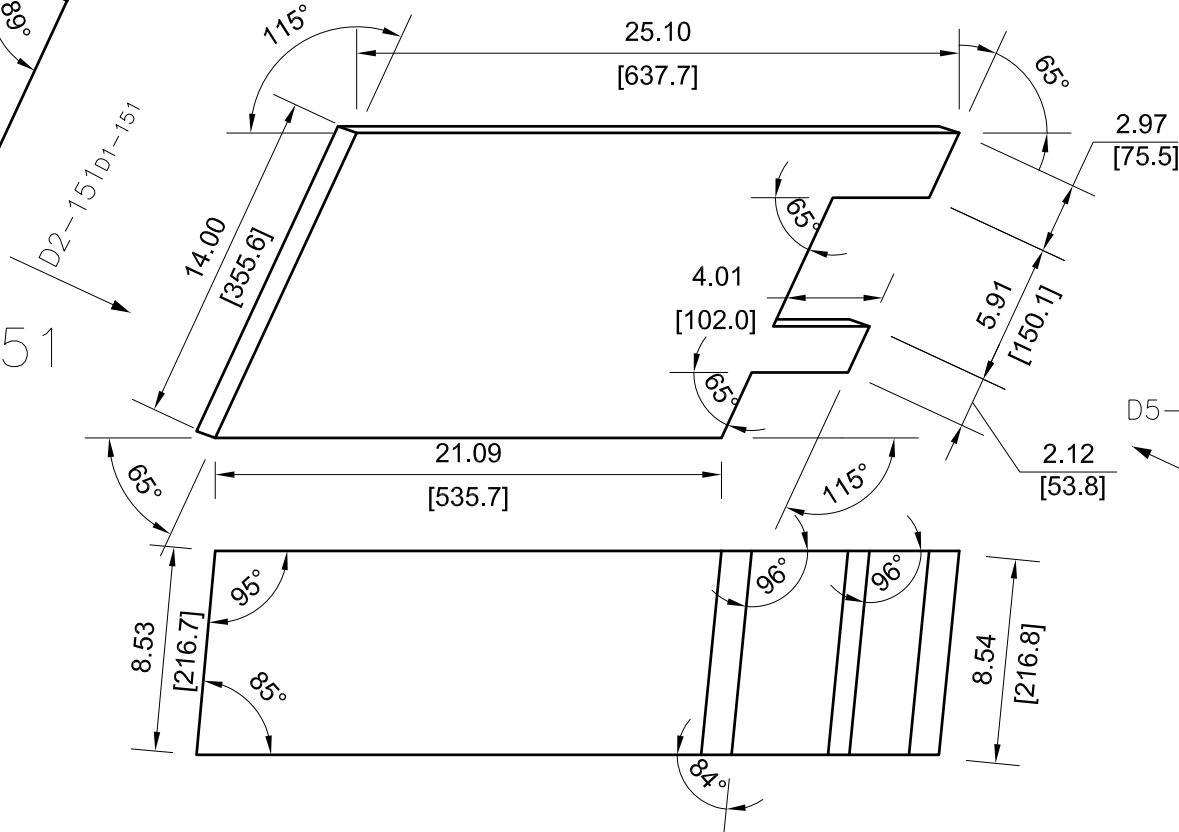
297



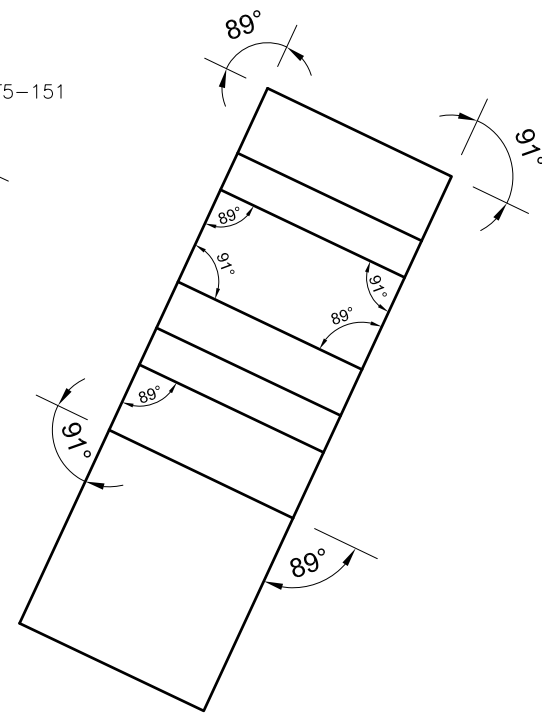
REAR VIEW RELATIVE TO VIEW D5-151



VIEW D2-151



D5-151 F5-151

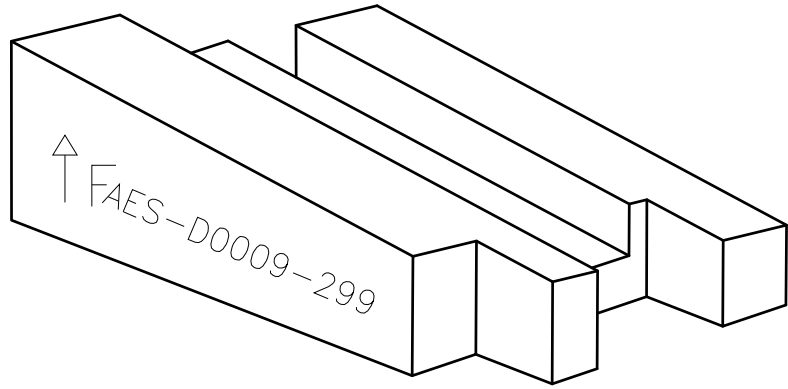


VIEW D5-151

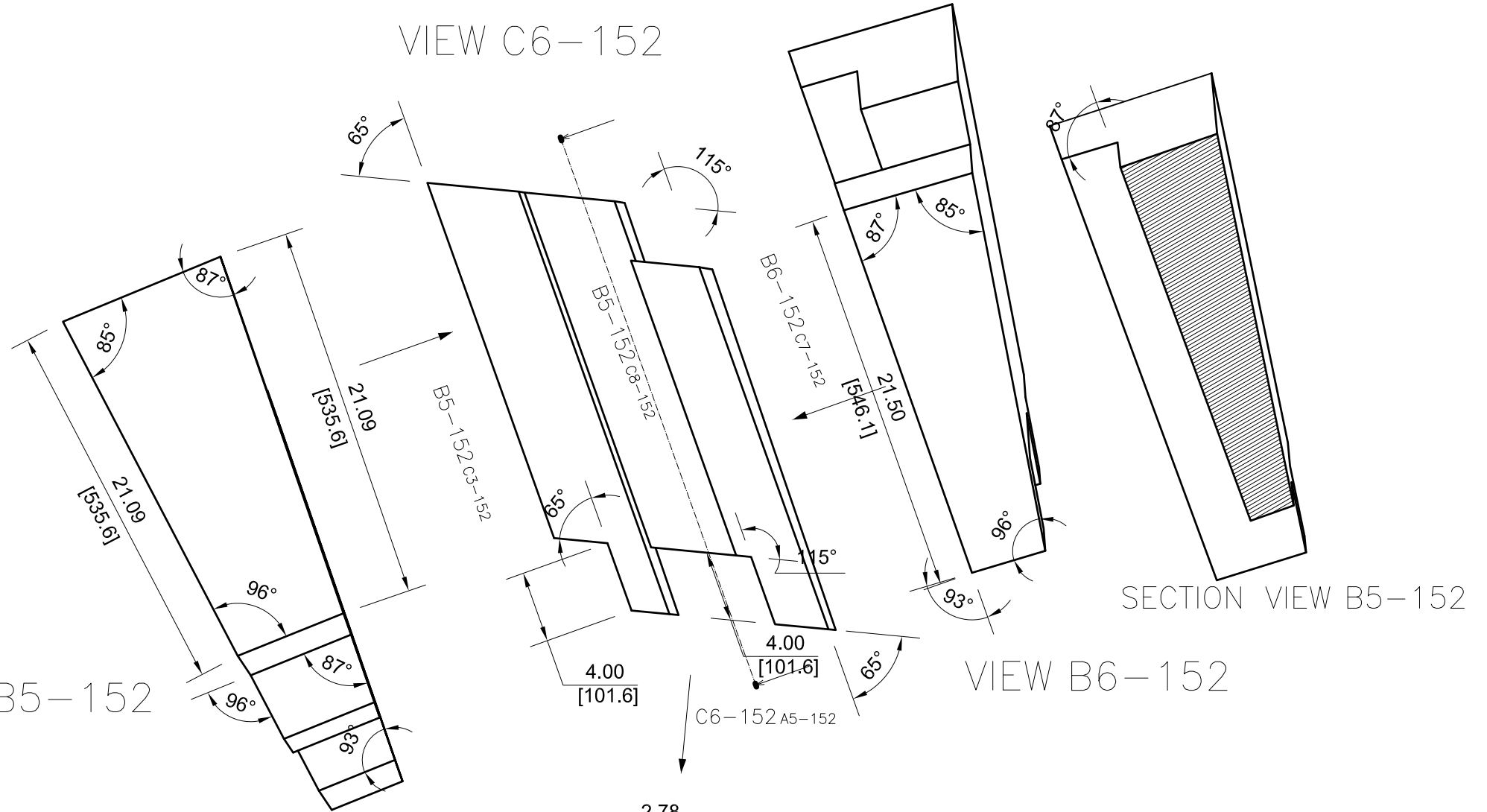


DRAWING NUMBER					AES-D0009				
SIZE	SCALE	SHEET	OF	REVISION					
A3	NONE	151	190	B					

299



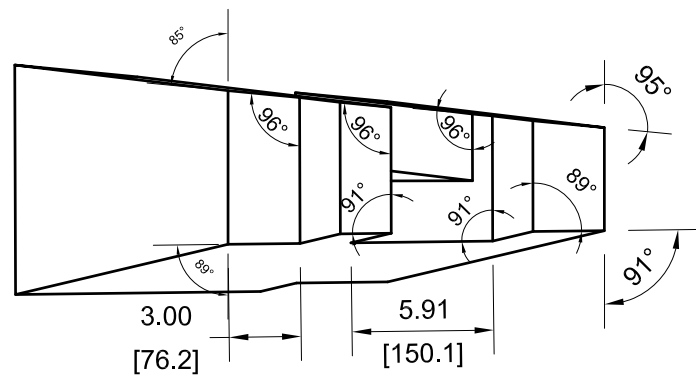
VIEW C6-152



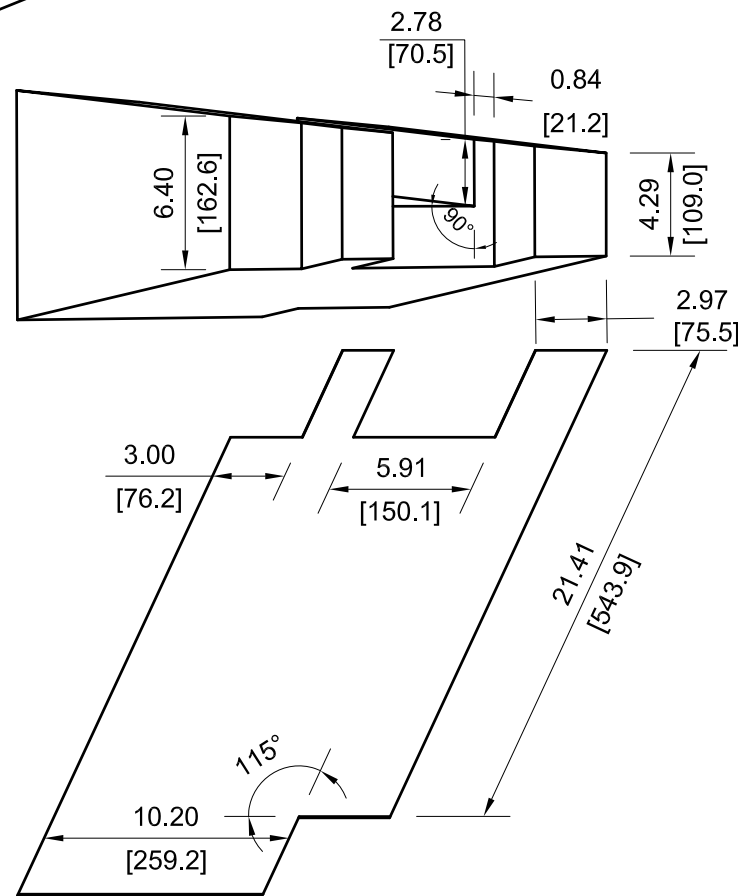
VIEW B5-152

VIEW B6-152

SECTION VIEW B5-152

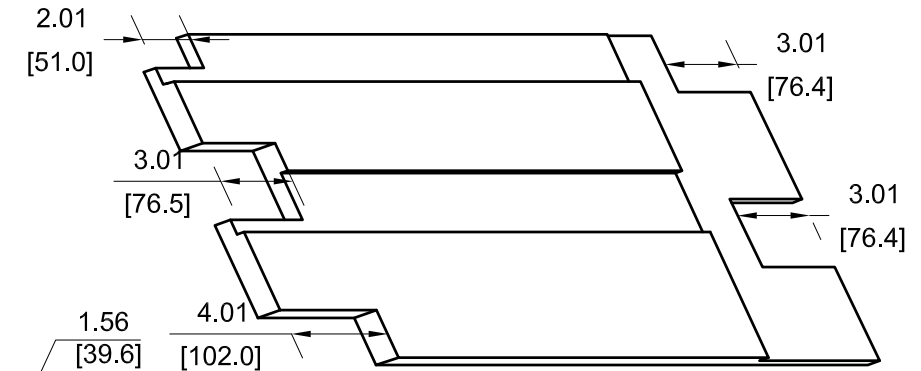
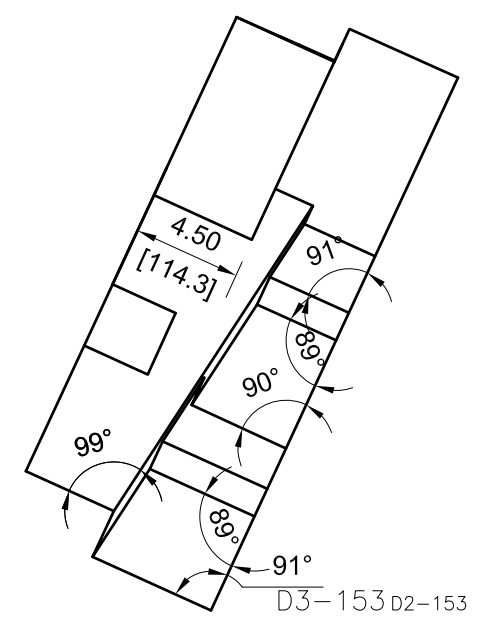
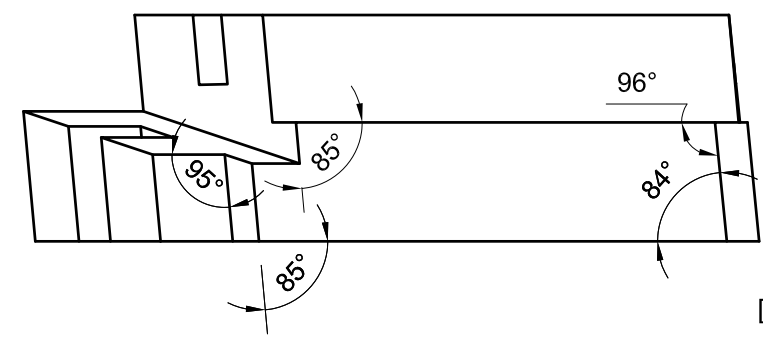
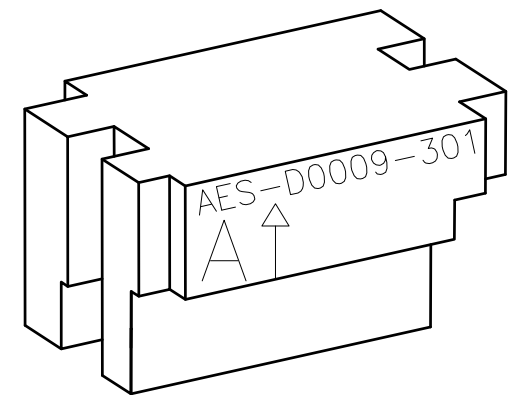


VIEW D4-152 REPEATED FOR CLARITY PURPOSES.

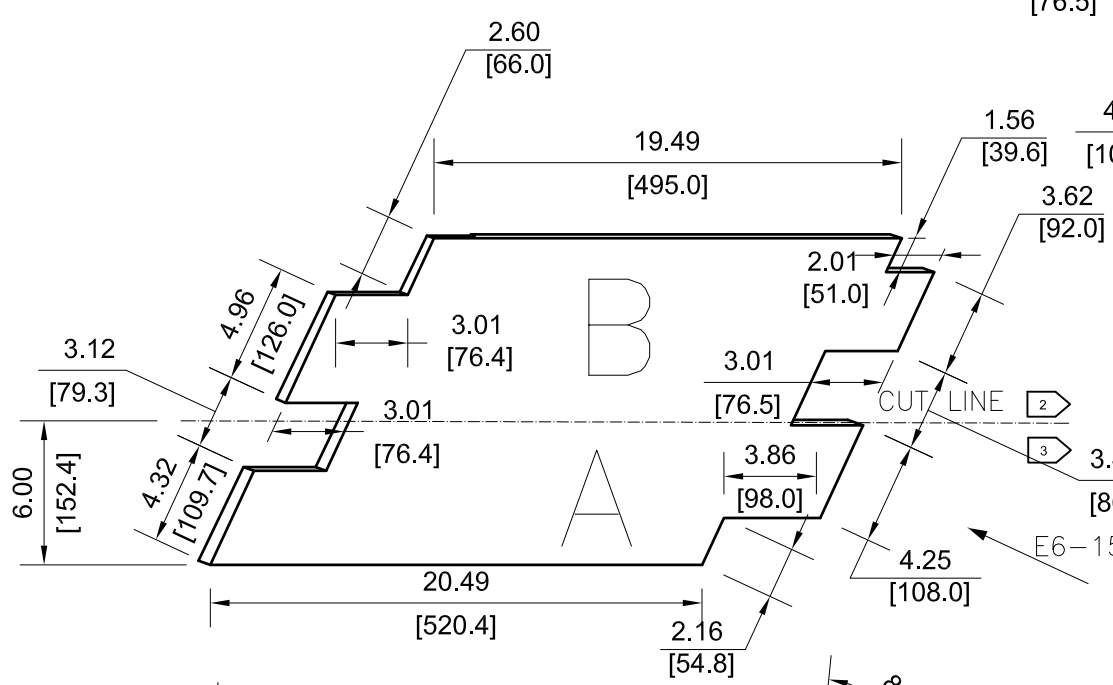


DRAWING NUMBER				
AES-D0009				
SIZE	SCALE	SHEET	OF	REVISION
A3	NONE	152	190	B

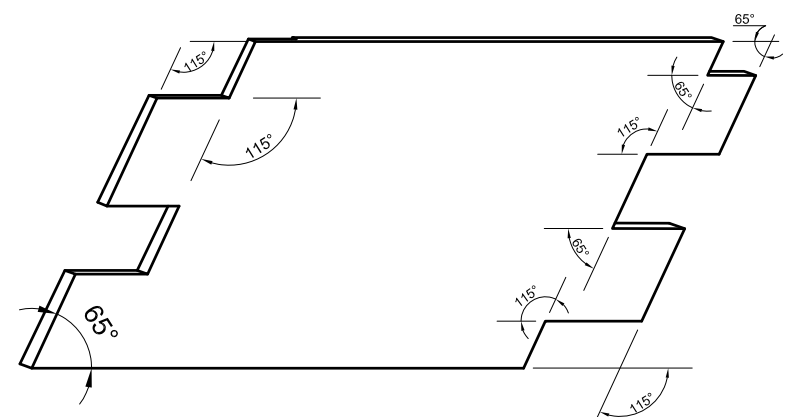
301



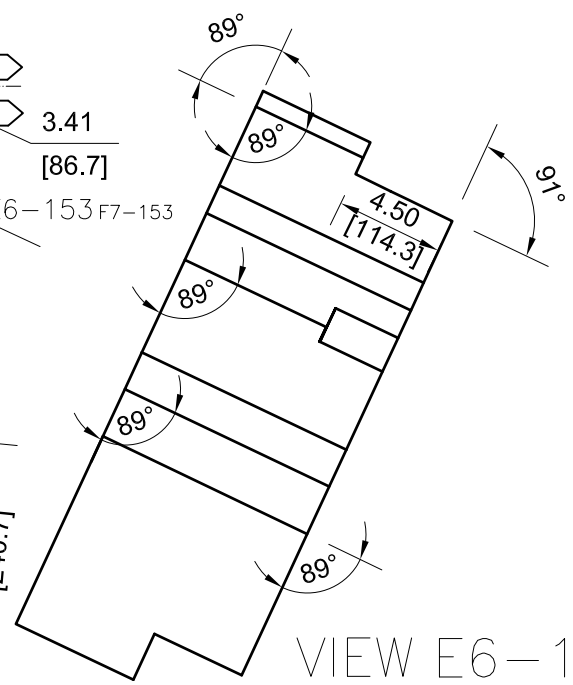
VIEW D3-153



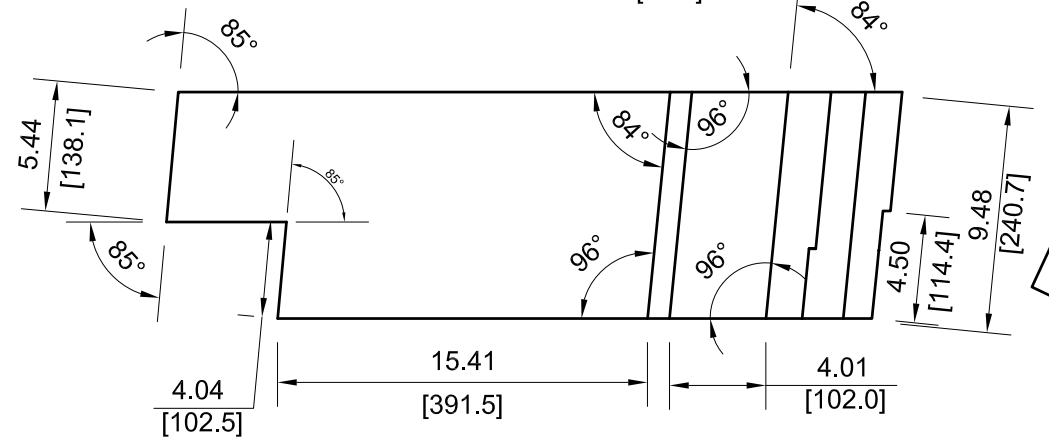
REAR VIEW RELATIVE TO VIEW D5-153



VIEW D4-153 REPEATED FOR CLARITY PURPOSES.

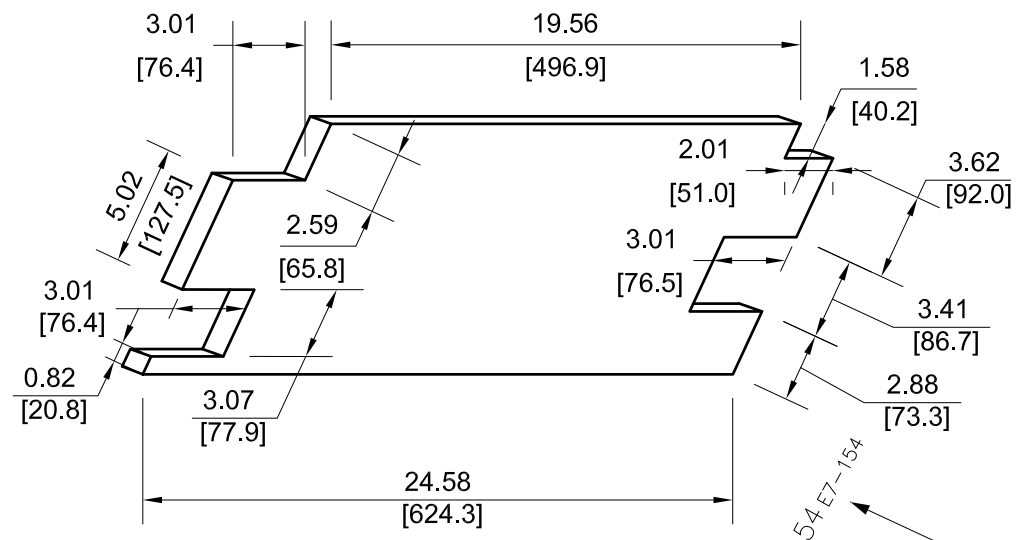
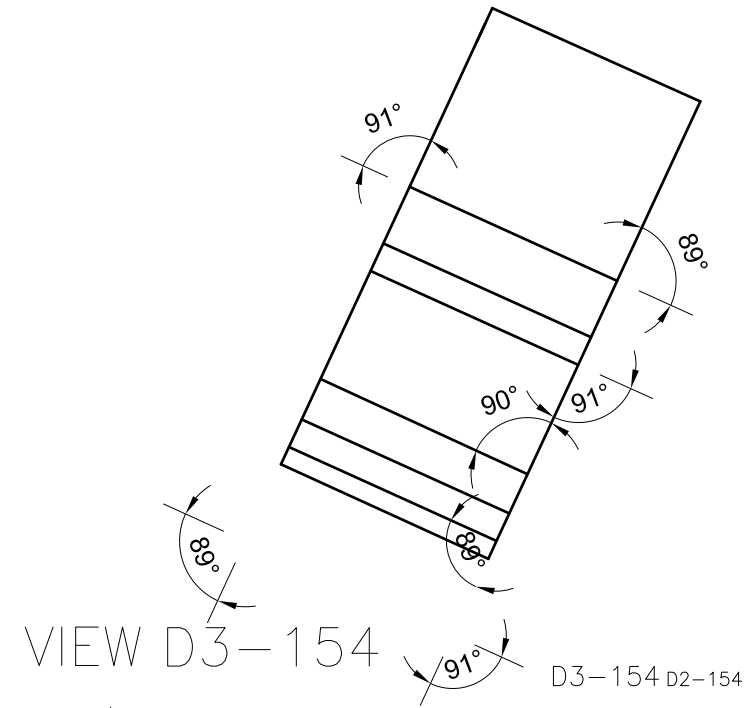
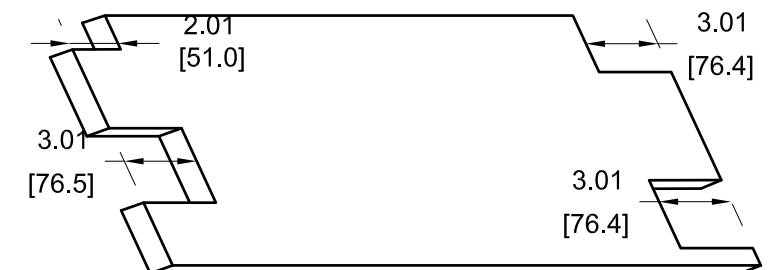
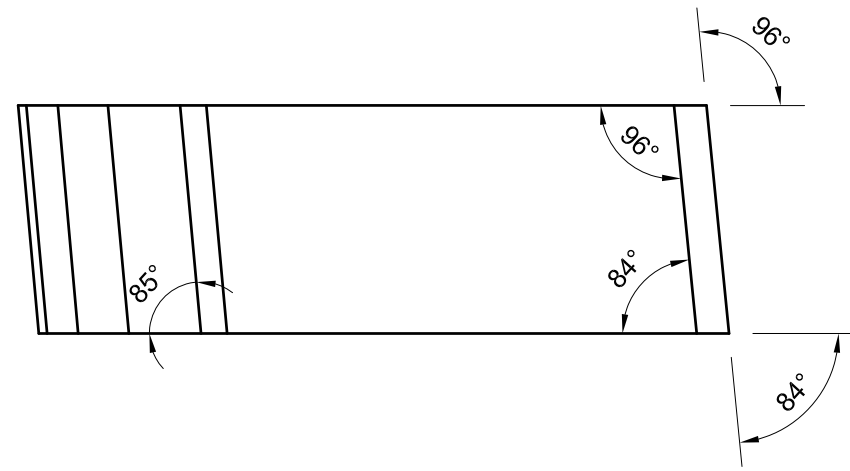
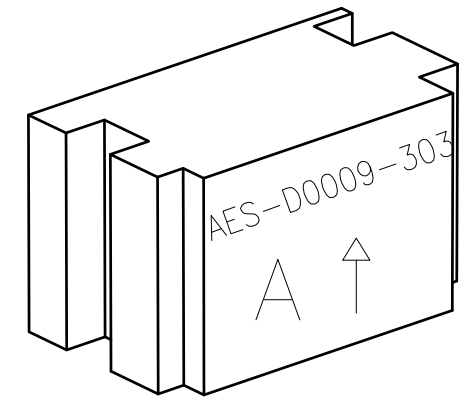


VIEW E6-153

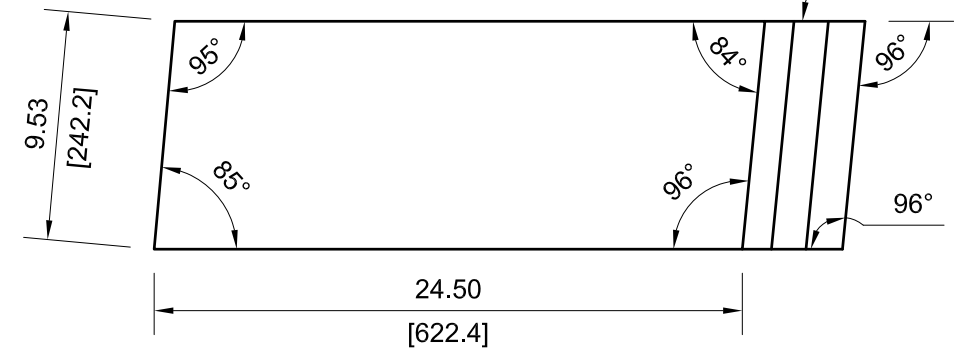
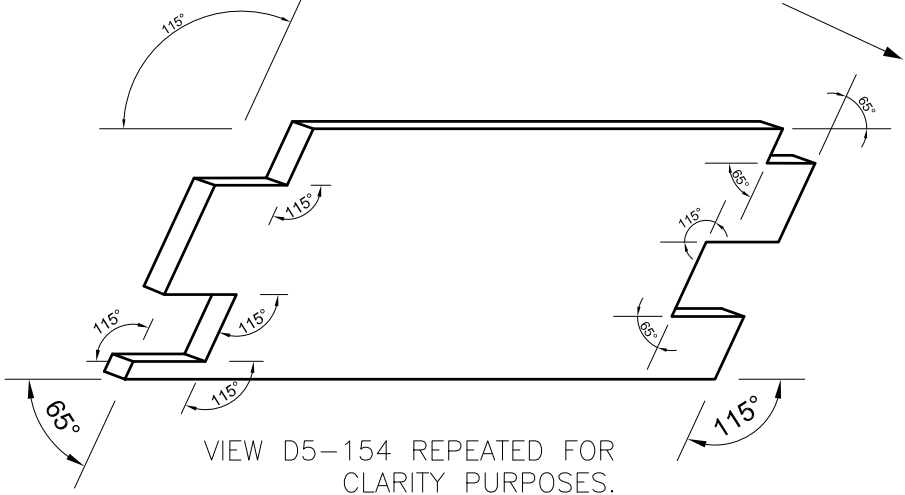
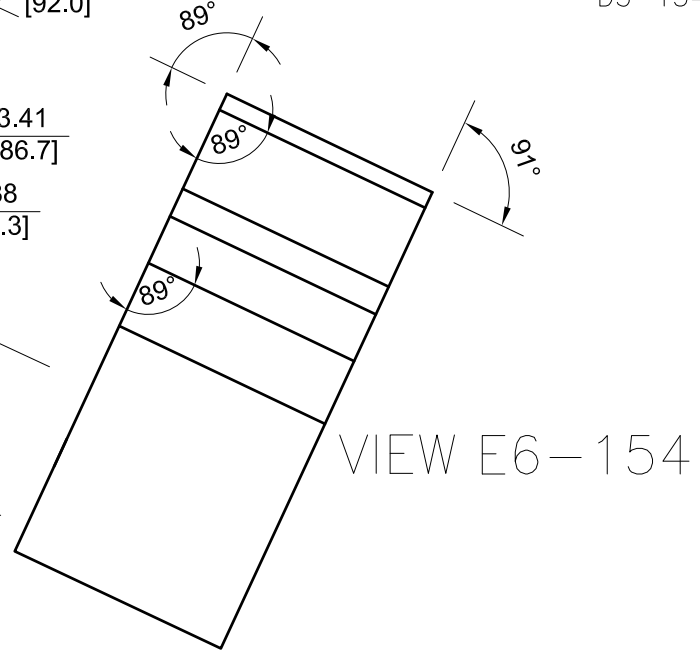


DRAWING NUMBER					AES-D0009				
SIZE	SCALE	SHEET	OF	REVISION					
A3	NONE	153	190	B					

- 303

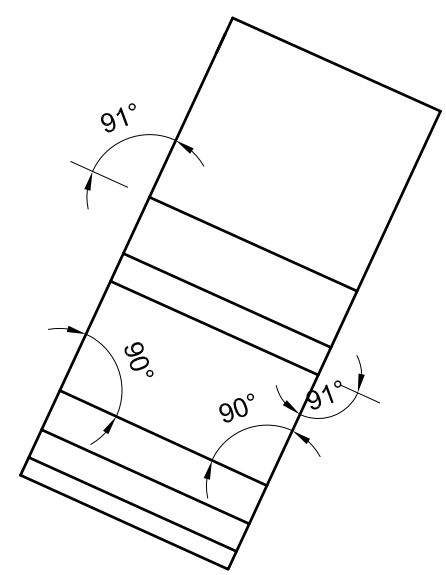
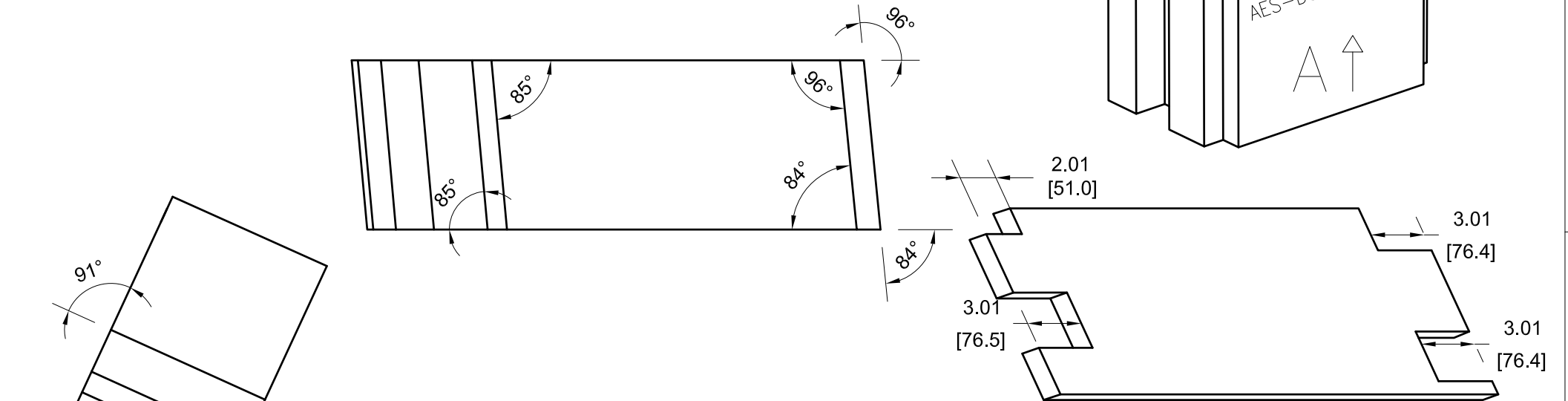
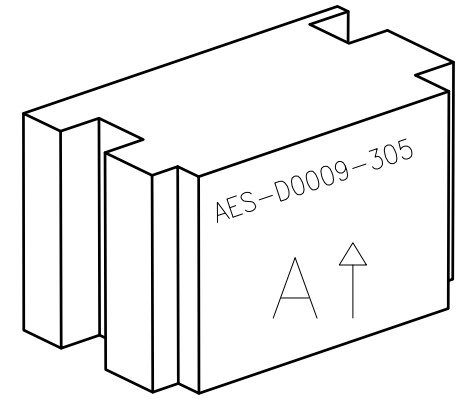


REAR VIEW RELATIVE TO VIEW D5-154

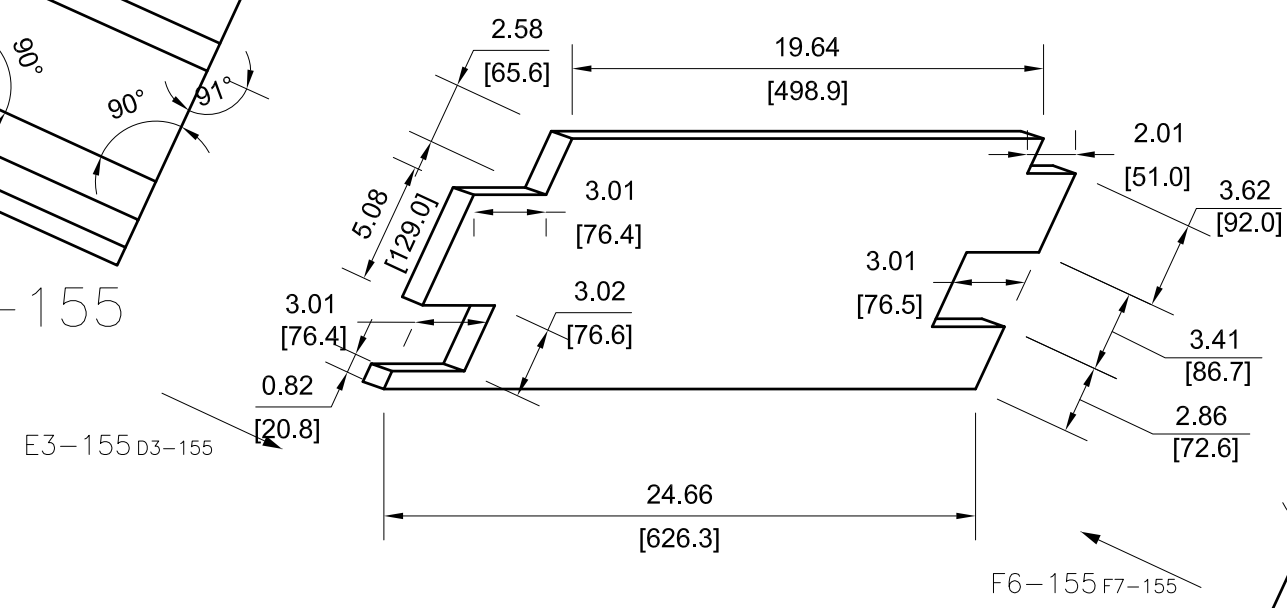


DRAWING NUMBER				
AES-D0009				
SIZE	SCALE	SHEET	OF	REVISION
A3	NONE	154	190	B

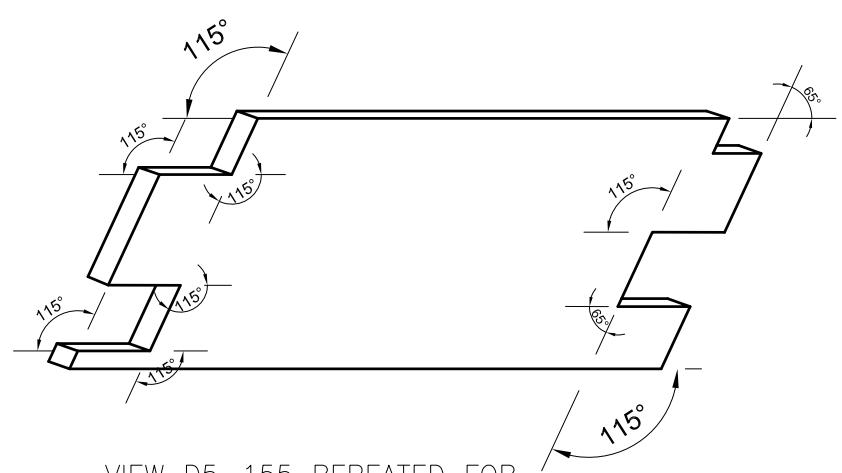
— 305



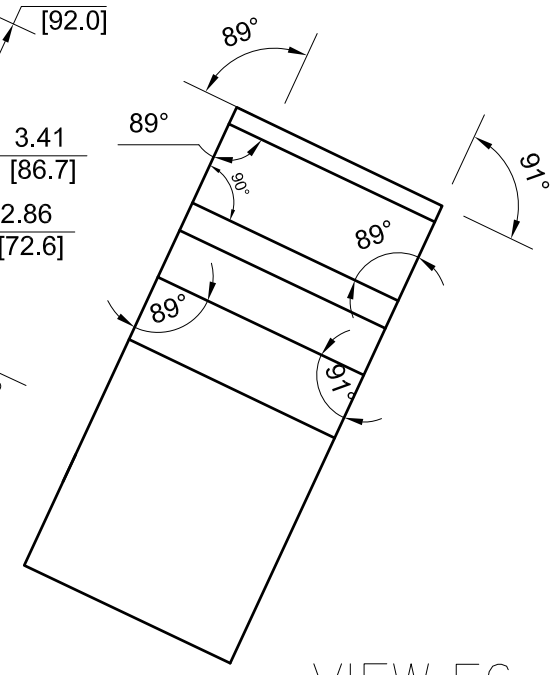
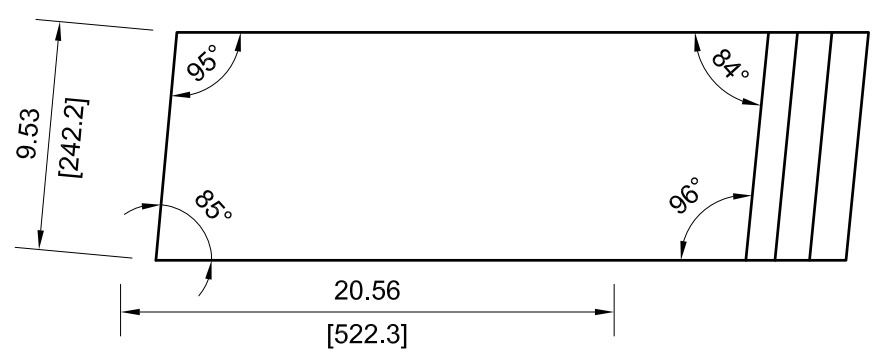
VIEW E3-155



REAR VIEW RELATIVE TO VIEW D5-155



VIEW D5-155 REPEATED FOR CLARITY PURPOSES.

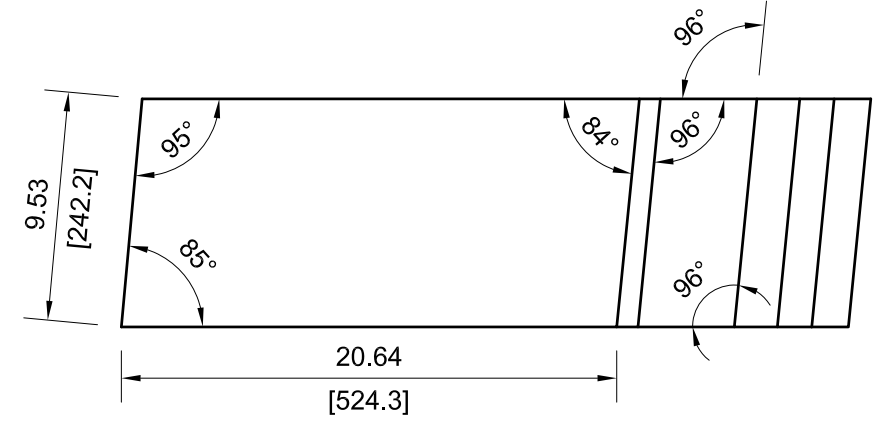
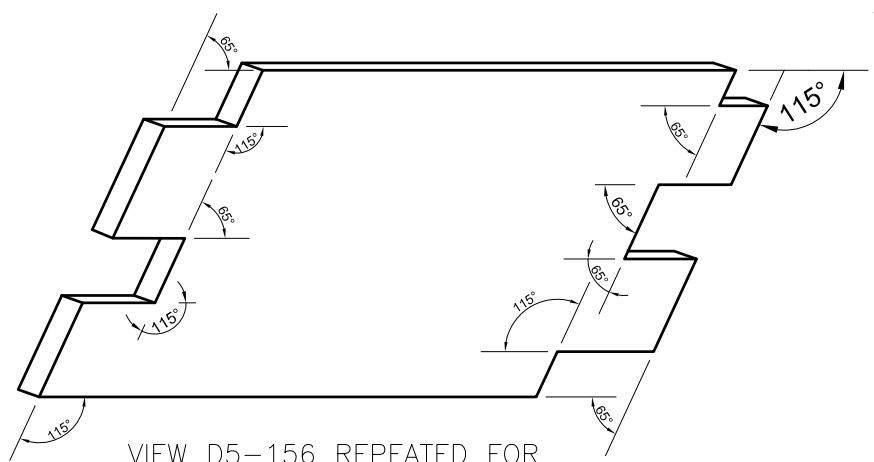
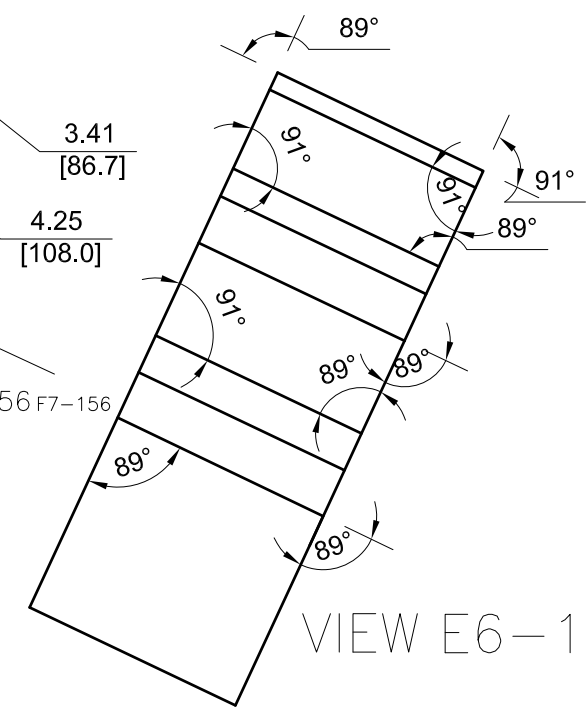
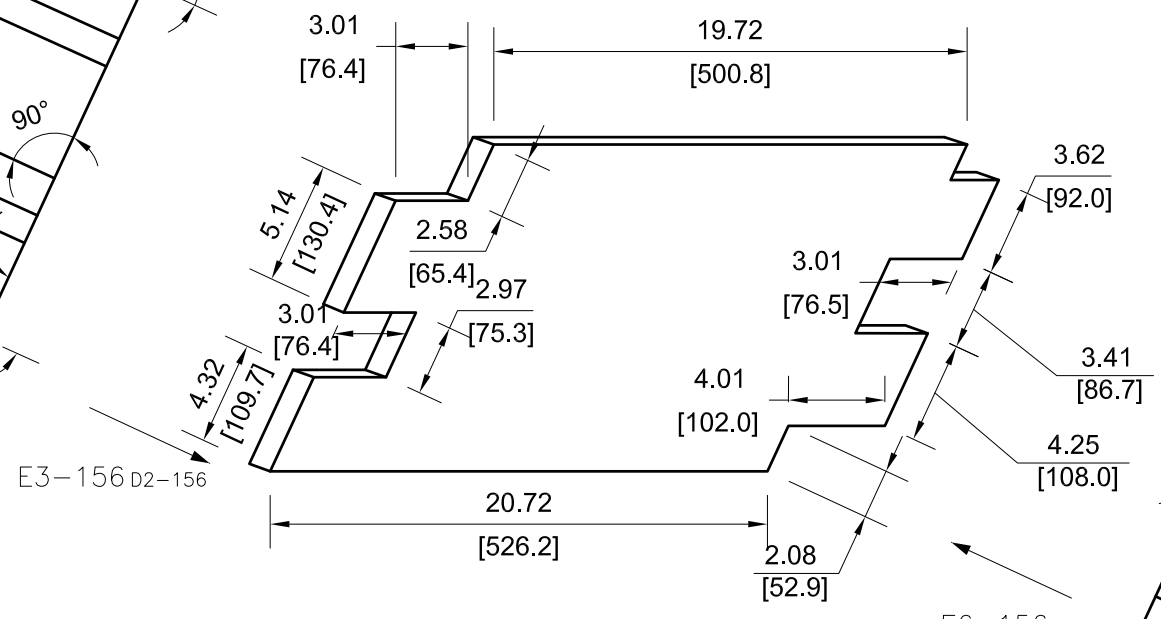
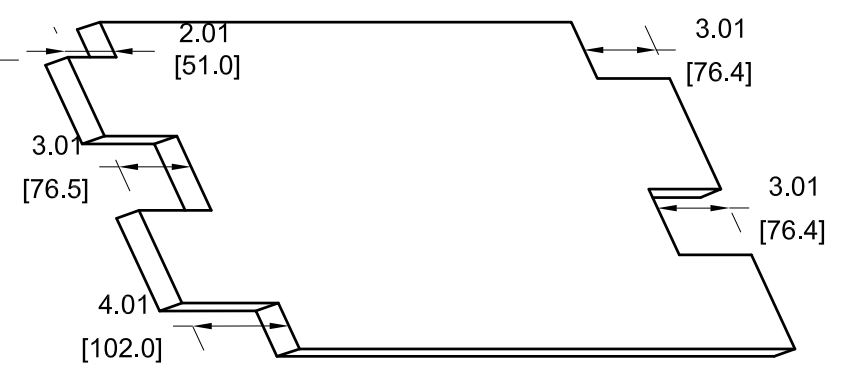
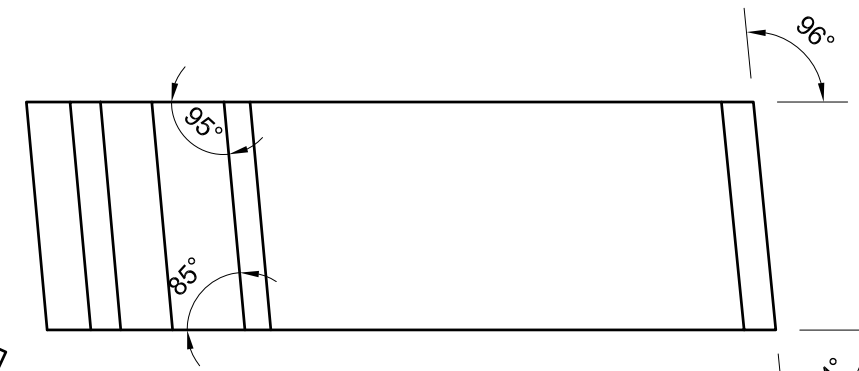
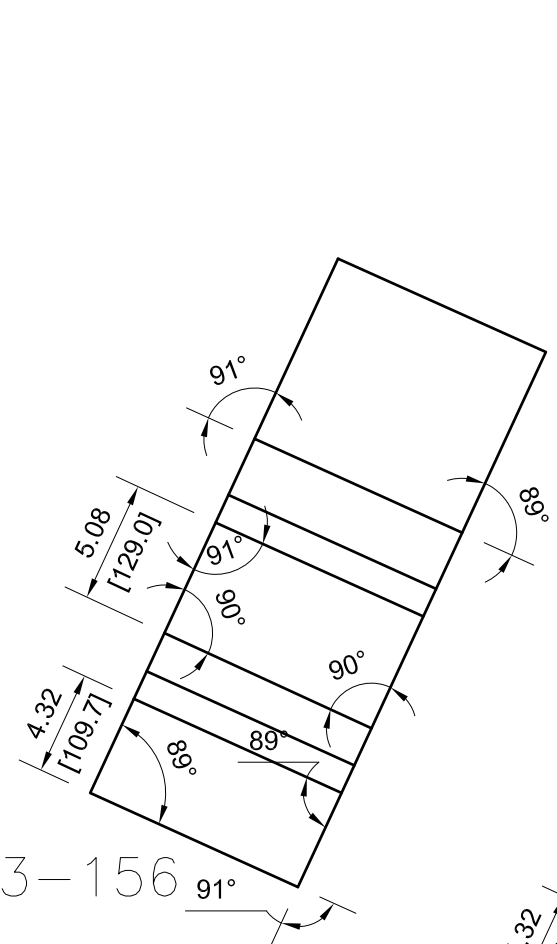
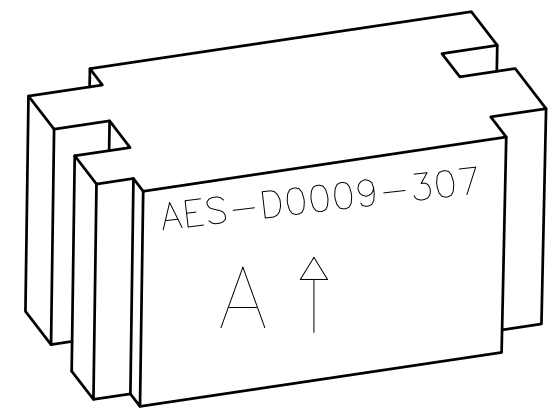


VIEW F6-155



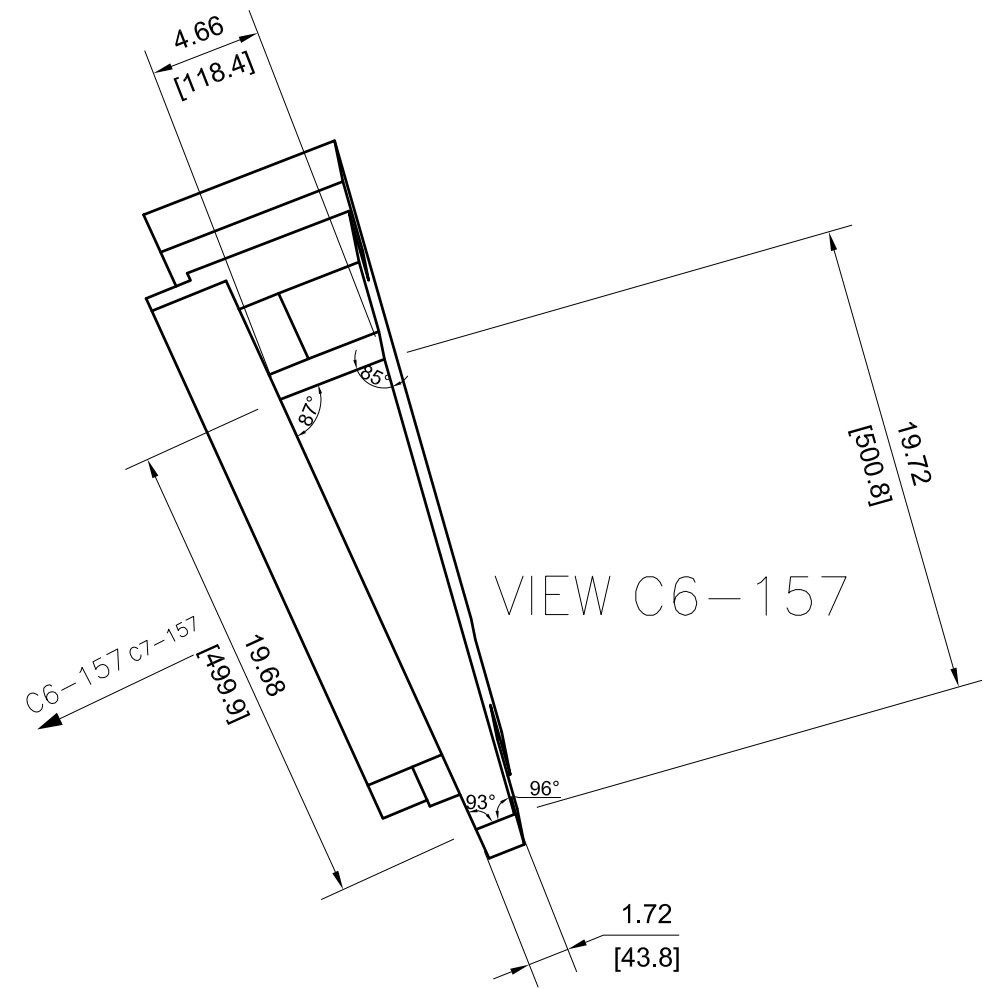
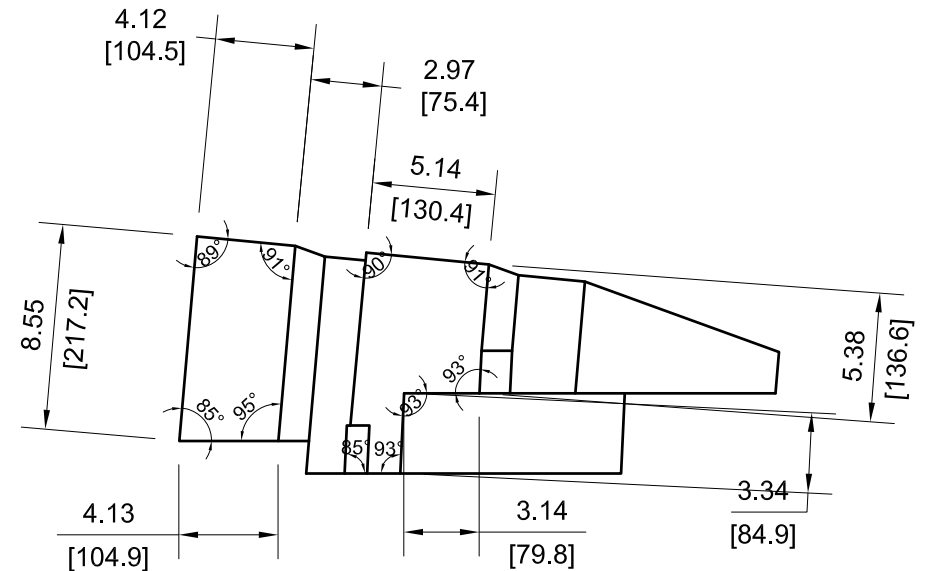
DRAWING NUMBER				
AES-D0009				
SIZE	SCALE	SHEET	OF	REVISION
A3	NONE	155	190	B

307

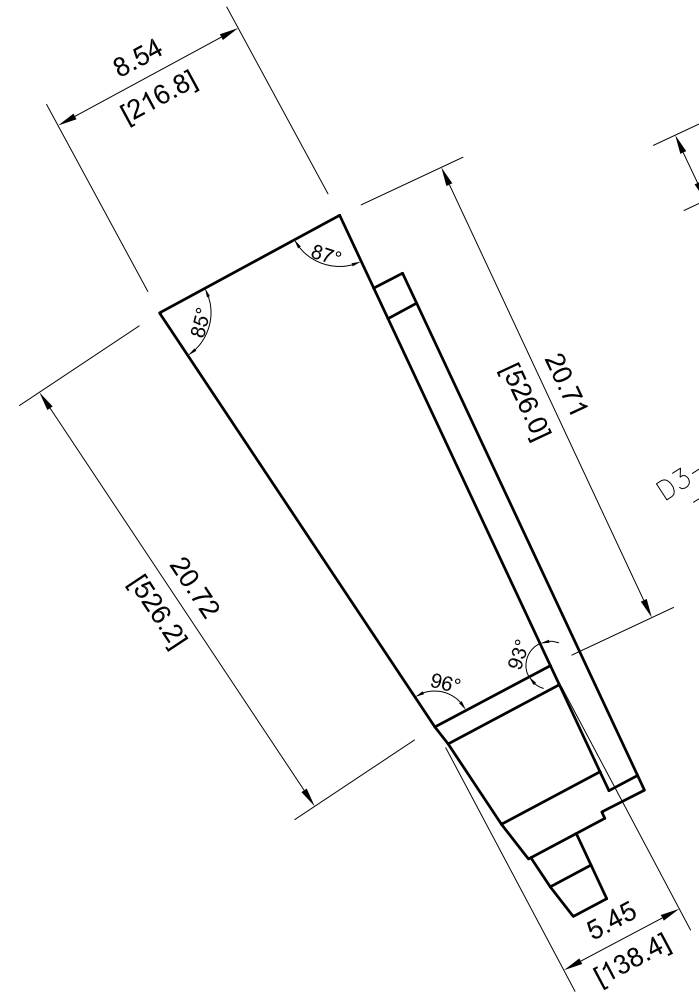


DRAWING NUMBER				
AES-D0009				
SIZE	SCALE	SHEET	OF	REVISION
A3	NONE	156	190	B

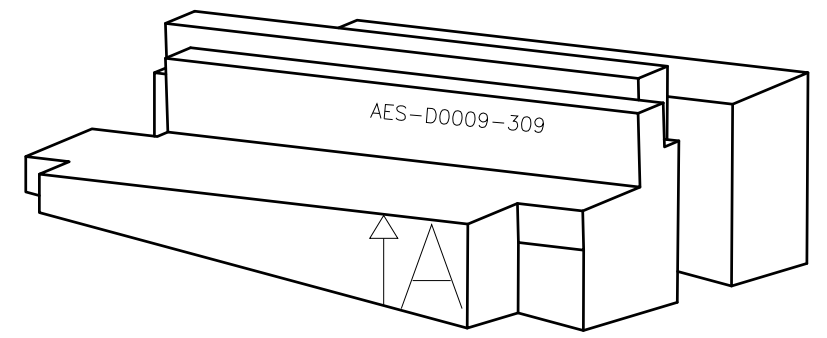
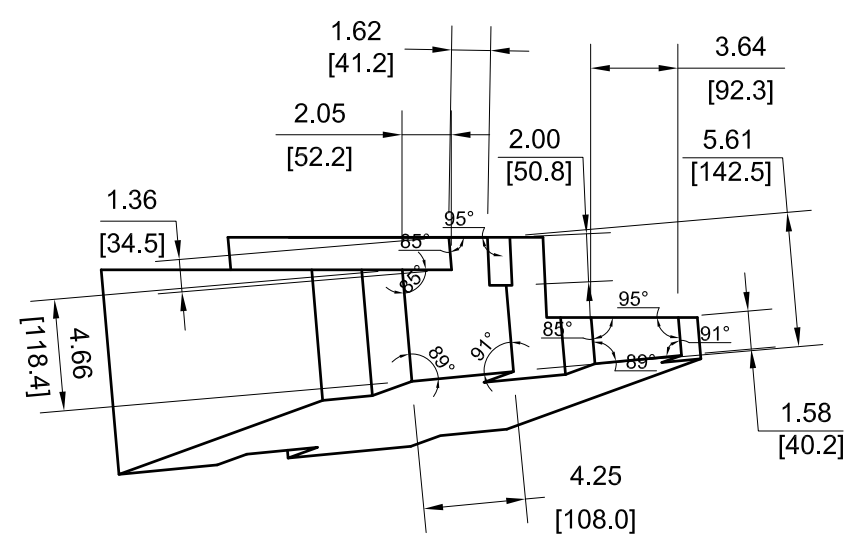
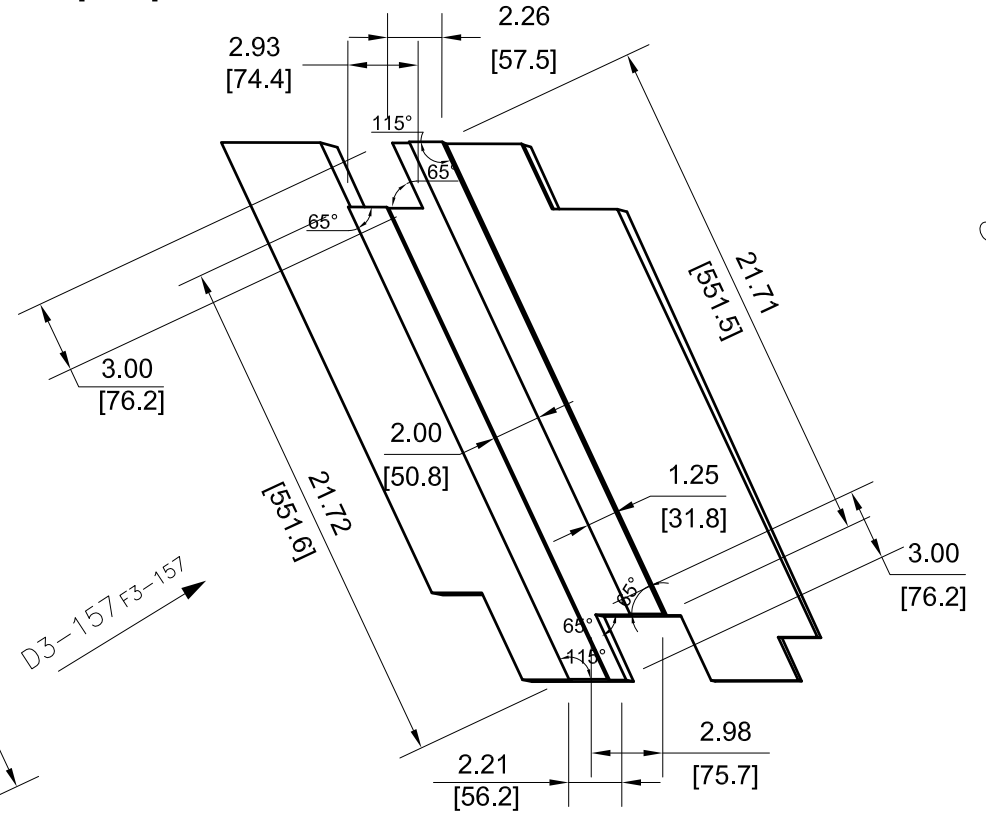
309



VIEW C6-157

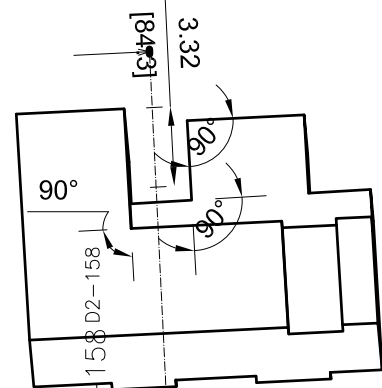


VIEW D3-157

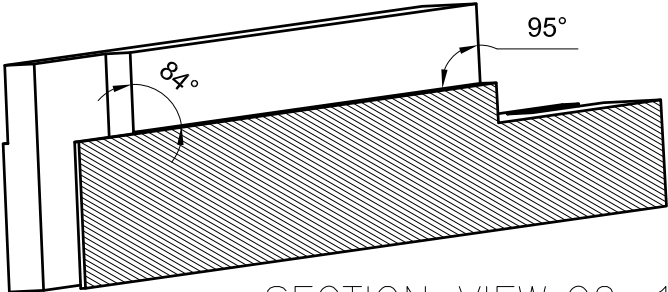


DRAWING NUMBER				
AES-D0009				
SIZE	SCALE	SHEET	OF	REVISION
A3	NONE	157	190	B

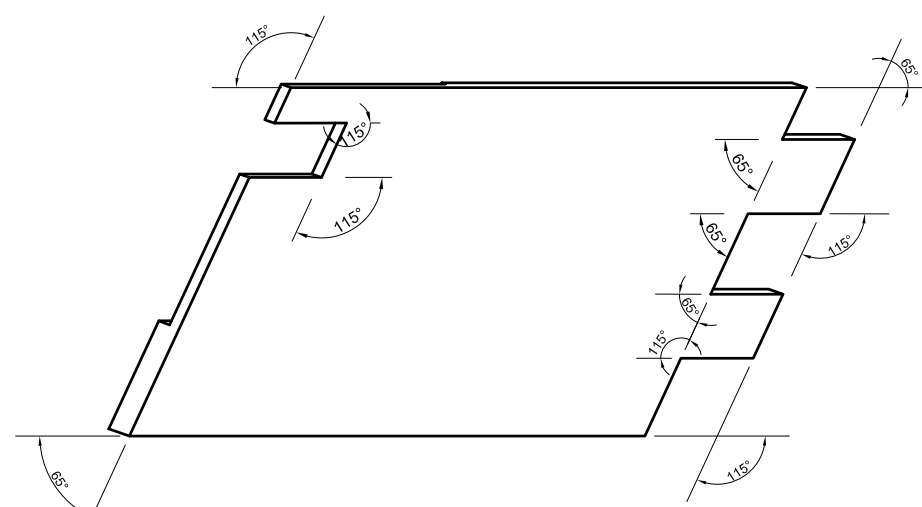
311



VIEW B4-158

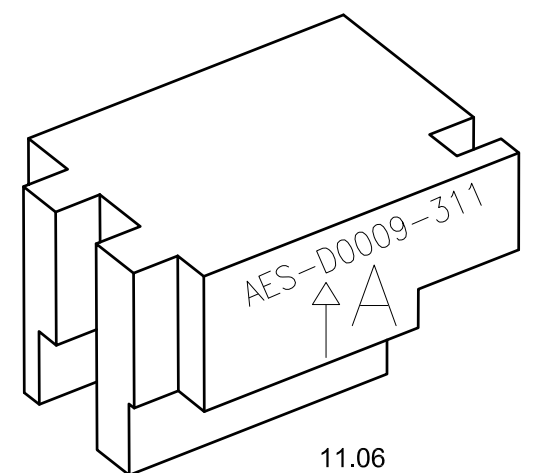
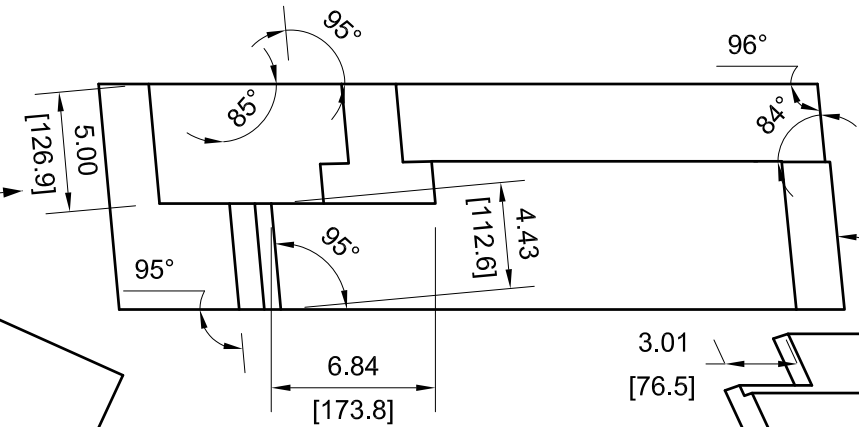


SECTION VIEW C2-158

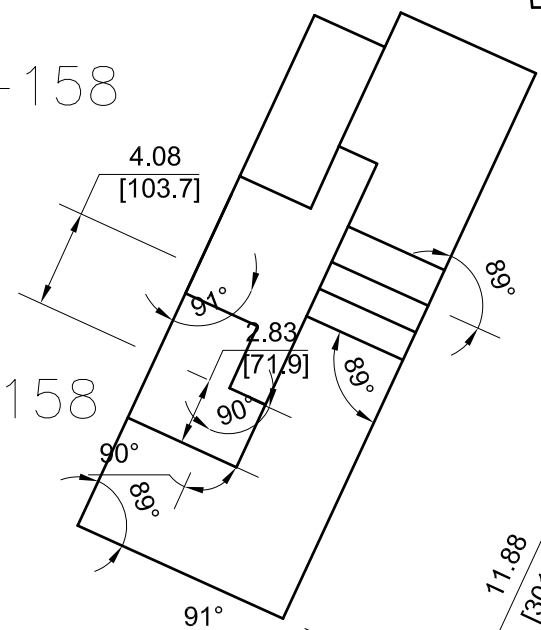


VIEW D6-158 REPEATED FOR CLARITY PURPOSES.

B4-158 c3-158

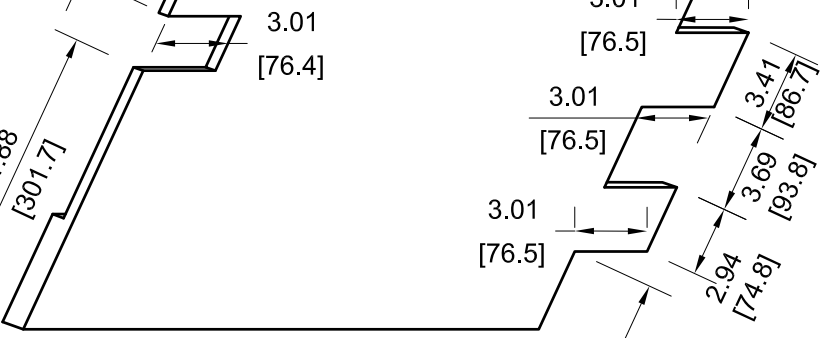
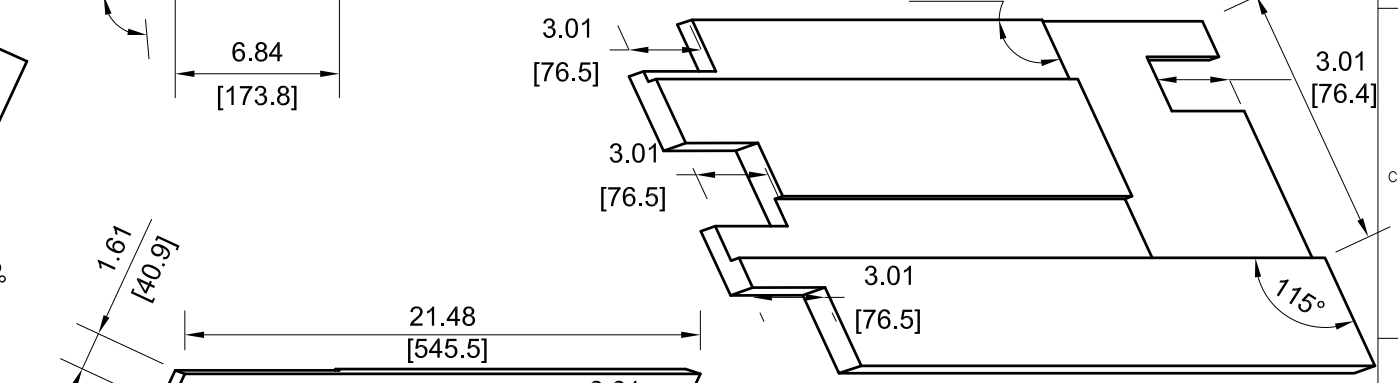


AES-D0009-311



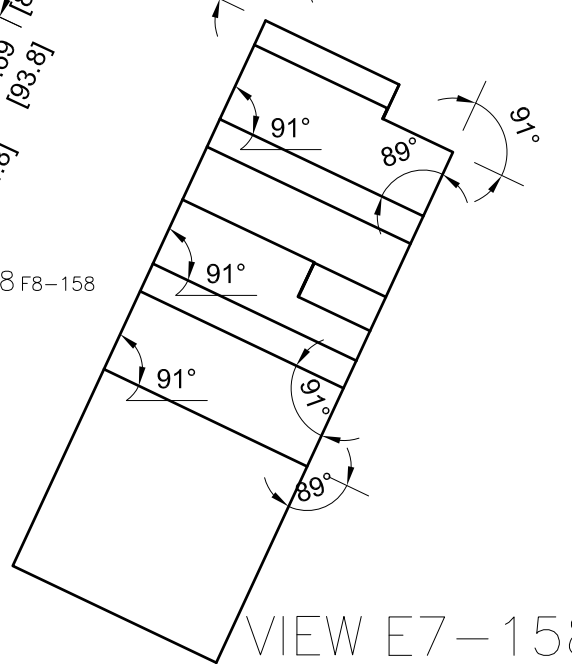
VIEW E4-158

E4-158 D3-158

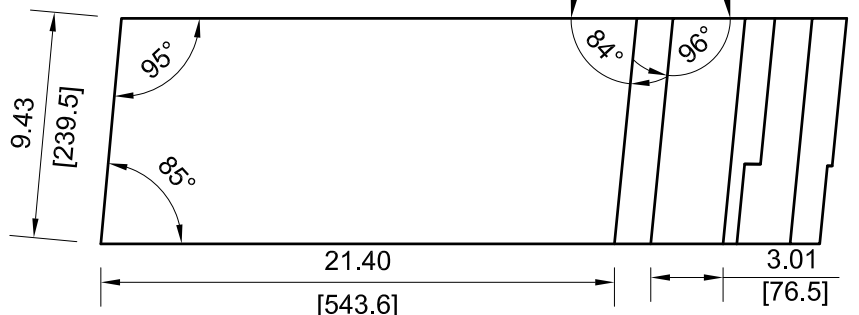


E7-158 F8-158

REAR VIEW RELATIVE TO VIEW D6-158

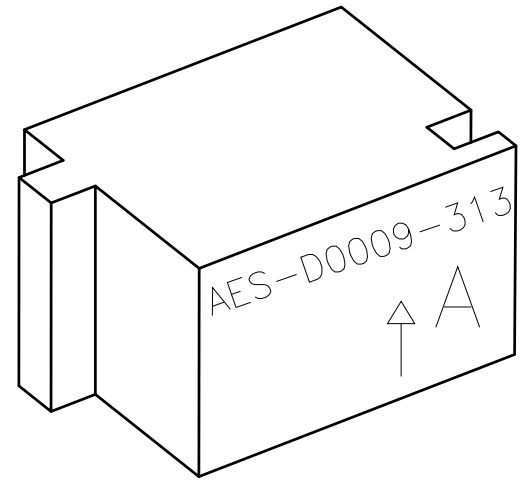


VIEW E7-158

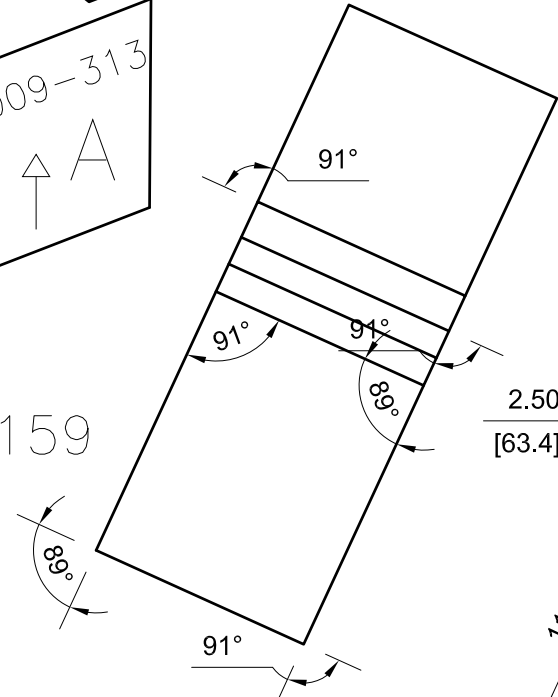


DRAWING NUMBER				
AES-D0009				
SIZE	SCALE	SHEET	OF	REVISION
A3	NONE	158	190	B

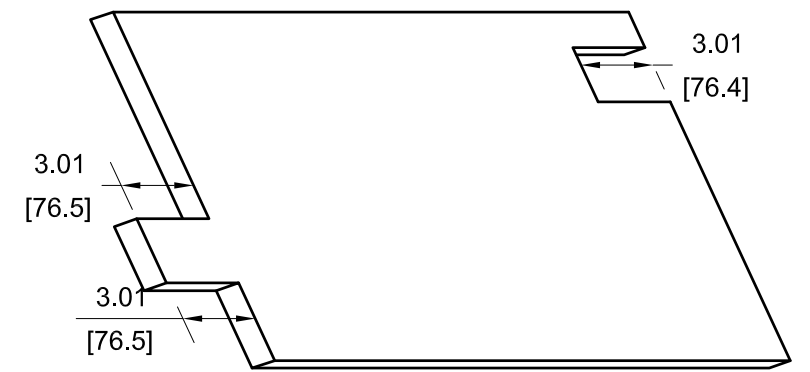
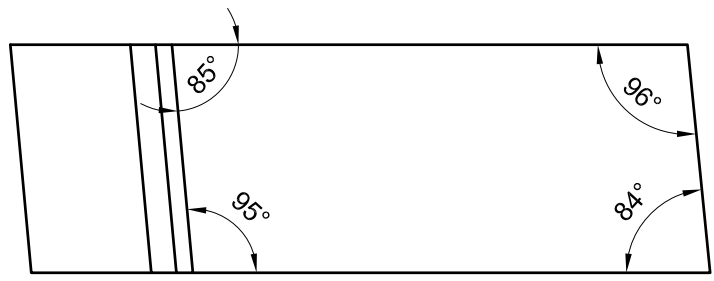
313



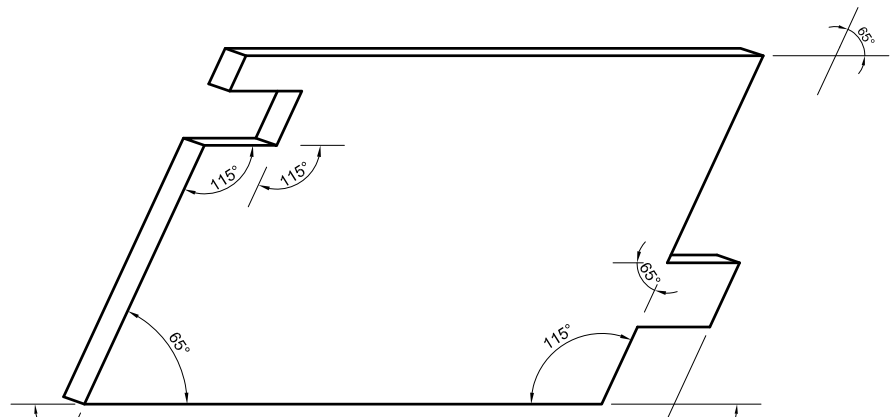
VIEW D3-159



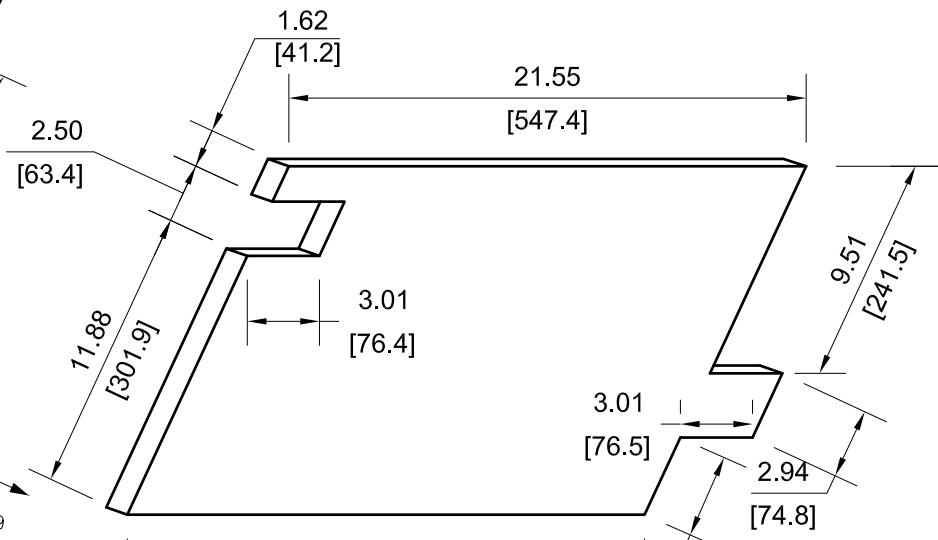
D3-159 c2-159



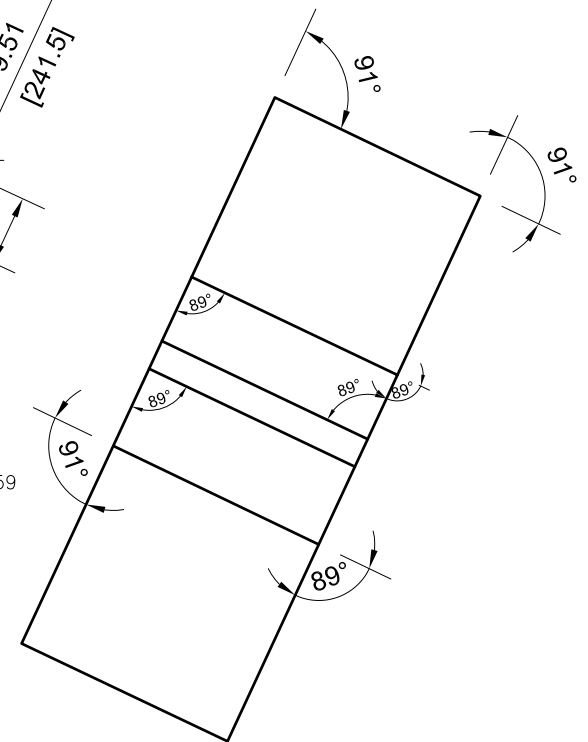
REAR VIEW RELATIVE TO VIEW D5-159



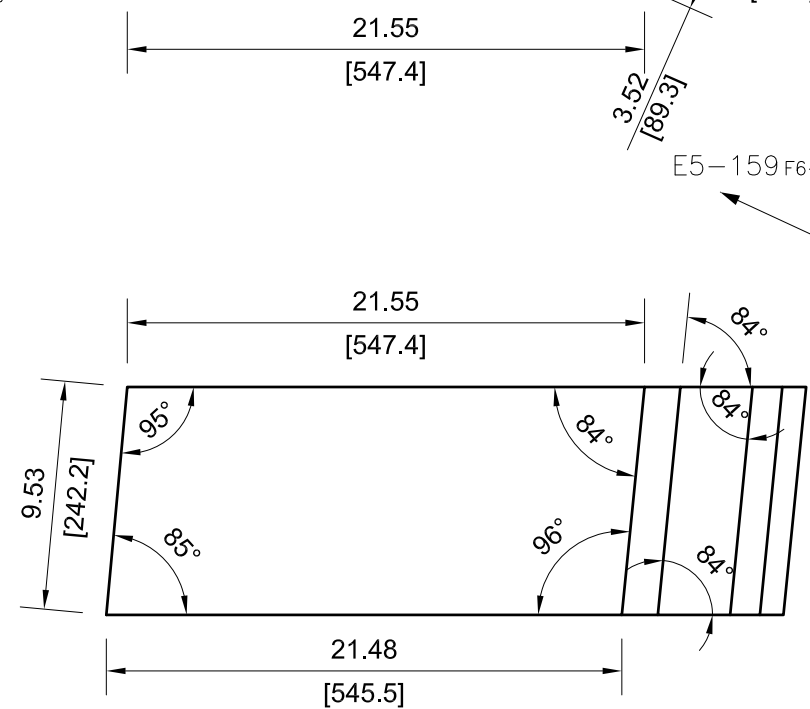
VIEW D5-159 REPEATED FOR CLARITY PURPOSES.



E5-159 F6-159

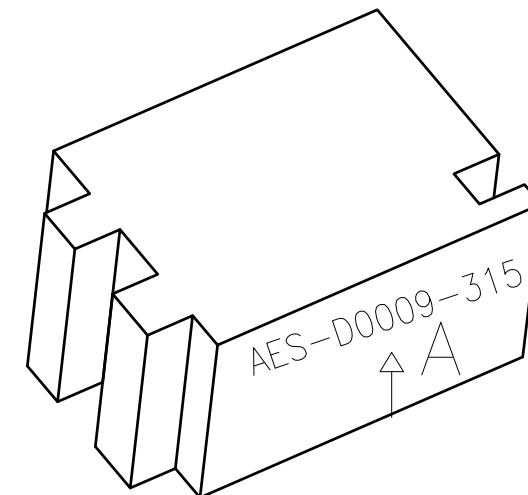
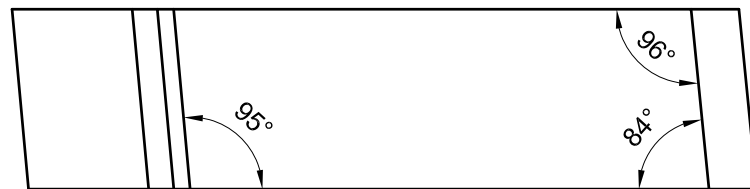


VIEW E5-159

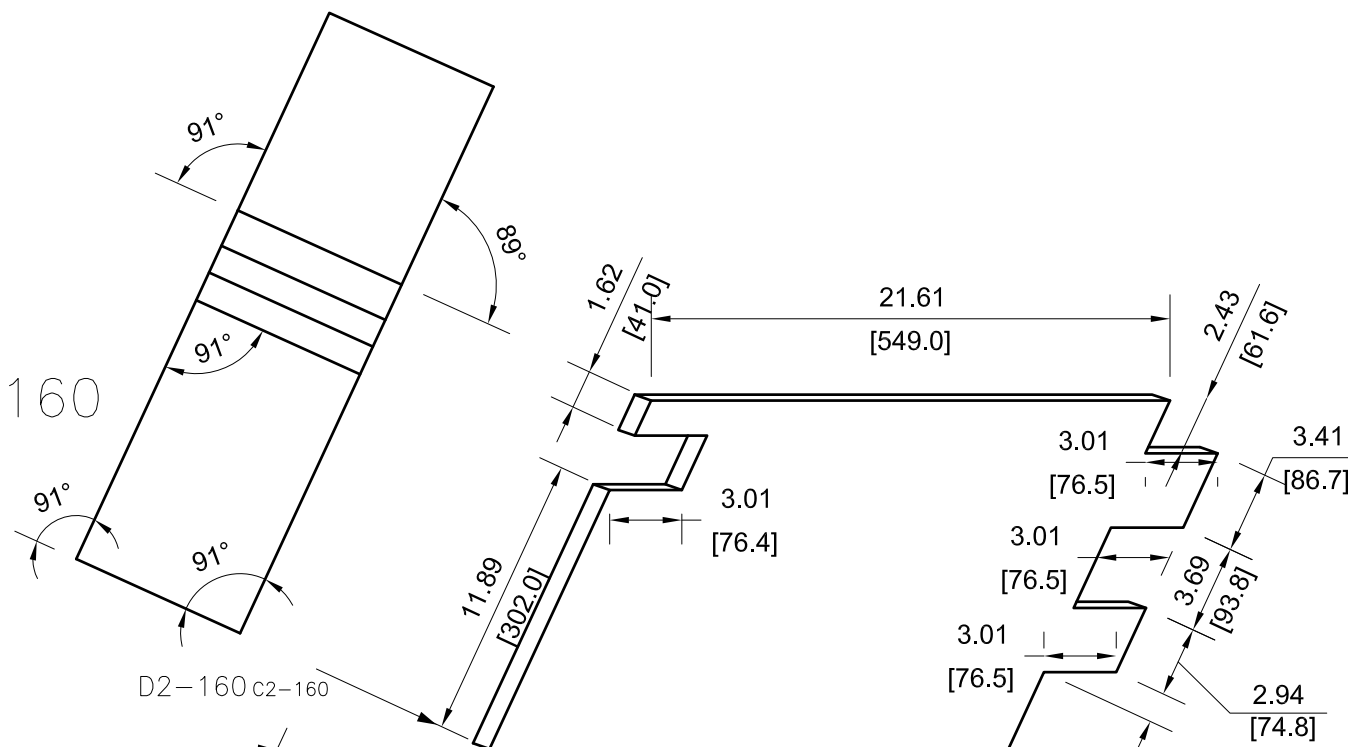


DRAWING NUMBER				
AES-D0009				
SIZE	SCALE	SHEET	OF	REVISION
A3	NONE	159	190	B

- 315

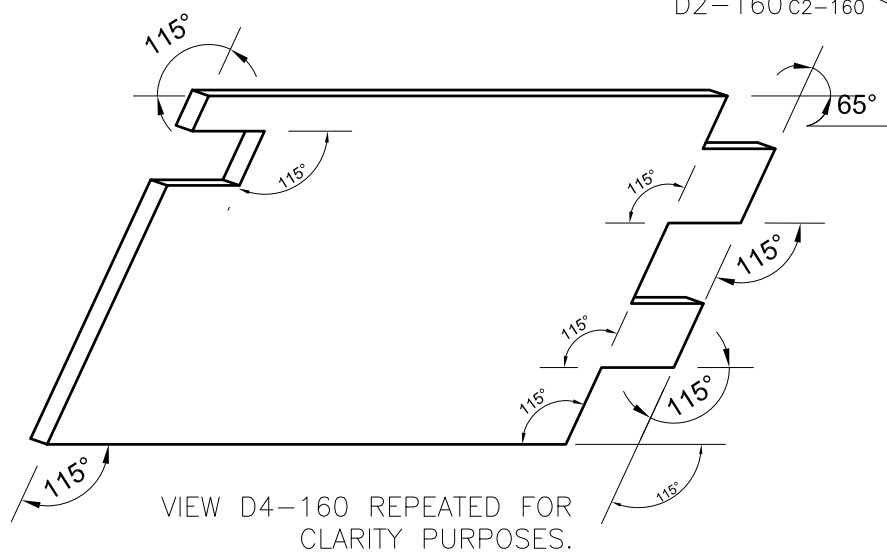


VIEW D2-160

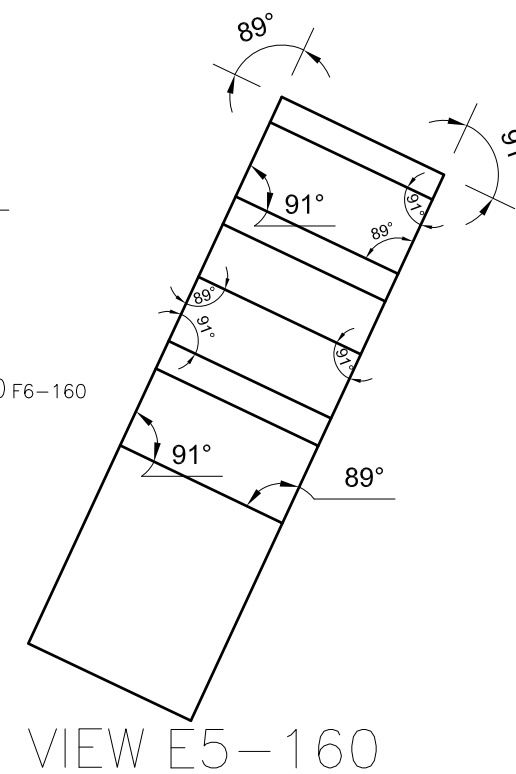
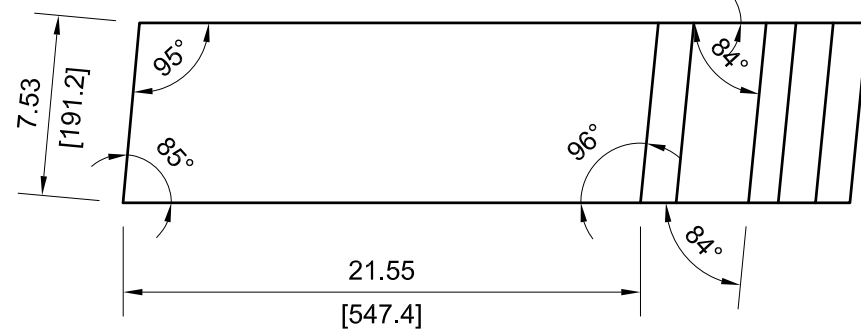


D2-160 c2-160

E5-160 F6-160



VIEW D4-160 REPEATED FOR CLARITY PURPOSES.

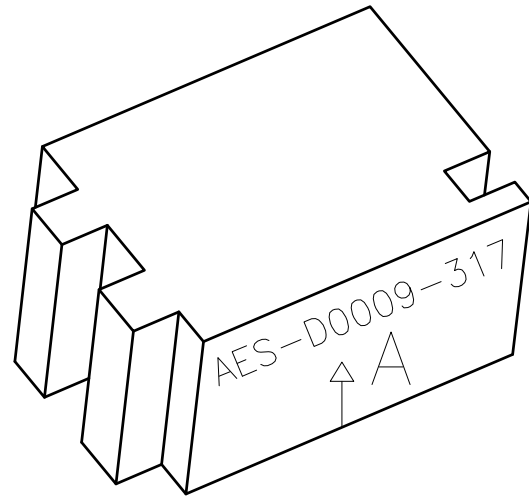


VIEW E5-160

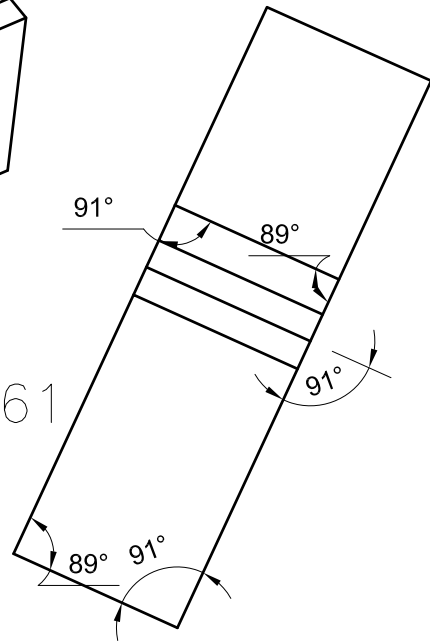


DRAWING NUMBER					AES-D0009				
SIZE	SCALE	SHEET	OF	REVISION					
A3	NONE	160	190	B					

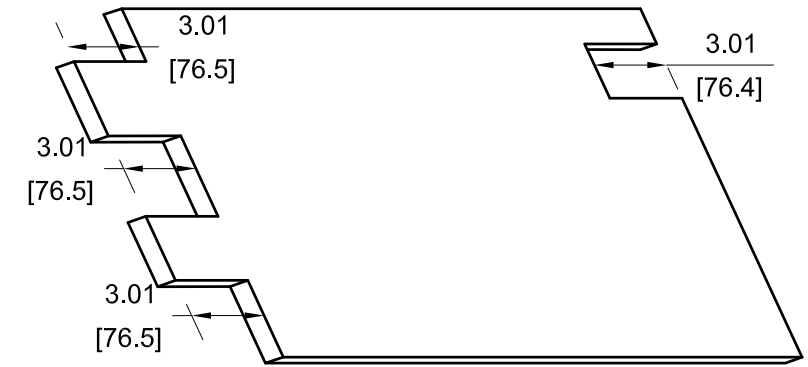
317



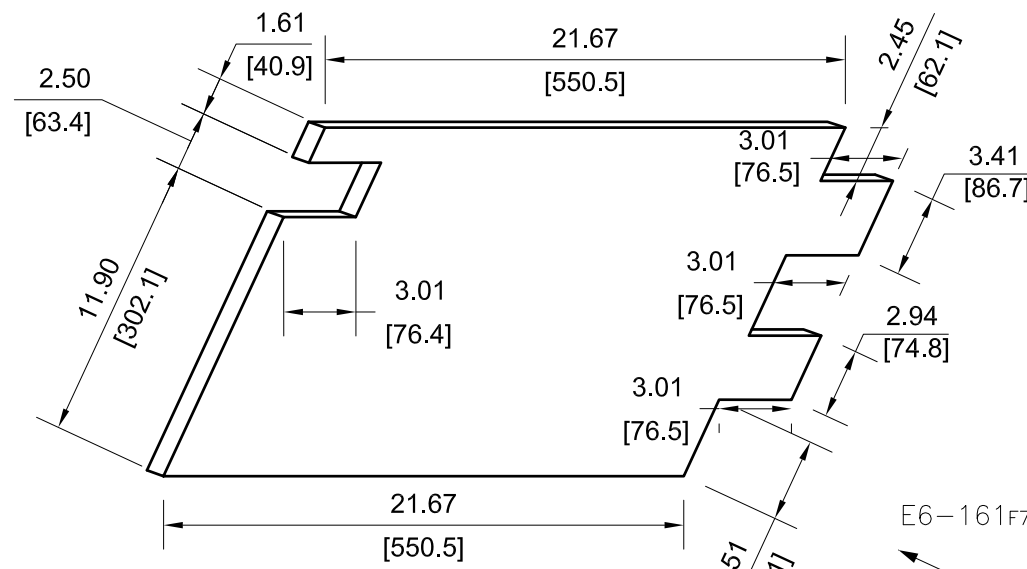
VIEW D3-161



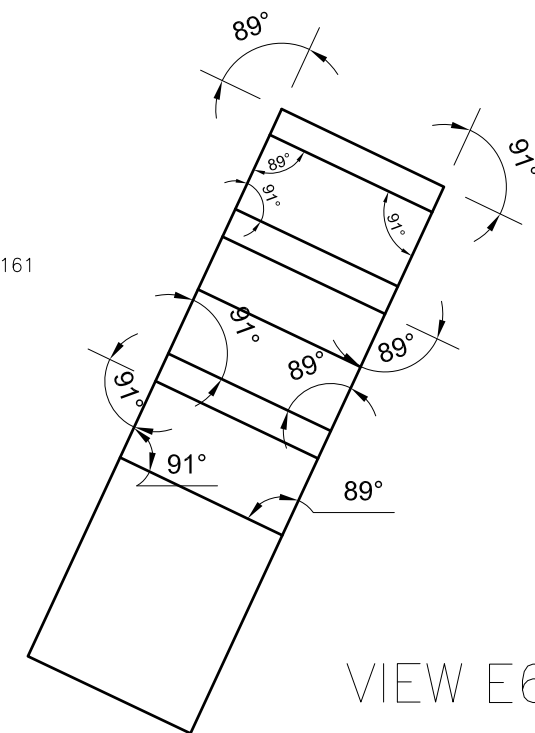
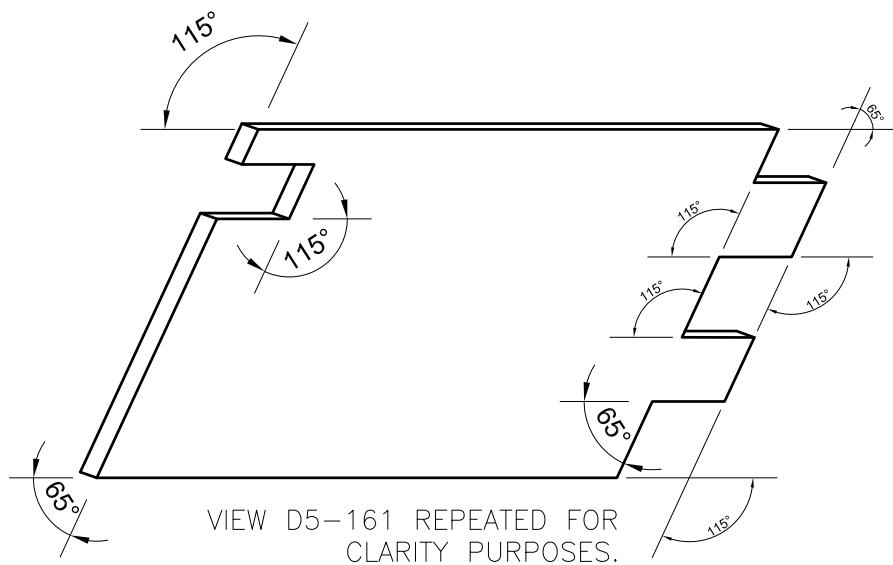
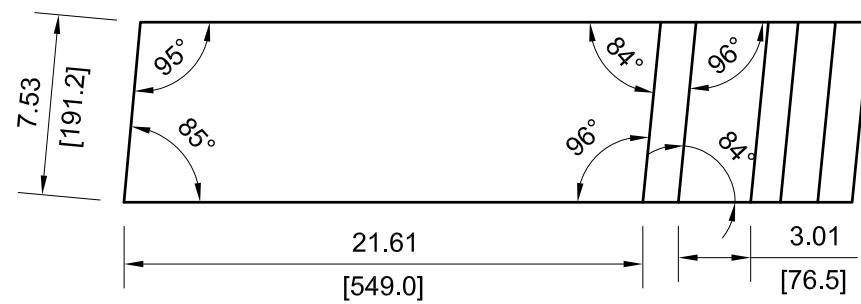
D3-161C2-161



REAR VIEW RELATIVE TO VIEW D5-161



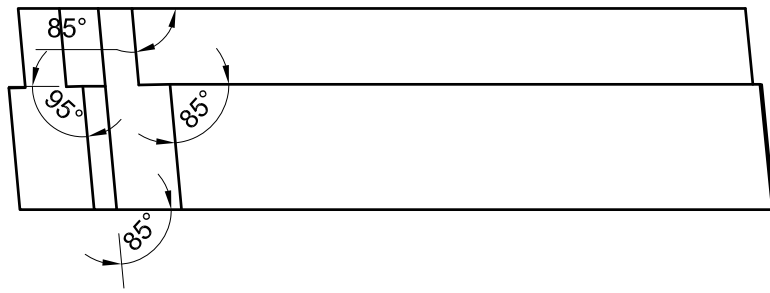
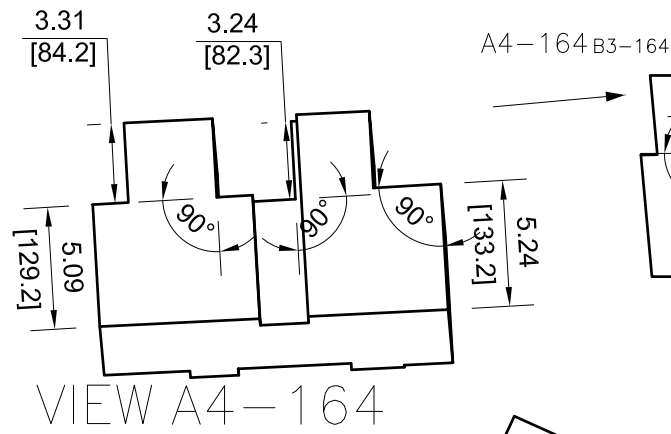
E6-161F7-161



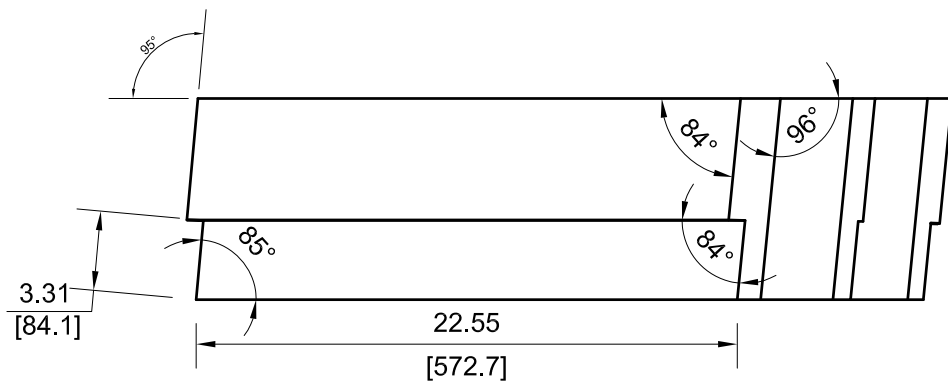
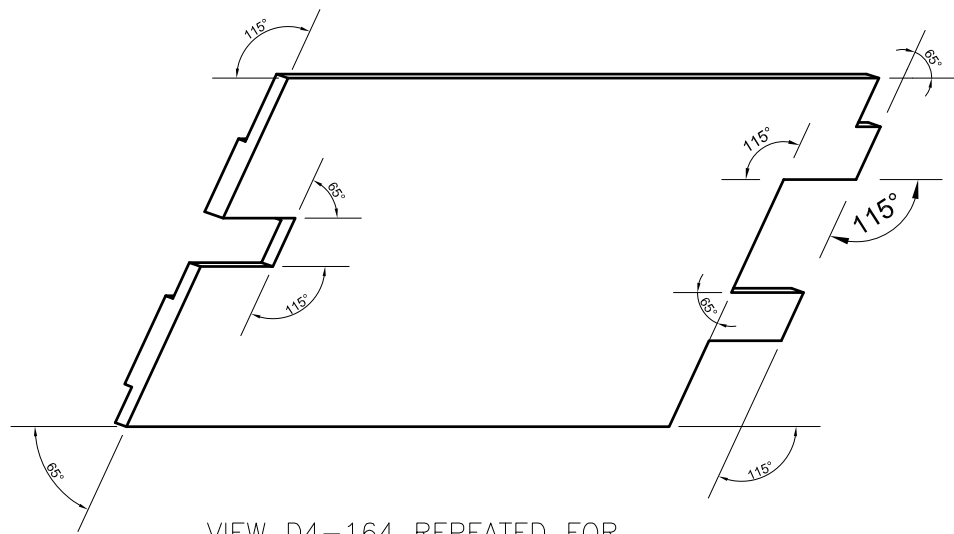
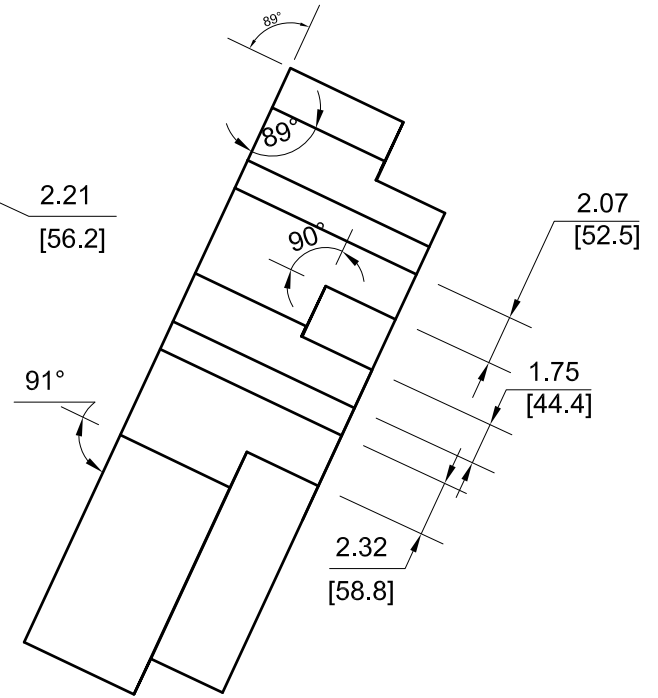
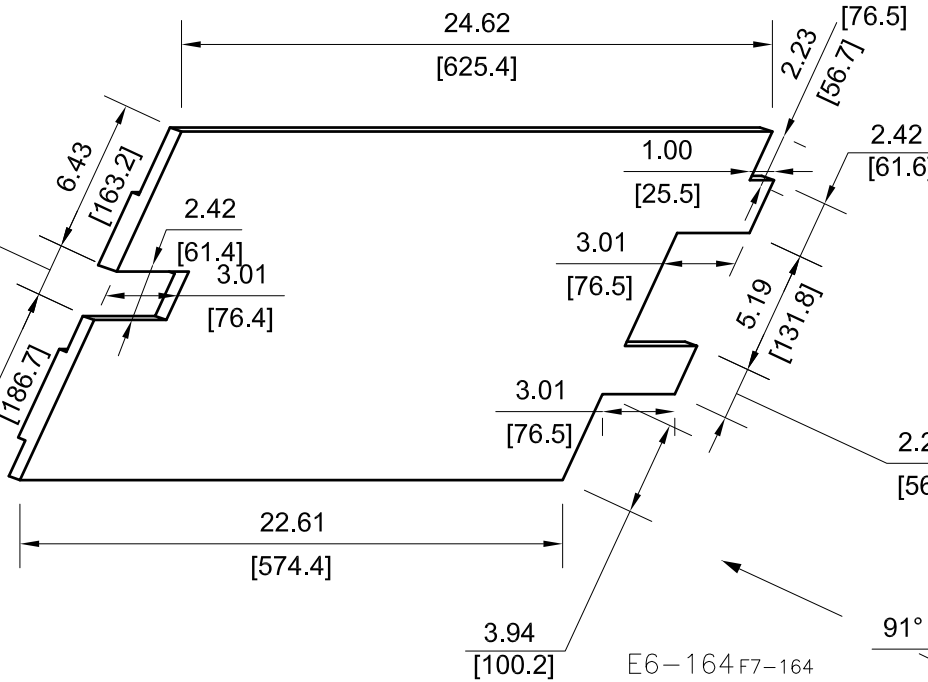
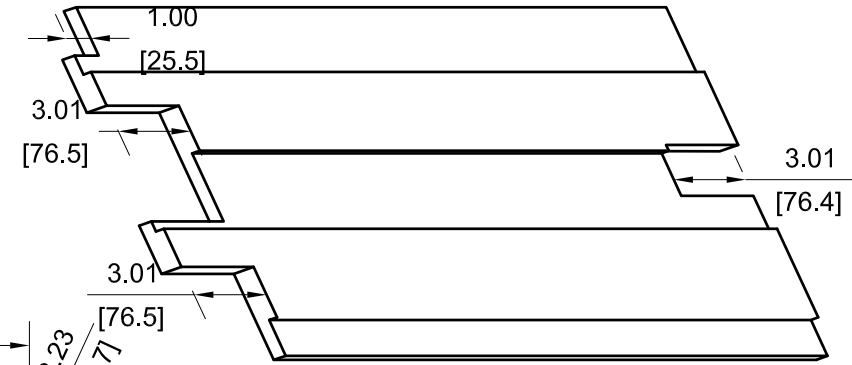
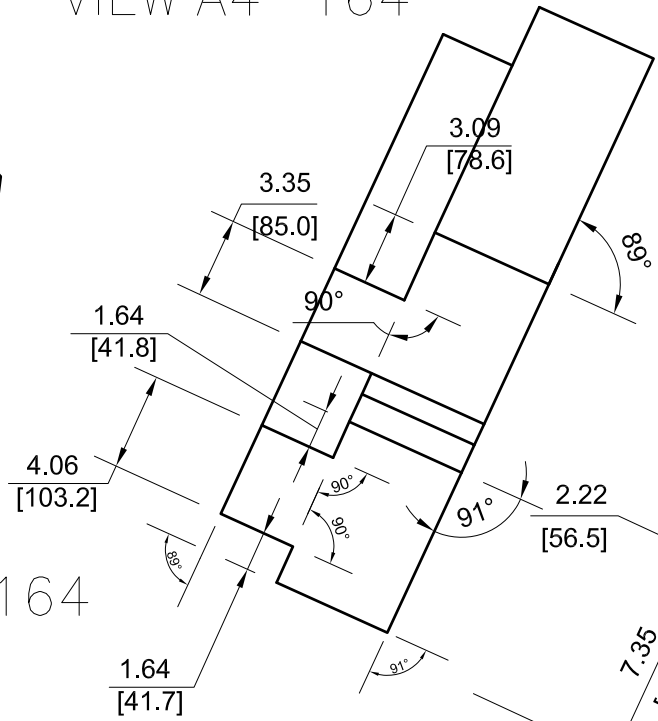
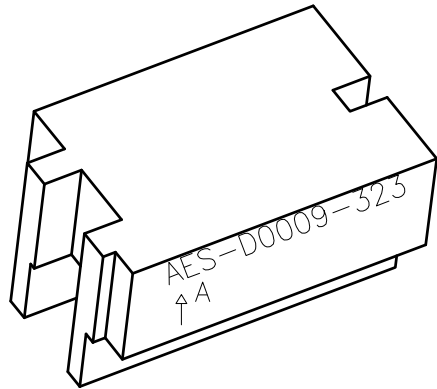
VIEW E6-161



DRAWING NUMBER					AES-D0009	
SIZE	SCALE	SHEET	OF	REVISION		
A3	NONE	161	190	B		

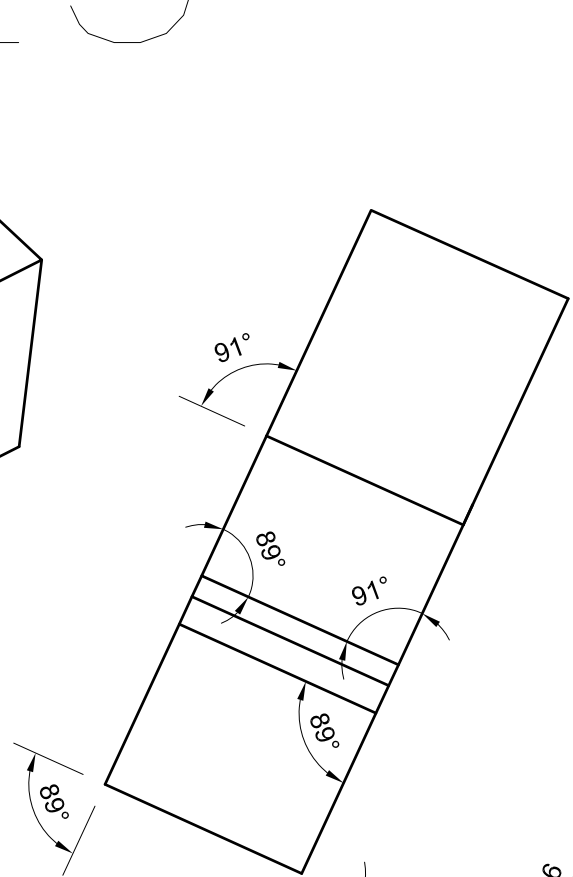
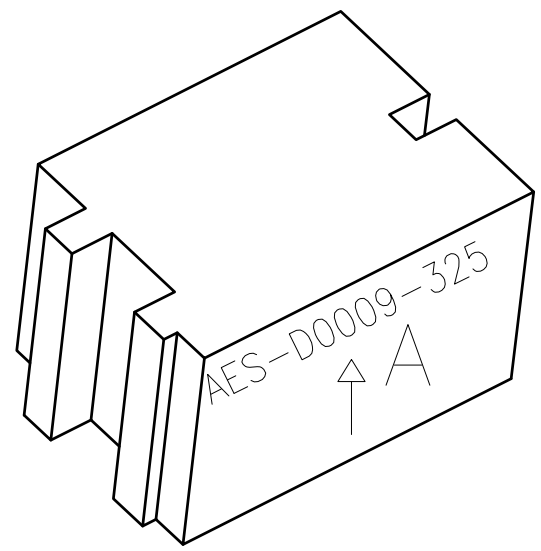


323

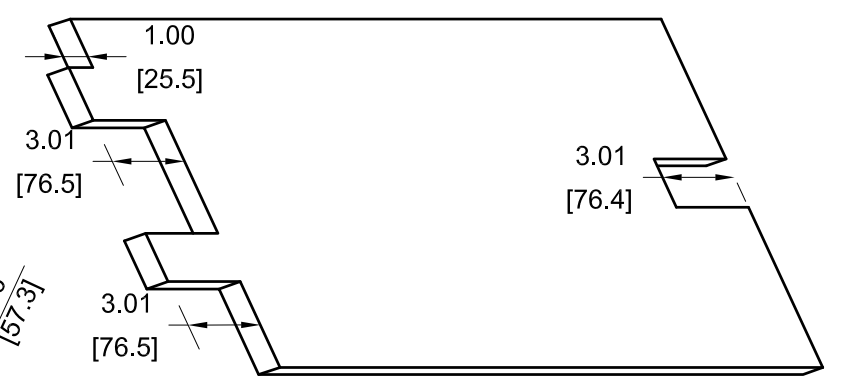
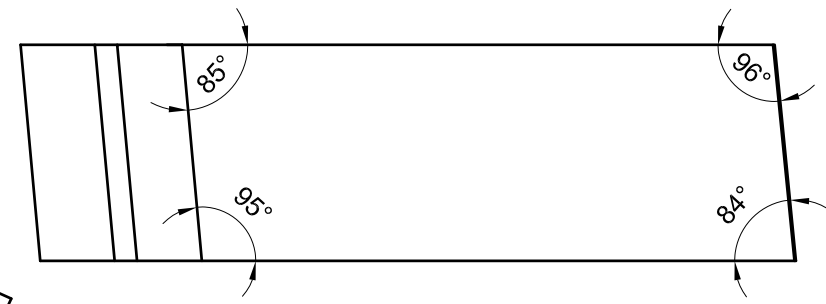


DRAWING NUMBER				
AES-D0009				
SIZE	SCALE	SHEET	OF	REVISION
A3	NONE	164	190	B

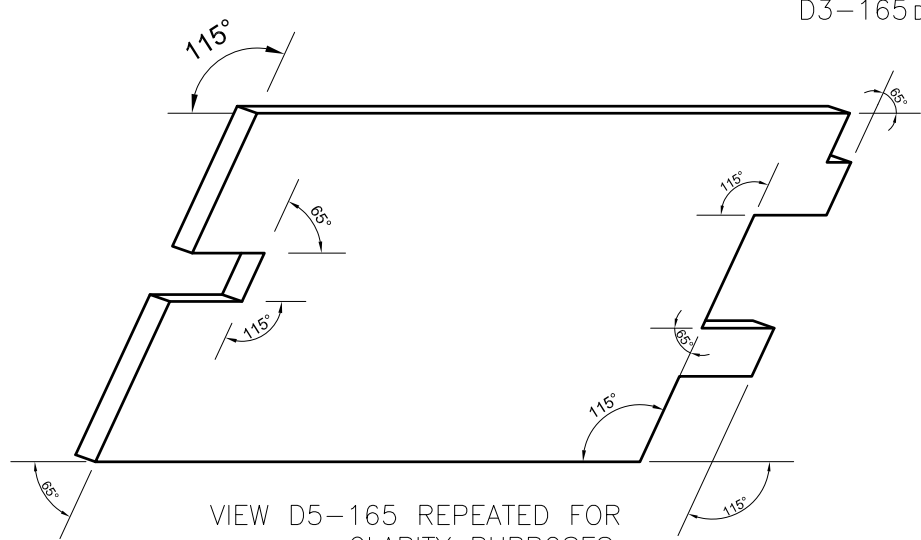
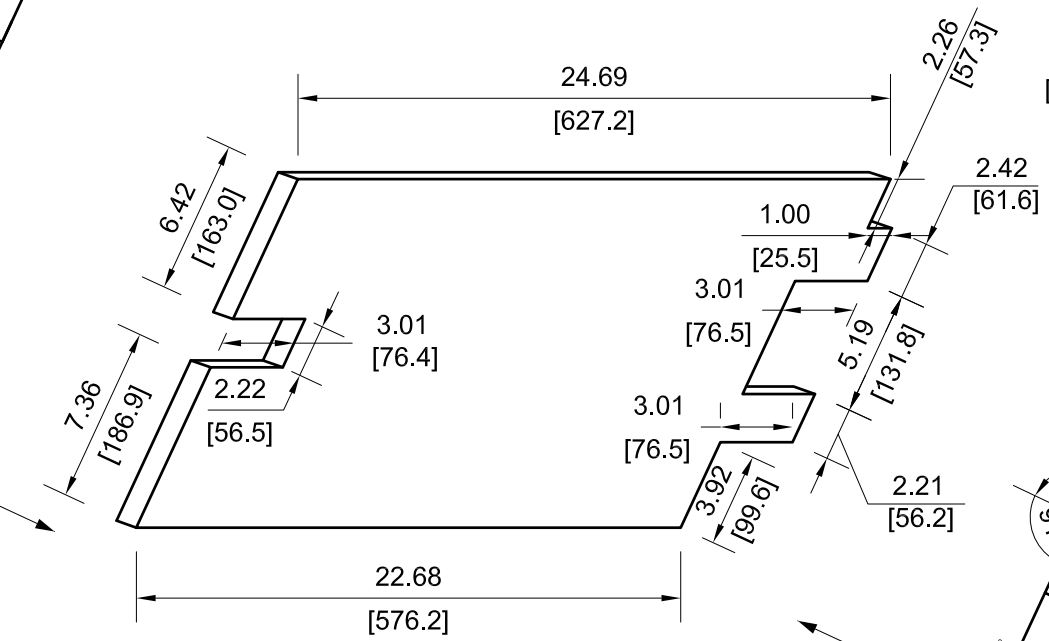
325



VIEW D3-165



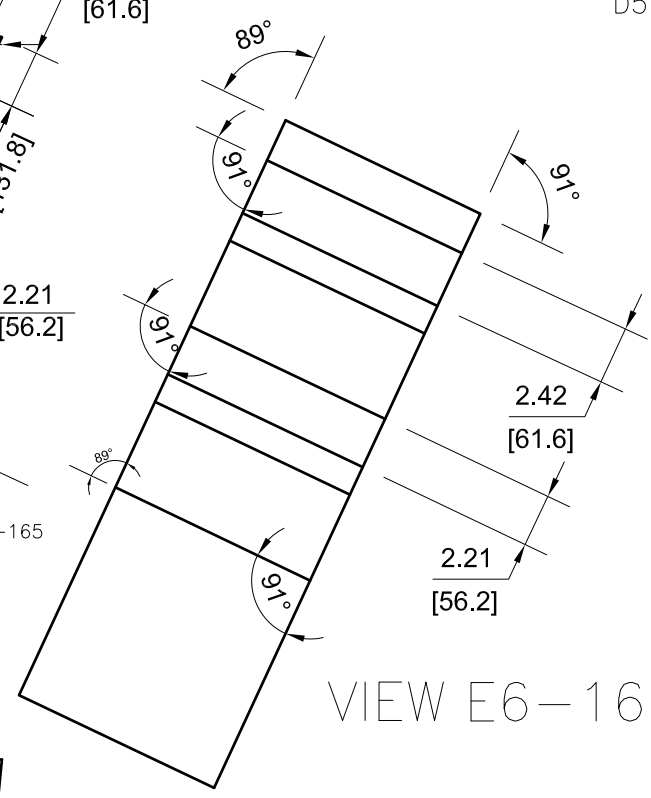
REAR VIEW RELATIVE TO VIEW D5-165



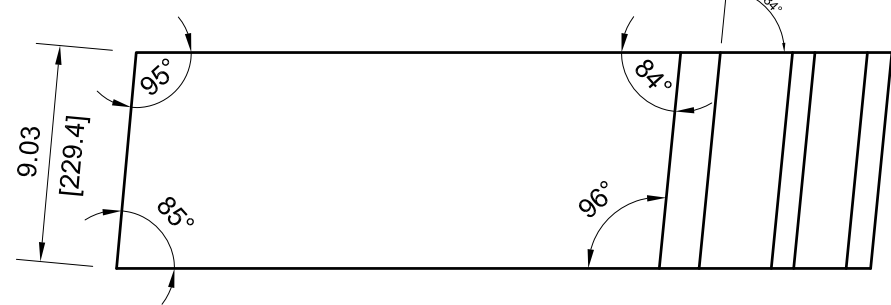
VIEW D5-165 REPEATED FOR CLARITY PURPOSES.

D3-165 D2-165

E6-165 E7-165

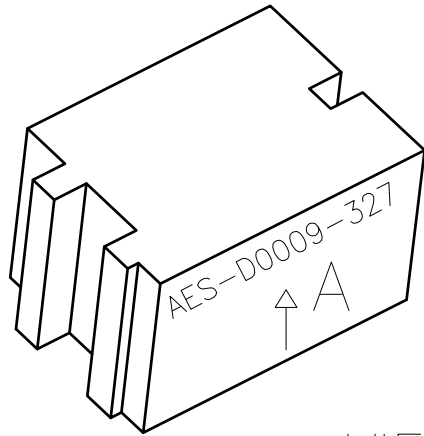


VIEW E6-165

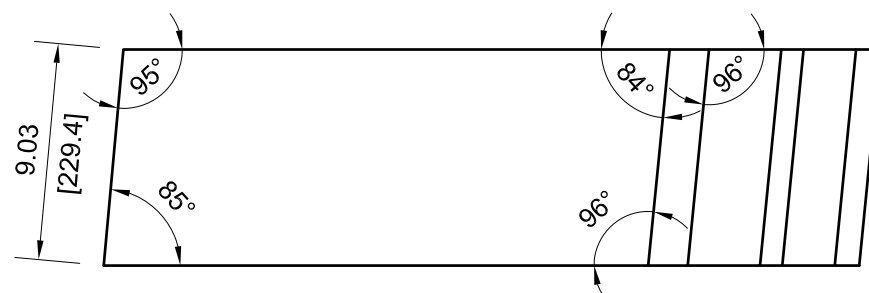
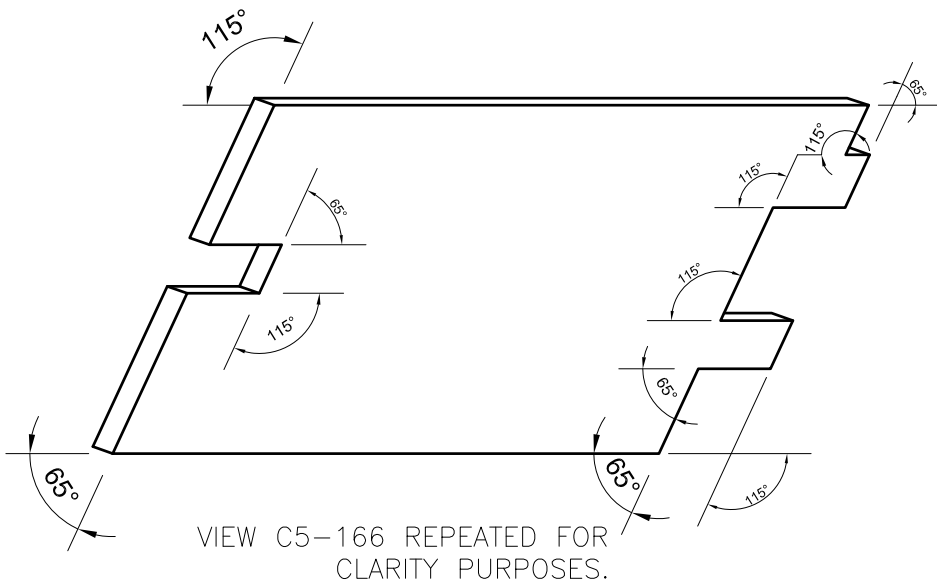
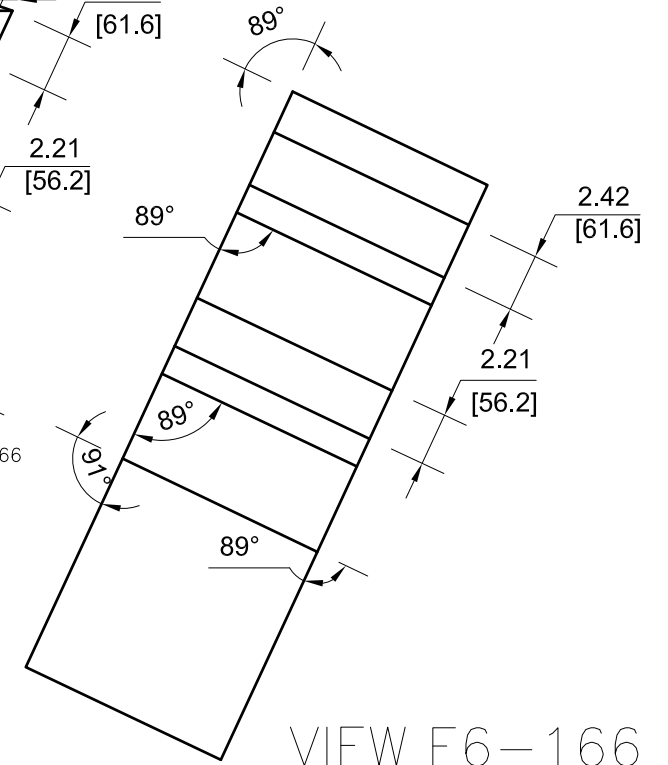
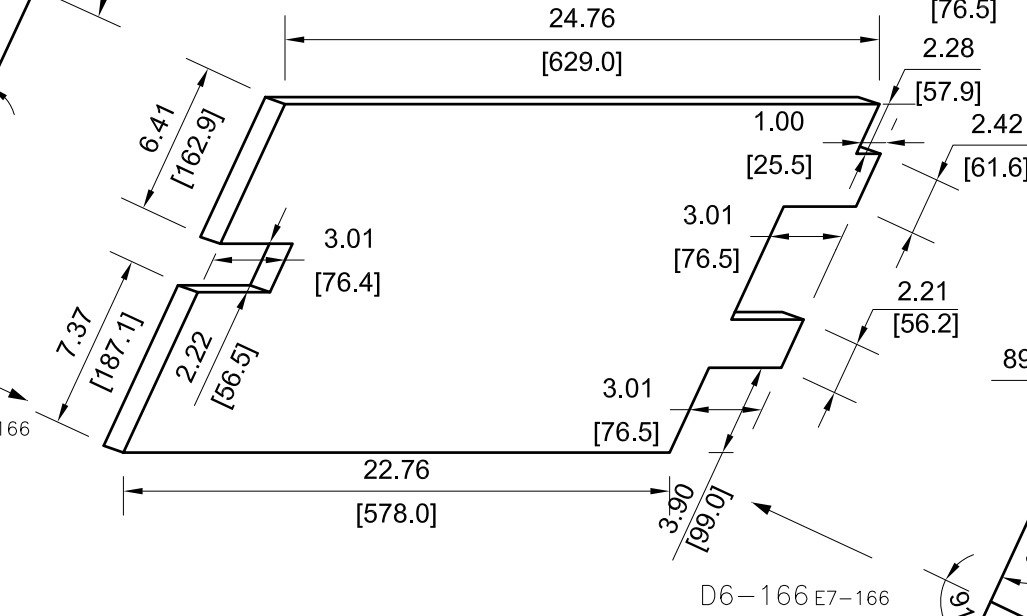
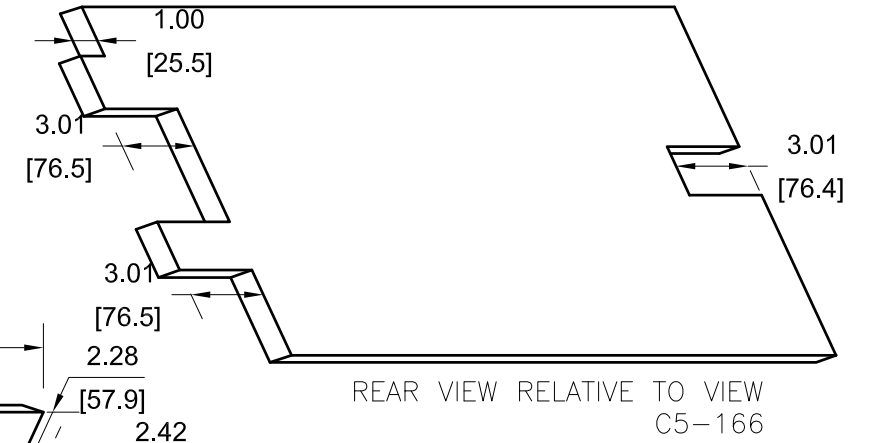
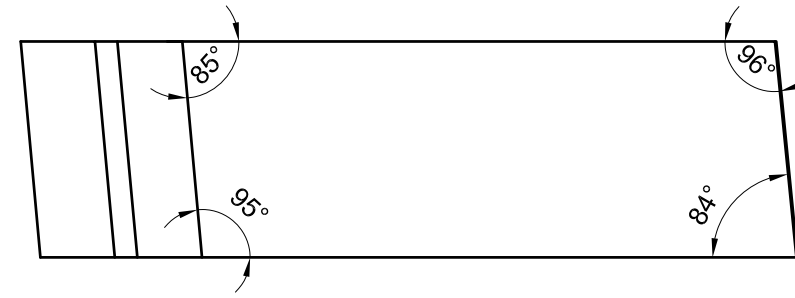
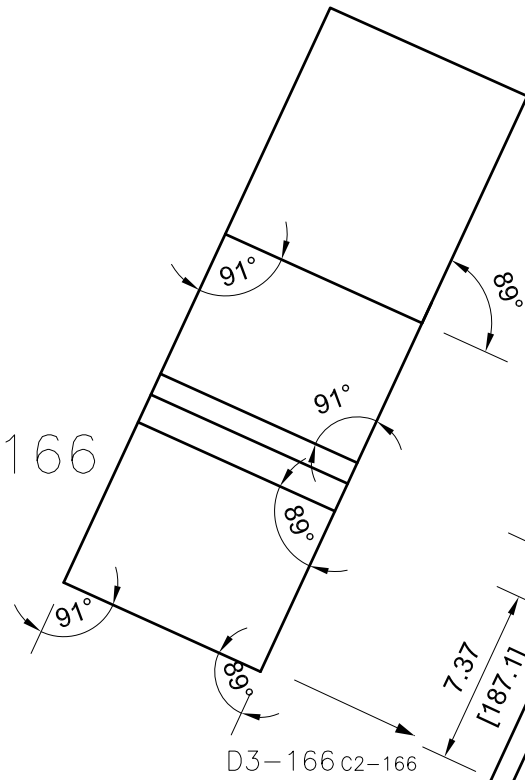


DRAWING NUMBER				
AES-D0009				
SIZE	SCALE	SHEET	OF	REVISION
A3	NONE	165	190	B

327

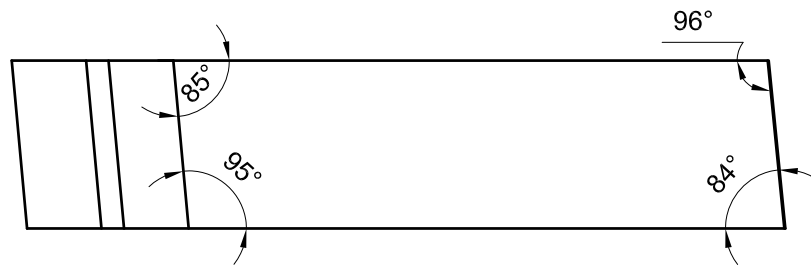
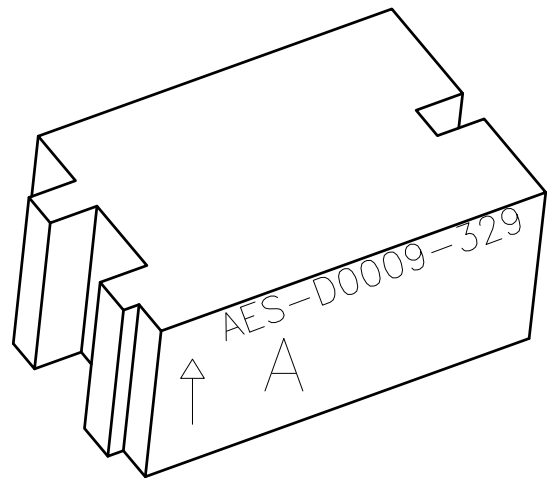


VIEW D3-166

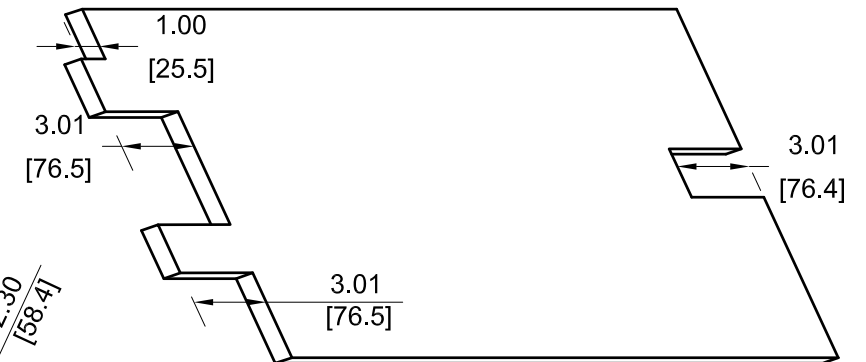
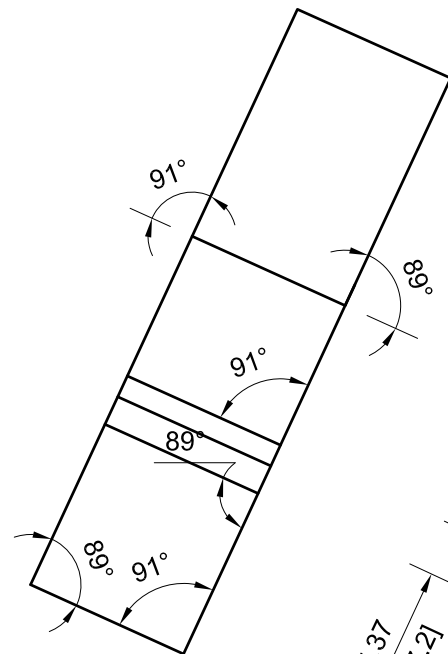


		DRAWING NUMBER			
		AES-D0009			
SIZE	SCALE	SHEET	OF	REVISION	
A3	NONE	166	190	B	

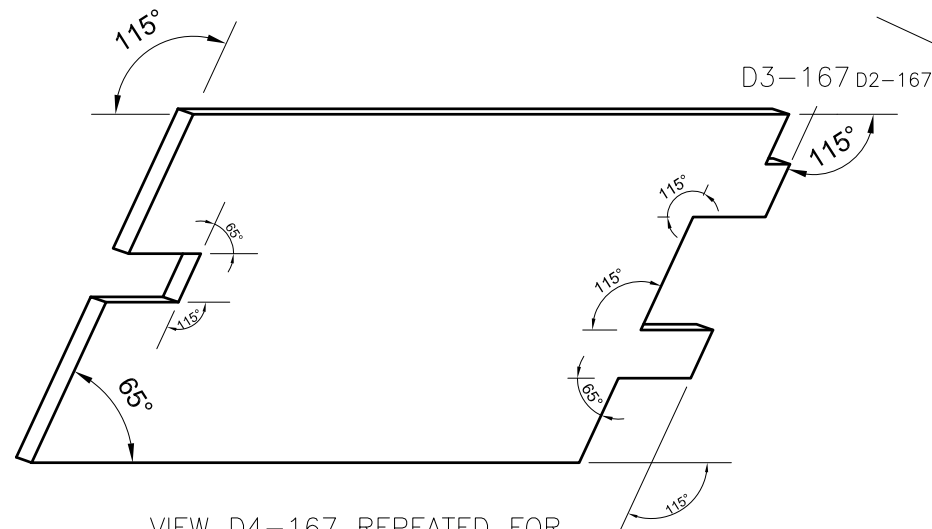
329



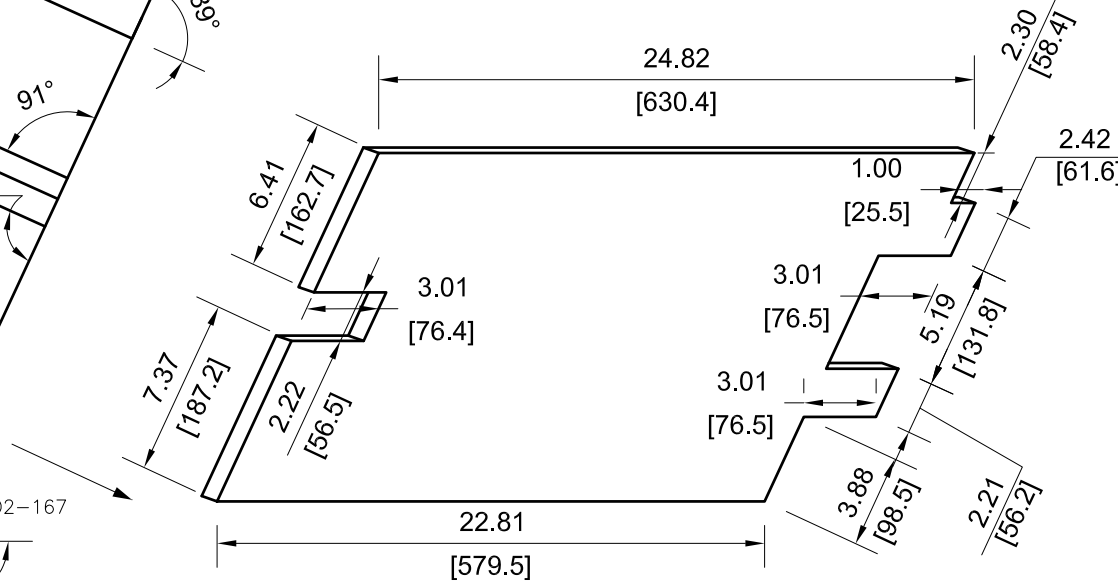
VIEW D3-167



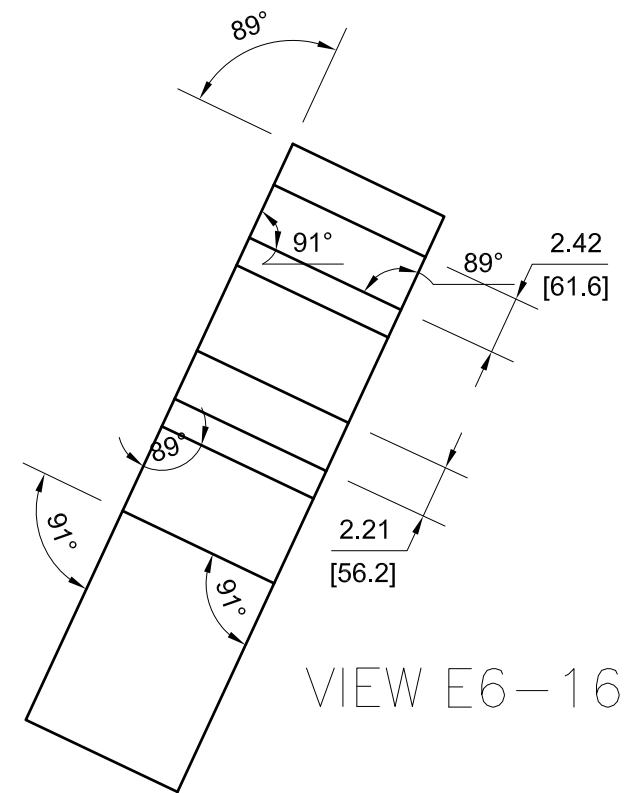
REAR VIEW RELATIVE TO VIEW D4-167



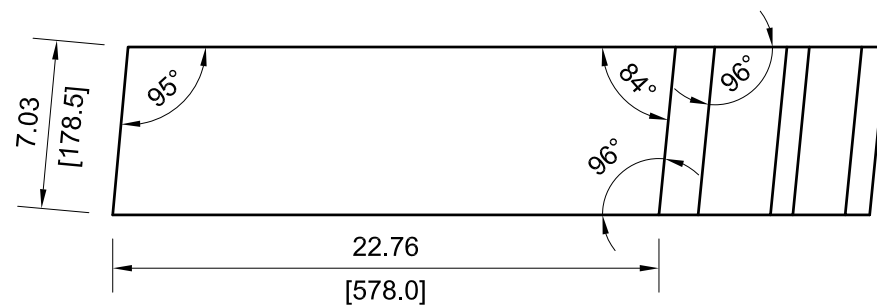
VIEW D4-167 REPEATED FOR CLARITY PURPOSES.



E6-167 F7-167

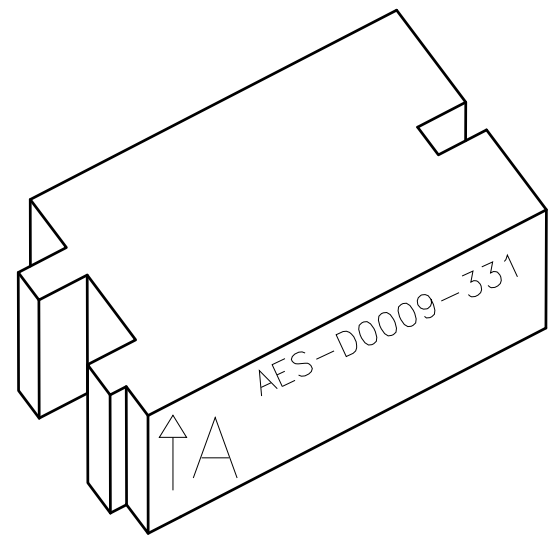


VIEW E6-167

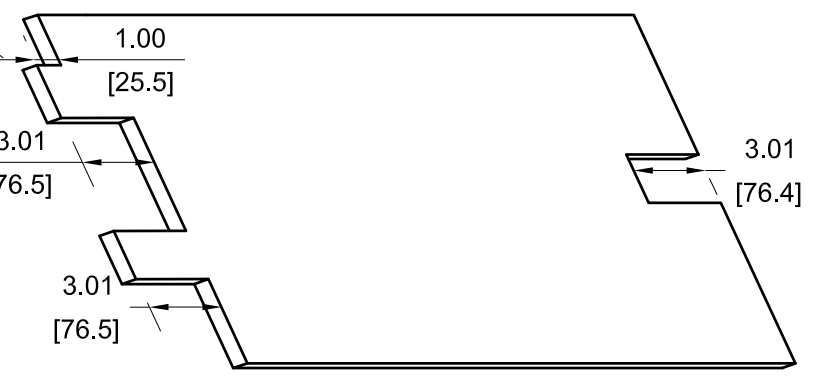
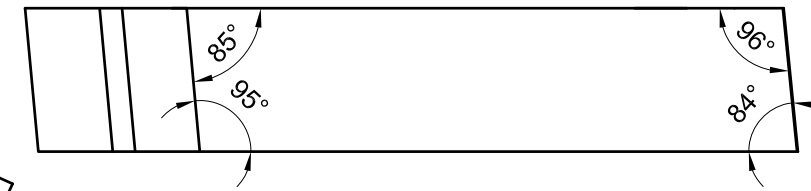
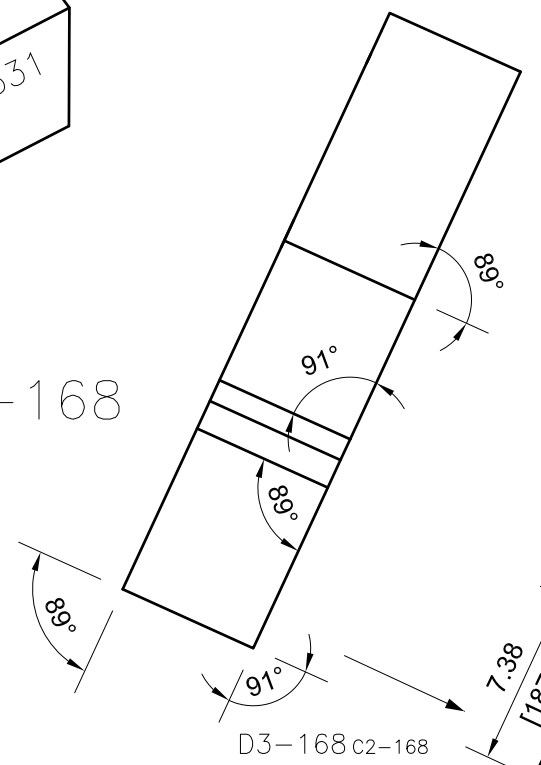


DRAWING NUMBER				
AES-D0009				
SIZE	SCALE	SHEET	OF	REVISION
A3	NONE	167	190	B

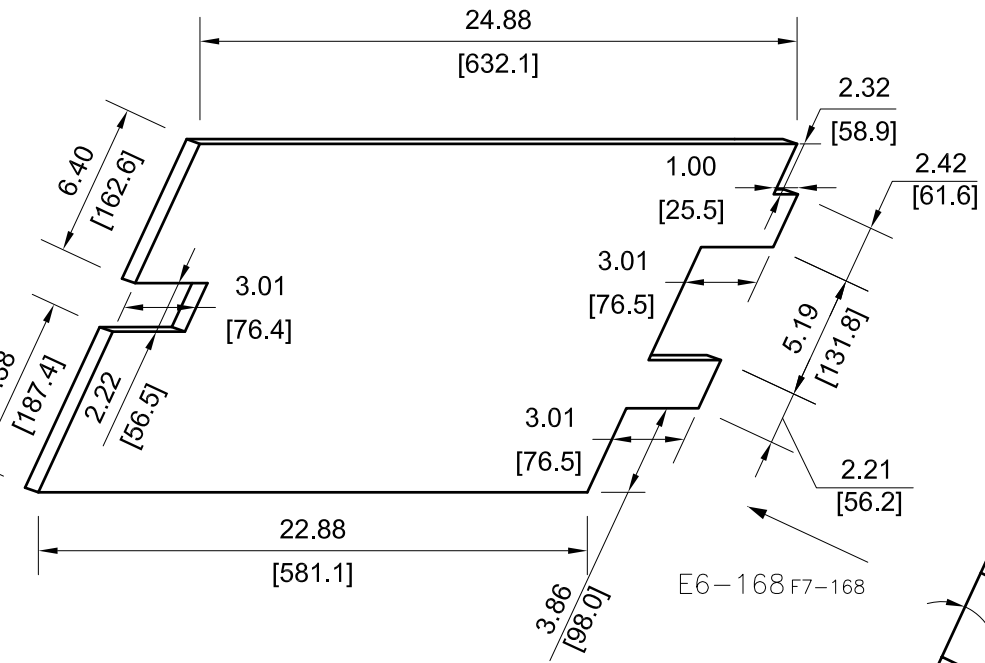
331



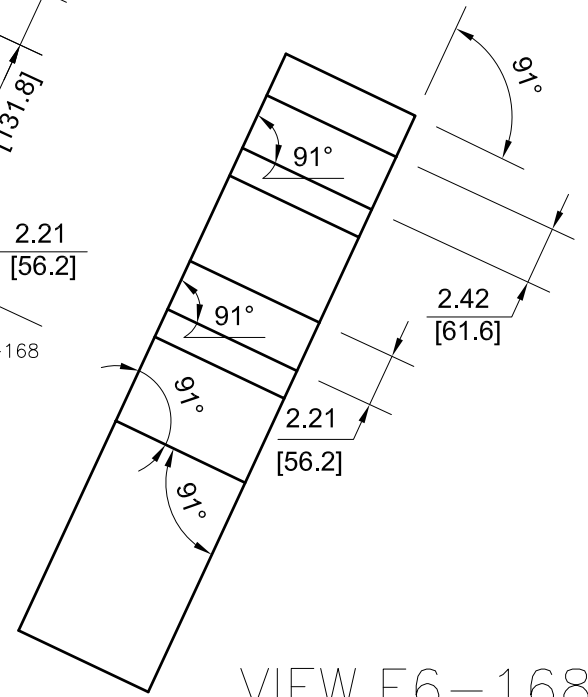
VIEW D3-168



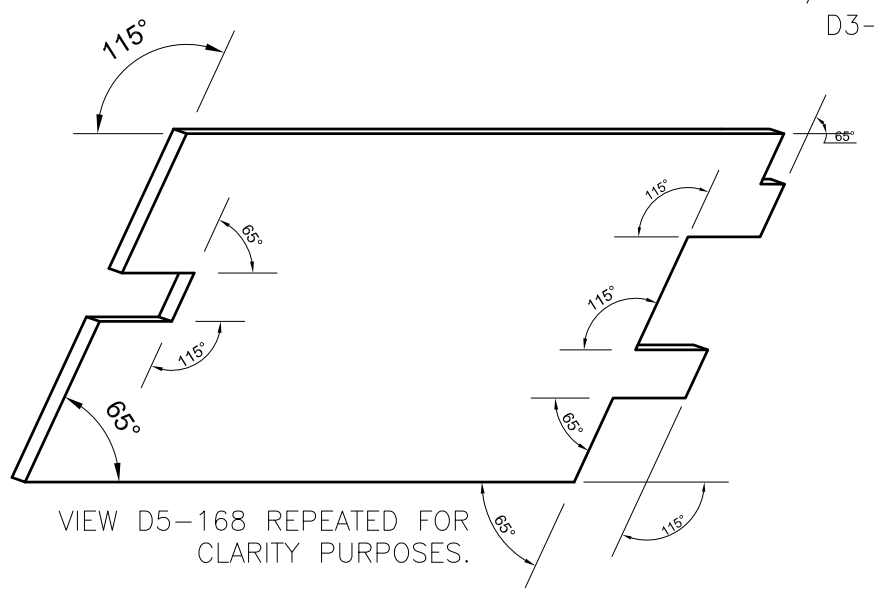
REAR VIEW RELATIVE TO VIEW D5-168



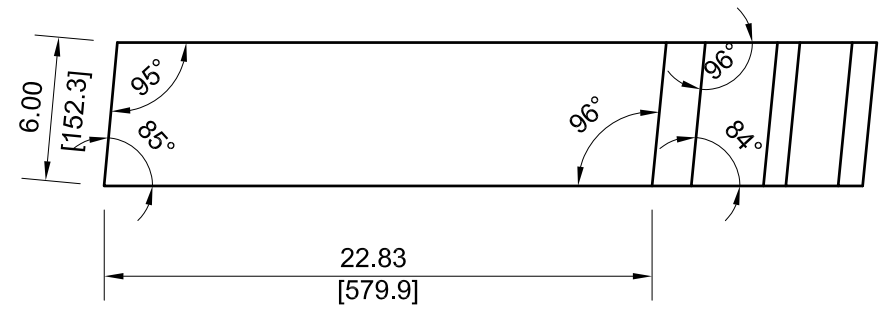
E6-168 F7-168



VIEW E6-168



VIEW D5-168 REPEATED FOR CLARITY PURPOSES.

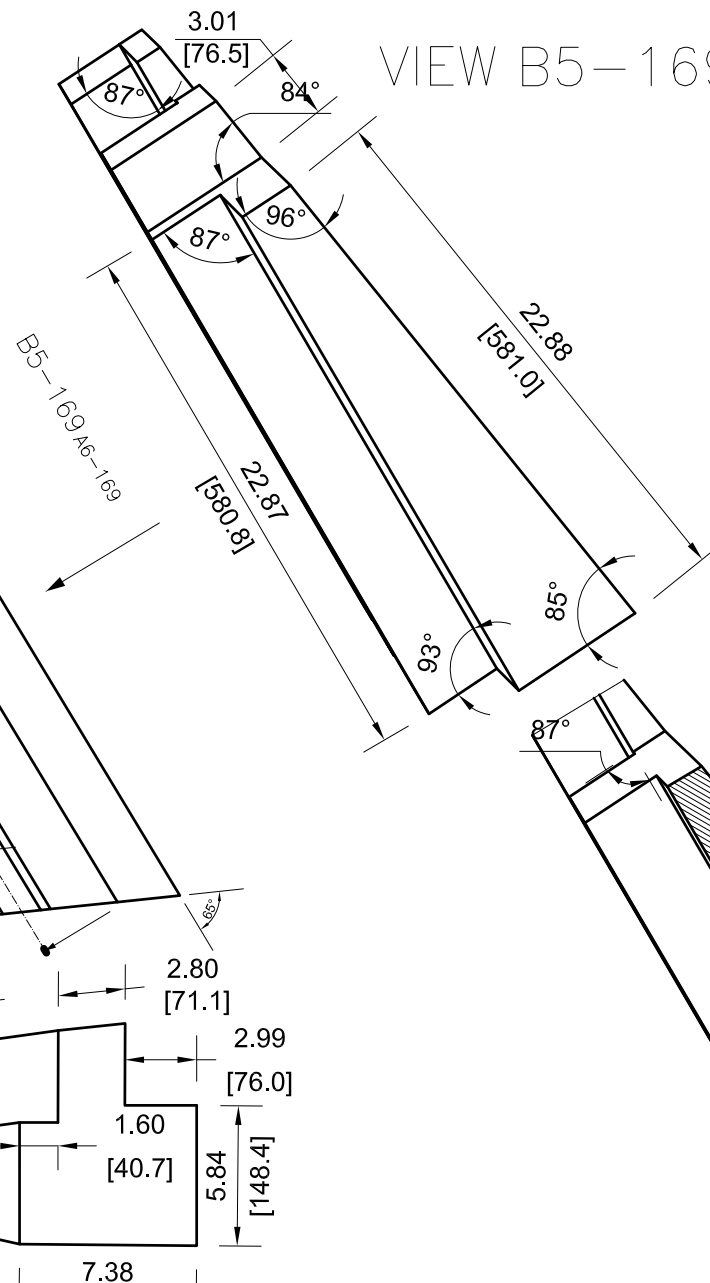
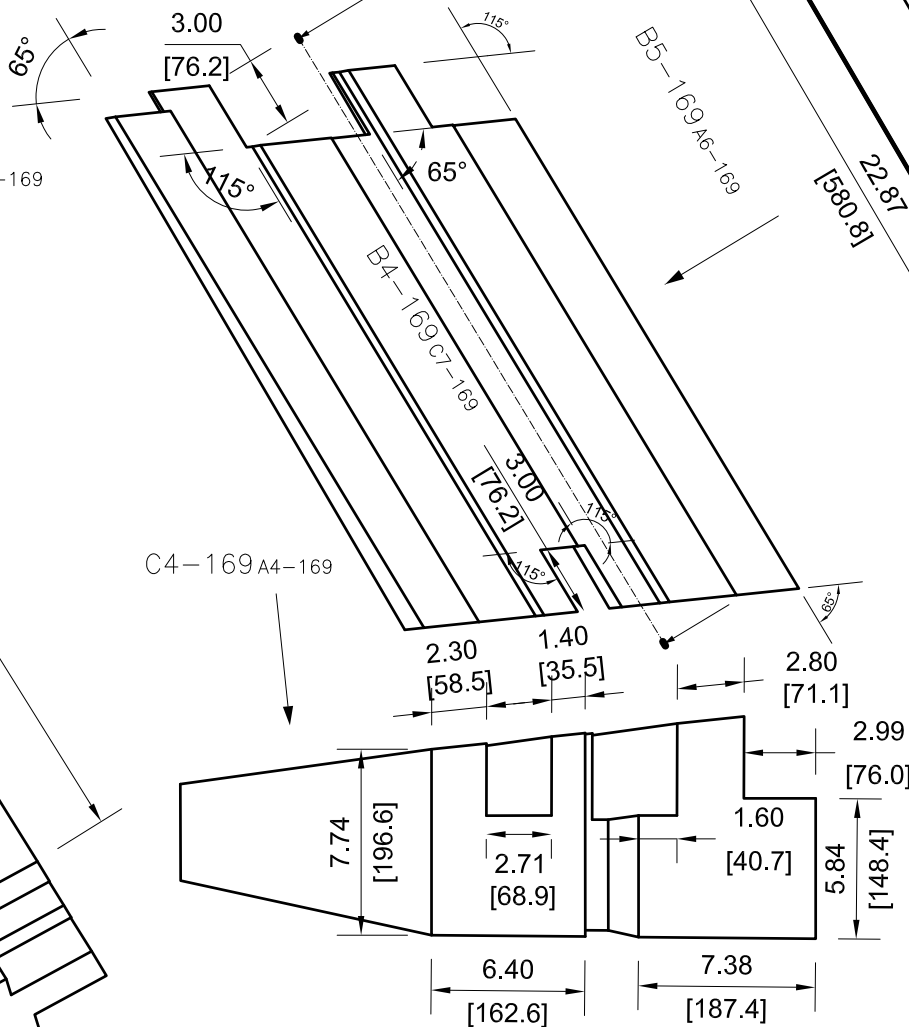
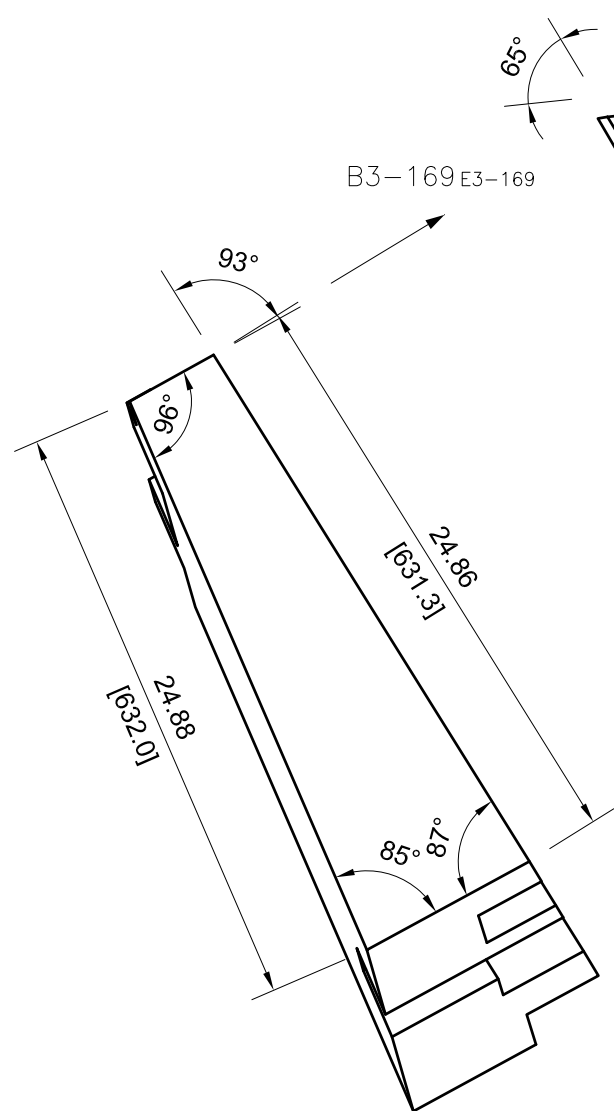
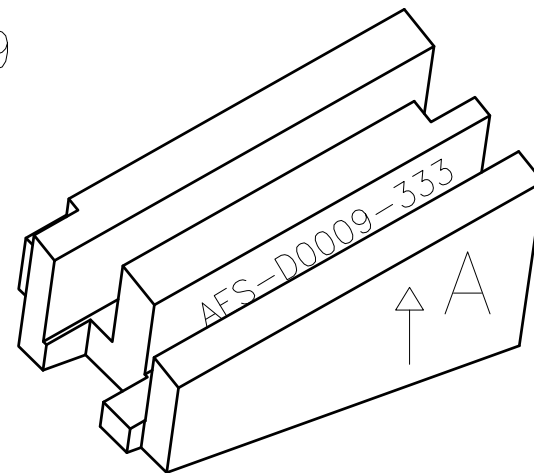


		DRAWING NUMBER			
		AES-D0009			
SIZE	SCALE	SHEET	OF	REVISION	
A3	NONE	168	190	B	

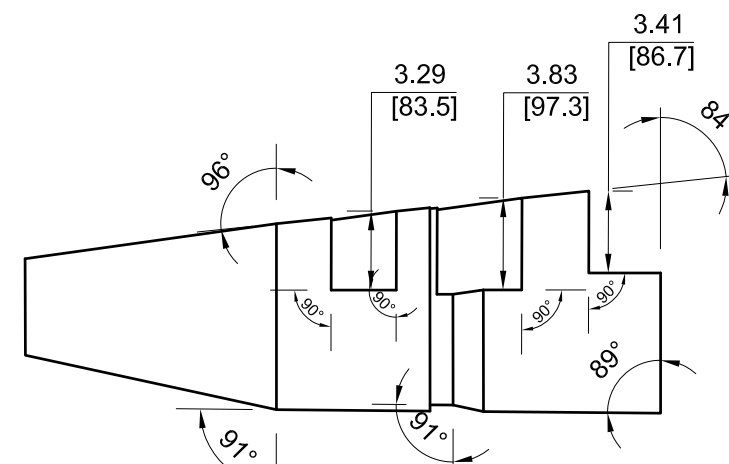
333

VIEW C4-169

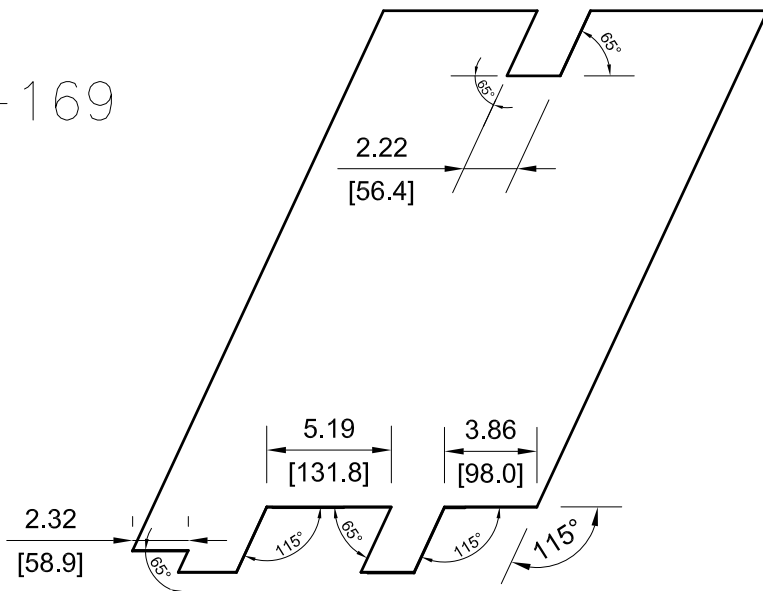
VIEW B5-169



SECTION VIEW B4-169



VIEW B3-169



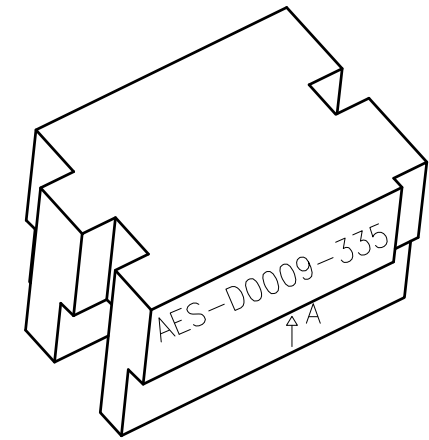
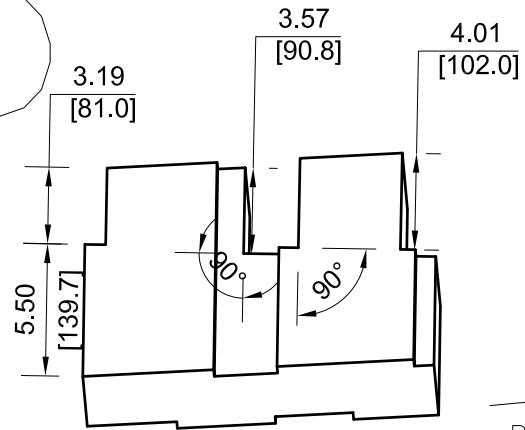
VIEW D4-169 REPEATED FOR CLARITY PURPOSES.



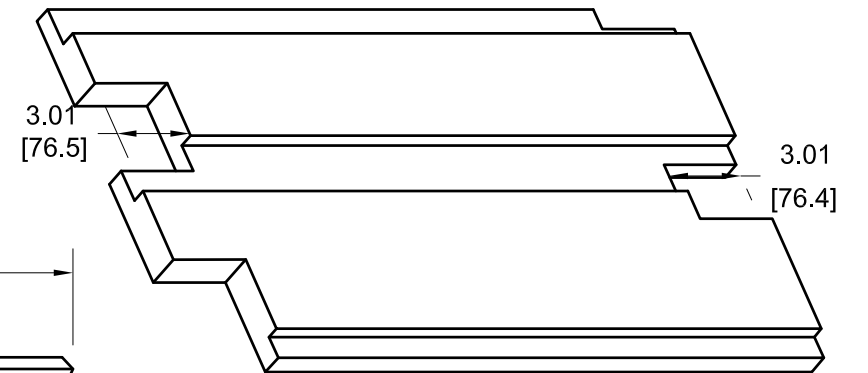
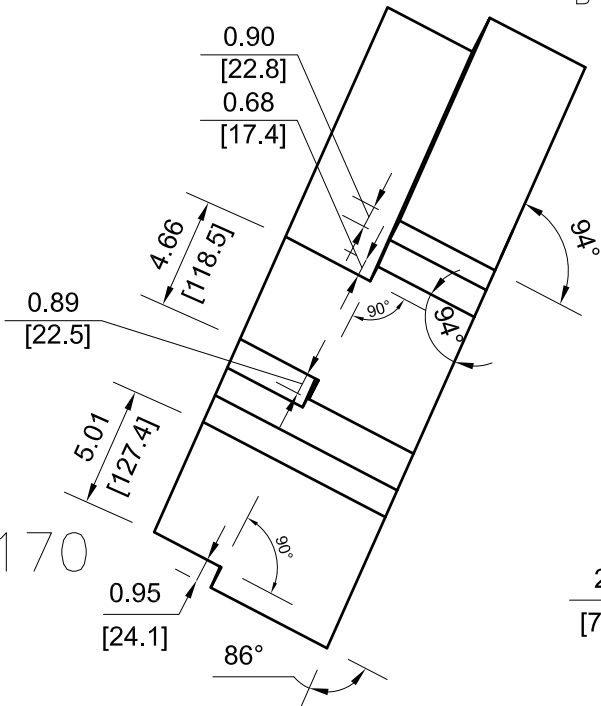
DRAWING NUMBER				
AES-D0009				
SIZE	SCALE	SHEET	OF	REVISION
A3	NONE	169	190	B

335

VIEW B4-170



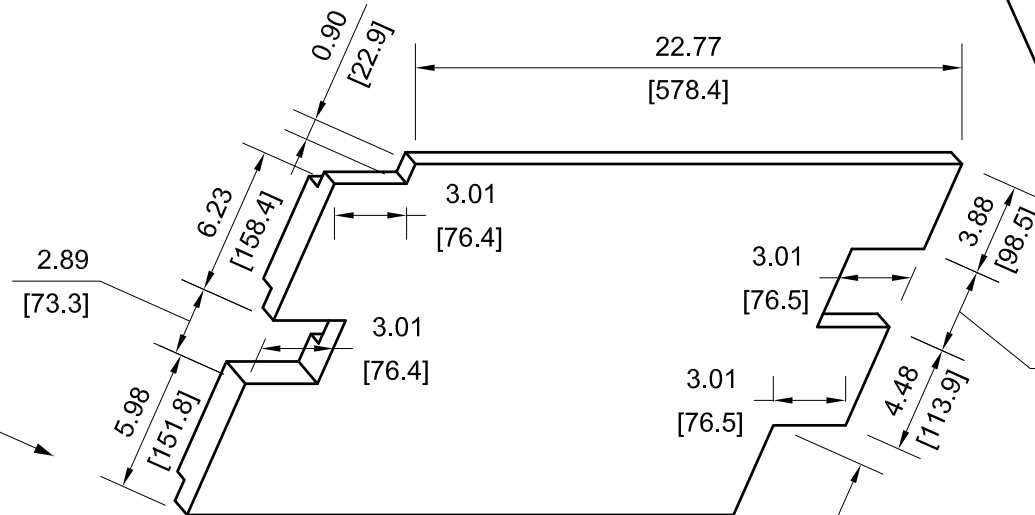
B4-170 A3-170



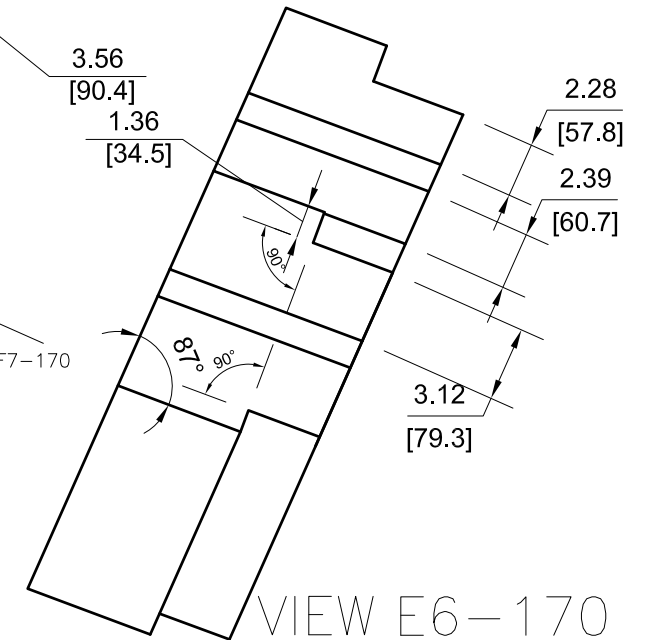
REAR VIEW RELATIVE TO VIEW D5-170

VIEW D3-170

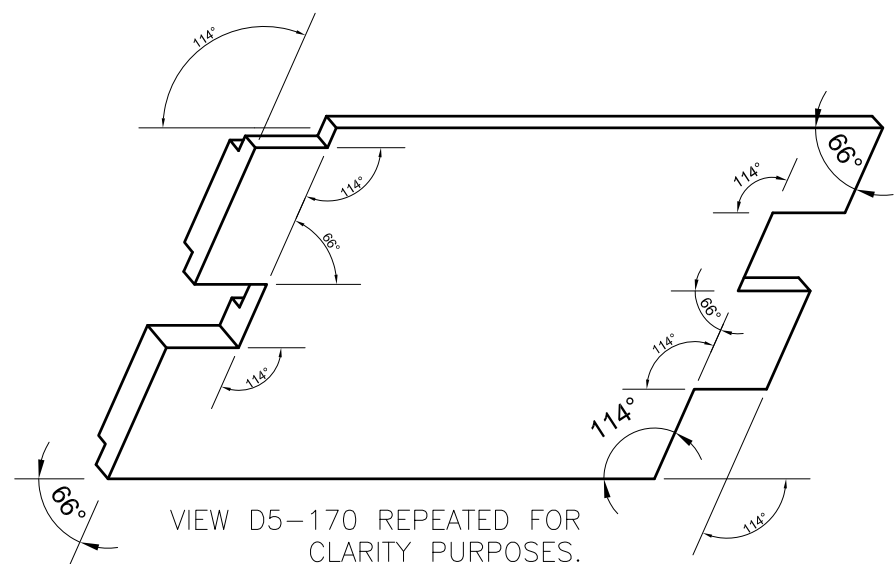
D3-170 D2-170



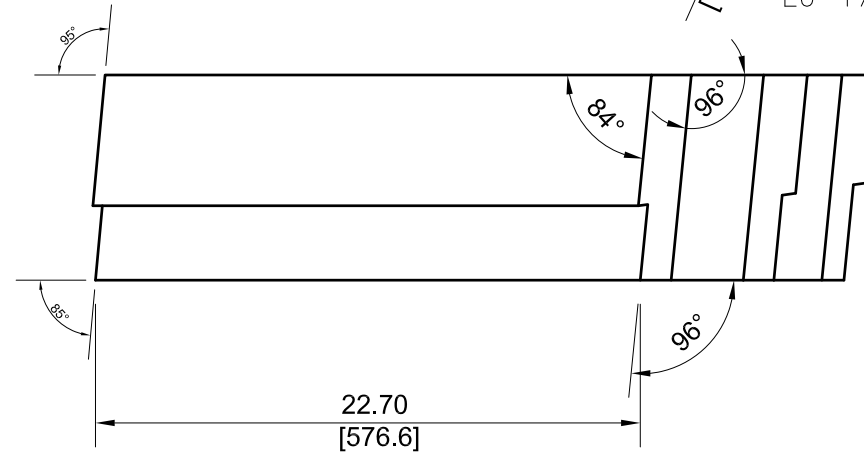
E6-170 F7-170



VIEW E6-170



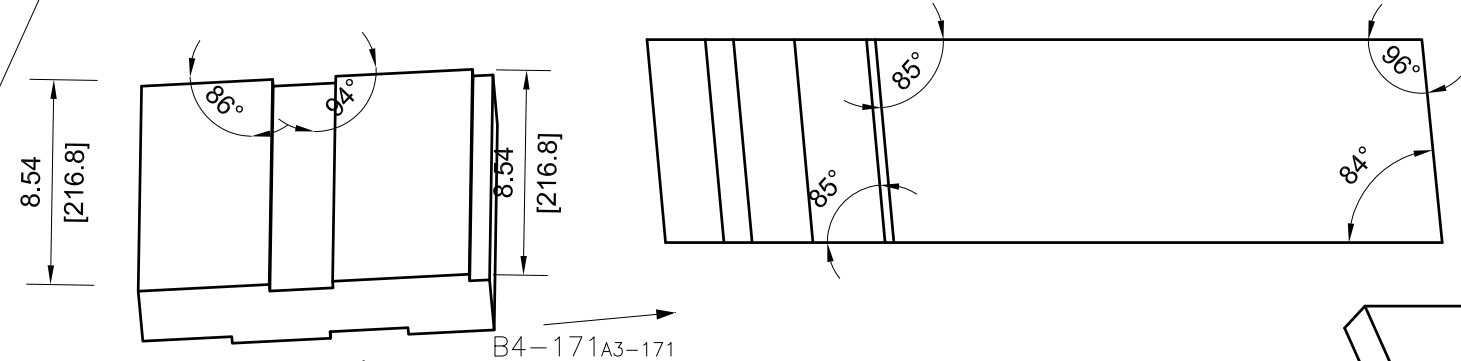
VIEW D5-170 REPEATED FOR CLARITY PURPOSES.



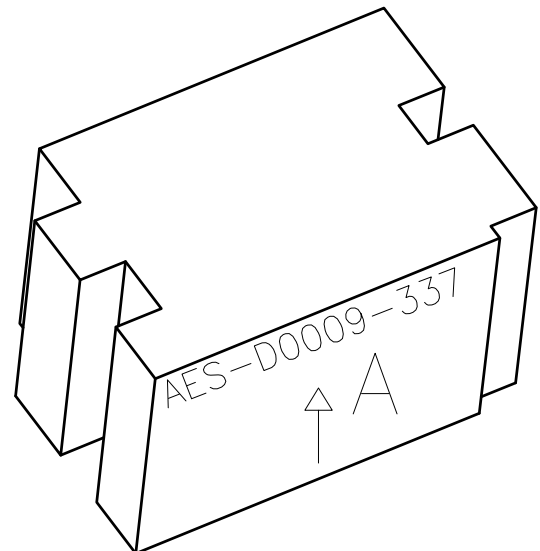
DRAWING NUMBER				
AES-D0009				
SIZE	SCALE	SHEET	OF	REVISION
A3	NONE	170	190	B

337

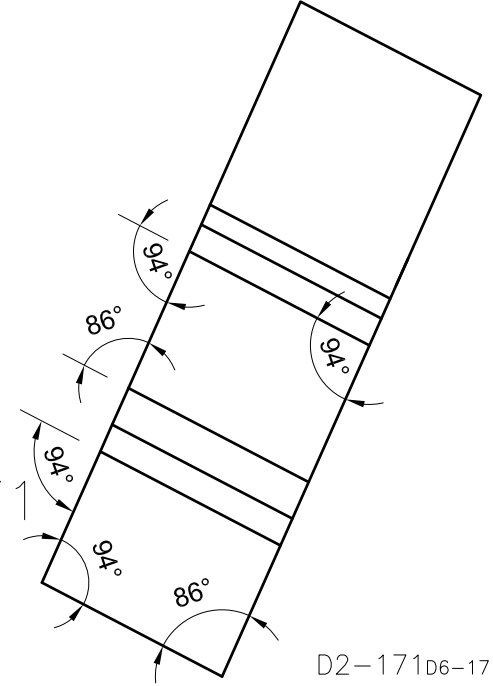
VIEW B4-171



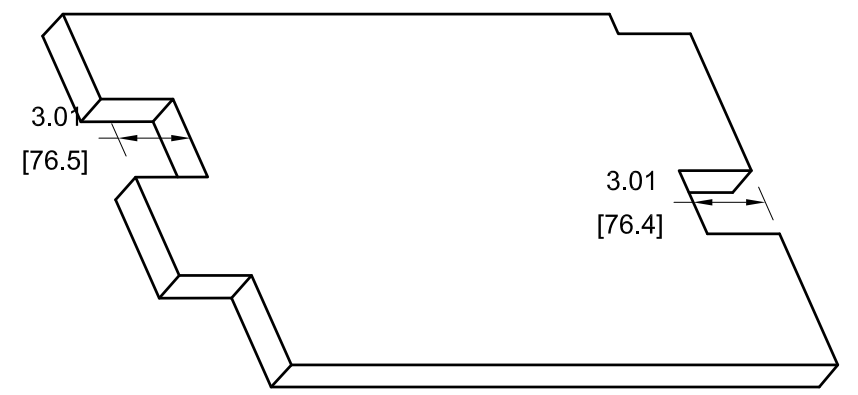
B4-171A3-171



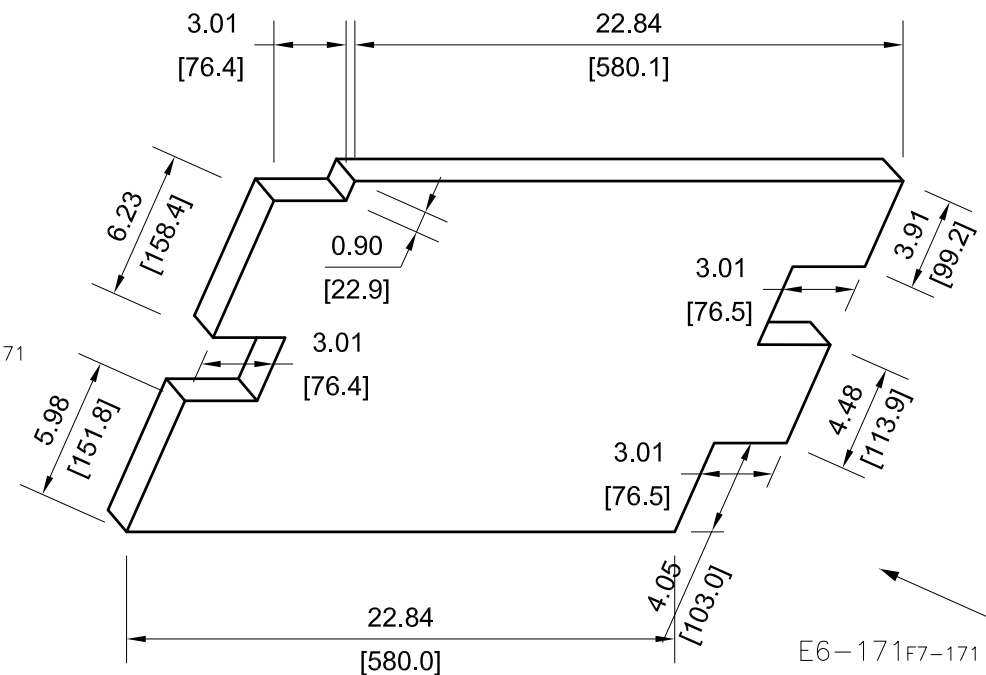
VIEW D4-171



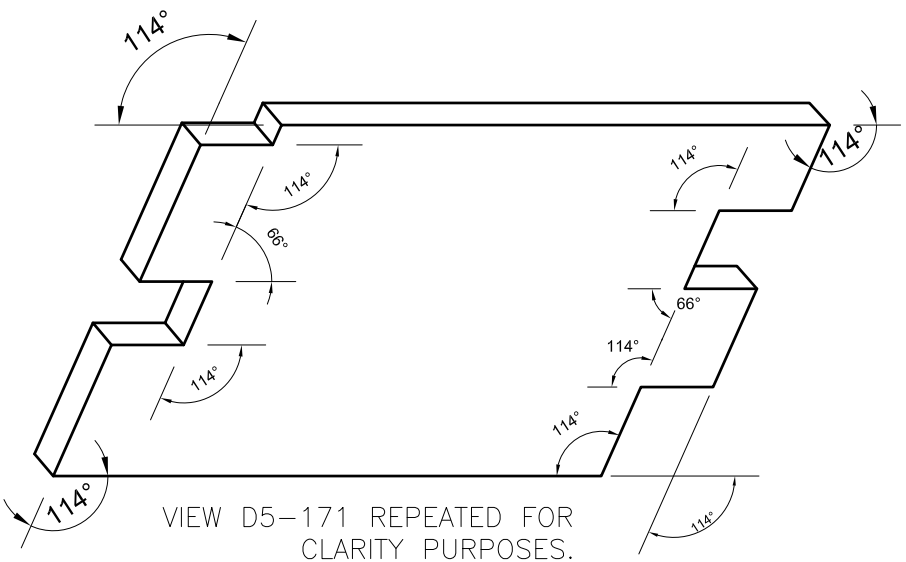
D2-171D6-171



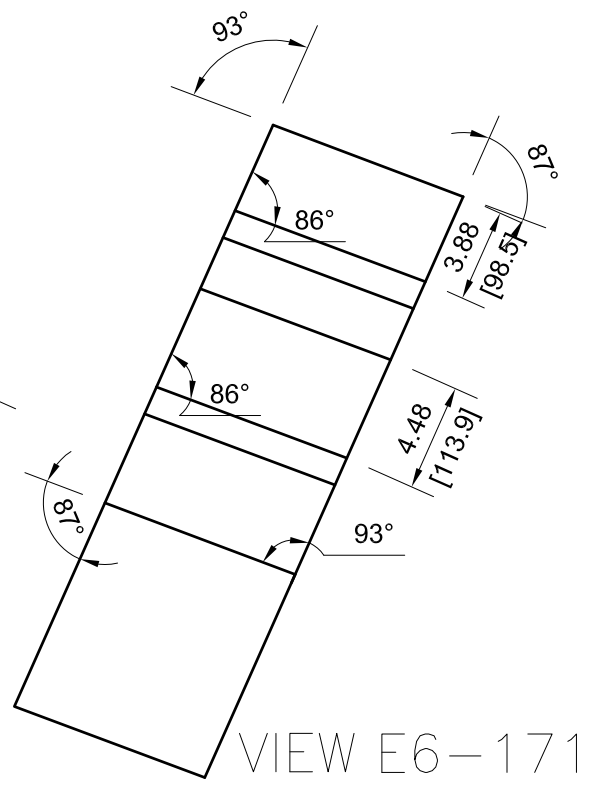
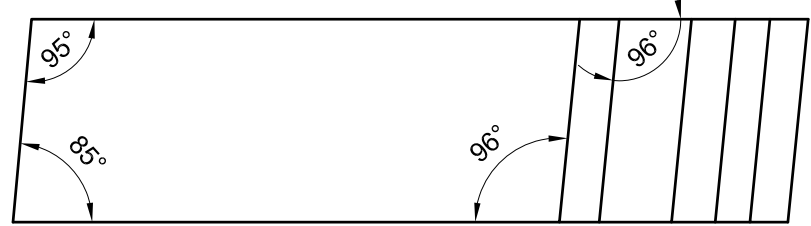
REAR VIEW RELATIVE TO VIEW D5-171



E6-171F7-171



VIEW D5-171 REPEATED FOR CLARITY PURPOSES.



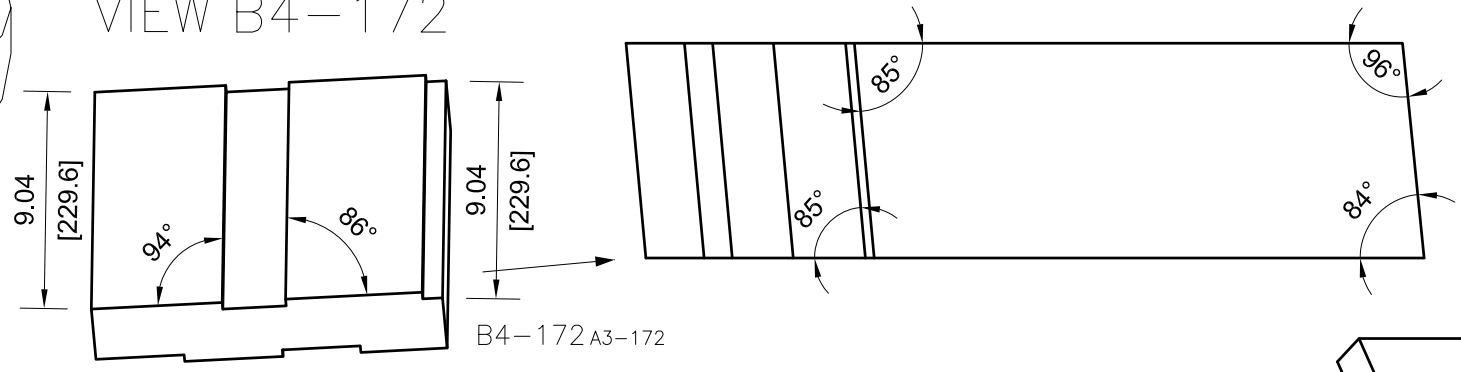
VIEW E6-171



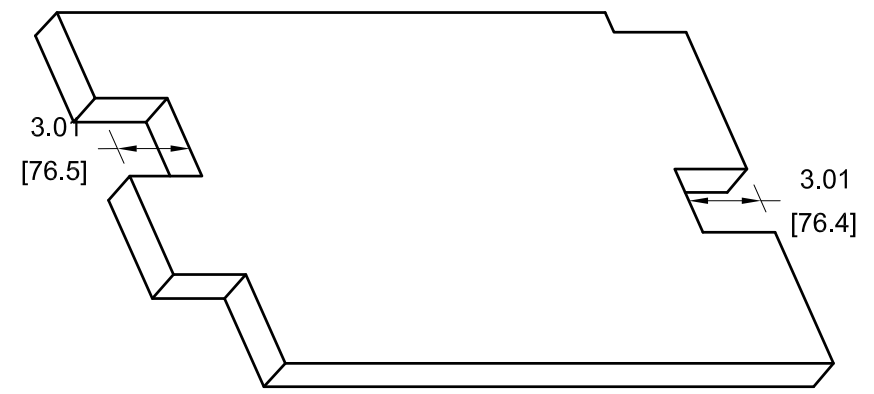
DRAWING NUMBER				
AES-D0009				
SIZE	SCALE	SHEET	OF	REVISION
A3	NONE	171	190	B

339

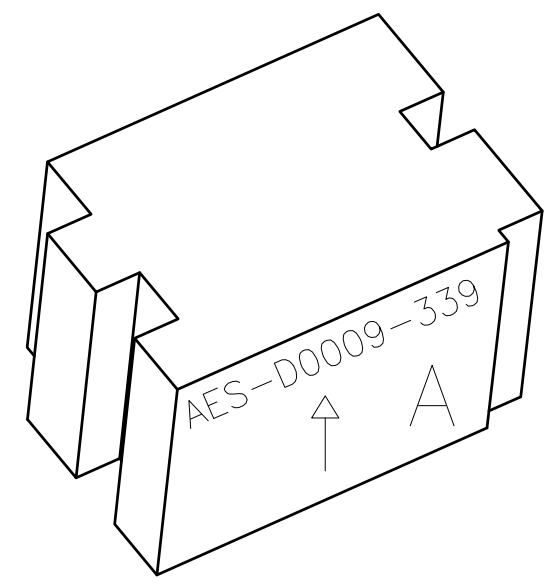
VIEW B4-172



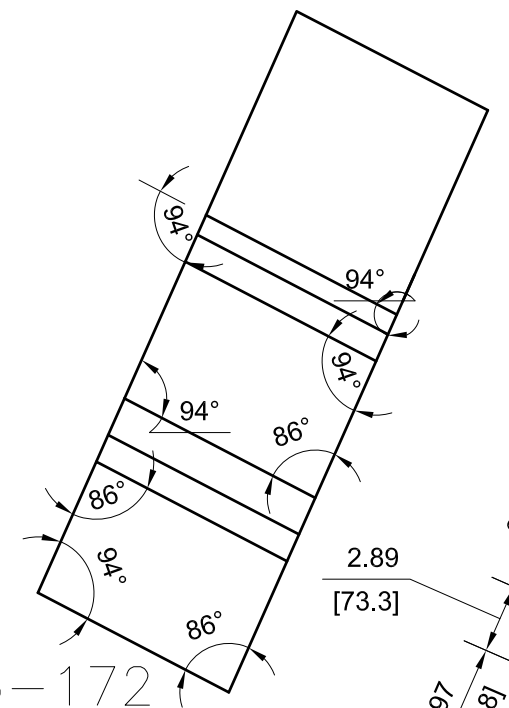
B4-172 A3-172



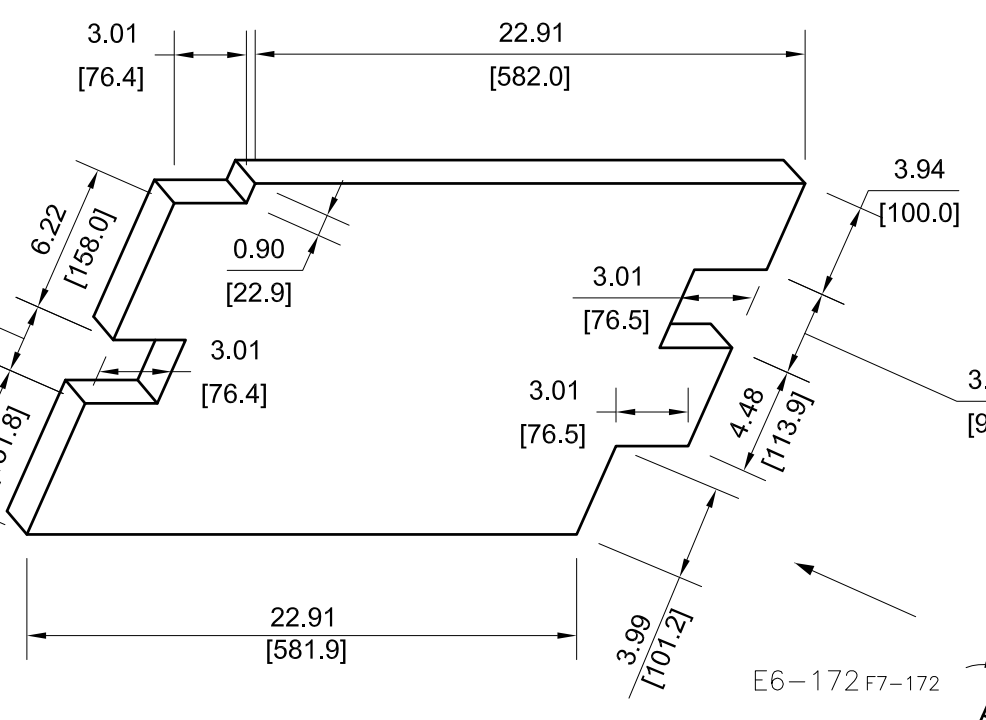
REAR VIEW RELATIVE TO VIEW D5-172



VIEW E3-172

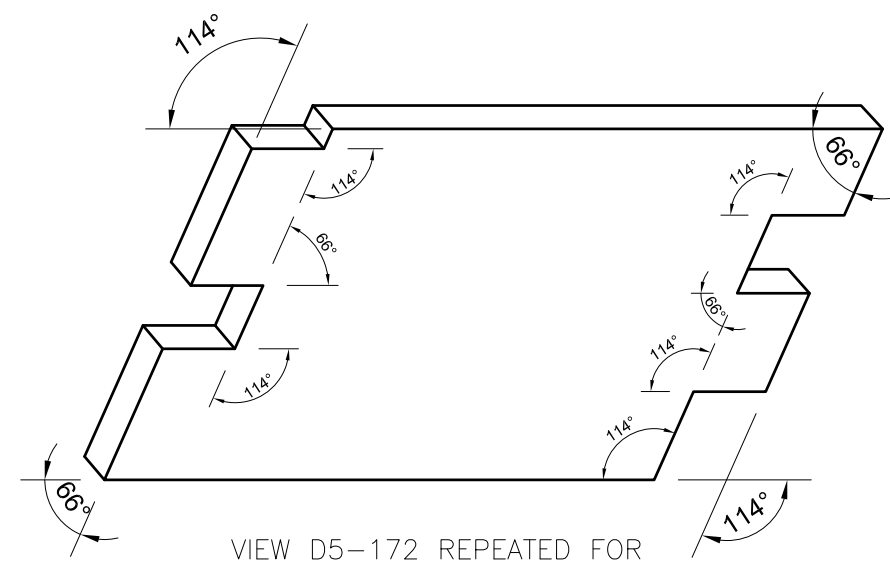
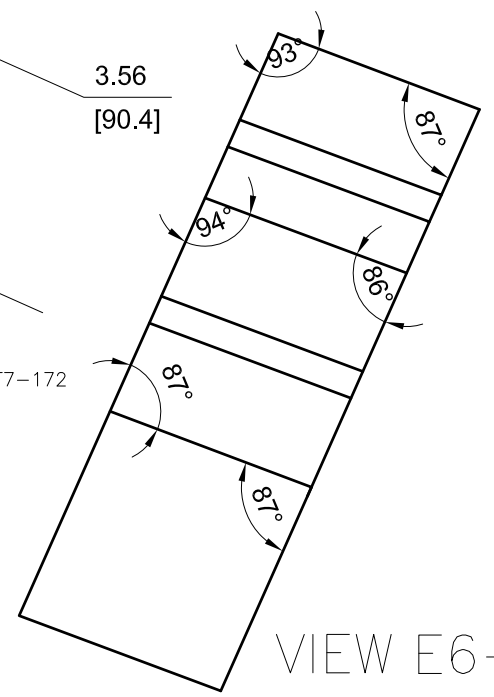


E3-172 D3-172

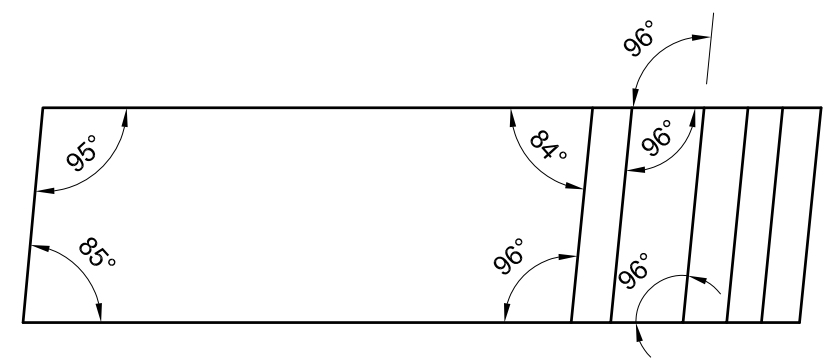


E6-172 F7-172

VIEW E6-172



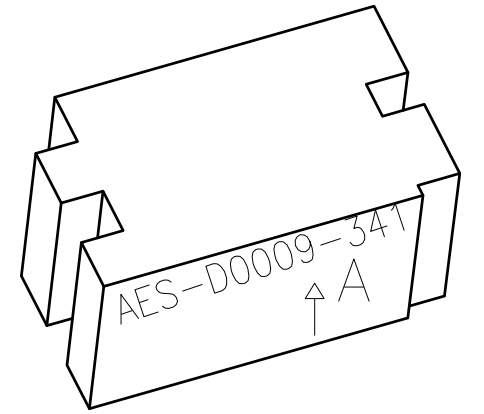
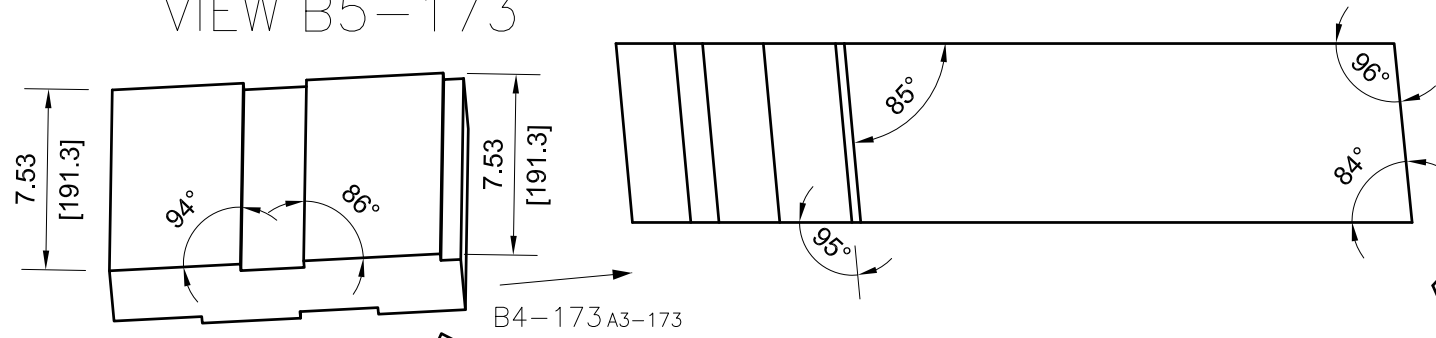
VIEW D5-172 REPEATED FOR CLARITY PURPOSES.



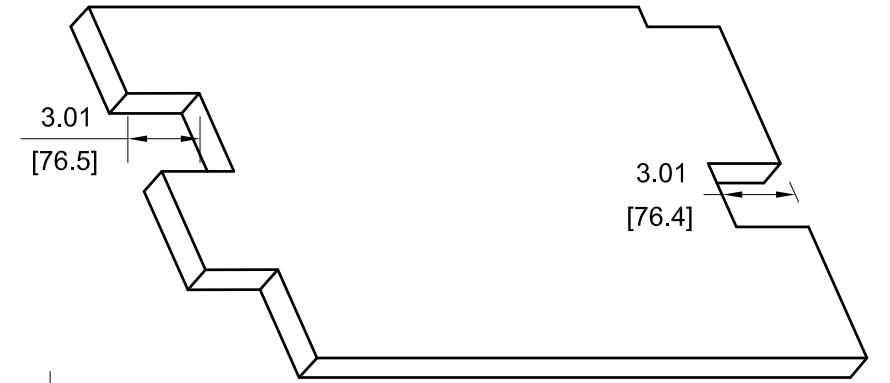
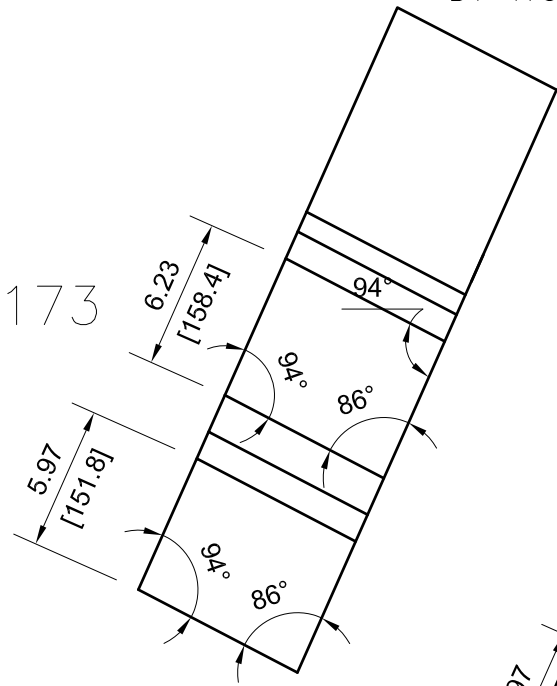
DRAWING NUMBER				
AES-D0009				
SIZE	SCALE	SHEET	OF	REVISION
A3	NONE	172	190	B

341

VIEW B5-173

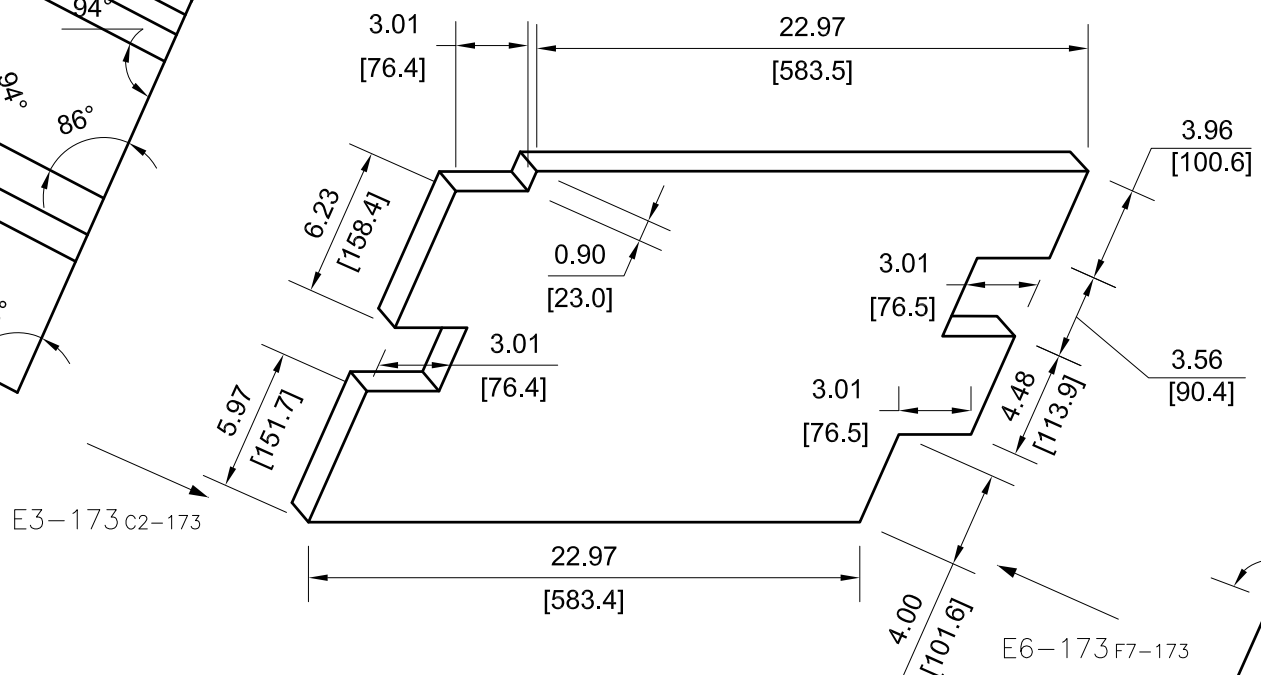


VIEW E3-173

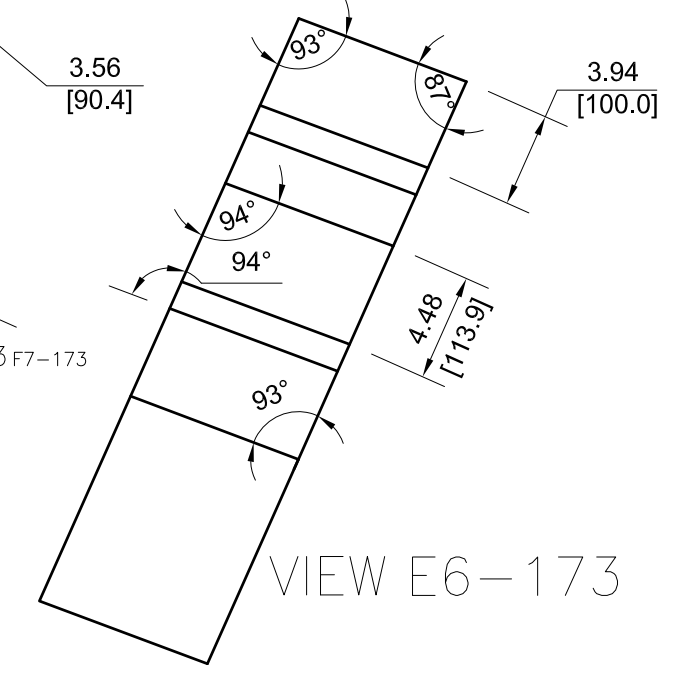


REAR VIEW RELATIVE TO VIEW D5-173

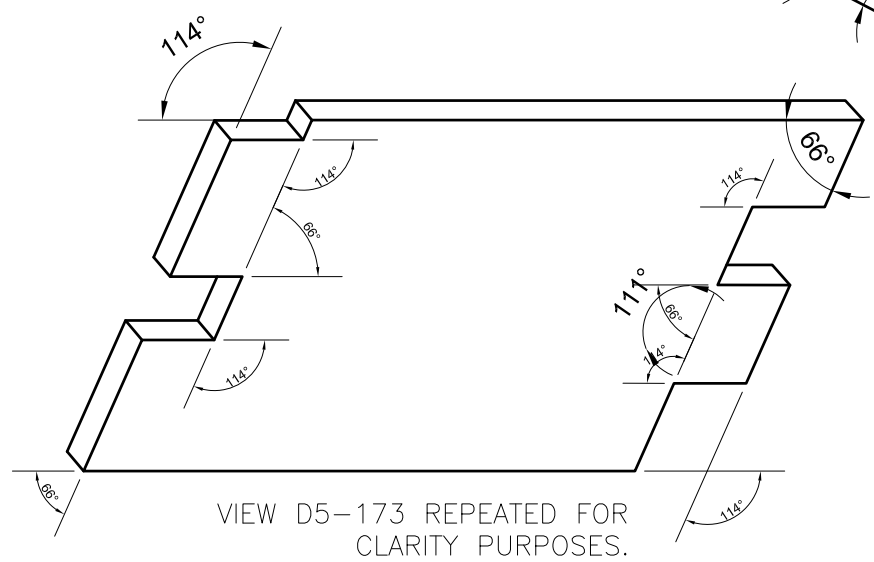
E3-173C2-173



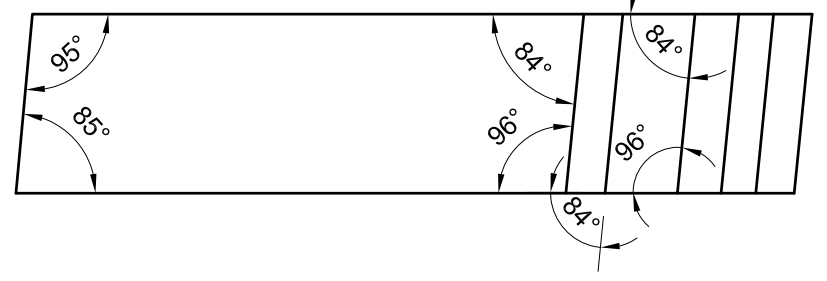
E6-173F7-173



VIEW E6-173



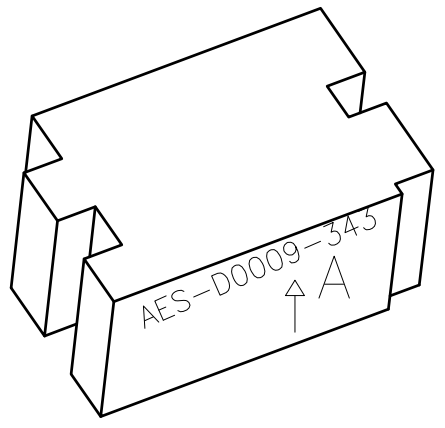
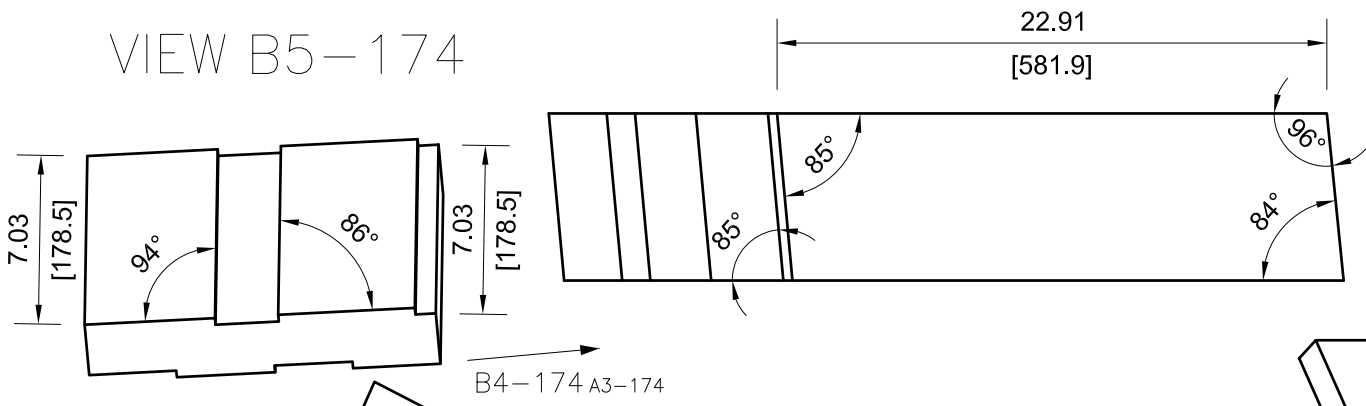
VIEW D5-173 REPEATED FOR CLARITY PURPOSES.



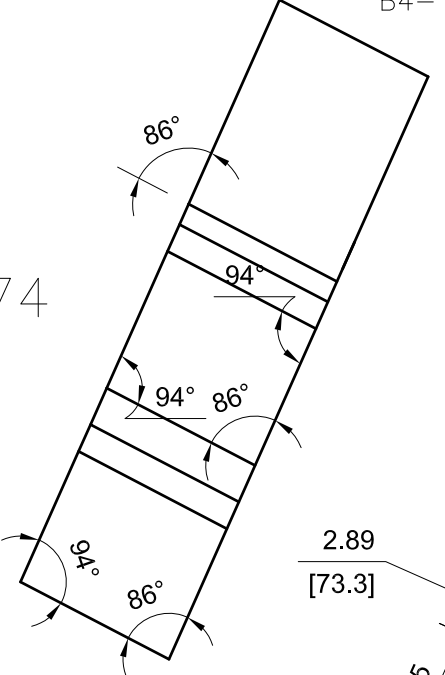
		DRAWING NUMBER			
		AES-D0009			
SIZE	SCALE	SHEET	OF	REVISION	
A3	NONE	173	190	B	

343

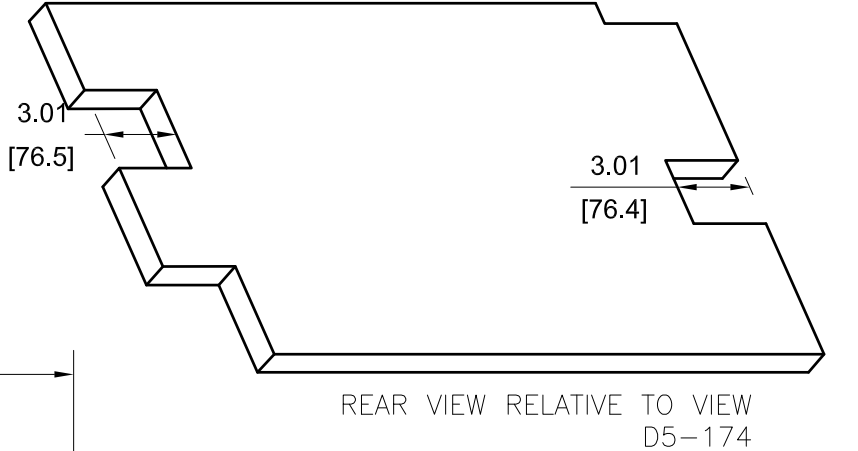
VIEW B5-174



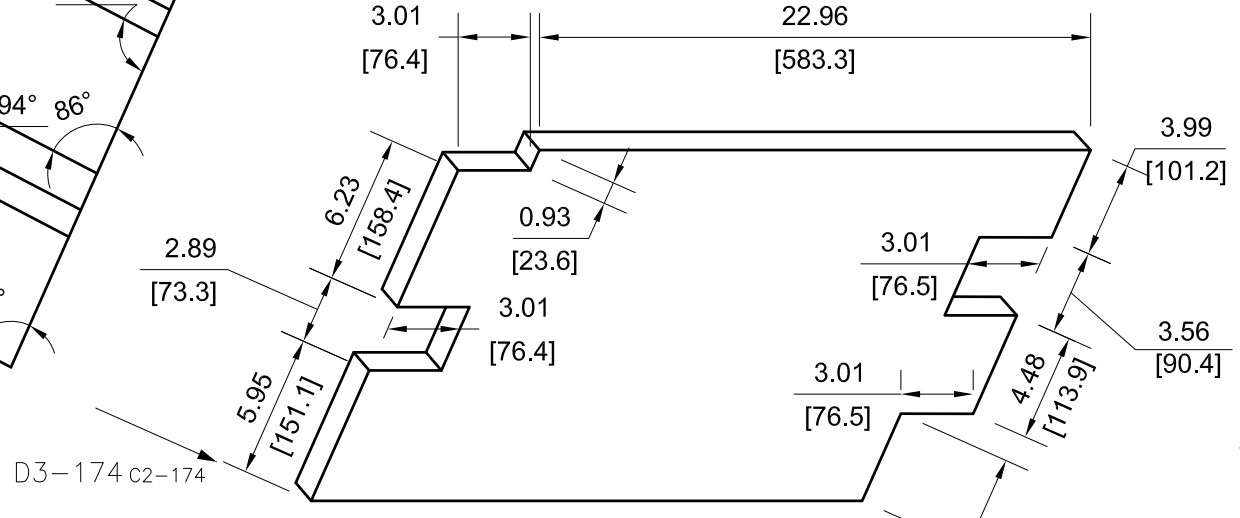
VIEW D3-174



B4-174 A3-174



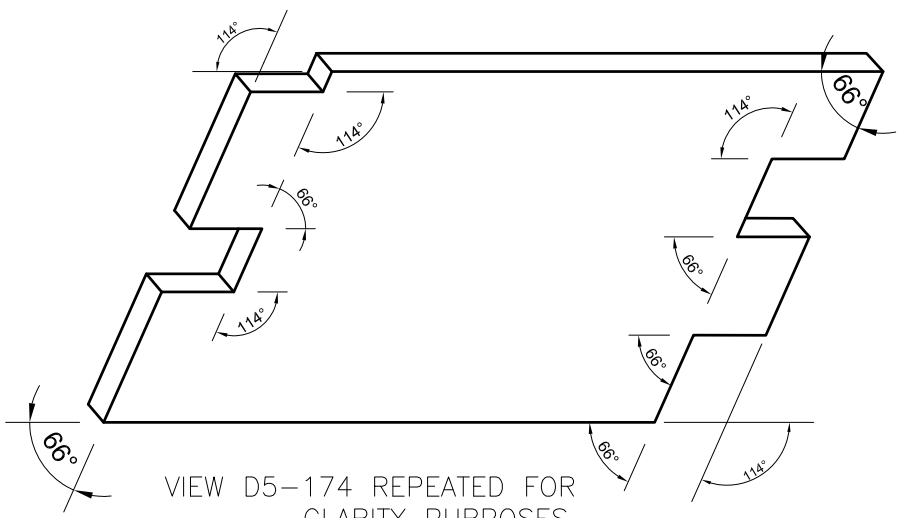
REAR VIEW RELATIVE TO VIEW D5-174



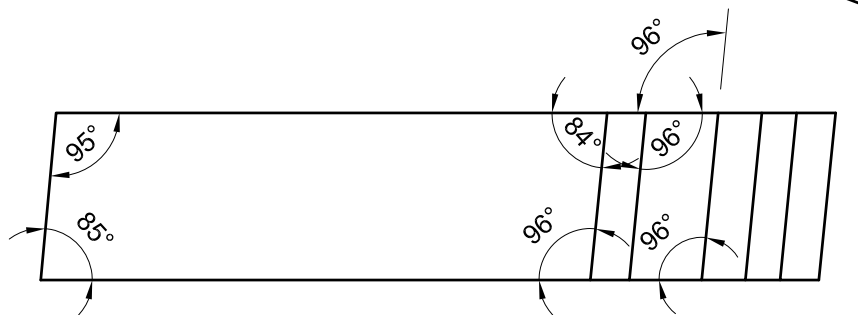
D3-174 C2-174

E6-174 E7-174

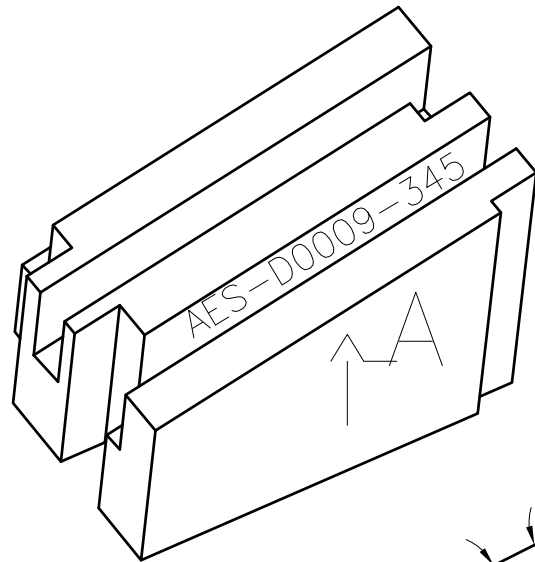
VIEW E6-174



VIEW D5-174 REPEATED FOR CLARITY PURPOSES.

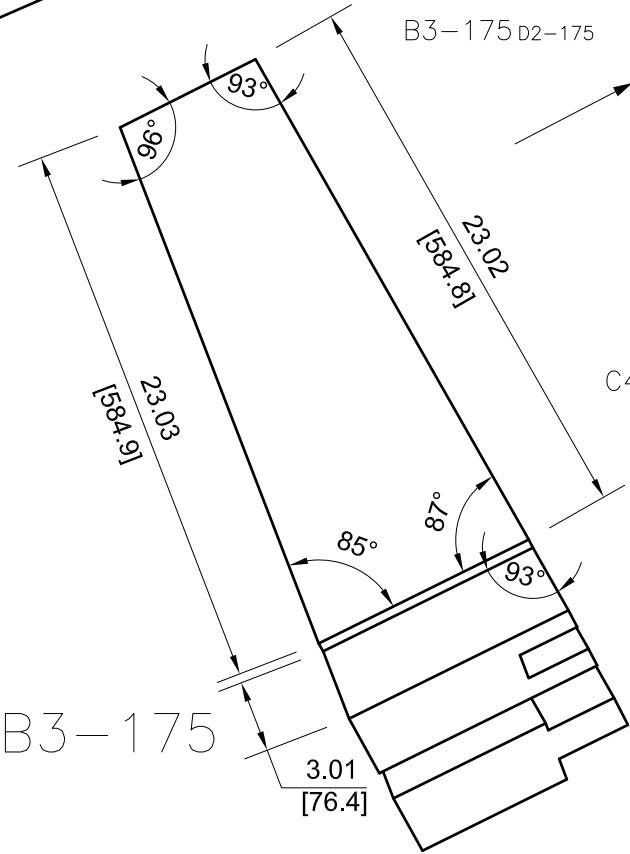


DRAWING NUMBER				
AES-D0009				
SIZE	SCALE	SHEET	OF	REVISION
A3	NONE	174	190	B

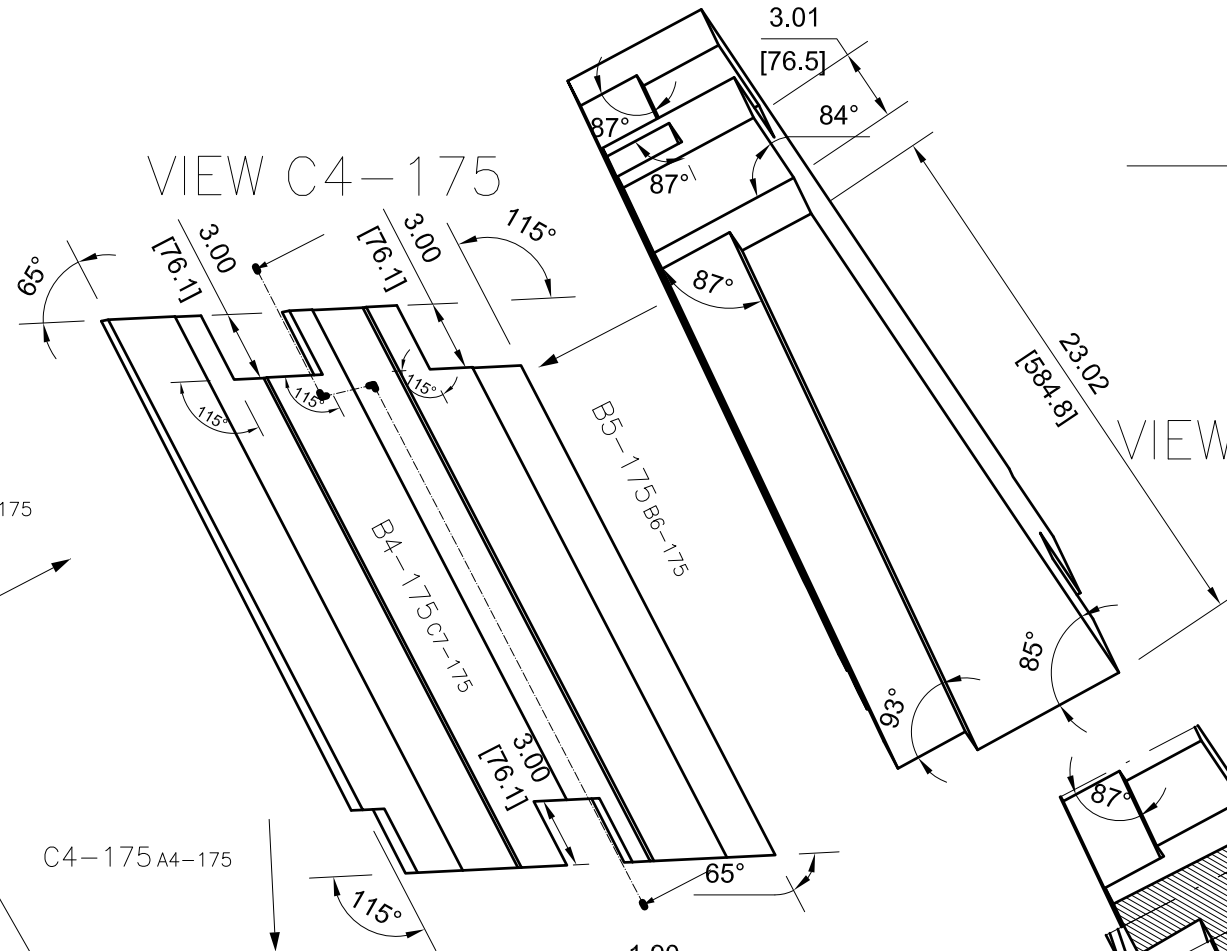


345

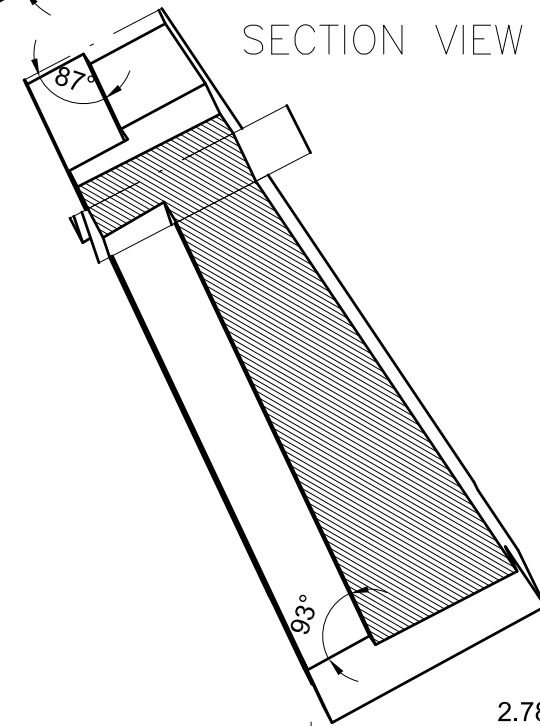
VIEW B3-175



VIEW C4-175

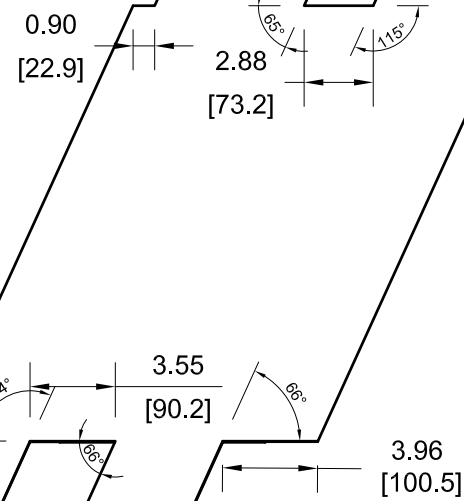


VIEW B5-175

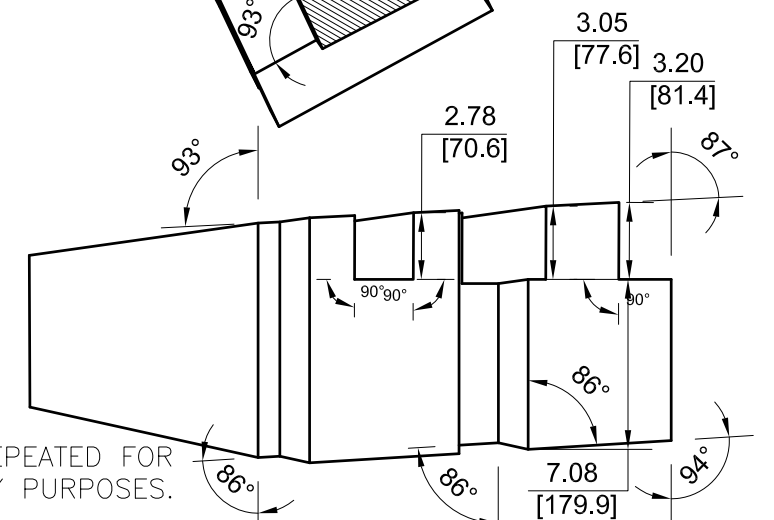


SECTION VIEW B4-175

C4-175A4-175

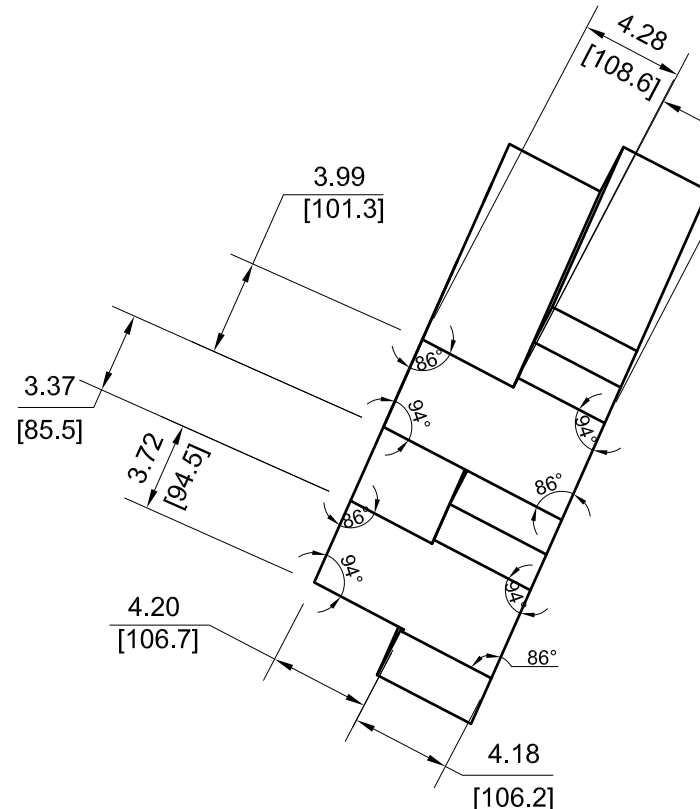
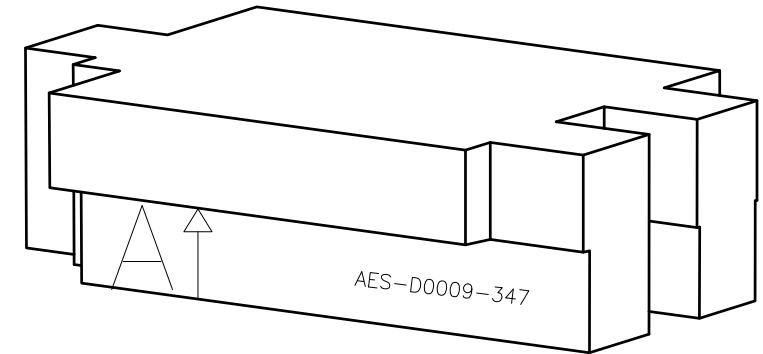
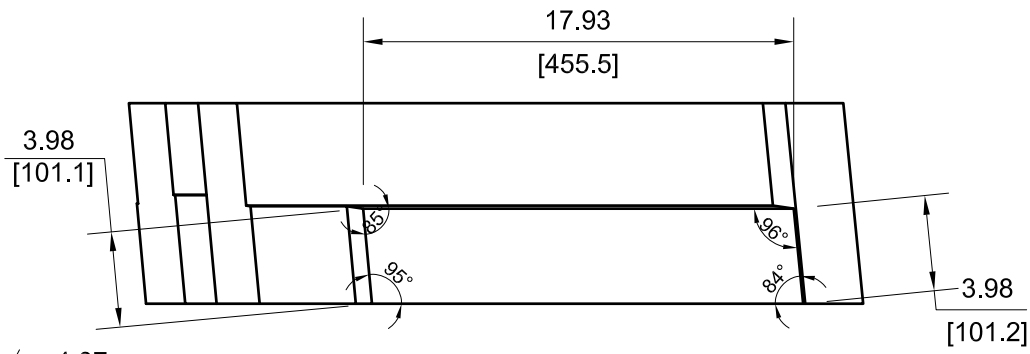


VIEW D5-175 REPEATED FOR CLARITY PURPOSES.

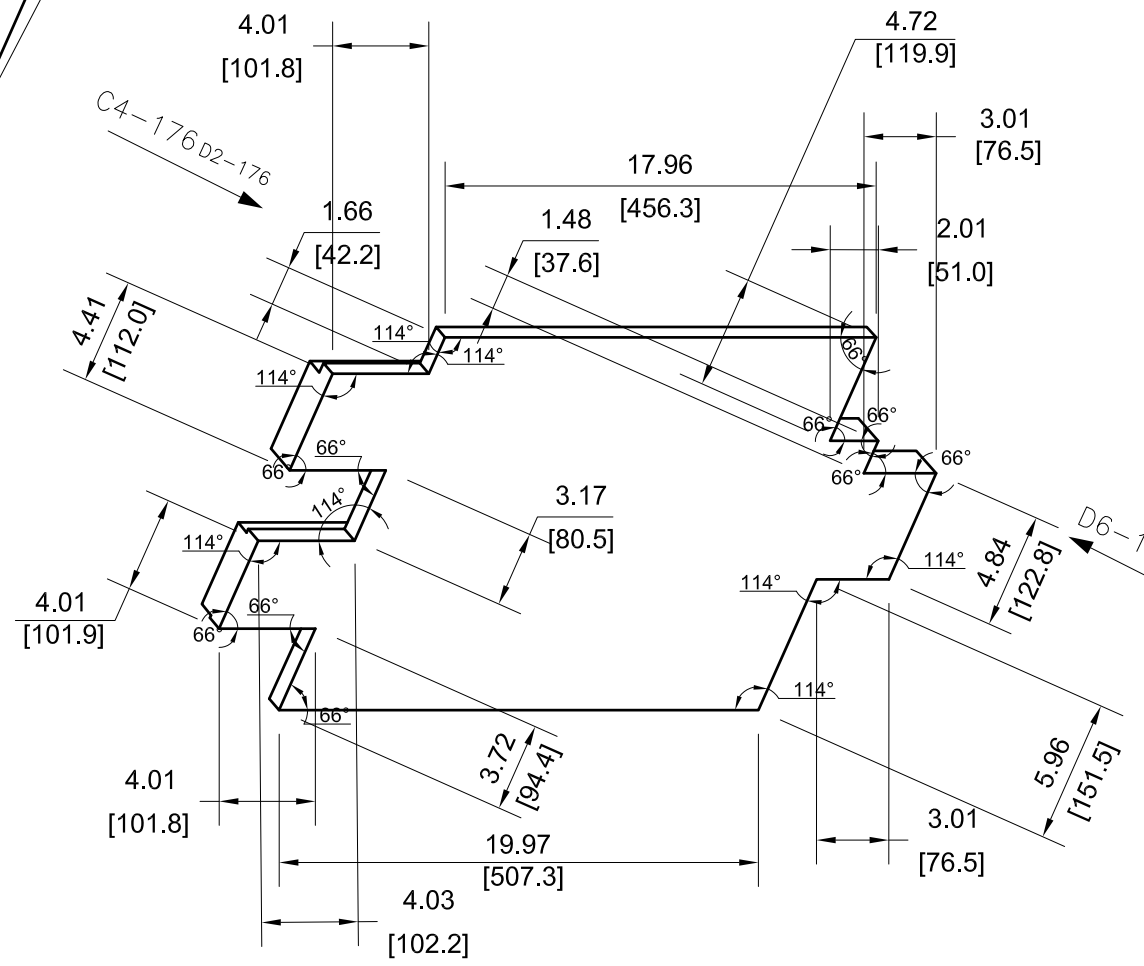


DRAWING NUMBER					AES-D0009	
SIZE	SCALE	SHEET	OF	REVISION		
A3	NONE	175	190	B		

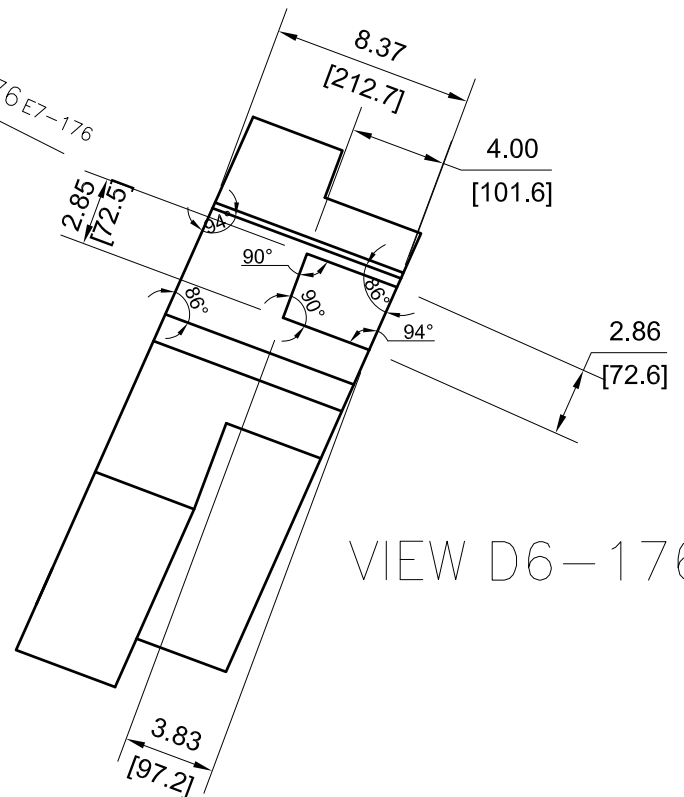
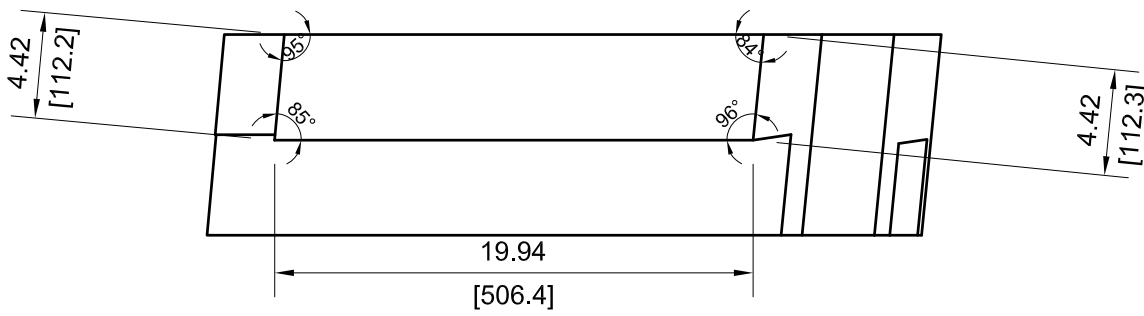
347



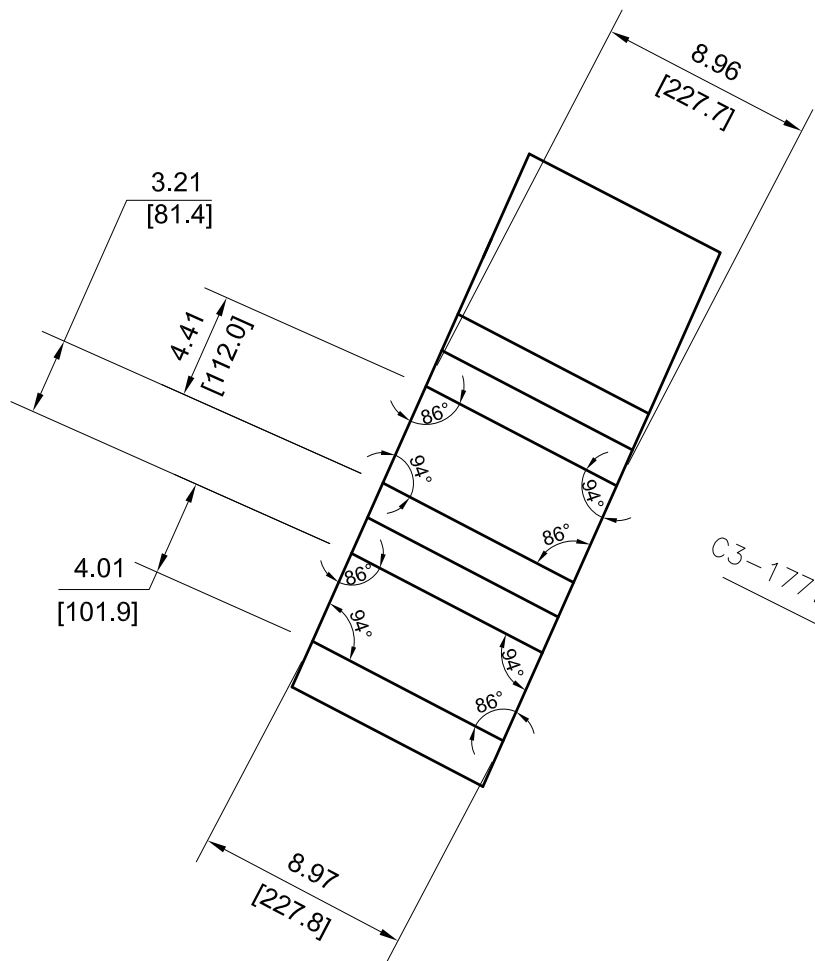
VIEW C4-176



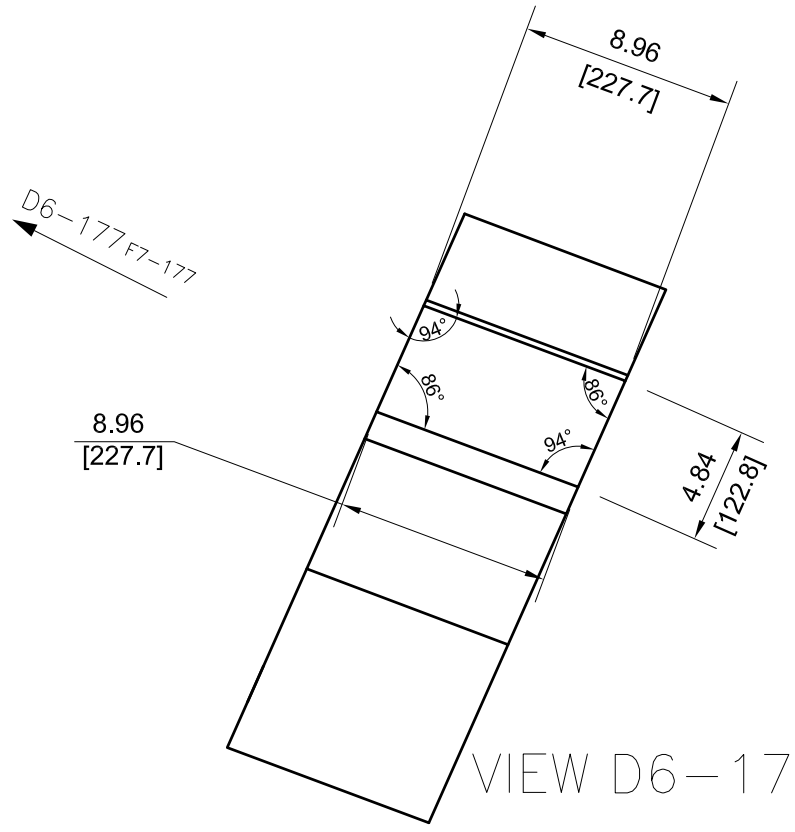
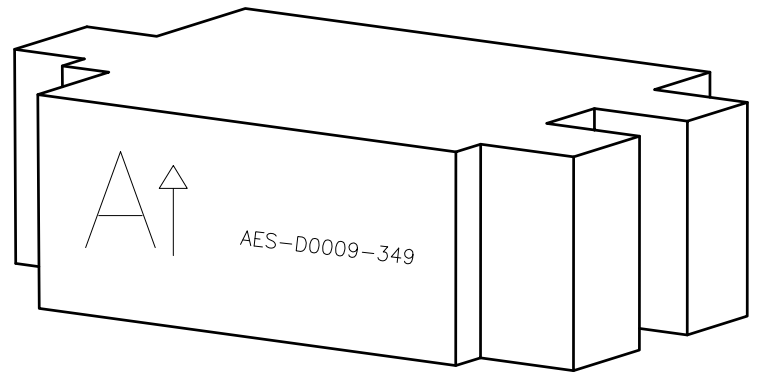
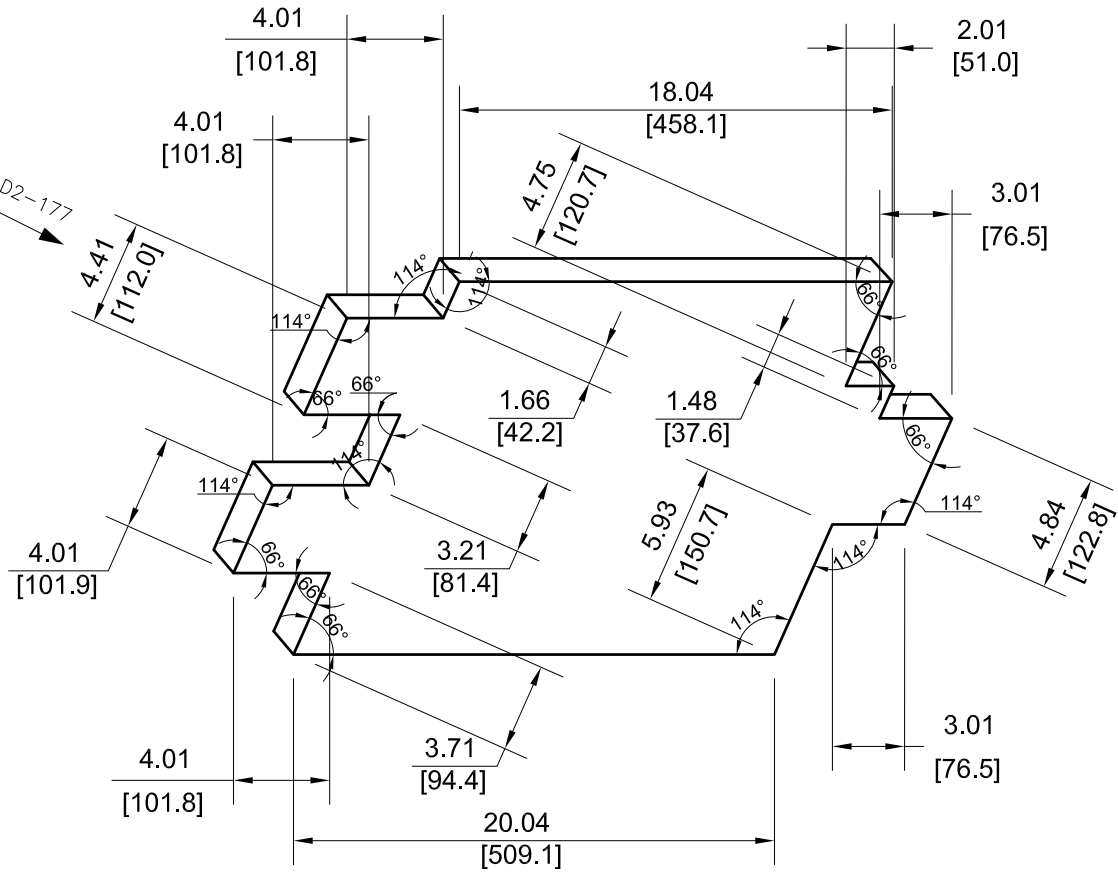
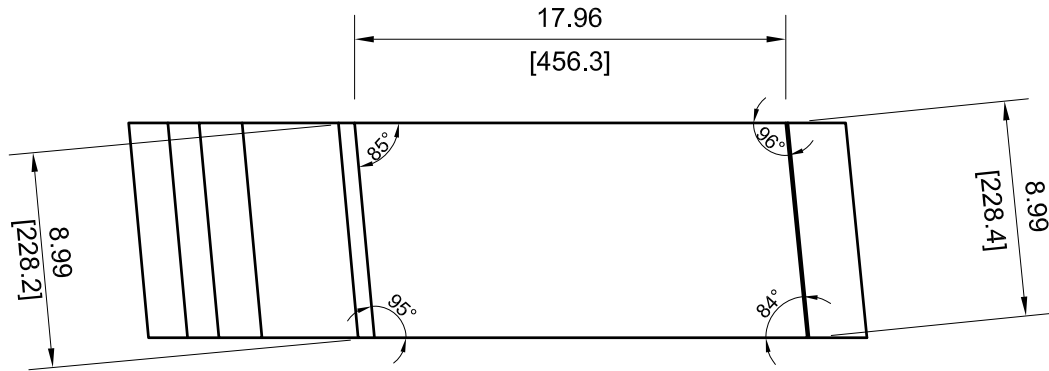
VIEW D6-176



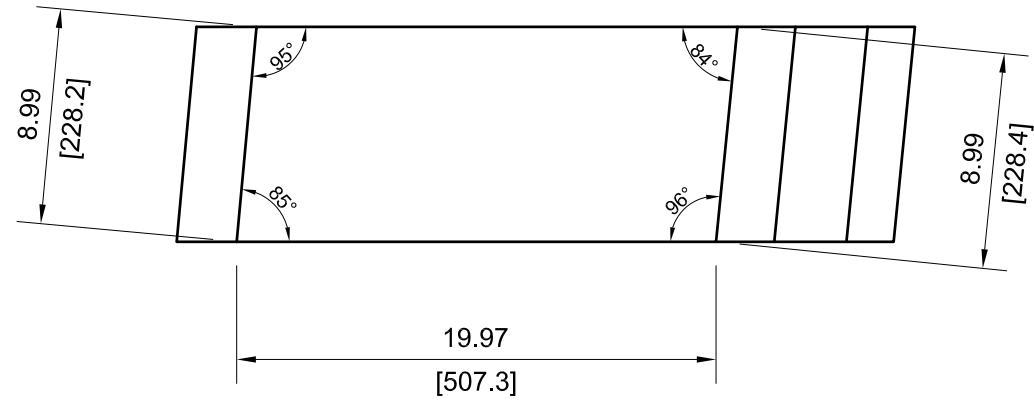
DRAWING NUMBER				
AES-D0009				
SIZE	SCALE	SHEET	OF	REVISION
A3	NONE	176	190	B




VIEW C3-177

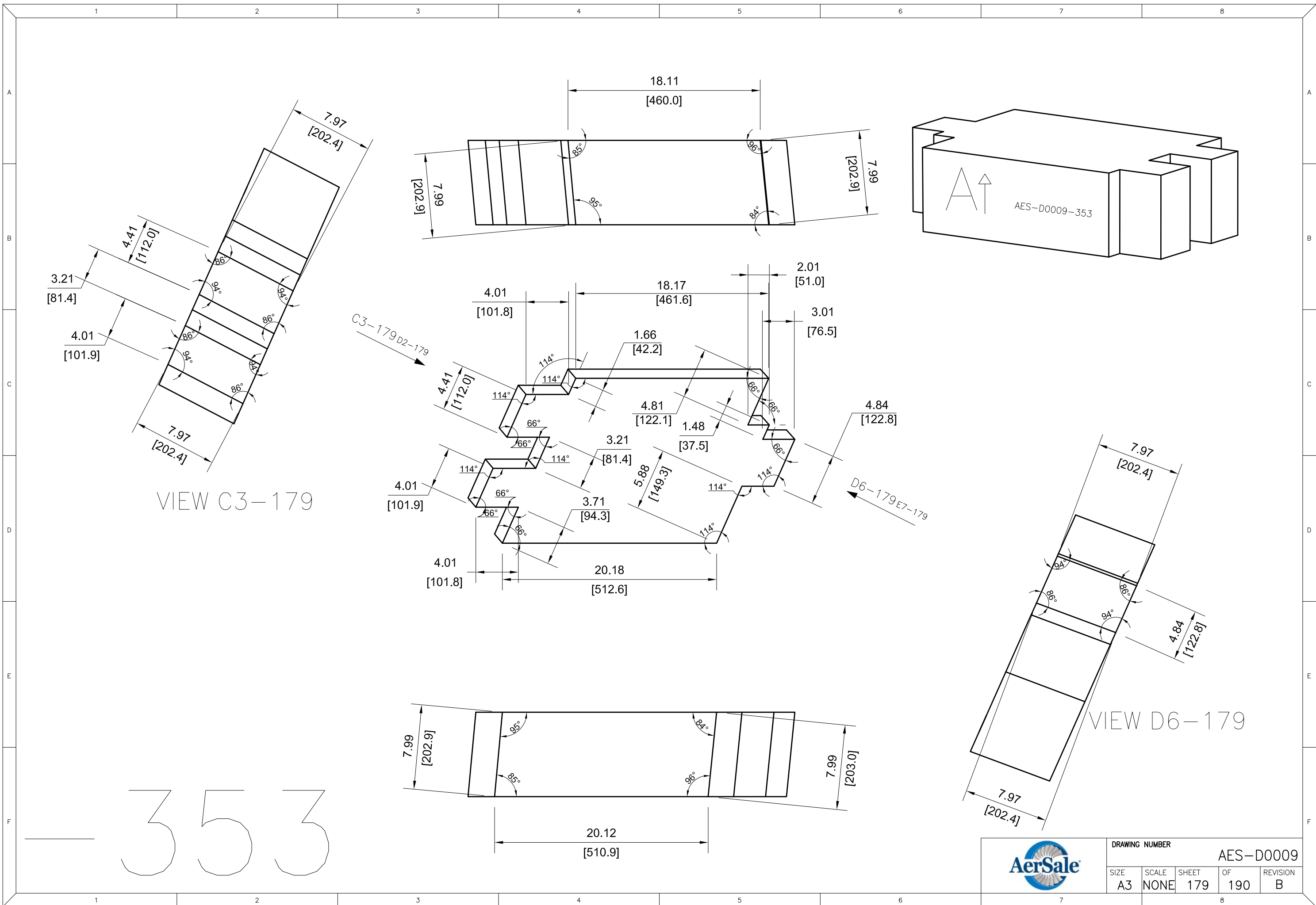


VIEW D6-177




— 349

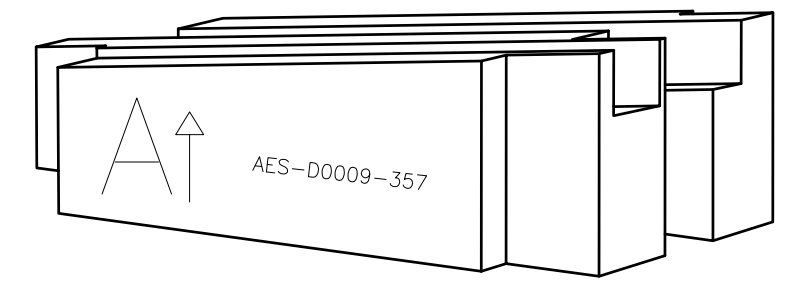
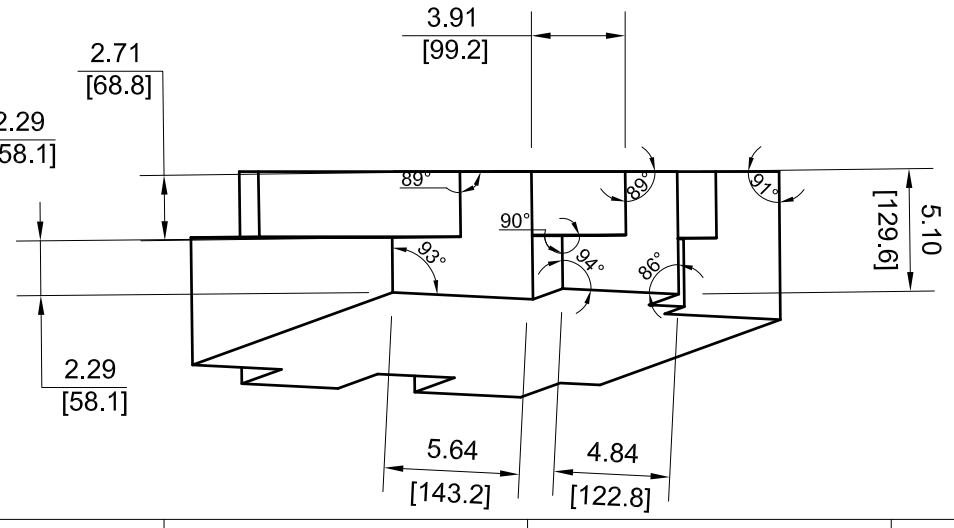
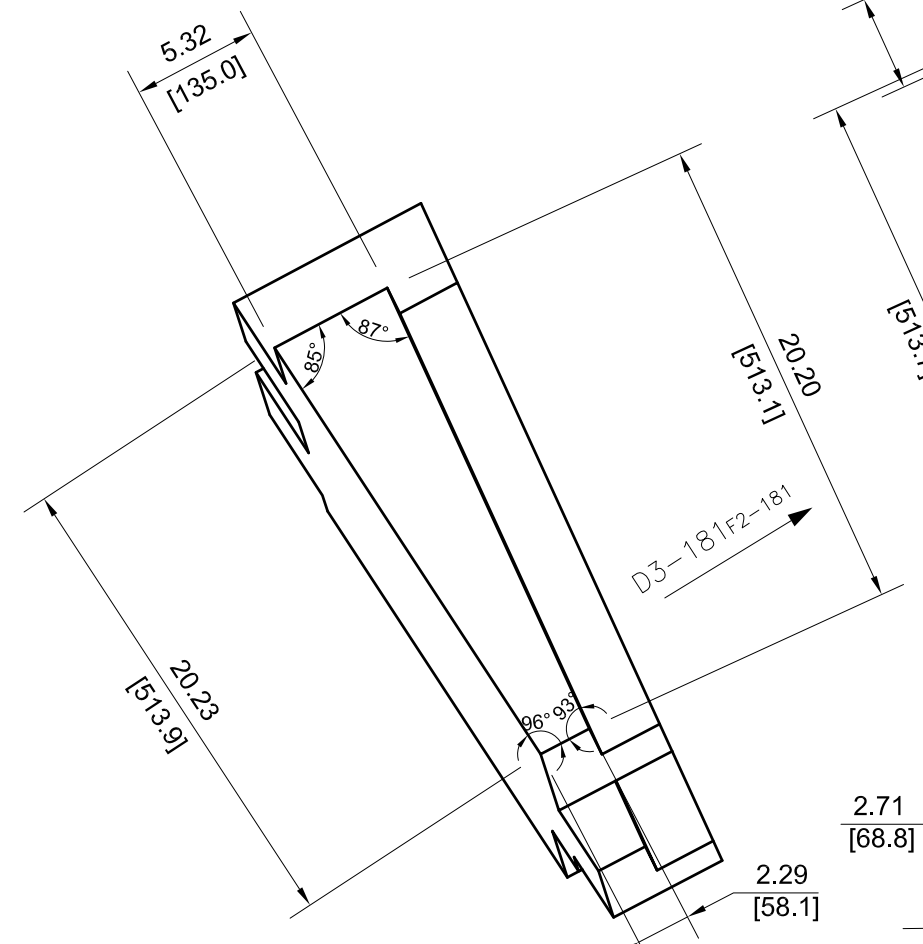
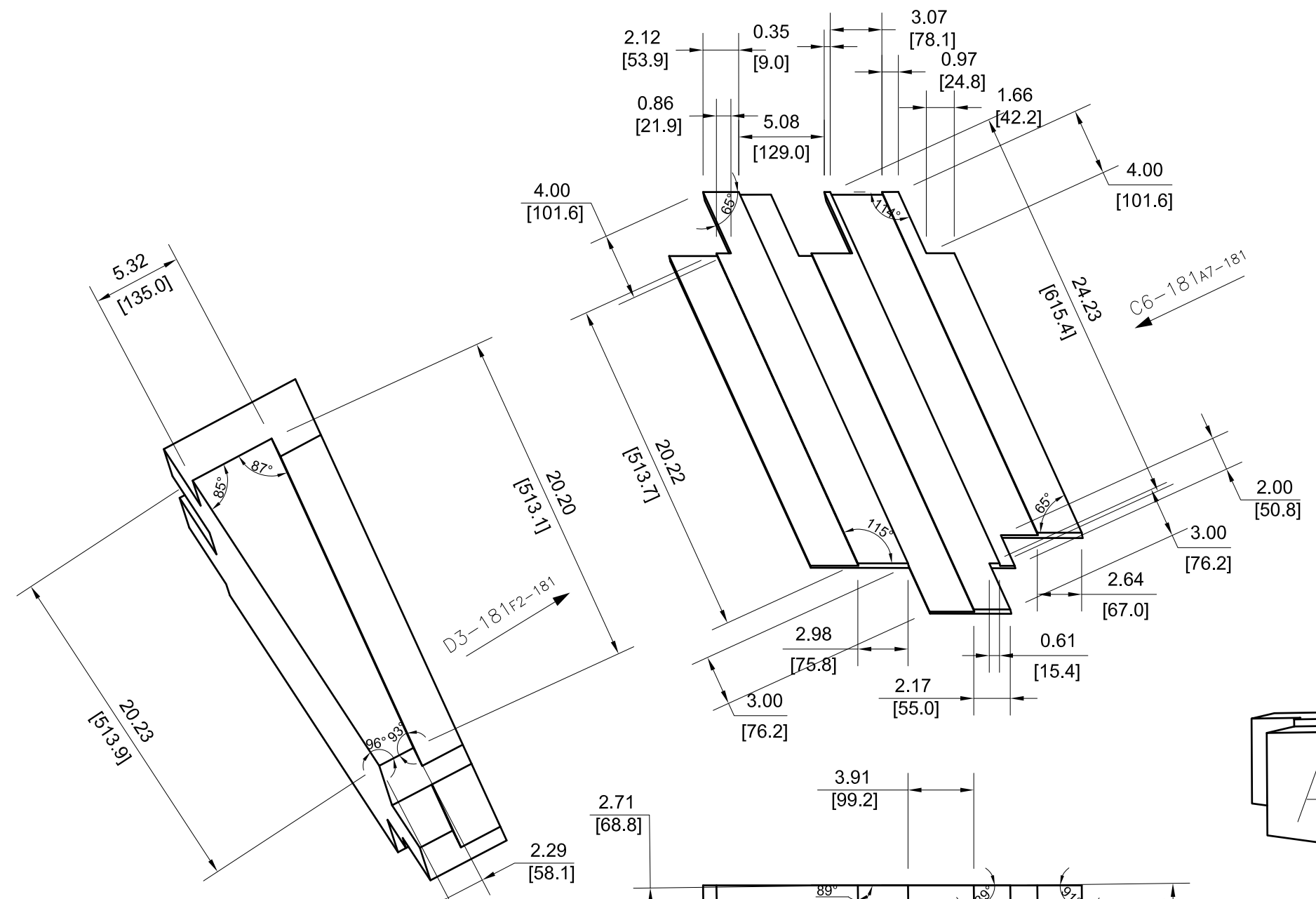
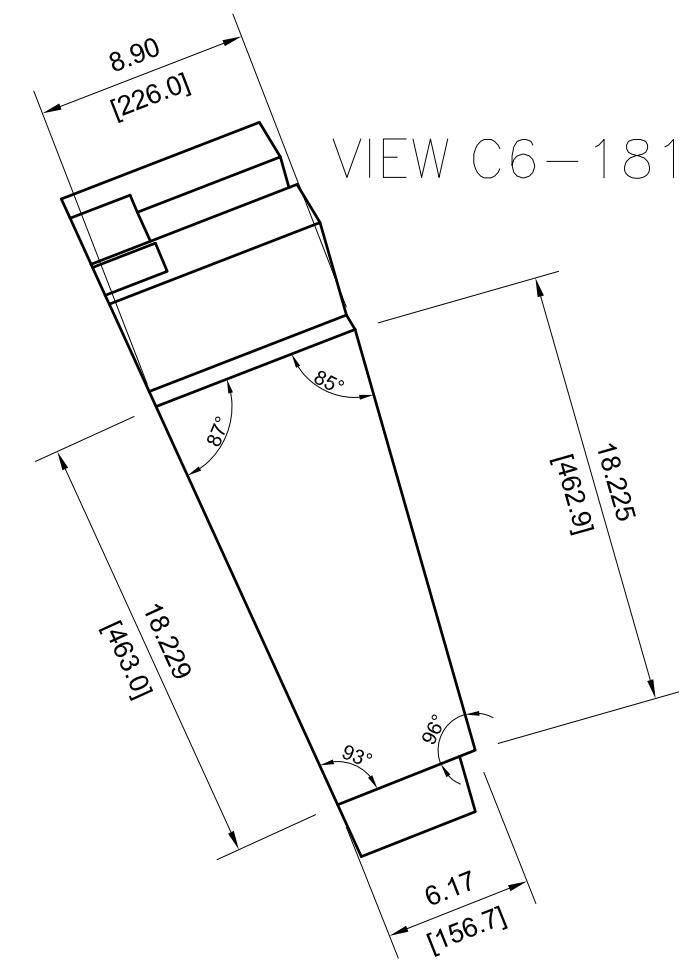
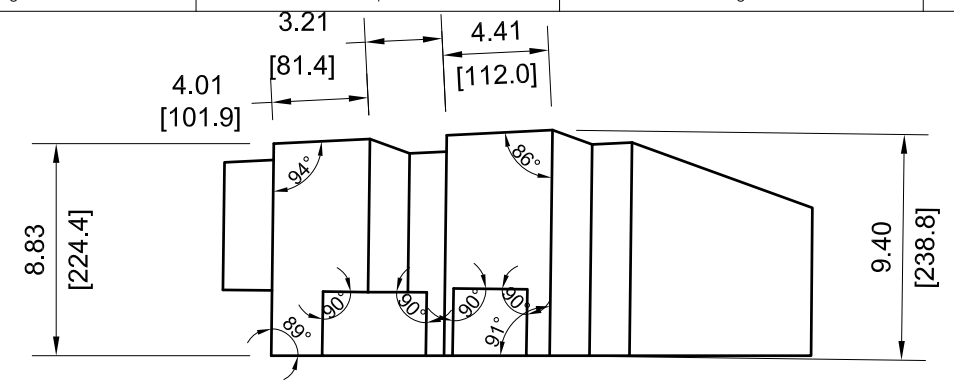
		DRAWING NUMBER			
		AES-D0009			
SIZE	SCALE	SHEET	OF	REVISION	
A3	NONE	177	190	B	



353

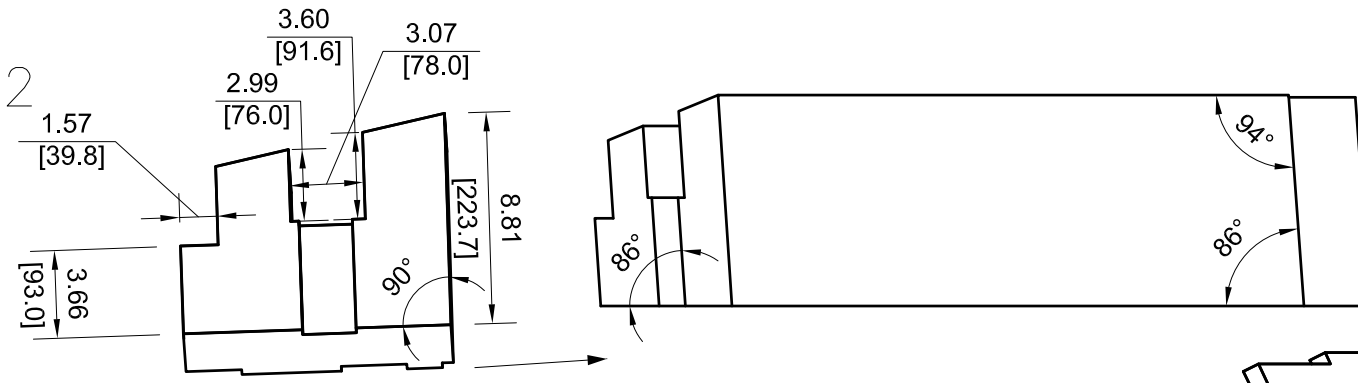
		DRAWING NUMBER			
		AES-D0009			
SIZE	SCALE	SHEET	OF	REVISION	
A3	NONE	179	190	B	

357

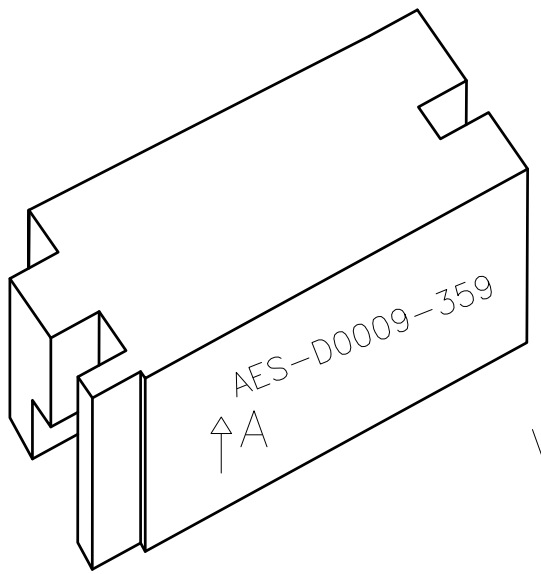


		DRAWING NUMBER			
		AES-D0009			
SIZE	SCALE	SHEET	OF	REVISION	
A3	NONE	181	190	B	

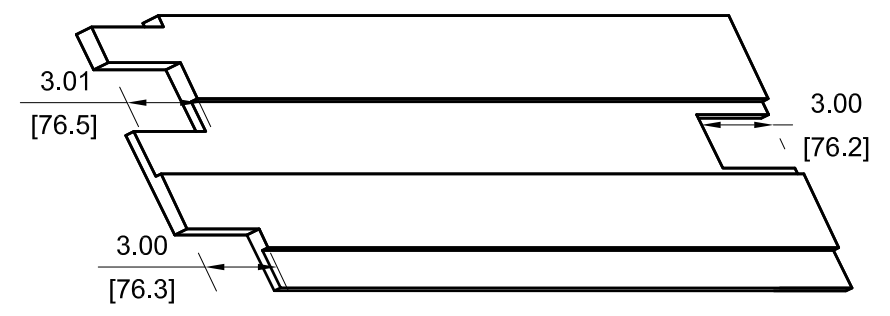
VIEW B4-182



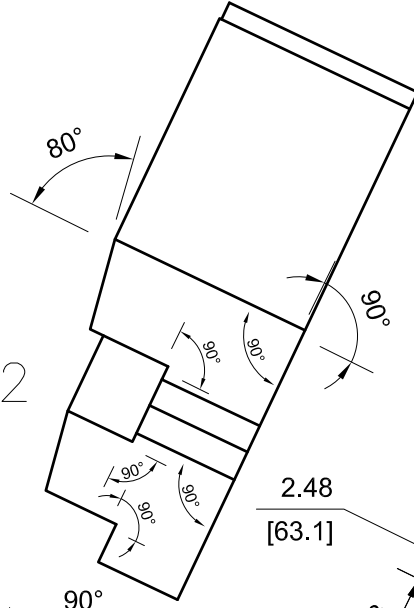
359



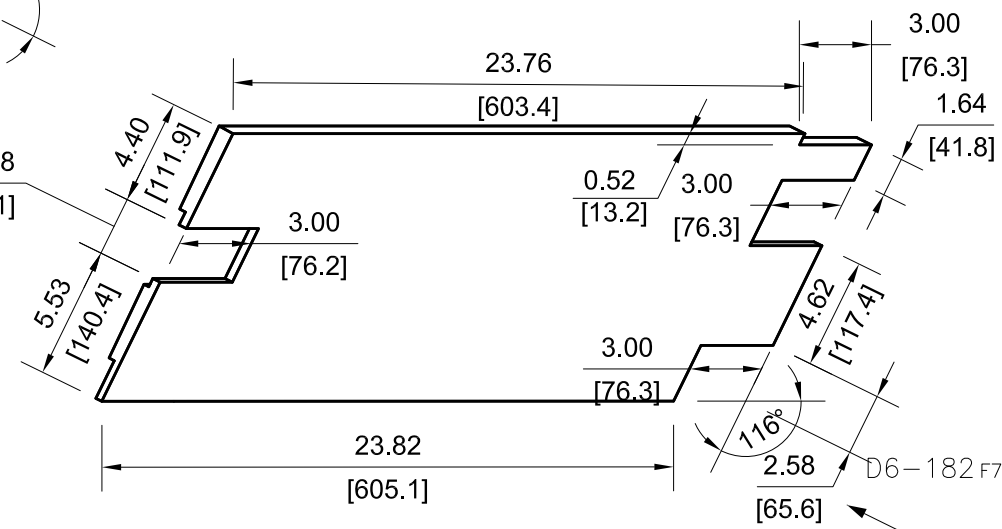
B4-182 A2-182



VIEW D4-182

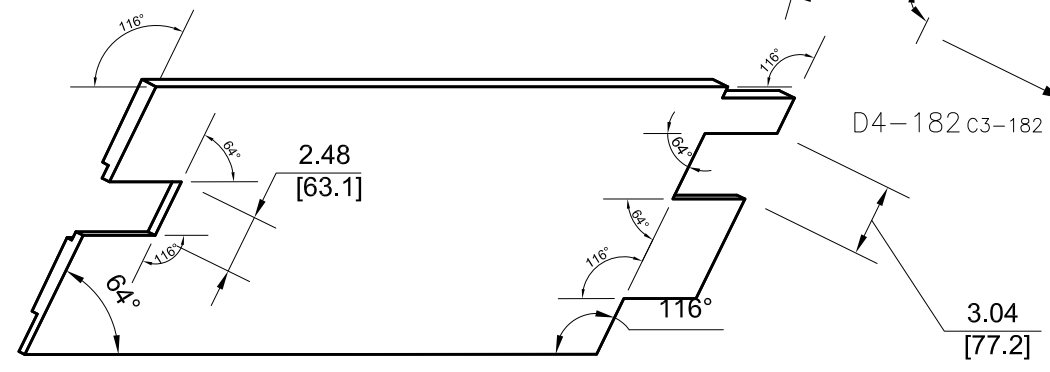


REAR VIEW RELATIVE TO VIEW D5-182

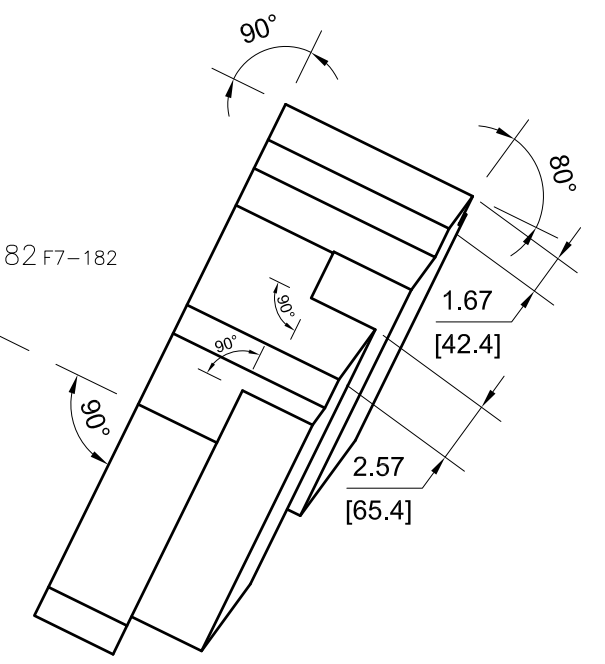
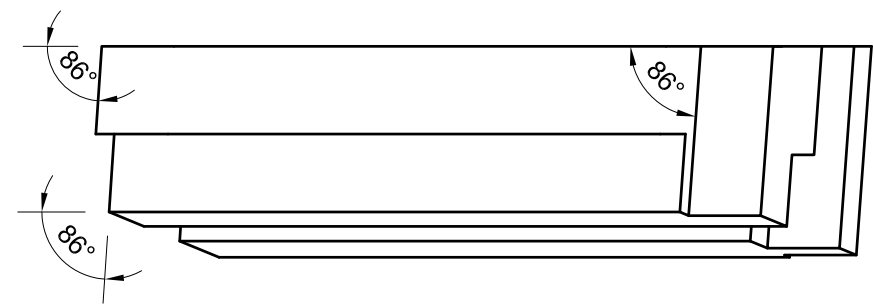


D4-182 C3-182

D6-182 F7-182



VIEW D5-182 REPEATED FOR CLARITY PURPOSES.



VIEW D6-182

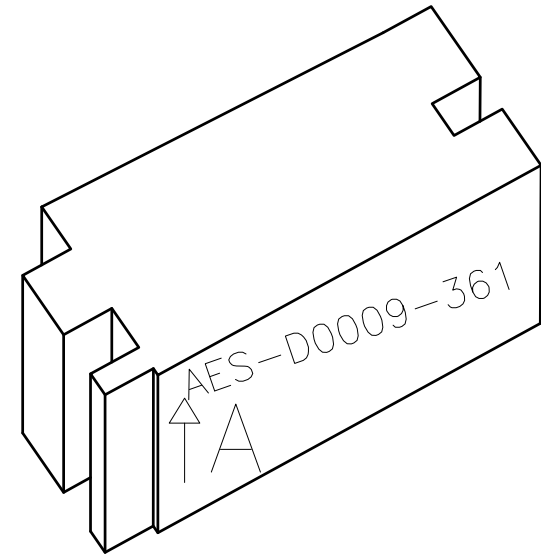
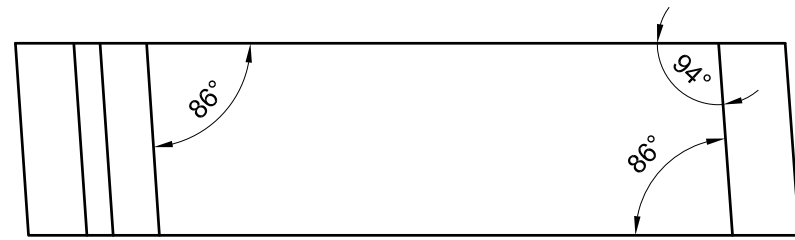
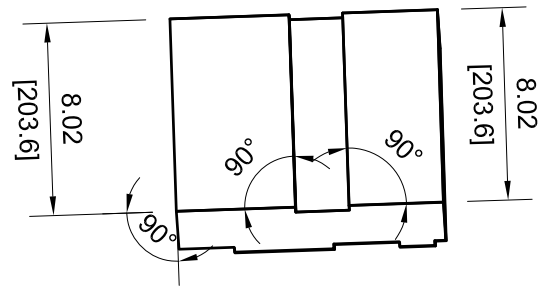


DRAWING NUMBER				
AES-D0009				
SIZE	SCALE	SHEET	OF	REVISION
A3	NONE	182	190	B

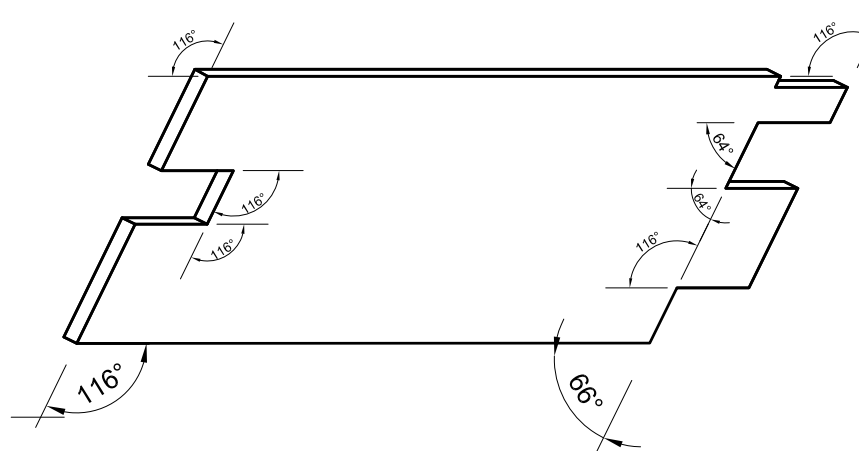
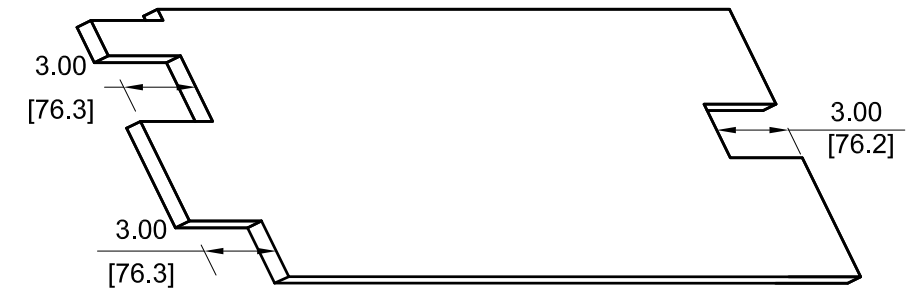
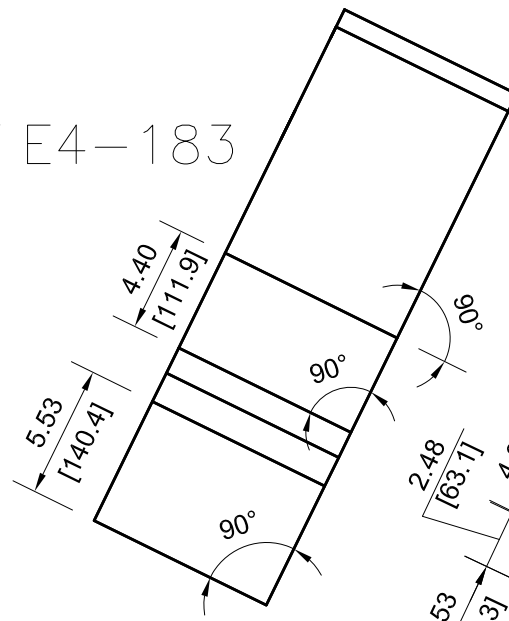
361

VIEW A4-183

A4-183 A3-183

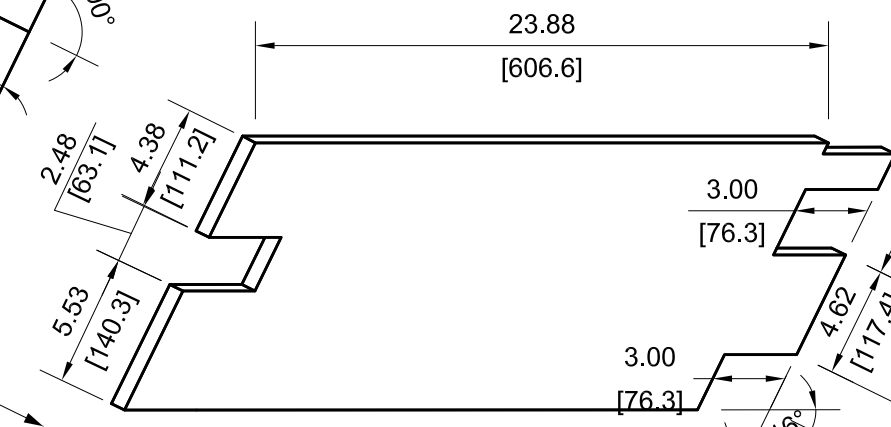


VIEW E4-183



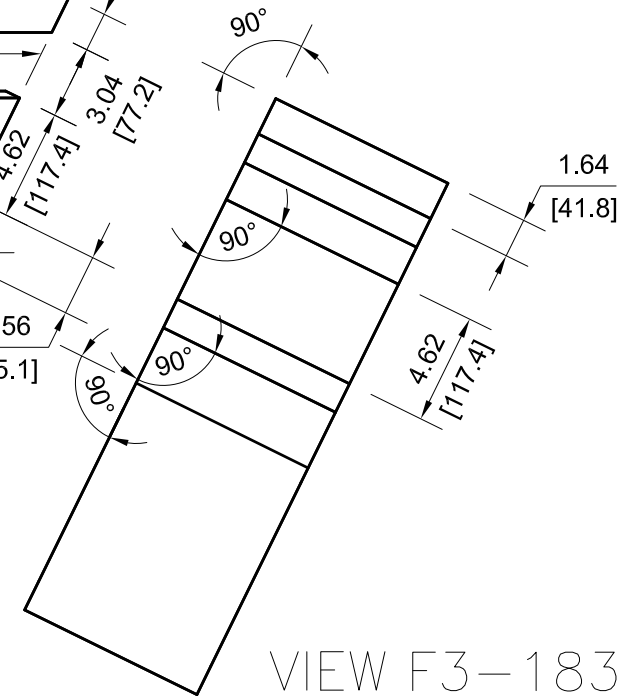
VIEW D6-183 REPEATED FOR CLARITY PURPOSES.

E4-183 C3-183

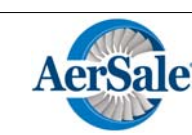


E6-183 F7-183

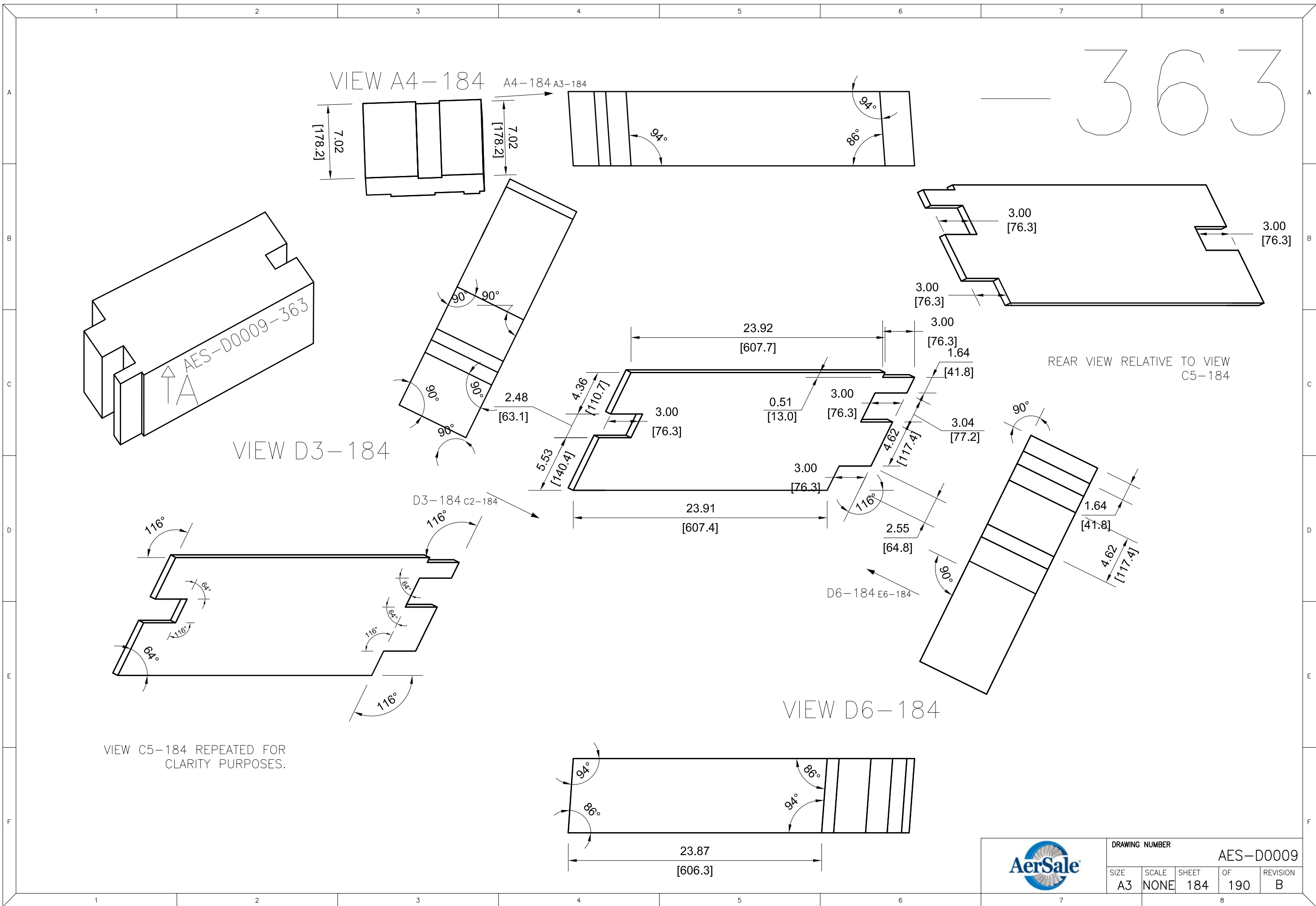
REAR VIEW RELATIVE TO VIEW D6-183




VIEW F3-183



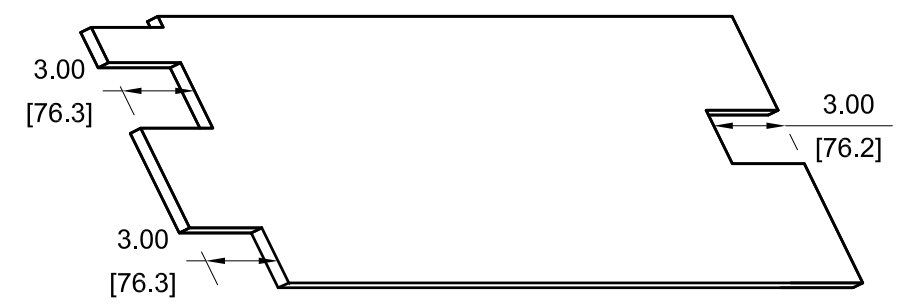
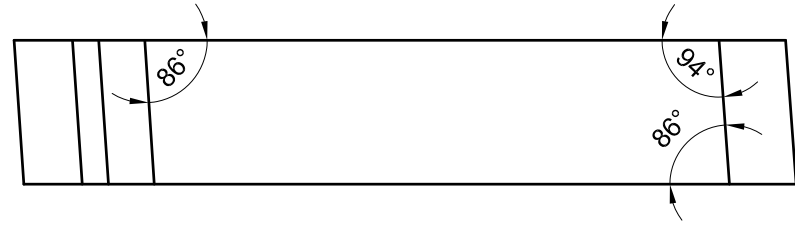
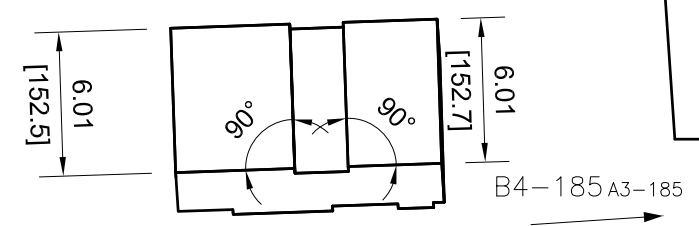
DRAWING NUMBER				
AES-D0009				
SIZE	SCALE	SHEET	OF	REVISION
A3	NONE	183	190	B



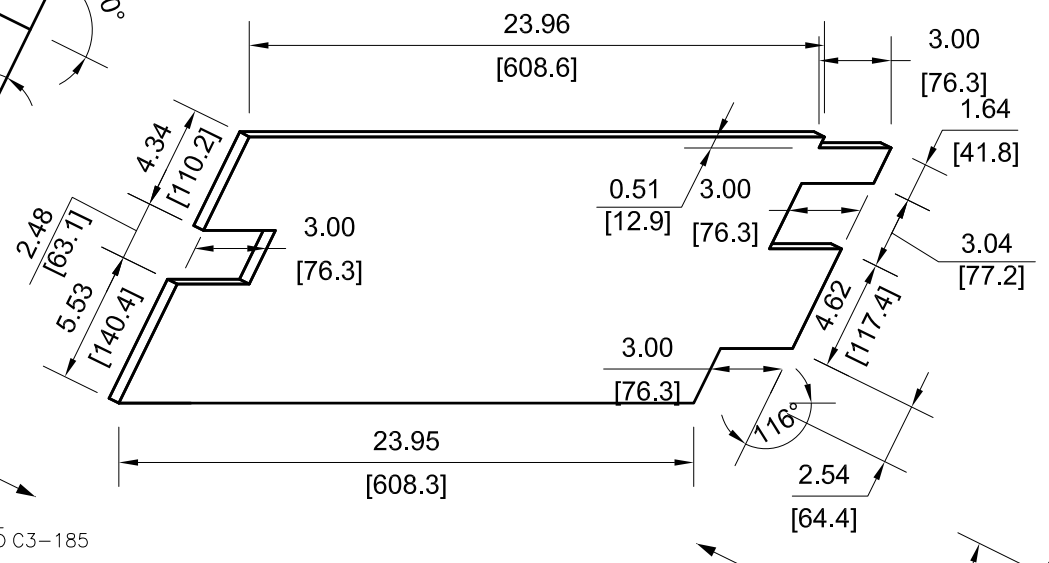
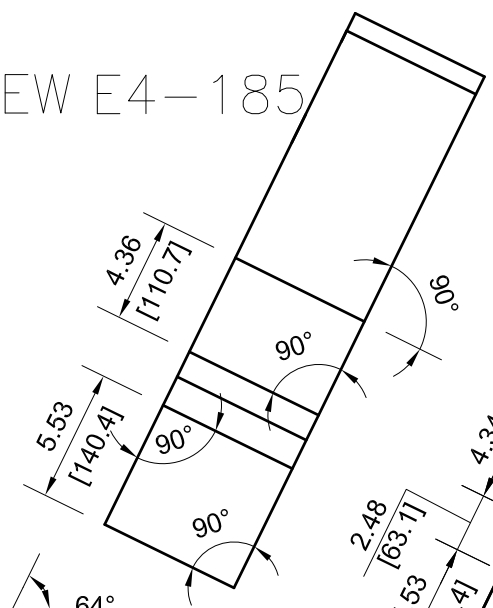
		DRAWING NUMBER			
		AES-D0009			
SIZE	SCALE	SHEET	OF	REVISION	
A3	NONE	184	190	B	

— 365

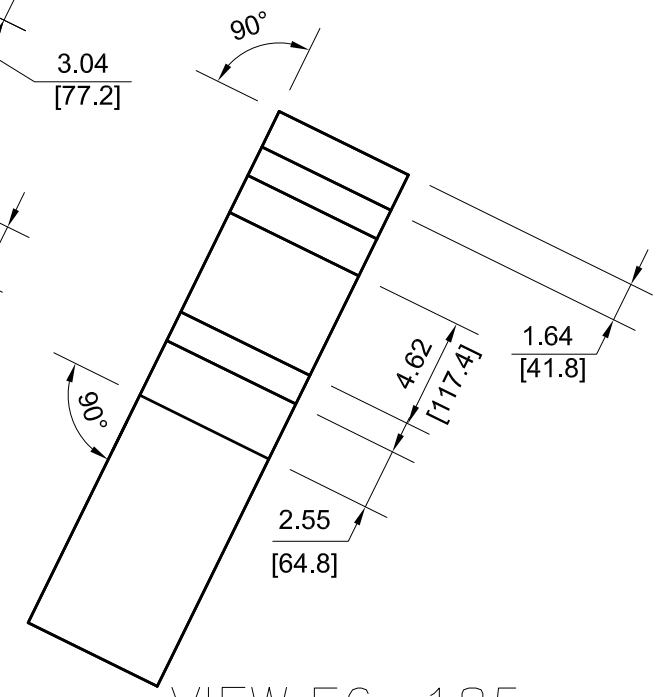
VIEW B4-185



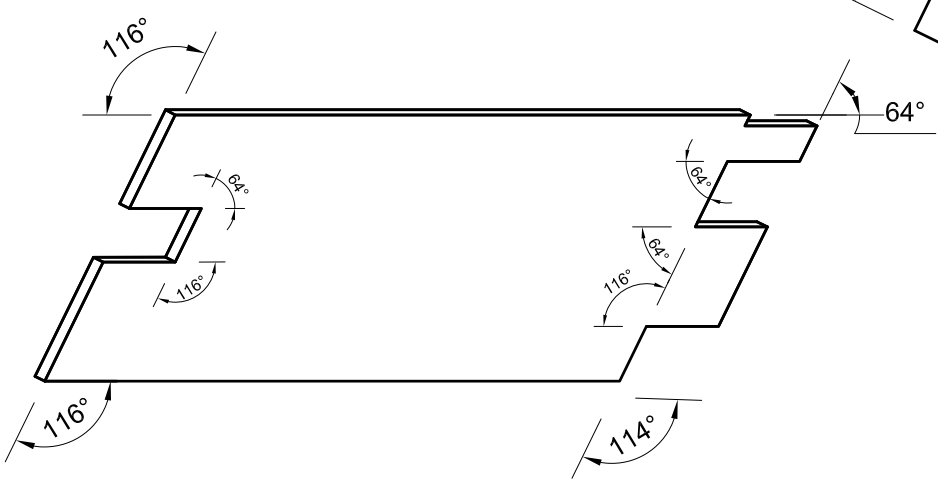
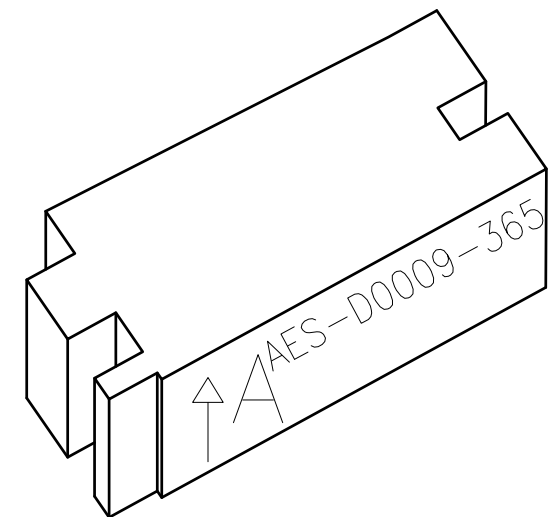
VIEW E4-185



REAR VIEW RELATIVE TO VIEW D5-185



VIEW E6-185

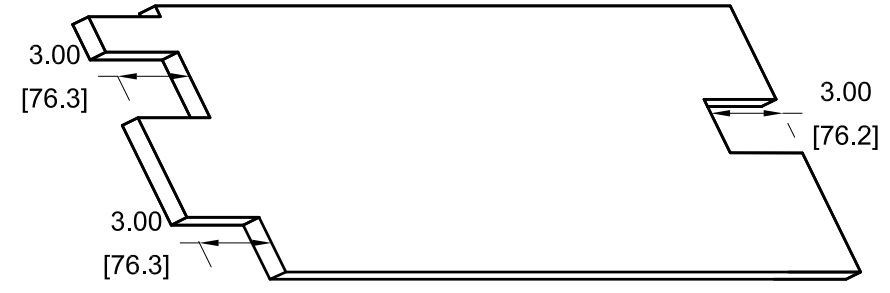
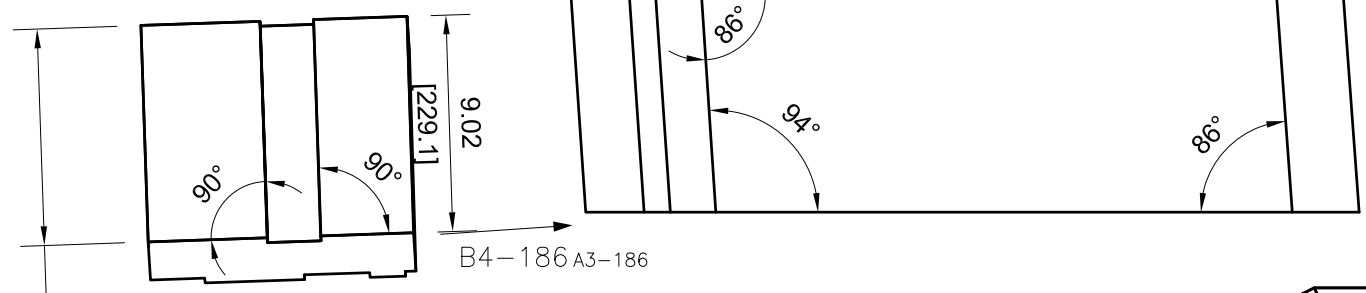


VIEW D5-185 REPEATED FOR CLARITY PURPOSES.

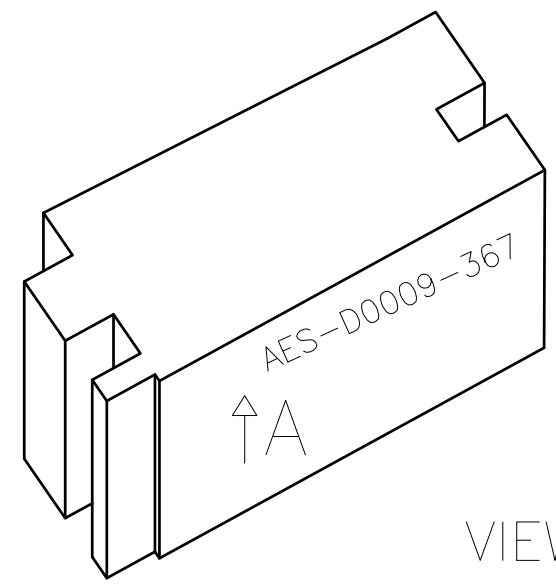
	DRAWING NUMBER				
	AES-D0009				
SIZE	SCALE	SHEET	OF	REVISION	
A3	NONE	185	190	B	

367

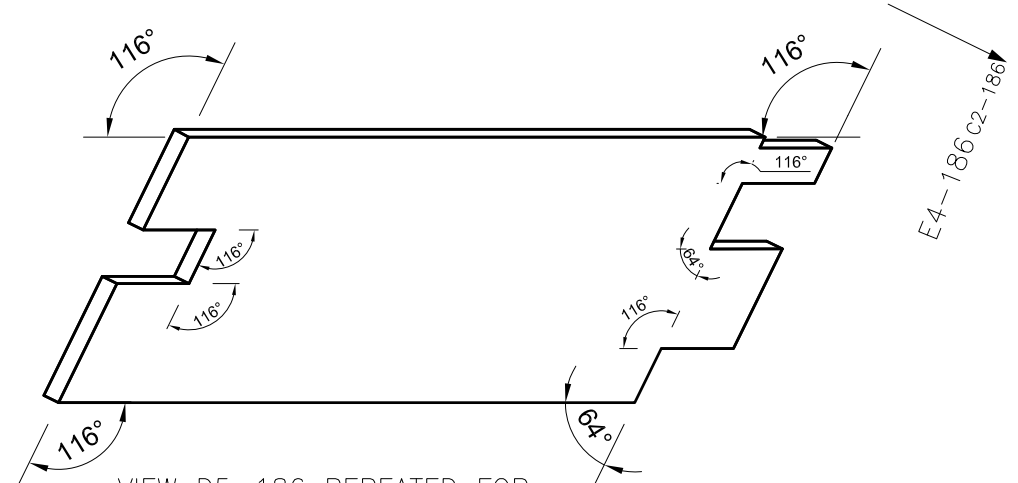
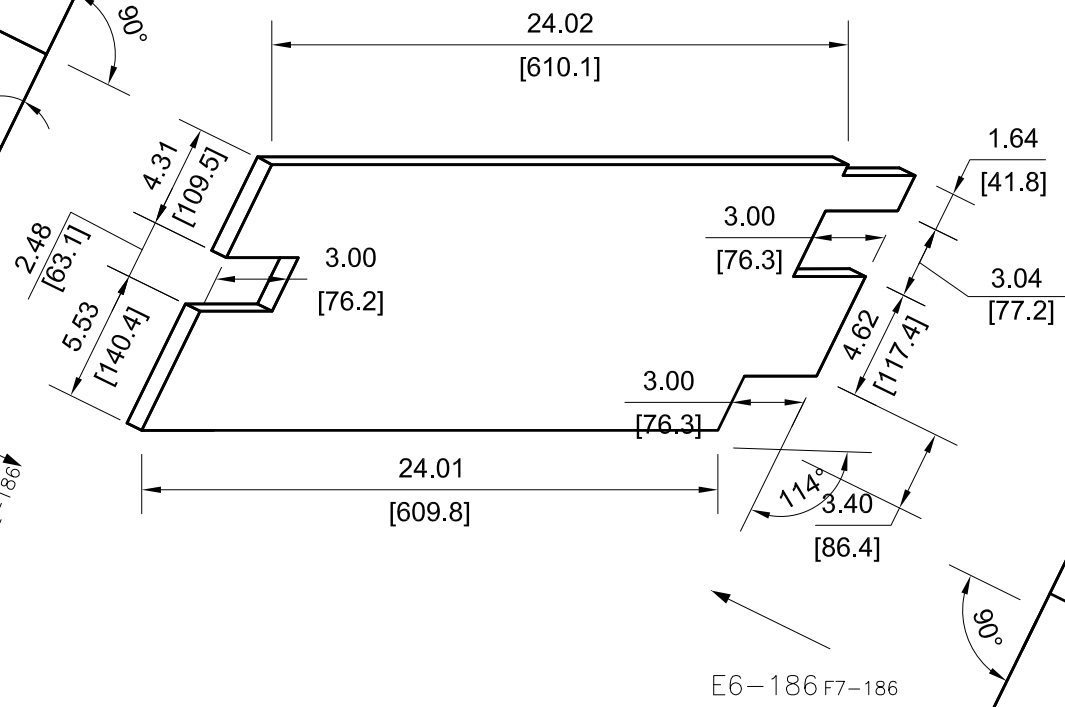
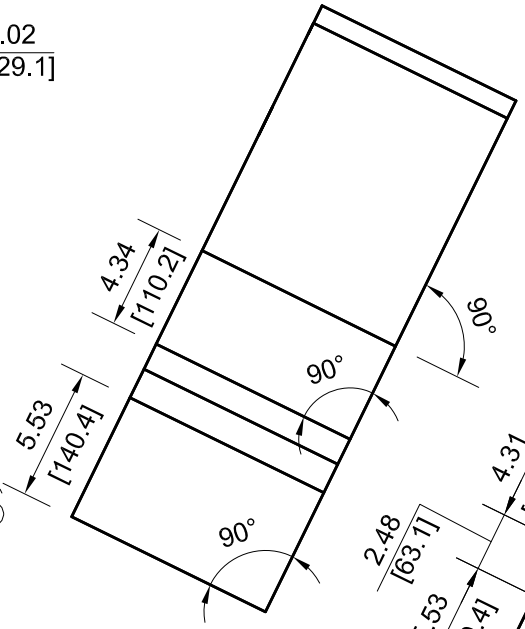
VIEW B4-186



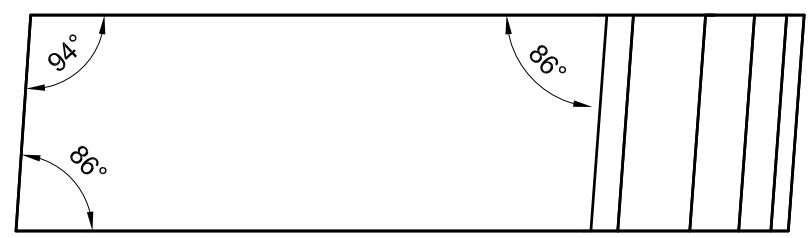
REAR VIEW RELATIVE TO VIEW D5-186



VIEW E4-186



VIEW D5-186 REPEATED FOR CLARITY PURPOSES.



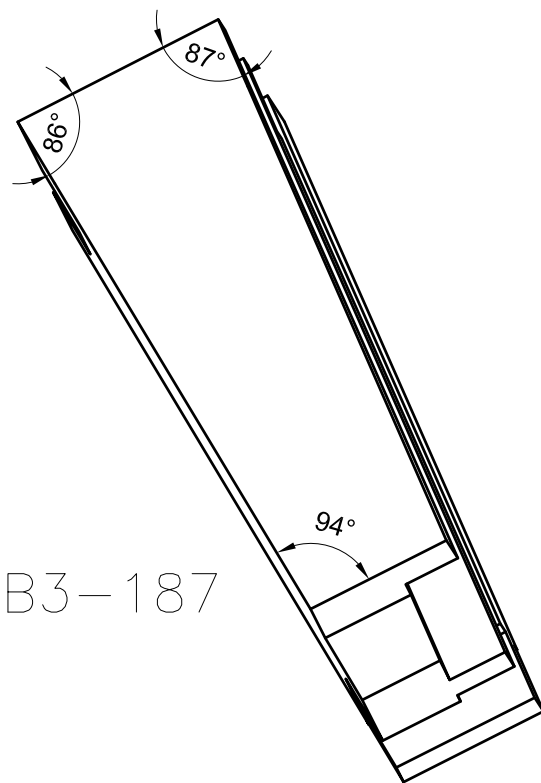
VIEW E6-186



DRAWING NUMBER				
AES-D0009				
SIZE	SCALE	SHEET	OF	REVISION
A3	NONE	186	190	B

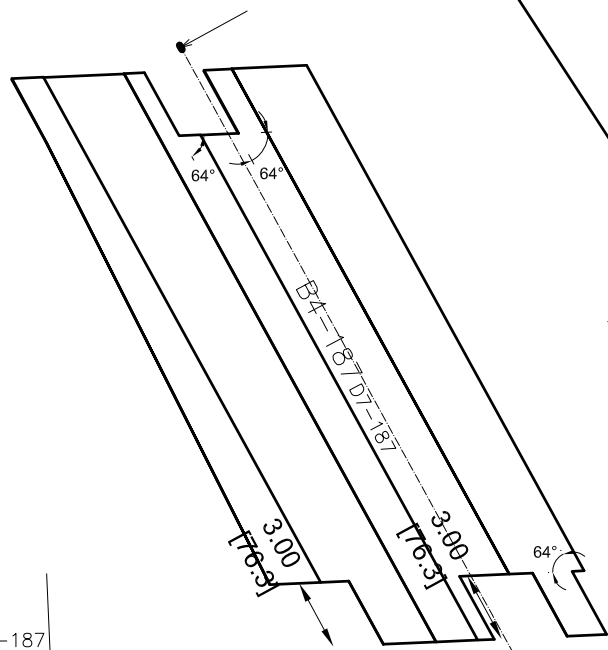
369

VIEW B3-187

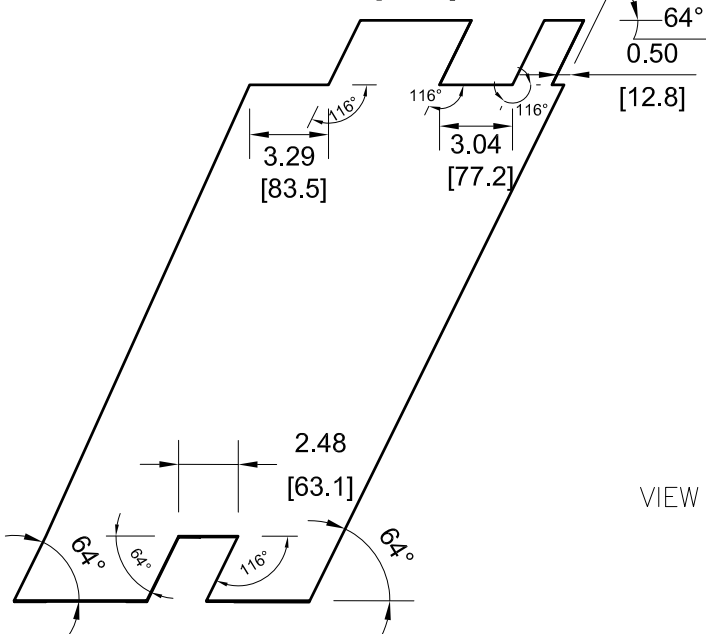
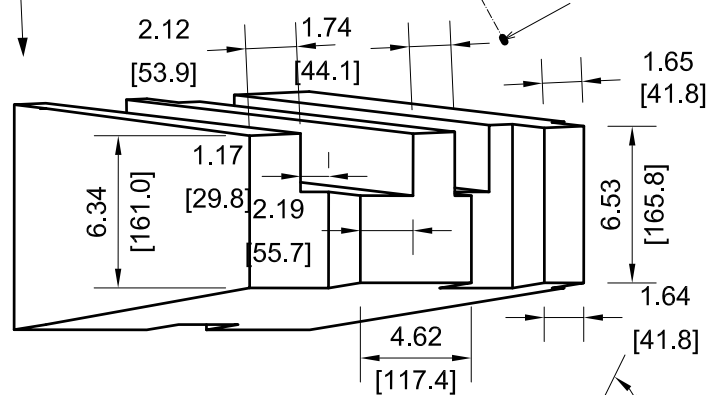


B3-187 D2-187

VIEW C3-187

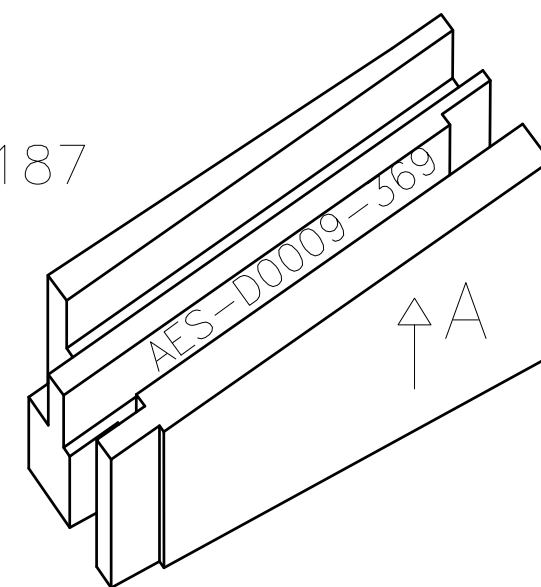
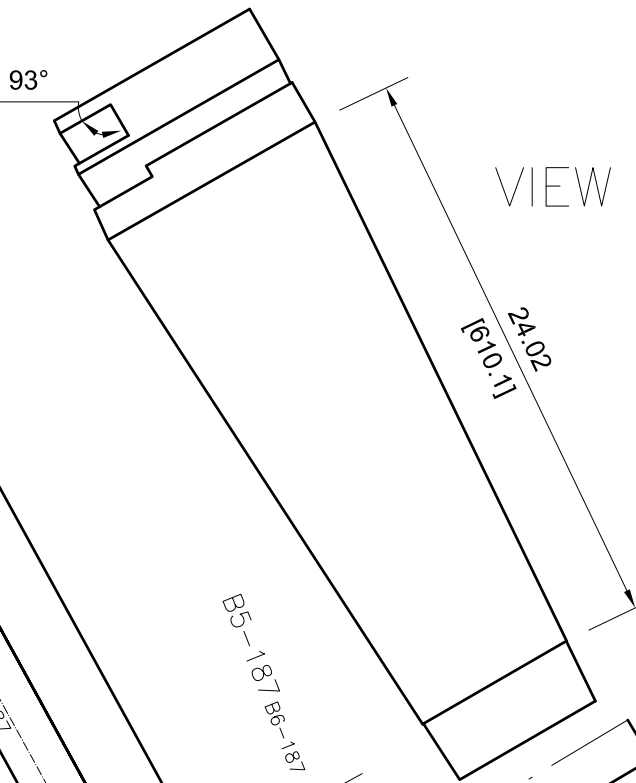


C3-187 A4-187

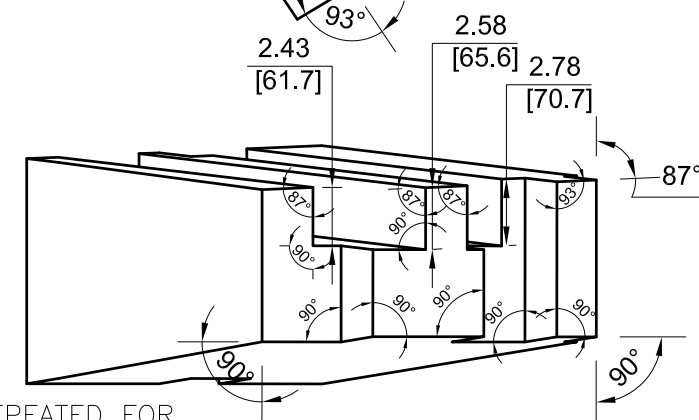


VIEW D4-187 REPEATED FOR CLARITY PURPOSES.

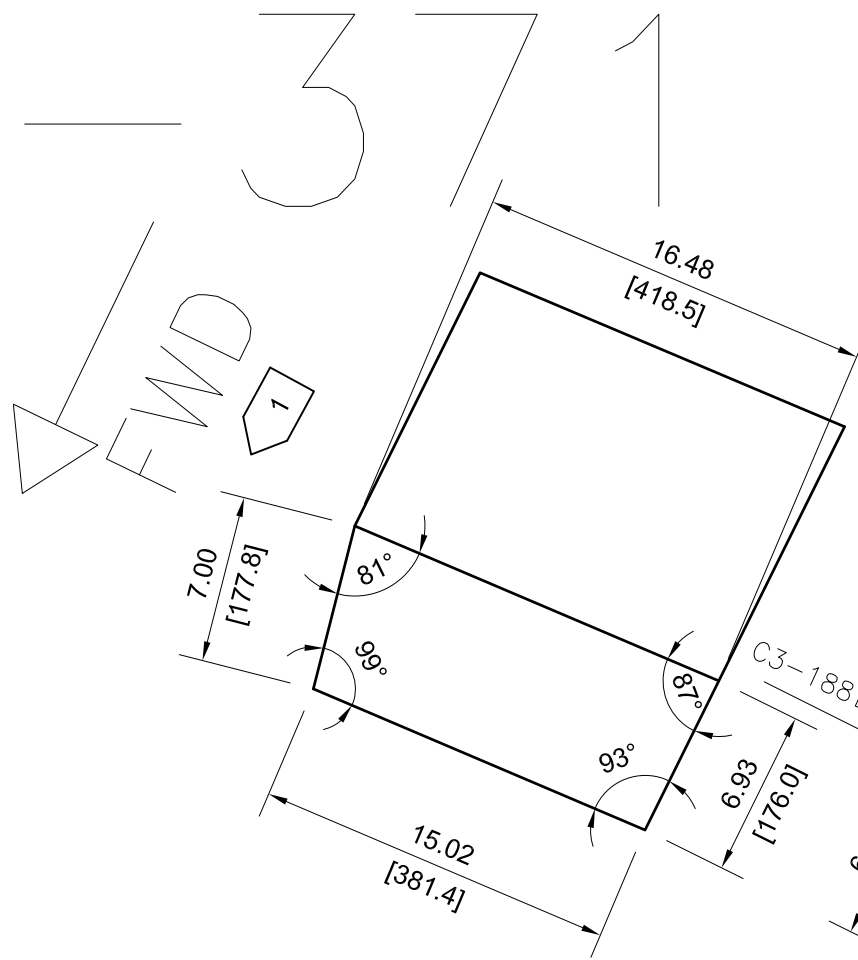
VIEW B5-187



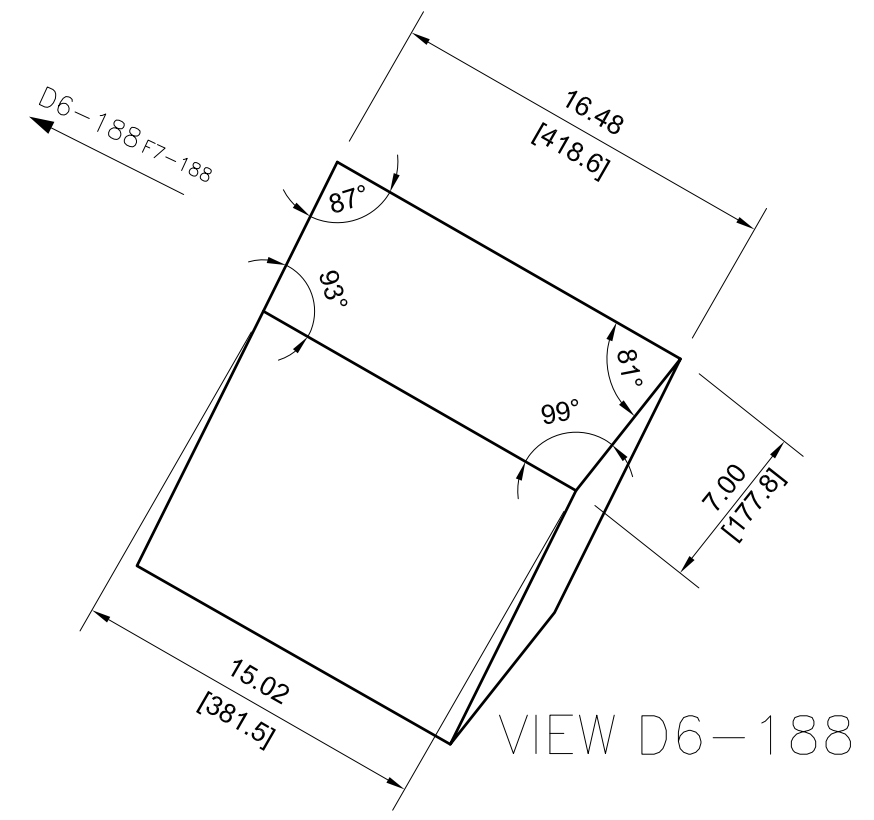
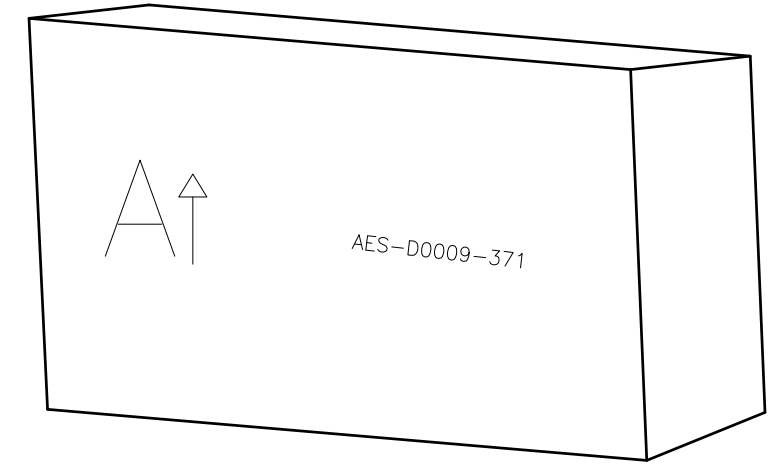
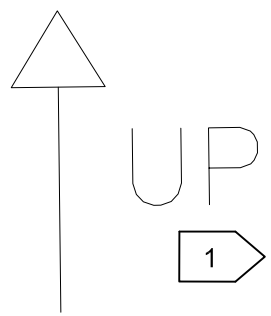
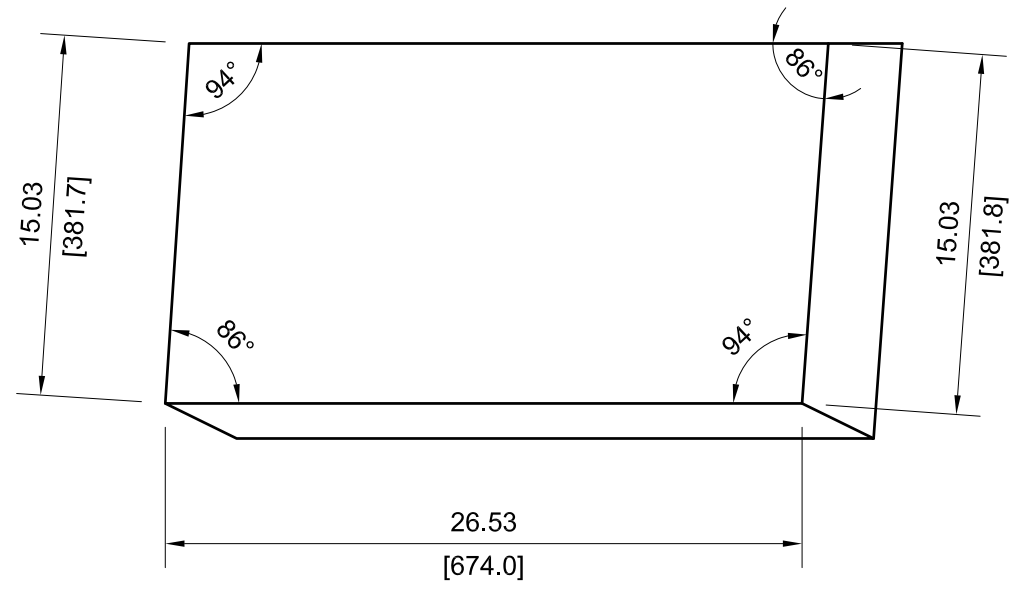
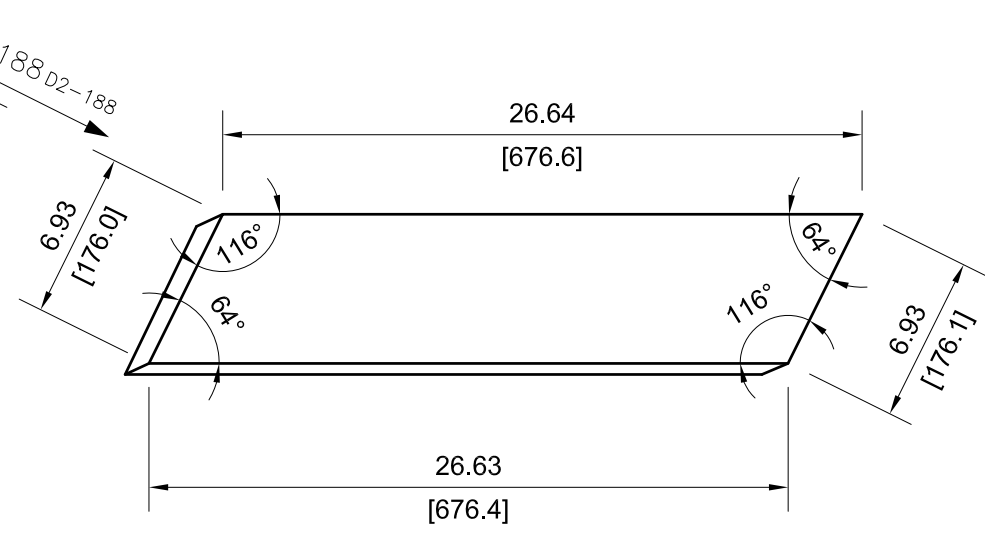
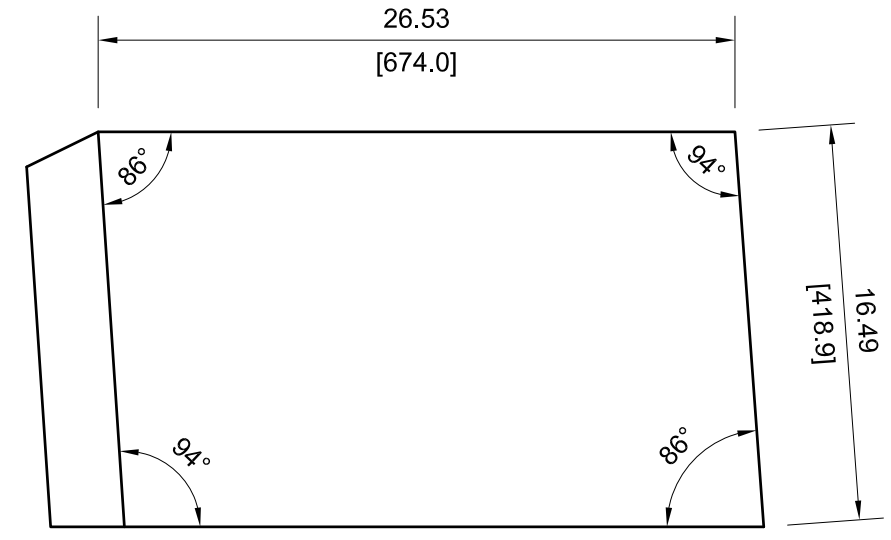
SECTION VIEW B4-187



DRAWING NUMBER				
AES-D0009				
SIZE	SCALE	SHEET	OF	REVISION
A3	NONE	187	190	B



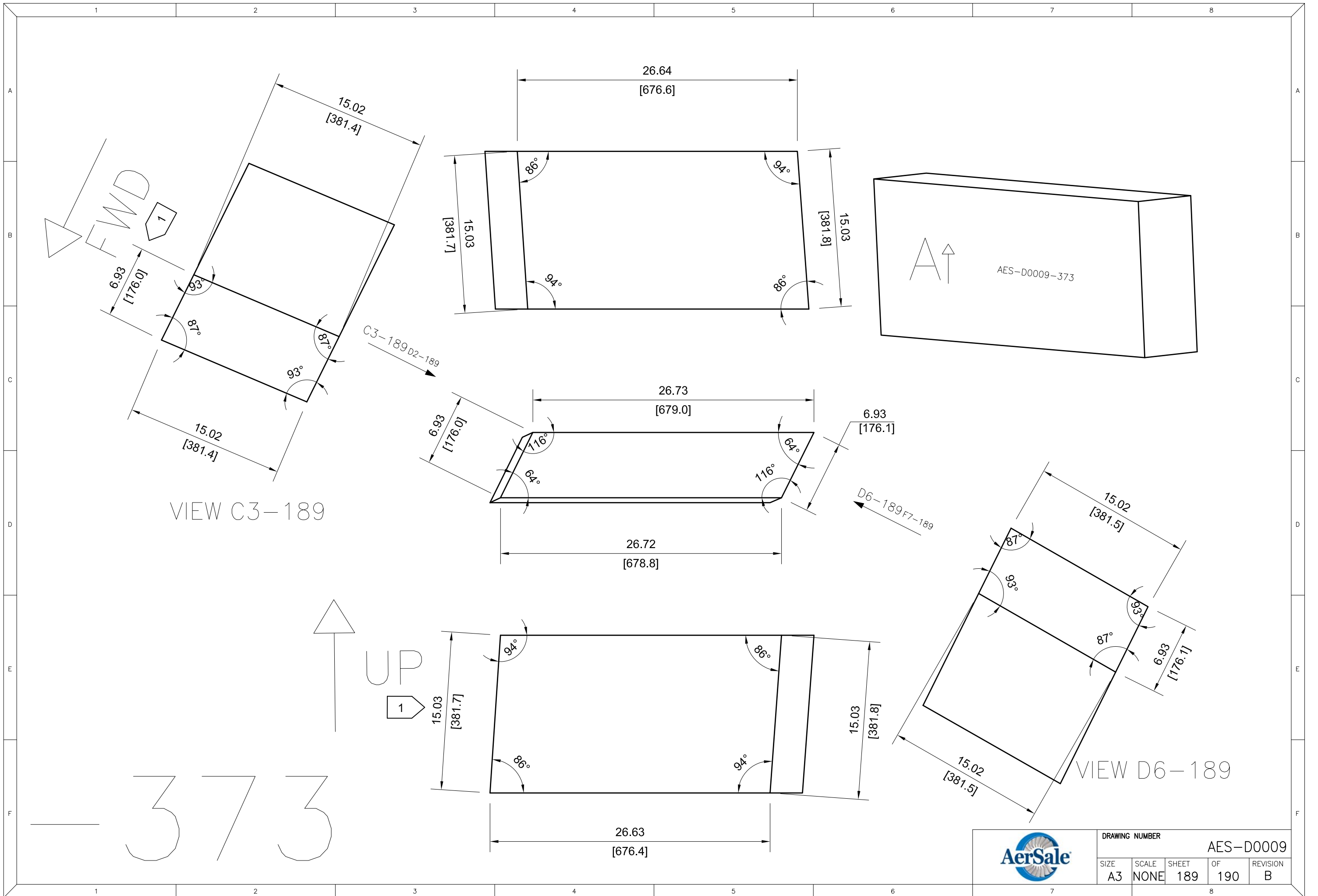
VIEW C3-188



VIEW D6-188



DRAWING NUMBER					AES-D0009	
SIZE	SCALE	SHEET	OF	REVISION		
A3	NONE	188	190	B		



VIEW C3-189

VIEW D6-189

373

UP

1

2

3

4

5

6

7

8

A

B

C

D

E

F

A

B

C

D

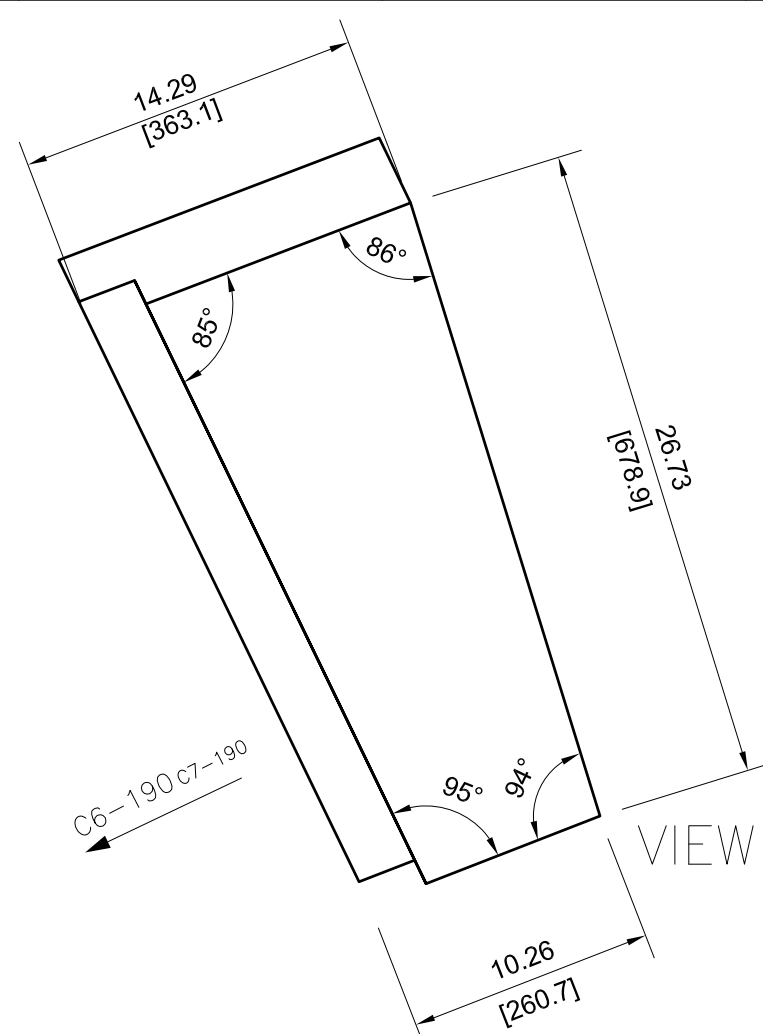
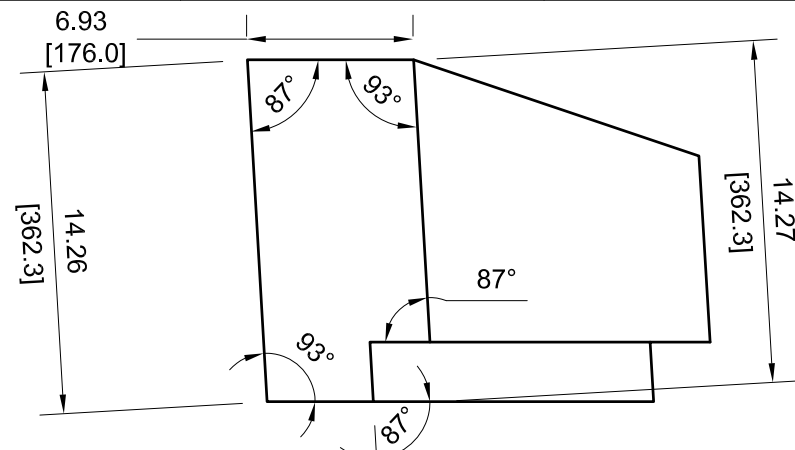
E

F

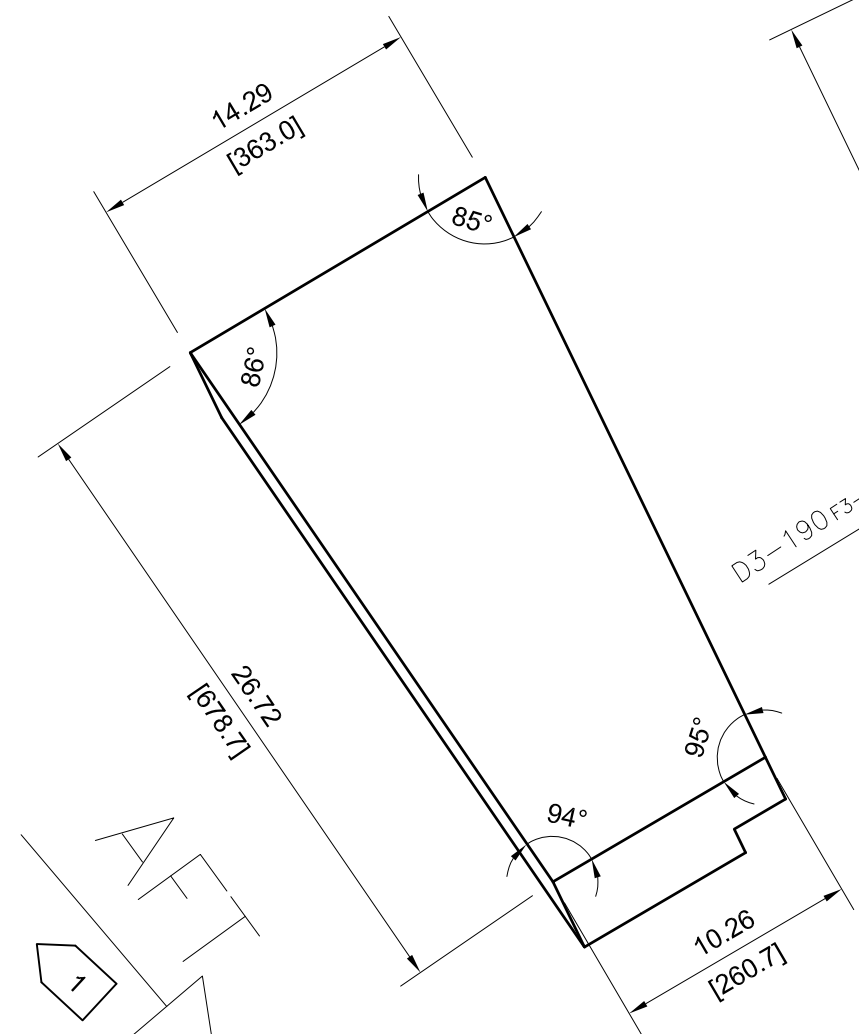


DRAWING NUMBER				
AES-D0009				
SIZE	SCALE	SHEET	OF	REVISION
A3	NONE	189	190	B

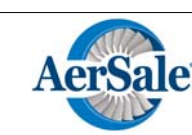
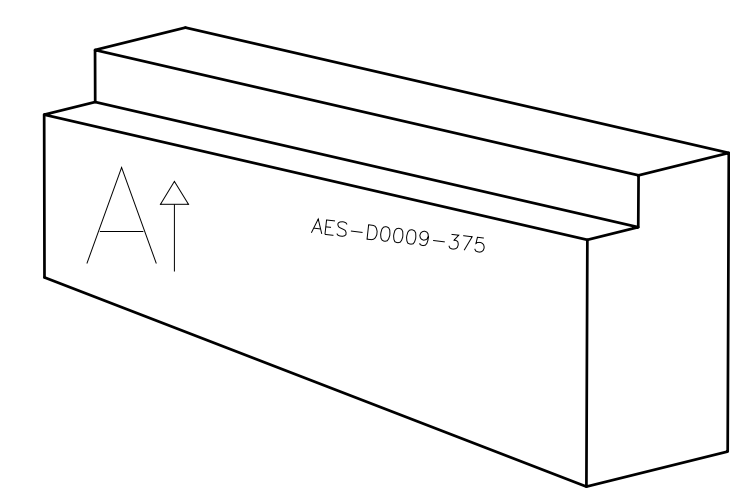
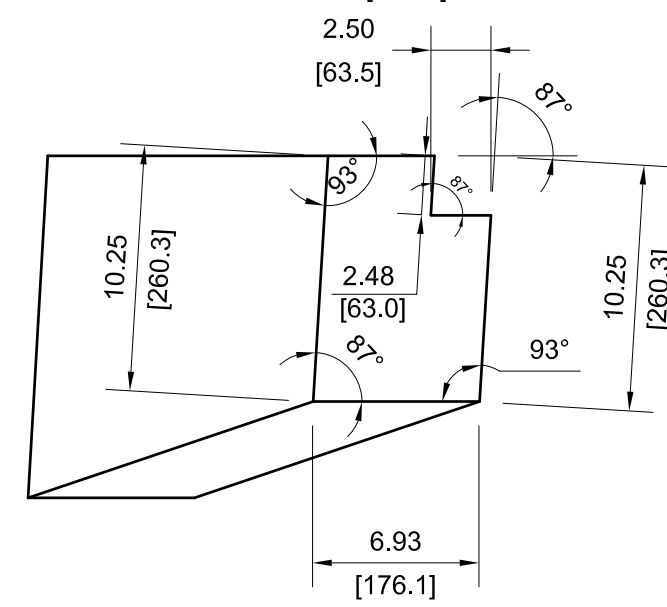
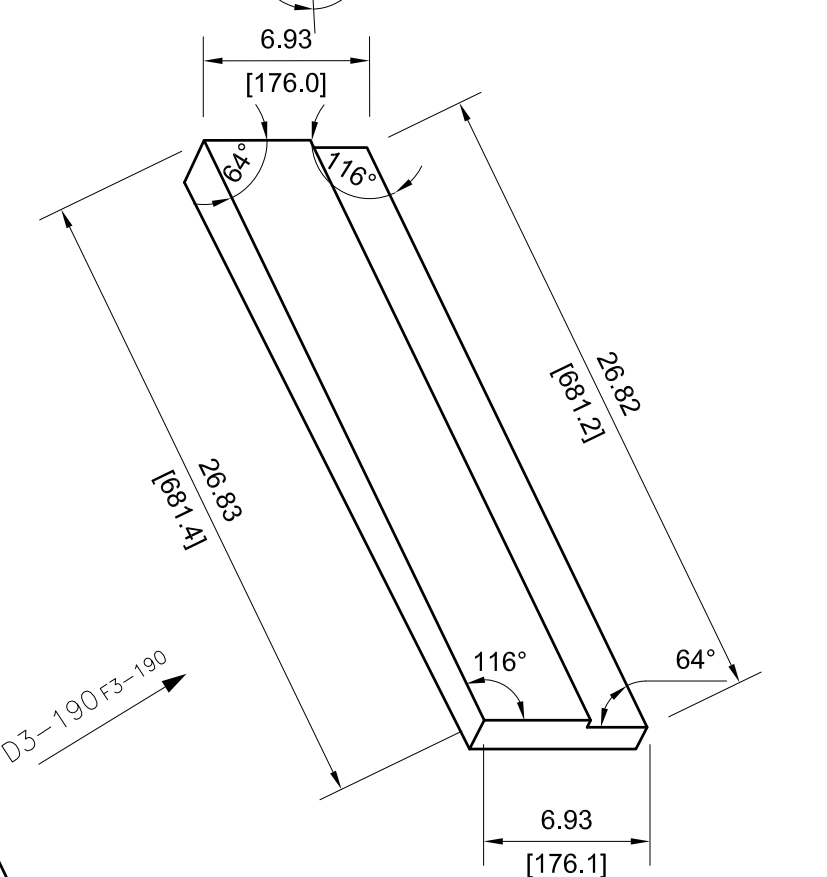
375



VIEW C6-190



VIEW D3-190



DRAWING NUMBER					AES-D0009	
SIZE	SCALE	SHEET	OF	REVISION		
A3	NONE	190	190	B		